



RESIN PARTS
FOR SCALE PLASTIC KITS

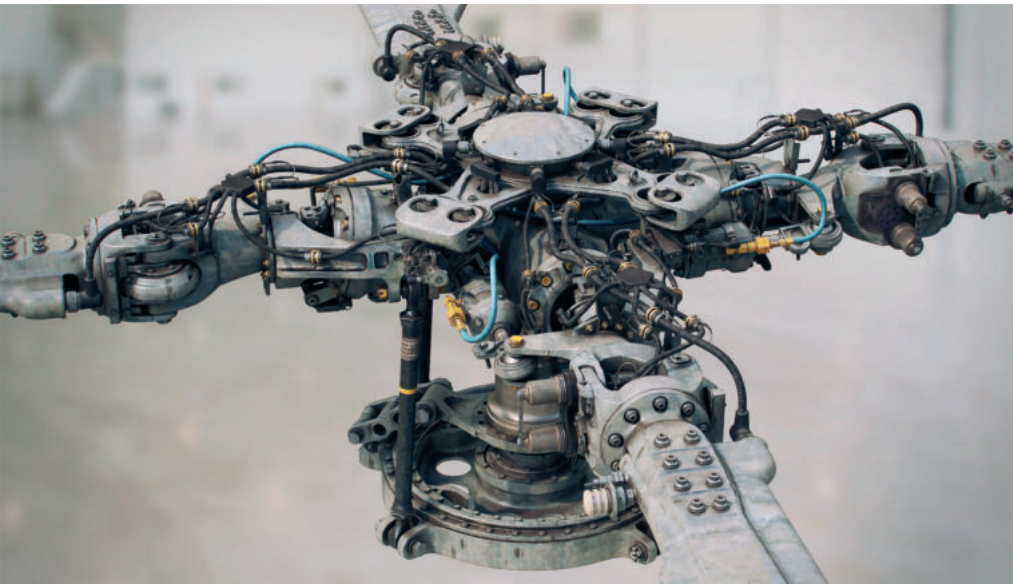
INSTRUCTION **RSU48-0175**

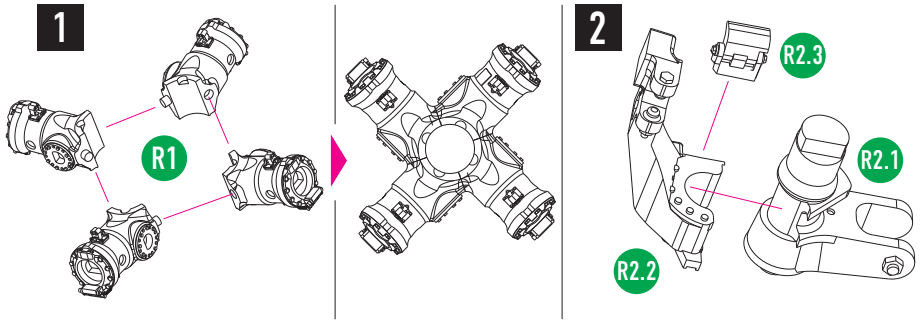
YOU CAN FIND INSTRUCTIONS
IN PDF FORMAT ON THE WEBSITE

RESKIT-MODELS.COM

MAIN ROTOR

SH-60B, SH-60F, HH-60H, MH-60R, MH-60S

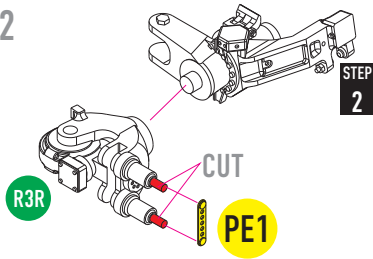




BLADES IN FLY POSITION

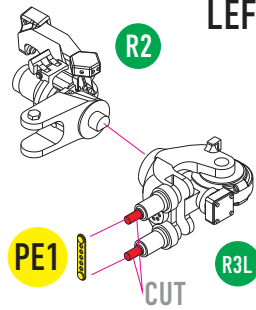
2.A RIGHT SIDE

X2

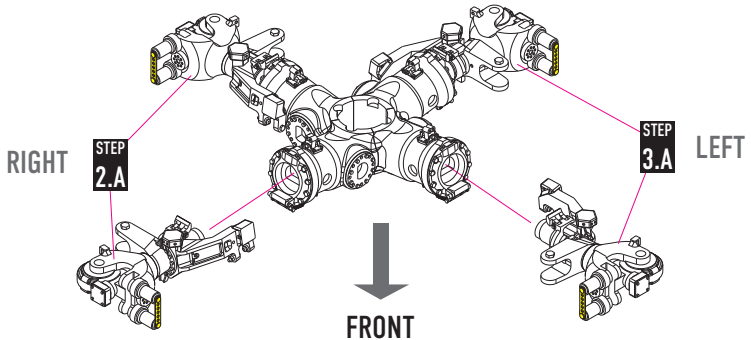


LEFT SIDE 3.A

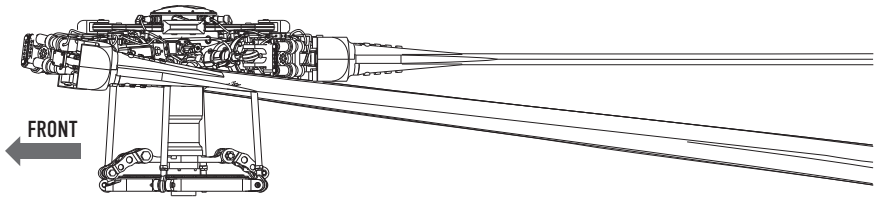
X2



4.A

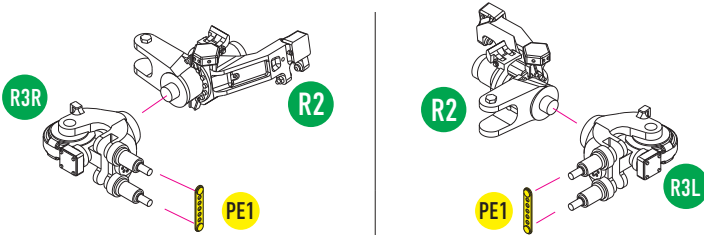


BLADES IN FOLD POSITION



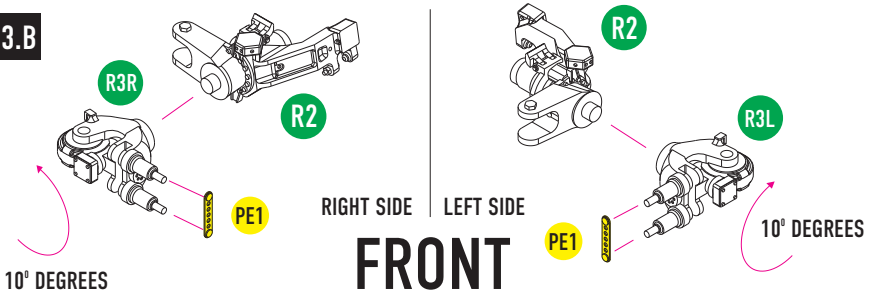
2.B

RIGHT SIDE **REAR** LEFT SIDE



3.B

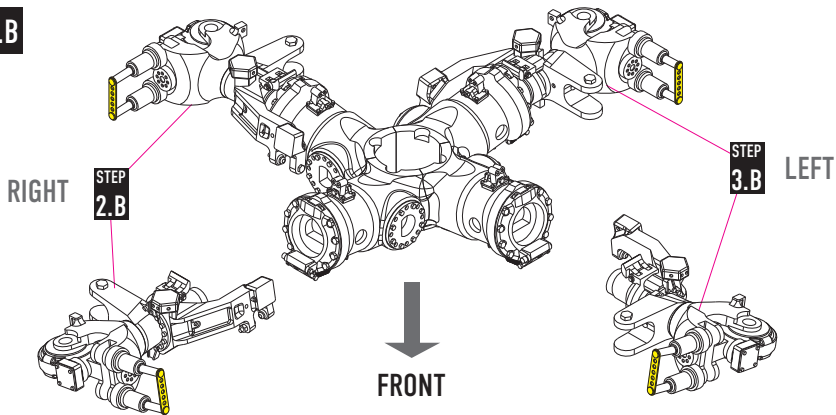
RIGHT SIDE LEFT SIDE



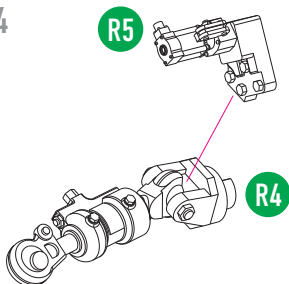
10° DEGREES

FRONT

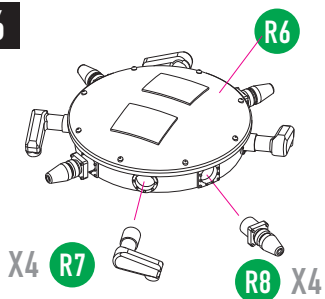
4.B



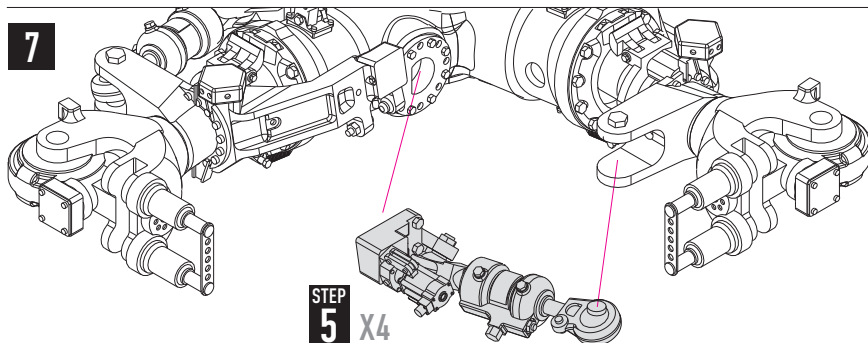
5 X4



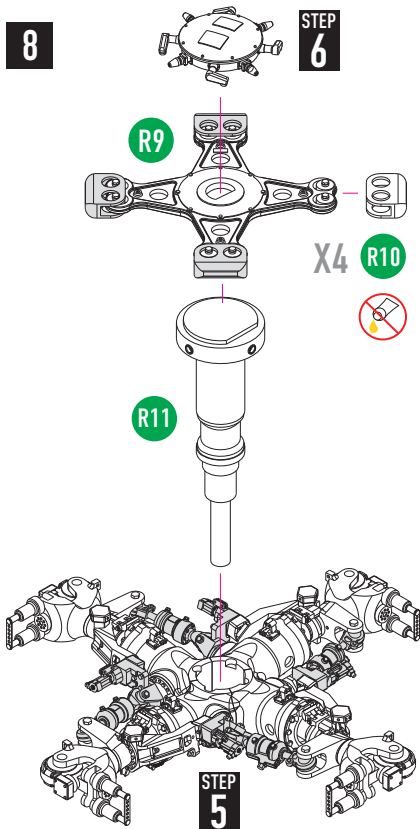
6



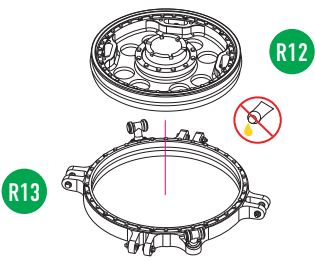
7



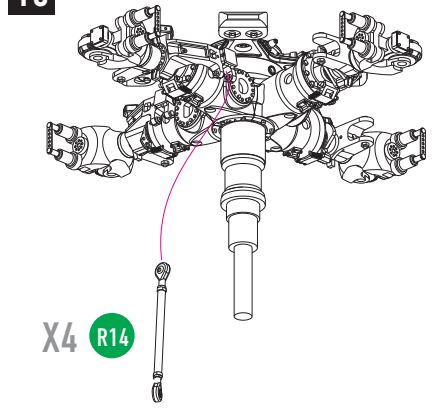
8



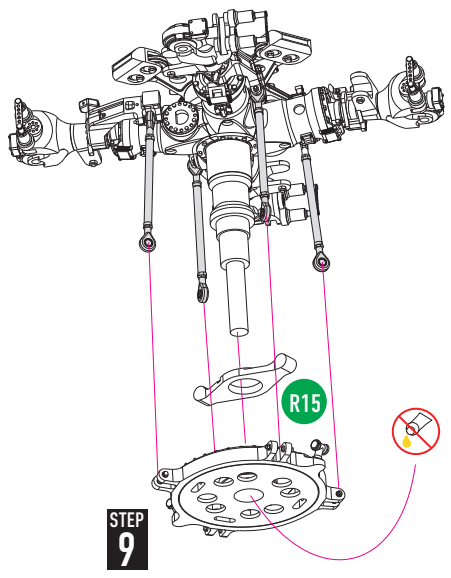
9



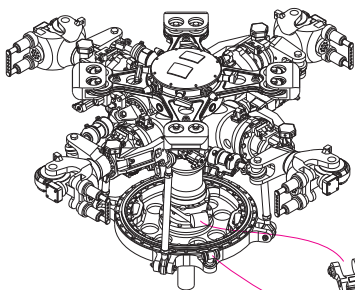
10



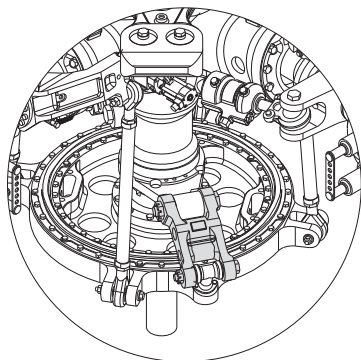
11



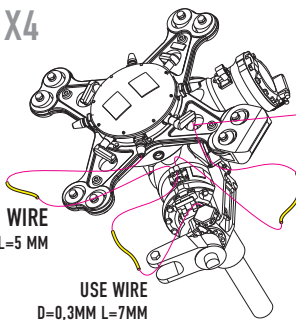
12



R16 X2



13 X4



USE WIRE
D=0,3MM L=5 MM

USE WIRE
D=0,3MM L=7MM

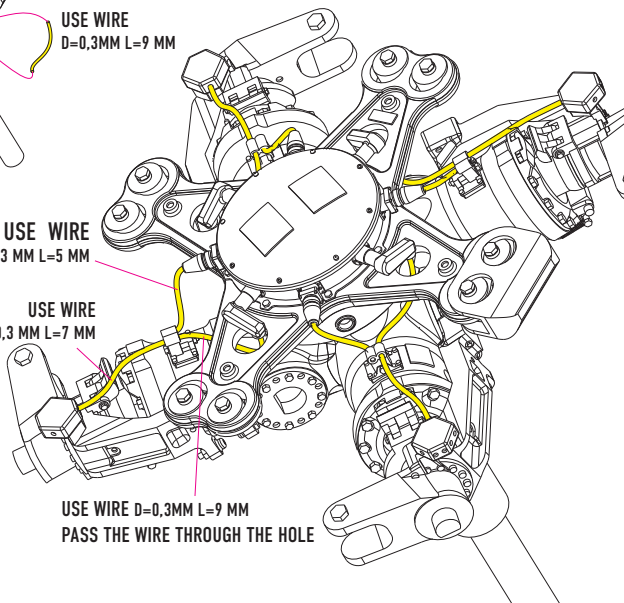
PASS THE WIRE
THROUGH
THE HOLE

USE WIRE
D=0,3MM L=9 MM

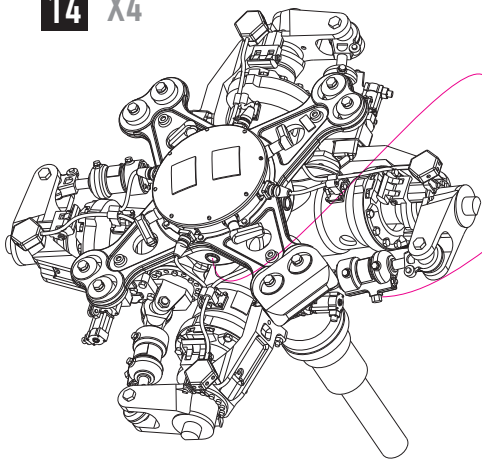
USE WIRE
D=0,3 MM L=5 MM

USE WIRE
D=0,3 MM L=7 MM

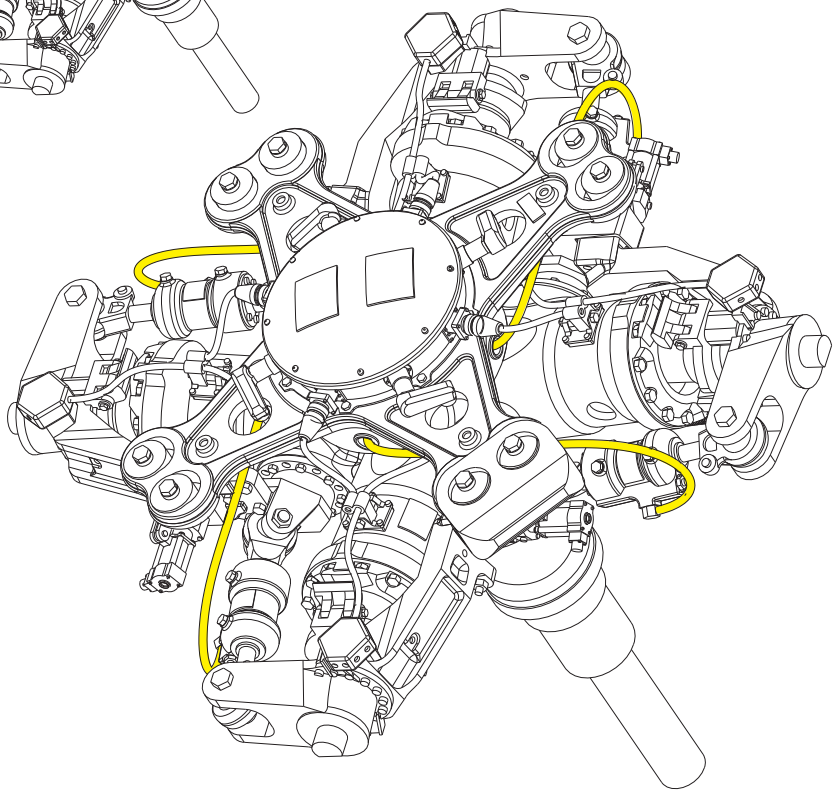
USE WIRE D=0,3MM L=9 MM
PASS THE WIRE THROUGH THE HOLE



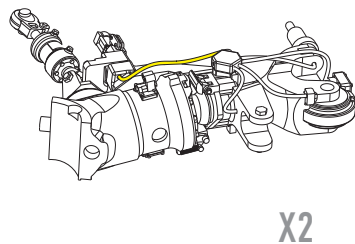
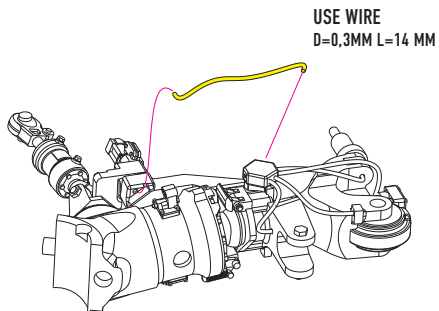
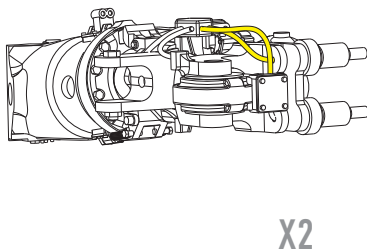
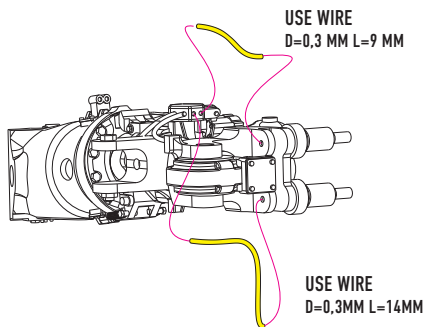
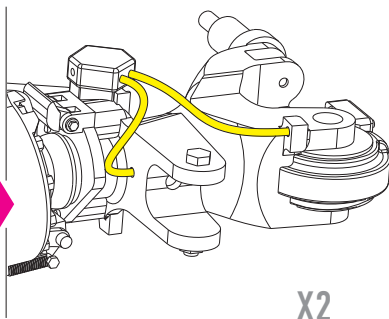
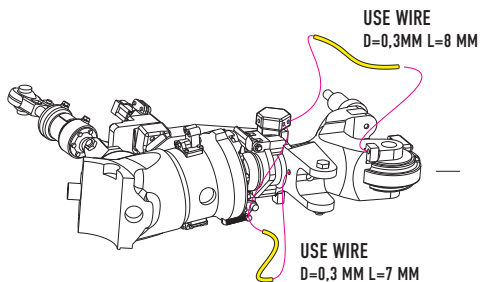
14 X4



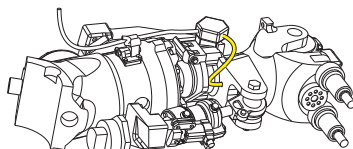
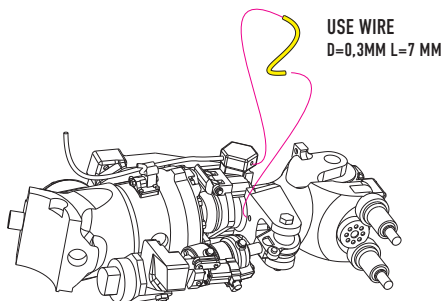
USE WIRE
D=0,3 MM L=22 MM



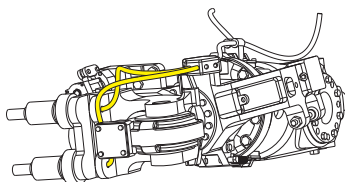
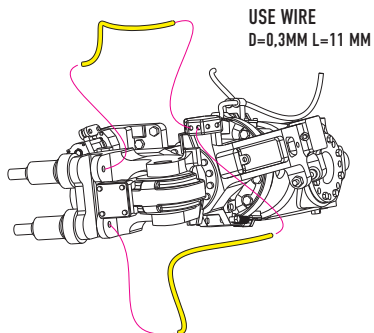
15 FOR RIGHT SIDE



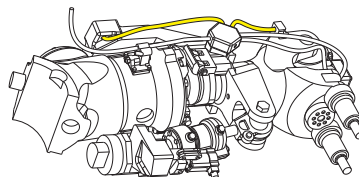
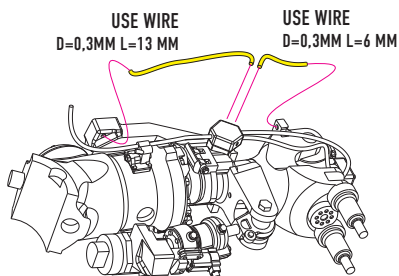
16 FOR LEFT SIDE



X2

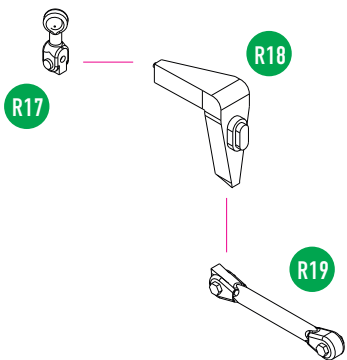


X2

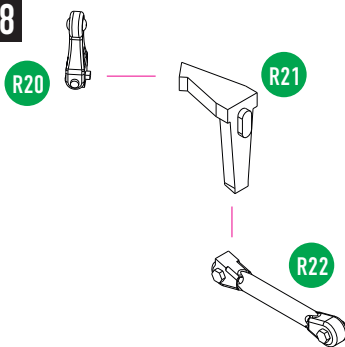


X2

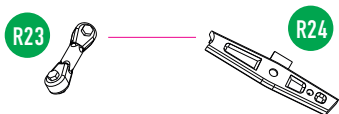
17



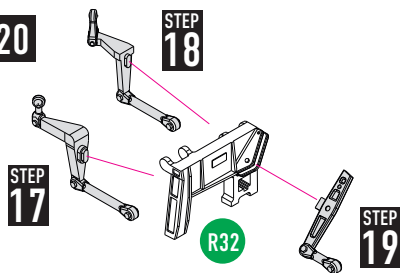
18



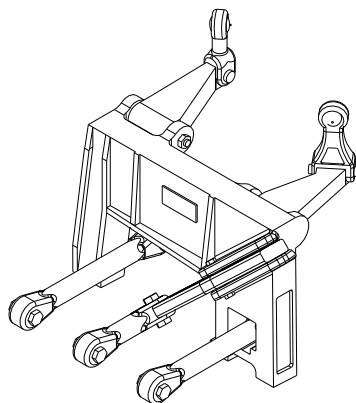
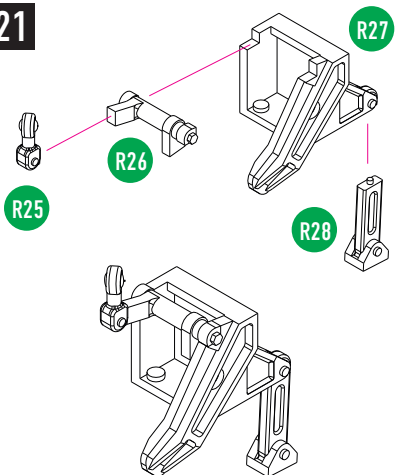
19



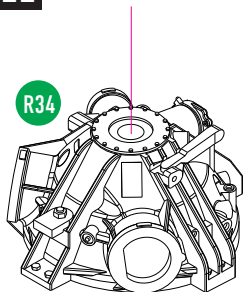
20



21



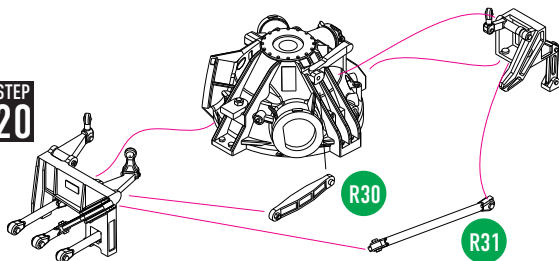
22 DRILL D=2.5-2.6MM



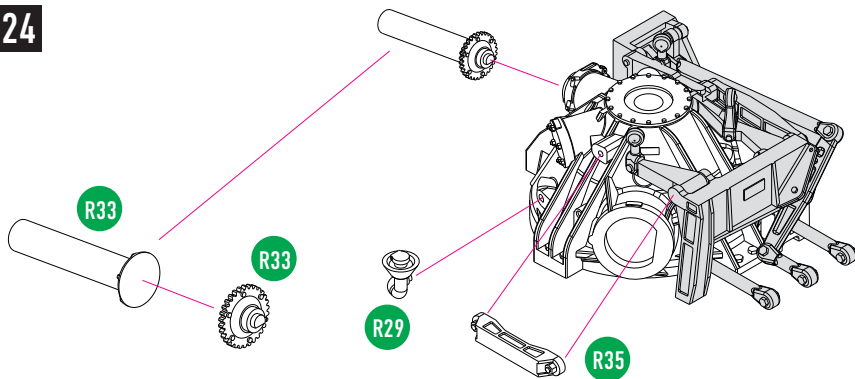
23

STEP 20

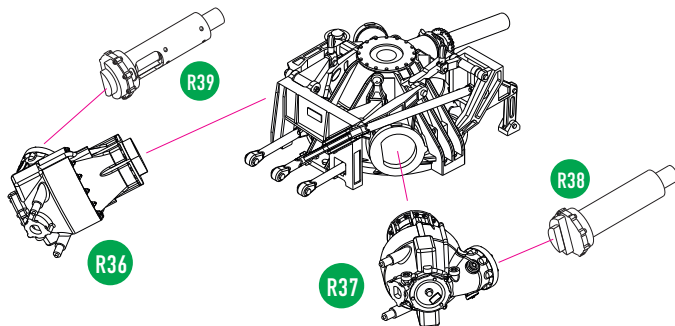
STEP 21



24

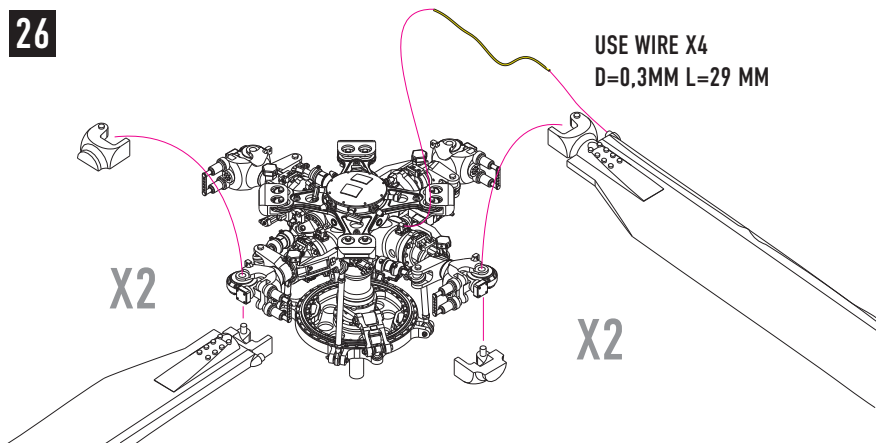


25



26

USE WIRE X4
D=0,3MM L=29 MM



27

