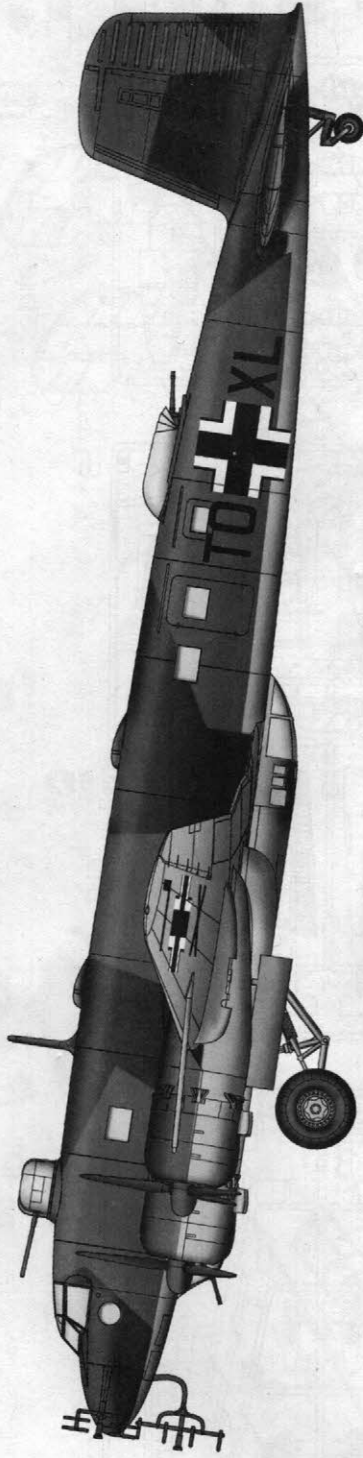


1/72 Scale

ITEM NO.:01639



# FW 200C-8 Condor

德国FW 200C-8“秃鹰”

## READ BEFORE ASSEMBLY:

- This kit is not recommended for inexperienced modelers or for children under 14 years of age
- Study and understand these instructions thoroughly before beginning assembly
- When needed, remove photo-etch parts carefully using a modeling knife or photo etch sprue cutter, being careful not to damage or lose small parts.
- Take extra care in handling photo etch parts in order to avoid injury
- Apply instant cement sparingly to photo etch parts where instructed

- Tools recommended(not included in kit):Plastic and instant cements,sprue cutters,long nose pliers,,modeling knife, small files, tweezers, pin vise & scissors. Soft cloth and sandpaper will also assist in construction
- Glue and paint are not included in the kit. Use plastic cement and hobby paints only. Color guide for purchasing paint is included in the kit.
- Keep out of reach of small children. They must not be allowed to ingest small parts or handle plastic bags in any way.

## 装配之前仔细阅读

- 小心用模型锉刀锉平所有零件表面的注射端口。
- 小心用刀片切下蚀刻片零件，不要遗失小零件。
- 用强力快干胶水粘合蚀刻片零件和金属轴。过量的快干胶水使用可能导致可动零件会粘住，小心涂胶。
- 取蚀刻片时应特别注意安全，防止利刃划伤手指。
- 某些零件表面需贴水上贴纸，请选择在装配的同时进行。
- 推荐模型工具(自备)：胶水，水口剪刀，长咀钳，刀片，锉刀，镊子钳，钻，剪刀，瞬间快干胶。
- 软布同砂纸同时也应该是必备工具。
- 请使用塑料胶水和油漆，模型内不含。
- 谨防小孩吸吮塑料零件，或者将塑料袋套在头上，制作时应将套材远离小孩接触。
- 本产品不适合14岁以下没有经验的模型爱好者。

## 水贴纸的使用:

1. 从水贴纸上剪下印花;
2. 将印花放入温水中浸10秒，然后放在干净布上。
3. 拿着印花纸基板将印花移到模型上;
4. 手指蘸水将印花移到适当的位置;
5. 用软布轻压印花直至水干，气泡消失。

## DECAL APPLICATION:

4. While still wet, decal can be adjusted for better fit on model by dampening it gently with your finger.
5. When placed in the proper position, gently press decal down with a soft cloth until excess water and air bubbles are gone.
6. Allow decal to dry completely before handling model



使用强力胶

Cyanoacrylate glue



锉平  
File / Sand



配重

Weight



钻孔

Make hole



切除

Cut / Remove



不涂胶水  
No cement



选择

Option



锉平

File / Sand



贴纸  
Decal



不涂胶水  
No cement



选择

Option



锉平

File / Sand



不涂胶水  
No cement



选择

Option



锉平

File / Sand



不涂胶水  
No cement



选择

Option



锉平

File / Sand



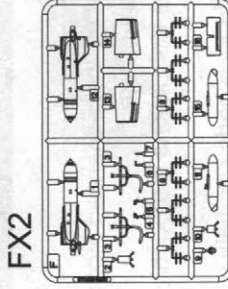
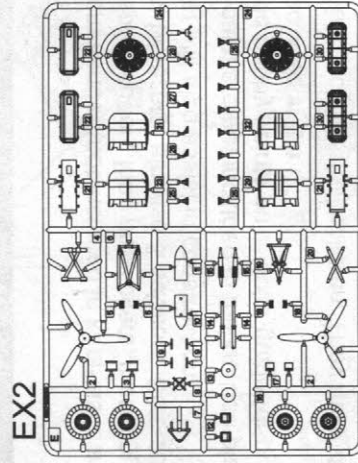
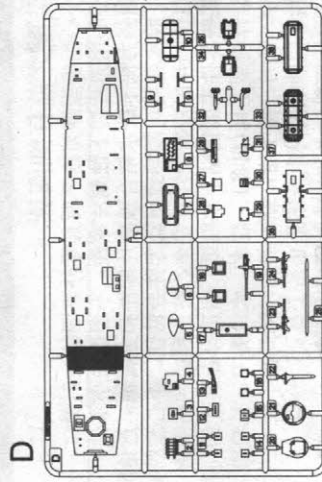
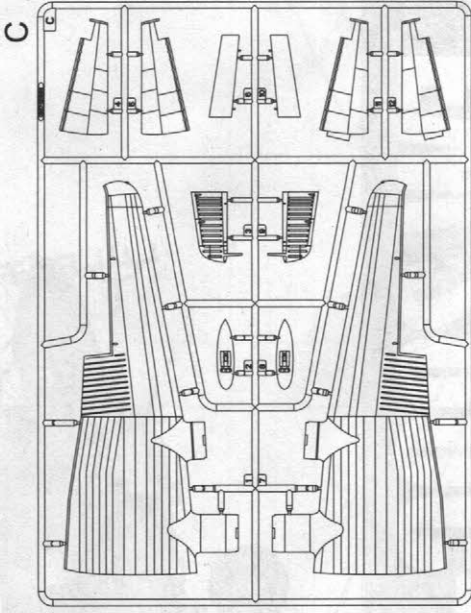
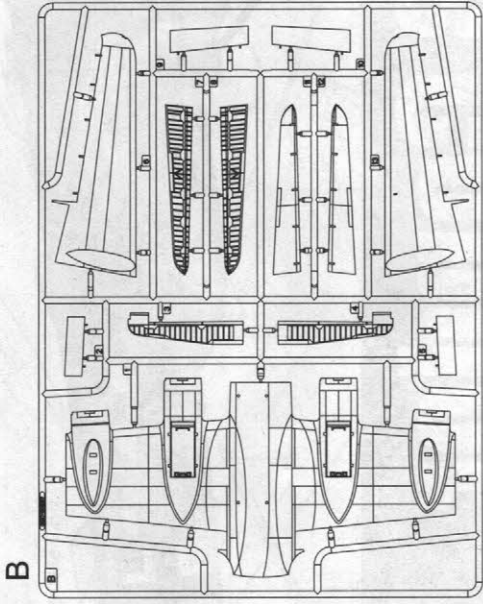
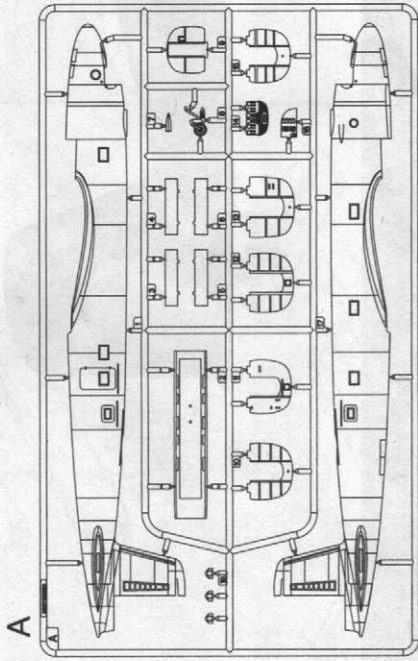
不涂胶水  
No cement



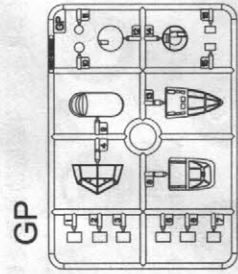
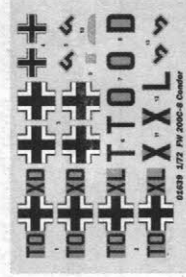
选择

Option

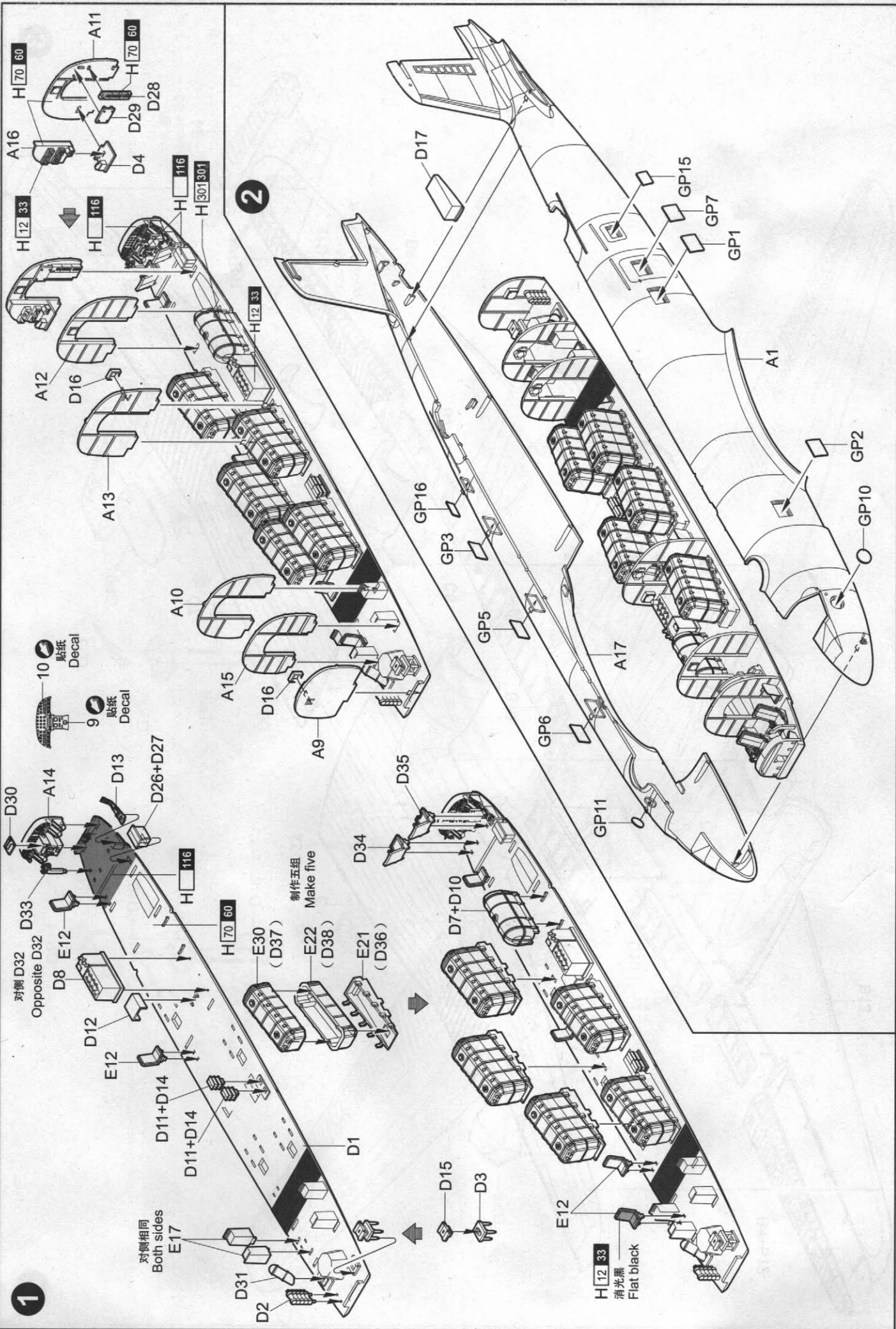
部品图  
Parts

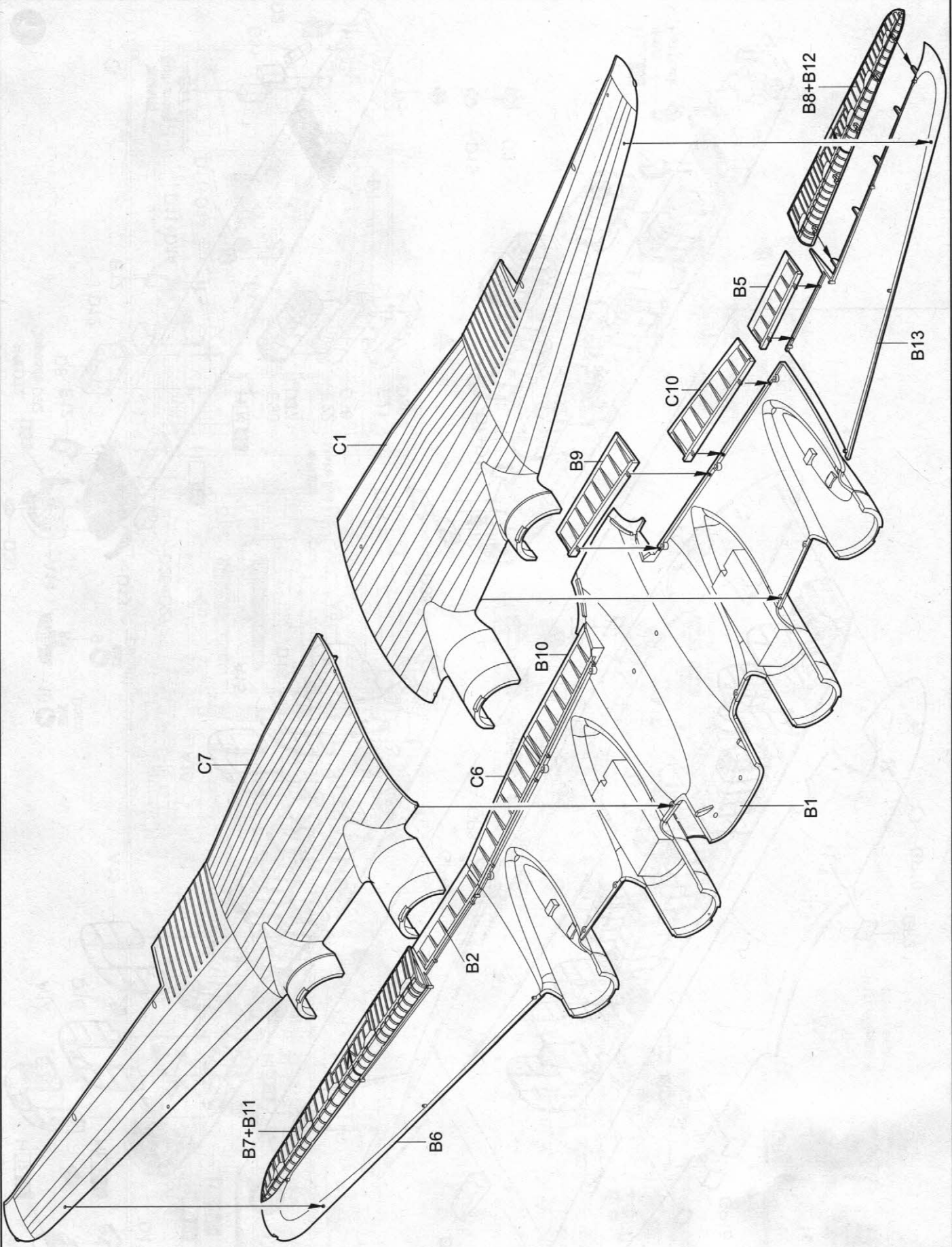


《水贴》  
Decal

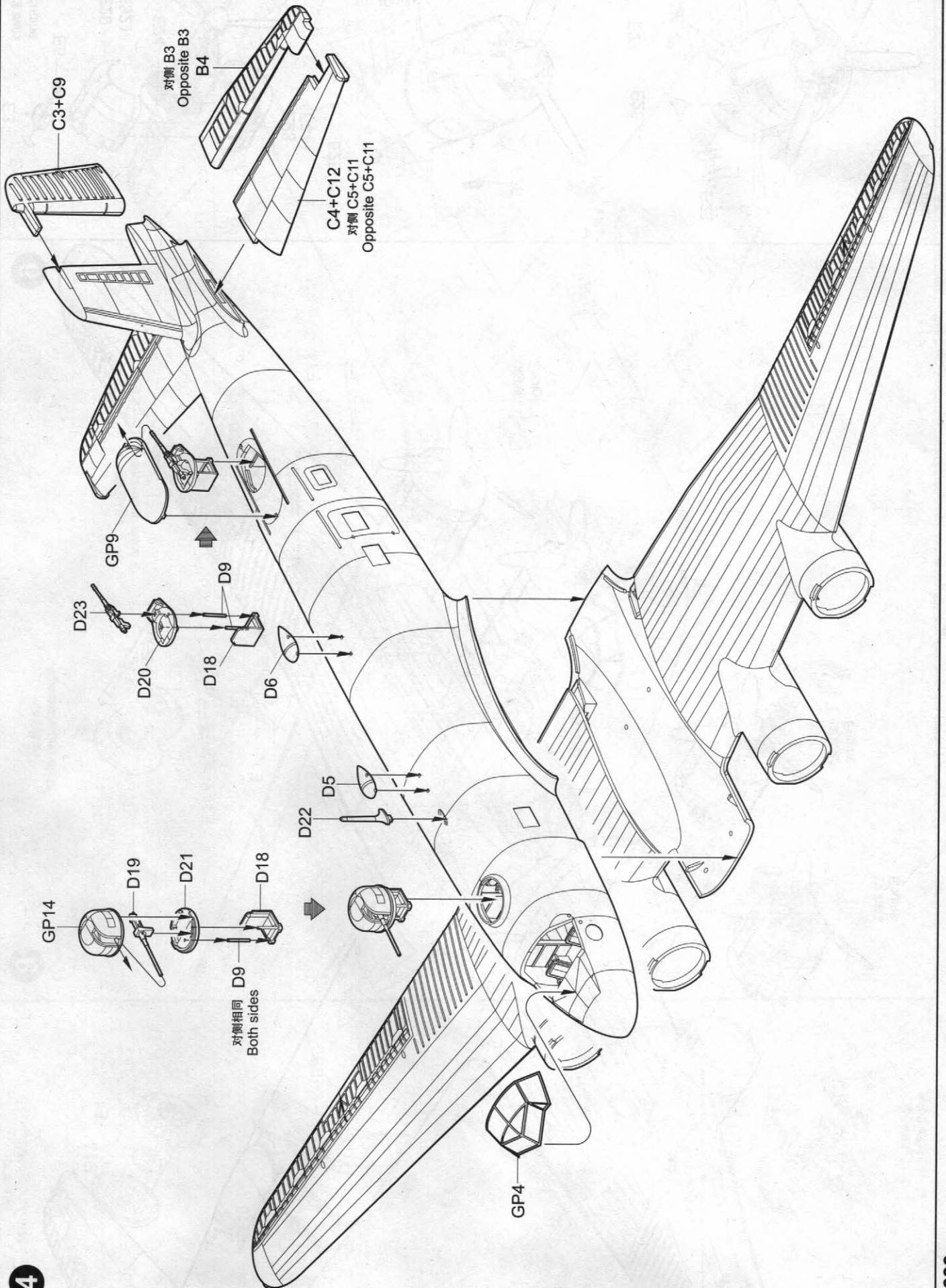


不用的部件: GP12  
Unused parts

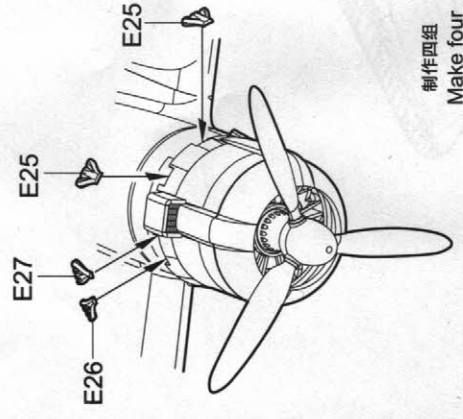
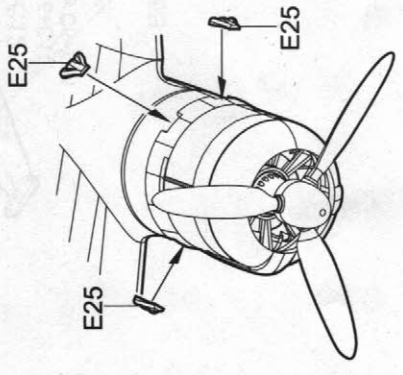
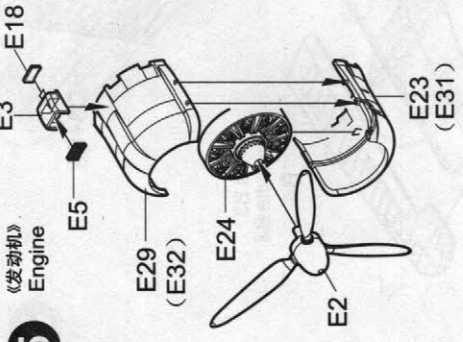




4

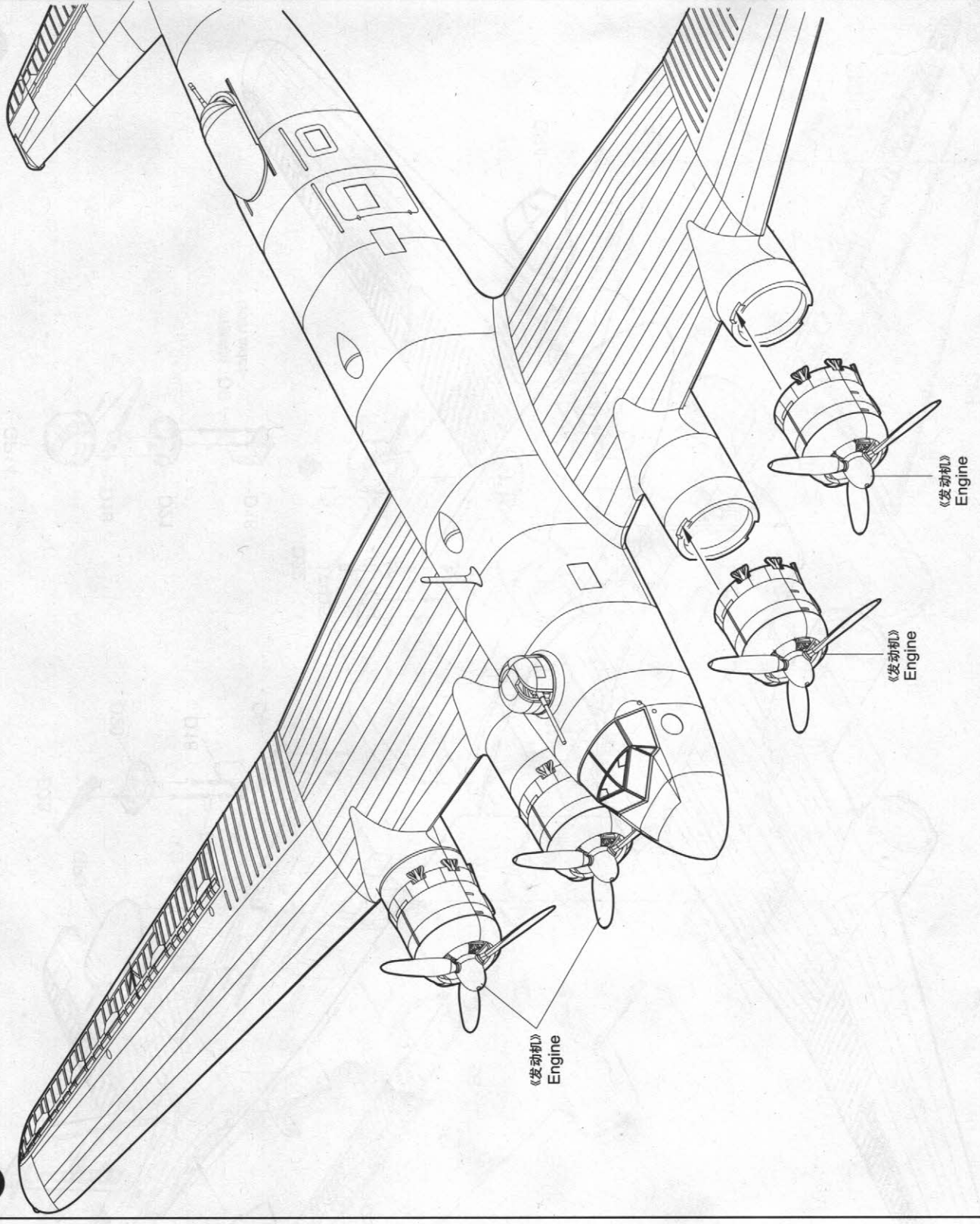


5



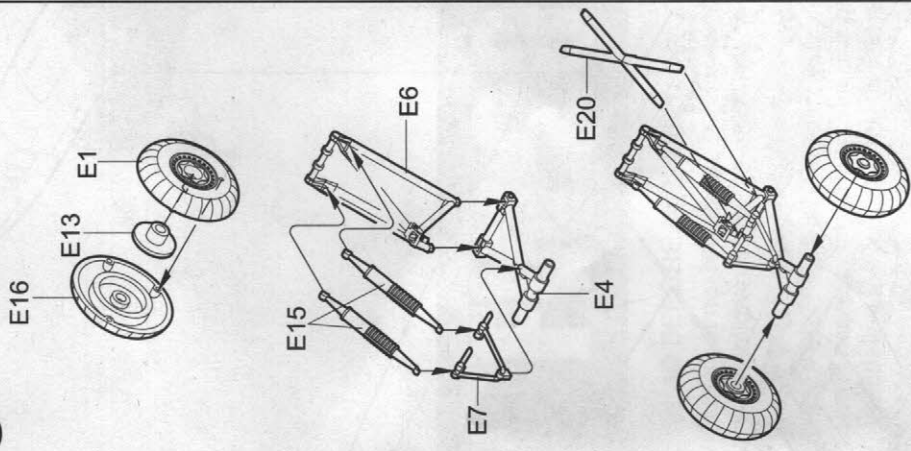
制作四组  
Make four

6



7

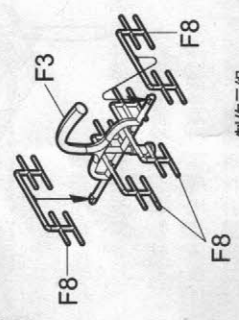
《主起落架》  
Main undercarriage



制作两组  
Make two

8

《天线》  
Antenna ???

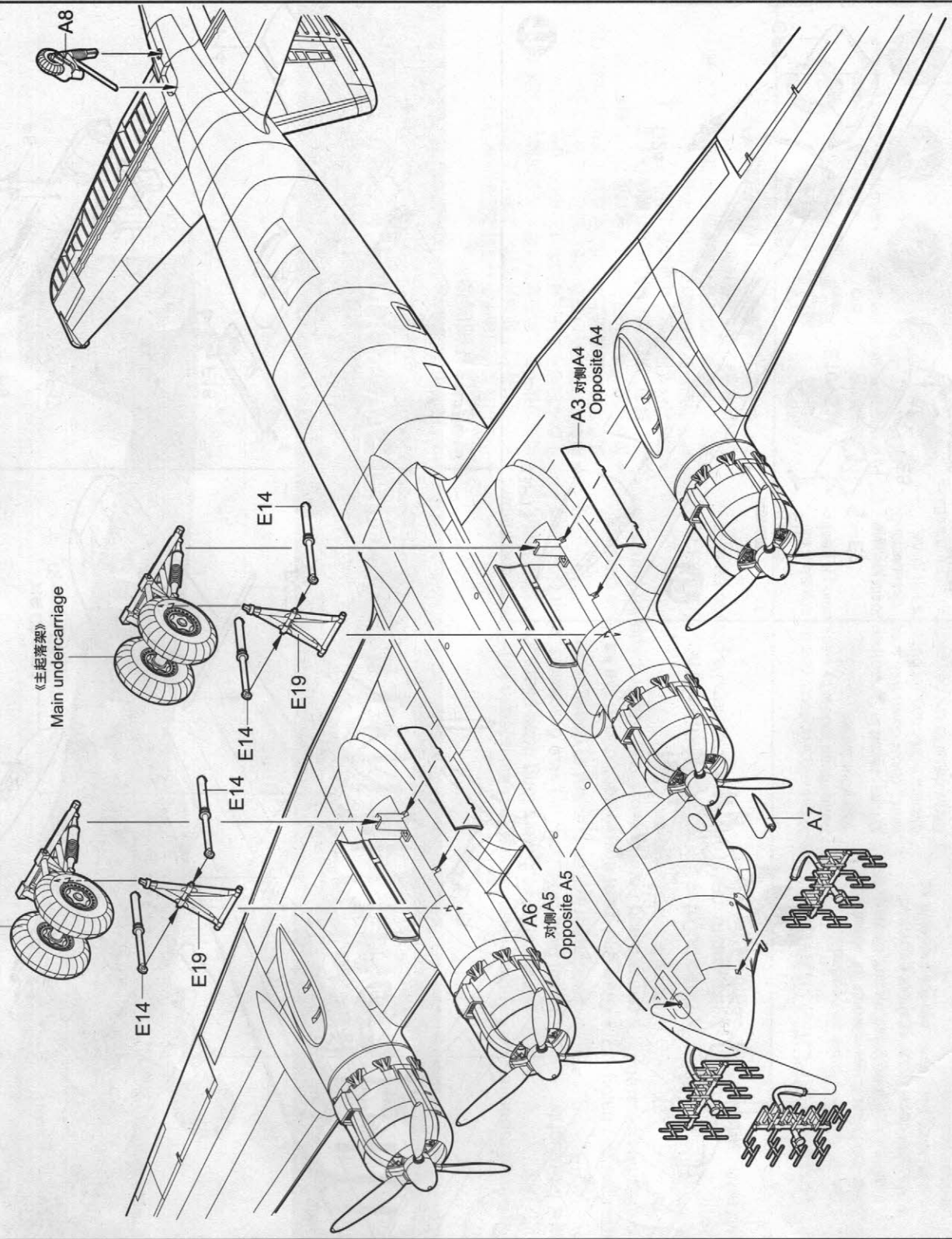


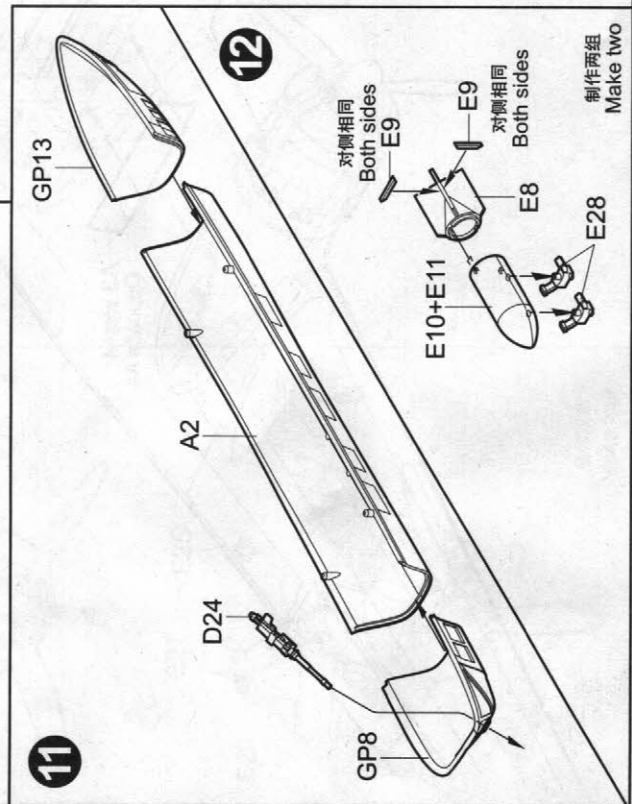
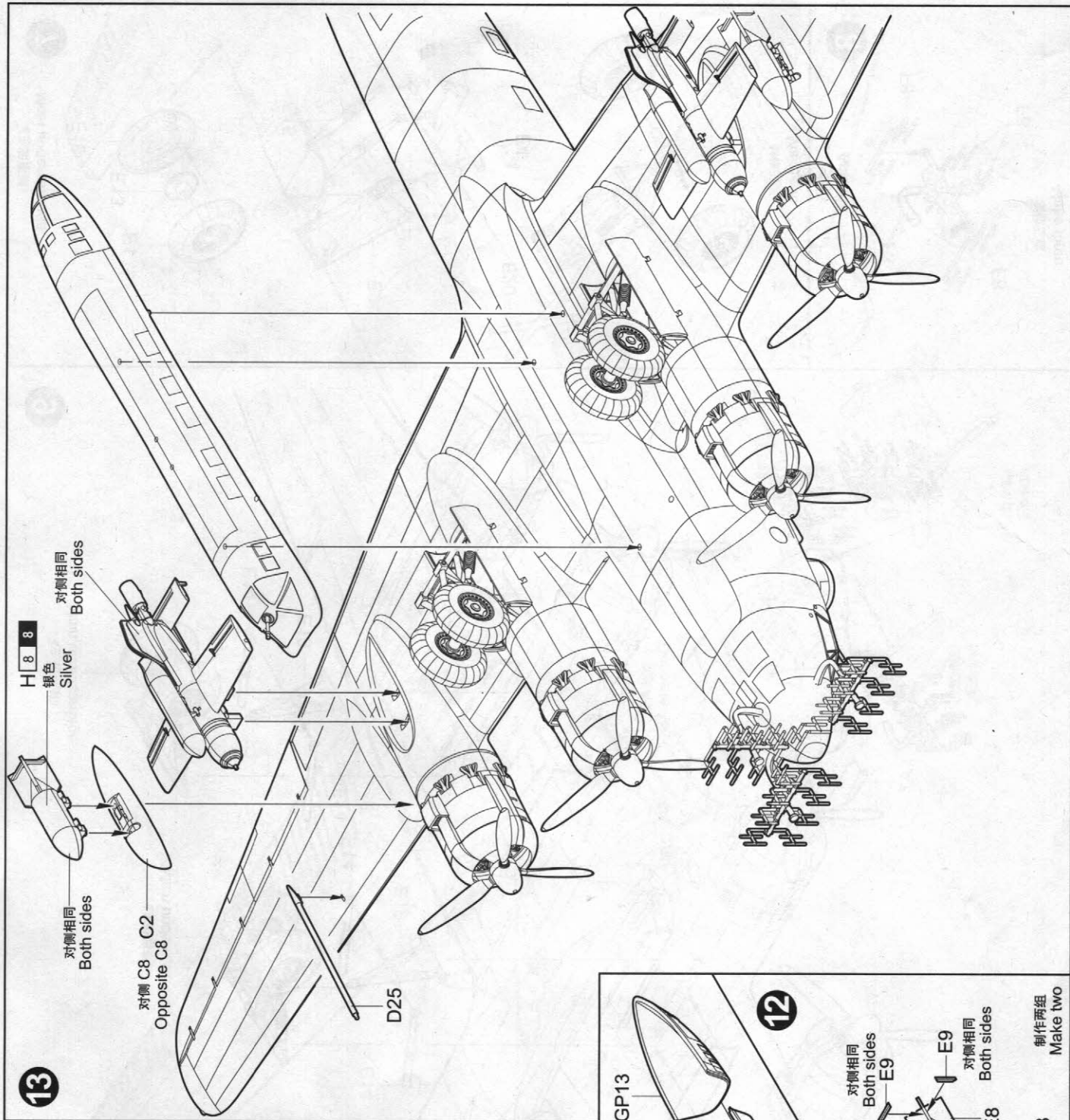
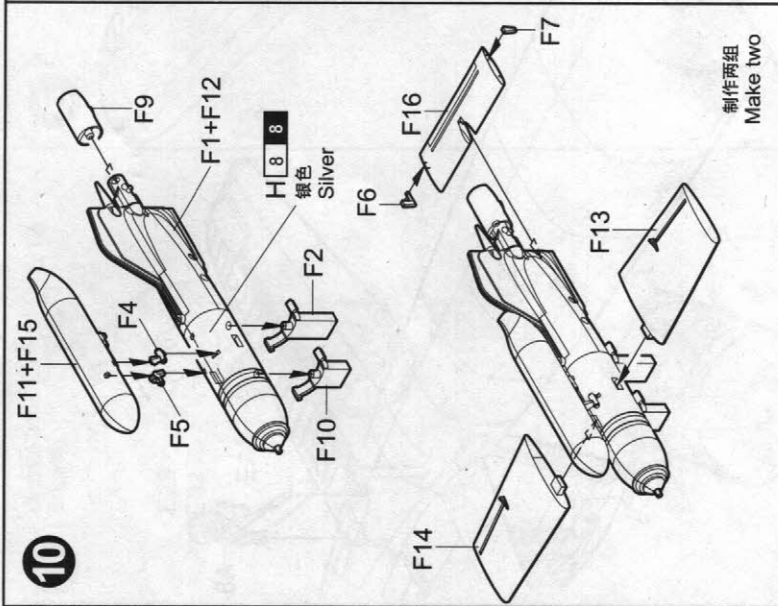
制作三组  
Make three

9

《主起落架》  
Main undercarriage

《主起落架》  
Main undercarriage





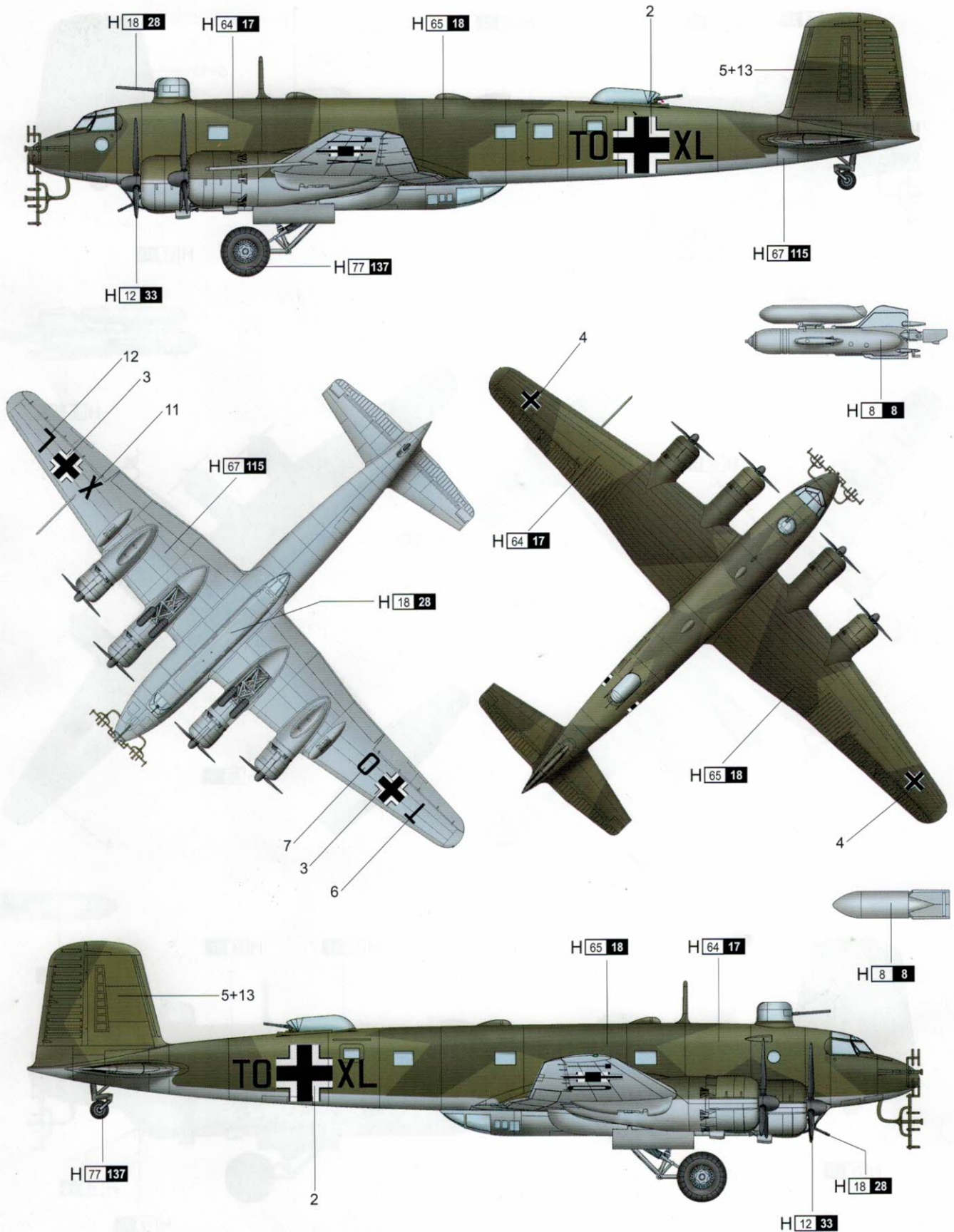


涂装同标贴指示  
Painting & Marking guide

PAINT REFERENCE COLOUR

Color	Mr.Hobby	Vallejo	Model Master	Tamiya	Humbrol
墨绿色 RLM70 Black Green	H 65 18	897	-	XF27	91
暗绿色 RLM71 Dark Green	H 64 17	-	-	-	-
胎黑色 Tire Black	H 77 137	-	-	-	-

**A** German, TO+XL 200C-8.



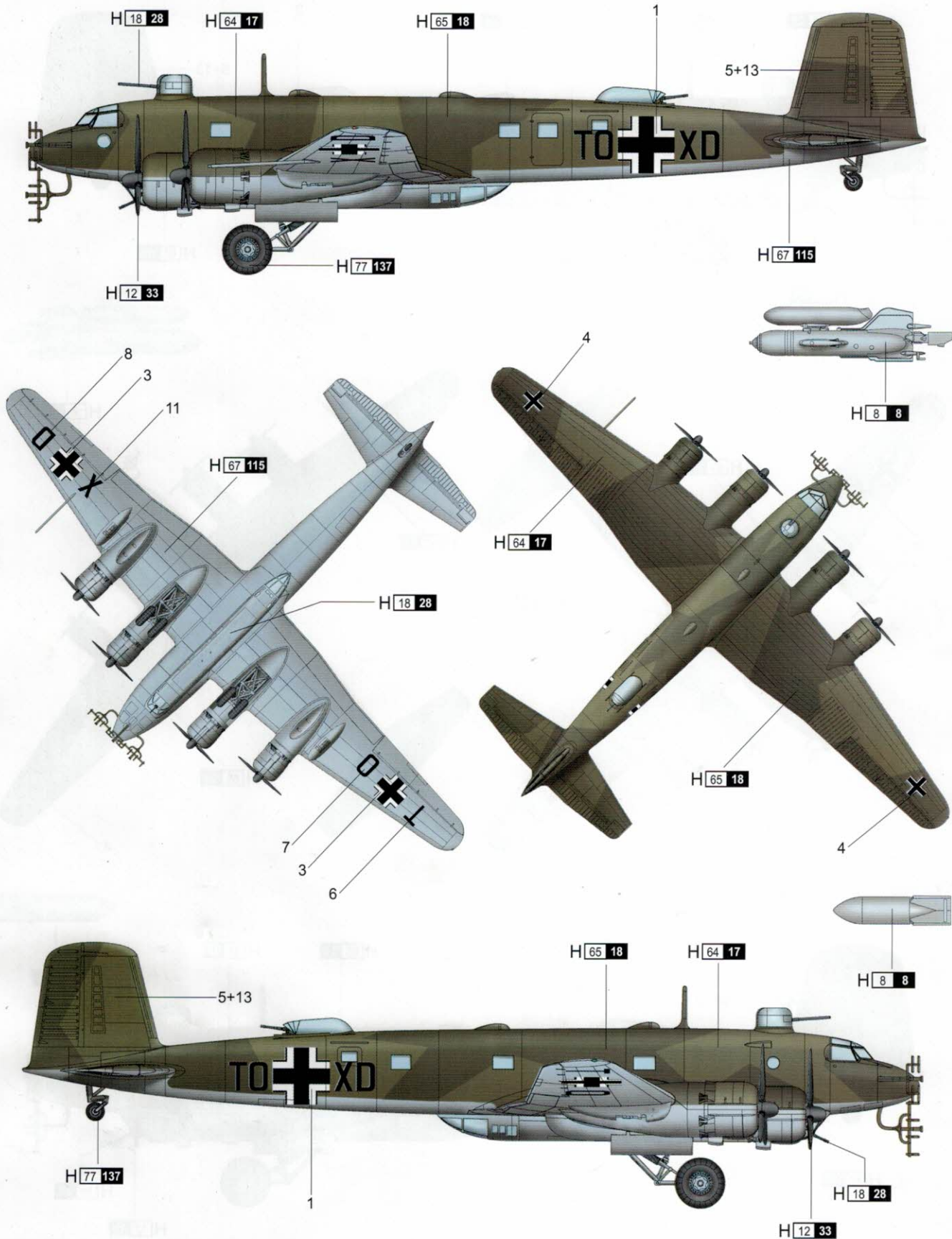
H AQUEOUS HOBBY COLOR    Mr. COLOR

涂装同标贴指示  
Painting & Marking guide

**B** German, TO+XD 200C-8.

**PAINT REFERENCE COLOUR**

Color	Mr.Hobby	Vallejo	Model Master	Tamiya	Humbrol
浅蓝色 RLM65 Light Blue	H 67 115	906	—	XF23	65
黑铁色 Steel	H 18 28	864	1402	—	—
消光黑 Flat Black	H 12 33	950	1749	XF1	33
银色 Silver	H 8 8	997	1546	X11	11



H  AQUEOUS HOBBY COLOR     Mr. COLOR