

# F-16A

## MLU Dream Viper



### F-16A MLU Dream Viper

“Dream Viper,” the new paint scheme of the F-16AM belonging to the Belgian Air Force F-16 Solo Display Team. The Dream Viper is the F-16 flown by CMDR Steven 'Vrieske' De Vries in his routine as the Viper Solo Display for the Belgian Air Force. This striking paint scheme is recreated down the individual rivets here, with its unique glossy and metallic scheme and attractive green underside. As the scheme itself reads 'The devil is in the details', every detail, from custom helmet and visors to newly placed rivets is covered in this skin. According to the Belgian Air Force F-16 Solo Display Facebook Page, Aviation Commander Steven 'Vrieske' De Vries, of the 31st Tiger Squadron at Kleine-Brogel Air Force Base, will be able to represent the Belgian national colors as an ambassador for the next three years at numerous air events in Belgium and abroad. Like his predecessors, Steven, as the 19th F-16 demonstration pilot since 1979, also receives a unique-painted aircraft. The aircraft's design was created by Aviation Commander Steven De Vries with the graphic contribution of Nico De Boeck. The fantastic painting is from the painters section of the Kleine-Brogel Air Base. After a period of technical inspections and detailed painting, the aircraft with the tail number FA-87 and named “Dream Viper” had been unveiled on Thursday, Jun, 9, 2022 to colleagues, guests, media and aviation enthusiasts under the approving eye of the Air Component Commander, the Major General Aviator Thierry DuPont.

### CAUTION

- \*Read carefully and fully understand the instructions before commencing assembly.
- \*Keep out of reach of children. Children must not be allowed to put any parts in their mouths, or pull plastic bag over their heads.
- \*When using adhesives and paints, please make sure not to use them in closed room or near the fire.
- \*When assembling this kit, tools including knives are used. Extra care should be taken to avoid injury.

**WARNING: CONTAIN SMALL PARTS NOT FOR CHILDREN UNDER 14 YEARS OF AGE.**

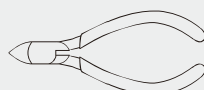


### TOOLS RECOMMENDED

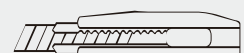
Cement



Side Cutter



Modeling Knife



Tweezers

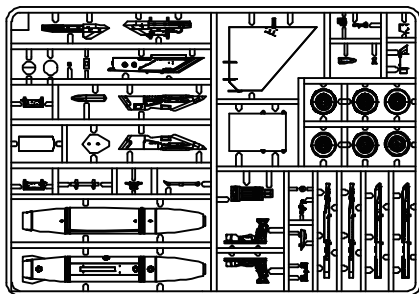
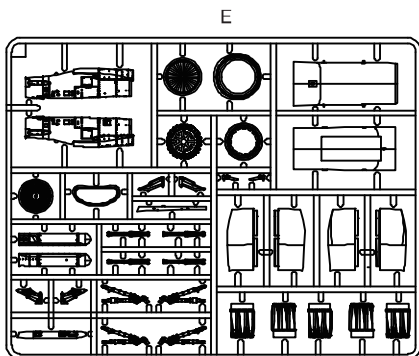
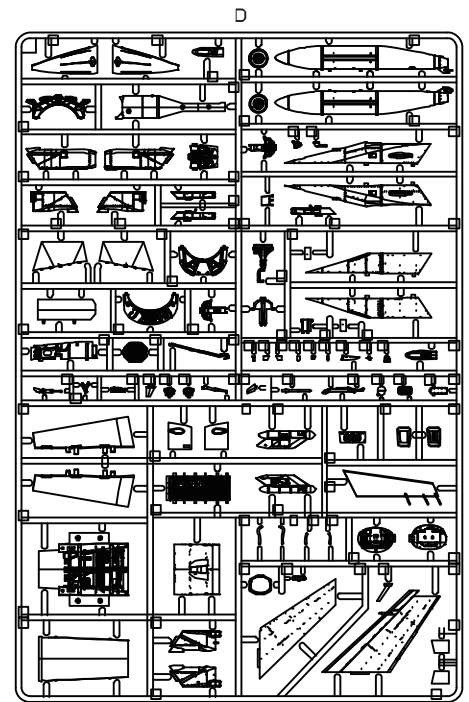
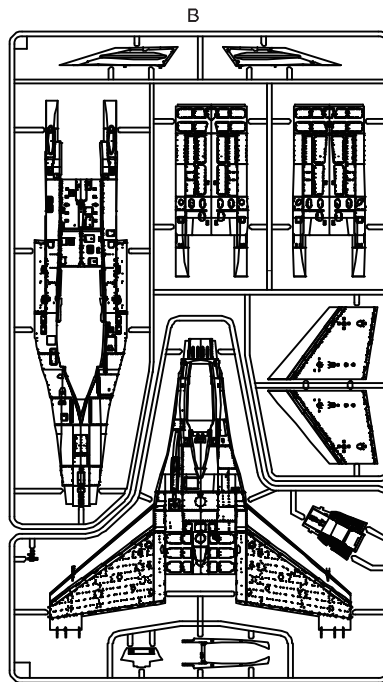
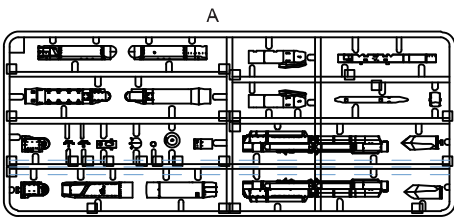


# 1/48 F-16A MLU Dream Viper NO.K48154

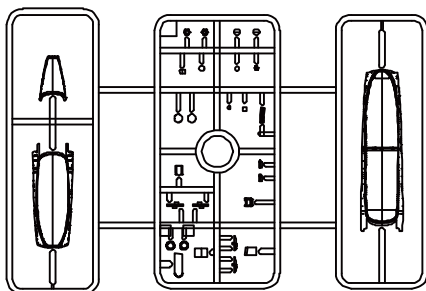
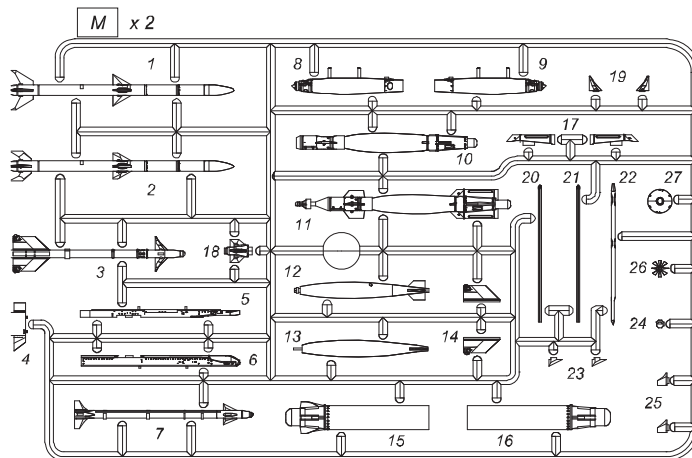
## AFTERMARKET SERVICES CARD

When requesting replacement parts, please take or send this form to your local dealer so that the parts required can be correctly identified. Please note that specifications and availability are subject to change without notice. Or visit <http://www.kineticmodel.com> for latest information. For more information, please contact [services@kineticmodel.com](mailto:services@kineticmodel.com)

Part Code	K48154	Qty	Item	Part Code	Qty	Item
00-100-021	WEAPON SET (AIM-9x,9M,120B/C,GBU-12) PARTS M	2	M	00-180-005	1	E
00-180-001	1/48 MODERN US TARGETING POD	1	A	00-180-006	2	F
00-180-002	1/48 F-16 LOWER FUESLAGE	1	B	00-180-007	1	G
00-180-003	1/48 F-16A/C UPPER FUESLAGE	1	C	01-180-48154	1	DECAL
00-180-004	1/48 F-16 MAIN PARTS	1	D	03-180-48154	1	MANUAL



Fx2



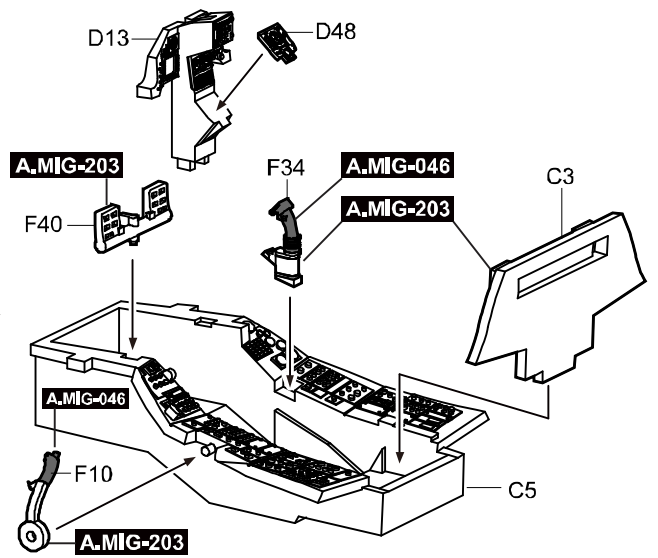
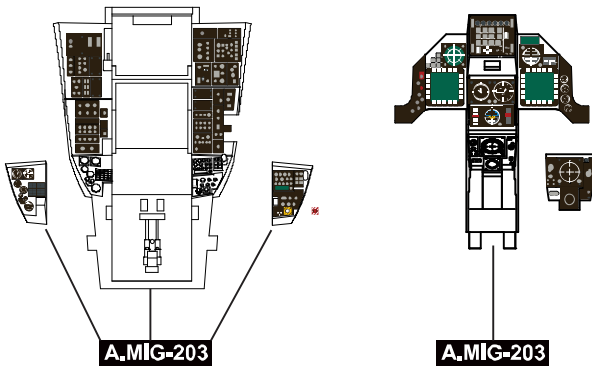
G



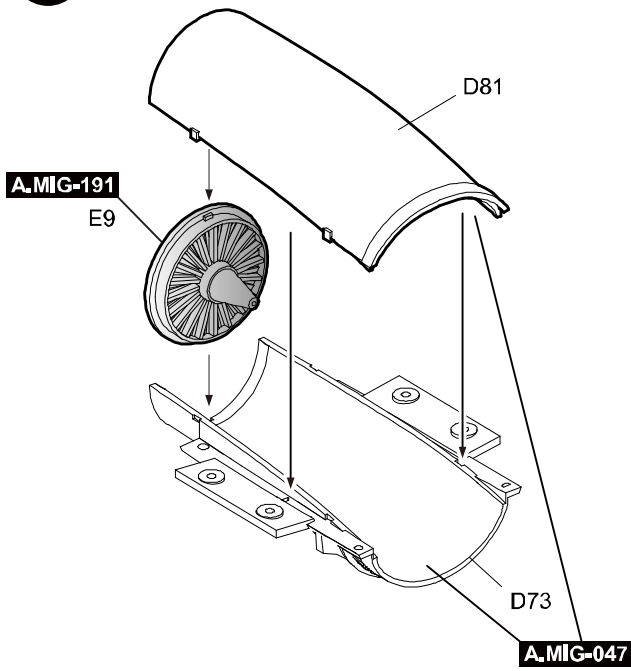
COLOR	AMMO MIG	VALLEJO MODEL COLOR	GSI CREOS MR. COLOR	TAMIYA ENAMEL/ACRYLIC	HUMBROL ENAMEL
DARK BLUE	-	-	326	-	-
SATIN BLACK	A.MIG-032	70.937	2	X-18	21
GUN METAL	A.MIG-045	70.863	78	X-70	53
MATT BLACK	A.MIG-046	71.057	33	XF-1	33
SATIN WHITE	A.MIG-047	70.842	1	X-2	22
YELLOW	A.MIG-048	71.002	4	XF-3	69
BLUE	A.MIG-086	71.089	323/5	X-4	14
CRYSTAL RED	A.MIG-093	70.934	47	X-27	220
CRYSTAL BLUE	A.MIG-098	70.938	50	X-23	-
BLOOD RED	A.MIG-121	-	327	-	-
BURNT IRON	A.MIG-187	71.073	61	XF-4	-
STEEL	A.MIG-191	70.864	28	-	27003
SILVER	A.MIG-195	71.063	8	X-11	11
GOLD	A.MIG-198	71.066	9	X-12	16
GHOST FRAY FS 36375	A.MIG-203	70.99	308	-	-
GUNSHIP GRAY FS 36118	A.MIG-204	71.047	305	XF-77	125
FS 36320	A.MIG-208	71.12	307	-	128
FS 36495	A.MIG-209	71.276	338	-	-
FS 36270	A.MIG-211	71.275	306	-	126
DARK OILVE DRAB	A.MIG-237	70.861	12	XF-62	-
YELLOW GREEN	-	-	64	-	-
GREEN FS34102	A.MIG-065	71.289	303	XF-58	117
MORRIE GREEN	-	-	GX6	-	-
PAINT A	A.MIG-032				
PAINT B	A.MIG-032 75%+25% A.MIG-047				
PAINT C	A.MIG-032 50%+50% A.MIG-047				
PAINT D	A.MIG-209				
PAINT E	A.MIG-209 70%+30% A.MIG-047				
PAINT F	A.MIG-047 29%+57% A.MIG-048 + 14% H6				
PAINT G	GX6 70%+30% C64				
PAINT H	C64 83%+17% C303				
PAINT I	C64 70%+30% C303				
PAINT J	GX6 14%+C64 29%+57% C303				

For Color Profile, please go to [www.kineticmodel.com](http://www.kineticmodel.com) for download  
(type the kit# and go for manual/painting guide)

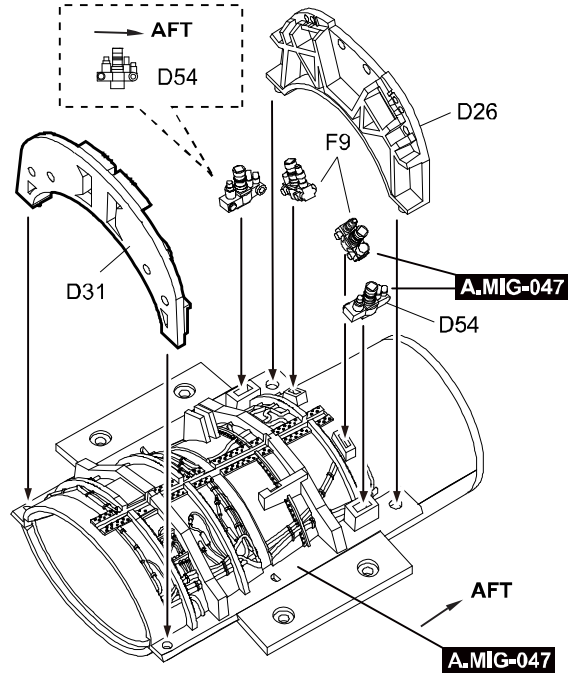
1



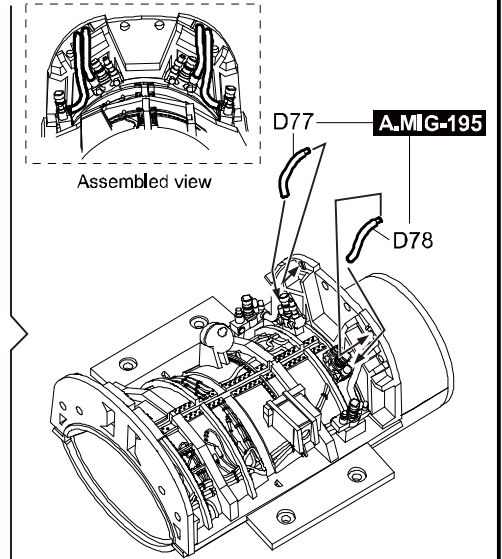
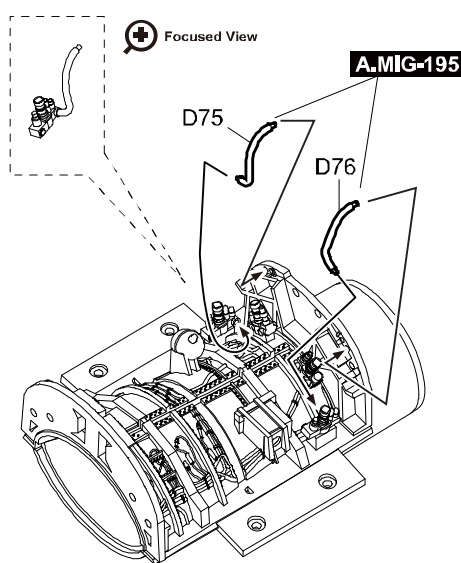
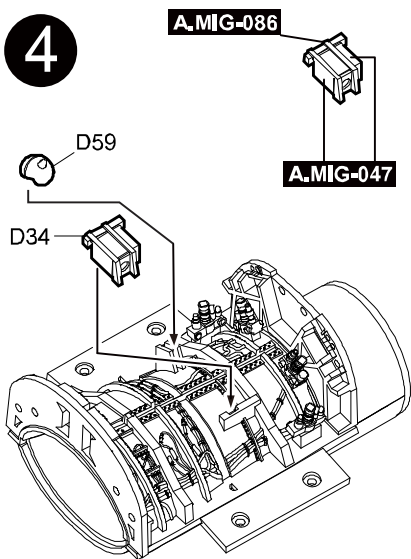
2



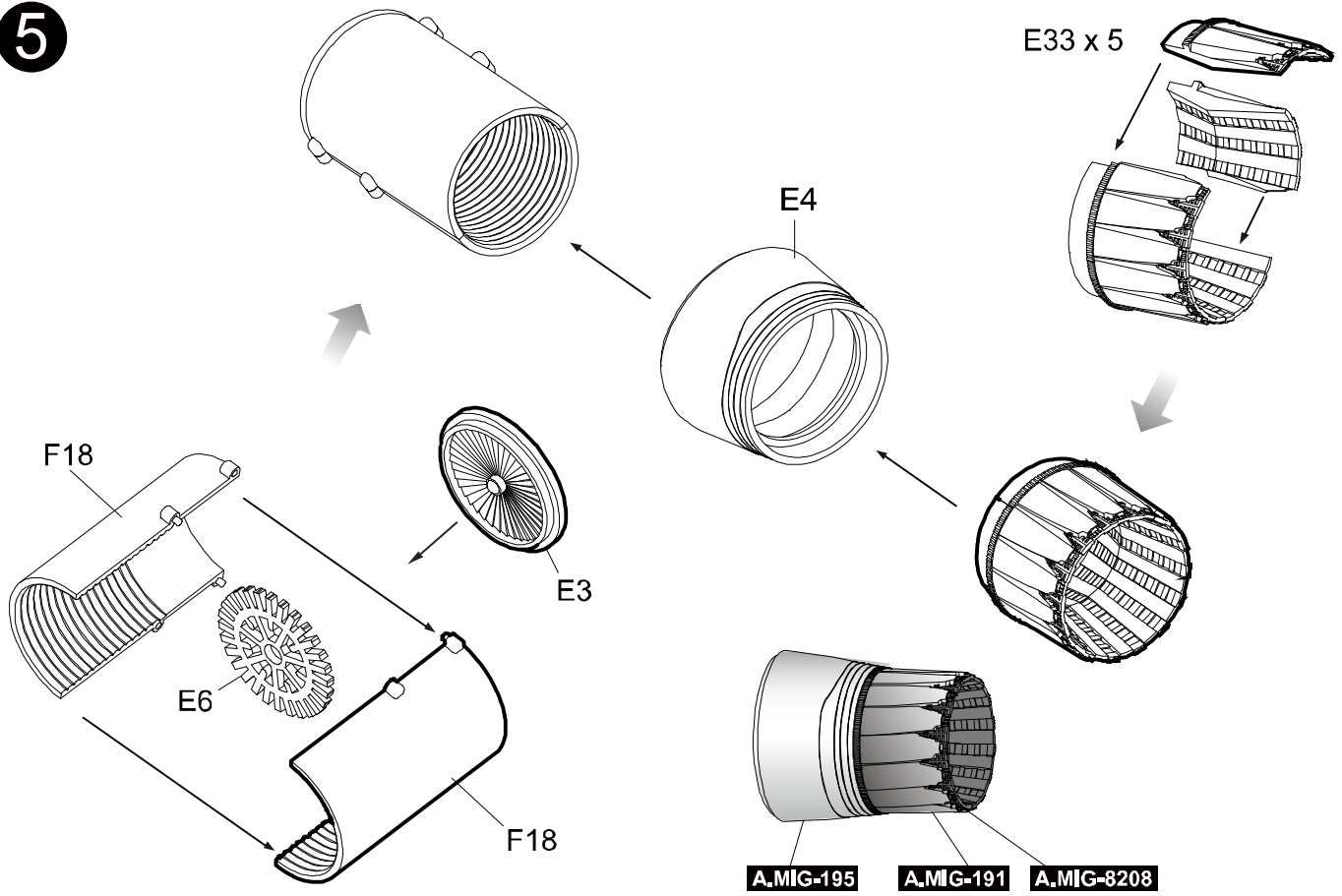
3



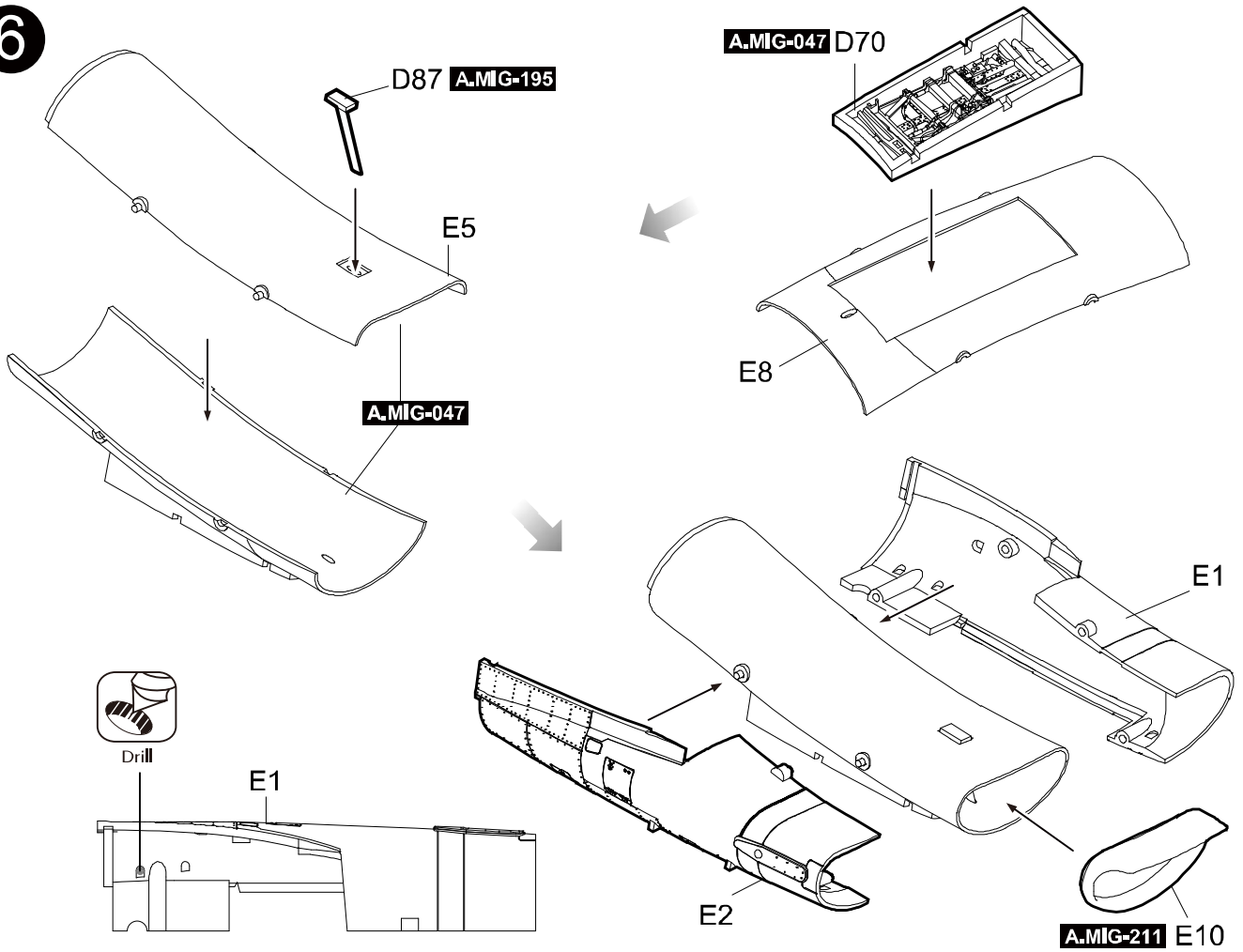
4



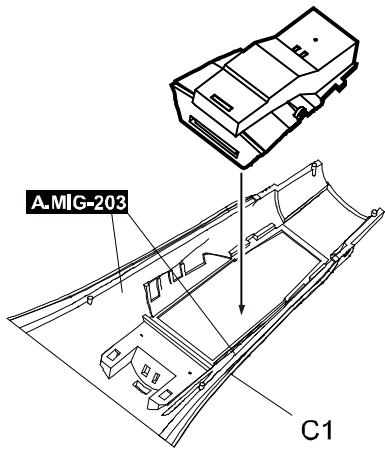
5



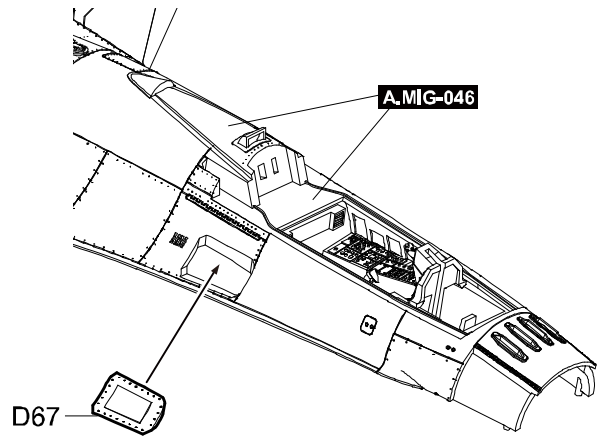
6



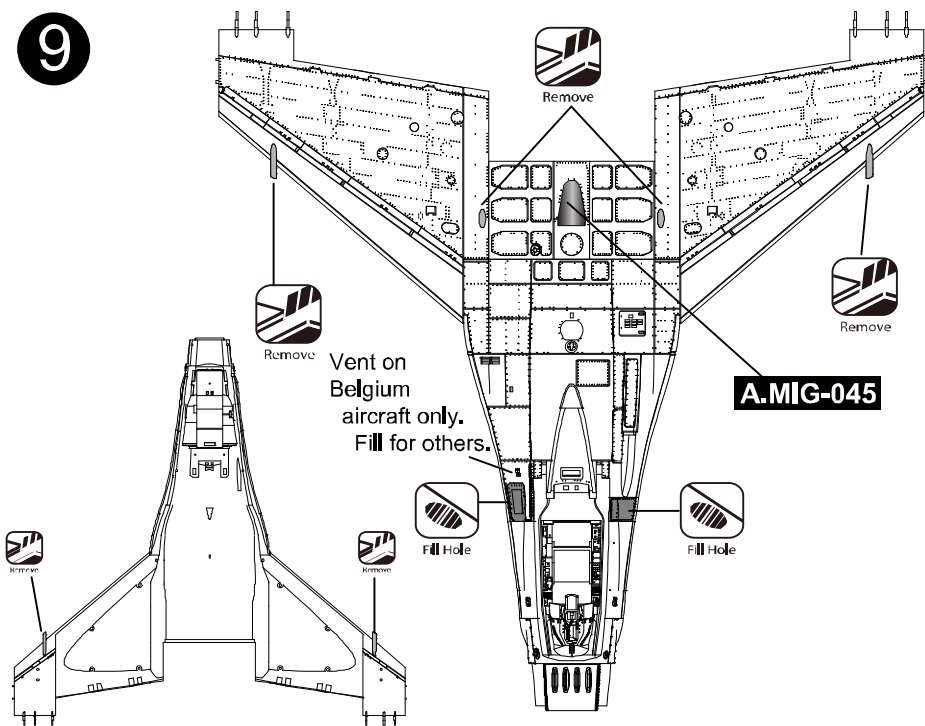
7



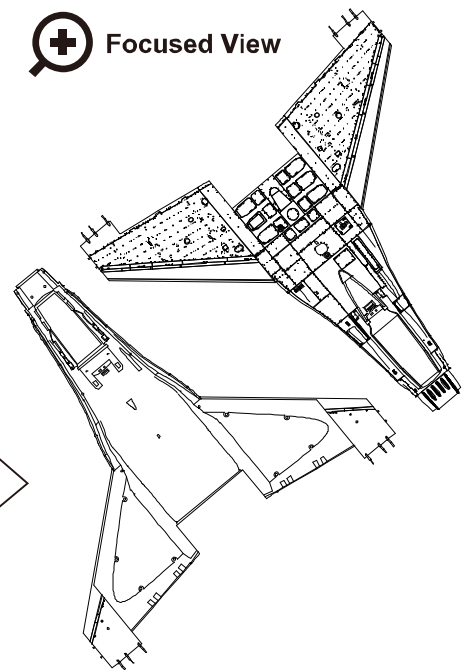
8



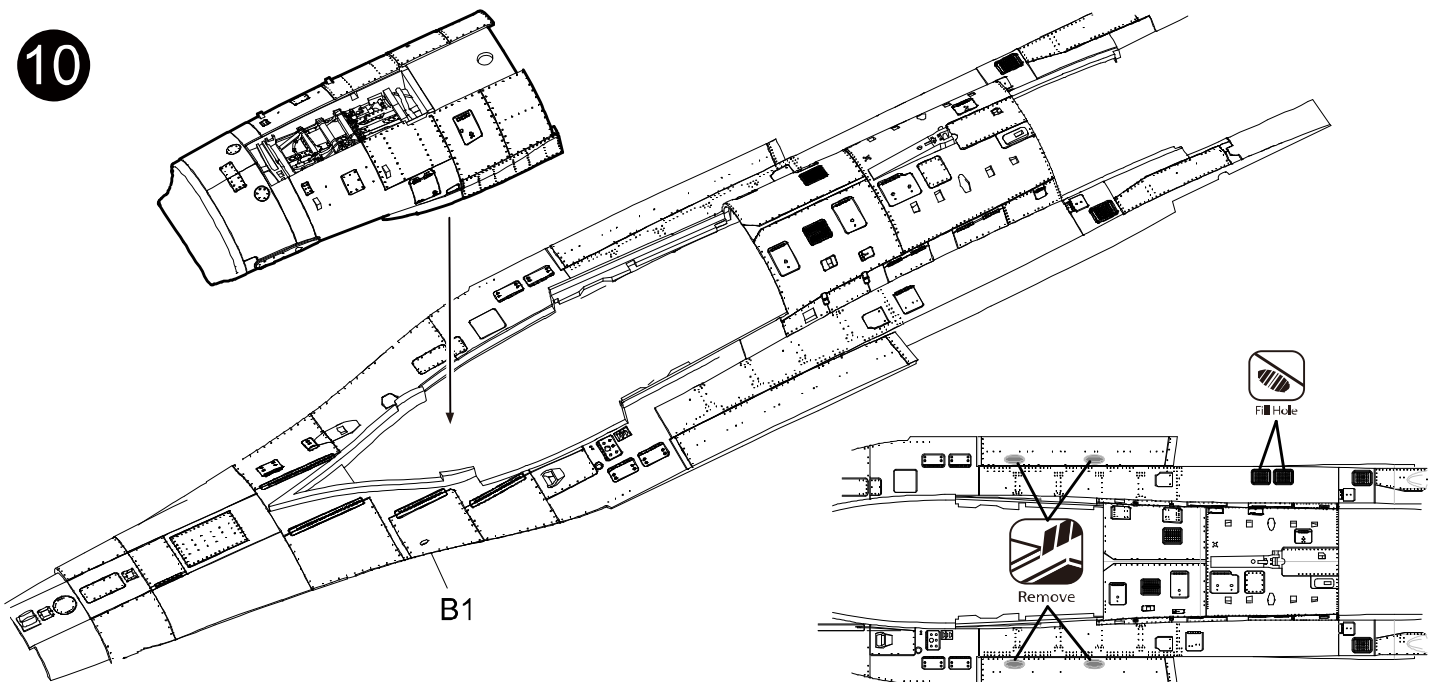
9



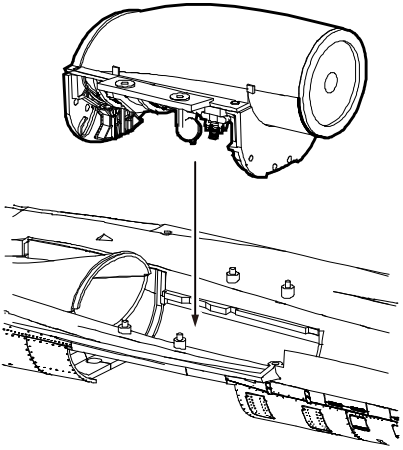
+ Focused View



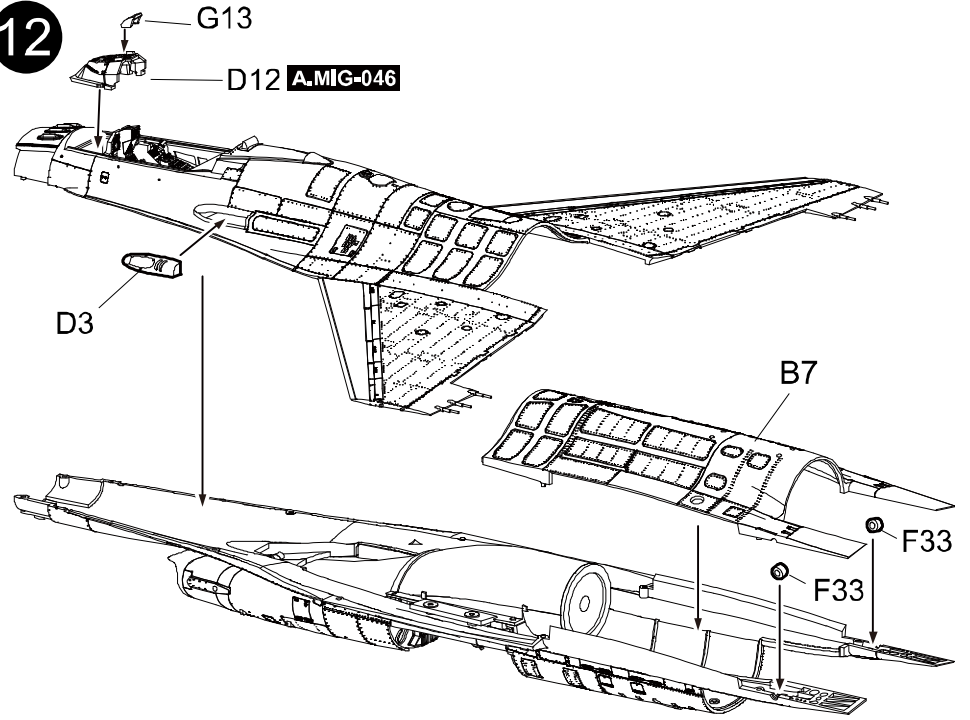
10



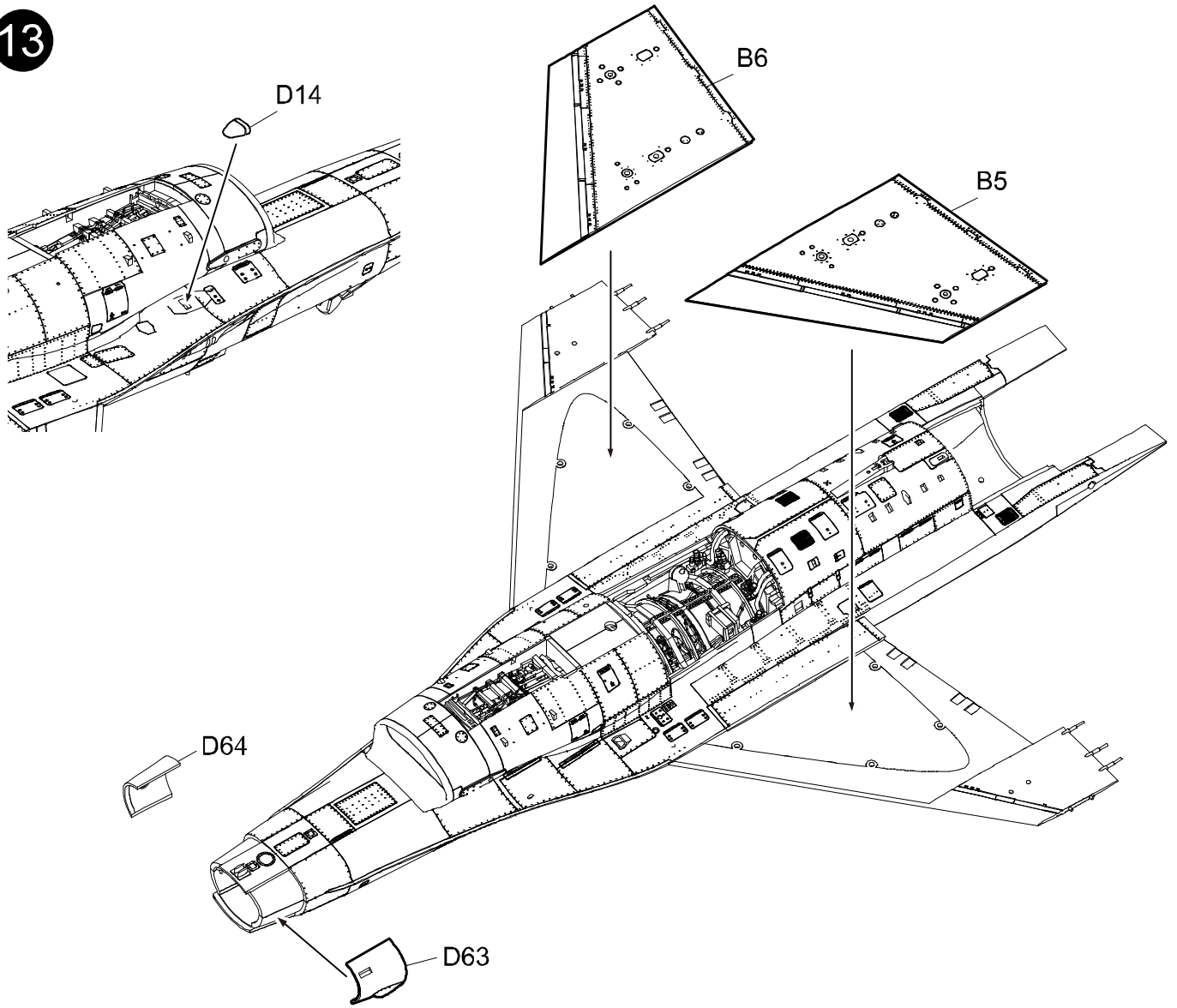
11



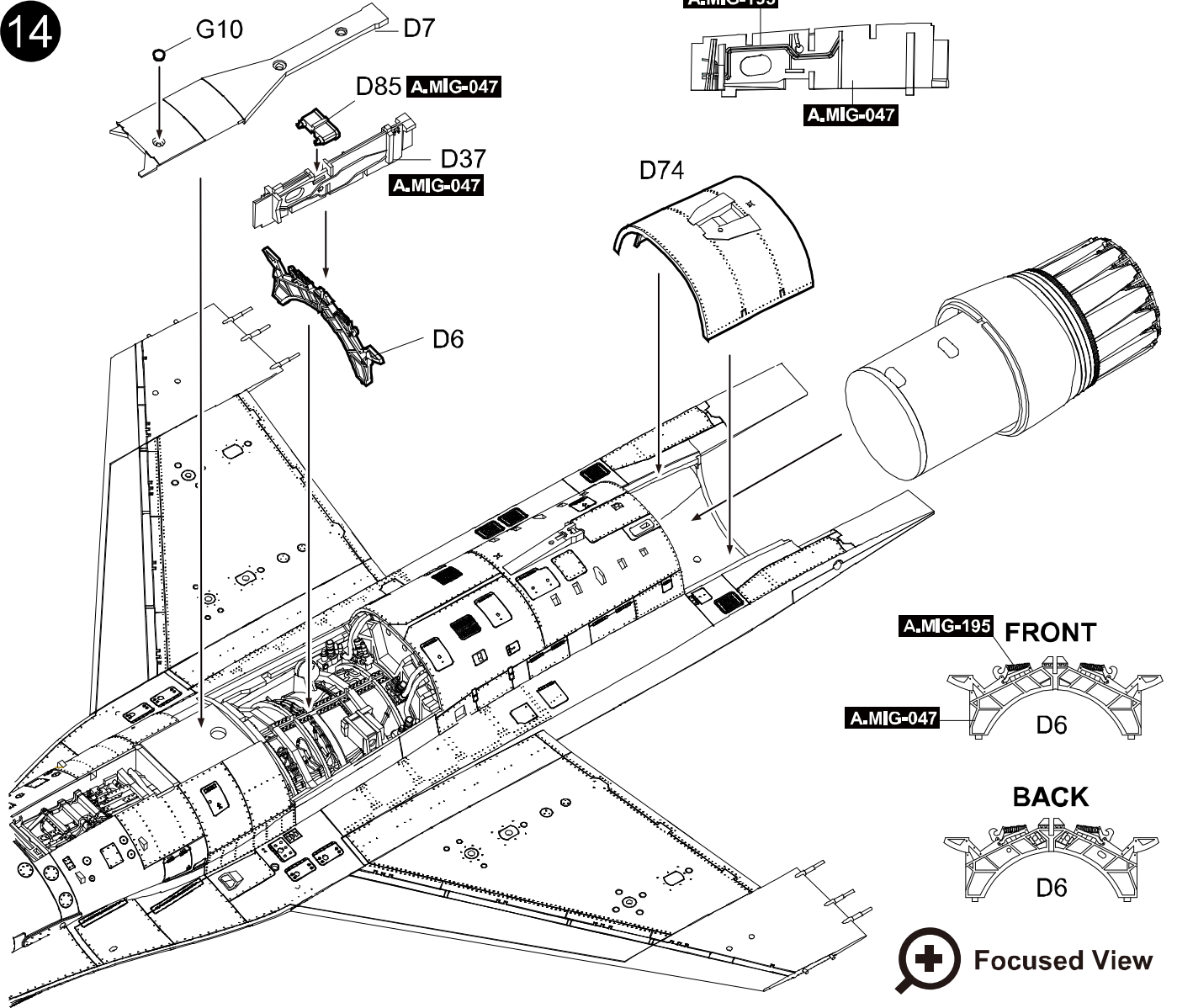
12



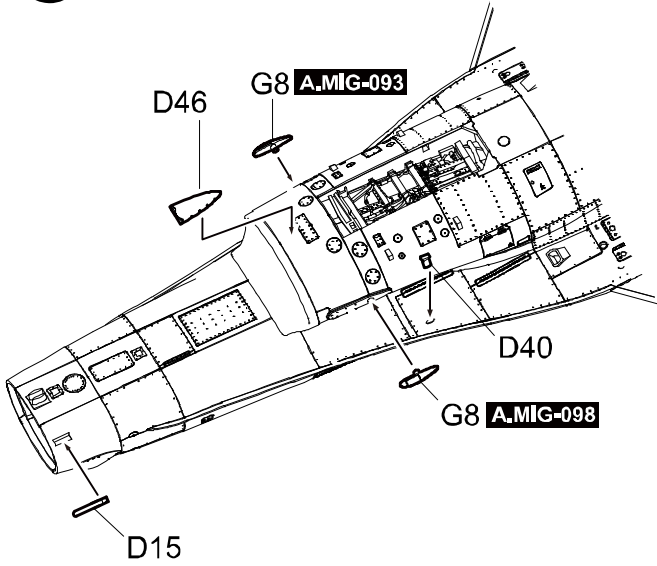
13



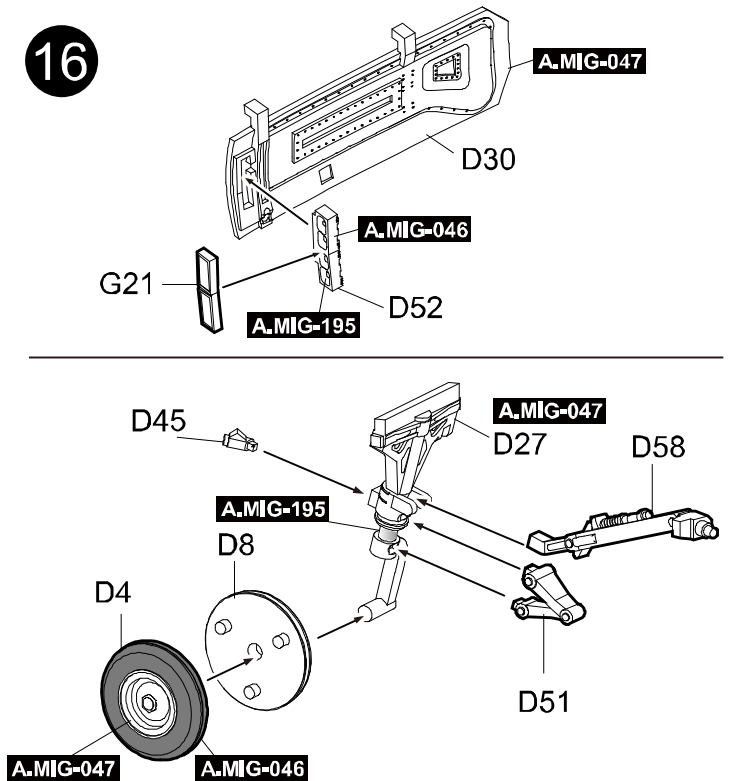
14



15

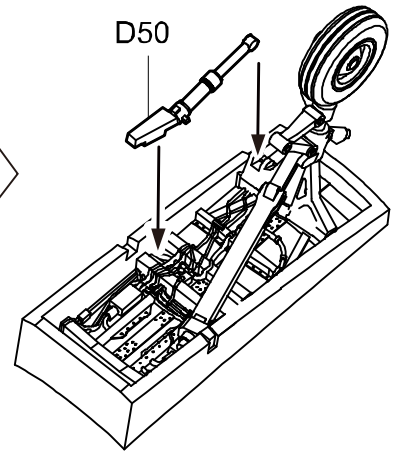
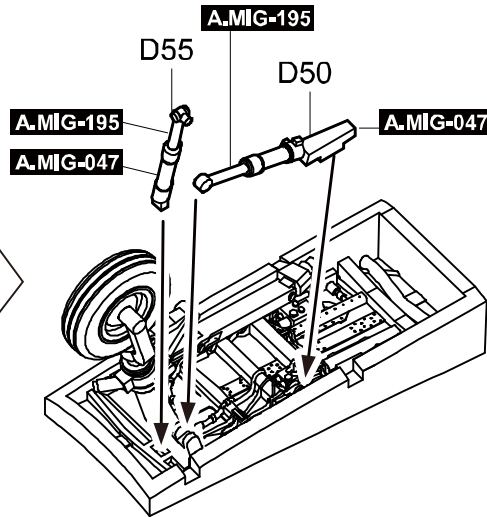
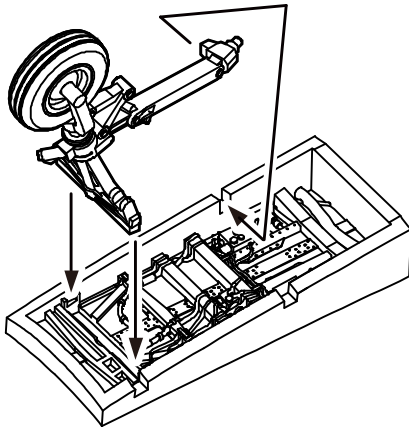


16

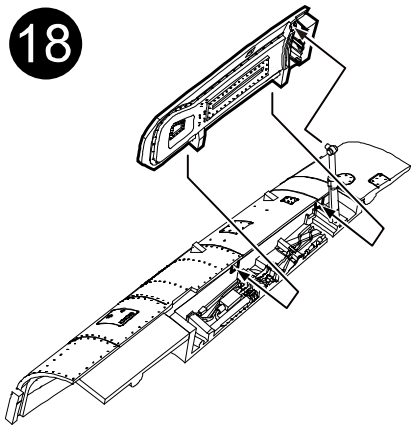




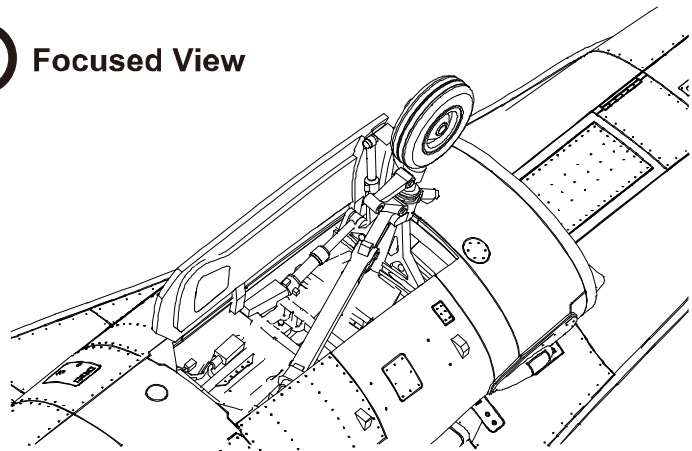
17



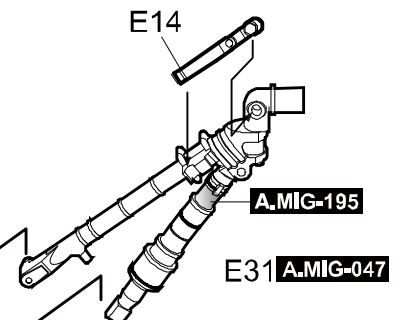
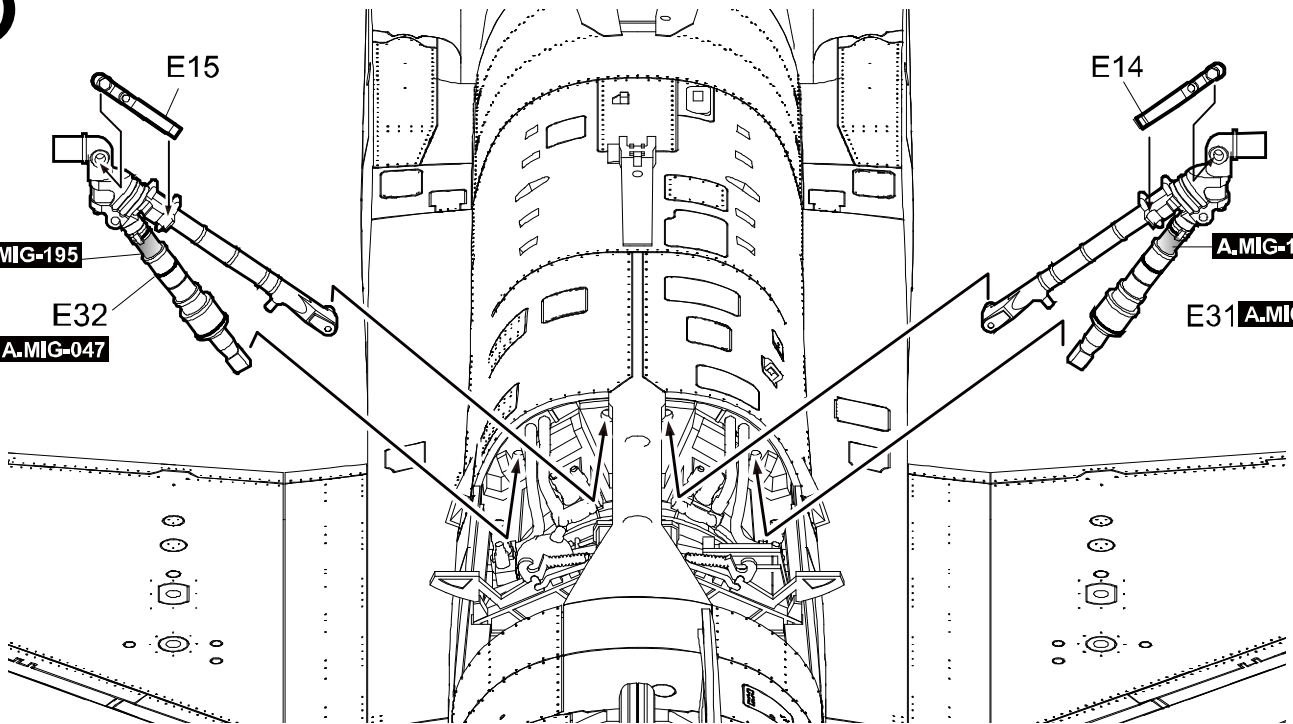
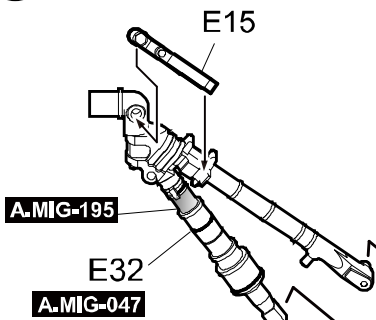
18



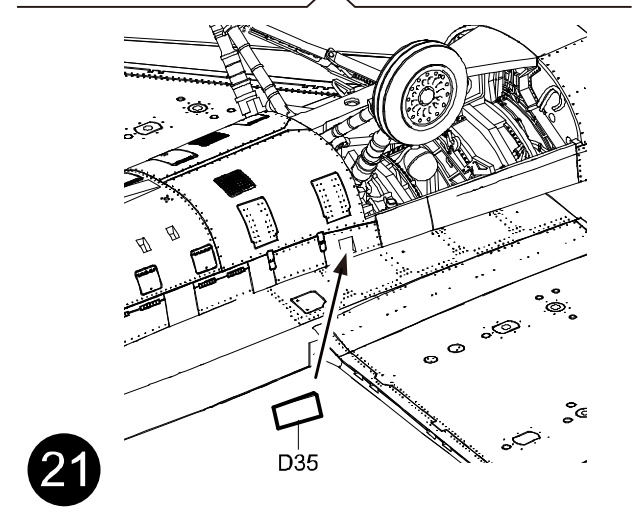
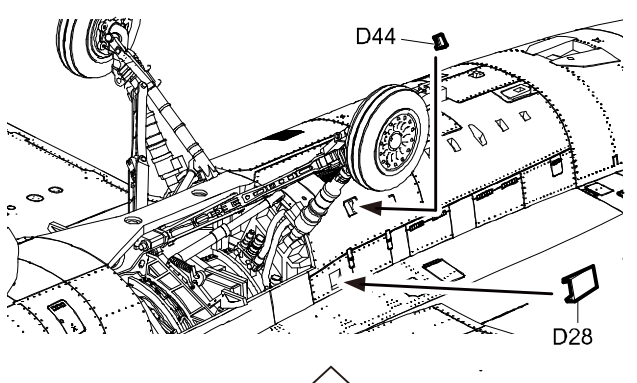
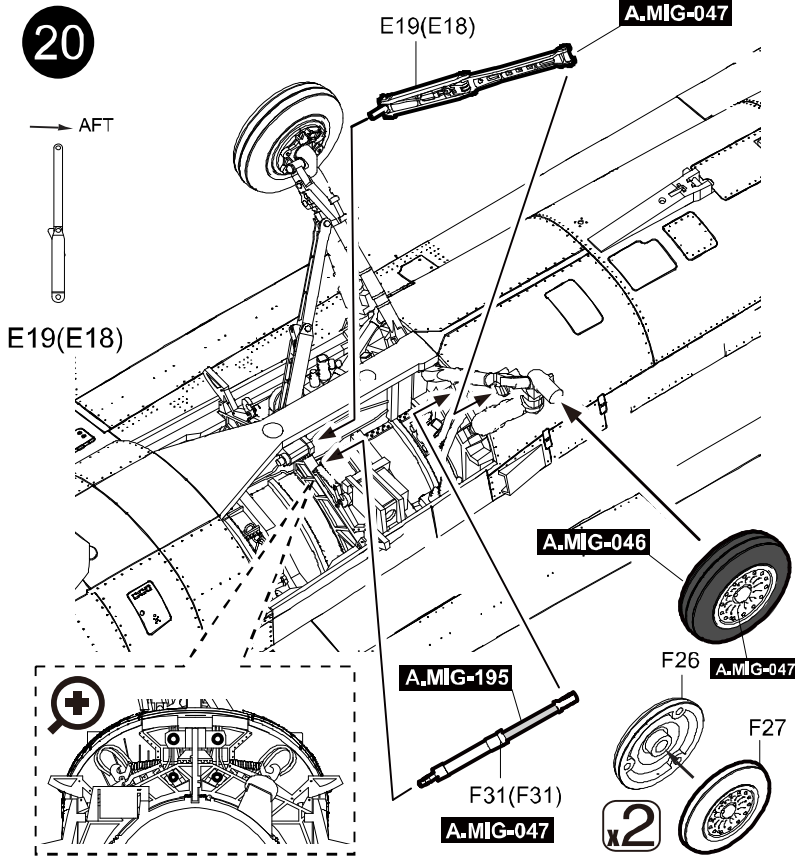
**+** Focused View



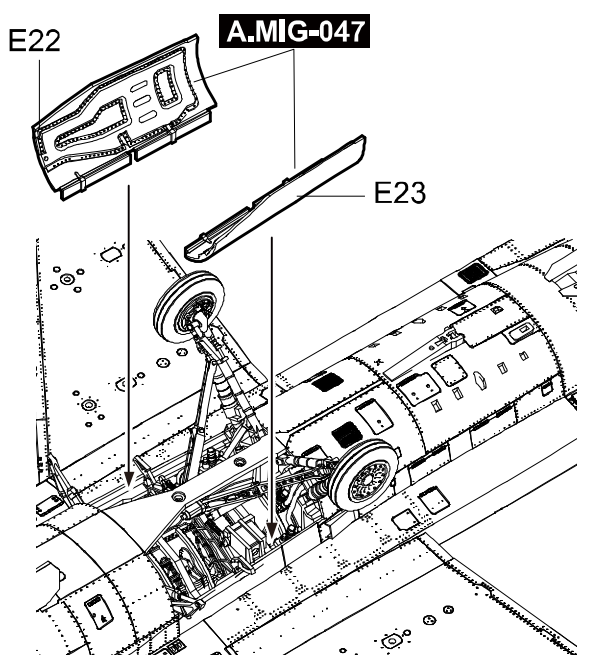
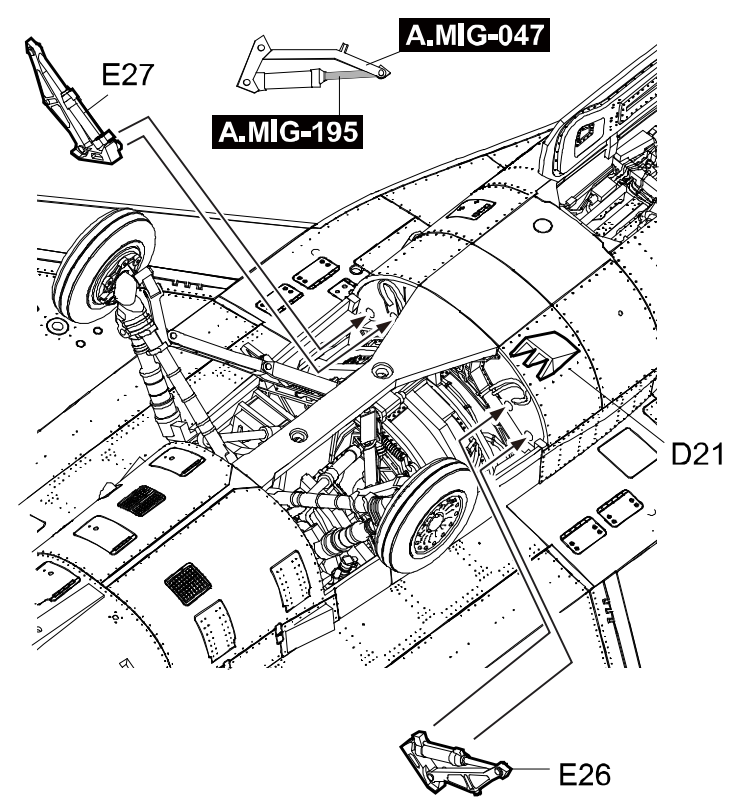
19



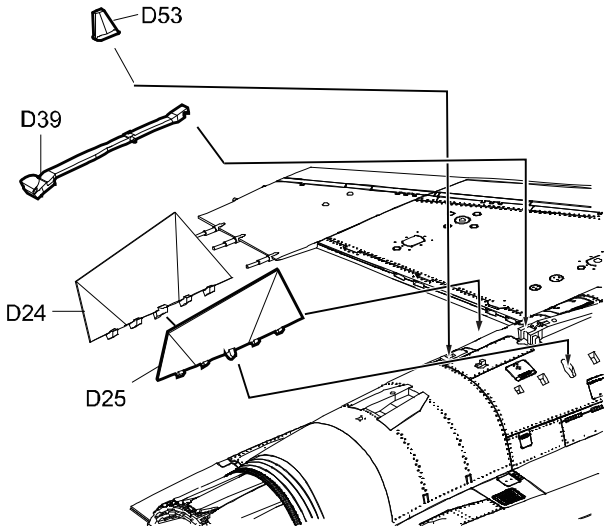
20



22

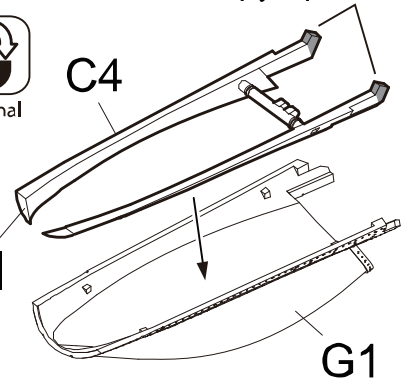


23



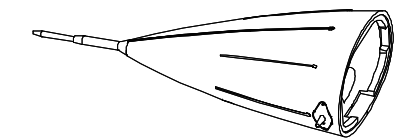
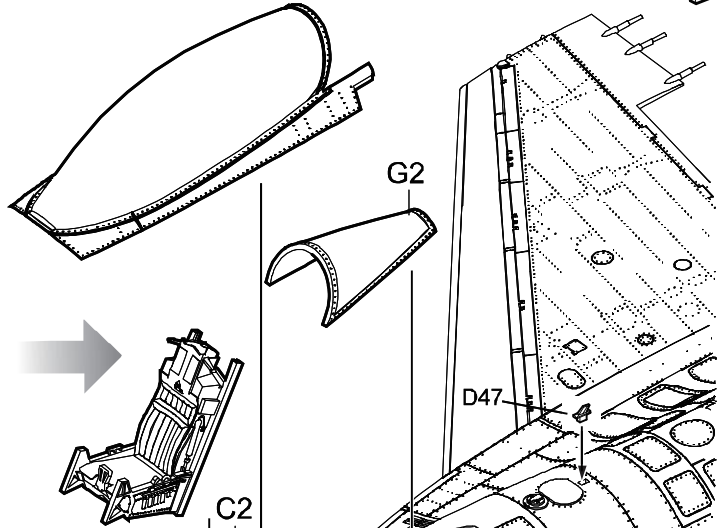
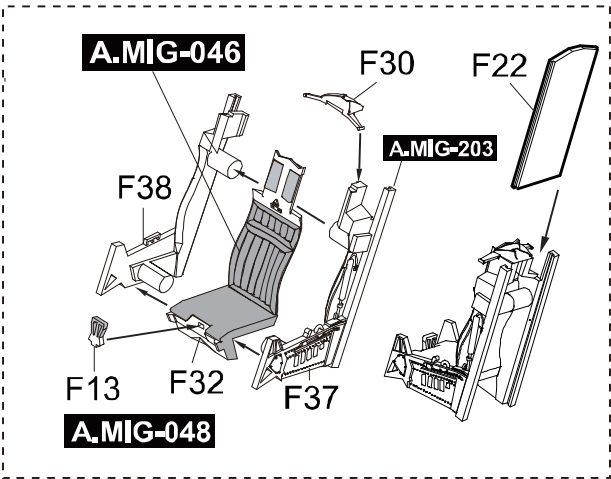
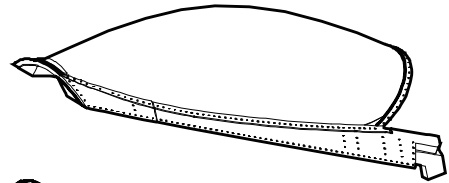
24

Cut for closed canopy option.



A.MIG-046

G1



A.MIG-203

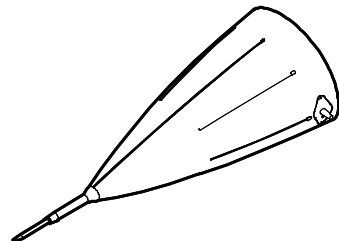


A.MIG-011

Open/Close

D79

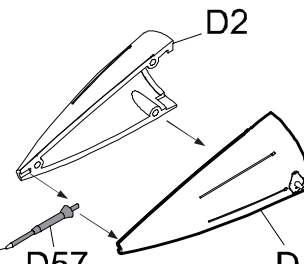
D38



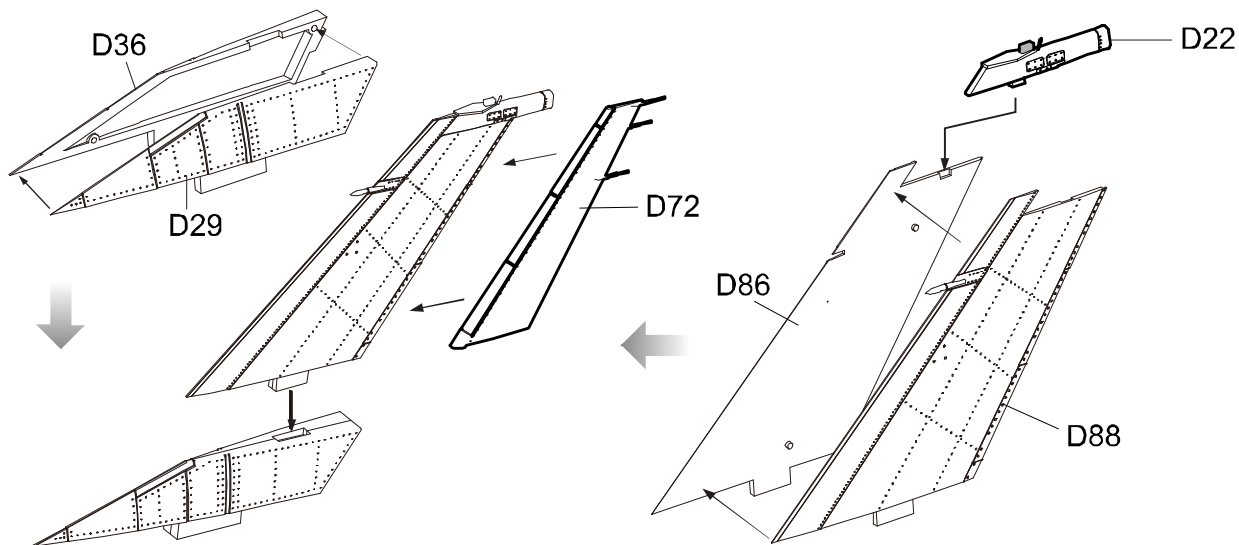
A.MIG-195

D57

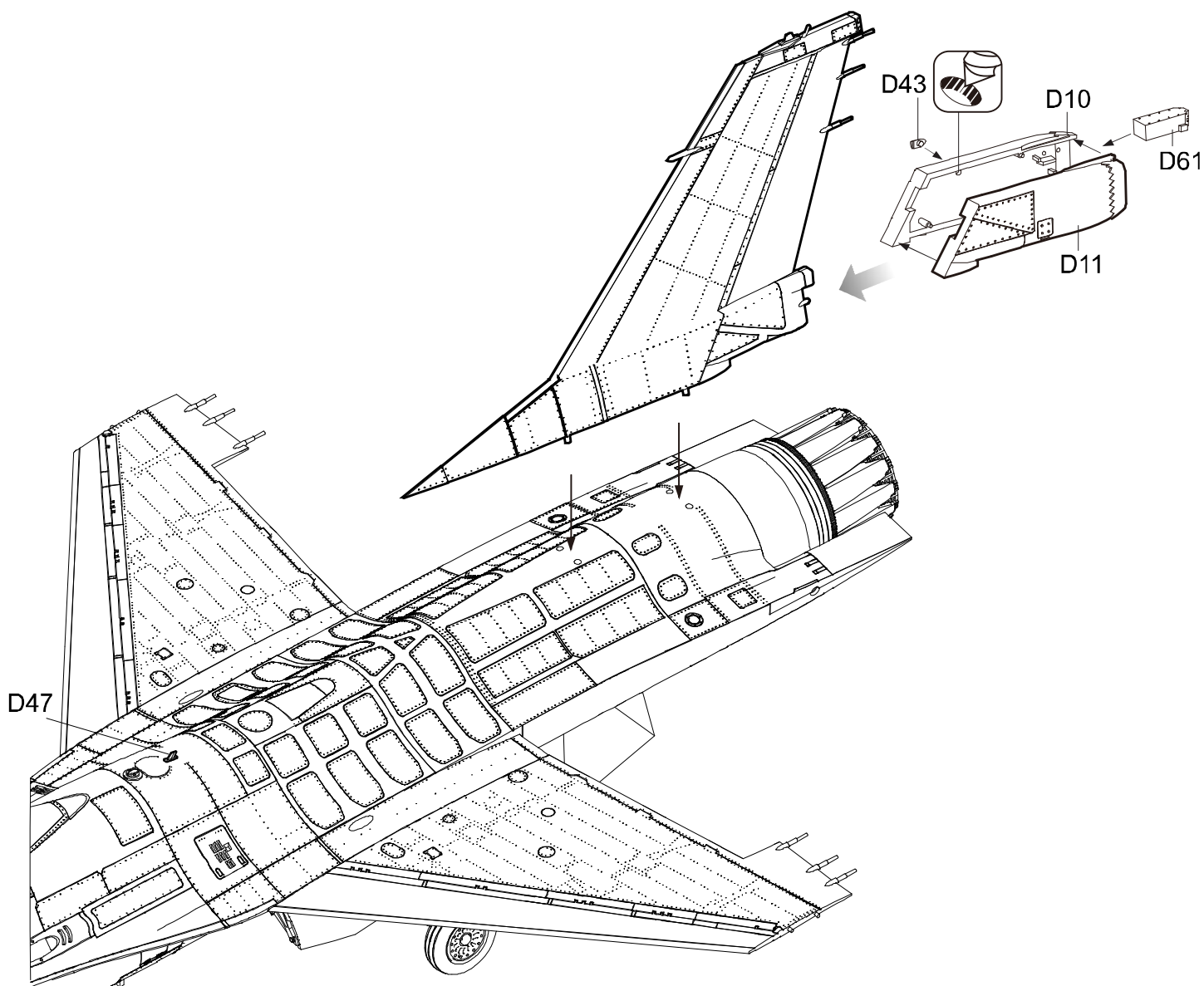
D1



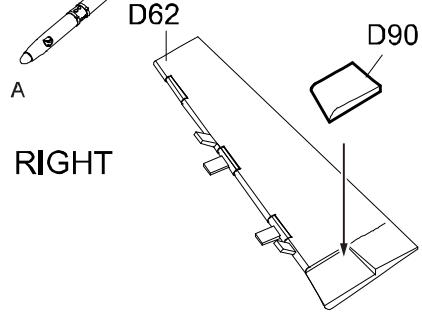
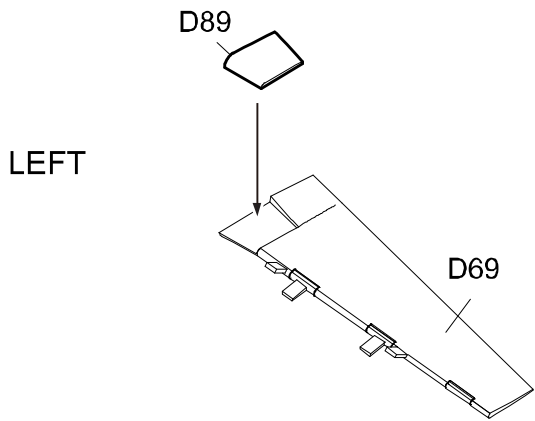
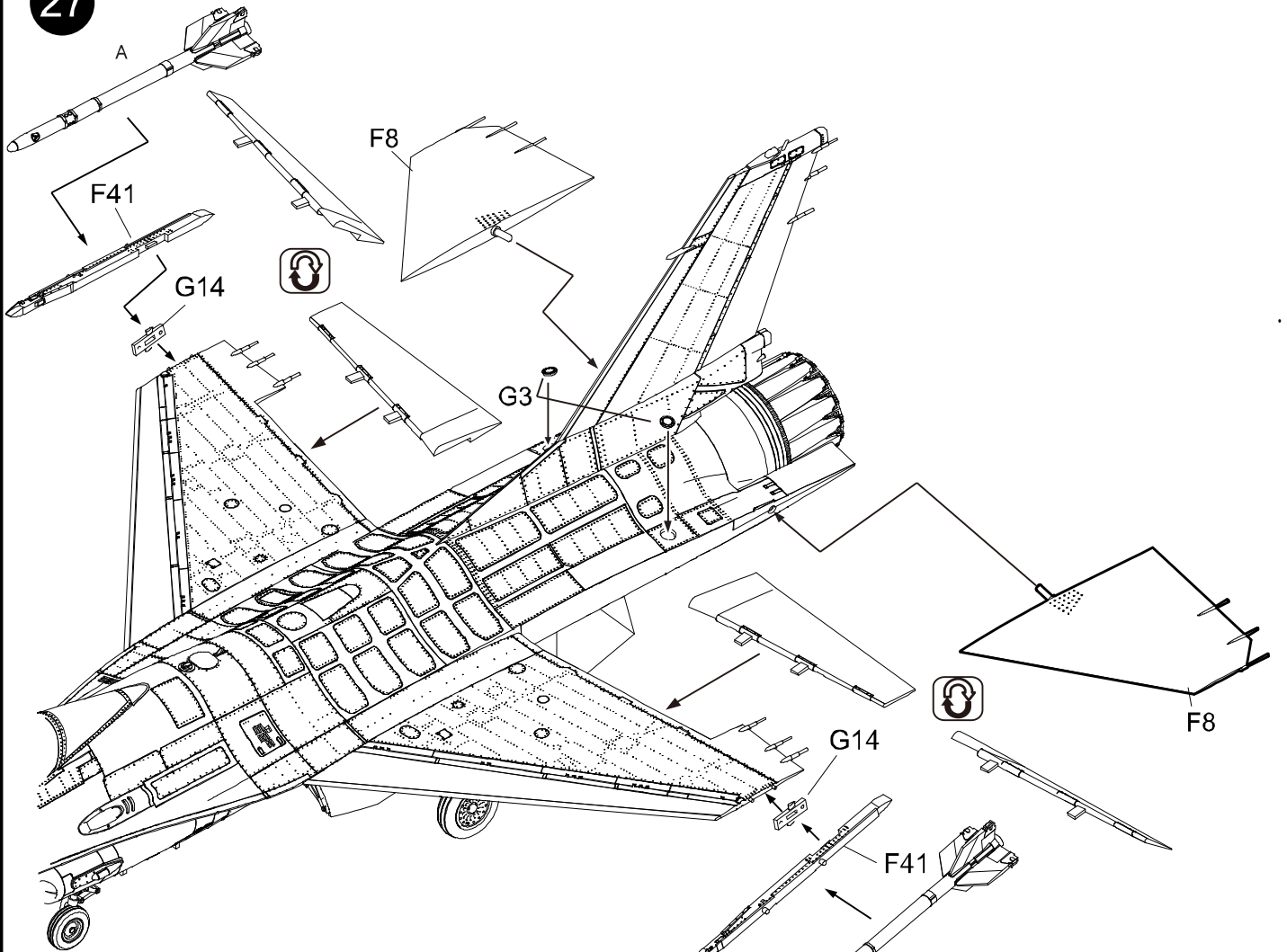
25



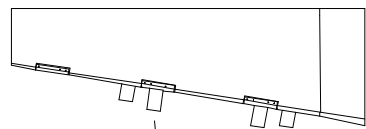
26



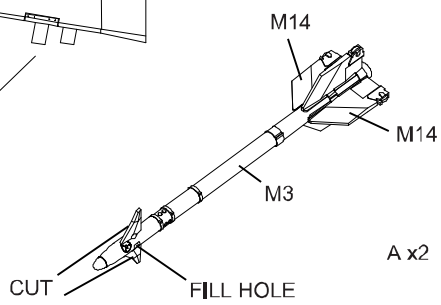
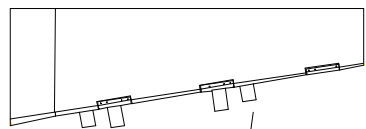
27



OPTIONAL FLAPS DOWN



OPTIONAL FLAPS UP



1/48 F-16A MLU Dream Viper NO.K48154

PAINT A: C 2  
 PAINT B: C 2 75% + C 1 25%  
 PAINT C: C 2 50% + C 1 50%  
 PAINT D: C 338  
 PAINT E: C 338 70% + C 1 30%

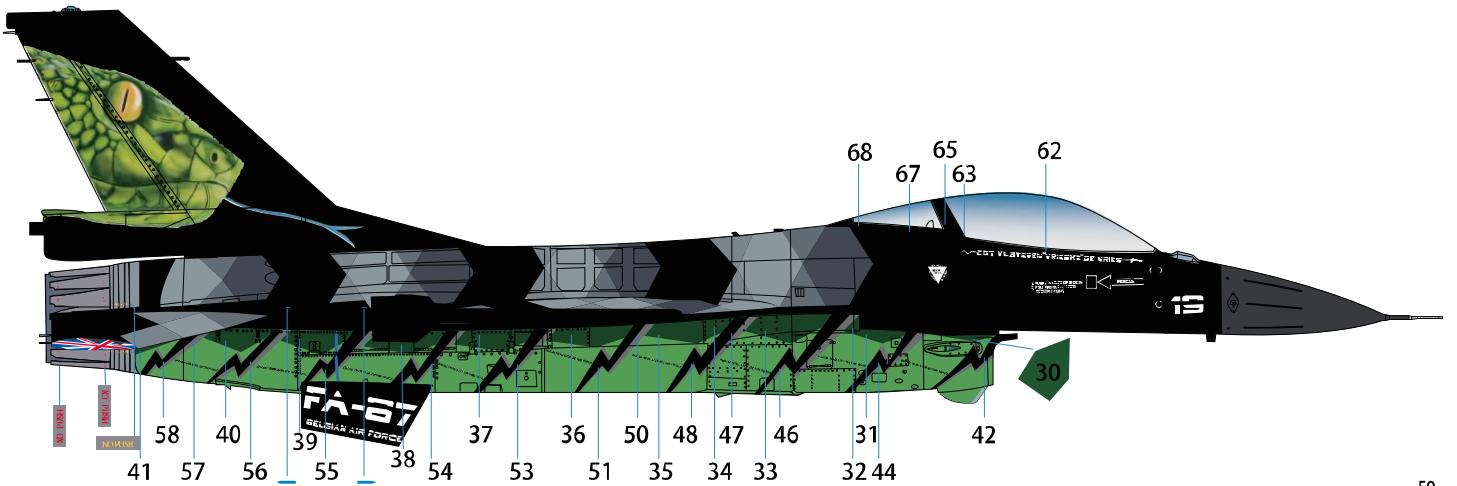
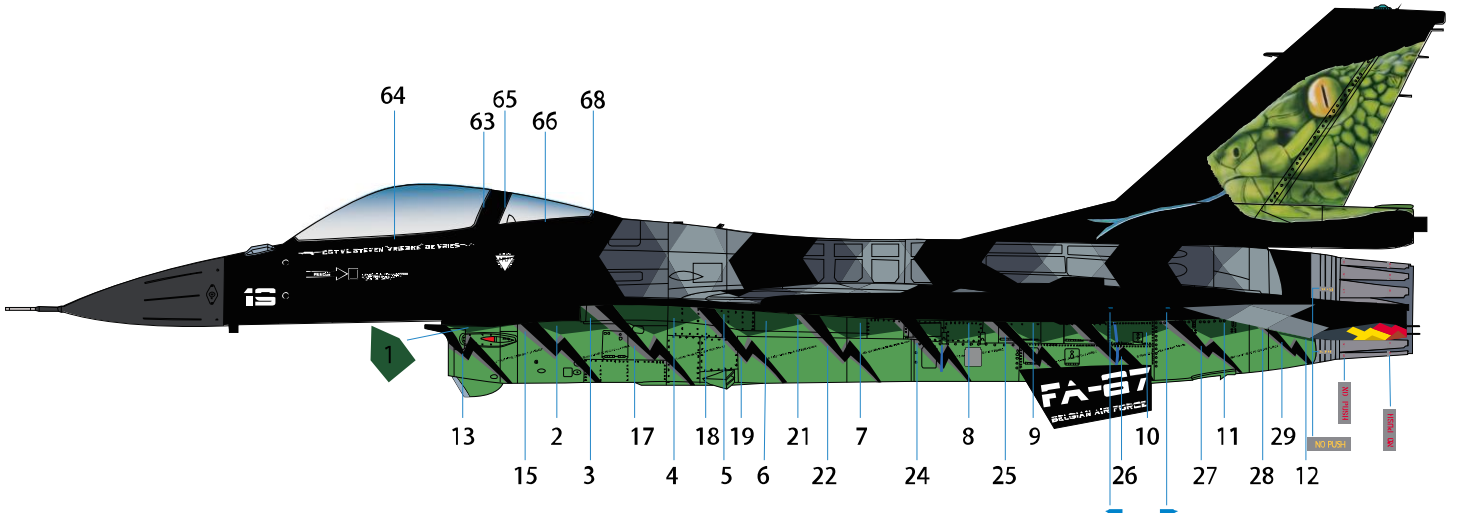
PAINT F: C 1 29% + C 4 57% + C 6 14%  
 PAINT G: GX 6 75% + C 64 25%  
 PAINT H: C 64 83% + C 303 17%  
 PAINT I: C 64 75% + C 303 25%  
 PAINT J: GX 6 14% + C 303 57% + C 64 29%  
 PAINT K: C 92 75% + C 1 25%



**1/48 F-16A MLU Dream Viper NO.K48154**

BELGIAN AF F-16AM "VRIESKE" ROARS AT RIAT AIRSHOW 2022

BELGIAN AF 31ST TIGER SQN  
F-16AM FA-87  
FAIRFORD AFB  
2022



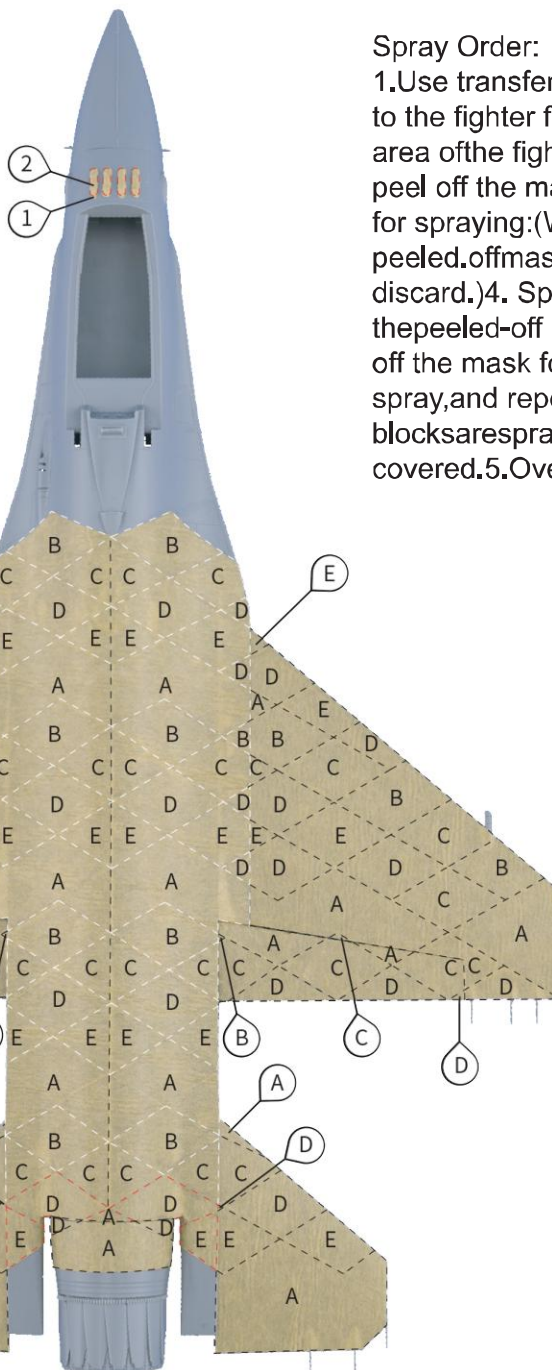
# F-16A

## MLU Dream Viper

机背/DORSAL

喷涂顺序:

- 1、使用转移薄膜将对应位置的遮盖纸全部粘贴到机身;
- 2、自行遮盖战机腹部区域;
- 3、轻轻撕开相同颜色的色块区域的遮盖纸进行喷涂;  
(警告:撕下的遮盖纸将会重复使用,请勿丢弃。)
- 4、喷涂一个色之后将撕去的MASK粘贴回去,重复步骤3,直至全部喷过颜色;
- 5、整体喷涂黑色。



Spray Order:

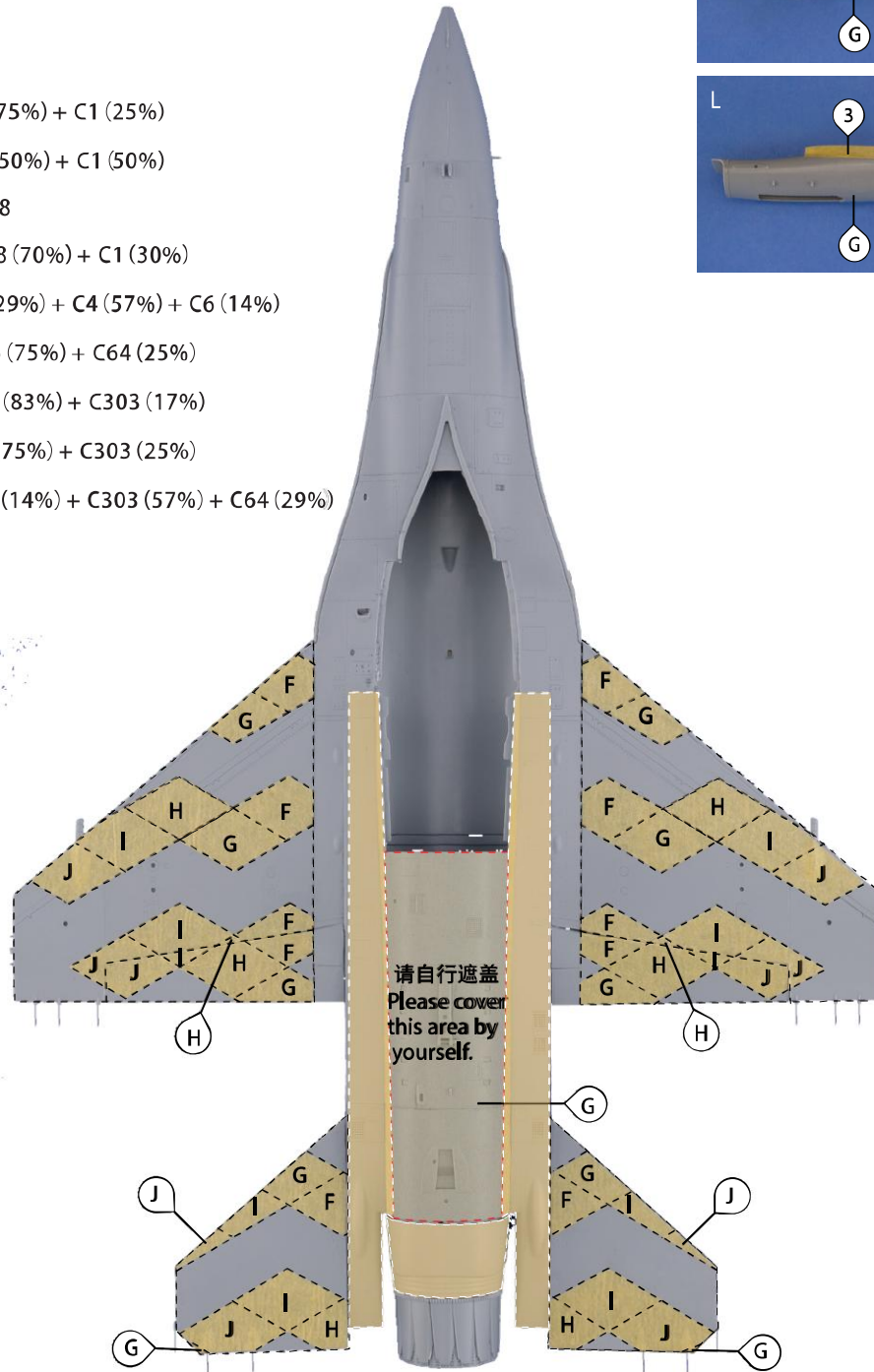
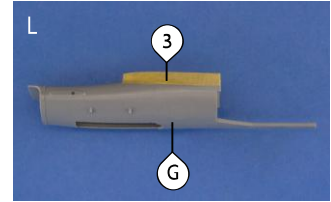
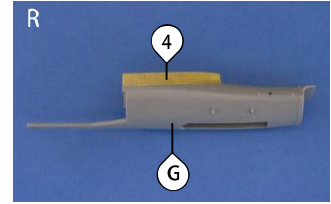
1. Use transfer film to adhere all masks to the fighter fuselage;
2. Shield the belly area of the fighter on your own;
3. Gently peel off the mask in the color block area for spraying: (Warning: the peeled-off mask can be reused, do not discard.)
4. Spray one color, then paste the peeled-off mask back in place. Peel off the mask for the next color area, spray, and repeat step 3 until all color blocks are sprayed and covered.
5. Overall spray in black.

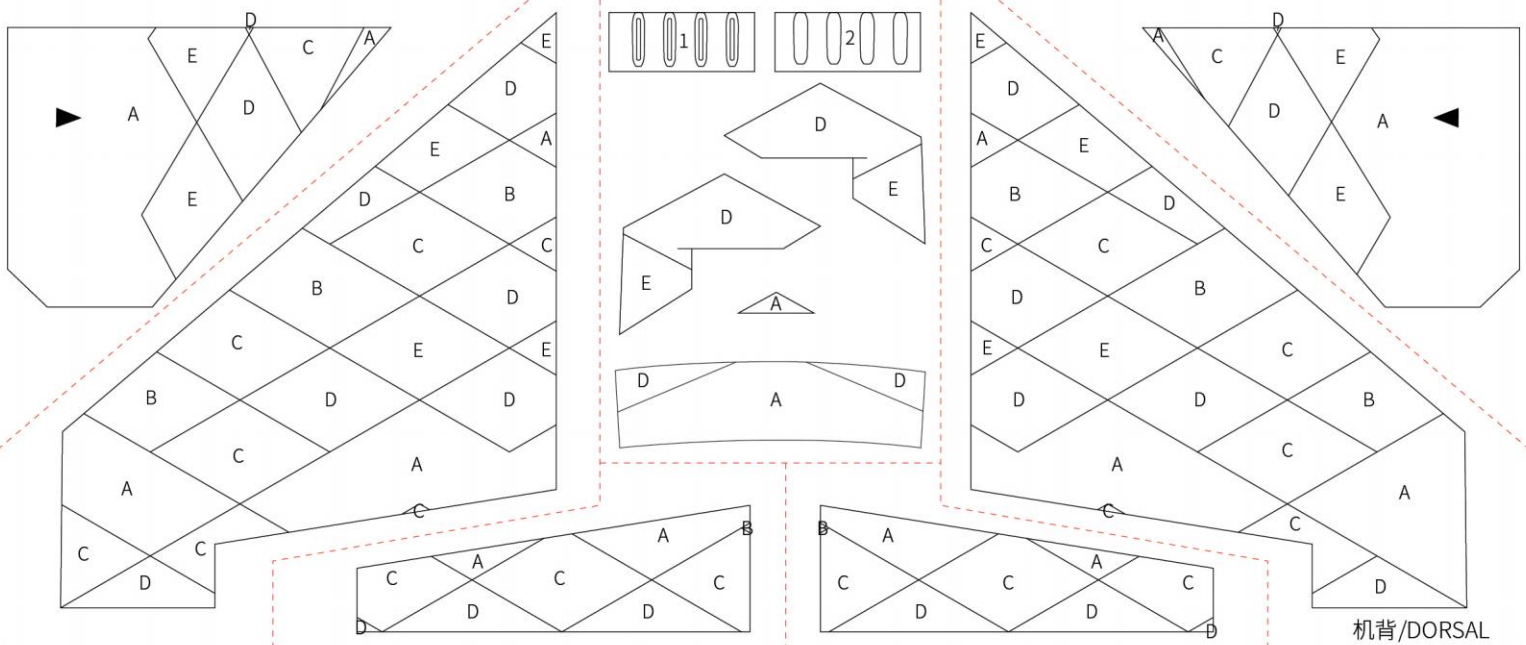


机腹/BENEATH

- A:C2
- B:C2 (75%) + C1 (25%)
- C:C2 (50%) + C1 (50%)
- D:C338
- E:C338 (70%) + C1 (30%)
- F:C1 (29%) + C4 (57%) + C6 (14%)
- G:GX6 (75%) + C64 (25%)
- H:C64 (83%) + C303 (17%)
- I:C64 (75%) + C303 (25%)
- J:GX6 (14%) + C303 (57%) + C64 (29%)

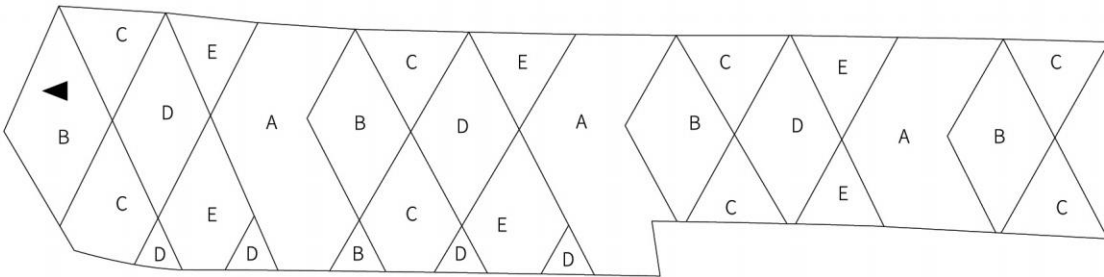
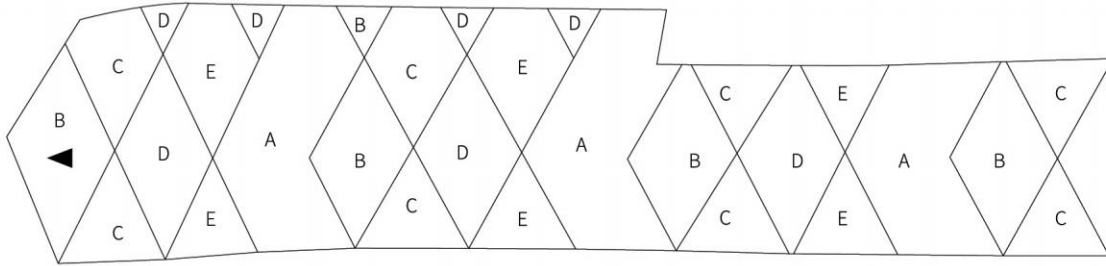
进气道左右侧/L & R INLET





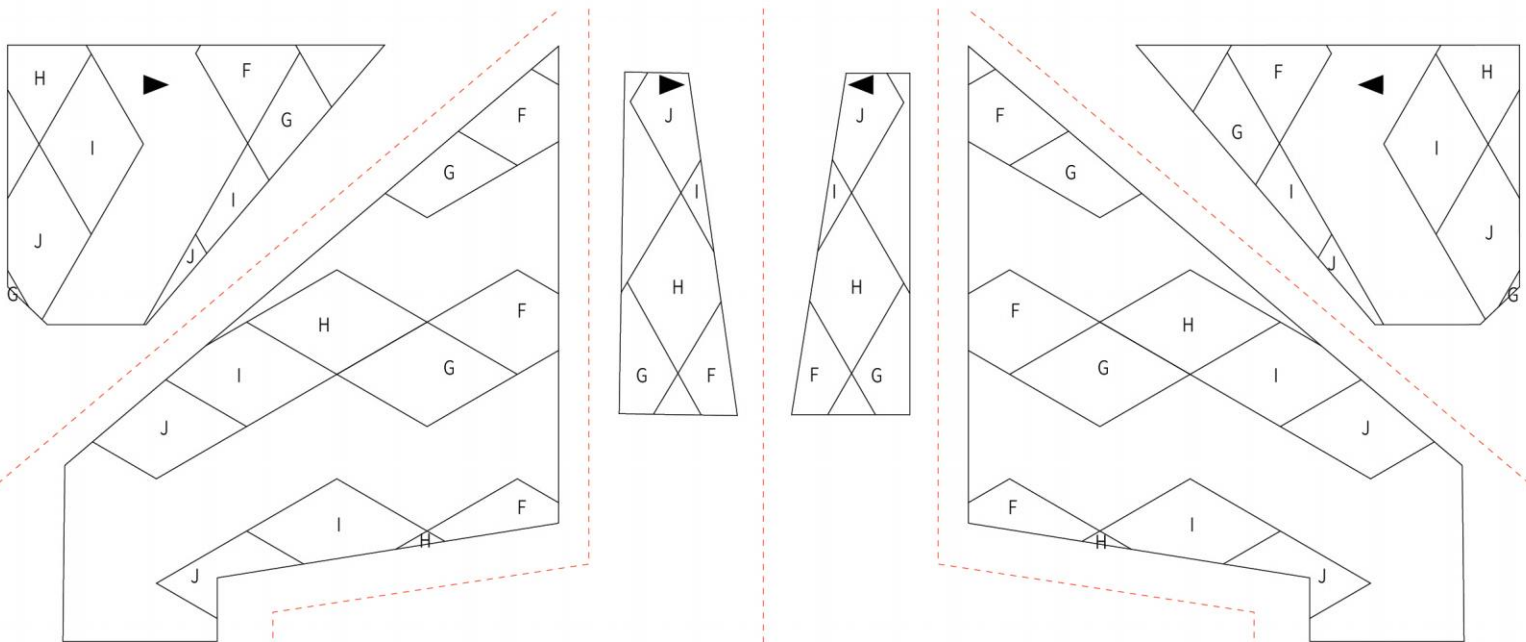
机背/DORSAL

GALAXY MODEL D48050 1/48 F-16AM "VRIESKE" COLOR SEPARATION DIE-CUT FLEXIBLE MASK FOR KINETIC K48100 KIT G48050-1



机背/DORSAL

GALAXY MODEL D48050 1/48 F-16AM "VRIESKE" COLOR SEPARATION DIE-CUT FLEXIBLE MASK FOR KINETIC K48100 KIT D48050-2



机腹/BENEATH

GALAXY MODEL D48050 1/48 F-16AM "VRIESKE" COLOR SEPARATION DIE-CUT FLEXIBLE MASK FOR KINETIC K48100 KIT D48050-3

