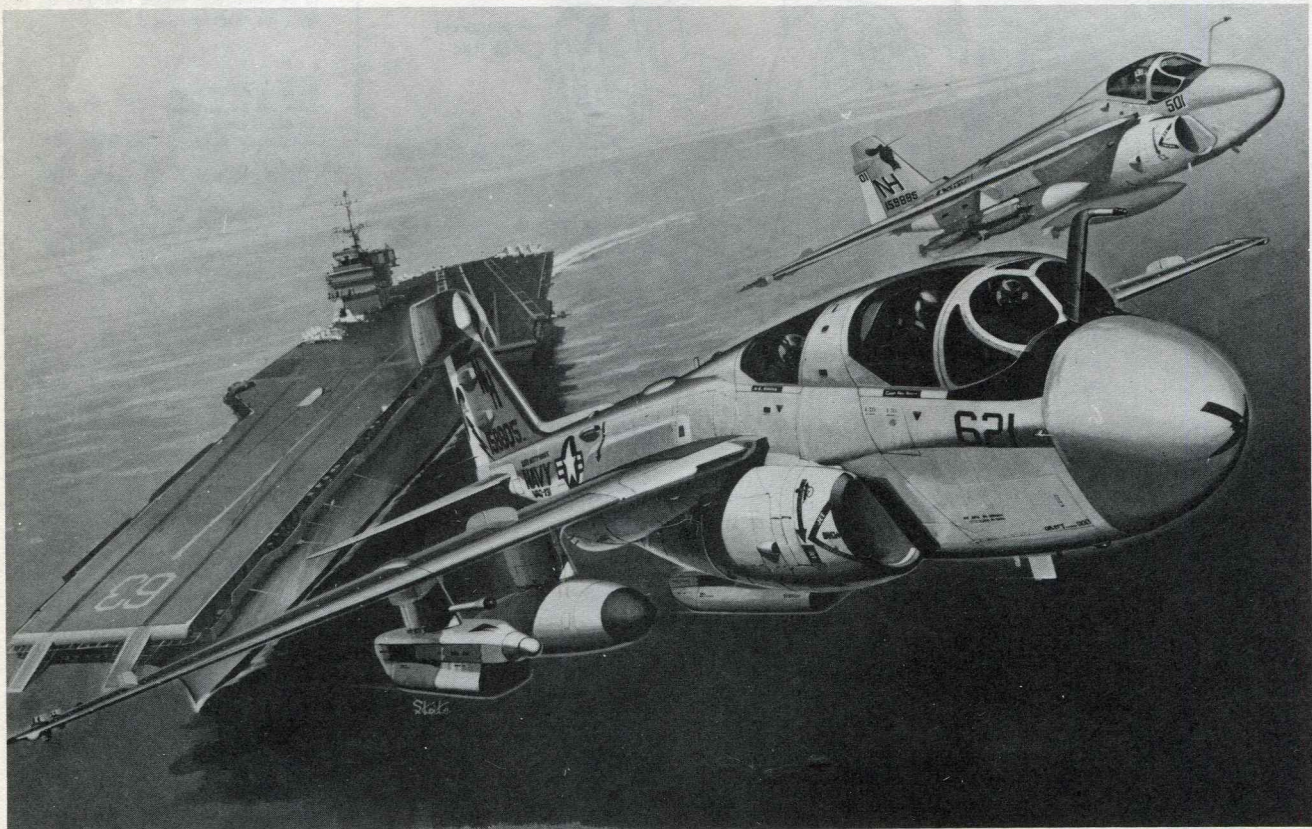


GRUMMAN EA-6B PROWLER

1/72 Scale Series



HASEGAWA



GRUMMAN EA-6B PROWLER HISTORY

Initially flown on May 25, 1968, the Grumman EA-6B Prowler is an unarmed electronics countermeasures aircraft carrying four crewmen and some of the most sophisticated electronics gear ever enclosed in an airframe. Based on the Grumman A-6A Intruder attack bomber, which could carry over 15,000 lbs of bombs, the Prowler uses its load-carrying ability to tote around some/twenty-three million dollars worth of little black boxes to jam and deceive enemy radar stations.

Externally, the Prowler differs most notably from the A-6A in the nose area, which was extended 40 inches forward of the cockpit to permit the addition of two more crewmen. The extra crew operates the electronics systems, which consist of a wide range of ECM gear, including ALQ-92 and ALQ-99 jammers. These systems are mounted in streamlined pods slung under the plane. Power for the jamming units comes from a self-contained wind-driven generator mounted on the nose of each pod.

Each one creates enough electrical energy to power a good-sized town. Also included in the electronic gear is a radar deception transmitter designed to mislead the enemy radars into thinking that there is actually nothing in the airspace being occupied by the attacking squadron.

EA-6B CHARACTERISTICS

DIMENSIONS : Wingspan—53 feet

Length—59 feet 1 inch

POWERPLANT : Two Pratt & Whitney J52-P-408 turbojets with 11,200 lbs thrust each.

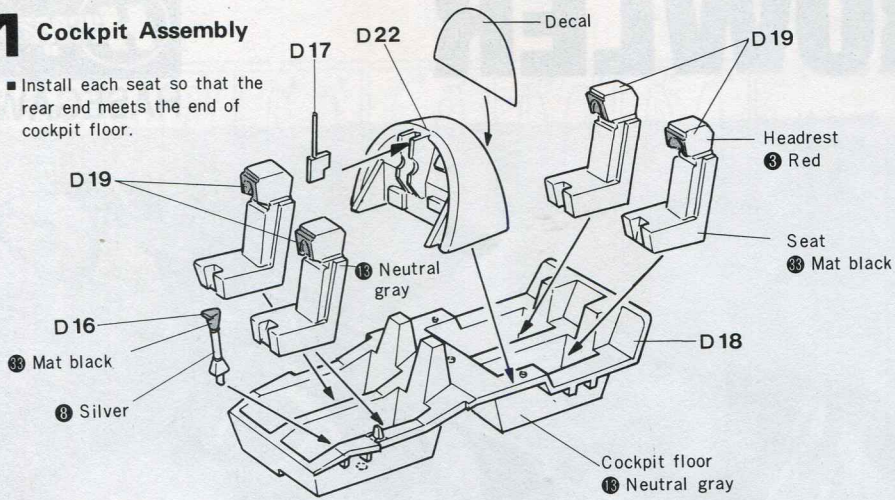
PERFORMANCE : Maximum speed—599 mph at sea level

Service ceiling—39,000 feet

ARMAMENT : No armament is carried. The EA-6B accompanies several armed attack bombers on a mission and uses its gear to confuse enemy radar and interception systems.

1 Cockpit Assembly

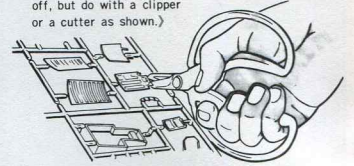
- Install each seat so that the rear end meets the end of cockpit floor.



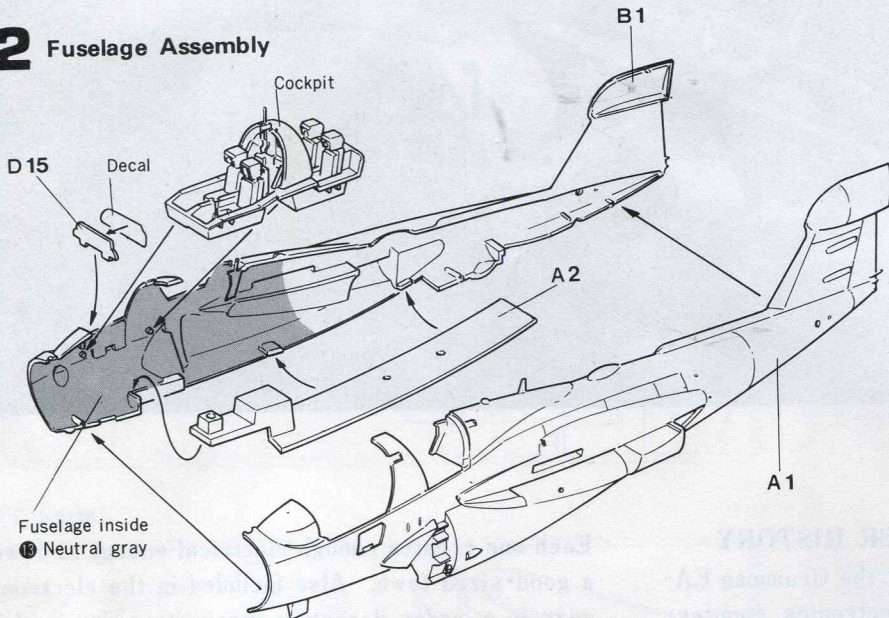
(BEFORE ASSEMBLING)

- Read these instructions carefully before assembling your model and follow them.
- Cut off the parts from the stem with a nipper or a cutter.
- When using adhesive, apply it to both parts to be cemented. Please take care not to apply too much adhesive.

(To cut off parts from the runner, do not tear them off, but do with a clipper or a cutter as shown.)

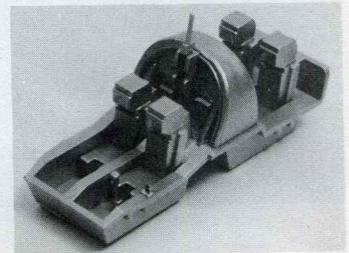


2 Fuselage Assembly



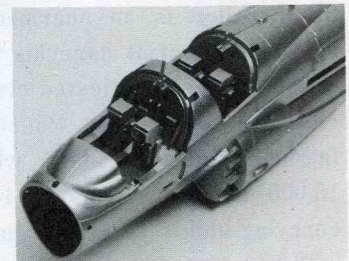
1 (Cockpit Assembly)

Paint the whole cockpit in light gray at first, and then paint the details. Never fail to put decals.

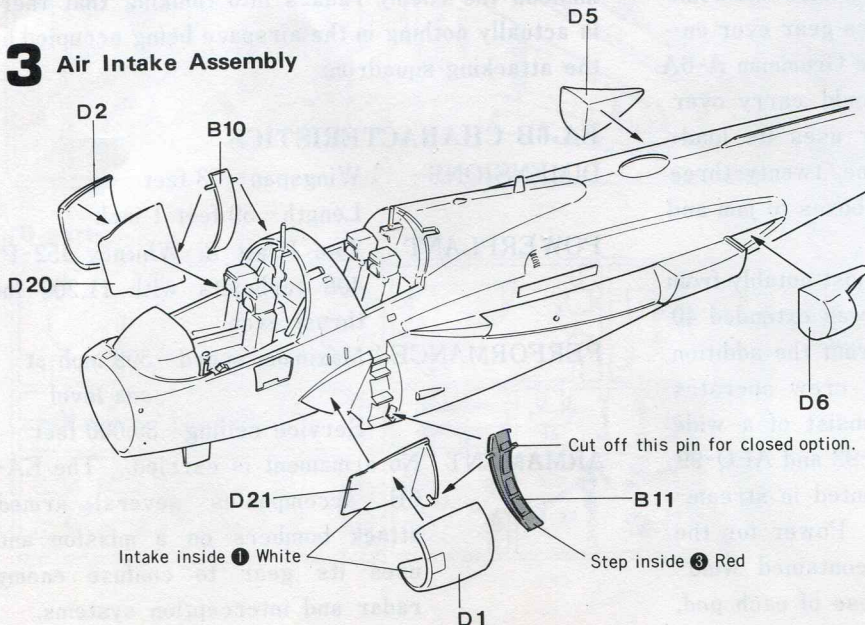


2 (Fuselage Assembly)

It is suggested to assemble fuselage temporarily before cementing it. Apply decal on instrument panel.

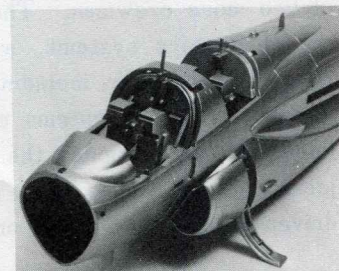


3 Air Intake Assembly

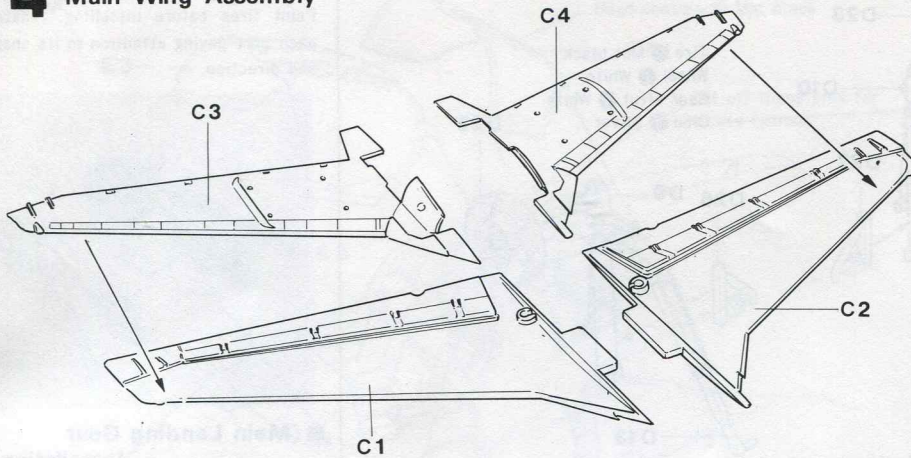


3 (Air Intake Assembly)

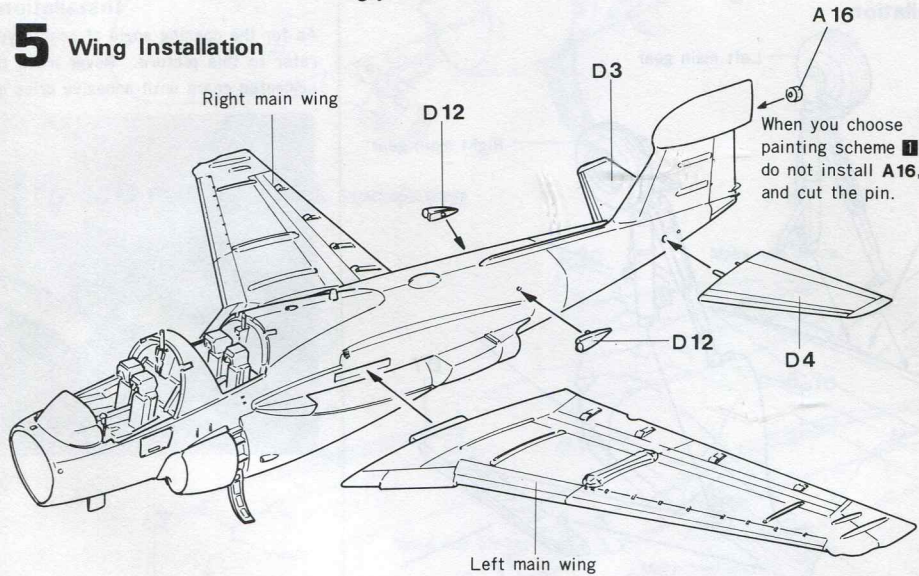
Cut off the installation pin when you choose closed option of step.



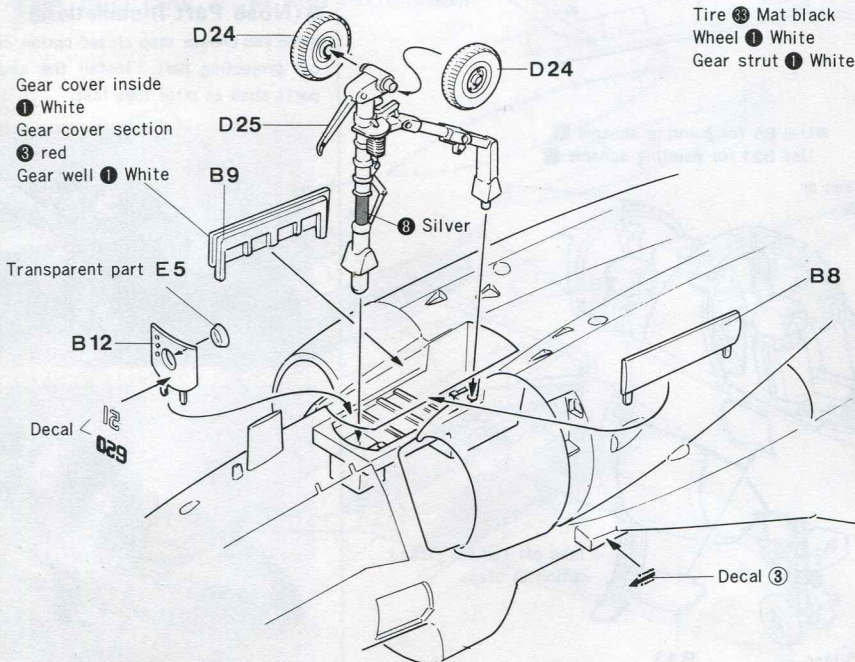
4 Main Wing Assembly



5 Wing Installation

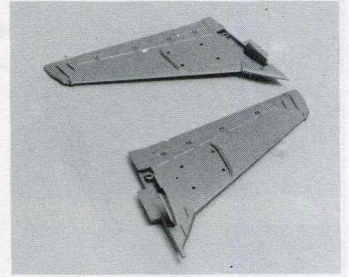


6 Nose Landing Gear Assembly



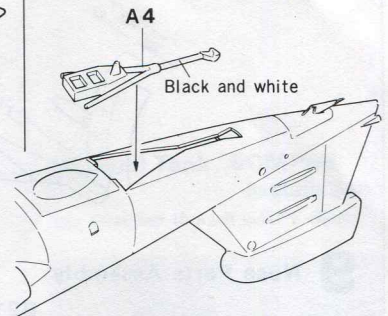
4 (Main Wing Assembly)

Apply adhesive on both parts which are cemented. Fix the cemented area using adhesive tape or clip until adhesive dries up.



5 (Wing Installation)

Horizontal tails have no dihedral and cathedral angle.

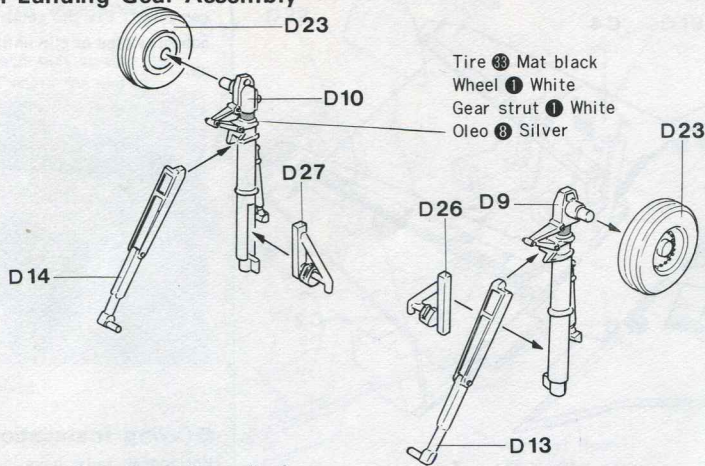


6 (Nose Landing Gear Assembly)

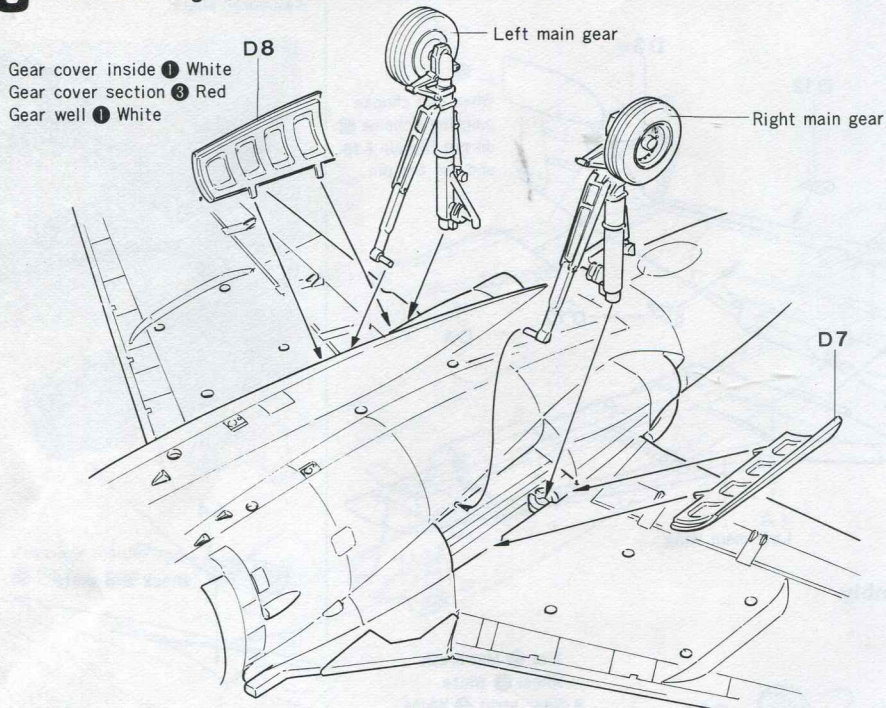
Put a decal on nose gear cover and outside of sub-intake.



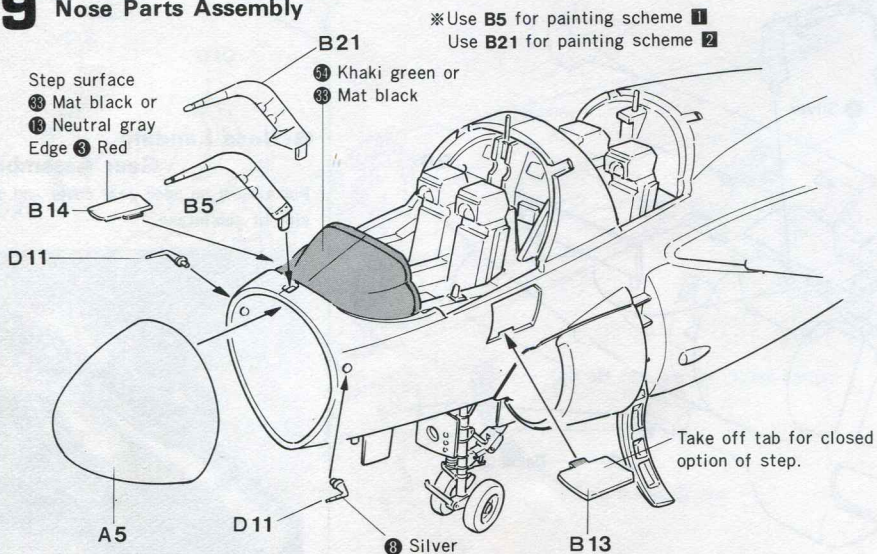
7 Main Landing Gear Assembly



8 Main Landing Gear Installation

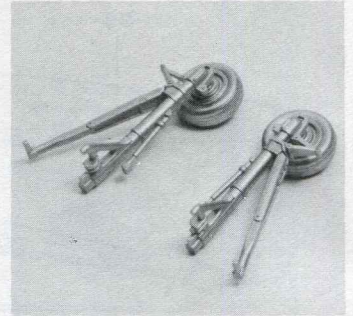


9 Nose Parts Assembly



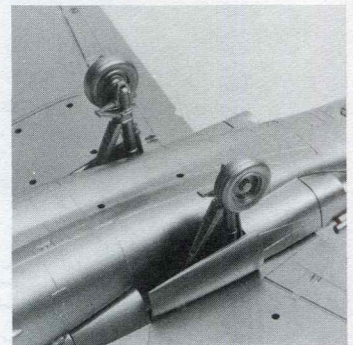
7 <Main Landing Gear Assembly>

Paint tires before installing. Install each part paying attention to its shape and direction.



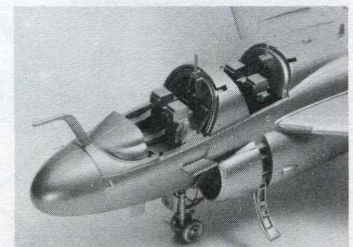
8 <Main Landing Gear Installation>

As for the opening angle of gear cover, refer to this picture. Never move the cemented gears until adhesive dries up.

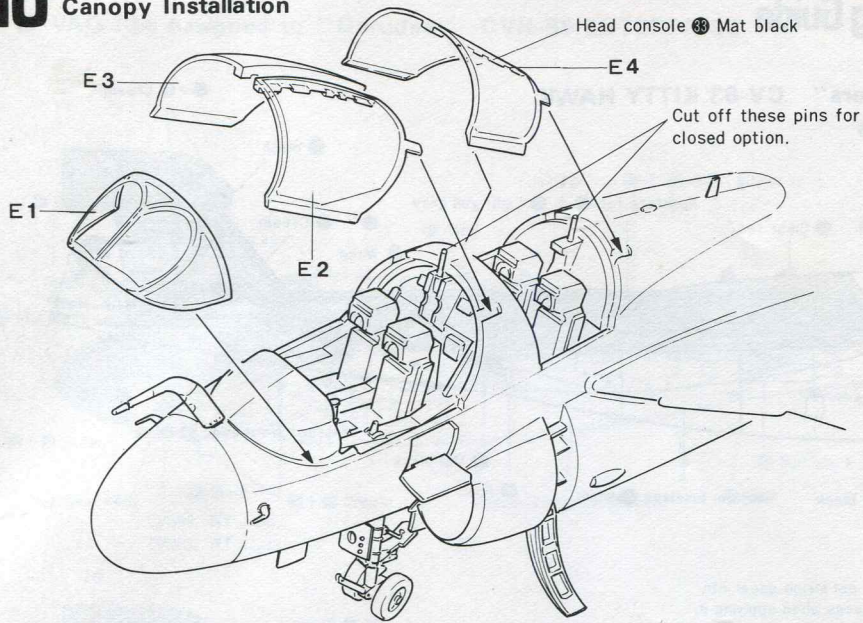


9 <Nose Part Installation>

When you choose step closed option, cut off projecting part. Install the small parts such as pitot tube last.



10 Canopy Installation

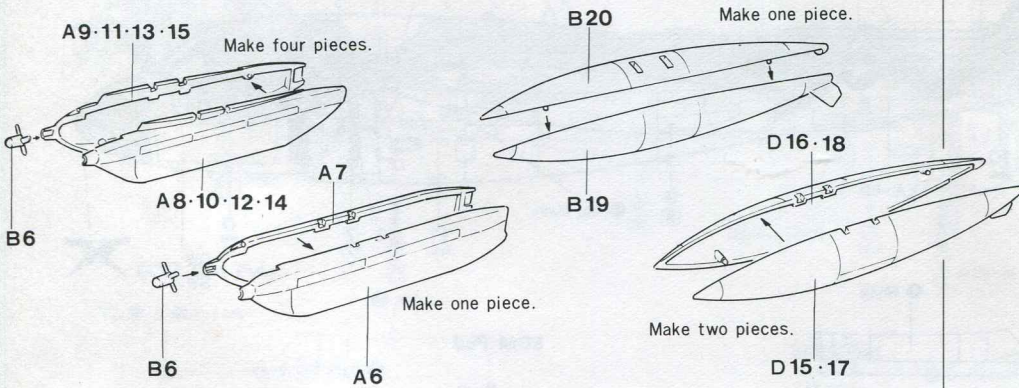


10 <Canopy Installation>

Cut off canopy actuator pins when you choose closed option of canopy.



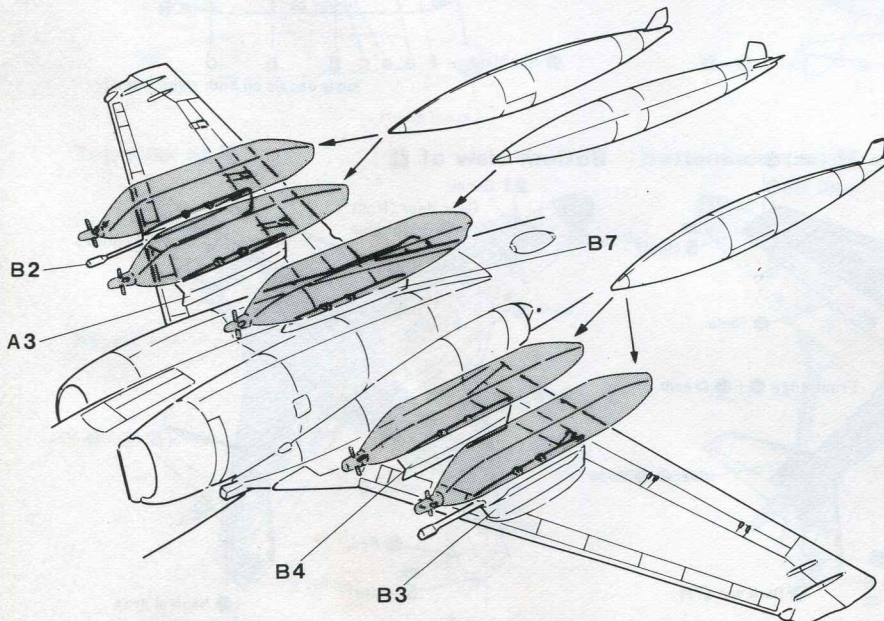
11 ECM Pod, Fuel Tank Installation



11 <ECM Pod, Fuel Tank Assembly>

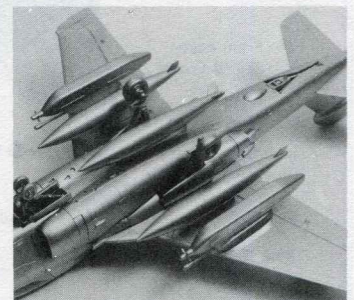
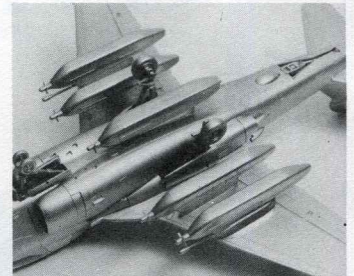
Assembly two kinds of ECM Pods and fuel tanks.

12 Fuel Tank, ECM Pod Installation



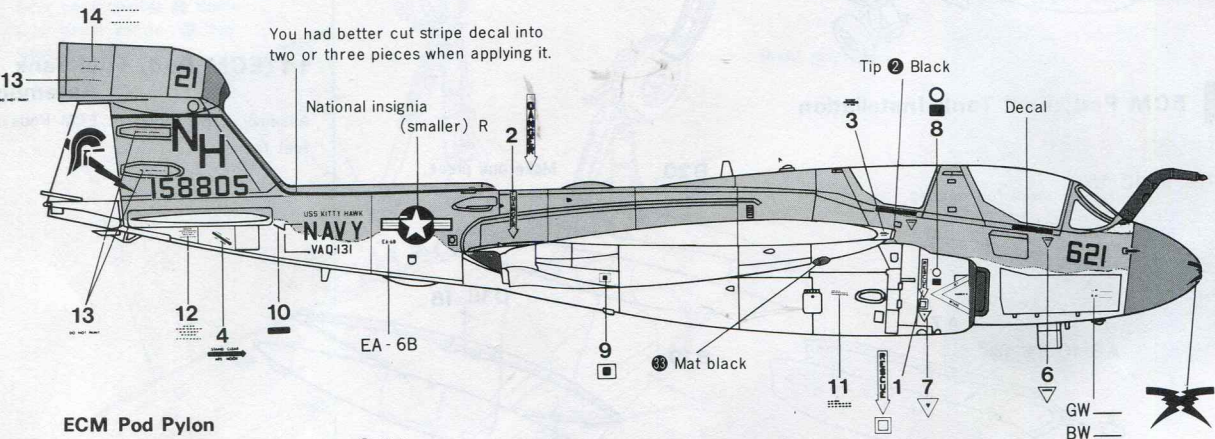
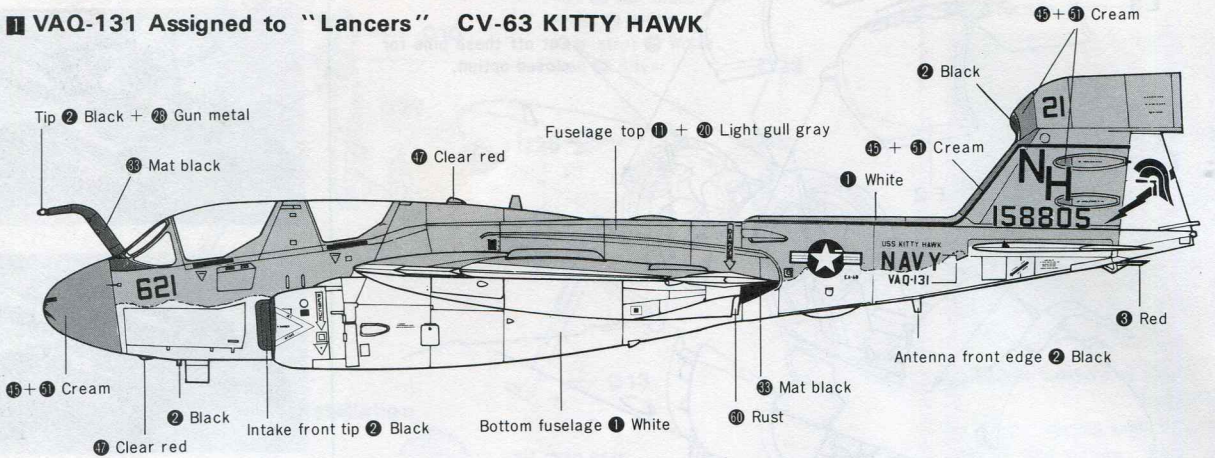
12 <Fuel Tank, ECM Pod Installation>

Pay attention to each pylon's shape.

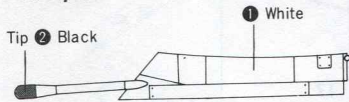


Marking & Color Painting Guide

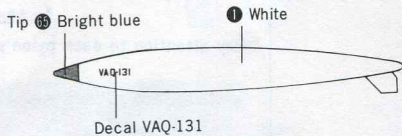
VAQ-131 Assigned to "Lancers" CV-63 KITTY HAWK



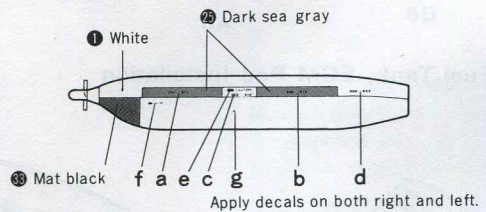
ECM Pod Pylon



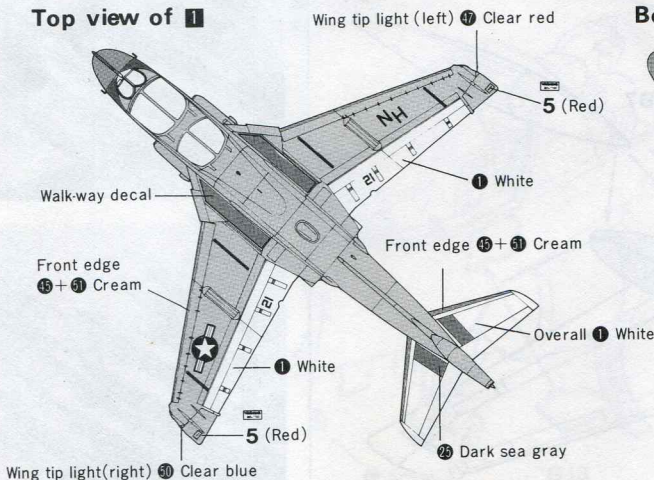
Drop Tank



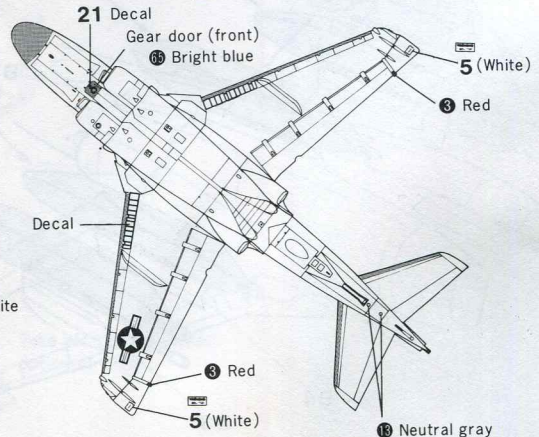
ECM Pod



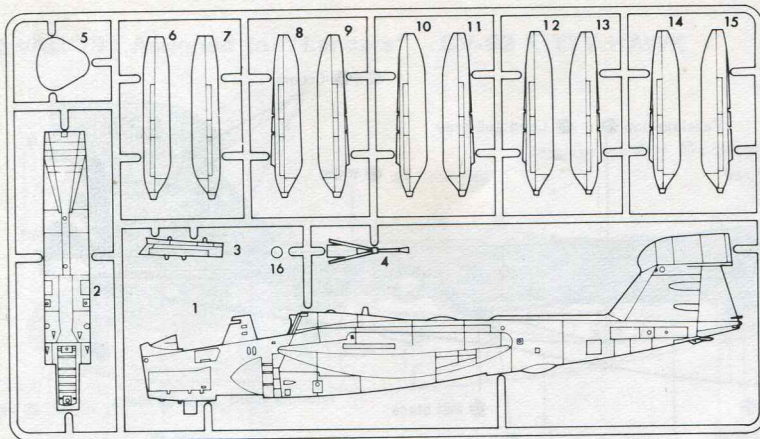
Top view of 1



Bottom view of 1



<A-parts>



<Parts No. & Name>

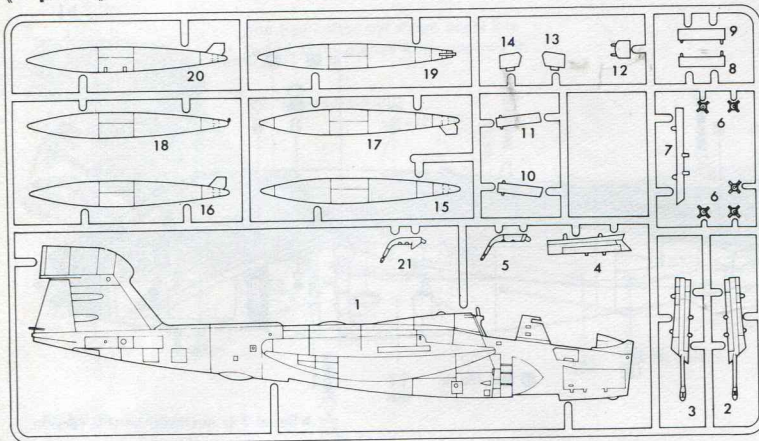
<A-parts>

1. Left fuselage
2. Fuselage bottom
3. Pylon B
4. Arresting hook
5. Radome
6. ECM Pod A (L)
7. " A (R)
8. " B (L)
9. " " (R)
10. " " (L)
11. " " (R)
12. " " (L)
13. " " (R)
14. " " (L)
15. " " (R)
16. Bubble radome part

<D-parts>

1. Air intake (L)
2. Air intake (R)
3. Horizontal tail (L)
4. Horizontal tail (R)
5. Exhaust nozzle (R)
6. Exhaust nozzle (L)
7. Main gear door (R)
8. Main gear door (L)
9. Main gear strut (R)
10. Main gear strut (L)
11. Pitot tube
12. Air intake
13. Main gear strut (R)
14. Main gear strut (L)
15. Instrument panel
16. Control stick
17. Canopy actuator
18. Cockpit floor
19. Ejection seat
20. Boundary layer fence (R)
21. Boundary layer fence (L)
22. Bulk head
23. Main wheel
24. Nose wheel
25. Nose gear strut
26. Main gear strut part (L)
27. Main gear strut part (R)

<B-parts>



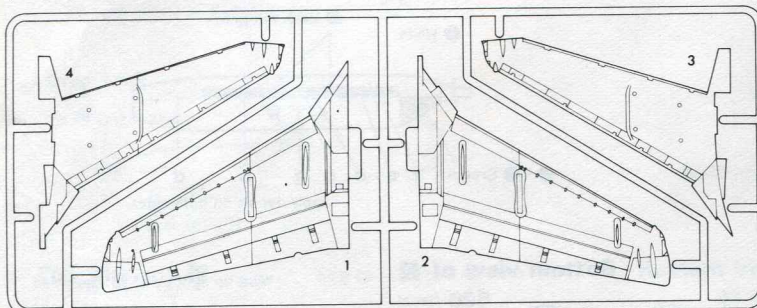
<B-parts>

1. Fuselage (R)
2. Pylon A (L)
3. Pylon A (R)
4. Pylon B
5. In-flight refueling probe A
6. ECM Pod fan
7. Pylon C
8. Nose gear door (R)
9. Nose gear door (L)
10. Boarding ladder (R)
11. Boarding ladder (L)
12. Nose gear door A
13. Boarding step (L)
14. Boarding step (R)
15. Fuel tank B (L)
16. " B (R)
17. " B (L)
18. " B (R)
19. " A (L)
20. " A (R)
21. In-flight refueling probe B

<E-parts>

1. Wind screen
2. Front canopy (L)
3. Front canopy (R)
4. Rear canopy
5. Landing light

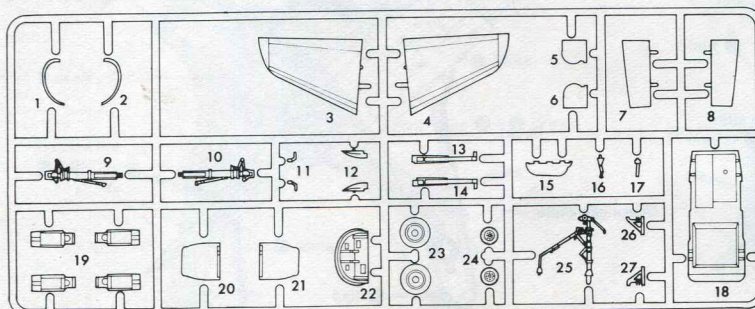
<C-parts>



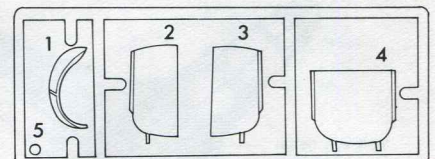
<C-parts>

1. Main wing top (L)
2. Main wing top (R)
3. Main wing bottom (L)
4. Main wing bottom (R)

<D-parts>



<E-parts>



GRUMMAN EA-6B PROWLER

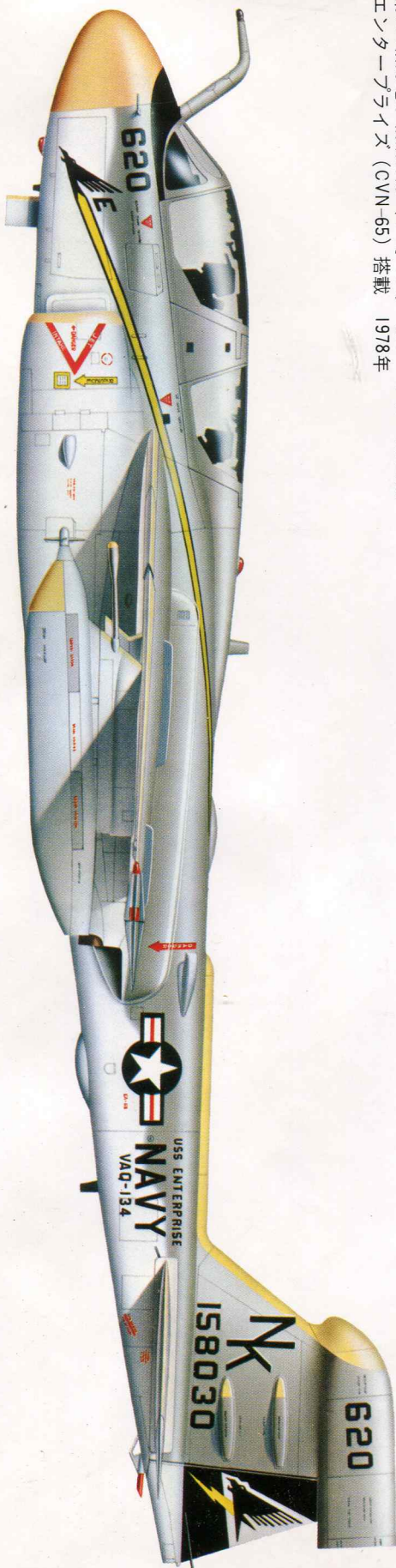


1/72スケール **グロマンEA-6Bプロウラー**
 〈ハセガワカラーガイド〉

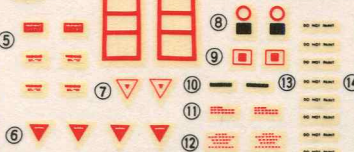
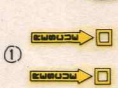
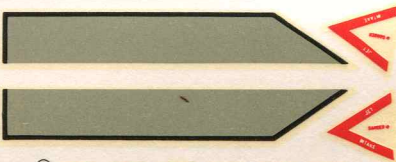
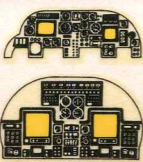
1 第131戦術電子戦飛行隊 (VAQ-131) “ランサーズ” 所属機
 キティ・ホーク (CV-63) 搭載 1978年



2 第134戦術電子戦飛行隊 (VAQ-134) “ガルーダズ” 所属機
 エンタープライズ (CVN-65) 搭載 1978年



詳しい塗装解説は組立説明図を
 ごらんください。



ⓑ	000 013	000 013	000 013	000 013	000 013	000 013	000 013	
ⓑ	000 013	000 013	000 013	000 013	000 013	000 013	000 013	EA-60
ⓒ	000 010	000 010	000 010	000 010	000 010	000 010	000 010	EA-60
ⓓ	000 033	000 033	000 033	000 033	000 033	000 033	000 033	
ⓔ	CAUTION	CAUTION						
ⓕ	CAUTION	CAUTION	ⓕ					
ⓖ	CAUTION	CAUTION						

USS ENTERPRISE NAVY VAQ-134 USS ENTERPRISE NAVY VAQ-134

GROSS WT
BASIC WT

620 主翼

158030 158030 620 620 620 620 620 620

NK NK NK

USS KITTY HAWK NAVY VAQ-131 USS KITTY HAWK NAVY VAQ-131

GROSS WT
BASIC WT

621 主翼

158805 158805 621 621 21 21 21 21

NH NH NH

VAQ-131
VAQ-131
VAQ-131
VAQ-131

MADE IN JAPAN