

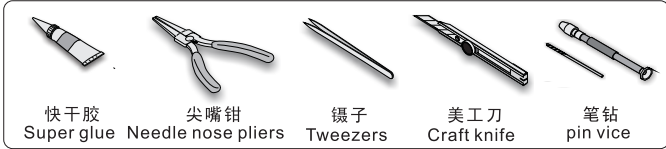
1/35 MILITARY MINIATURE VEHICLE UPGRADE SERIES PE35223

WWII US M5A1 early version Basic

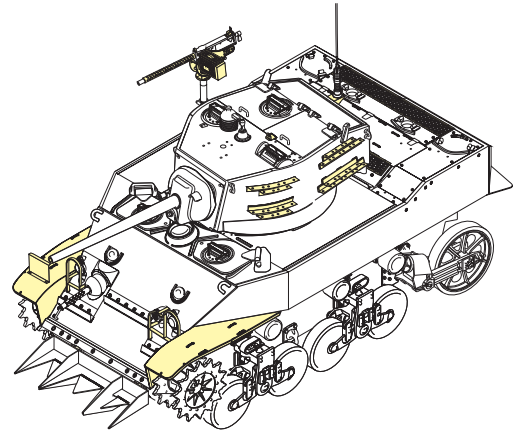
二战美军M5A1坦克早期型基础改造件


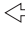








[For AFV Club 35105]


推荐使用工具 RECOMMENDED TOOLS



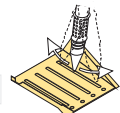
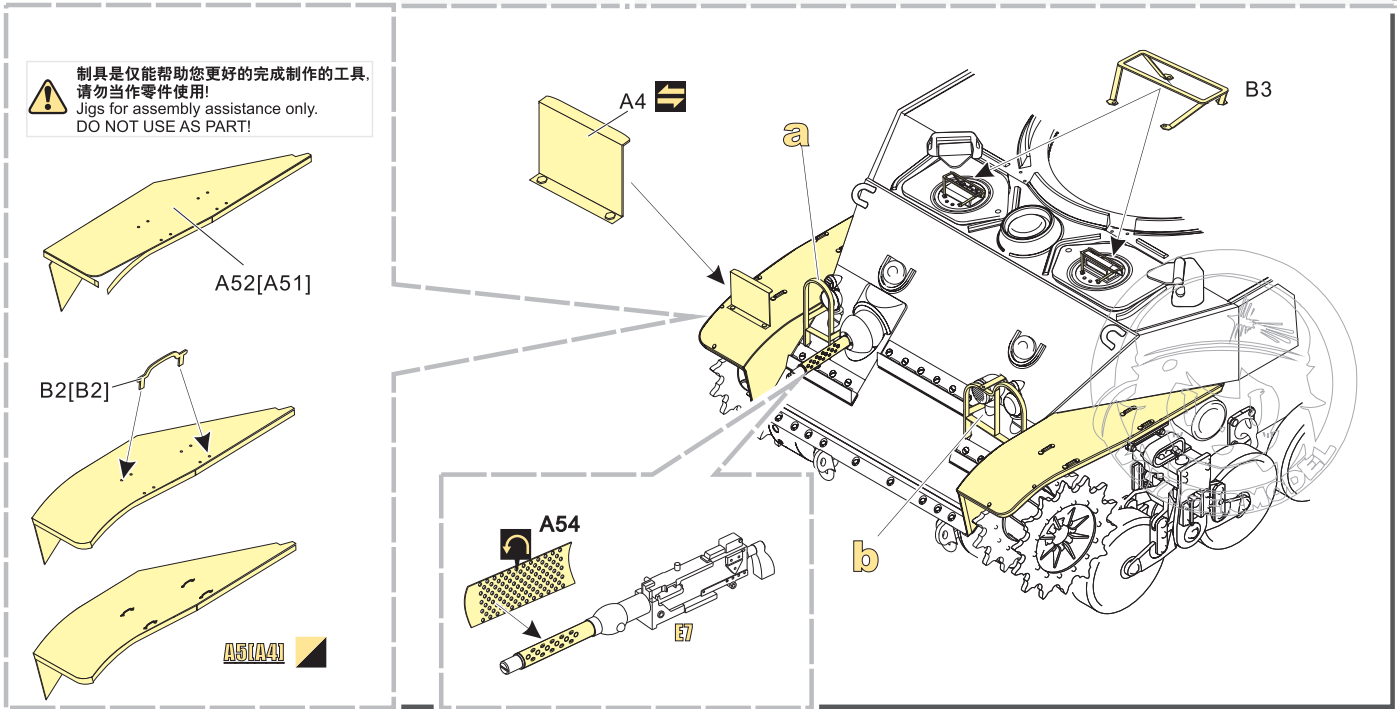
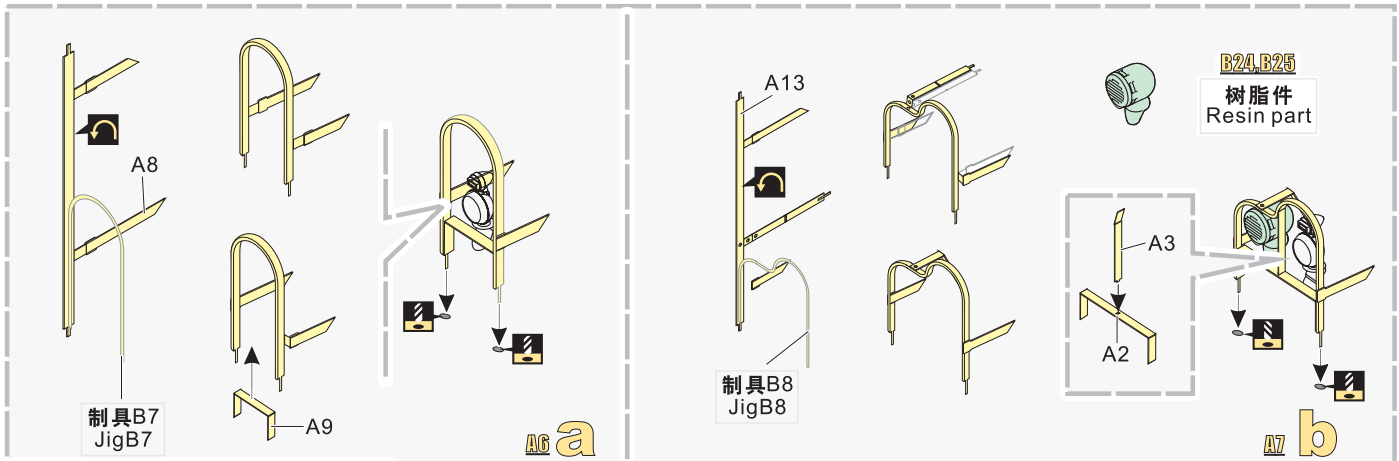
快干胶 Super glue 尖嘴钳 Needle nose pliers 镊子 Tweezers 美工刀 Craft knife 笔钻 pin vice



- 
安装
install
 - 
折叠
bend
 - A1**
改造件零件编号
PE/resin part number
 - B12**
原零件编号
kit part number
 - C22**
被替换的原零件编号
replaced kit part number
 - 
 另一侧相同制作
repeat on opposite side
-
- 
切除
remove
 - 
打磨
grind off
 - 
弧度卷曲
radial bending
 - 
制作若干组
multiple assembly
 - 
选择安装
alternative
 - 
钻孔
drill
 - 
用胶棒制作
make from plastic rod

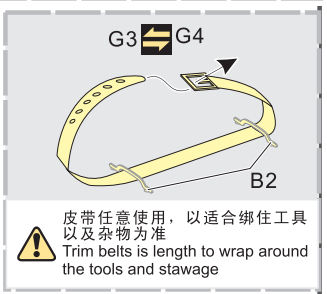
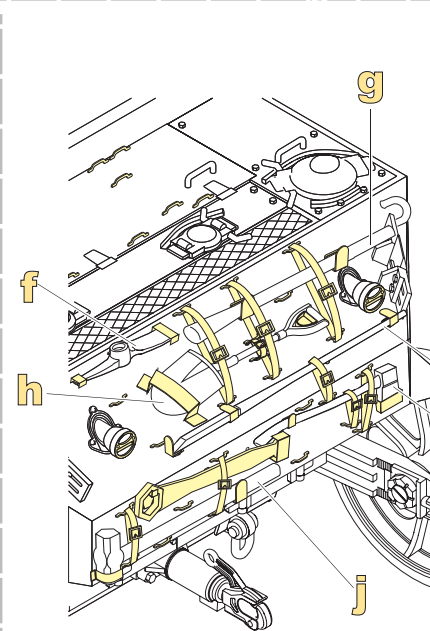
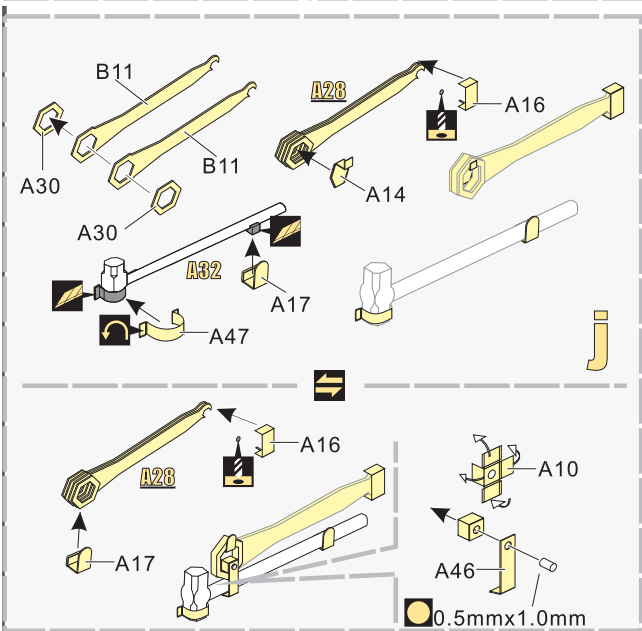
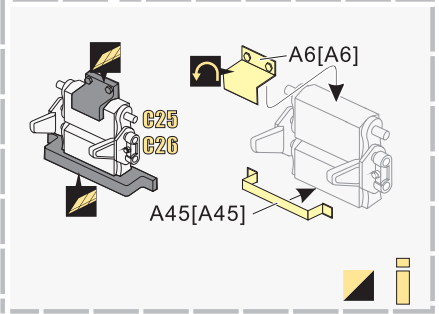
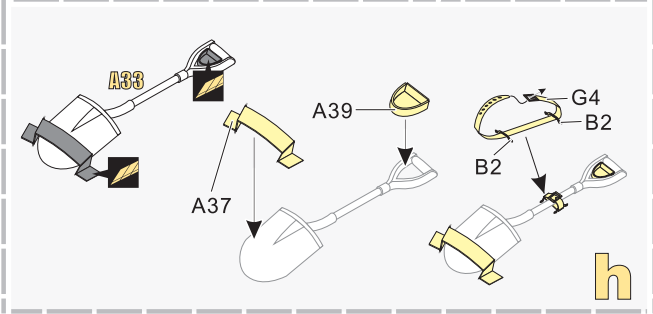
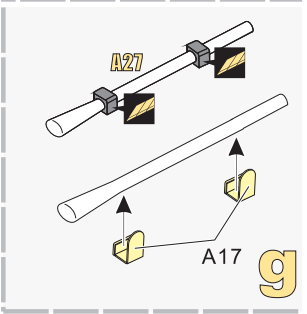
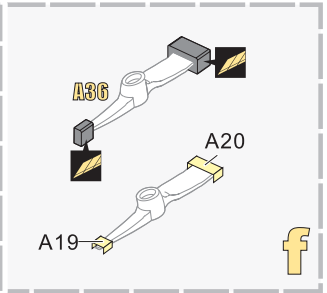
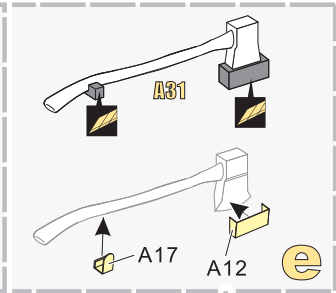
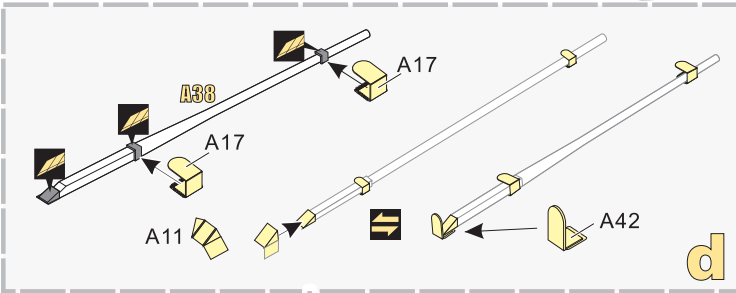
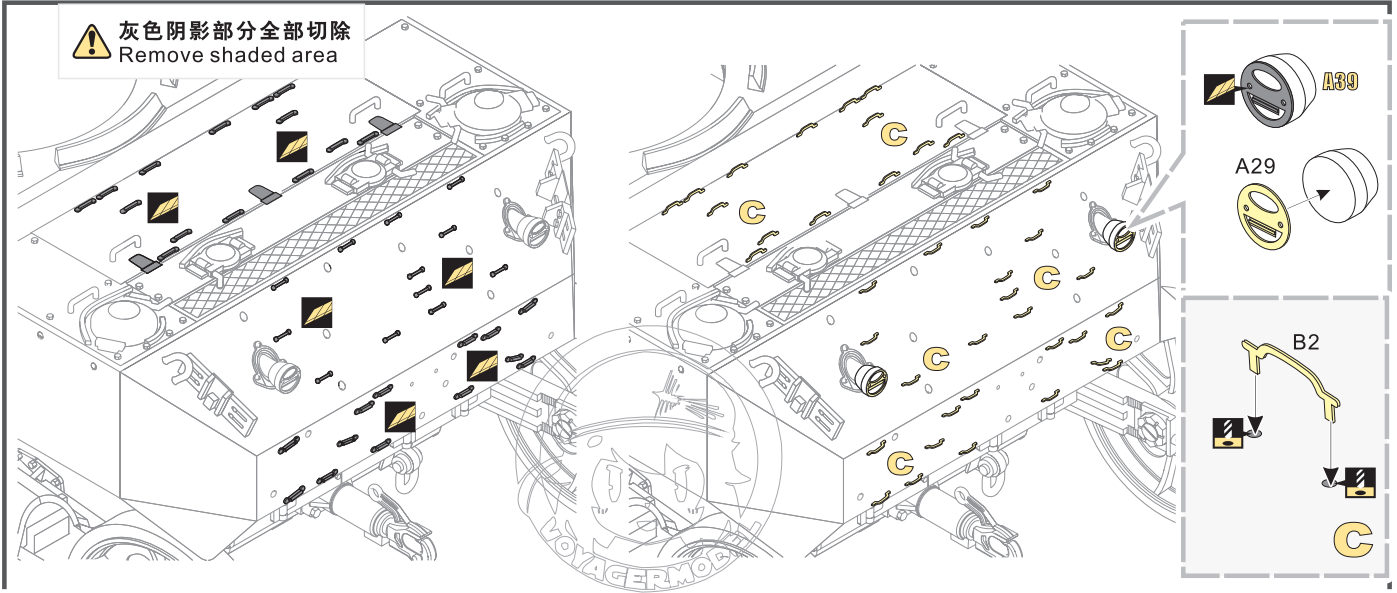

 用尖端在凹槽处冲压
use penpoint to press on the dent

蚀刻片零件内侧面向上
Put the part upside down
 用笔尖在凹槽处刺
Use penpoint to press on the dent

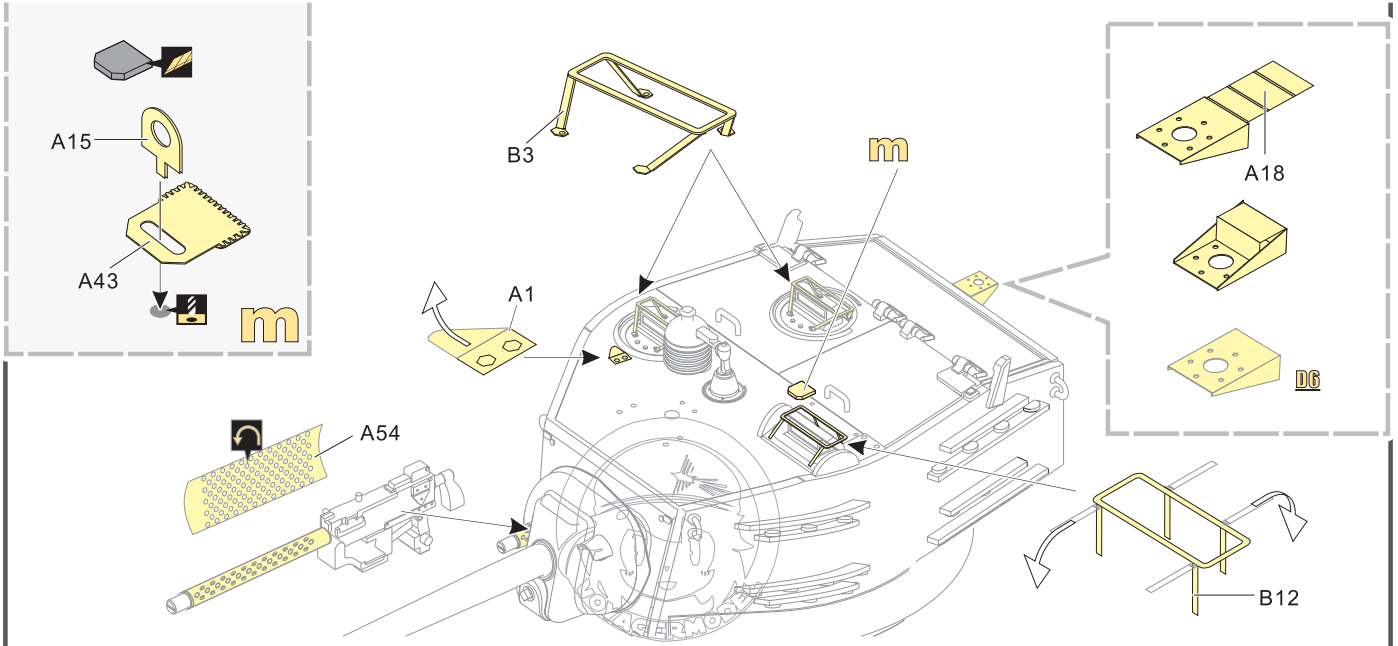
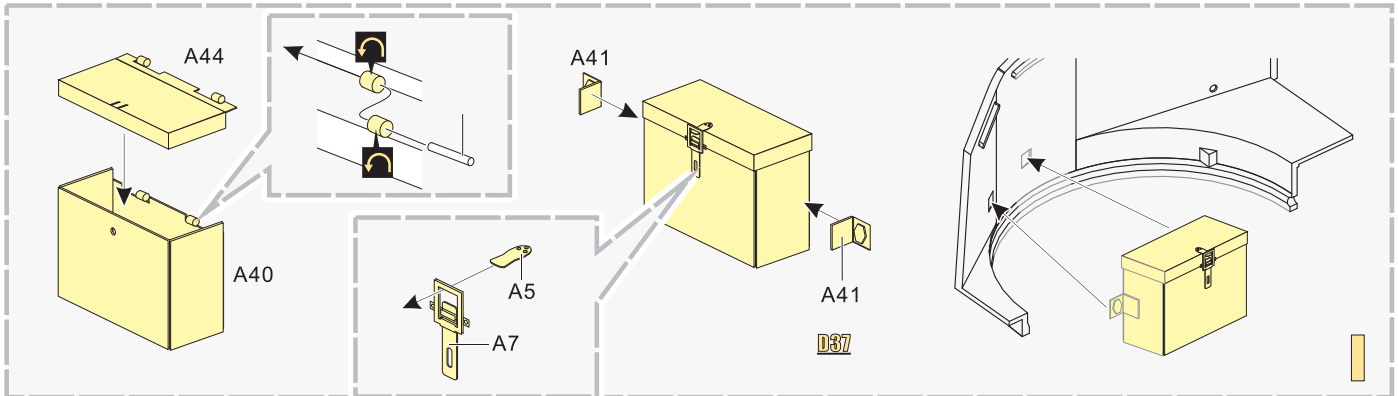
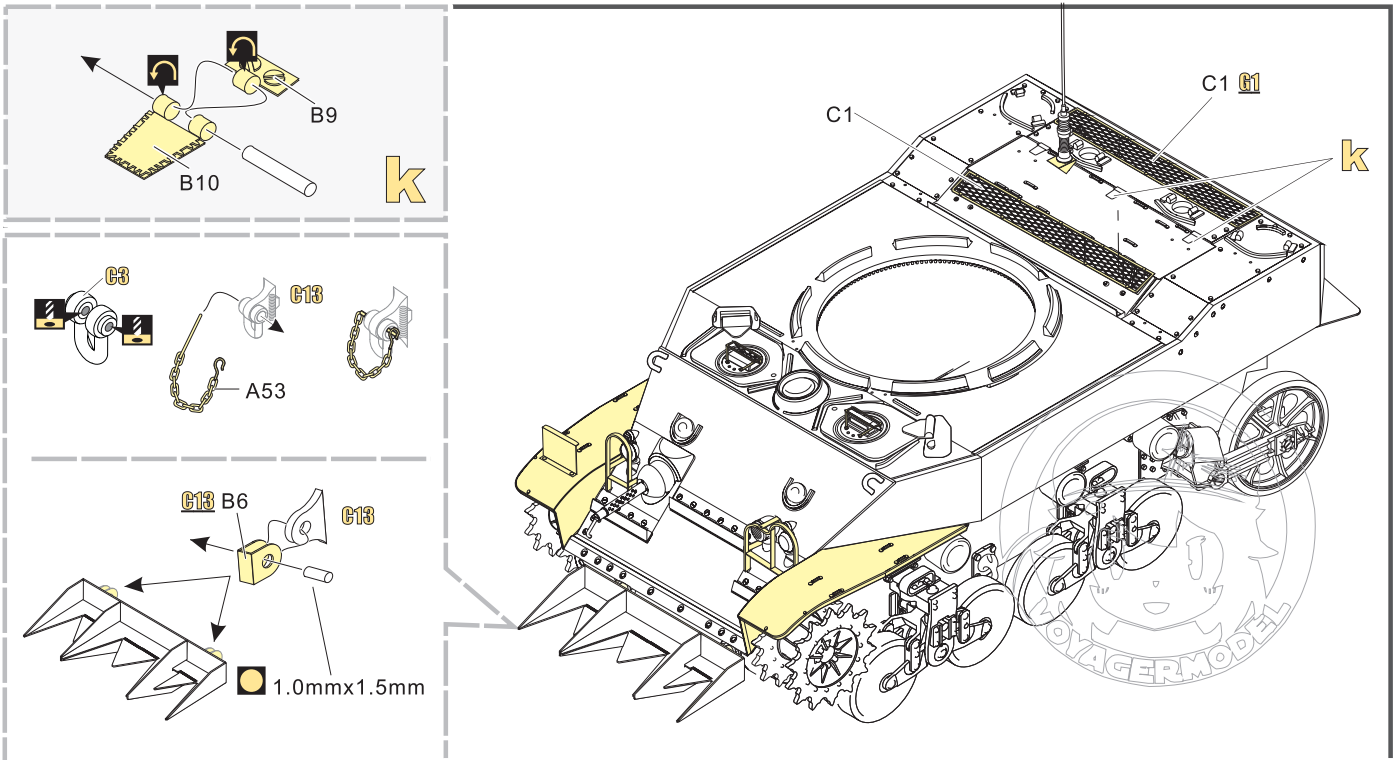
1/35 MILITARY MINIATURE VEHICLE UPGRADE SERIES PE35223

⚠ 灰色阴影部分全部切除
Remove shaded area

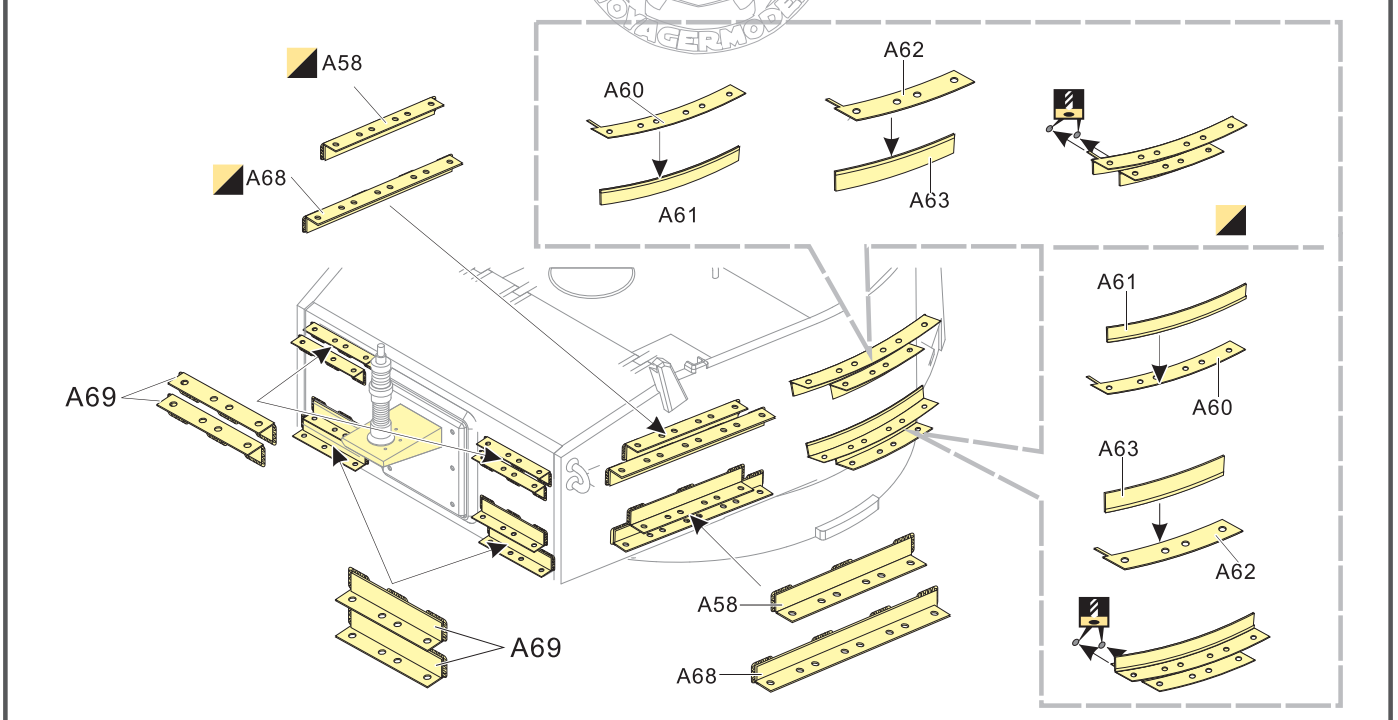
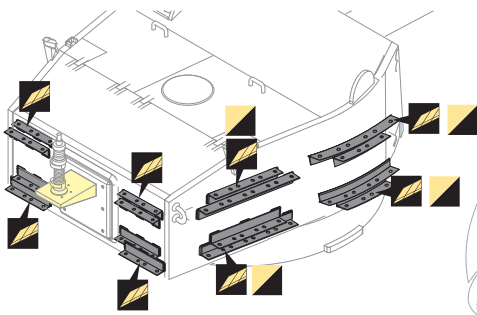
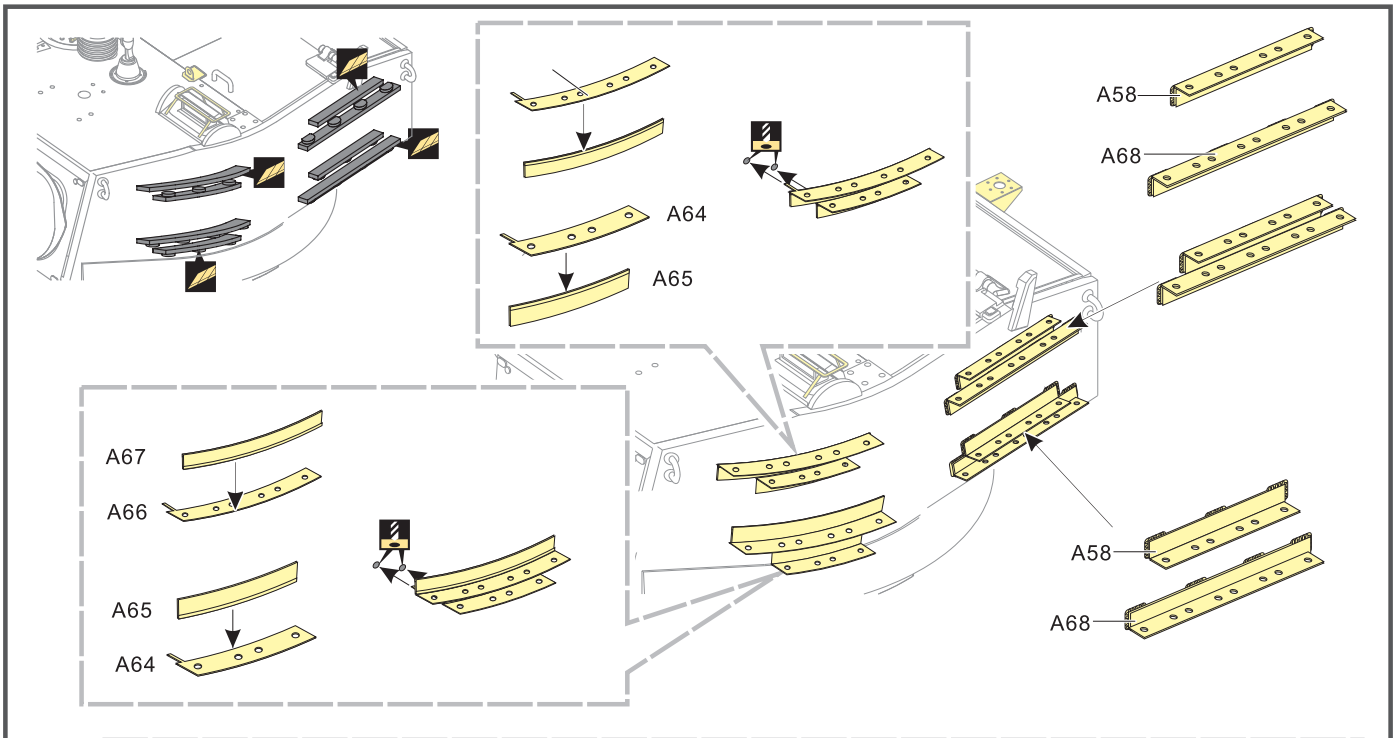


0.5mmx1.0mm

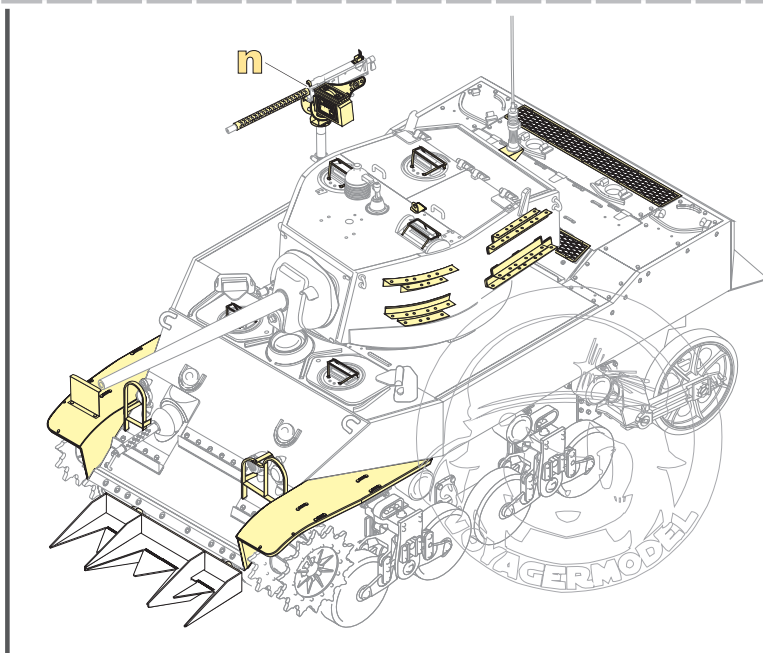
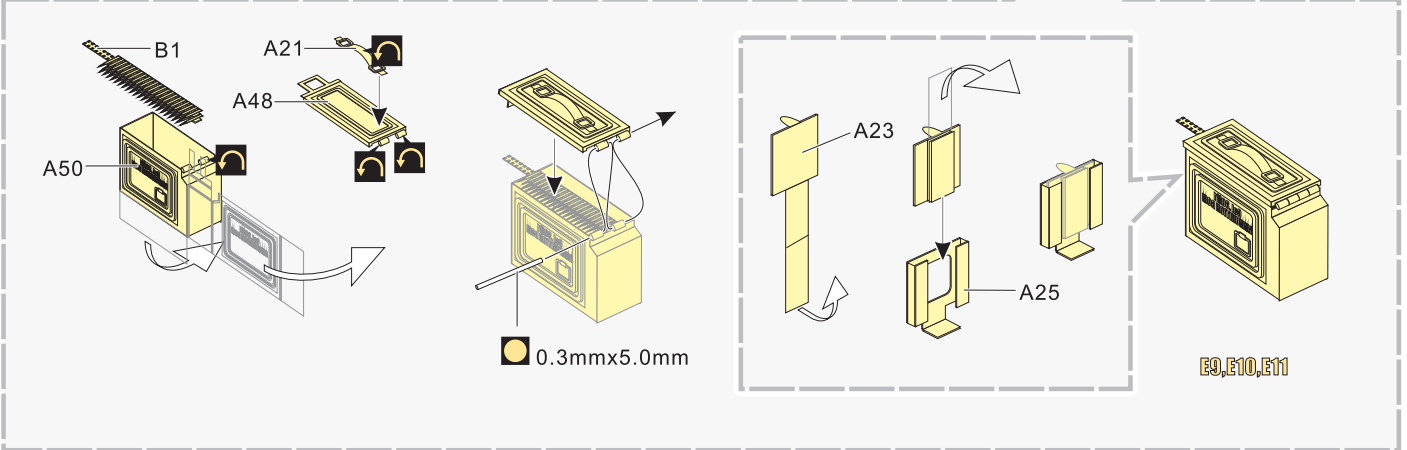
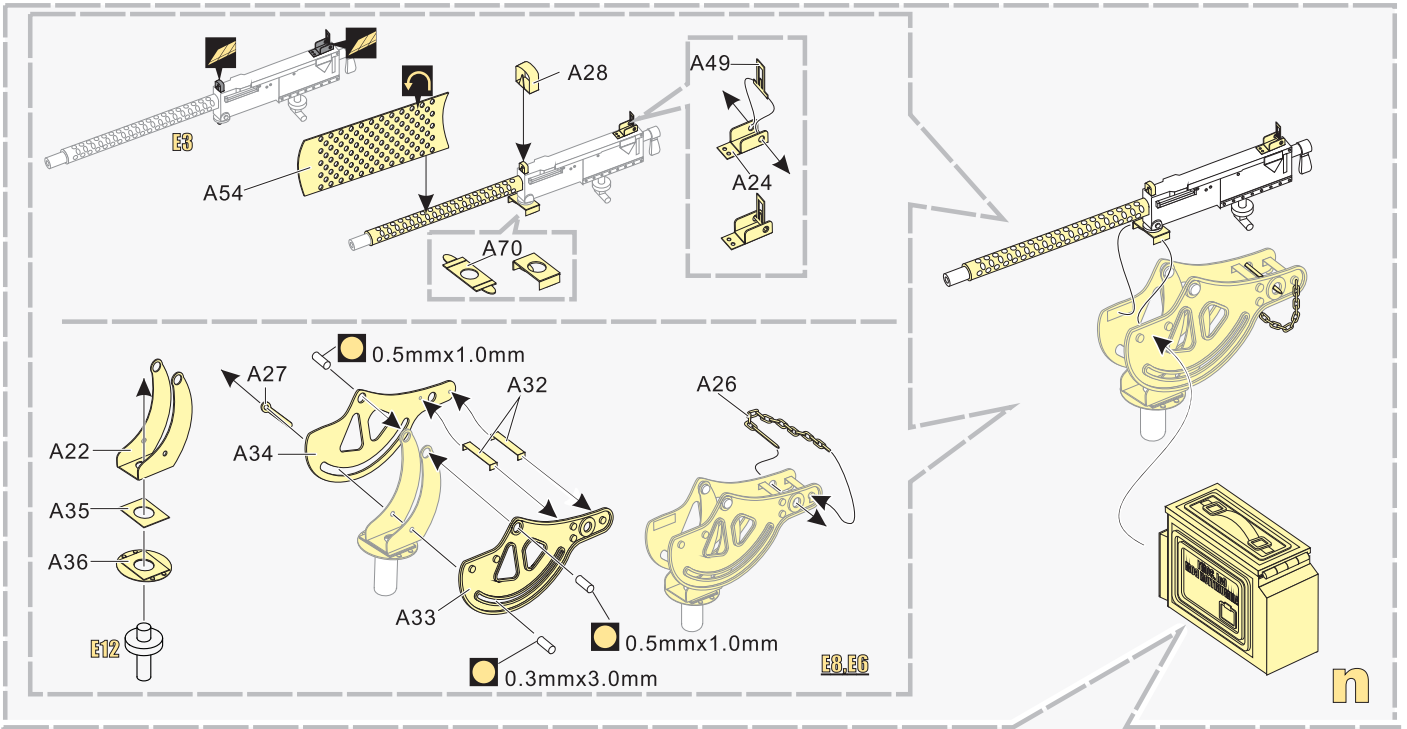
1/35 MILITARY MINIATURE VEHICLE UPGRADE SERIES PE35223



1/35 MILITARY MINIATURE VEHICLE UPGRADE SERIES PE35223



1/35 MILITARY MINIATURE VEHICLE UPGRADE SERIES PE35223



[Http://www.voyagermodel.com/productdetails.asp?itemid=PE35223](http://www.voyagermodel.com/productdetails.asp?itemid=PE35223)



**VOYAGER
MODEL**



更多PE35223样品照片参考请扫一扫
MORE PICTUER OF PE 35223
REFERENCE SCAN HERE