

F-84F AIRBRAKES AND EXTERIOR DETAILS

CAUTION!

THE AIRBRAKES DETAILS ARE VERY DELICATE AND NEED VERY CAREFUL WORK. IF YOU ARE NOT SURE TO ASSEMBLE THEM PROPERLY, JUST REMOVE BENDING TABS AND USE KIT PARTS AS A BASE.

AIRBRAKES ASSEMBLY

CAREFULLY FORM DETAILS 1R AND 1L USING KIT PARTS AS REFERENCE

2R(2L)

2R(2L)

11(10 FOR LEFT SIDE)

3

4

5

18

14

12

13

15

18

SIDE AIR SCOOPS ASSEMBLY

14 FOR RIGHT/ 15 FOR LEFT SIDE

SHELL EJECTION PORTS FENCES

RIGHT WING

LEFT WING

16

17

JATO HOOKS
(MAKE 3)

20x3

WING INTERCEPTORS ASSEMBLY

STARBOARD

7

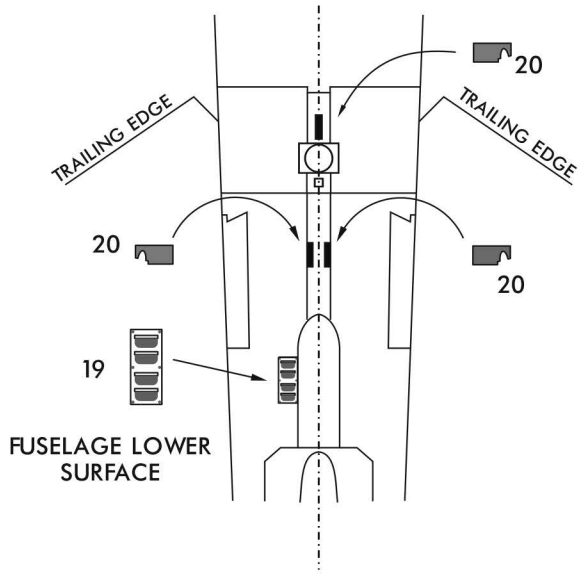
9

6

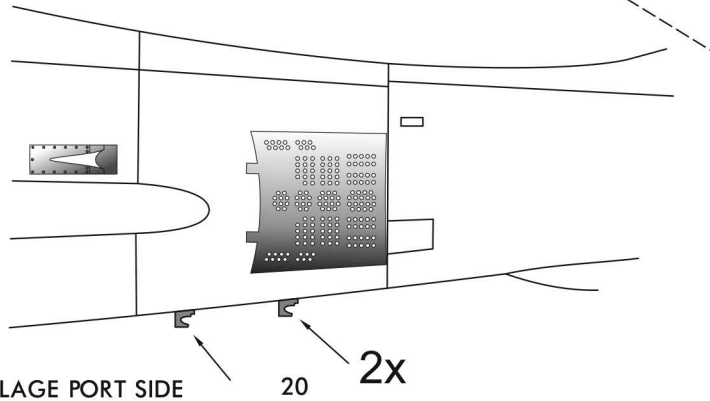
8

PORTSIDE

FUSELAGE DETAILS PLACEMENT



FUSELAGE LOWER SURFACE



WING DETAILS PLACEMENT (REPEAT THE SAME FOR PORTSIDE)

