

# M1126 Stryker ICV w/Slat armour

|  |                                    |  |                                      |  |                          |
|--|------------------------------------|--|--------------------------------------|--|--------------------------|
|  | 切除阴影部分<br>Remove                   |  | 安装箭头<br>Install arrow                |  | 根据喜好选择安装<br>Optional     |
|  | 锉平阴影部分<br>File                     |  | 弯折箭头<br>Fold arrow                   |  | 制作所示若干组<br>Make some pcs |
|  | 填补<br>Fill                         |  | 蚀刻片零件标号<br>PE part number            |  | 注解1<br>Note 1            |
|  | 弧度弯折<br>Roll                       |  | 原套件零件标号<br>Kit part number           |  | 注解2<br>Note 2            |
|  | 钻孔<br>Drill                        |  | 被替换的套件标号<br>Replaced kit part number |  | 注解3<br>Note 3            |
|  | 另一侧相同制作<br>Repeat on opposite side |  | 注意<br>Caution                        |  |                          |

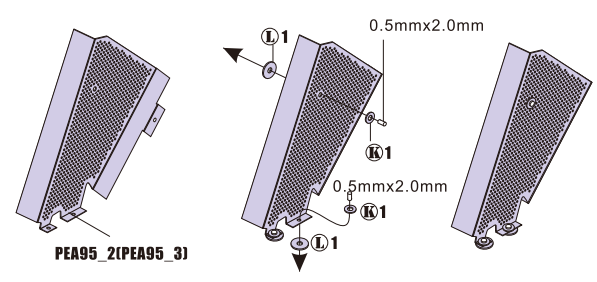
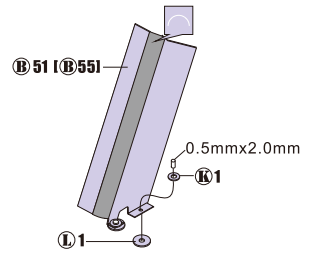
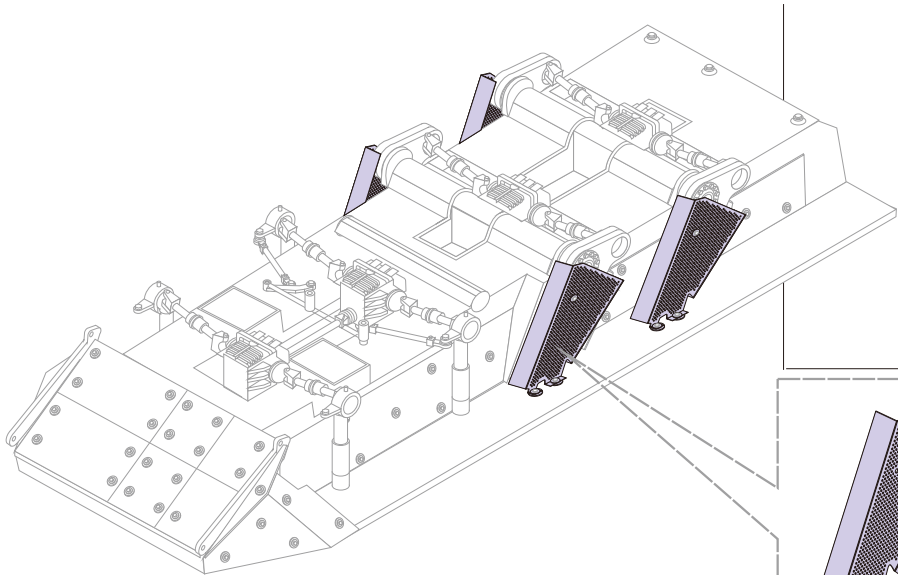
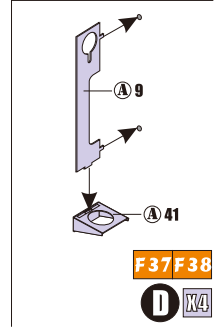
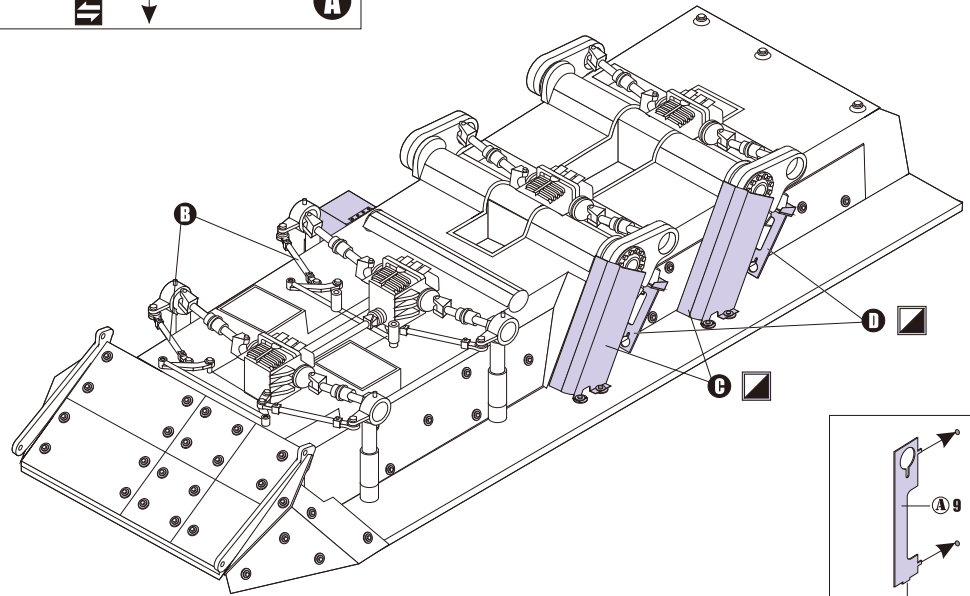
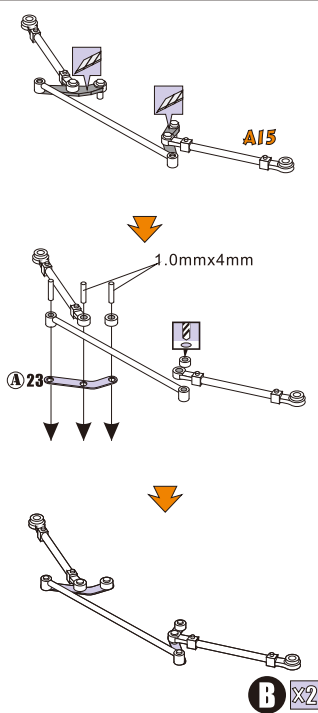
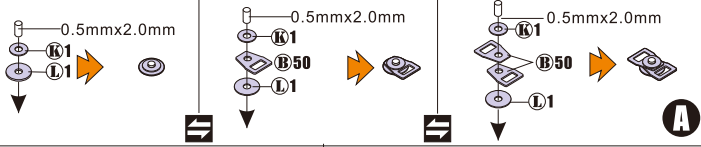
**RECOMMENDED TOOLS**

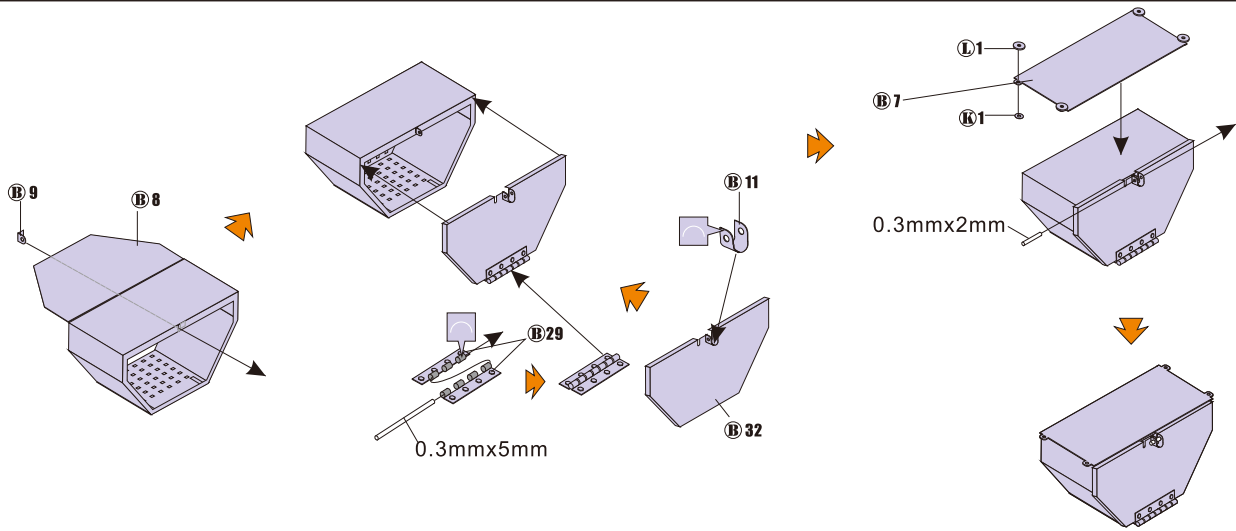
推荐使用工具



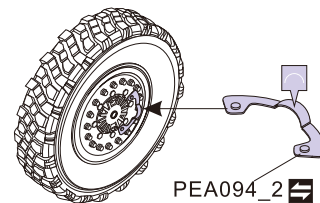
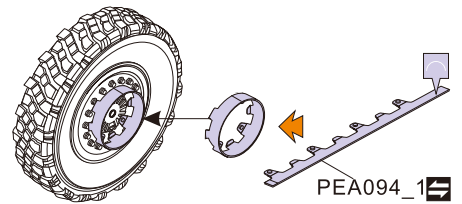
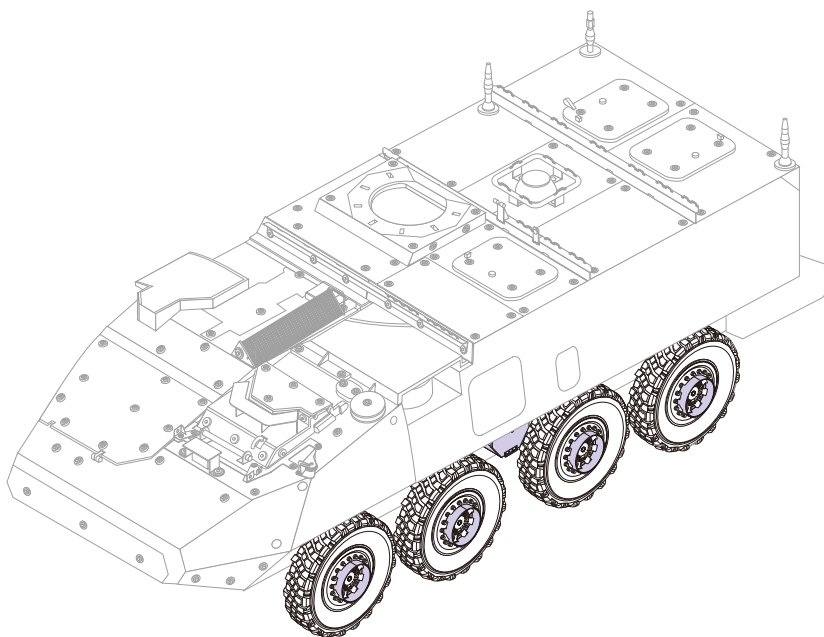
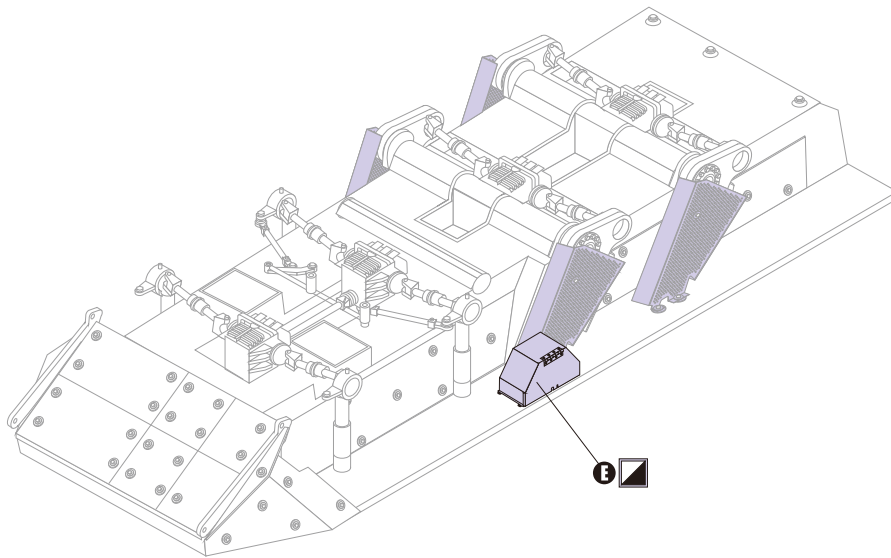
1/35 MILITARY MINIATURE VEHICLE PE UPDATE SERIES NO. 200

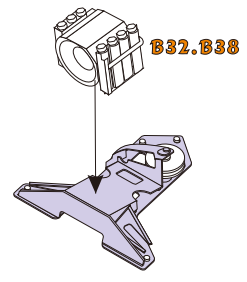
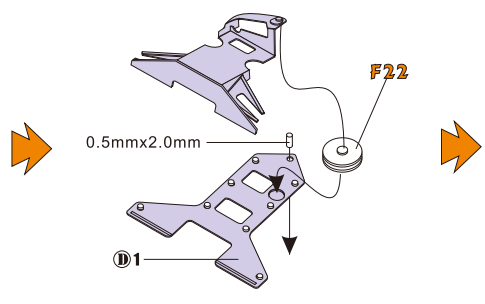
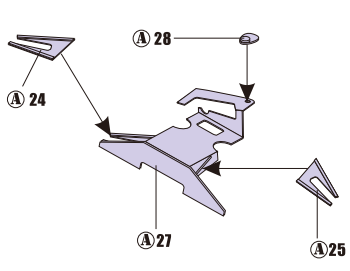
PE UPDATE  
For AFV Club 35126



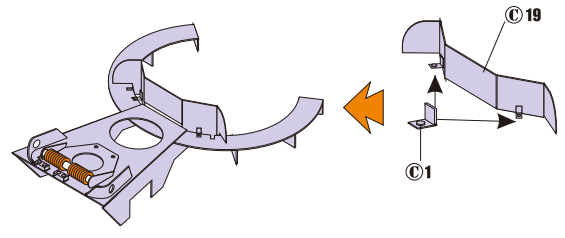
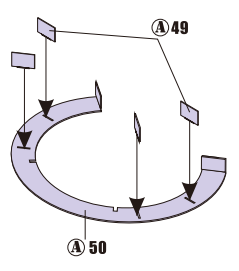
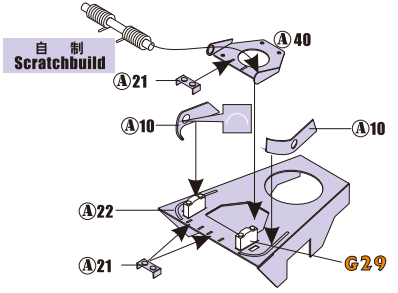


**E** **X2** **A9**

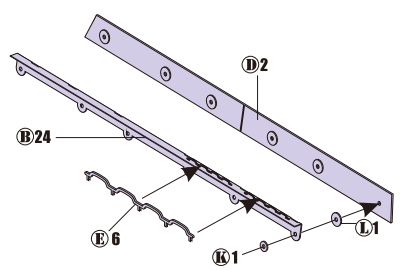
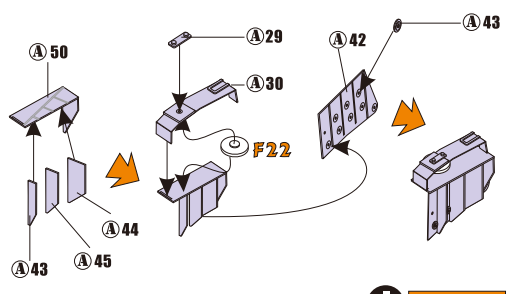
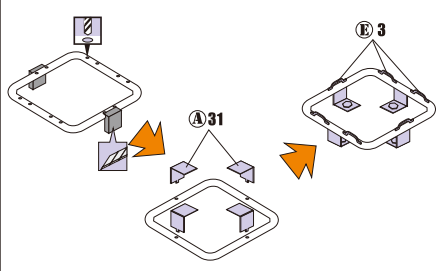




**F** B29.B30.B31



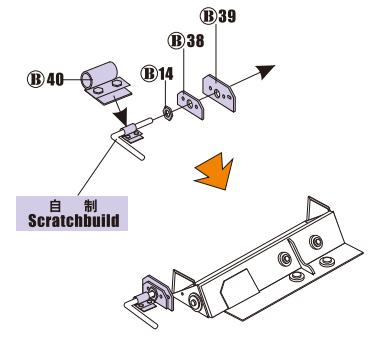
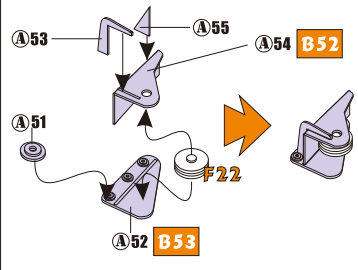
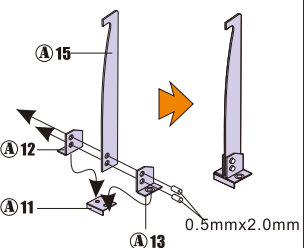
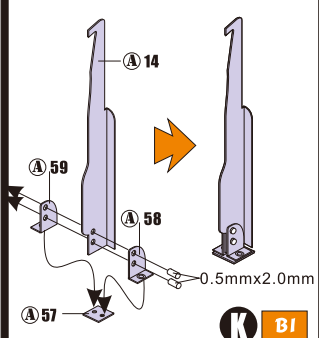
**G** G14.G15.G28



**H** D33

**I** B54.B55

**J** D8

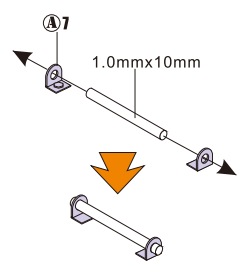
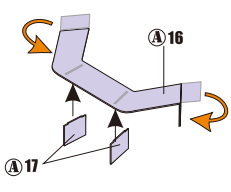
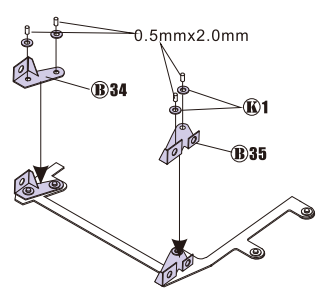


**K** B1

**L** B37

**M**

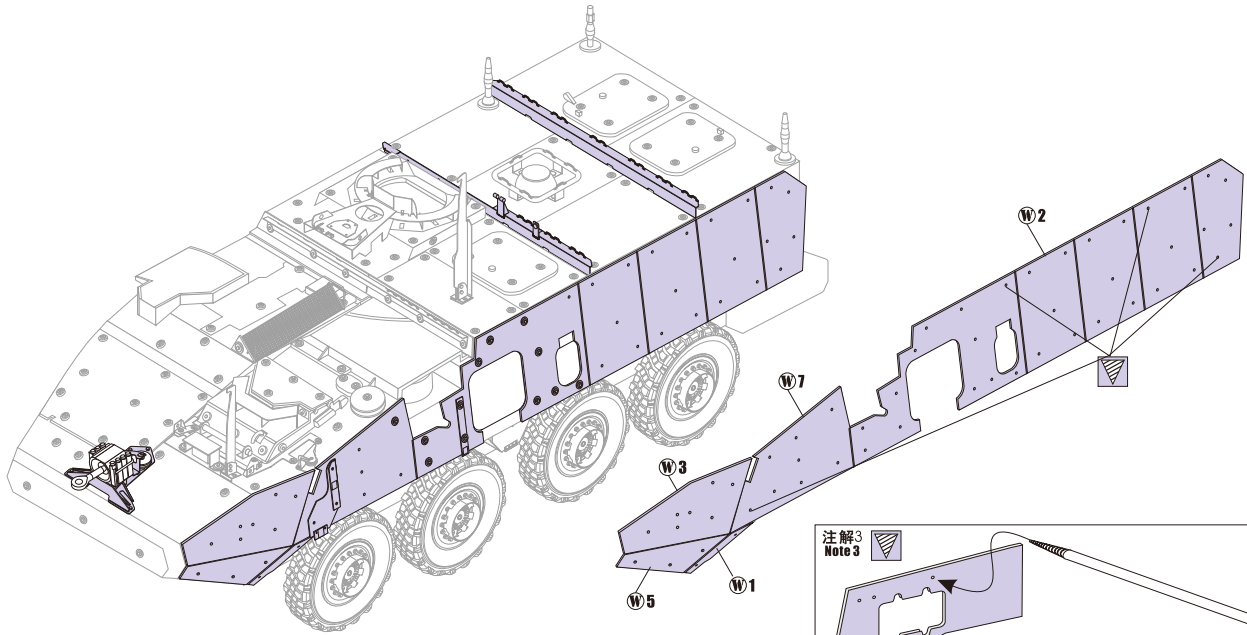
**N**



**O**

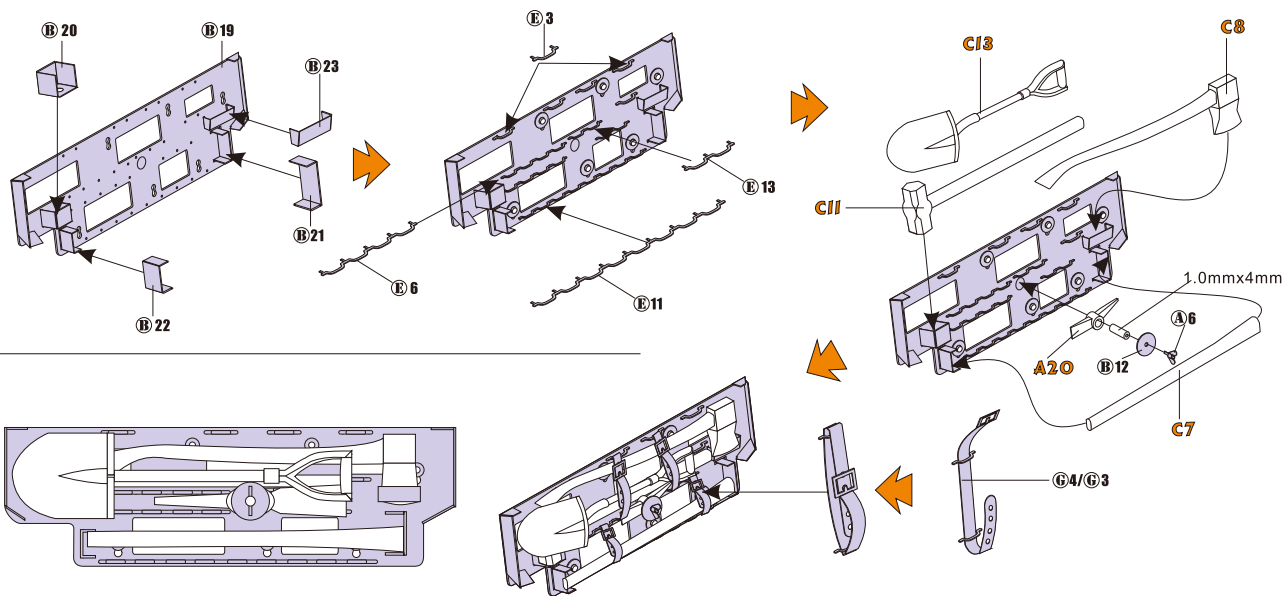
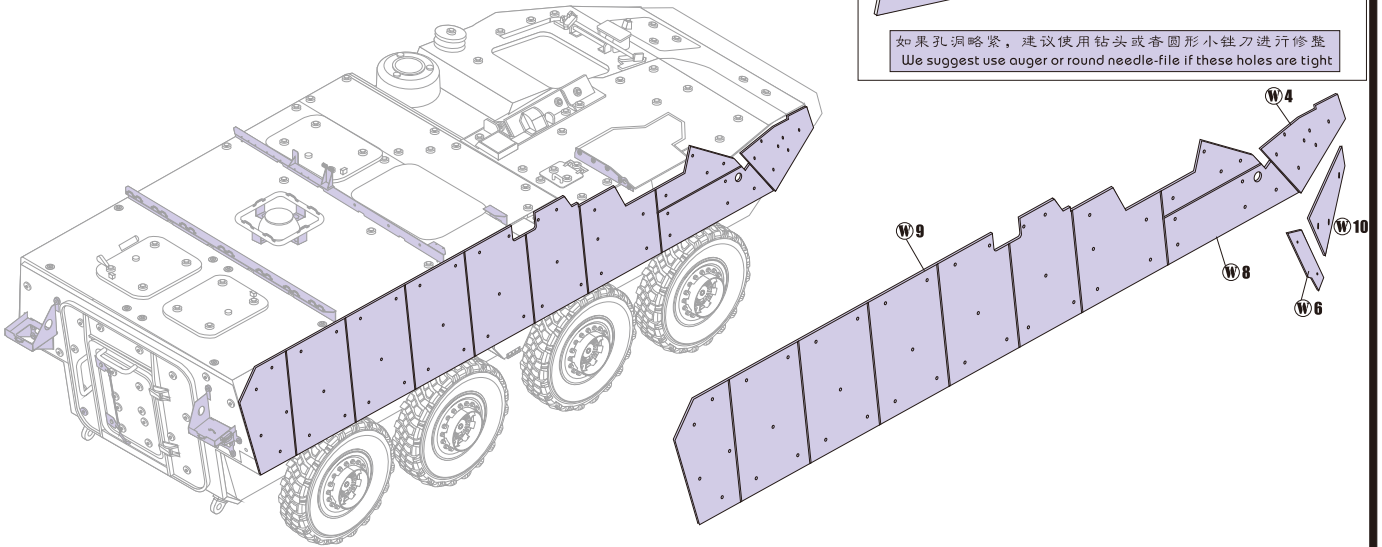
**P** B3

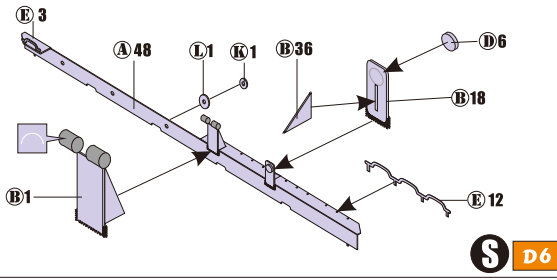
**Q**



注解3  
Note 3

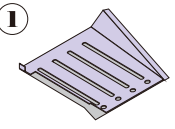
如果孔洞略紧，建议使用钻头或者圆形小锉刀进行修整  
We suggest use auger or round needle-file if these holes are tight





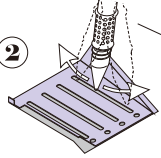
注解1  
Note 1

①



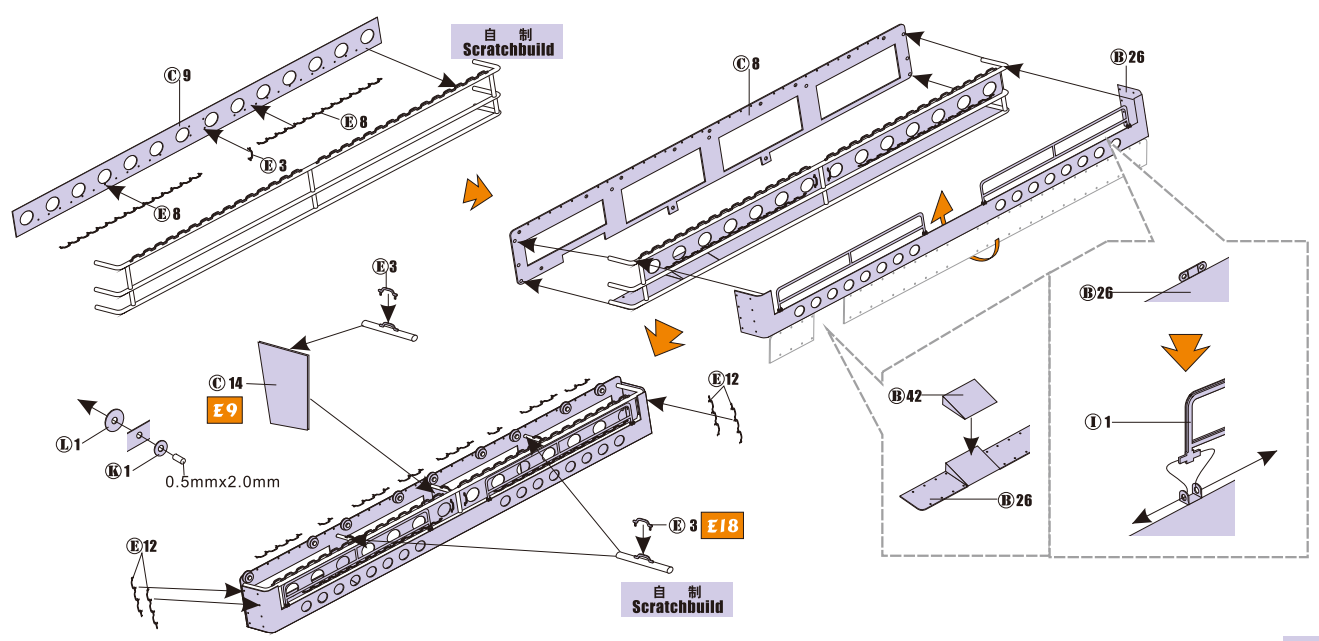
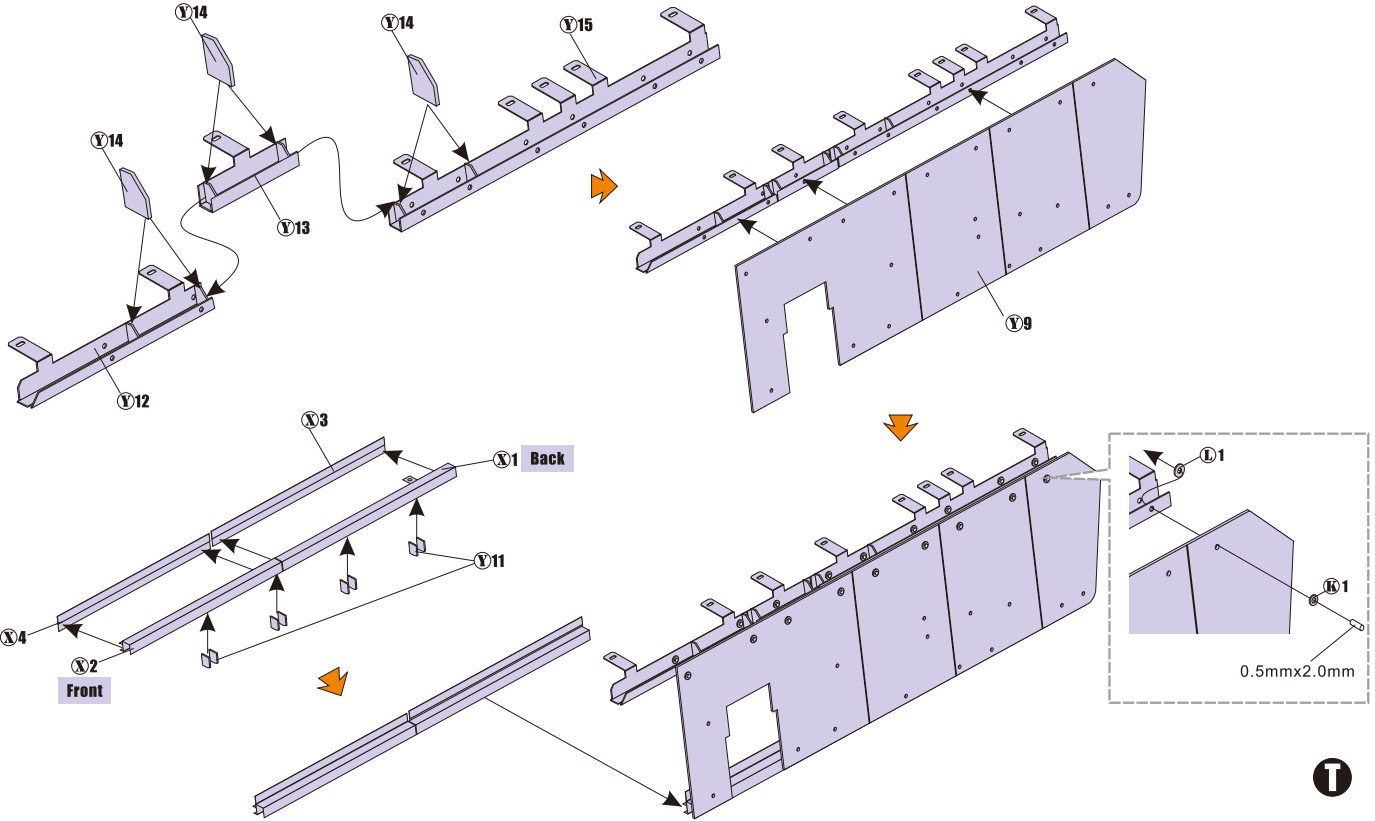
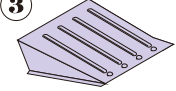
蚀刻片零件内侧面向上  
PE part Inboard side turn up

②

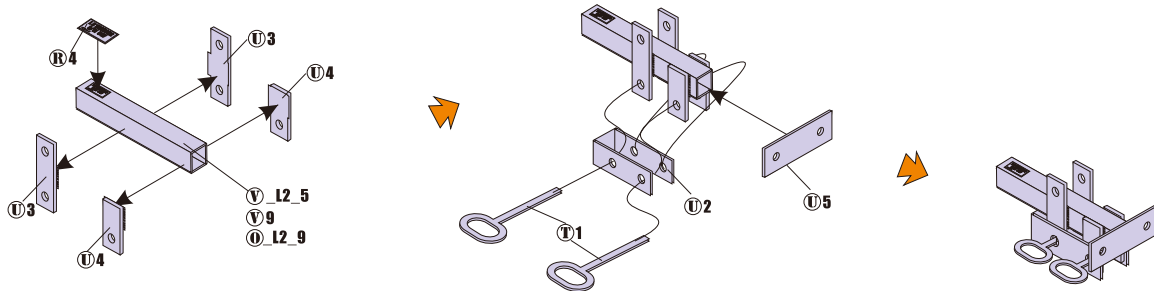


用笔尖在凹槽处挂  
Use penpoint scratch on the flute

③



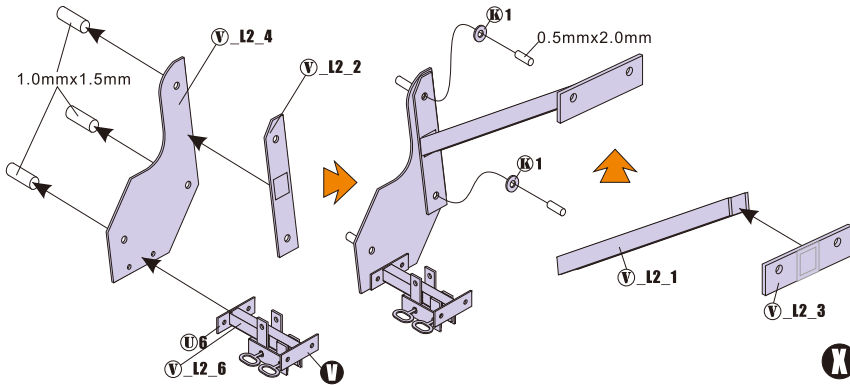
**U** E11.E12.E20.E22



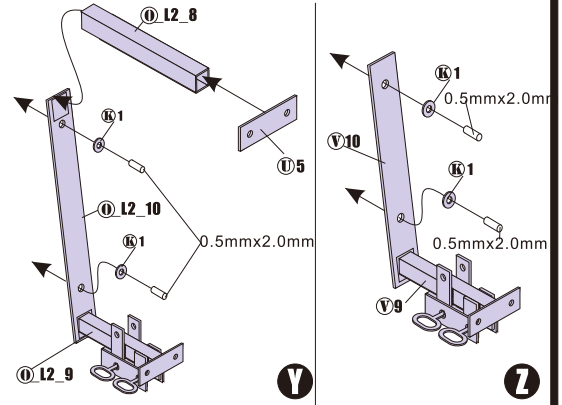
Length of part **V\_12\_5**, **V\_9**, **U\_12\_9** varies, carefully identify required length as specified in each sub-assembly  
零件 **V\_12\_5**, **V\_9**, **U\_12\_9** 长度有所不同, 请注意下列步骤中的具体指示



**V**

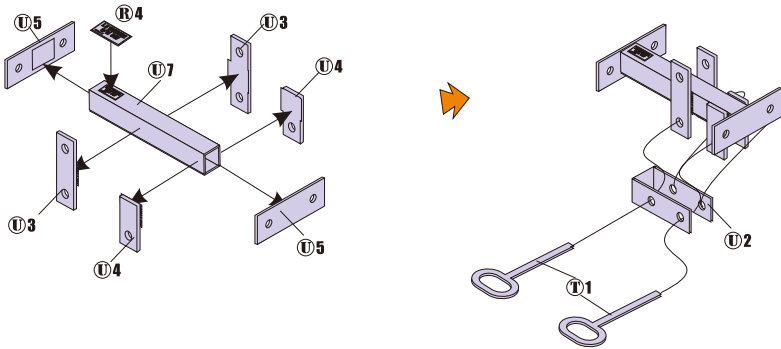


**X**

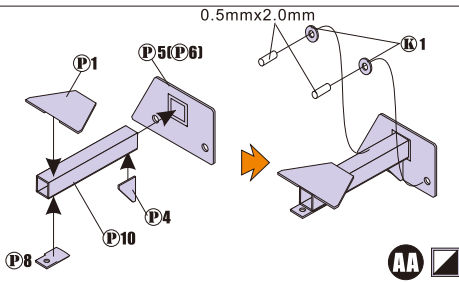


**Y**

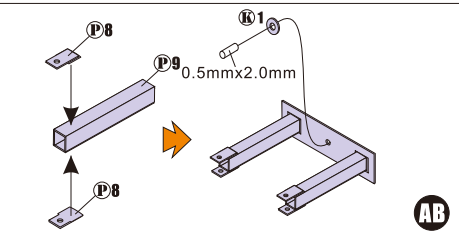
**Z**



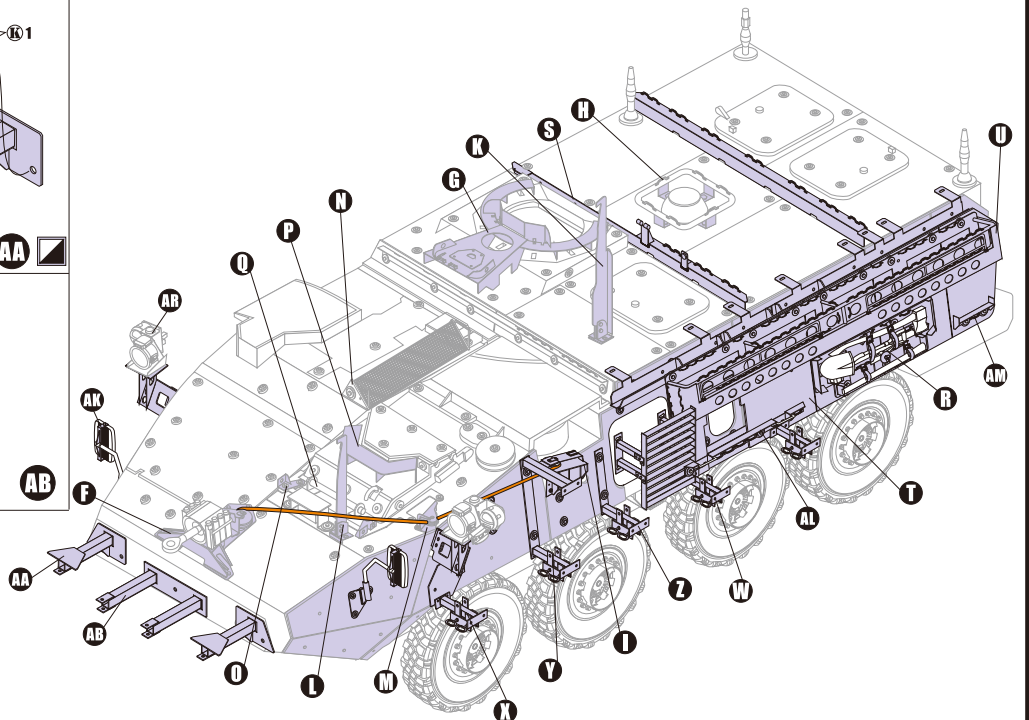
**W** **W7**

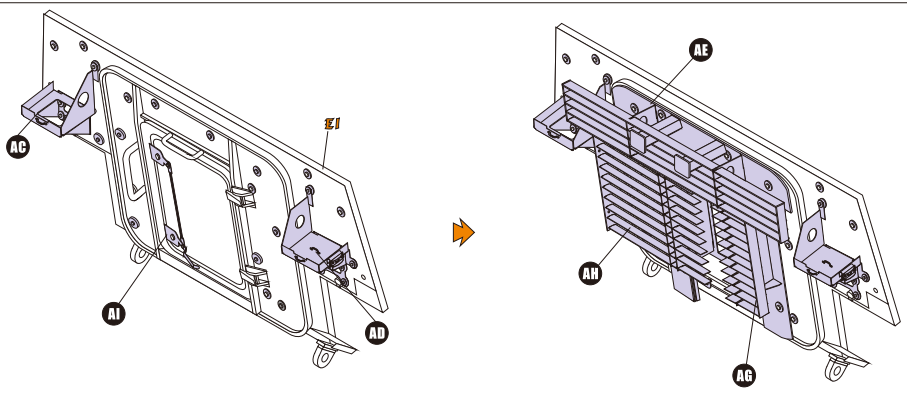
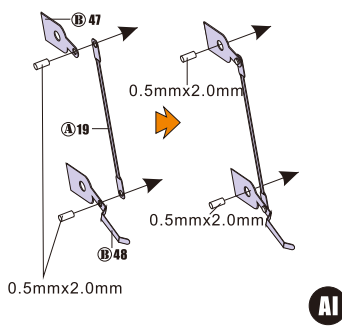
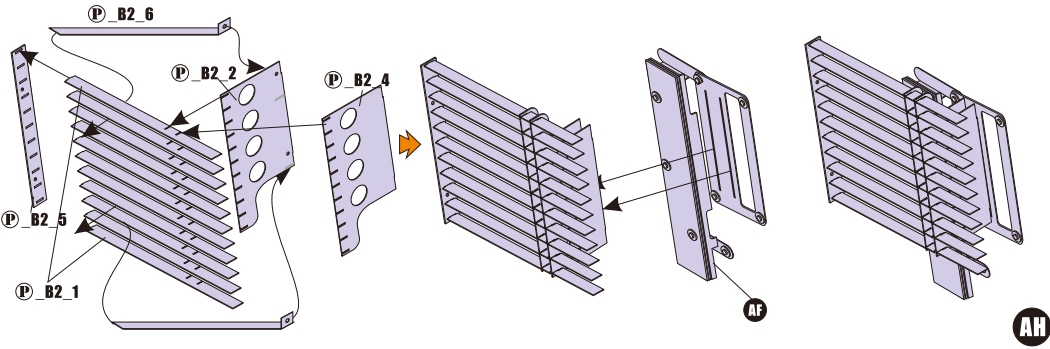
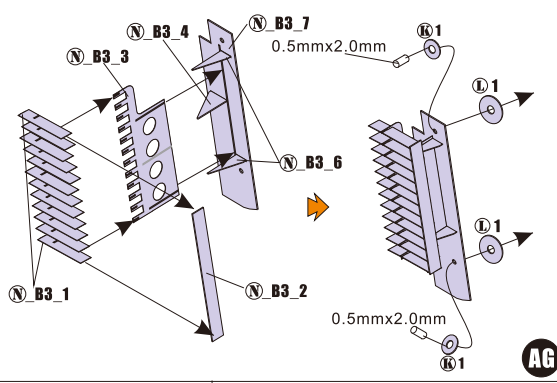
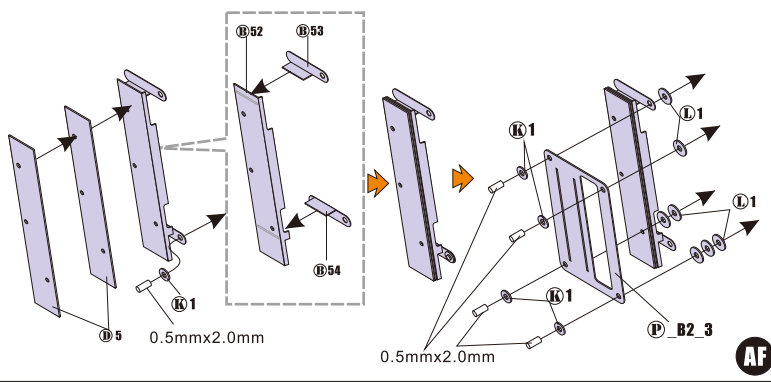
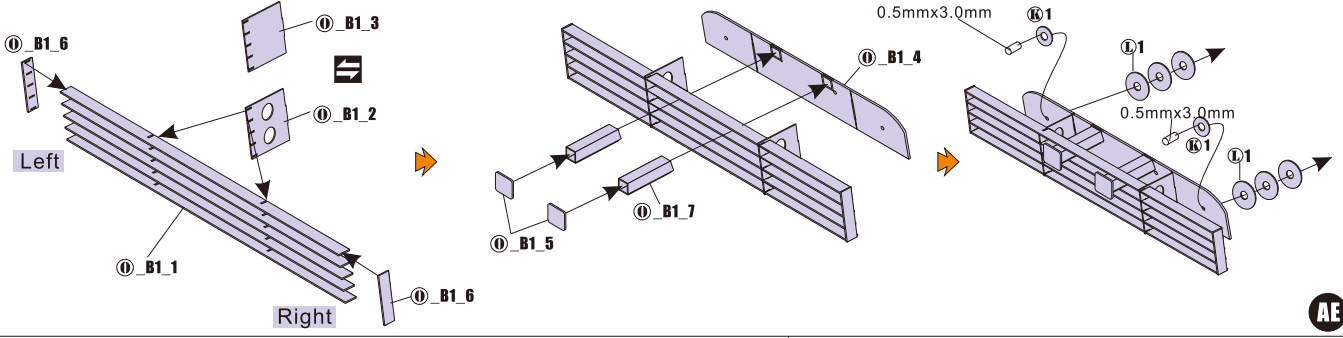
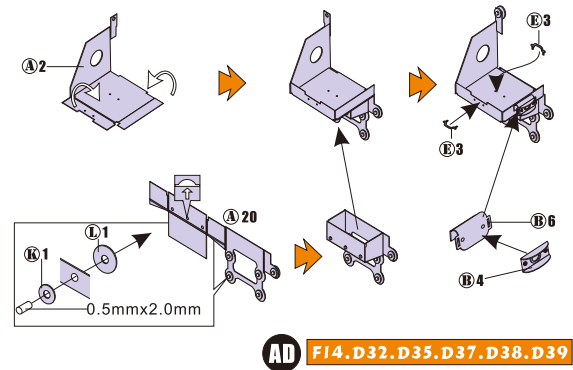
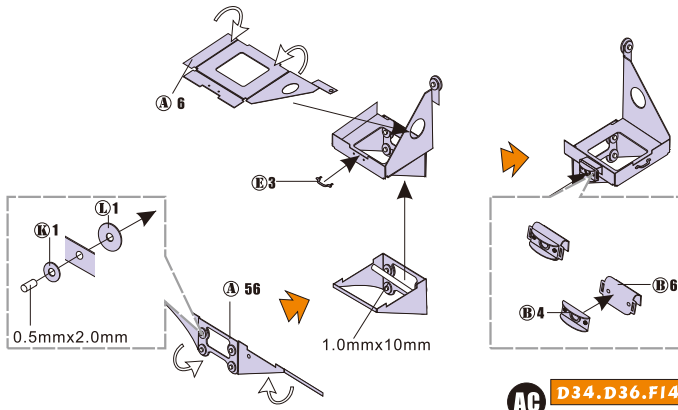


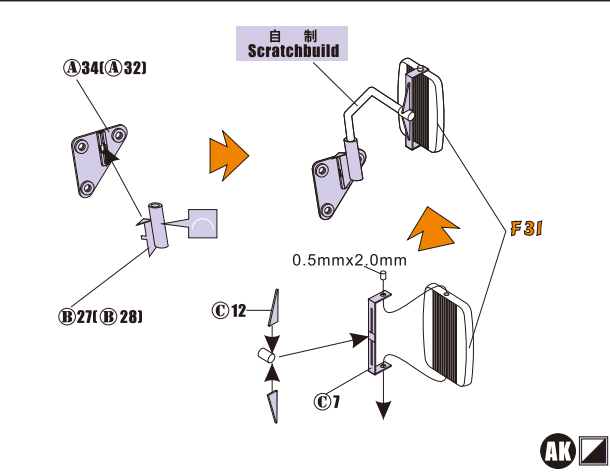
**AA**



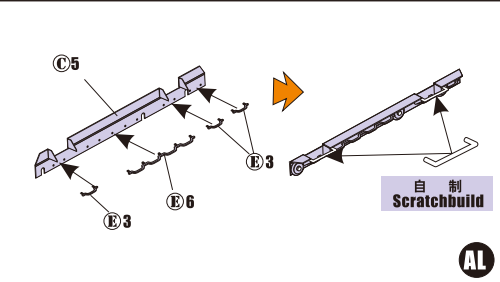
**AB**



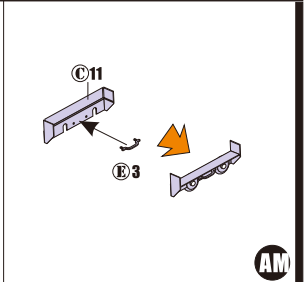




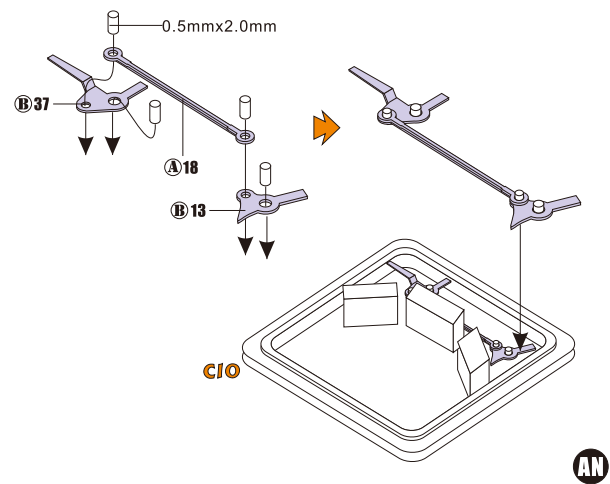
AK



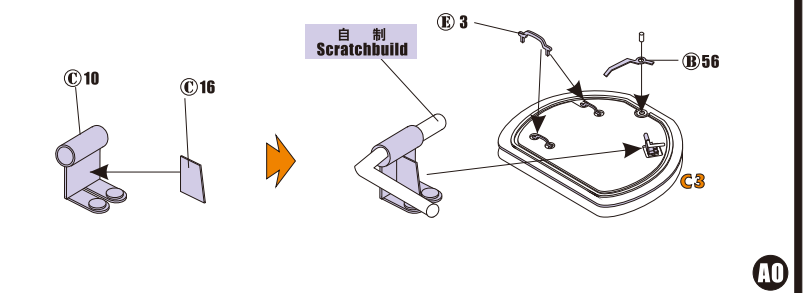
AL



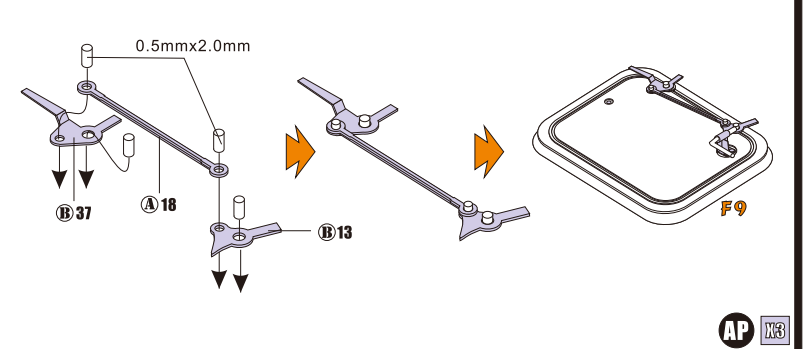
AM



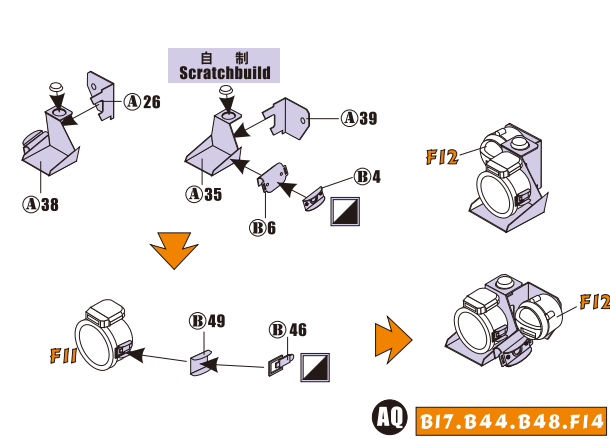
AN



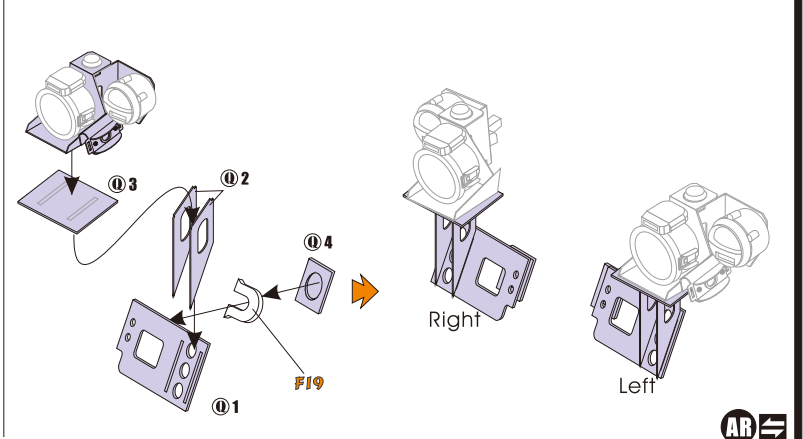
AO



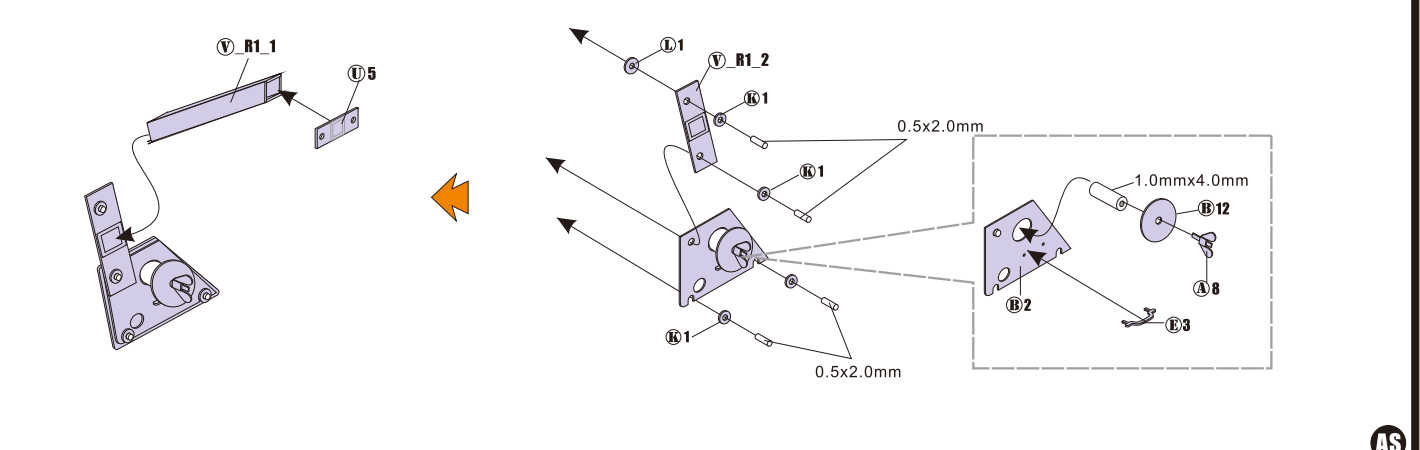
AP



AQ B17.B44.B48.F14

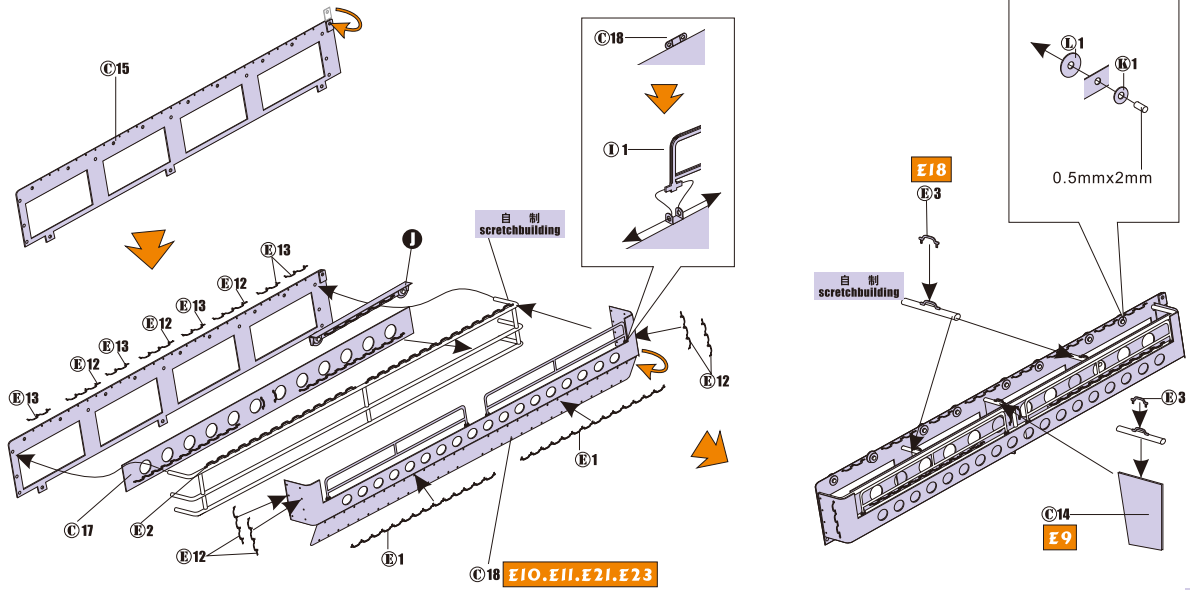


AR

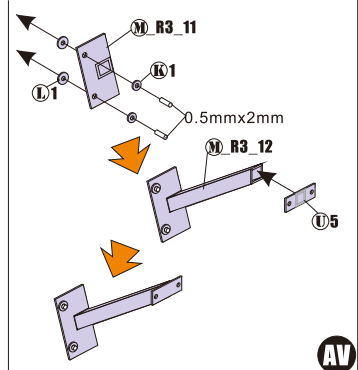
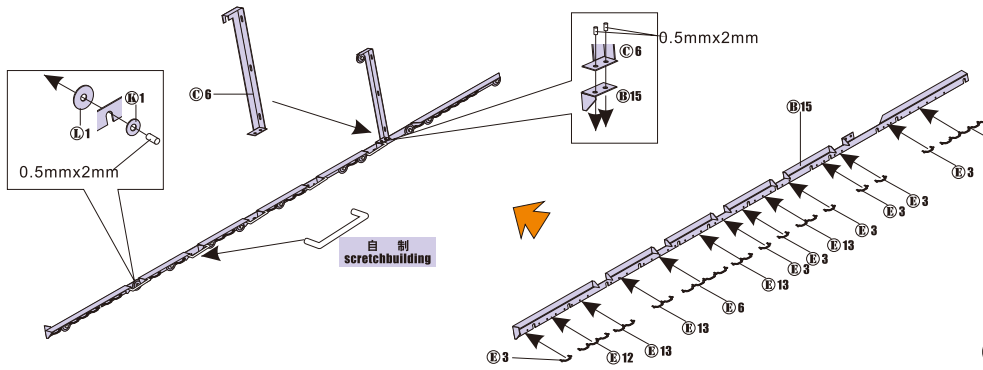


AS



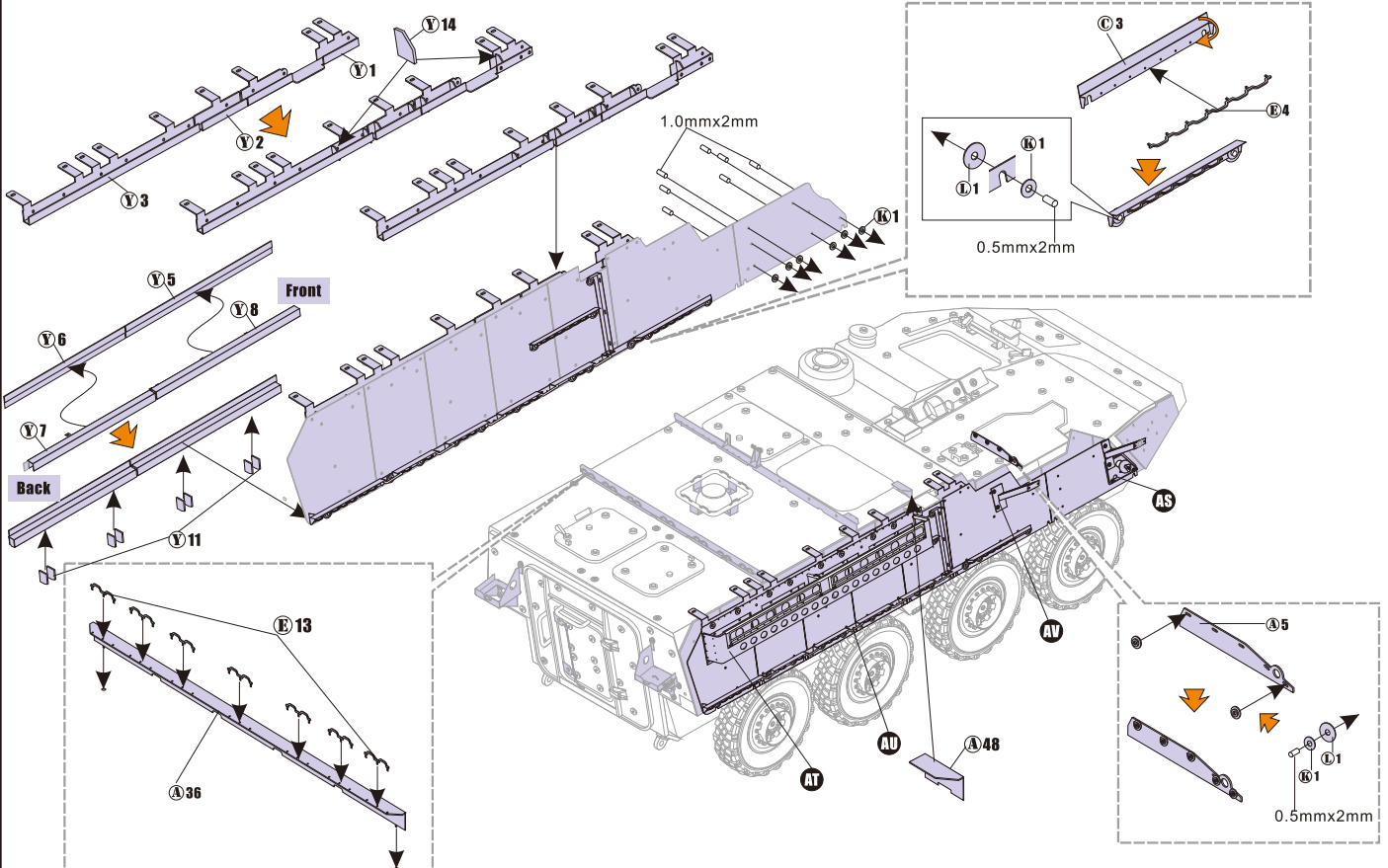


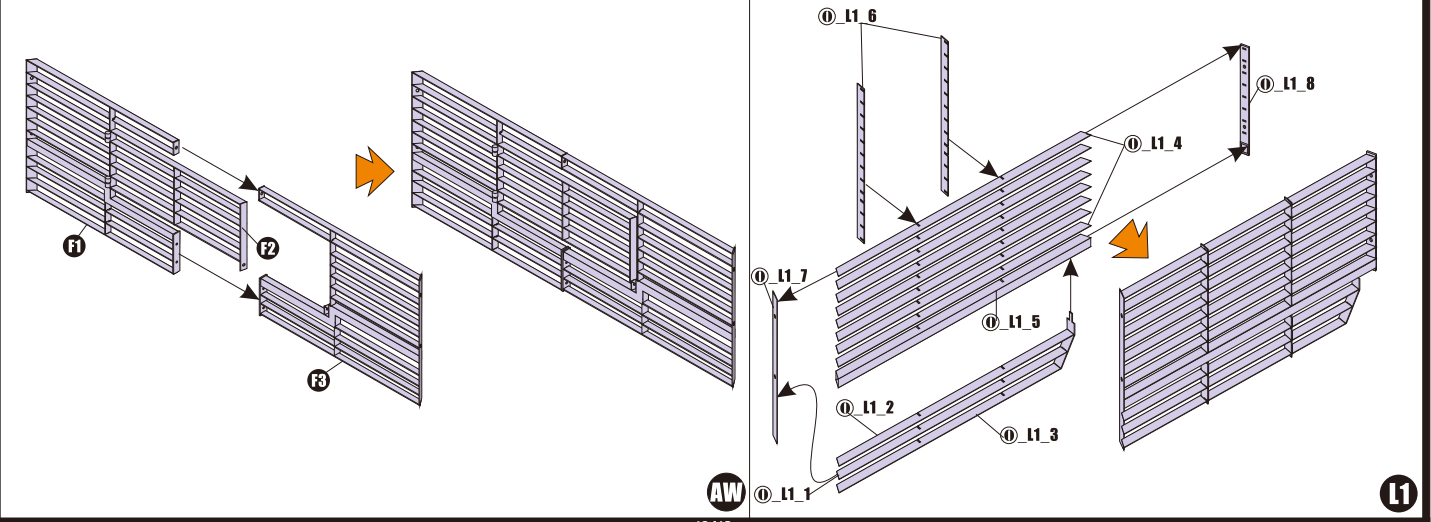
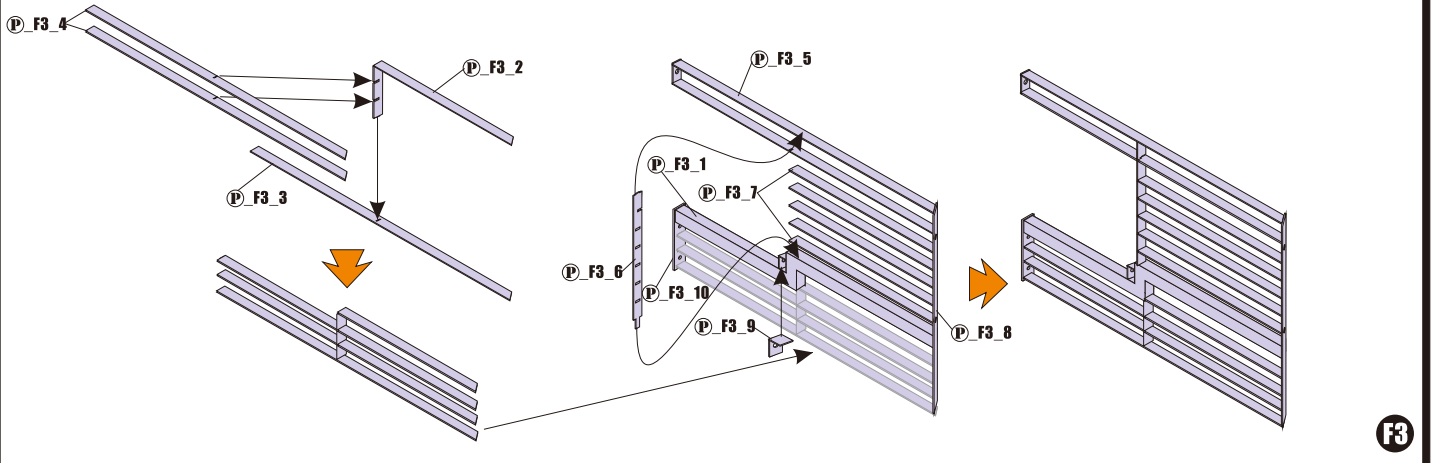
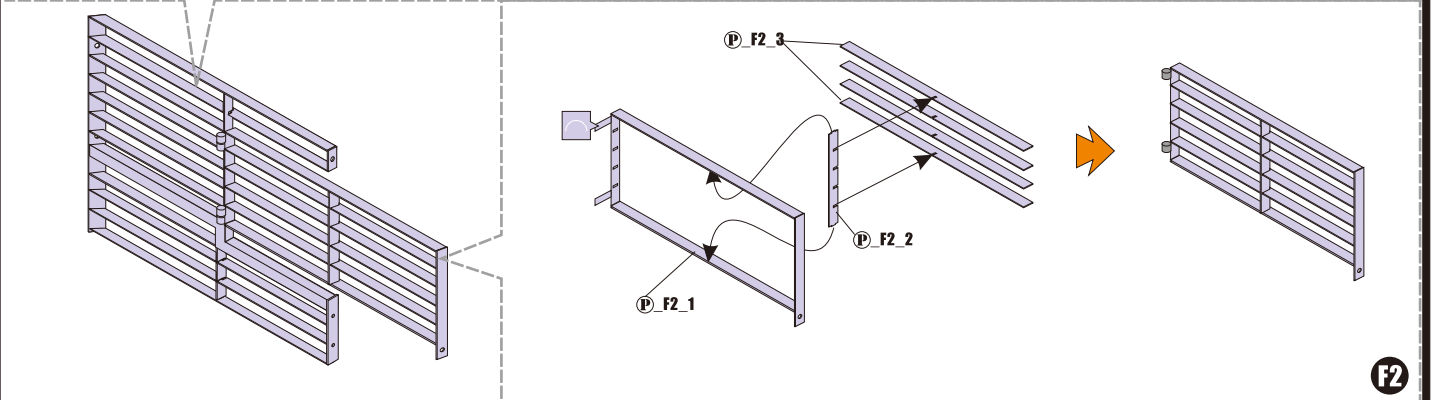
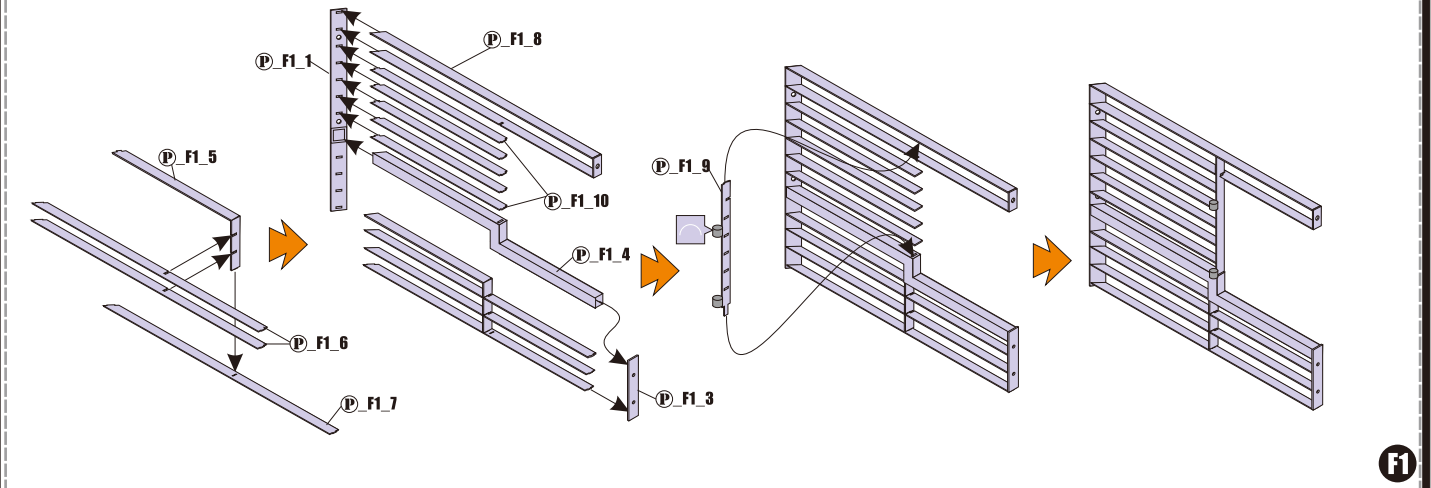
Back **AT**

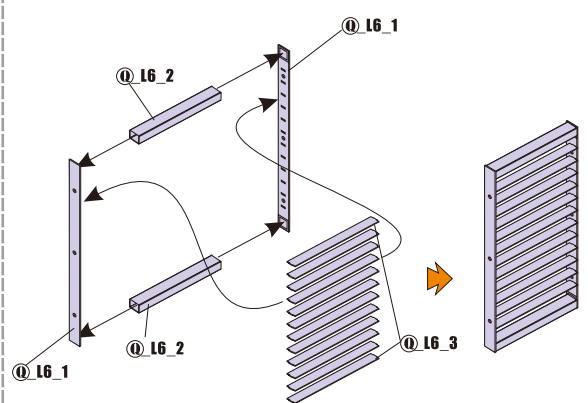
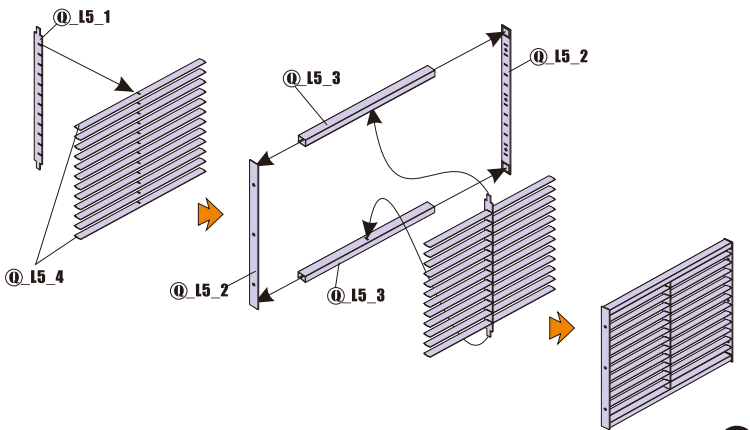
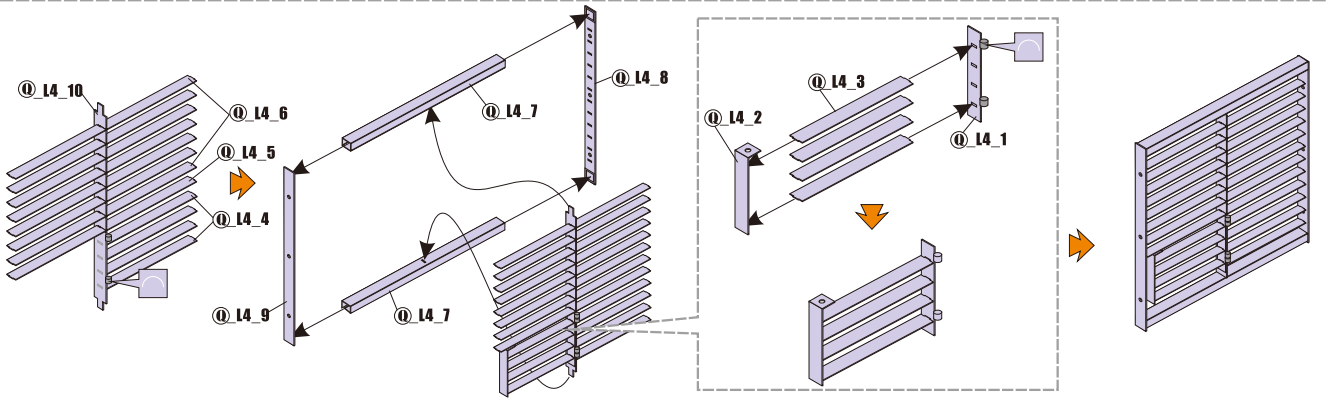
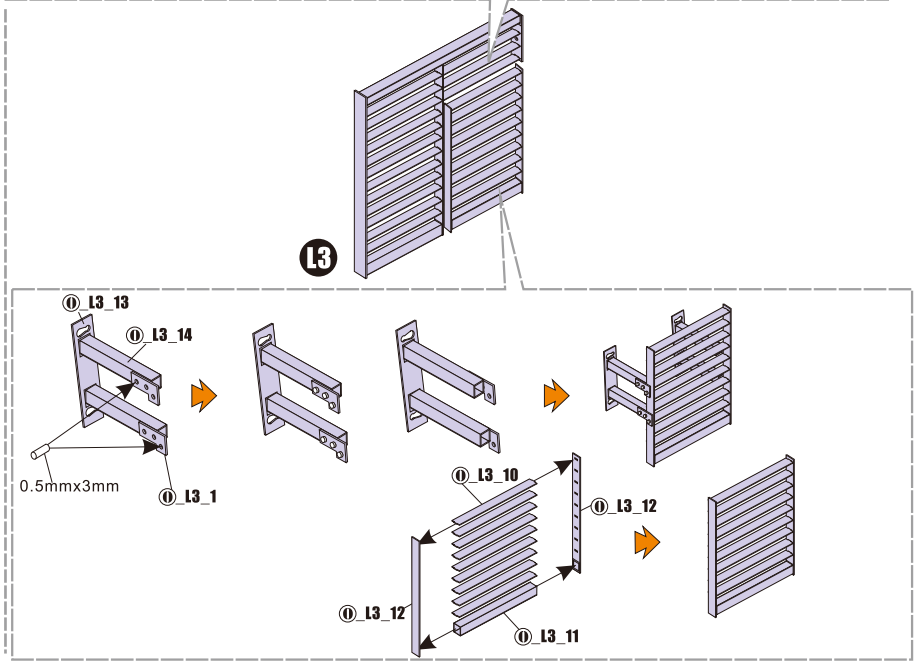
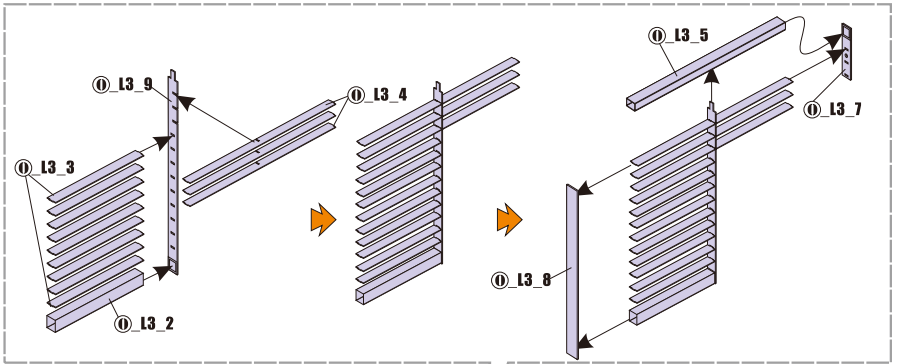
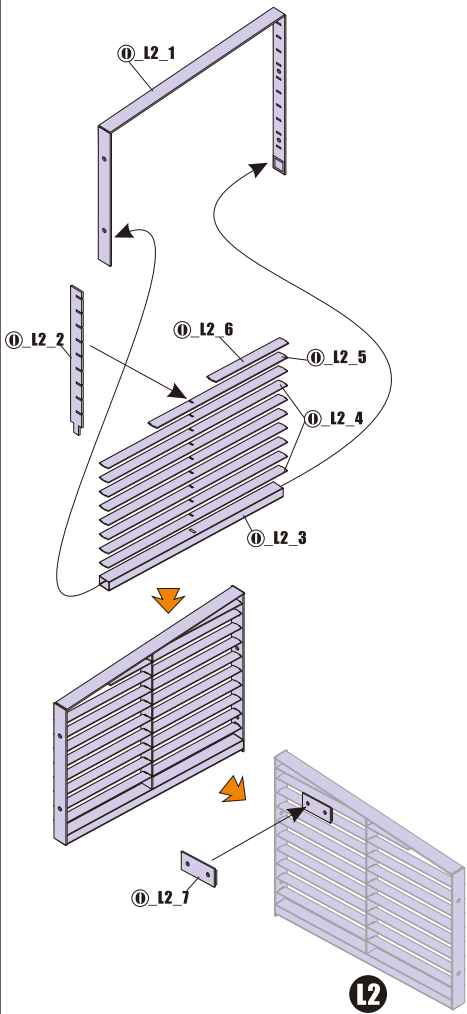


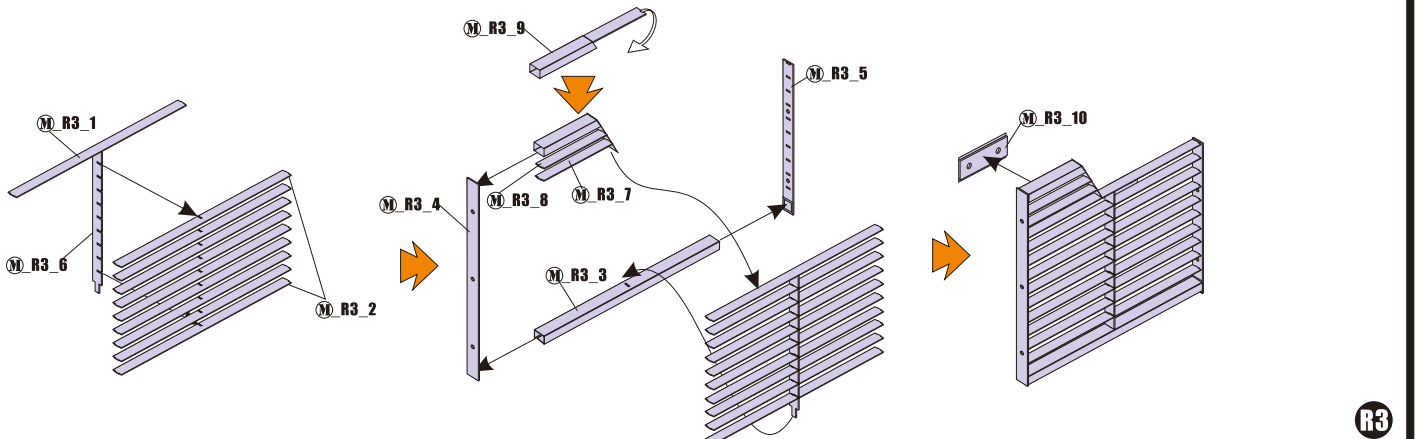
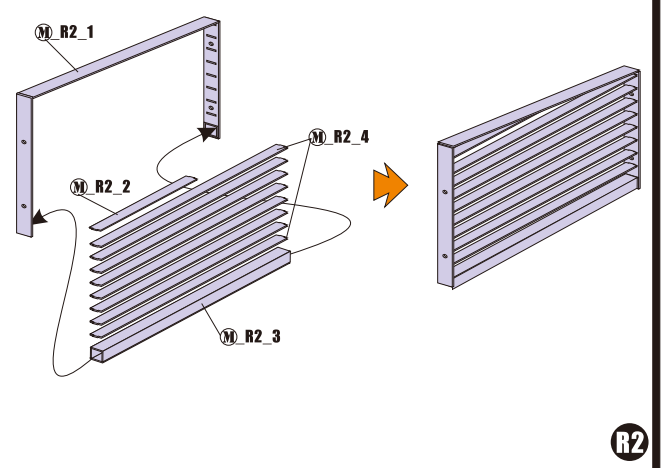
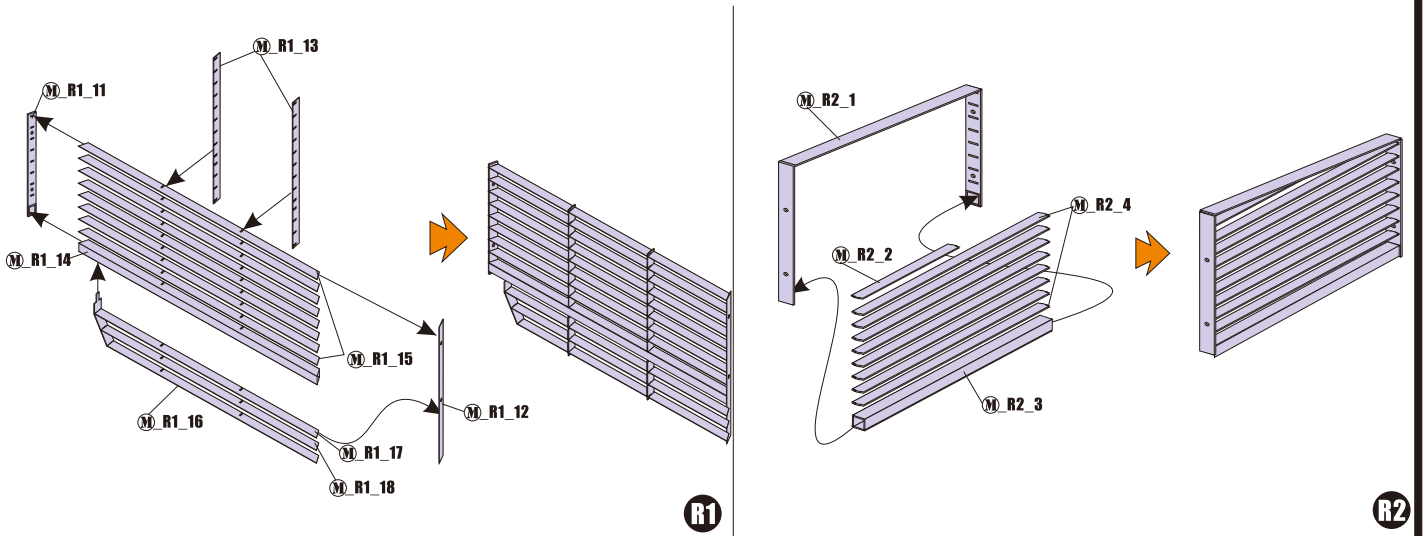
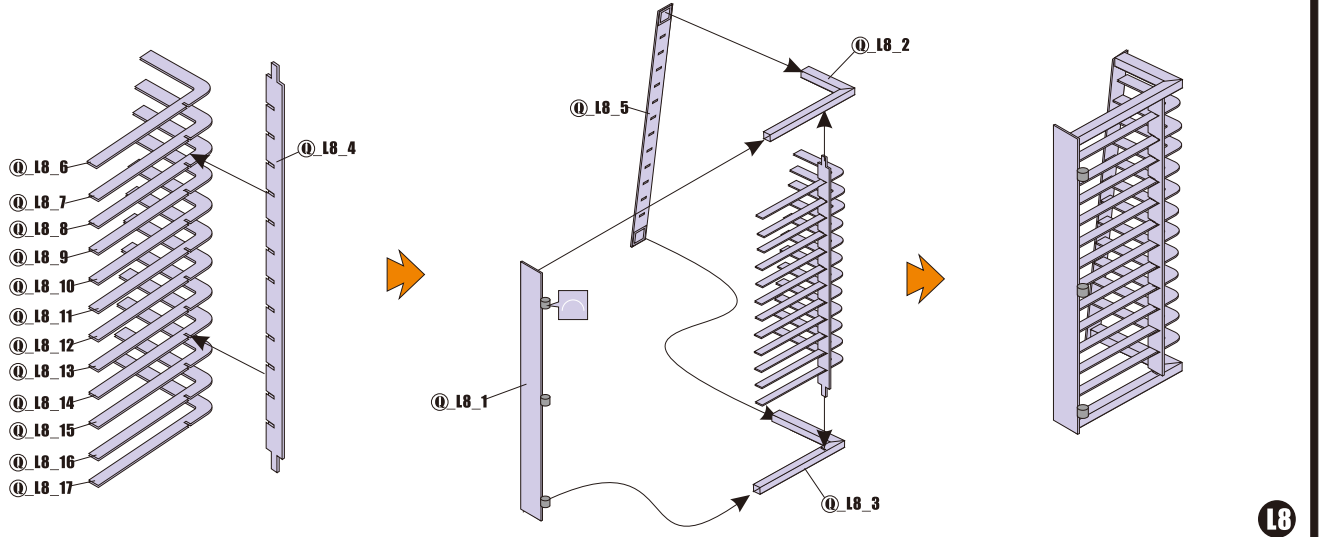
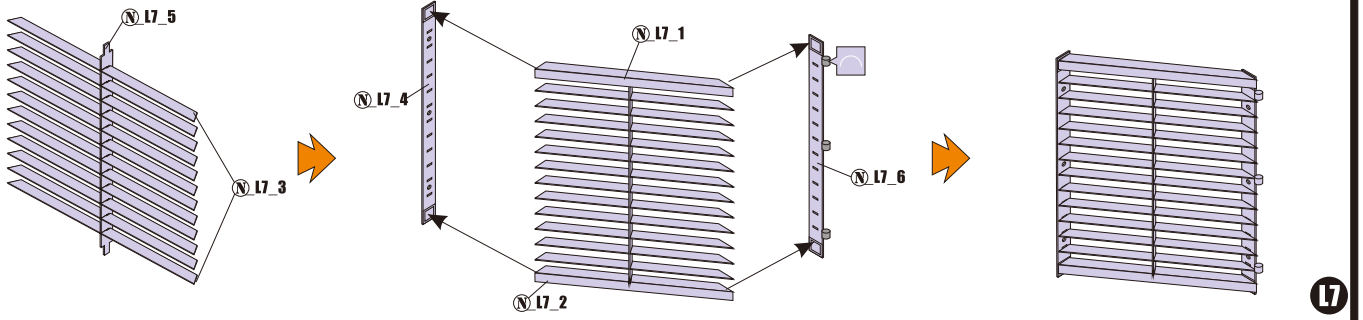
**AU**

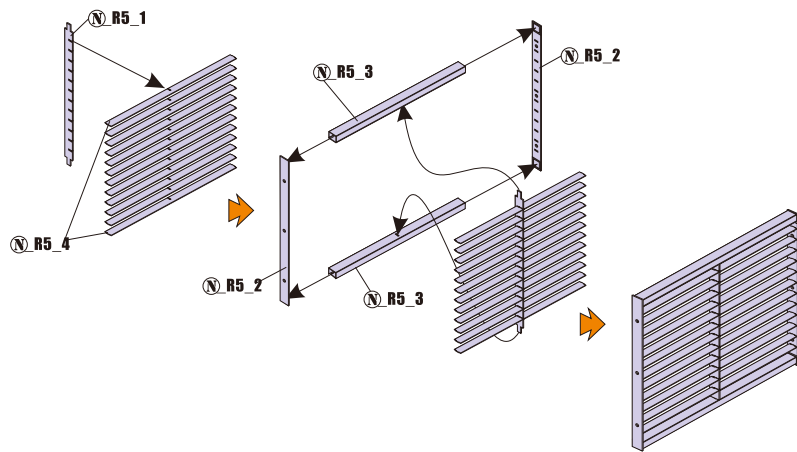
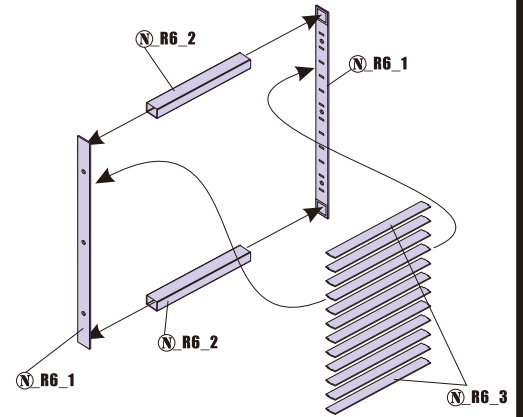
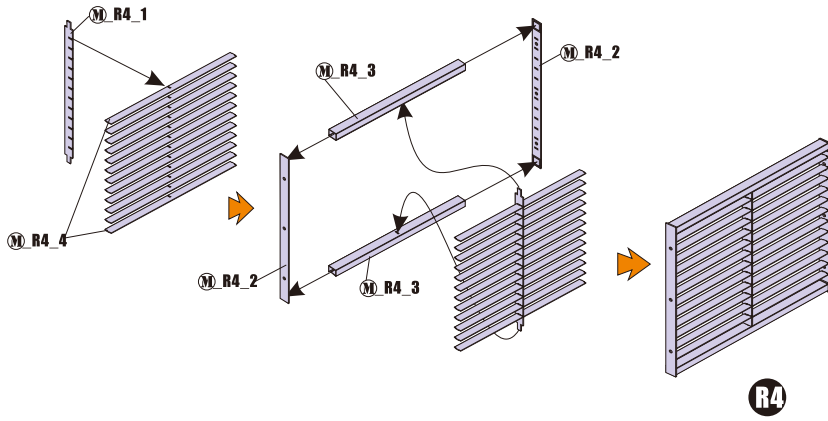
**AV**



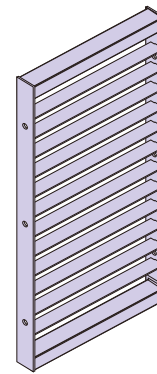




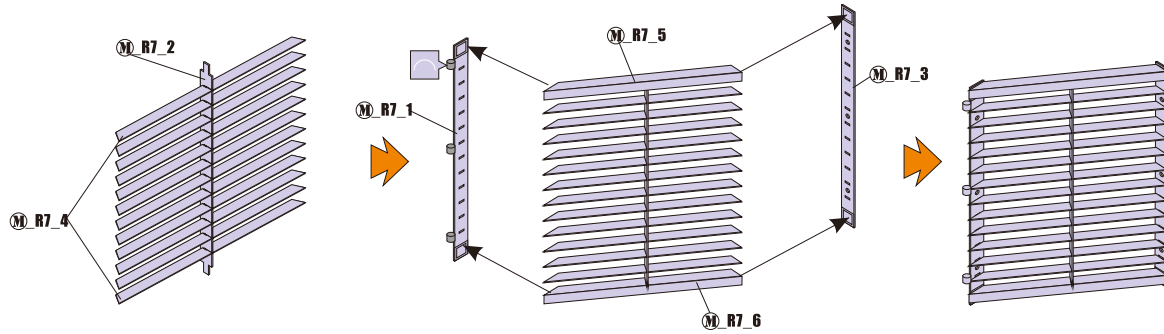




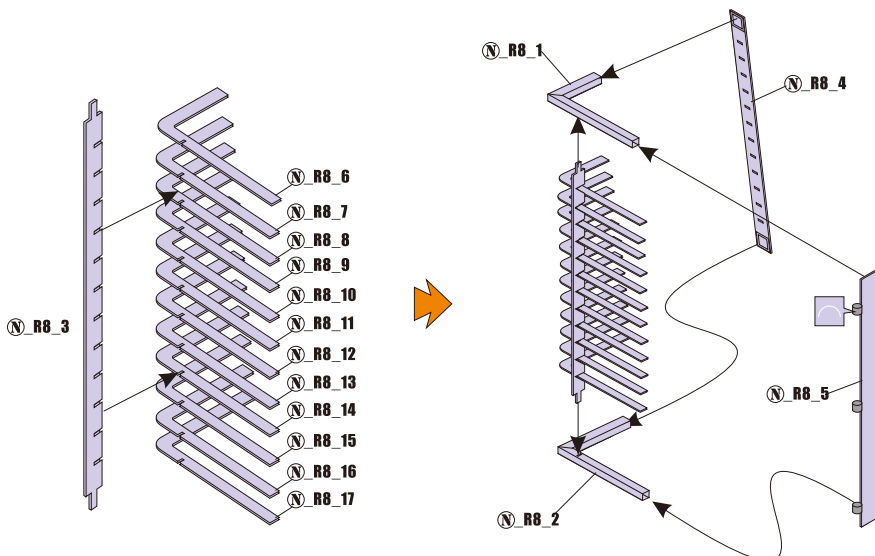
**R5**



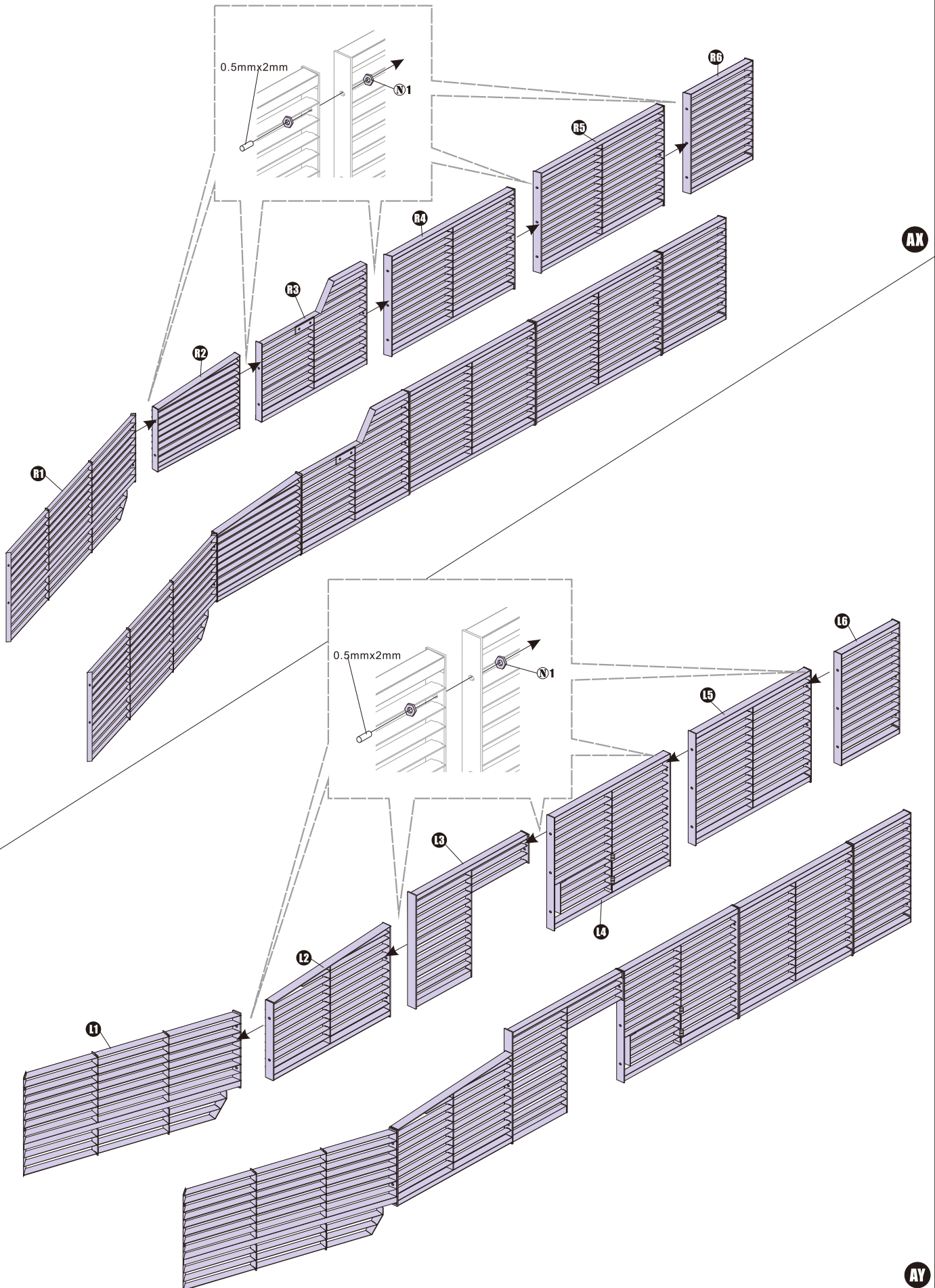
**R6**

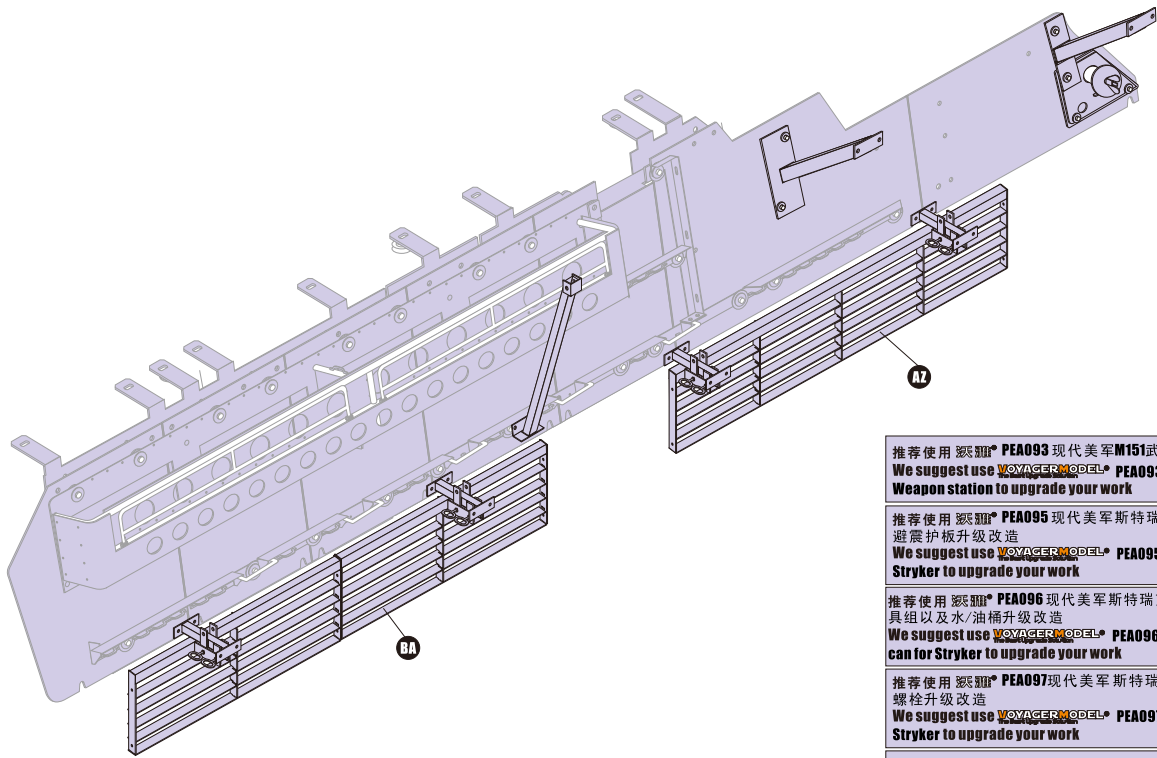


**R7**

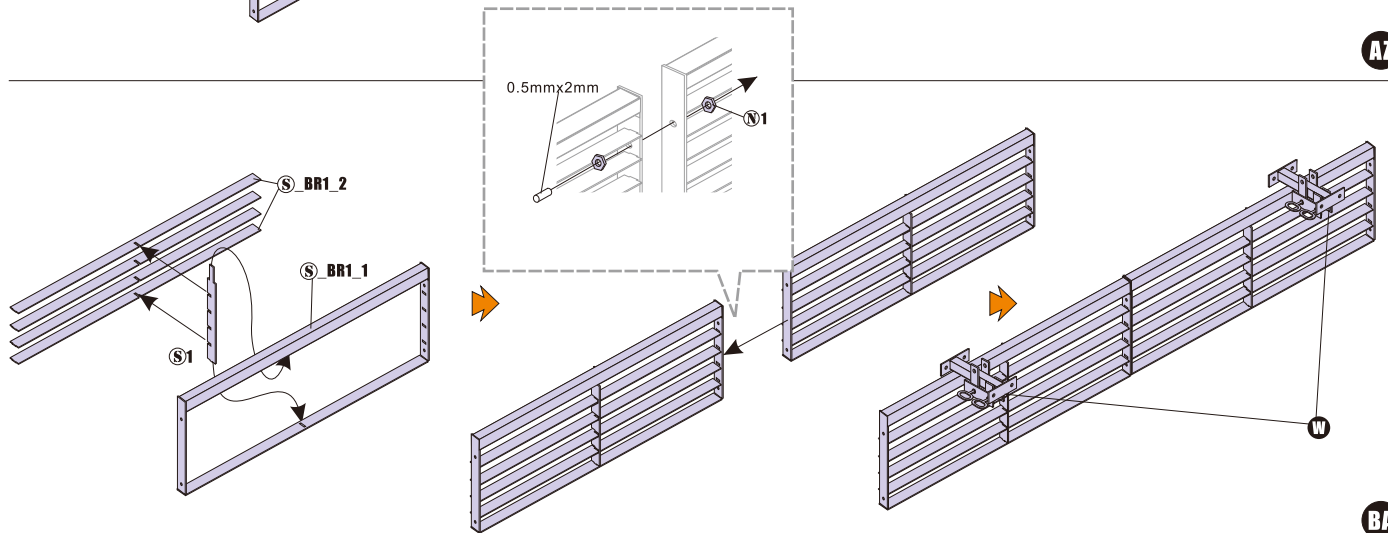
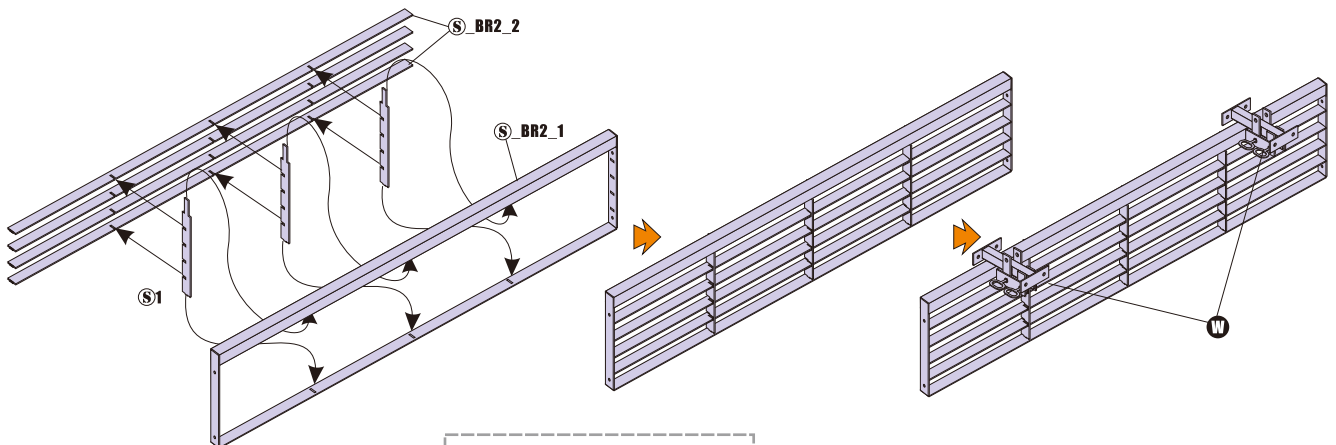


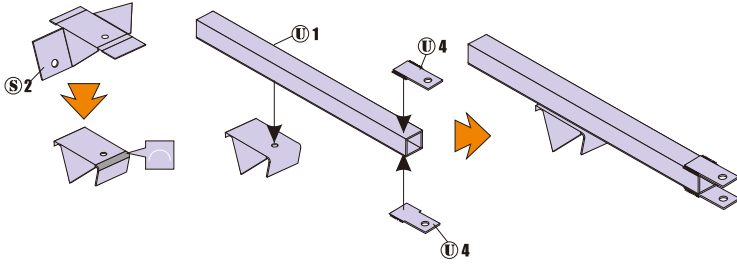
**R8**



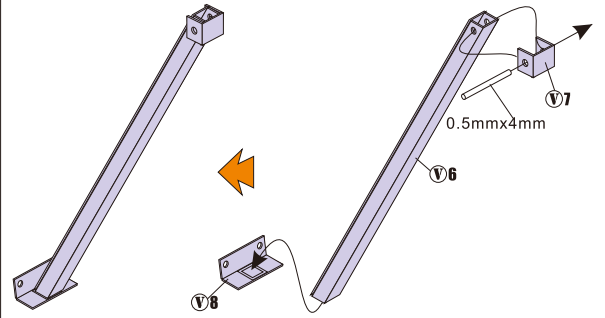


- 推荐使用 赛铂® PEA093 现代美军M151武器站升级改造  
 We suggest use **VOYAGERMODEL® PEA093 M151 Remote Weapon station** to upgrade your work
- 推荐使用 赛铂® PEA095 现代美军斯特瑞克装甲车系列悬挂避震护板升级改造  
 We suggest use **VOYAGERMODEL® PEA095 Suspension cover** for Stryker to upgrade your work
- 推荐使用 赛铂® PEA096 现代美军斯特瑞克装甲车系列通用工具组以及水/油桶升级改造  
 We suggest use **VOYAGERMODEL® PEA096 OVM and water/fuel can** for Stryker to upgrade your work
- 推荐使用 赛铂® PEA097 现代美军斯特瑞克装甲车车身紧固螺栓升级改造  
 We suggest use **VOYAGERMODEL® PEA097 Fastening bolt** for Stryker to upgrade your work
- 推荐使用 赛铂® PEA098 现代美军通用天线升级改造  
 We suggest use **VOYAGERMODEL® PEA098 Antenna** for USMc vehicles to upgrade your work

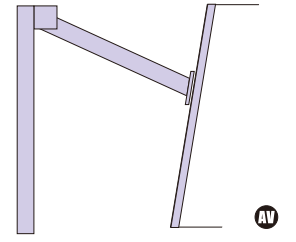
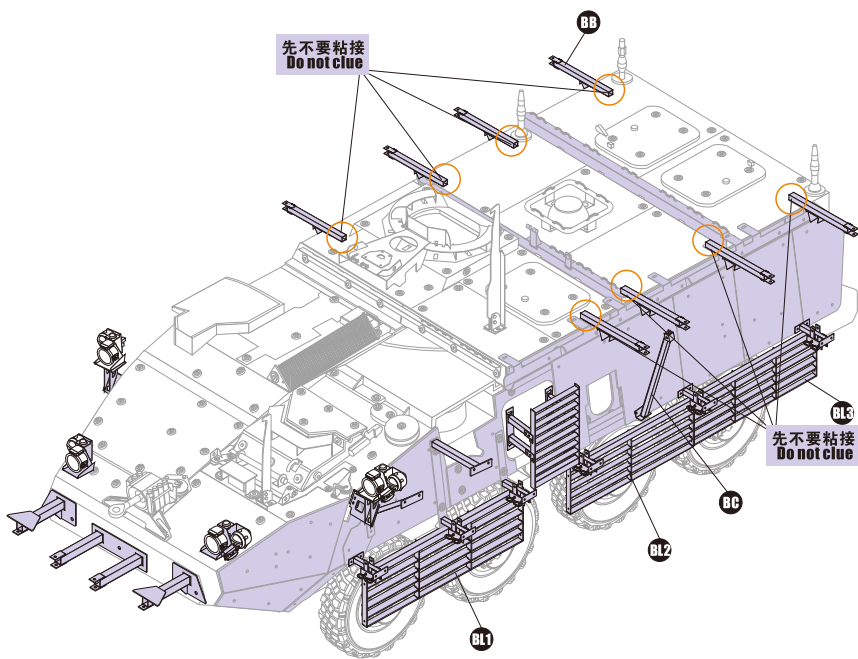




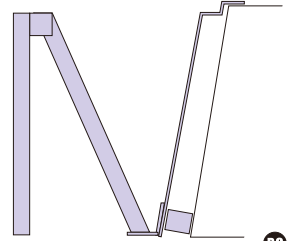
**BB** **W8**



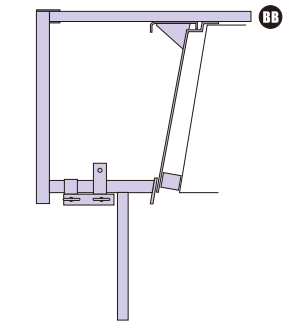
**BC**



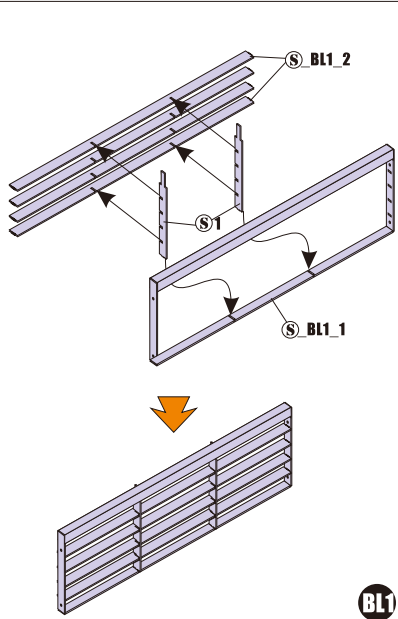
**AV**



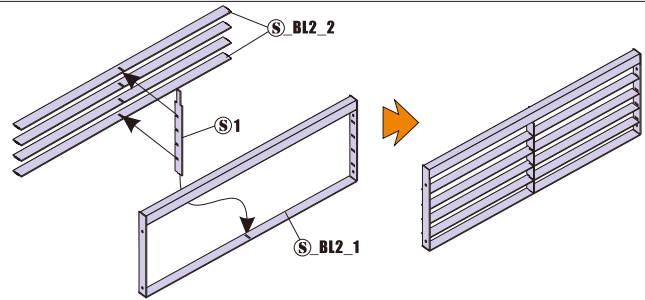
**BC**



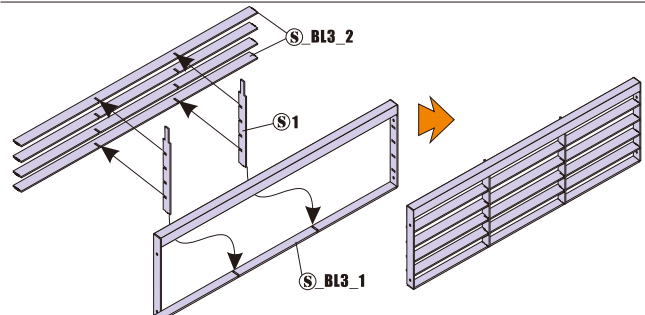
**BB**



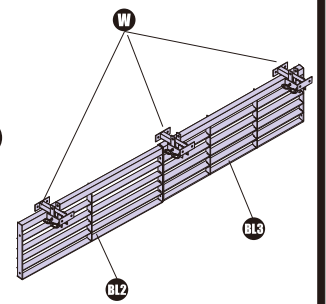
**BL1**



**BL2**



**BL3**



**W**

**BL2**

**BL3**



