



A1286-200

Coca-Cola

KENWORTH CONVENTIONAL W-925

READ THIS BEFORE YOU BEGIN

Look over this instruction sheet carefully before you begin building. Follow the assembly instructions and "test-fit" the parts without cementing. This will familiarize you with the location of the parts.

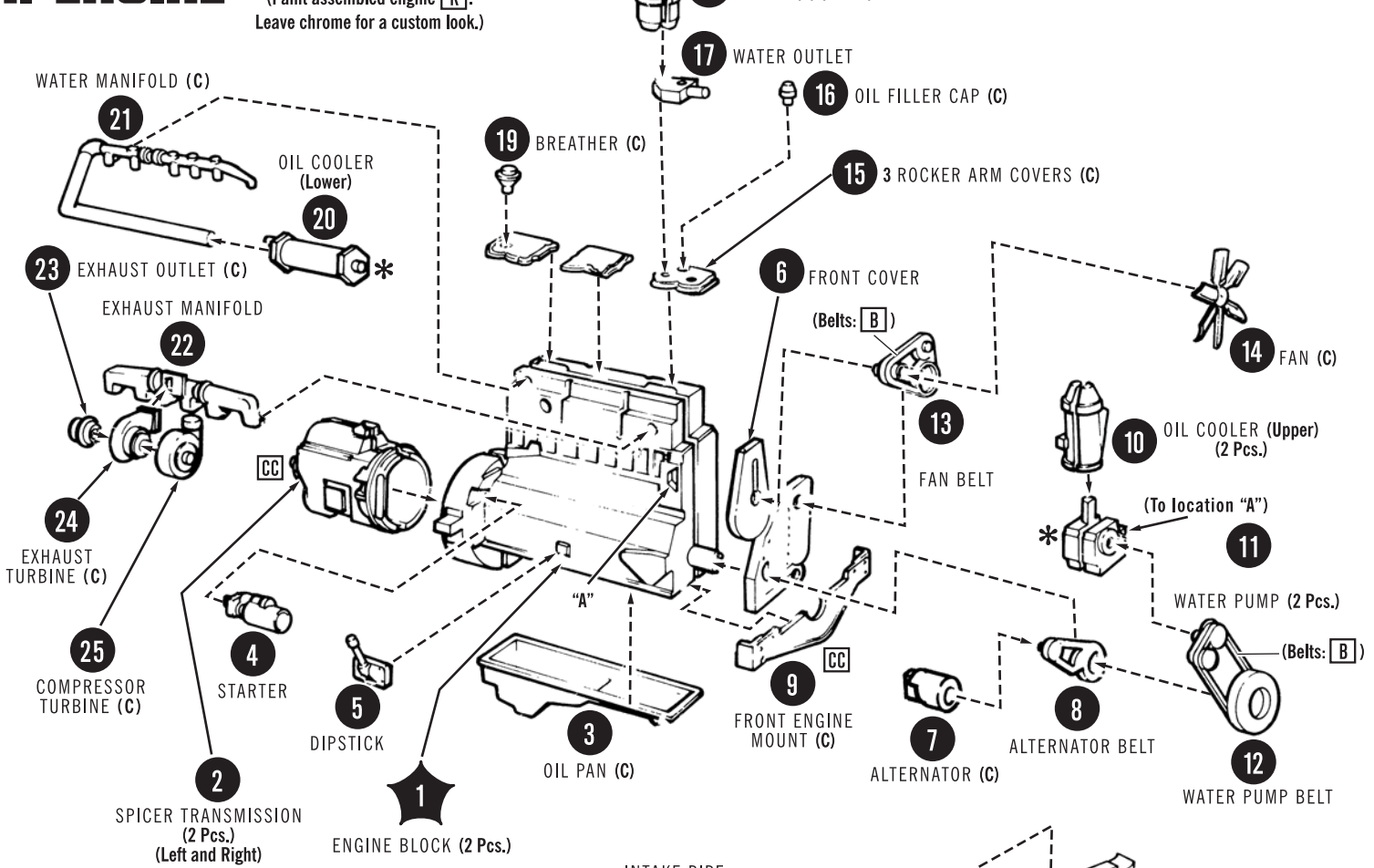
For the best results, the various sub-assemblies and components should be painted before any "chrome" parts are attached. For example: When attaching "non-chrome" body accessories, it is best to cement them in place and paint the body as a unit.

only paint and cement made for Styrene. Trim excess plastic from parts before joining. When attaching "chrome" parts, scrape plating away where parts are to be joined. Use just enough cement to join parts, and be careful not to smear cement on exposed surfaces.

Build according to the instructions on this sheet, you should have no trouble assembling your kit. Just FOLLOW THE NUMBERS, as parts are numbered in order of assembly. (C) INDICATES "CHROME" PARTS.

AMT kits are molded from the finest High-Impact Styrene plastic. Use

1. ENGINE

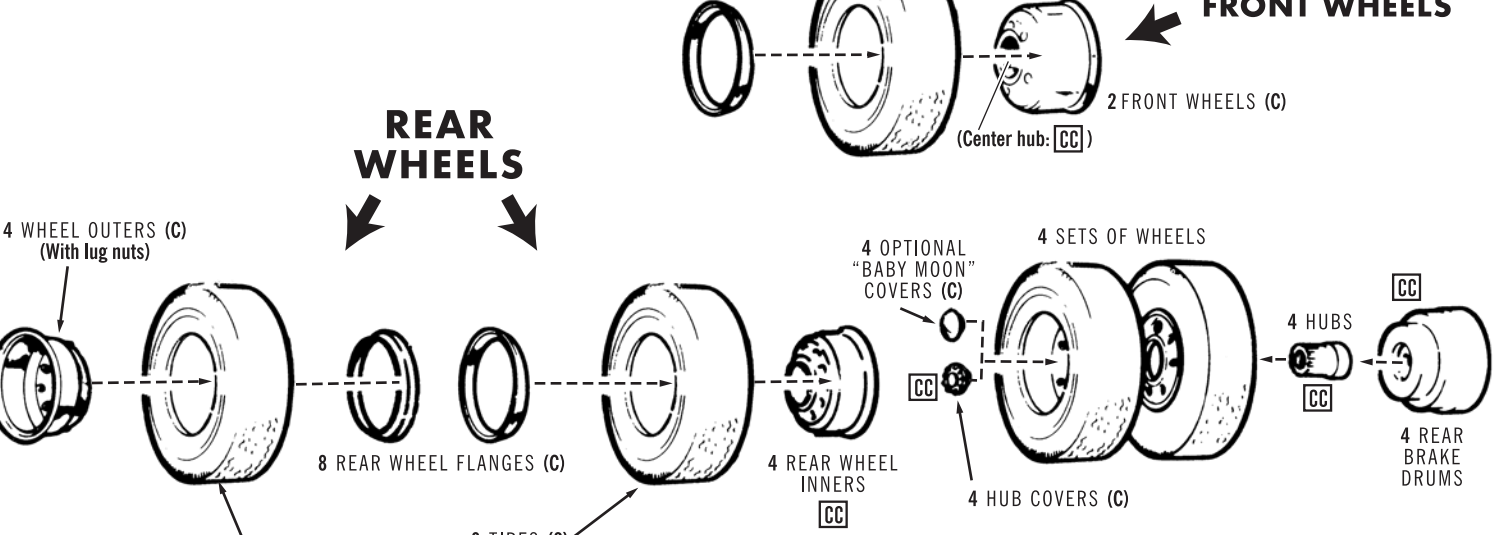


PAINT COLORS

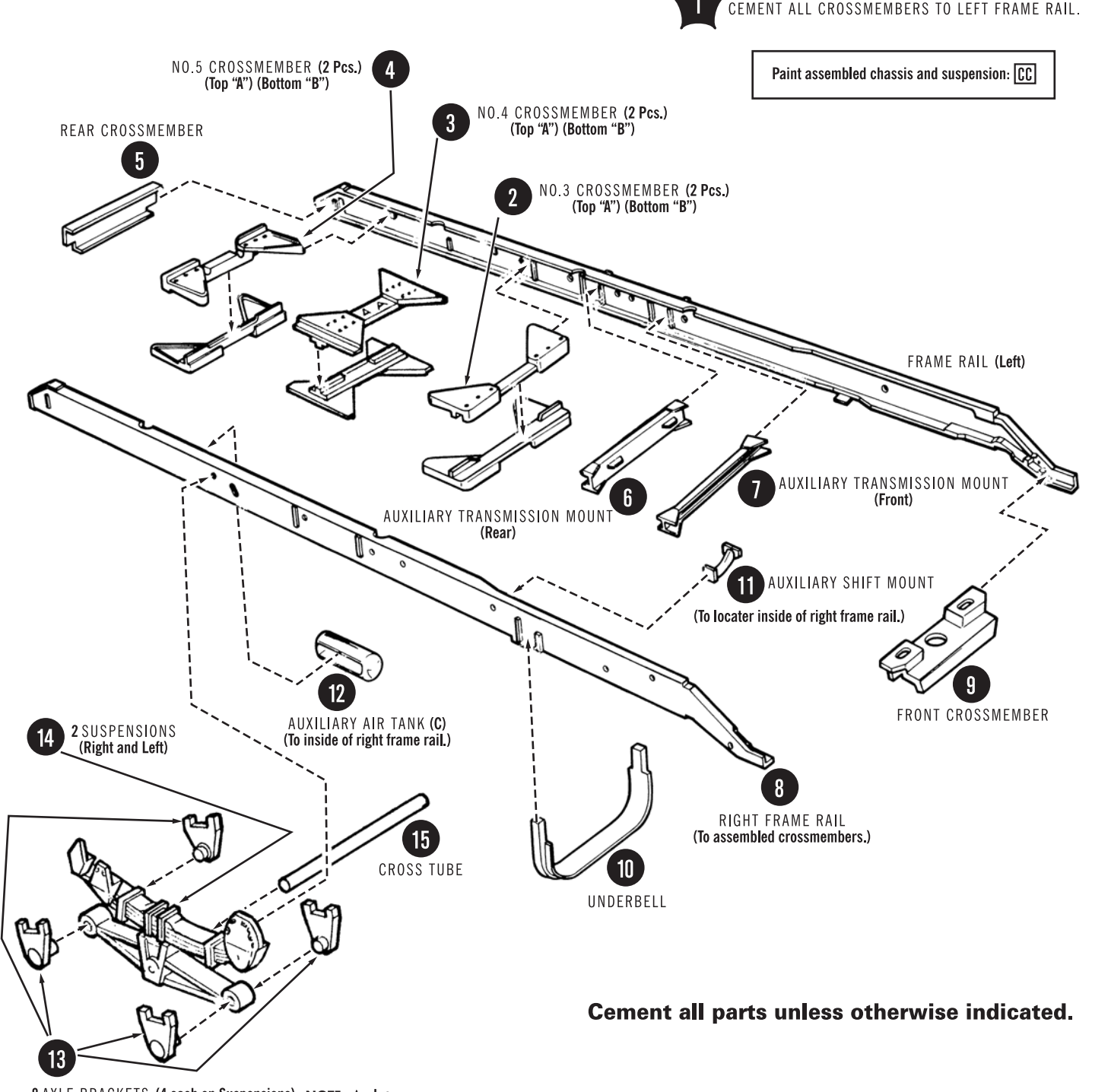
A	Black	Q	Yellow
B	Flat Black	R	Tan
C	Semi-Gloss Black	S	Brown
D	White	T	Lt. Blue
E	Flat White	U	Med. Blue
F	Silver	V	Dark Blue
G	Chrome (Bright Silver)	W	Transparent Blue
H	Aluminum	X	Lt. Green
I	Steel	Y	Dark Green
J	Brass	Z	Gray
K	Gold	CC	Chassis Color
L	Amber	IC	Interior Color
M	Transparent Amber	BC	Body Color
N	Red	▲	Semi-Gloss
O	Transparent Red	△	Gloss
P	Orange	▲	Metallic

Color combinations are endless. Standard was one color on cab and one on chassis. It is recommended that you search the internet for additional color references and details.

2. WHEELS

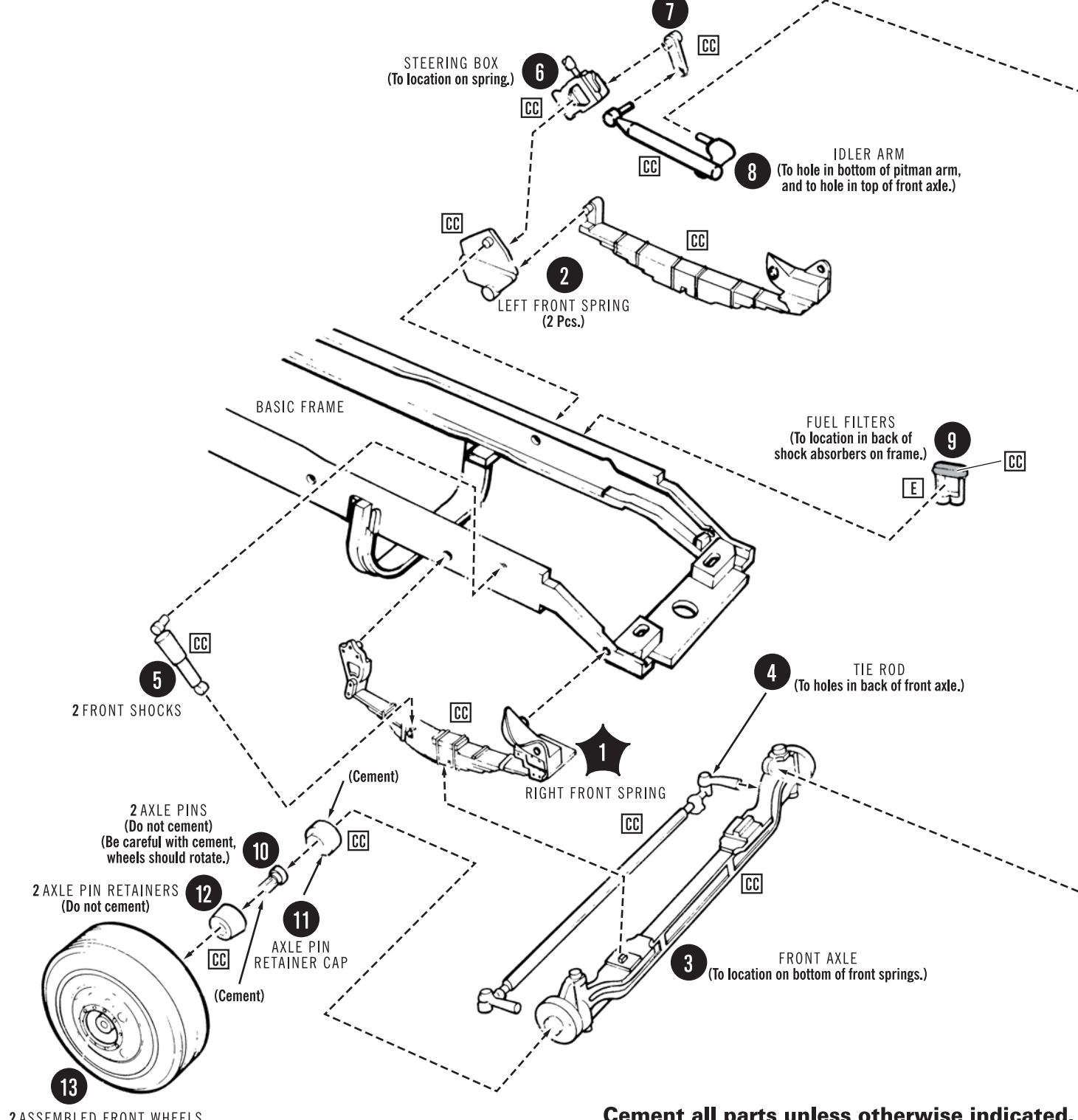


3. BASIC CHASSIS



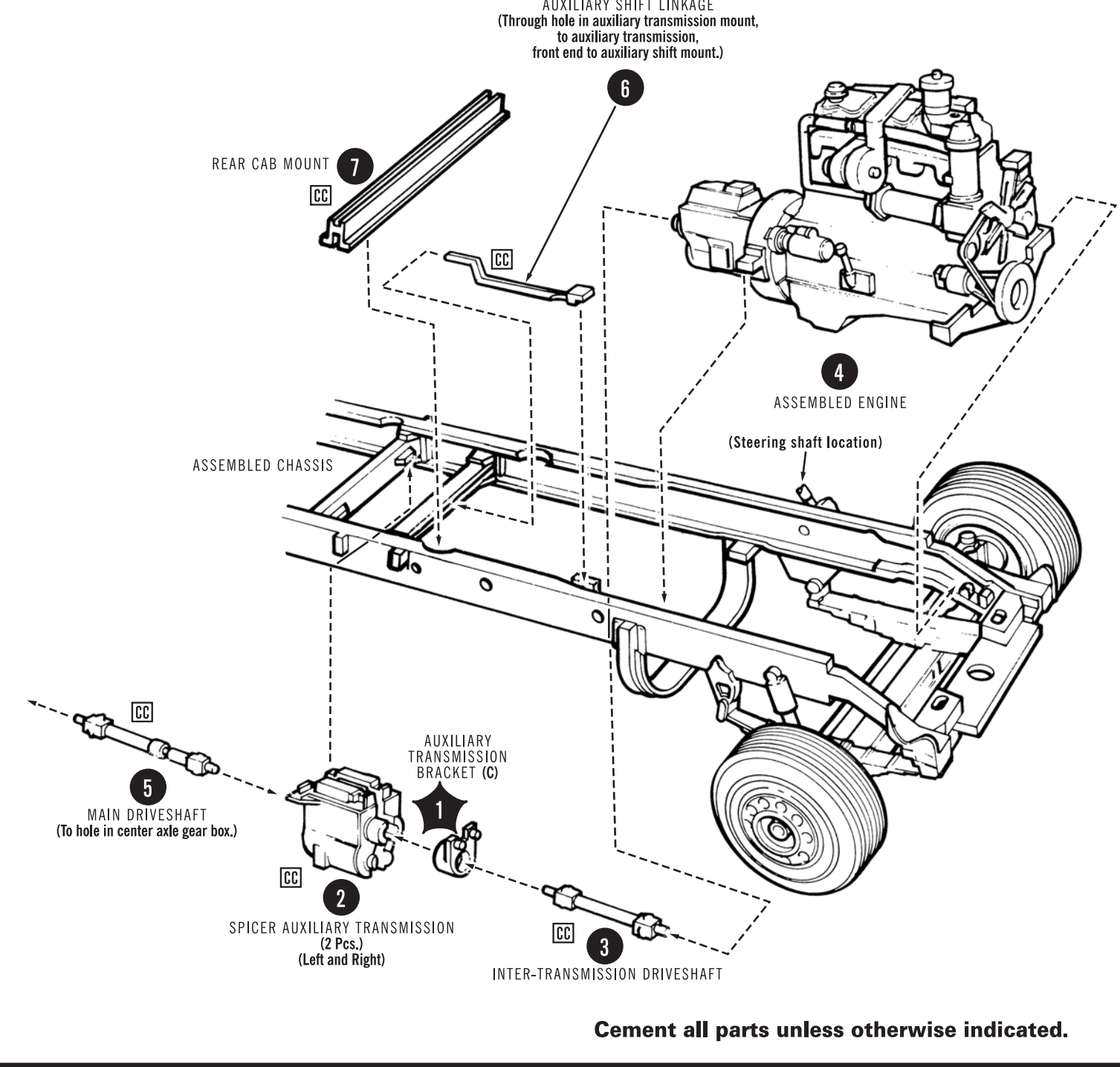
Cement all parts unless otherwise indicated.

4. FRONT AXLE



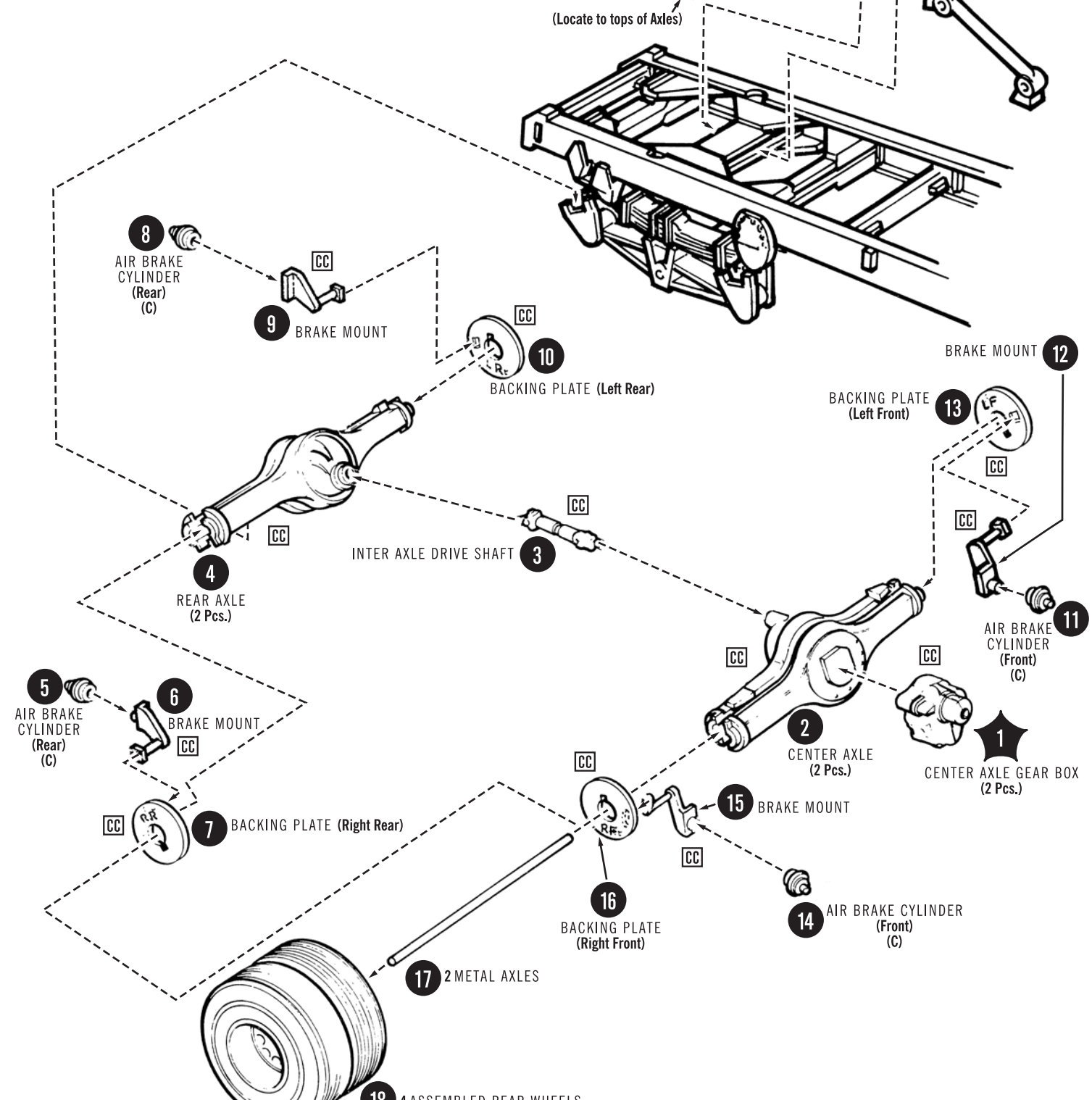
Cement all parts unless otherwise indicated.

5. ENGINE TO CHASSIS



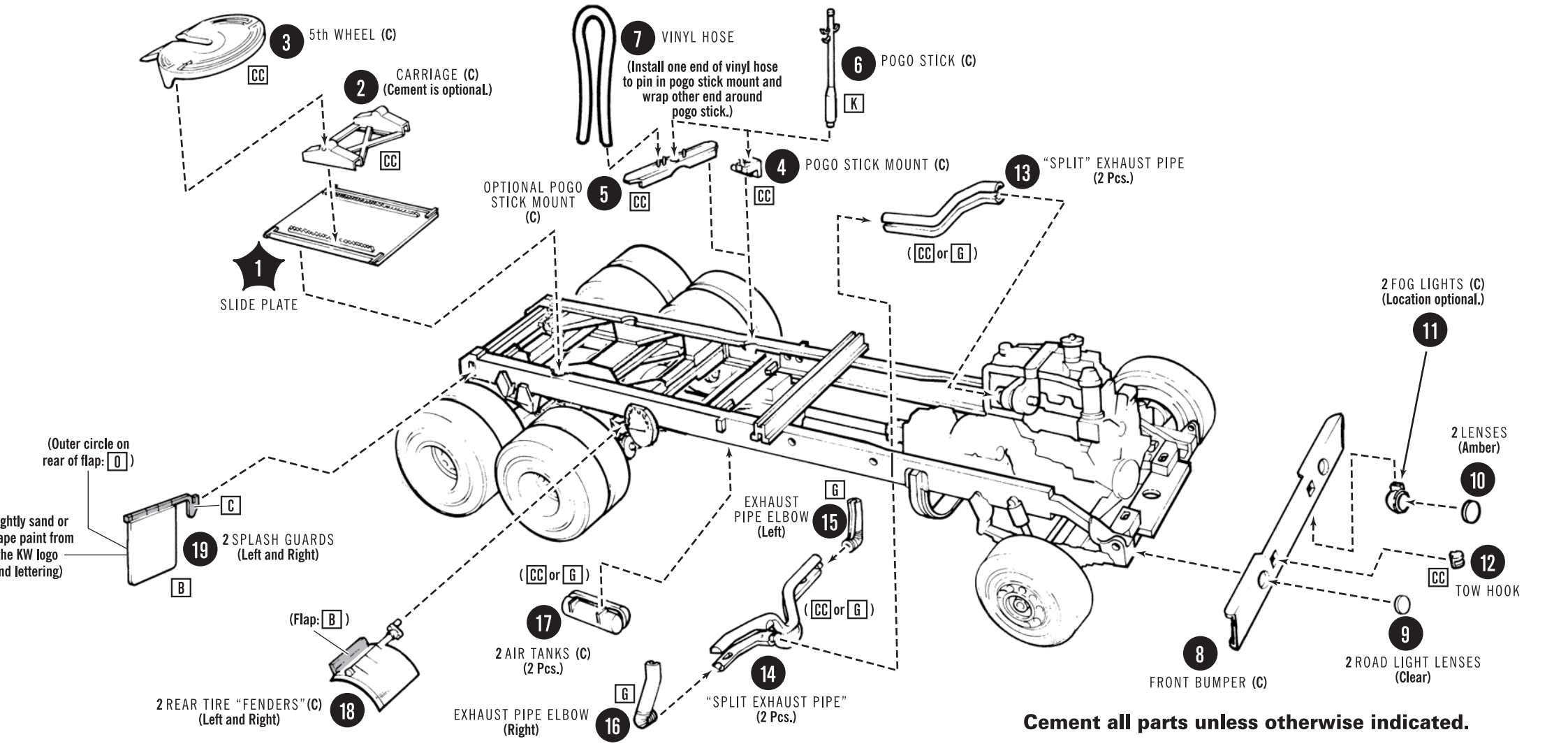
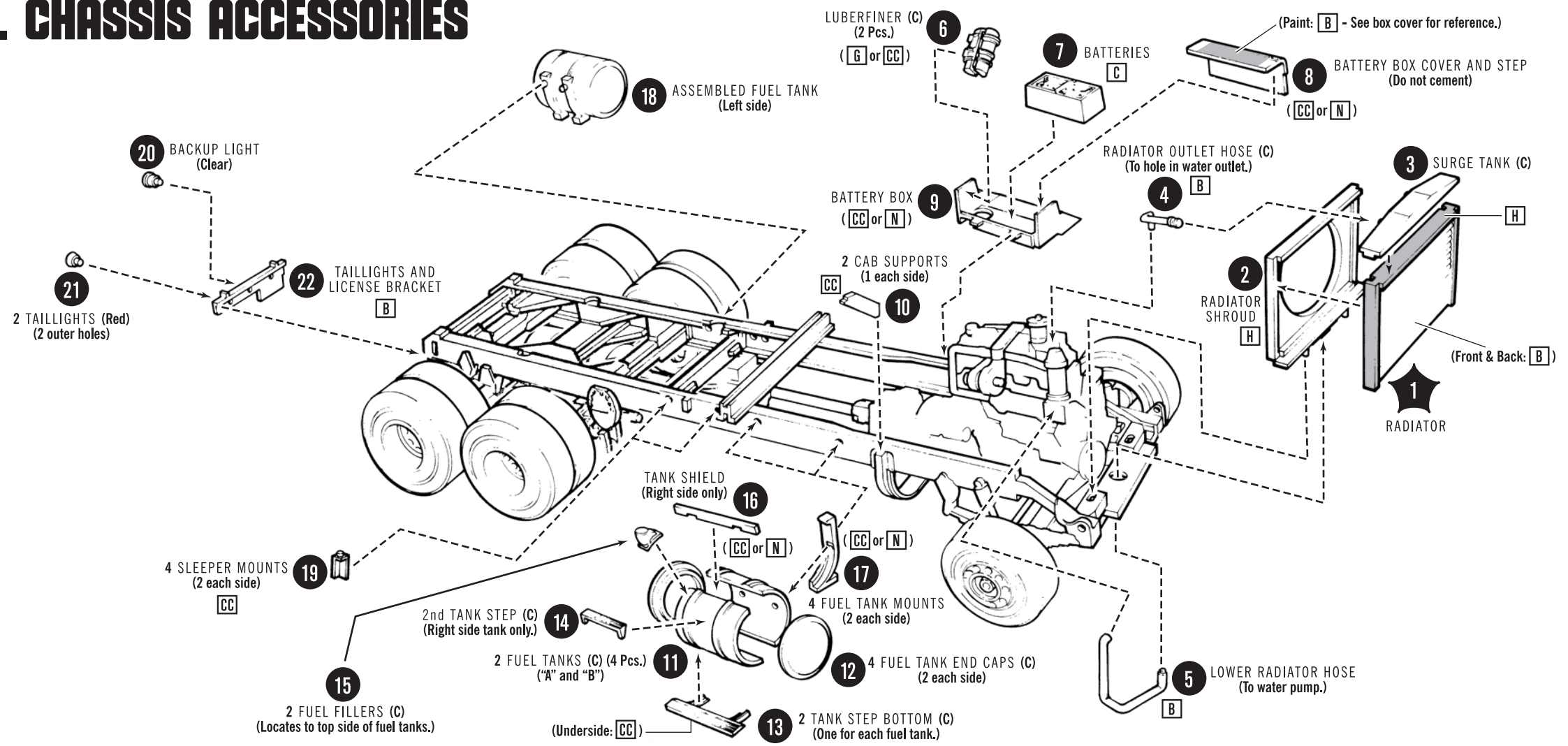
Cement all parts unless otherwise indicated.

6. REAR DRIVE TRAIN

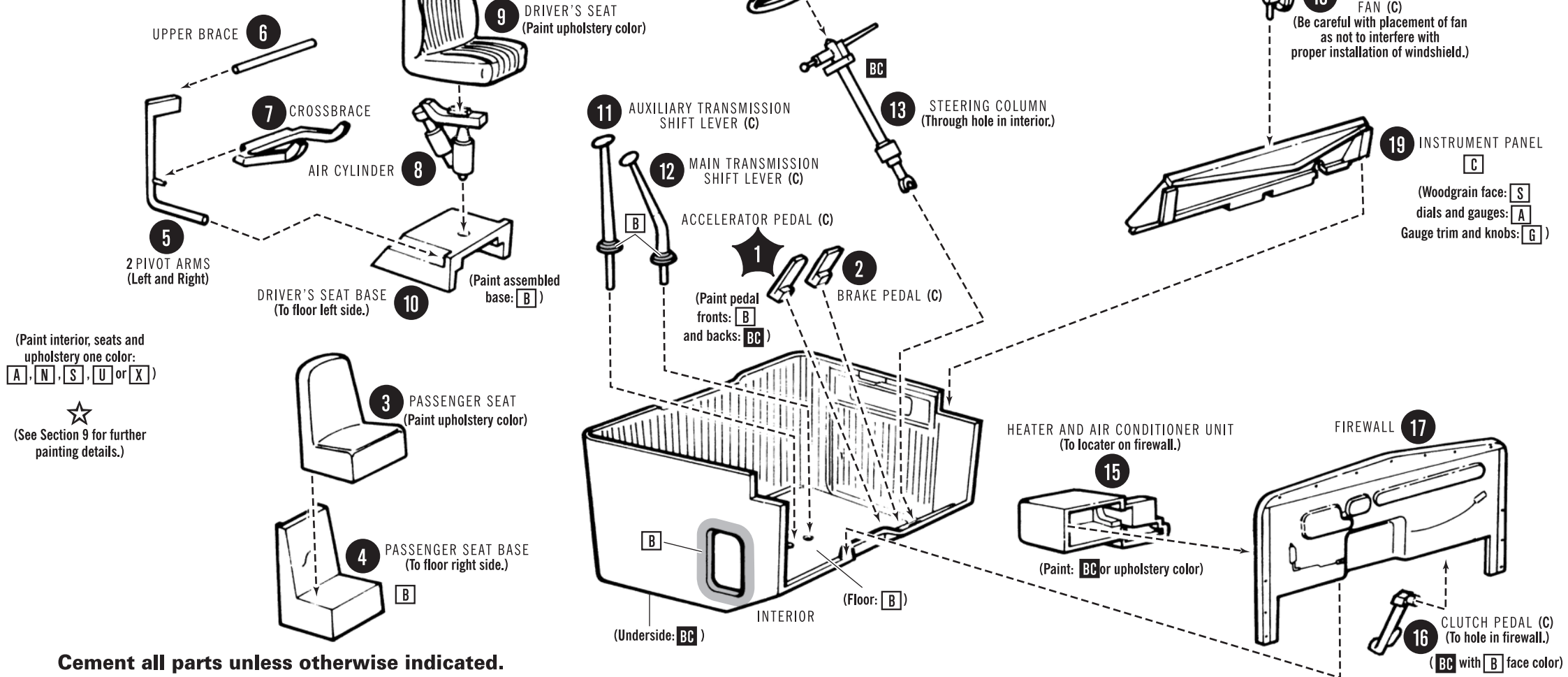


Cement all parts unless otherwise indicated.

7. CHASSIS ACCESSORIES

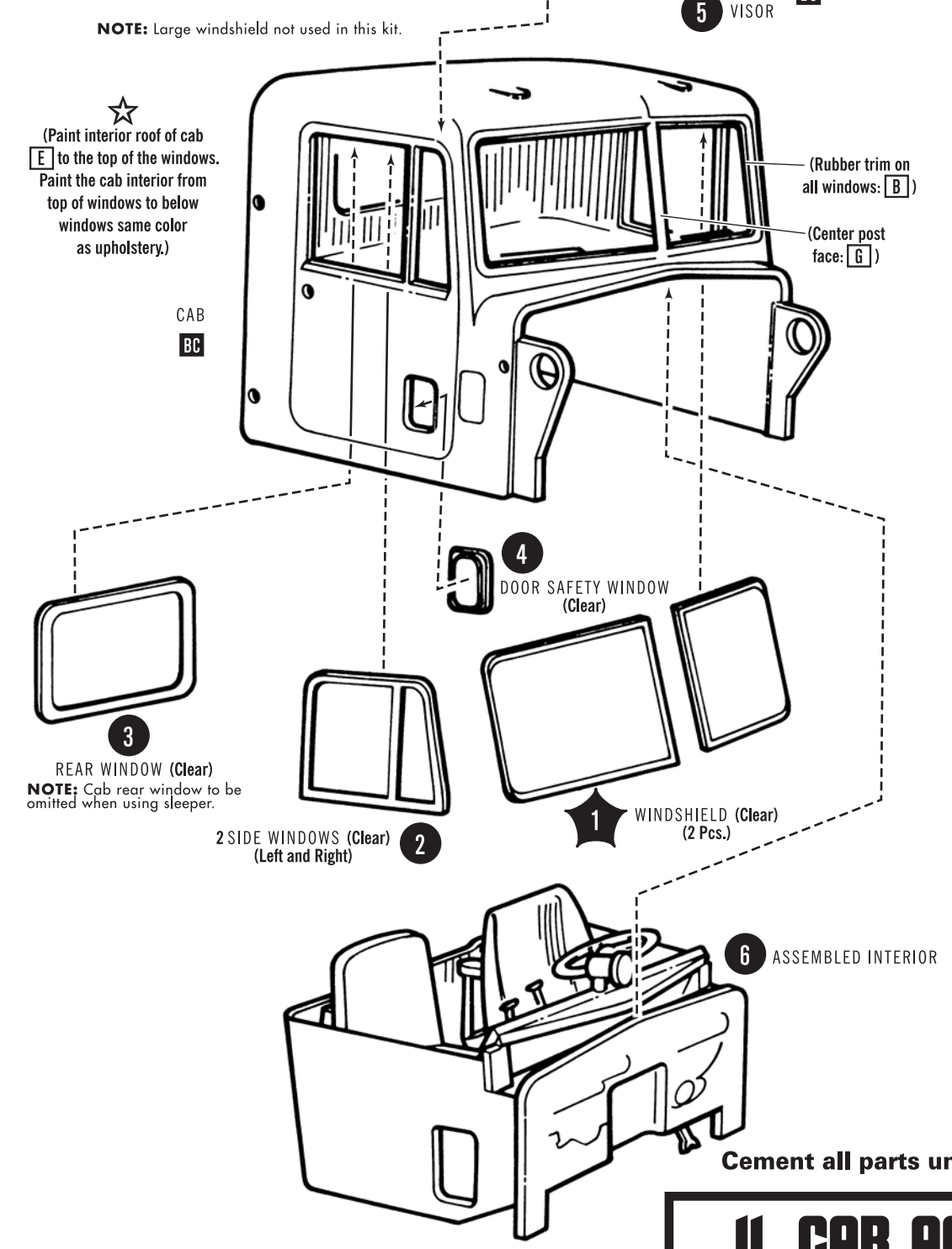


8. INTERIOR



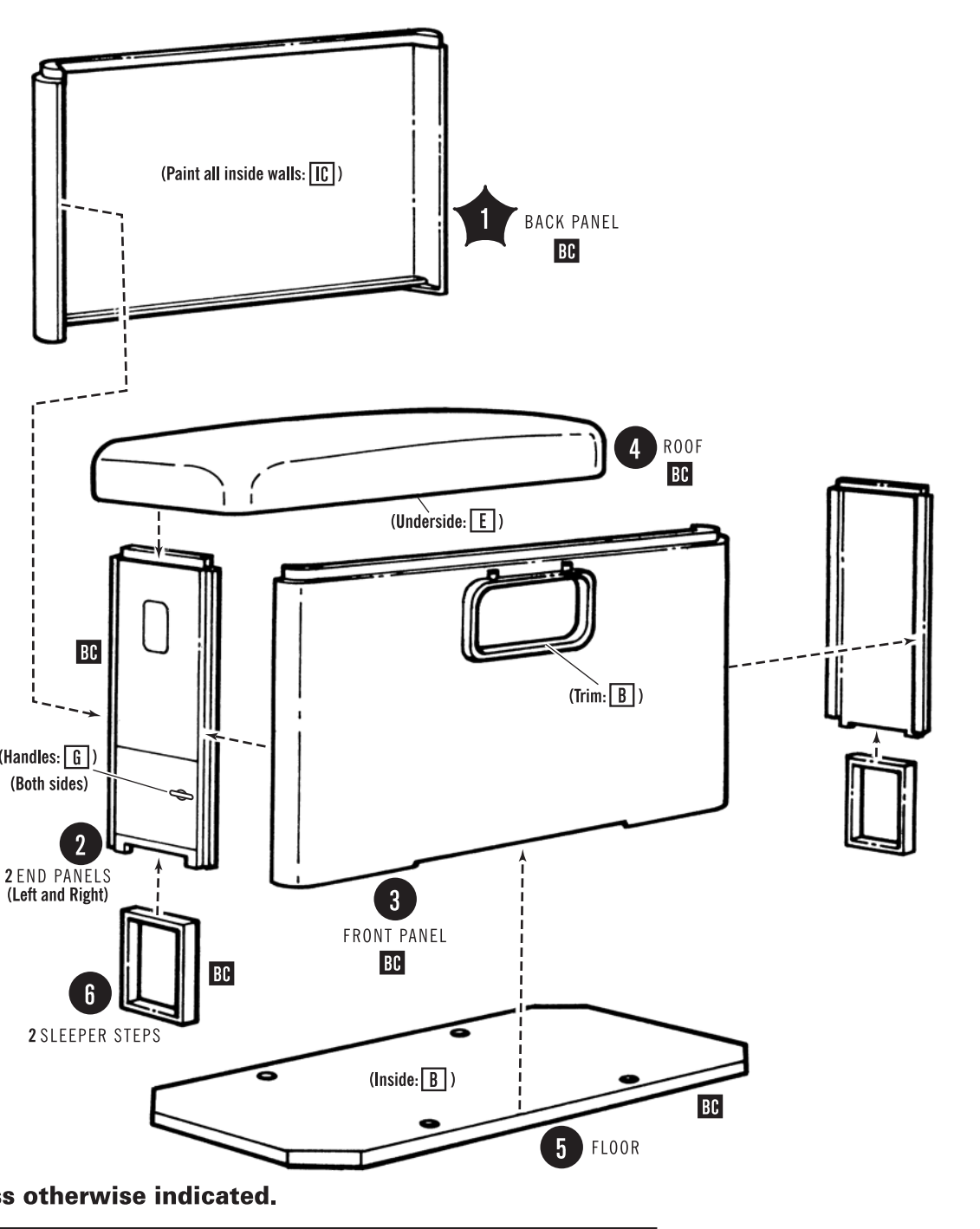
Cement all parts unless otherwise indicated.

9. WINDOWS INTERIOR TO CAB



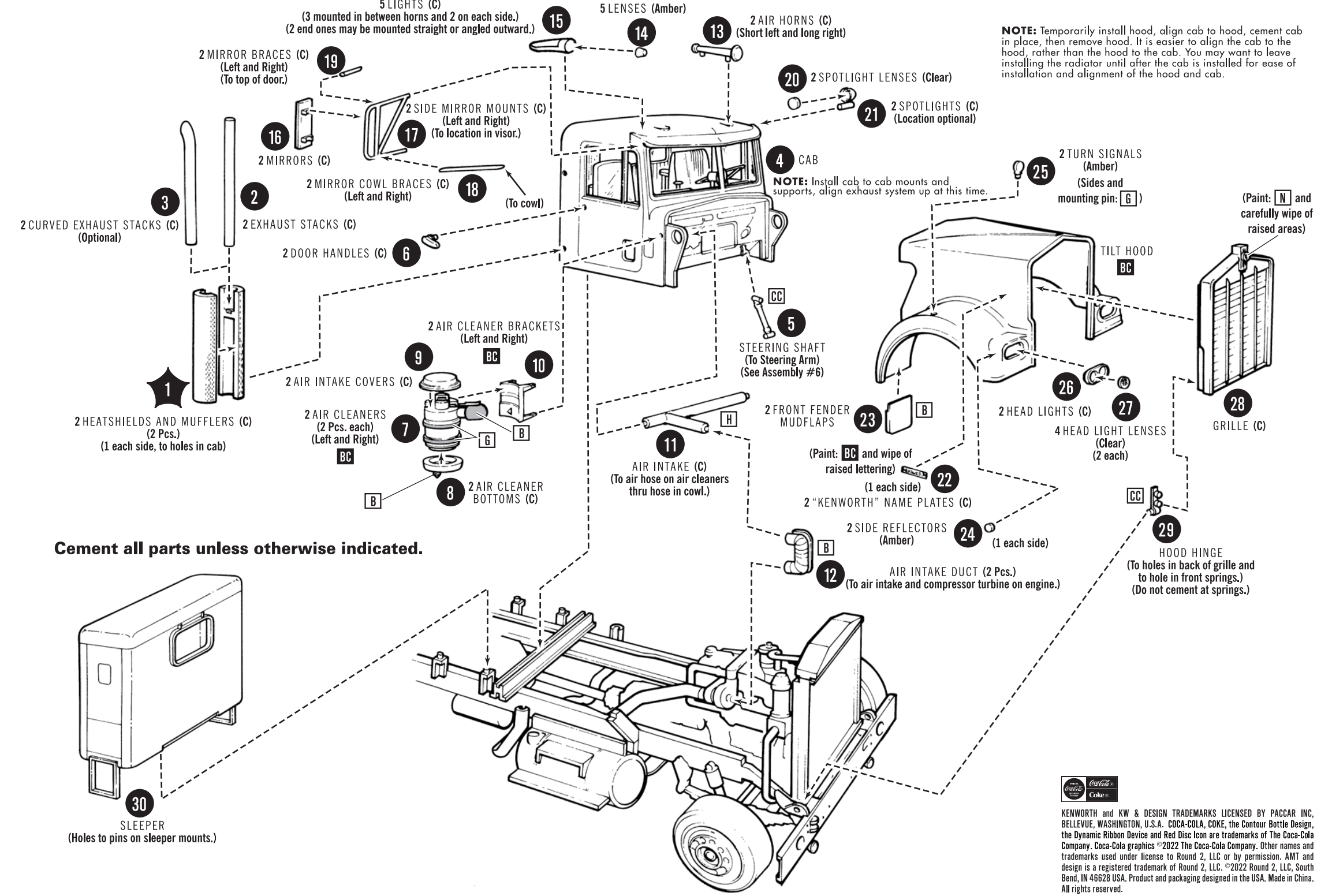
Cement all parts unless otherwise indicated.

10. SLEEPER OPTIONAL



Cement all parts unless otherwise indicated.

11. CAB ACCESSORIES CAB TO CHASSIS



Cement all parts unless otherwise indicated.

KENWORTH and KW DESIGN TRADEMARKS LICENSED BY PACCAR INC. BELLEVUE, WASHINGTON, U.S.A. COCA-COLA, COKE, the Contour Bottle Design, the Dynamic Ribbon Device and Red Disc Logo are trademarks of The Coca-Cola Company. Coca-Cola graphics ©2022 The Coca-Cola Company. Other names and trademarks used under license to Round 2, LLC or by permission. AMT and design is a registered trademark of Round 2, LLC. ©2022 Round 2, LLC, South Bend, IN 46628 USA. Product and packaging designed in the USA. Made in China. All rights reserved.