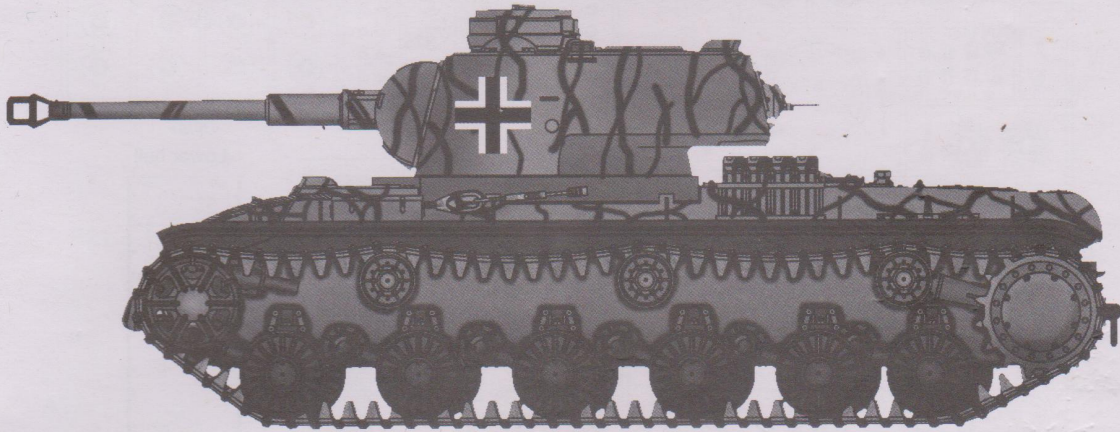


1:35 SCALE

ITEM NO.00366

# German Pz.Kpfm KV-1 756(r) Tank

## 德国缴获KV-1 756(r)坦克



### READ BEFORE ASSEMBLY:

- This kit is not recommended for inexperienced modelers or for children under 14 years of age
- Study and understand these instructions thoroughly before beginning assembly
- When needed, remove photo-etch parts carefully using a modeling knife or photo etch sprue cutter, being careful not to damage or lose small parts.
- Take extra care in handling photo etch parts in order to avoid injury
- Apply instant cement sparingly to photo etch parts where instructed
- Tools recommended(not included in kit):Plastic and instant cements,sprue cutters,long nose pliers,modeling knife, small files, tweezers, pin vise & scissors. Soft cloth and sandpaper will also assist in construction
- Glue and paint are not included in the kit. Use plastic cement and hobby paints only. Color guide for purchasing paint is included in the kit.
- Keep out of reach of small children. They must not be allowed to ingest small parts or handle plastic bags in any way.

### 装配之前仔细阅读

- 小心用模型锉刀锉平所有零件表面的注射浇口。
- 小心用刀片切下蚀刻片零件，不要遗失小零件。
- 用强力快干胶水粘合蚀刻片零件和金属轴。过量的快干胶水使用可能导致可动零件会粘住，小心涂胶。
- 取蚀刻片时应特别注意安全，防止利边划伤手指。
- 某些零件表面需贴上水贴纸，请选择在装配的同时进行。
- 推荐模型工具(自备)：胶水，水口剪刀，长咀钳，刀片，锉刀，镊子，钳，钻，剪刀，瞬间快干胶。
- 软布同砂纸同时也应该是必备工具。
- 请使用塑料胶水和油漆，模型内不含。
- 谨防小孩吸吮塑料零件，或者将塑料袋套在头上，制作时应将套材远离小孩接触。
- 本产品不适合14岁以下没有经验的模型爱好者。



cyanoacrylate glue  
使用强力胶



weight  
配重



make hole  
钻孔



cut / remove  
切除



bend  
弯曲



file / sand  
锉平



option  
选择



no cement  
不涂胶水



decal  
贴纸

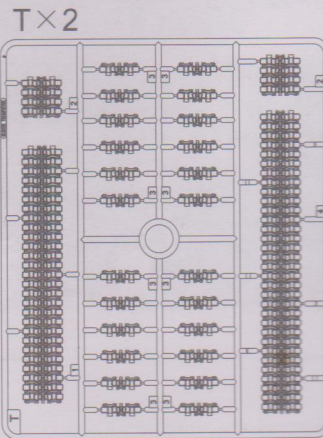
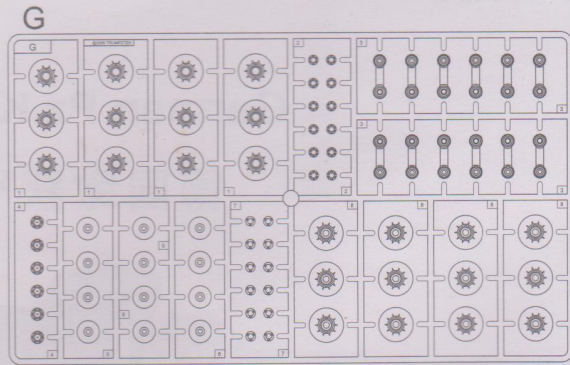
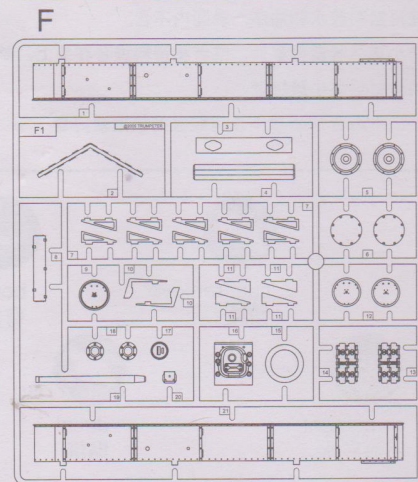
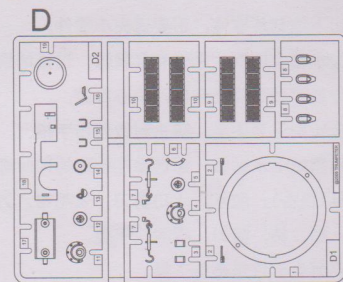
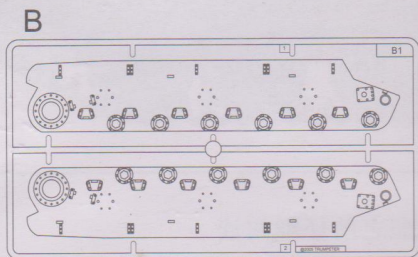
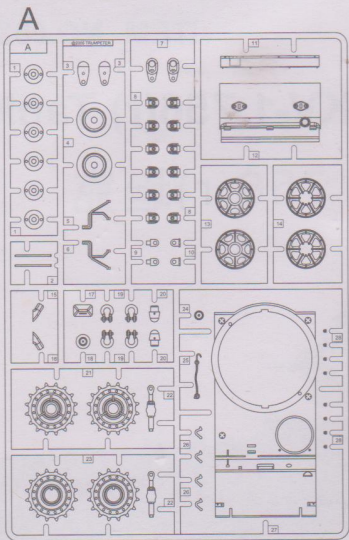
### 水贴纸的使用:

1. 从水贴纸上剪下印花;
2. 将印花放入温水中浸10秒，然后放在干净布上。
3. 拿着印花纸板将印花移到模型上;
4. 手指蘸水将印花移到适当的位置;
5. 用软布轻压印花直至水干，气泡消失。

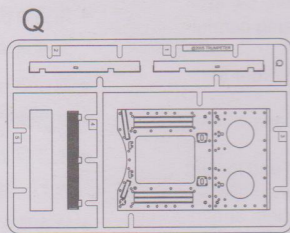
### DECAL APPLICATION

1. Cut off decal from sheet.
2. Dip the decal in tepid water 40°C for about 10 sec. and place on a clean cloth.
3. Hold the backing sheet edge and slide decal onto the model.
4. Move decal into position by wetting decal with finger.
5. Press decal gently down with a soft cloth until excess water and air bubbles are gone.
6. Allow decal to dry completely before handling model.

# 部品图 Parts



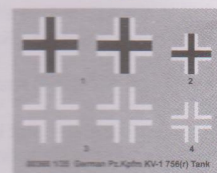
《车底》  
Lower hull



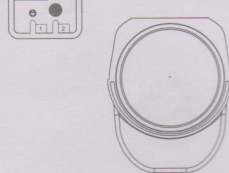
《炮塔上部》  
Upper turret



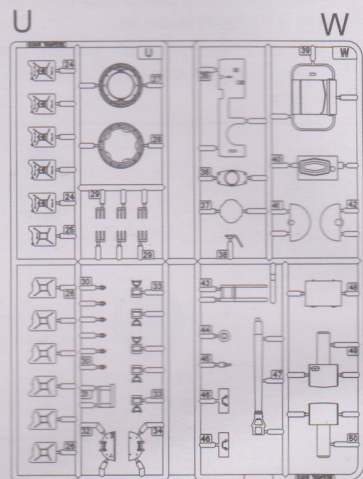
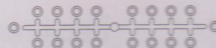
《贴纸》  
Decal



《炮塔下部》  
Lower turret

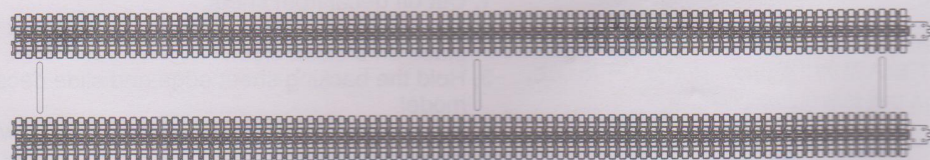


《聚乙烯套》  
Poly cap



《铜线》 $\phi$  1.0 $\times$ 200mm  
Brass wire  $\phi$  1.0 $\times$ 200mm

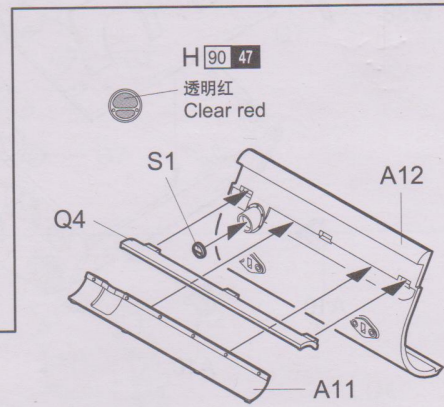
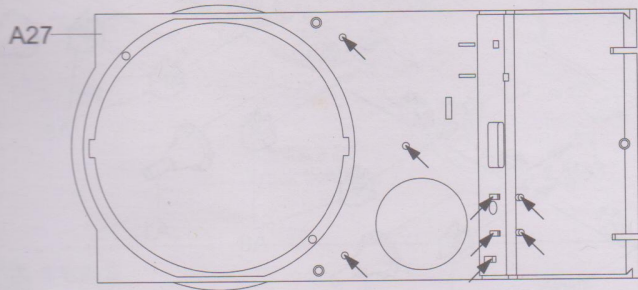
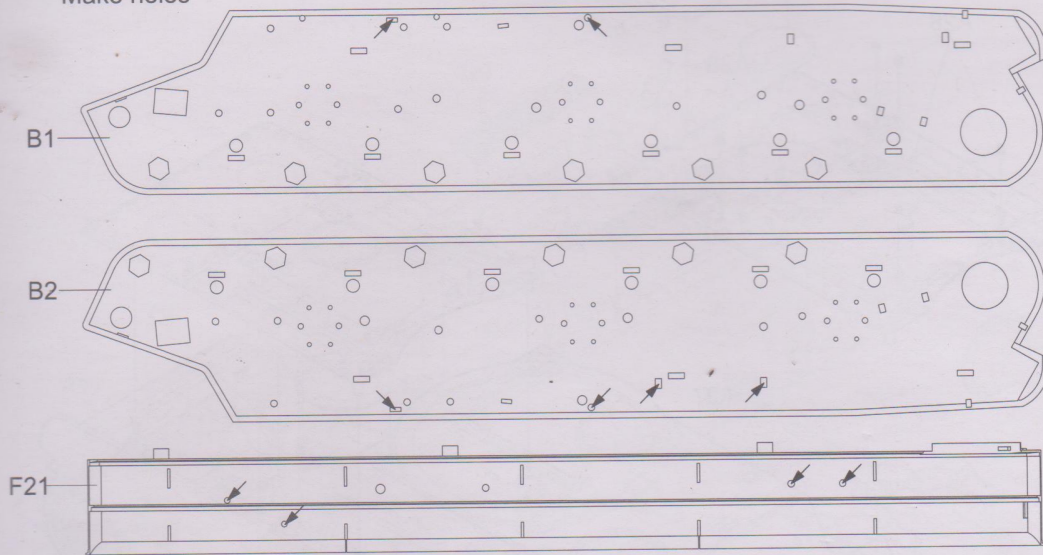
《履带》  
Track



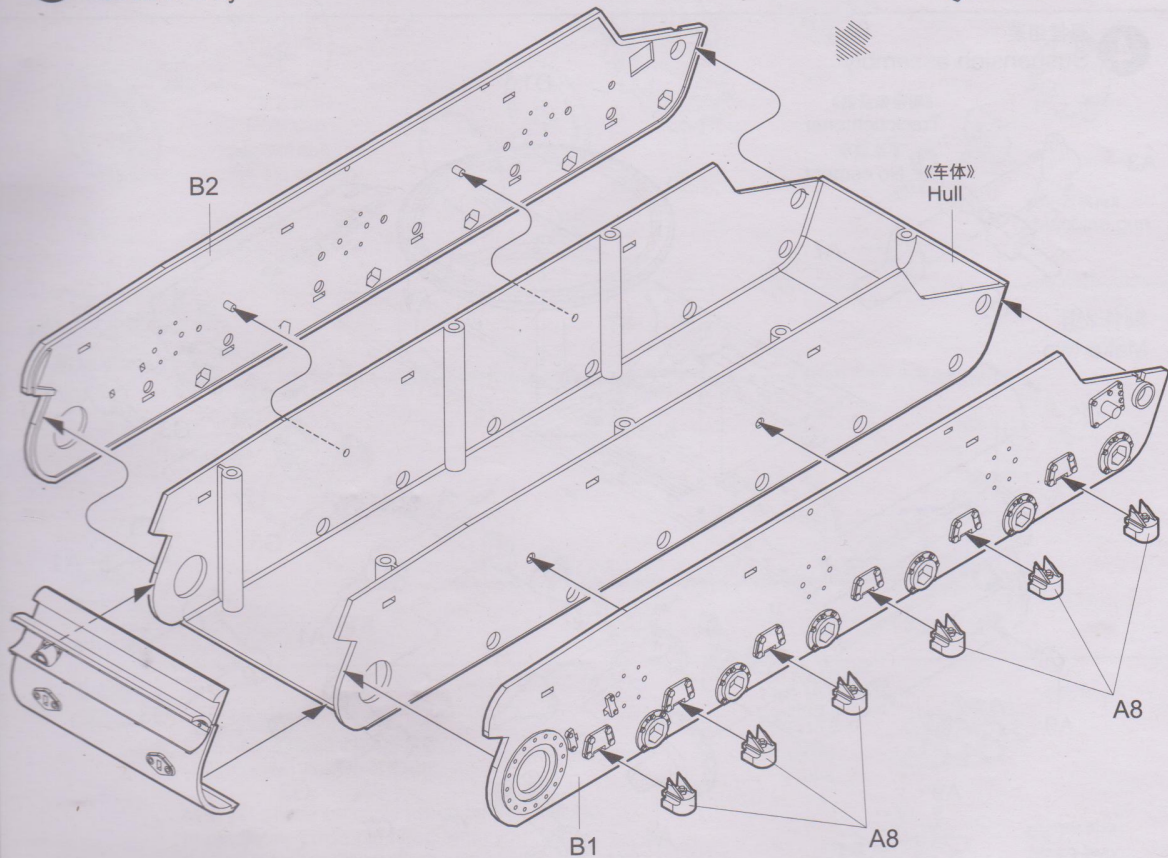
No used parts

不用部品: A2、A18、A20X2、A28X2、D10X2、D13、D16、D17、D18、F8、F11、F16、F17、F18、F19、F20、F22、F24、F25、G2、U24、U25、U26X2、U29X2、U30X2。

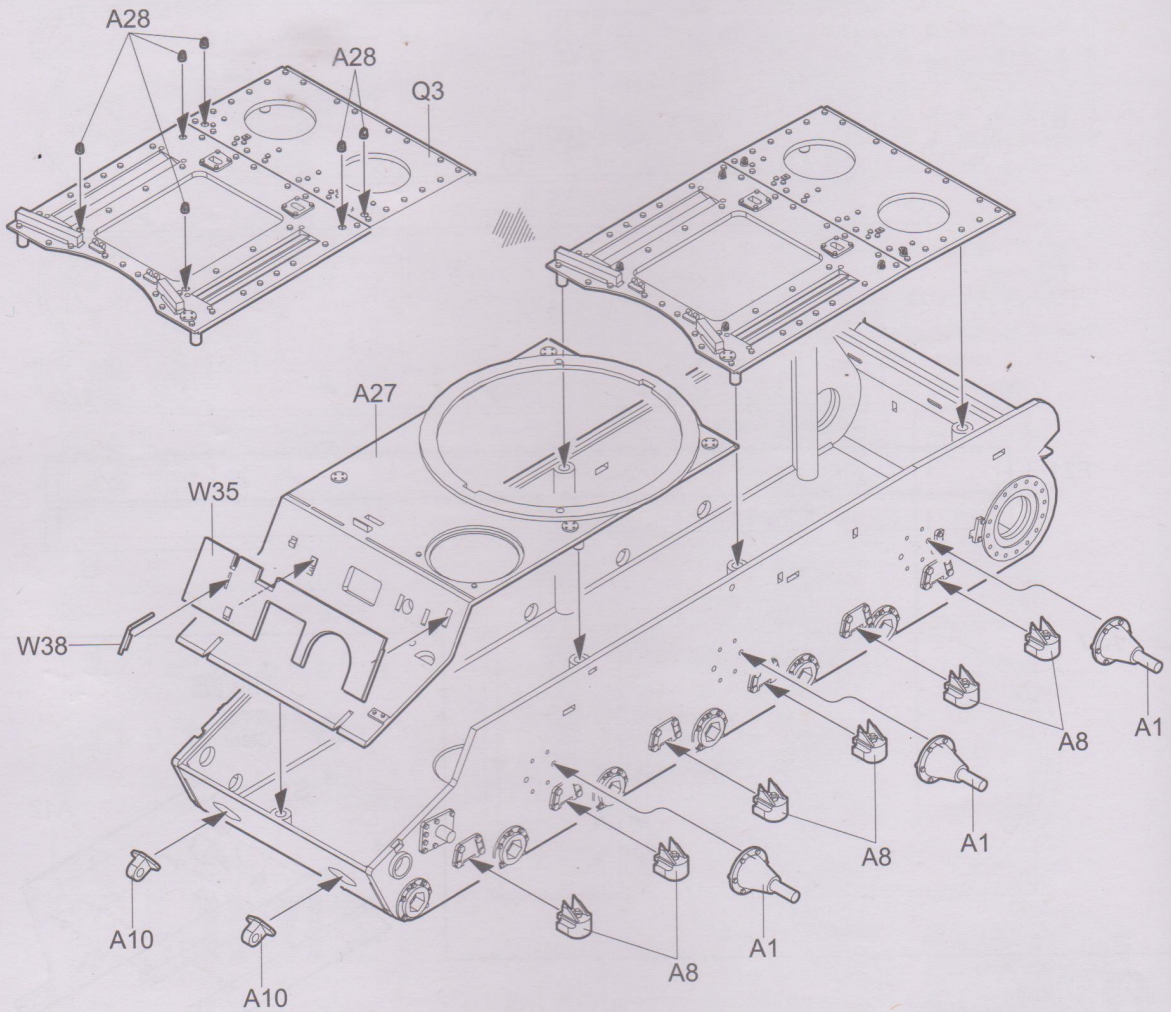
**1** 钻穿图中指示的孔位  
Make holes



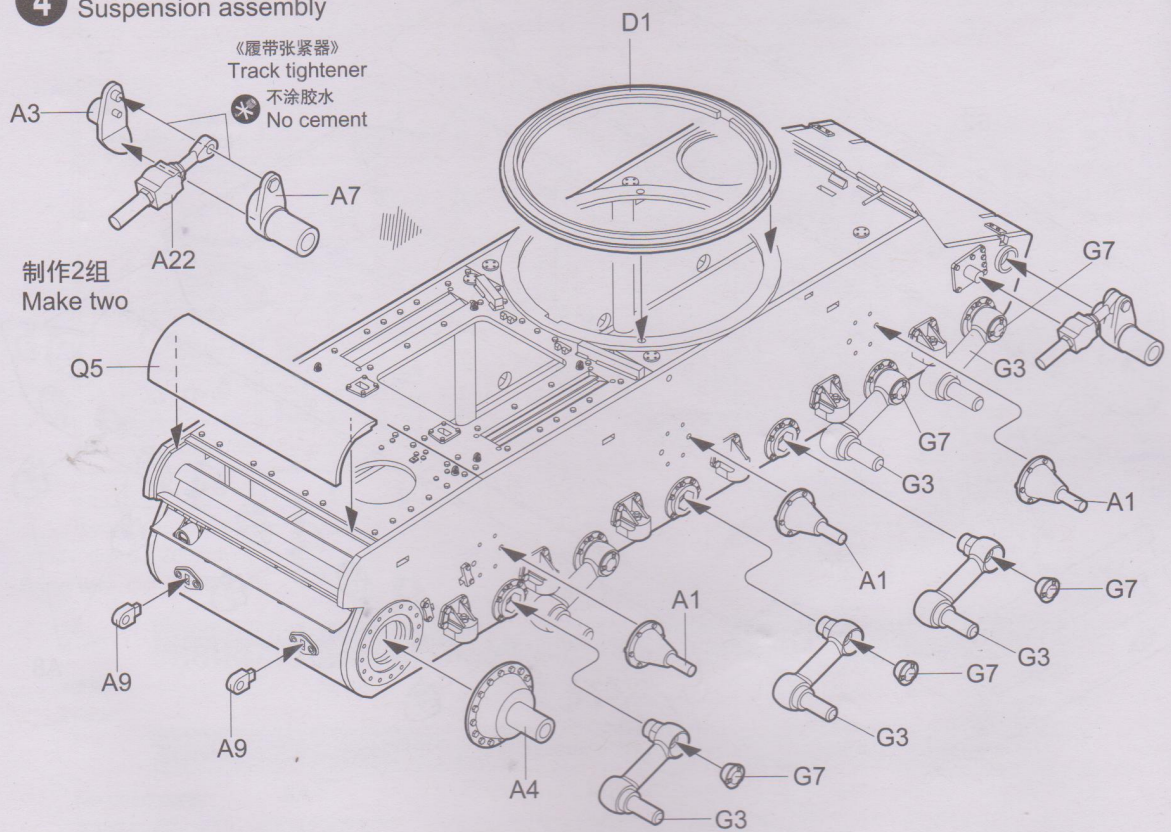
**2** 车体组装  
Hull assembly



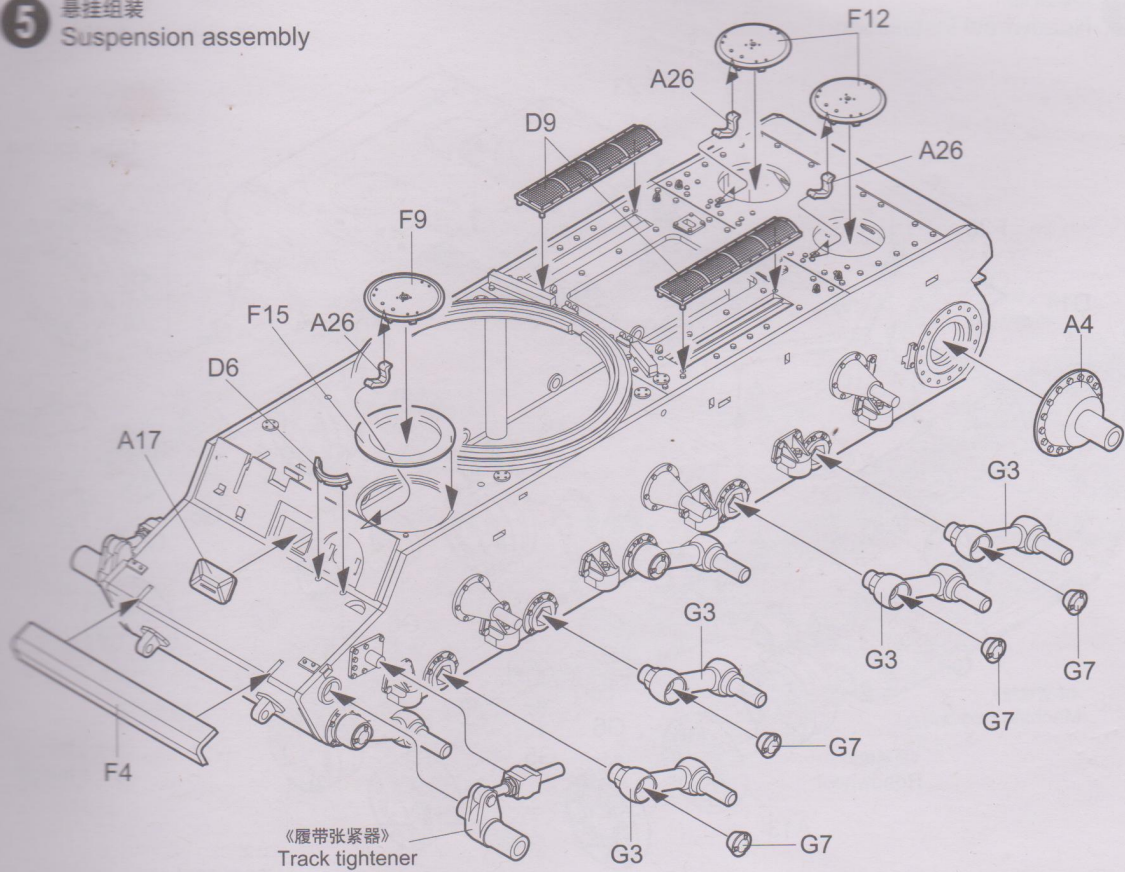
**3** 车体组装  
Hull assembly



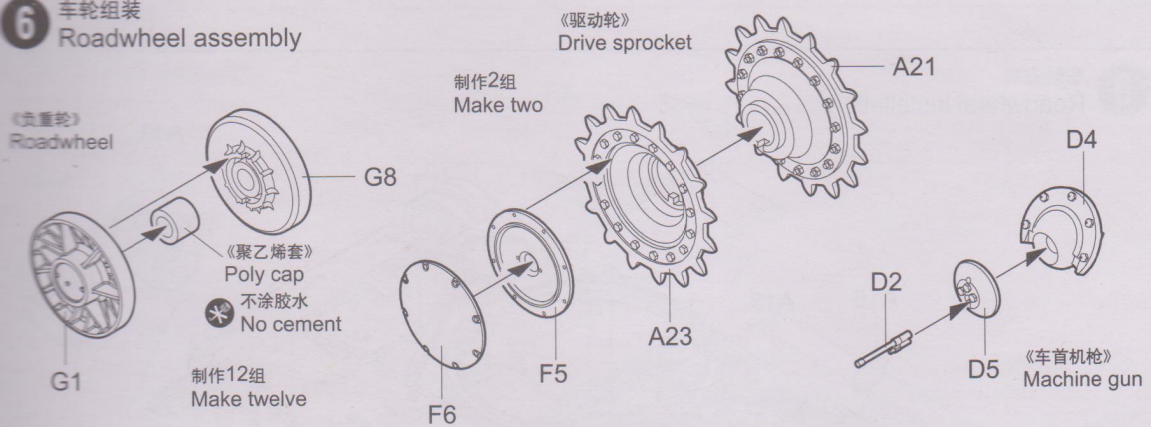
**4** 悬挂组装  
Suspension assembly



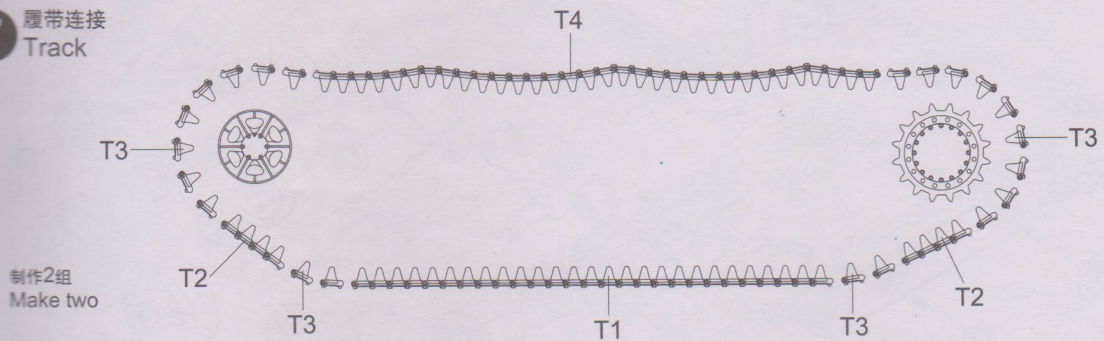
**5** 悬挂组装  
Suspension assembly



**6** 车轮组装  
Roadwheel assembly



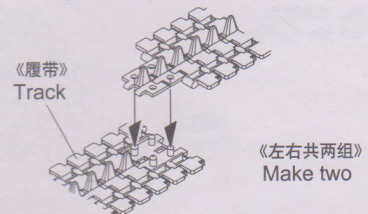
**7** 履带连接  
Track



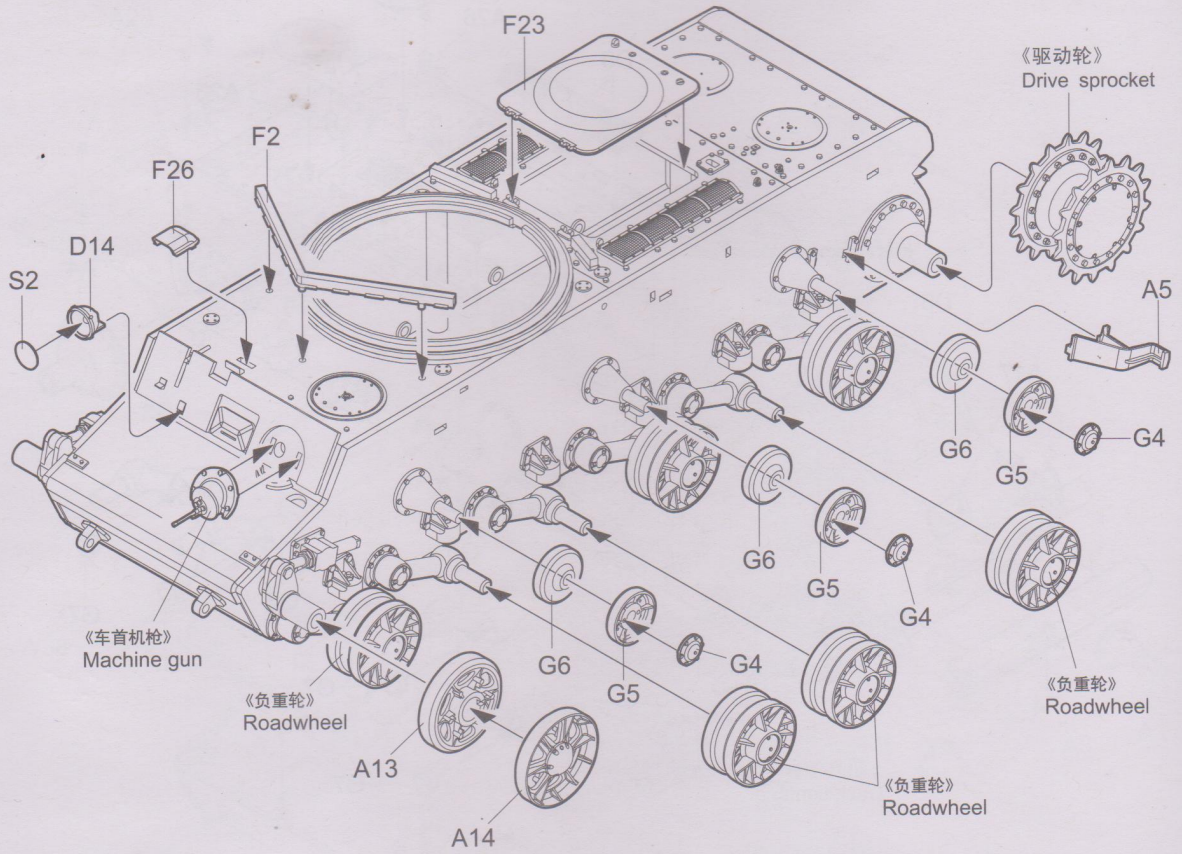
**2** 可选择  
Option

定位好履带后加热软化接头并压紧；  
如果履带断裂，用细铜丝连接固定。

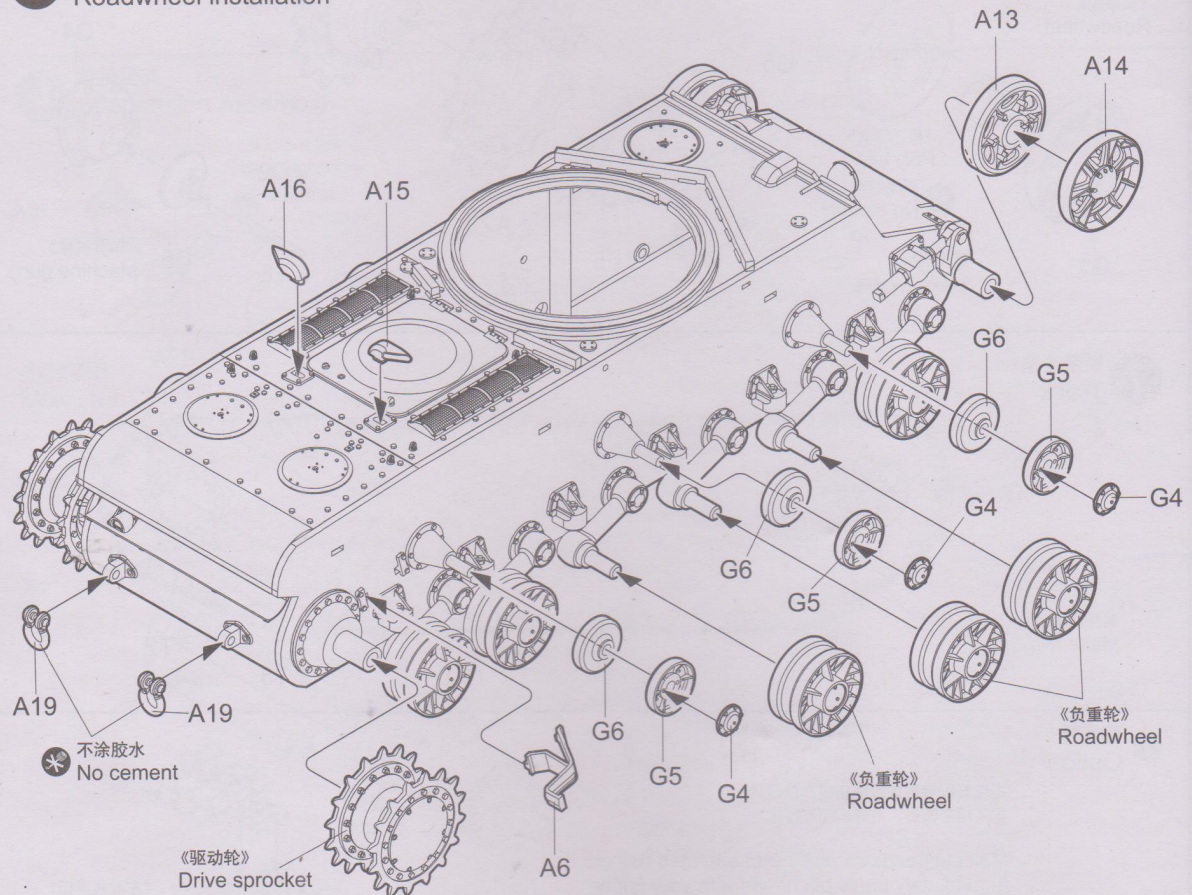
Melt pin heads carefully with a heated nail etc.  
Immediately press pin heads with your finger;  
If track is broken strengthen with staples or thread.



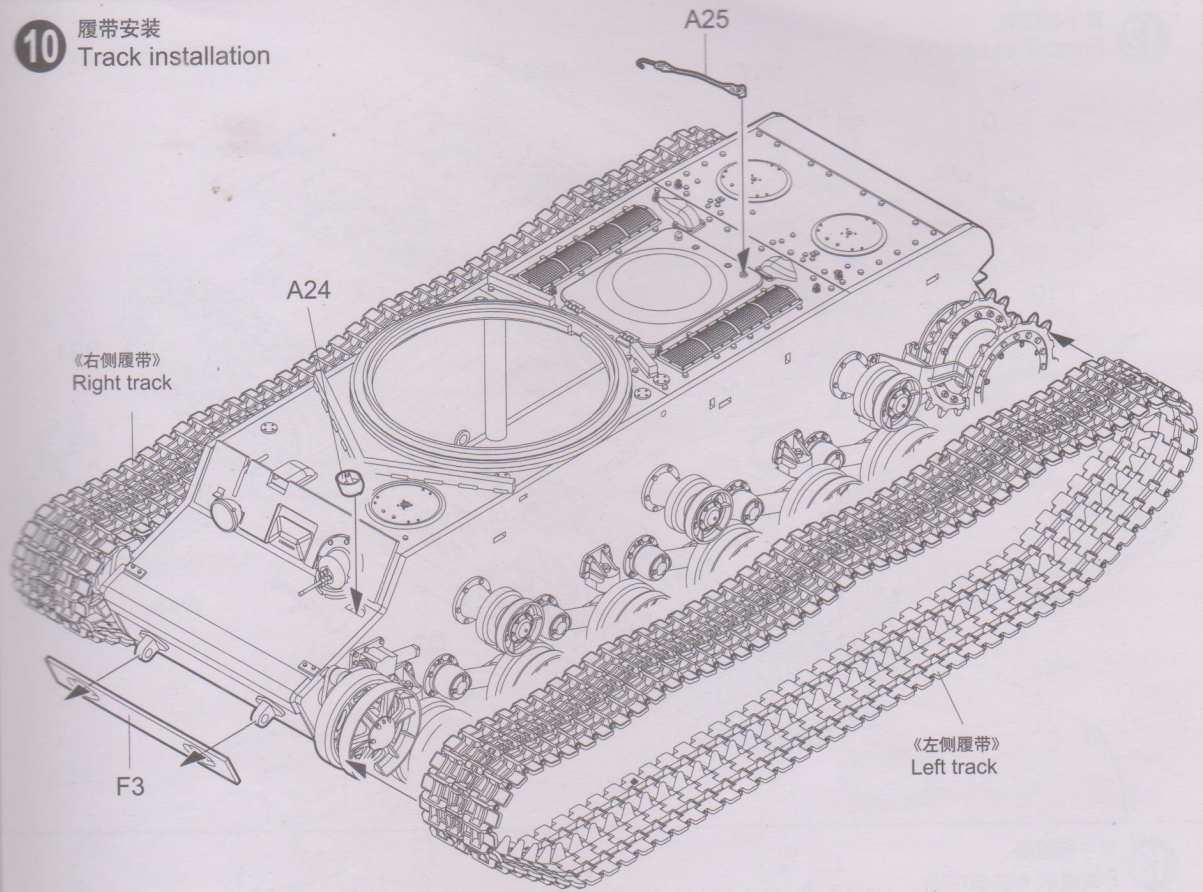
**8** 车轮安装  
Roadwheel installation



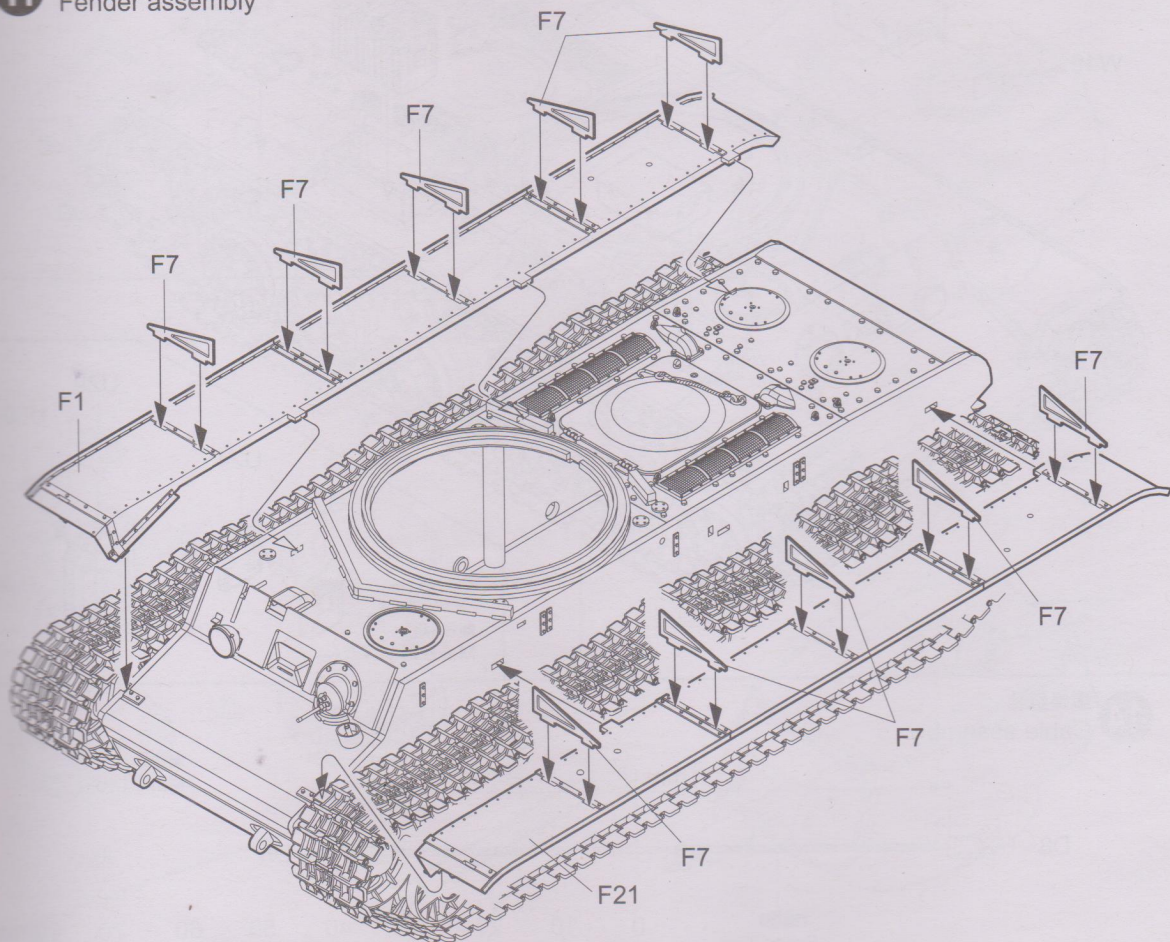
**9** 车轮安装  
Roadwheel installation



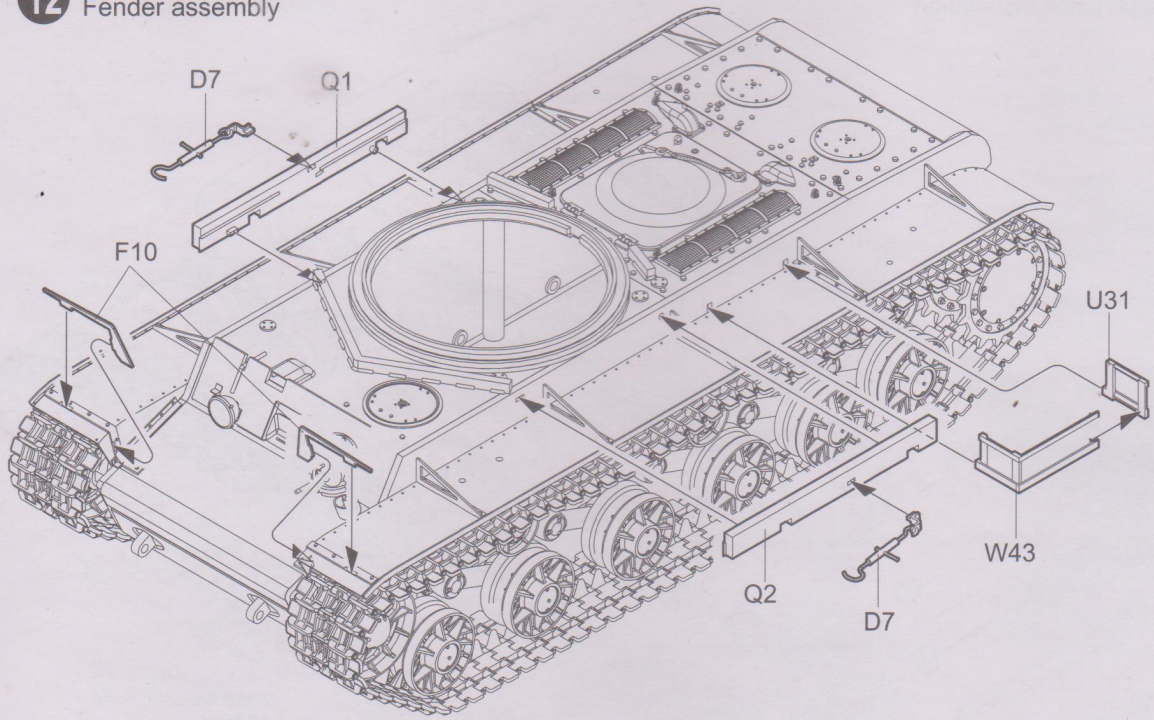
10 履带安装  
Track installation



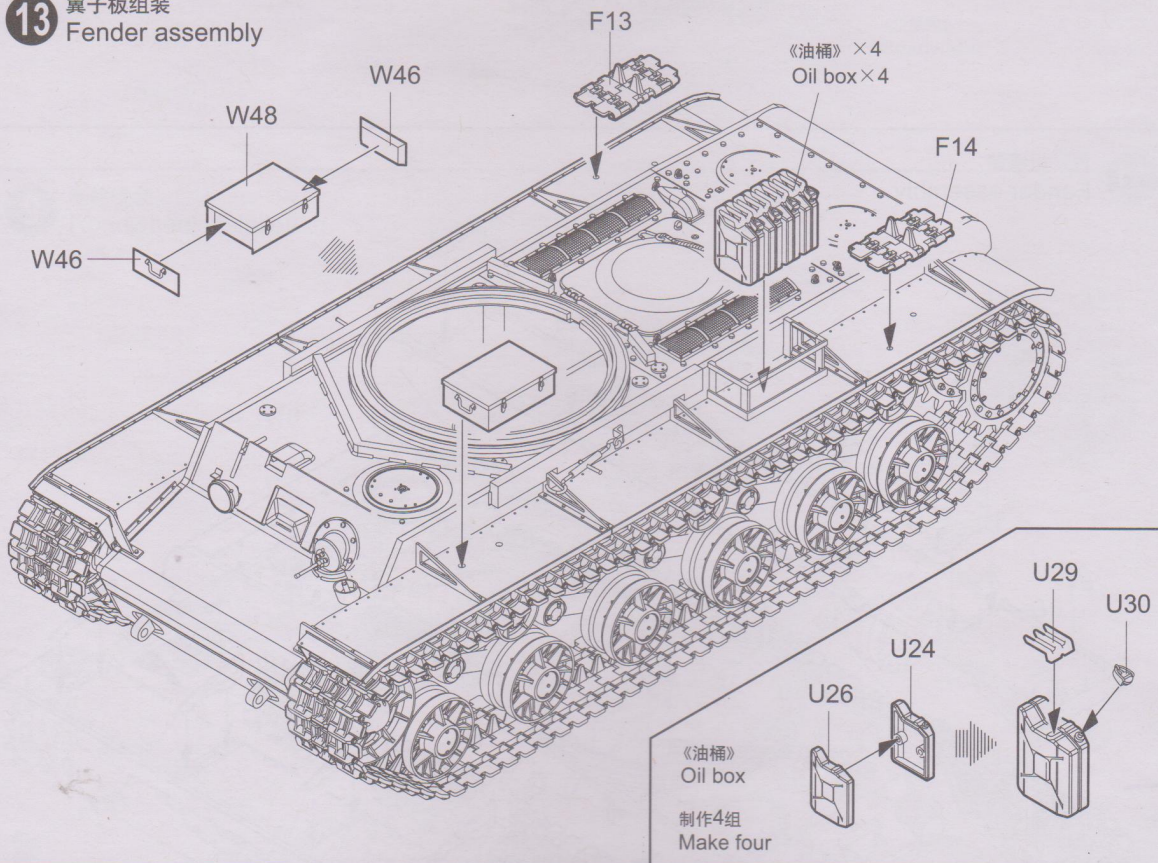
11 翼子板组装  
Fender assembly



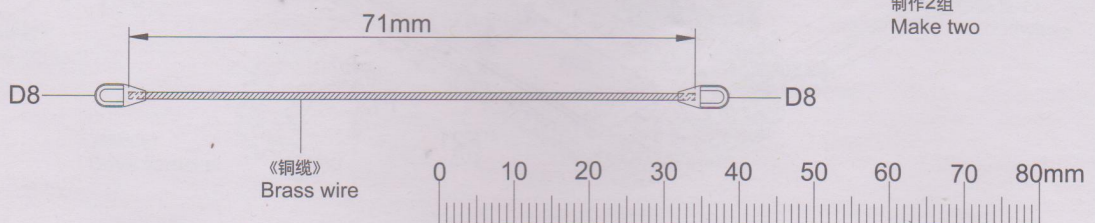
**12** 翼子板组装  
Fender assembly



**13** 翼子板组装  
Fender assembly

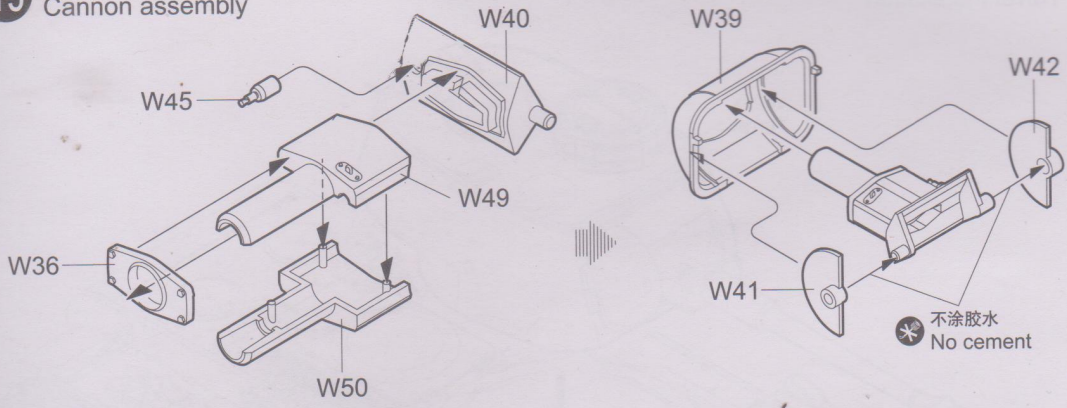


**14** 缆绳组装  
Cable assembly

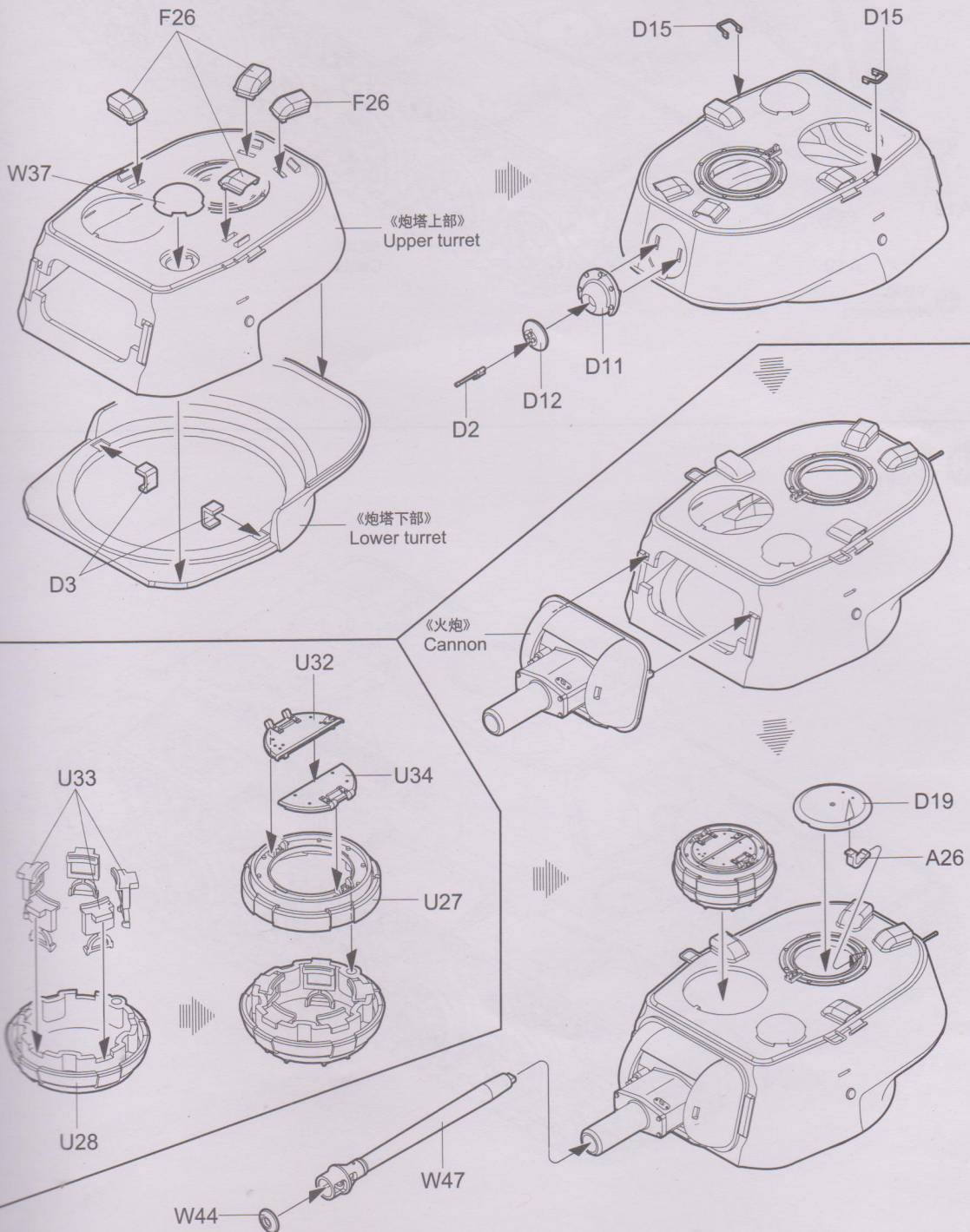




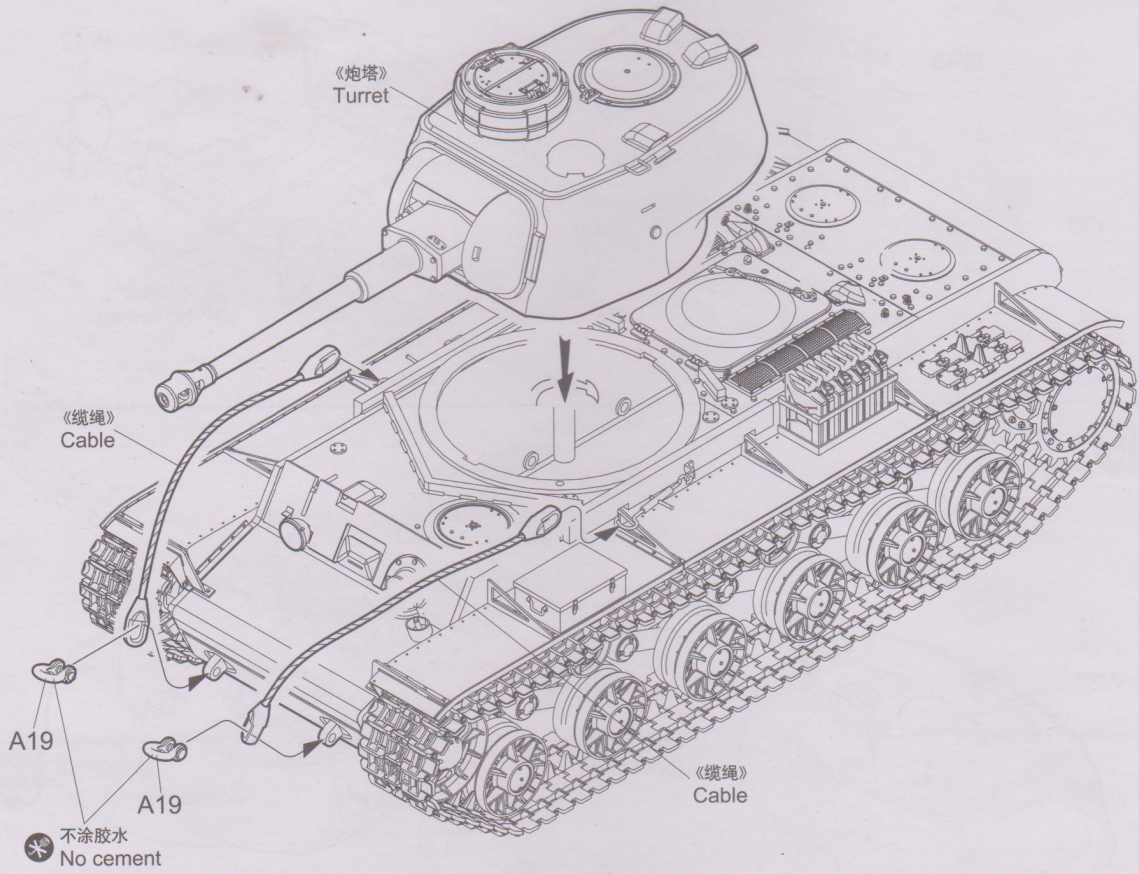
**15** 火炮组装  
 Cannon assembly



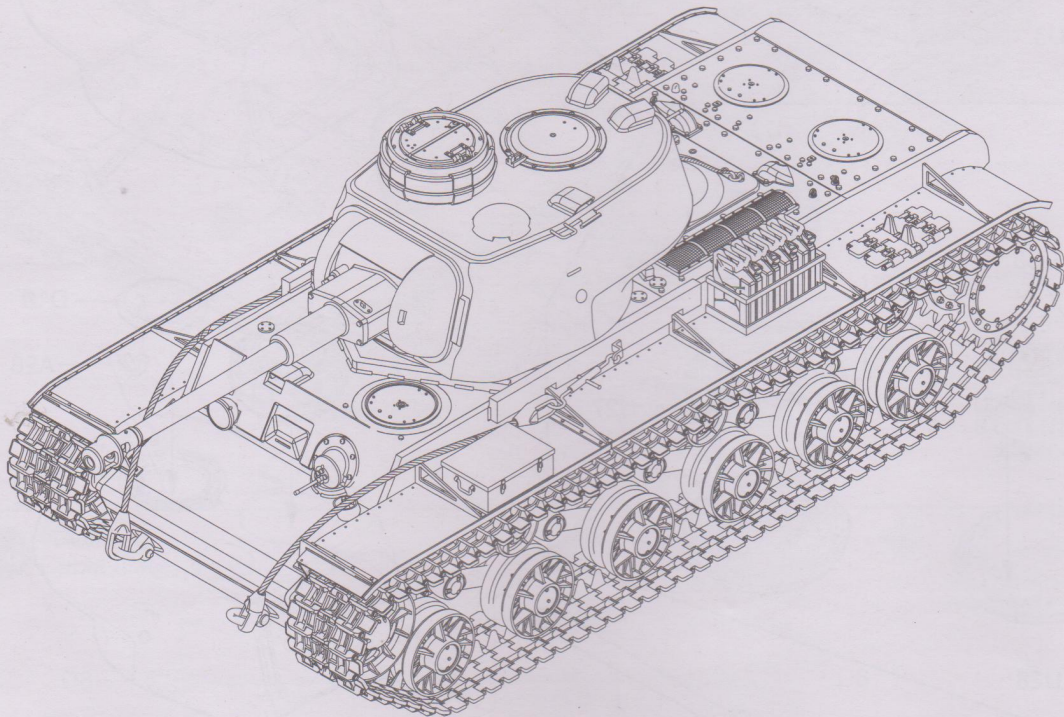
**16** 炮塔组装  
 Turret assembly



17 炮塔安装  
Turret installation



18 完成  
Finish



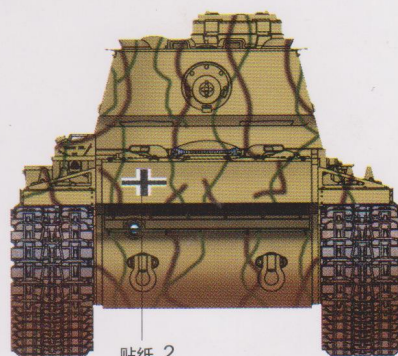
# 涂装同标贴指示 Painting & Marking guide

使用郡仕公司涂料  
Gunze Sangyo Mr. colors used



H 79 39  
暗黄色  
Sandy yellow (Dark yellow)

贴纸 1  
Decal 1



贴纸 2  
Decal 2



H 70  
战车绿  
Dark green

H 47 41  
红棕色  
Red brown

贴纸 1  
Decal 1

