

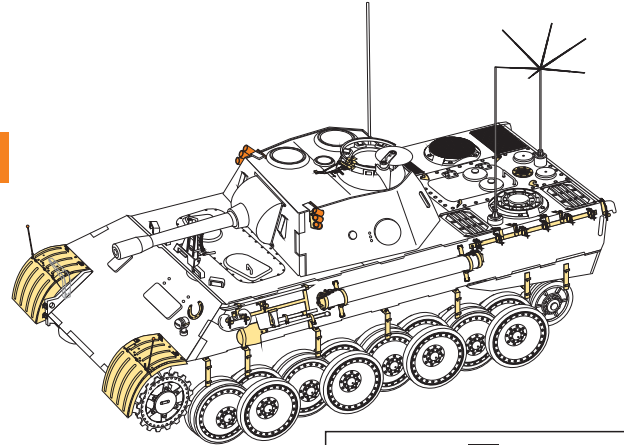
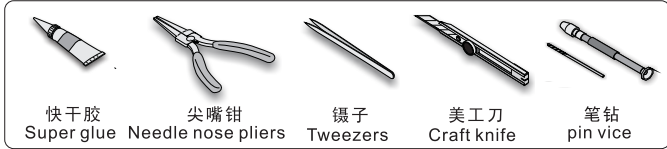
1/35 MILITARY MINIATURE VEHICLE UPGRADE SERIES PE35773

WWII German Pz.Beob.Wg.V Ausf.D Basic

二战德军黑豹D型炮兵观测坦克基本 改造件

[For DRAGON 6419 6813]

推荐使用工具 RECOMMENDED TOOLS



- 安装 install
- 折叠 bend
- A1** 改造件零件编号 PE/resin part number
- B12** 原零件编号 kit part number
- C22** 被替换的原零件编号 replaced kit part number
- 另一侧相同制作 repeat on opposite side
- 切除 remove
- 打磨 grind off
- 弧度卷曲 radial bending
- x2** 制作若干组 multiple assembly
- 选择安装 alternative
- 钻孔 drill
- 用胶棒制作 make from plastic rod

用尖端在凹槽处冲压 use penpoint to press on the dent

蚀刻片零件内侧面向上 Put the part upside down

用笔尖在凹槽处刺 Use penpoint to press on the dent

Ø0.3 H31 P1 H32 E14 D19 R29 R18 R17 R4 R29 F46 E12, E10, E11, E2, E3

G8 R30 R30 R13 R5 R31 B7 G16 R28 G11 G10 [G11] G4 金属材料 Metal part

C11 C5 [C9] J27, J26 P2 H10 F9 H22 H15 H43 H16

a b

1/35 MILITARY MINIATURE VEHICLE UPGRADE SERIES PE35773

F9, **F11**, **F8**, **x4 C**

Q2, **Q1**

B27, **H8**, **f**

B28, **d**, **F63**, **g**

H7, **D15**, **D16**, **R16**, **G12**, **x2 h**

H19, **C3**, **D18**, **x2 i**

C3, **D18**, **x6 j**

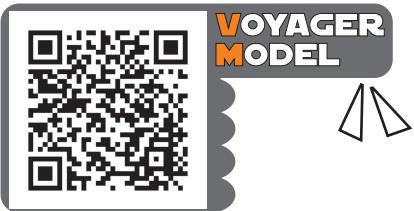
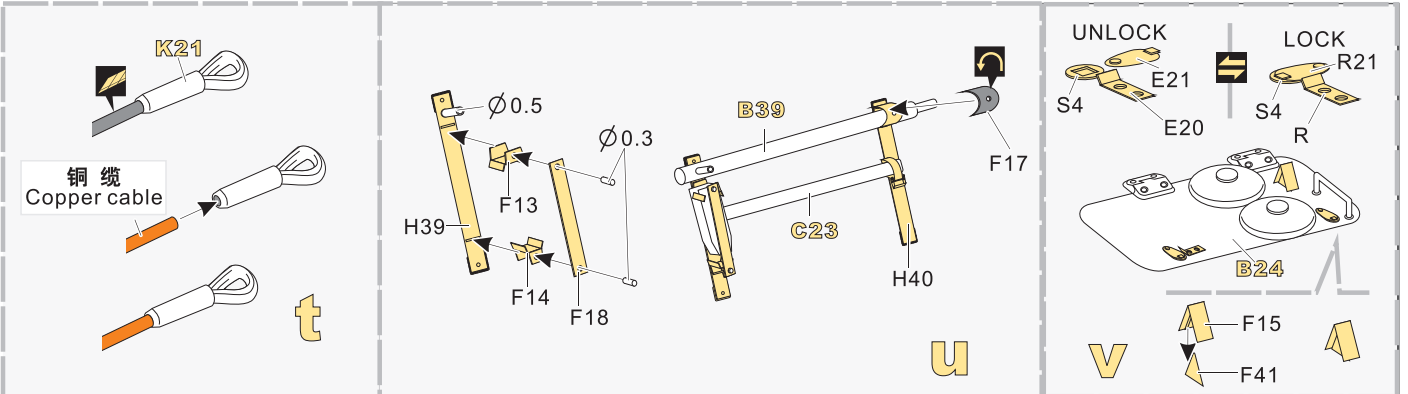
R35, **R27**, **自制 Scratch build**, **k**

D7, **D16**, **D6**, **D5**, **B29, B30**, **e**, **C15**, **D11**, **D9**, **D8**, **H20**, **H21**, **l**

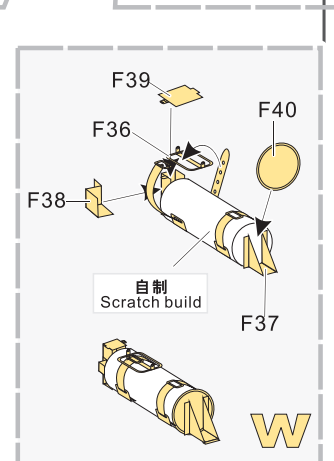
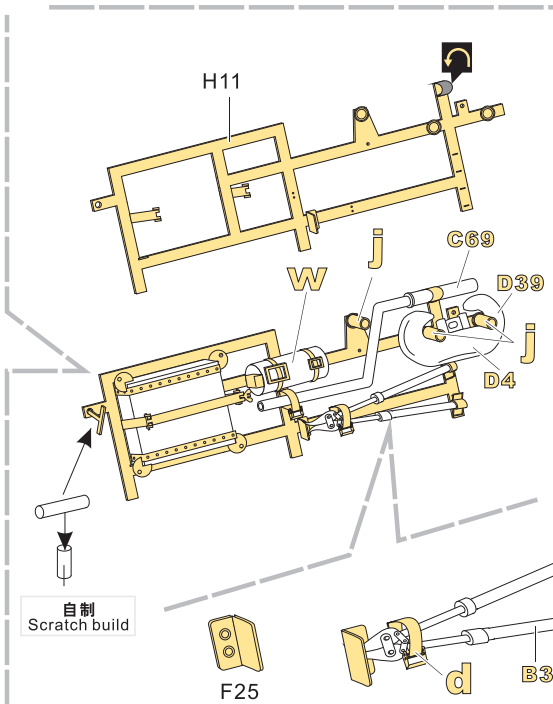
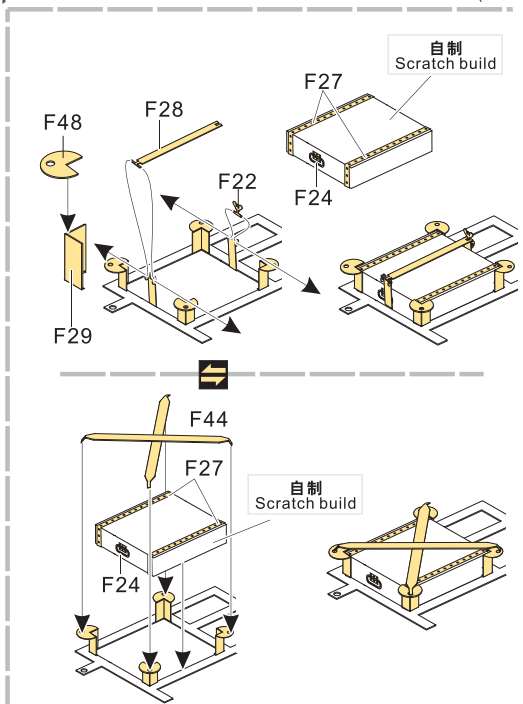
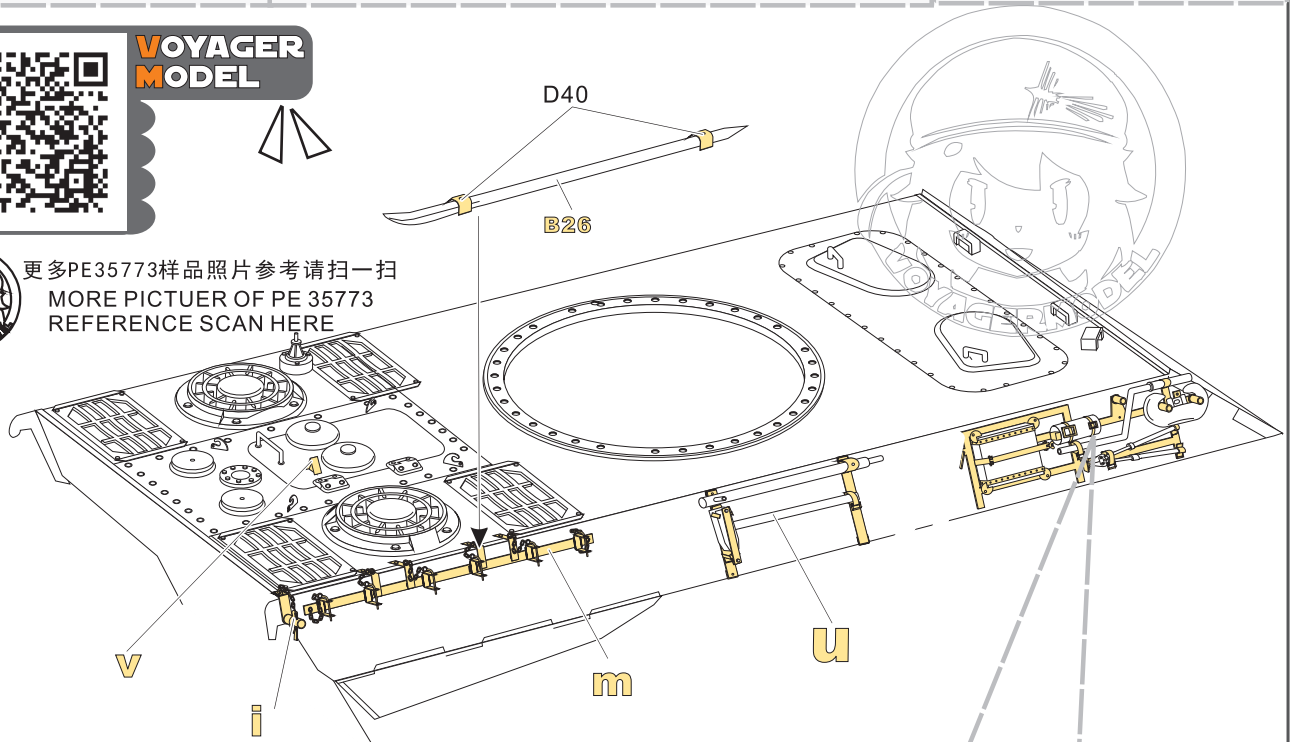
H28, **H16**, **H27**, **C6**, **m x2**

H14, **B25**, **D4**, **f**, **g**, **j**, **n**

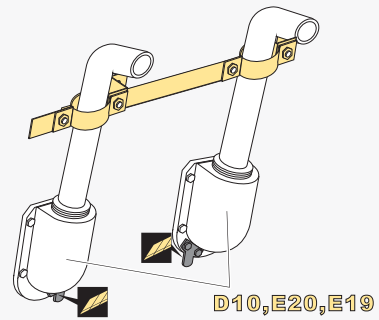
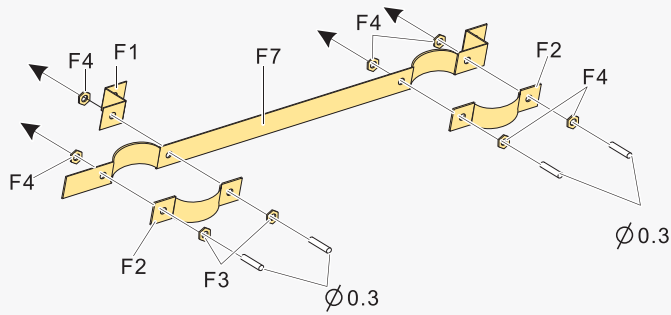
1/35 MILITARY MINIATURE VEHICLE UPGRADE SERIES PE35773



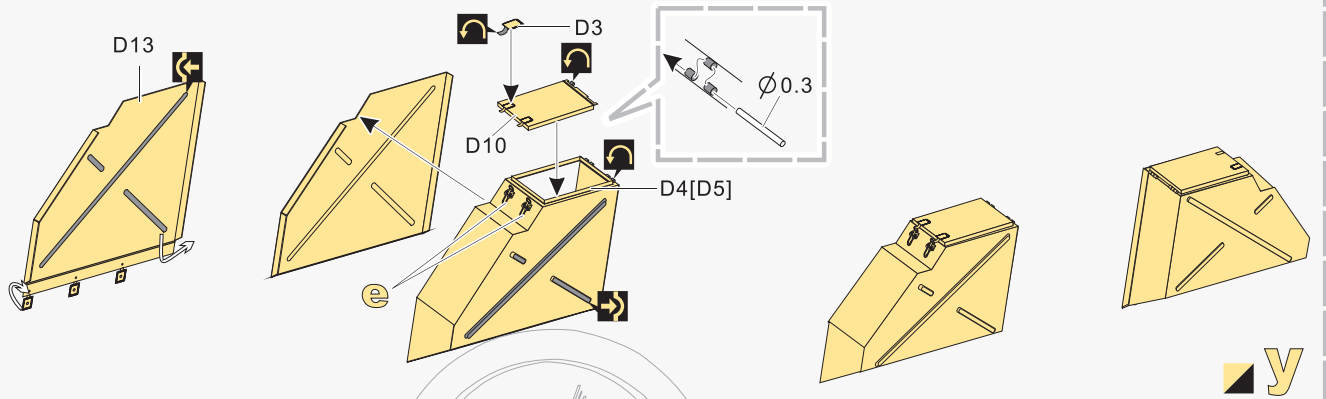
更多PE35773样品照片参考请扫一扫
MORE PICTUER OF PE 35773
REFERENCE SCAN HERE



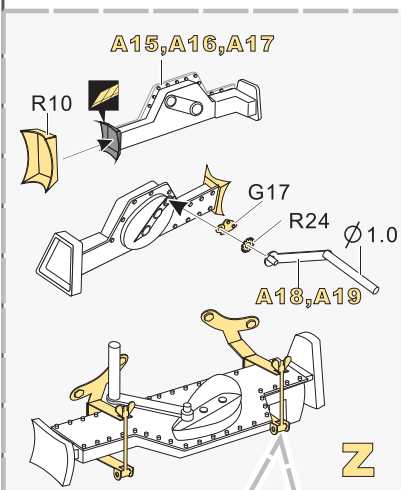
1/35 MILITARY MINIATURE VEHICLE UPGRADE SERIES PE35773



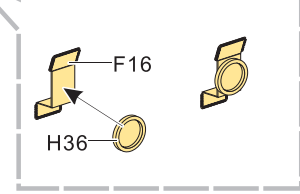
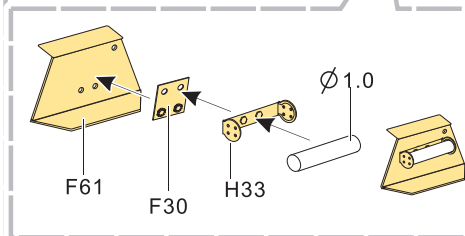
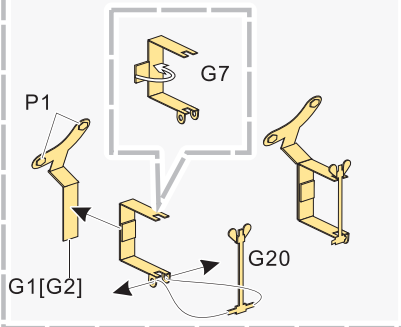
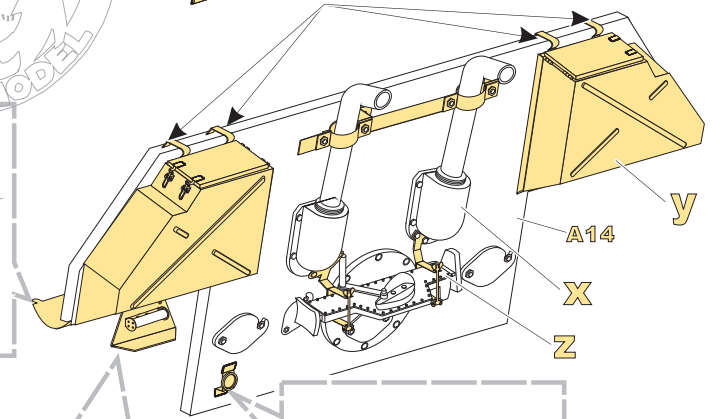
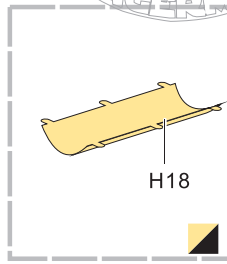
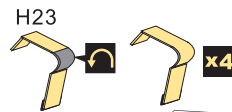
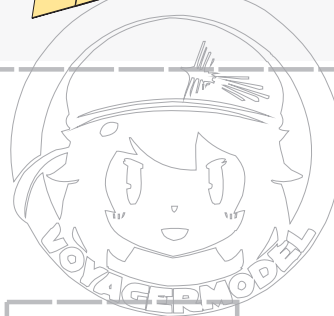
X



y



Z



VOYAGERMODEL® 无微不至 极致享受
The Best Upgrade Solution

Recommended item

PEA 070	WWII German Panther/Jagdpanther Cleaning rod bin
PEA 074	WWII German Panther A/D Schurzen in Kursk model
PEA 270	WWII German Panther A/G/F, JagdPanzer Demaged Road wheels

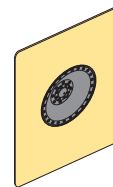
漏喷板使用说明:
Instruction:



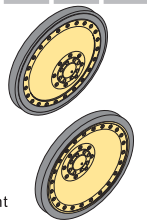
未上色零件
Unpainted part



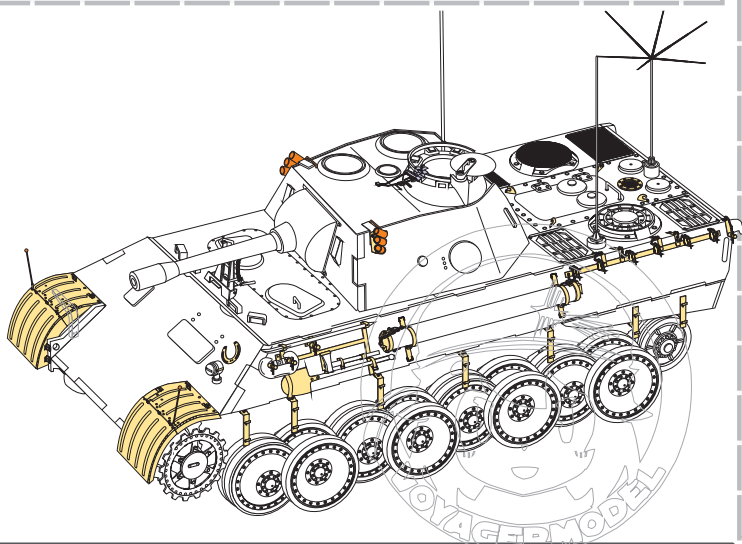
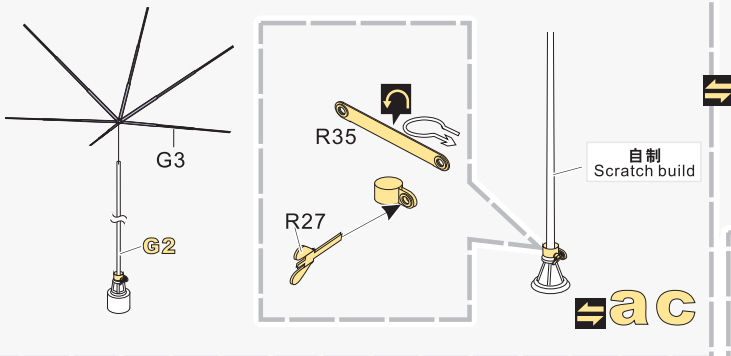
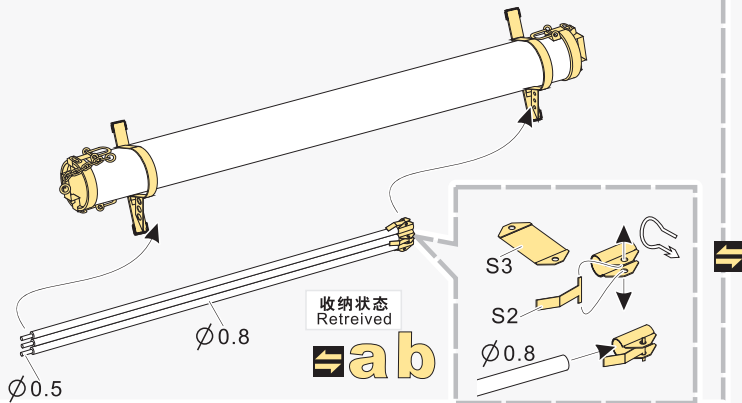
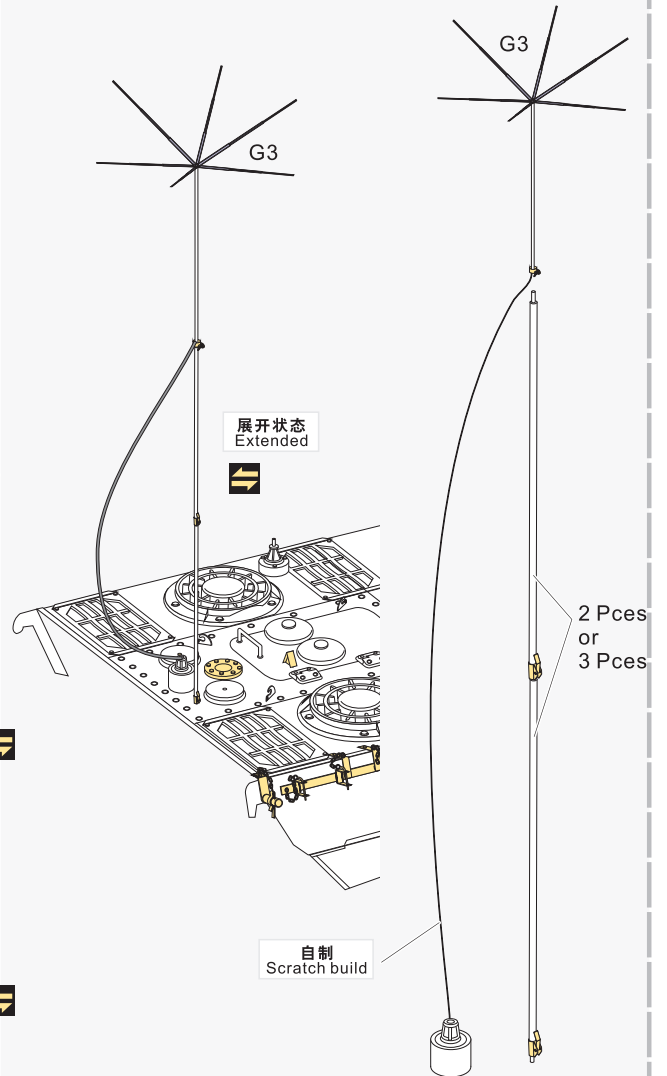
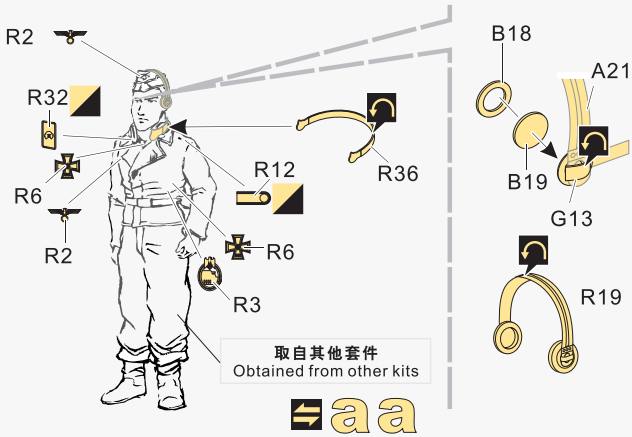
喷橡胶黑
spray tyre black



使用遮喷板为轮毂
喷上所需要的颜色
use template to paint
required hub colour



1/35 MILITARY MINIATURE VEHICLE UPGRADE SERIES PE35773



S.F.14.Z case

