

Falcon

Scale Models

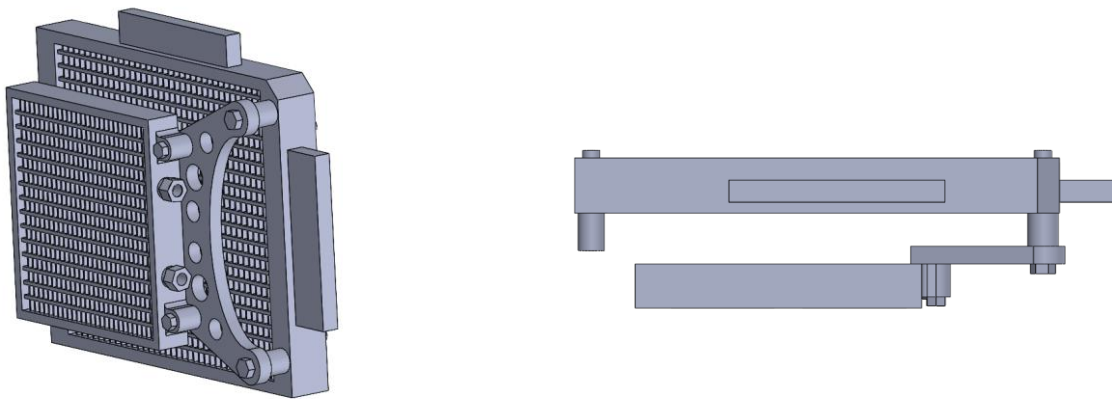


Tyrrell 6 wheeler - radiators set (Tamiya 20053, 20058)

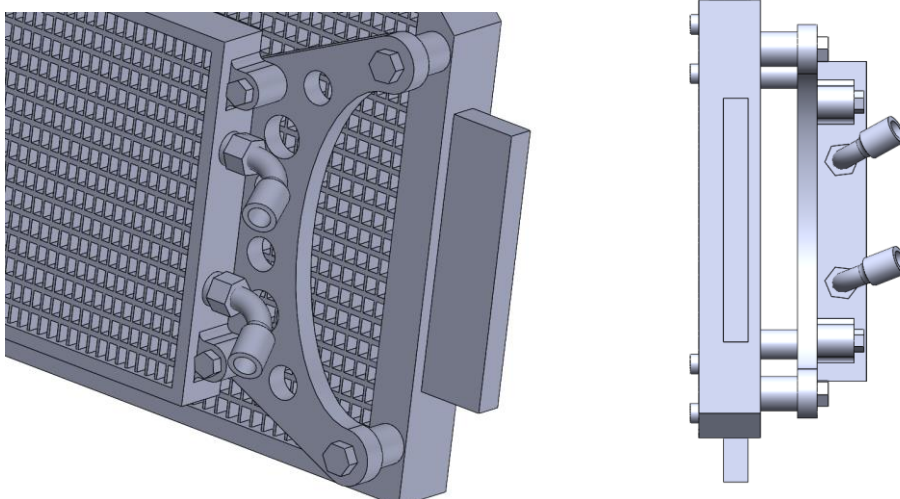
Catalog no.: FSM C4

Installation guide

1. Glue inner and outer radiators as show below

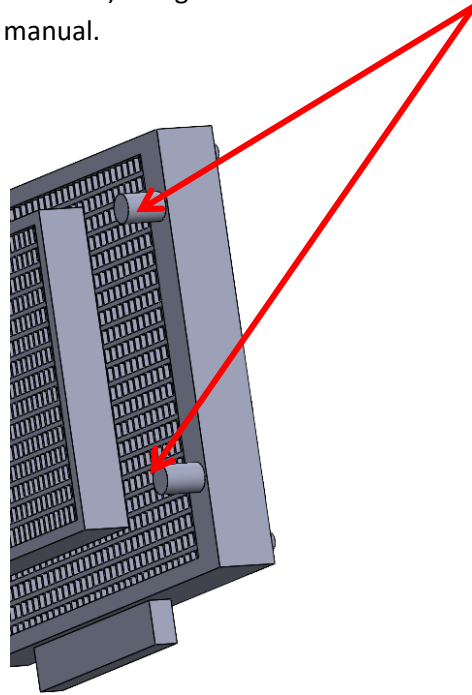


2. Glue angular connectors to the inner radiator. Adjust their position slightly below horizontal line in the direction of the floor.

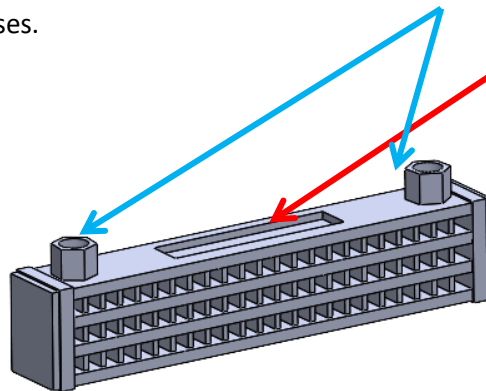


3. Use black thin wire to simulate cooling hoses and glue it to the angular connectors.

4. Use thick black tube (one from the base kit) and glue it to the **outer radiator pins**. Length should be taken from the base kit manual.



5. Cut off the radiator from the C28 leaving the rectangular connector. Use **rectangular connector** from the base part to glue the radiator. Use **black thin wire** to simulate cooling hoses.



6. Install rear radiator which replaces C33 as desired according to the manual.

