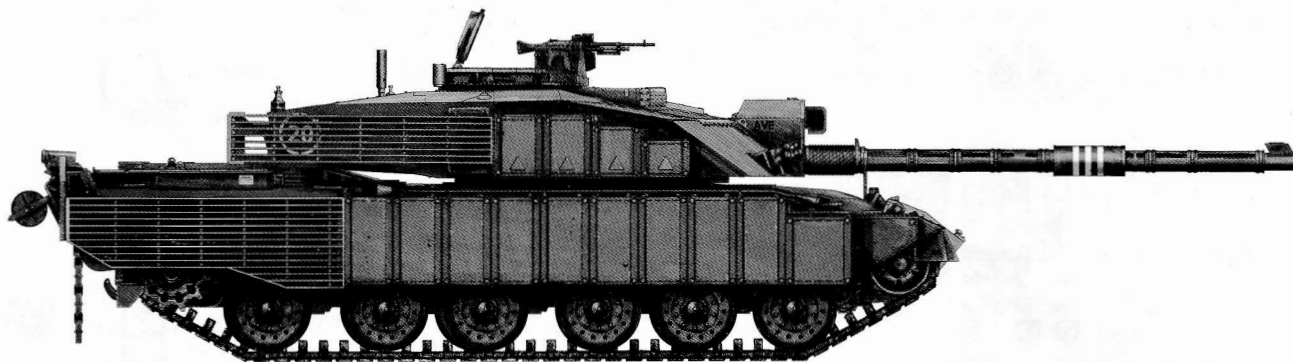


# British Challenger 2 Enhanced Armour

英国挑战者2型主战坦克带栅栏装甲



## READ BEFORE ASSEMBLY:

- Study and understand these instructions thoroughly before beginning assembly
- When needed, remove photo-etch parts carefully using a modeling knife or photo etch sprue cutter, being careful not to damage or lose small parts.
- Take extra care in handling photo etch parts in order to avoid injury
- Apply instant cement sparingly to photo etch parts where instructed
- Tools recommended(not included in kit):Plastic and instant cements, sprue cutters,long nose pliers,modeling knife, small files, tweezers, pin vise & scissors. Soft cloth and sandpaper will also assist in construction
- Glue and paint are not included in the kit. Use plastic cement and hobby paints only. Color guide for purchasing paint is included in the kit.

## 装配之前仔细阅读

- 小心用模型锉刀锉平所有零件表面的注射浇口。
- 小心用刀片切下蚀刻片零件，不要遗失小零件。
- 用强力快干胶水粘合蚀刻片零件和金属轴。过量快干胶水使用可能导致可动零件会粘住，小心涂胶。
- 取蚀刻片时应特别注意安全，防止利边划伤手指。
- 某些零件表面需贴上水贴纸，请选择在装配的同时进行。
- 推荐模型工具(自备)：胶水，水口剪刀，长咀钳，刀片，锉刀，镊子，钳，钻，剪刀，瞬间快干胶。
- 软布同砂纸同时也应该是必备工具。
- 请使用塑料胶水和油漆，模型内不含。



配重  
Weight



使用强力胶  
Cyanoacrylate glue



钻孔  
Make hole



切除  
Cut / Remove



贴纸  
Decal



锉平  
File / Sand



选择  
Option



不涂胶水  
No cement



弯曲  
Bend

## 水贴纸的使用:

- 1.从水贴纸上剪下印花;
- 2.将印花放入温水中浸10秒, 然后放在干净布上。
- 3.拿着印花纸板将印花移到模型上;
- 4.手指蘸水将印花移到适当的位置;
- 5.用软布轻压印花直至水干, 气泡消失

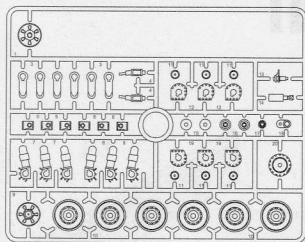
## DECAL APPLICATION

- 1.Cut decals from sheet as needed
- 2.Dip the decal in warm water for about 10 seconds and then place on soft clean cloth.
- 3.Hold the decal backing sheet edge and gently slide the decal onto the model in its proper position.

- 4.While still wet,decal can be adjusted for better fit on model by dampening it gently with your finger.
- 5.When placed in the proper position,gently press decal down with a soft cloth until excess water and air bubbles are gone.
- 6.Allow decal to dry completely before handling model

部品图  
Parts

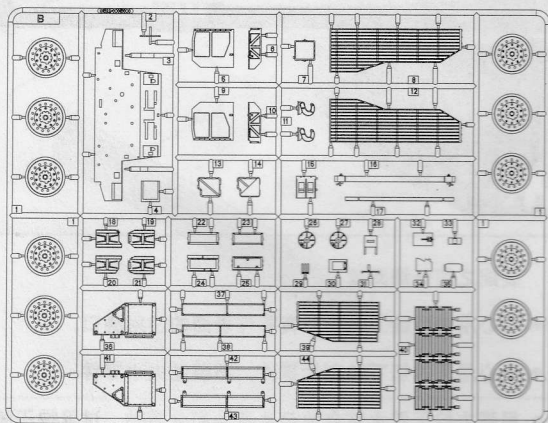
A×2



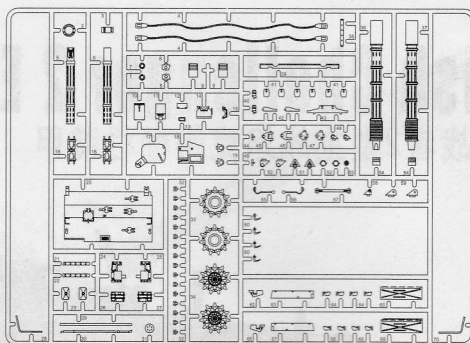
食品箱  
MRE ration pack



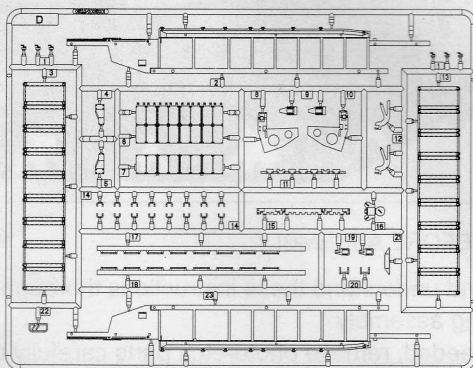
B



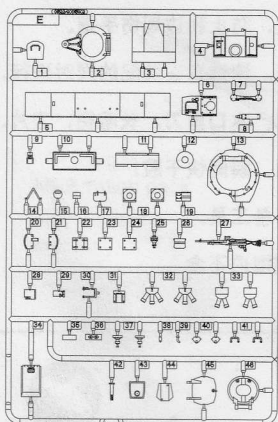
C



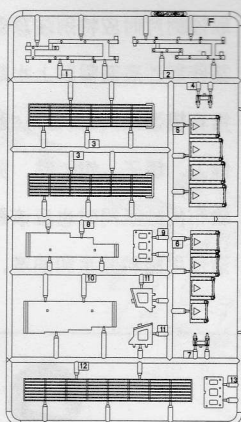
D



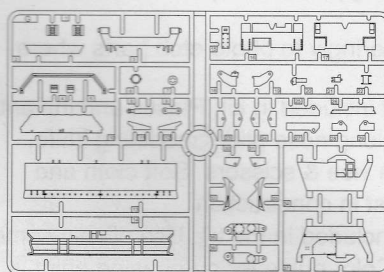
E



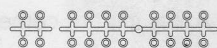
F



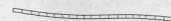
G



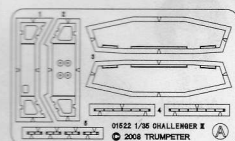
《聚乙烯套》  
Poly cap



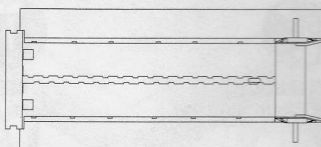
《铜缆》 $\varnothing 0.8 \times 250\text{mm}$   
Brass wire



《蚀刻片》  
Photo Etched part (PE)



《车底》  
Lower hull

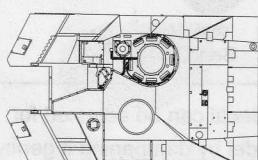


《水贴纸》  
Decal

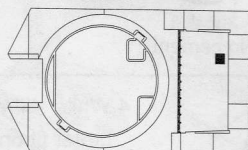


01522 1/35 Challenger II Enhanced Armour

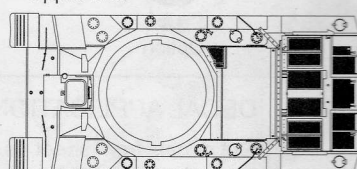
《炮塔》  
Turret



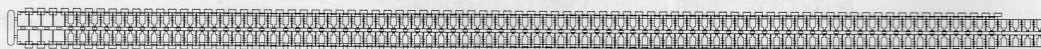
《炮塔底座》  
Lower turret



《车面》  
Upper hull

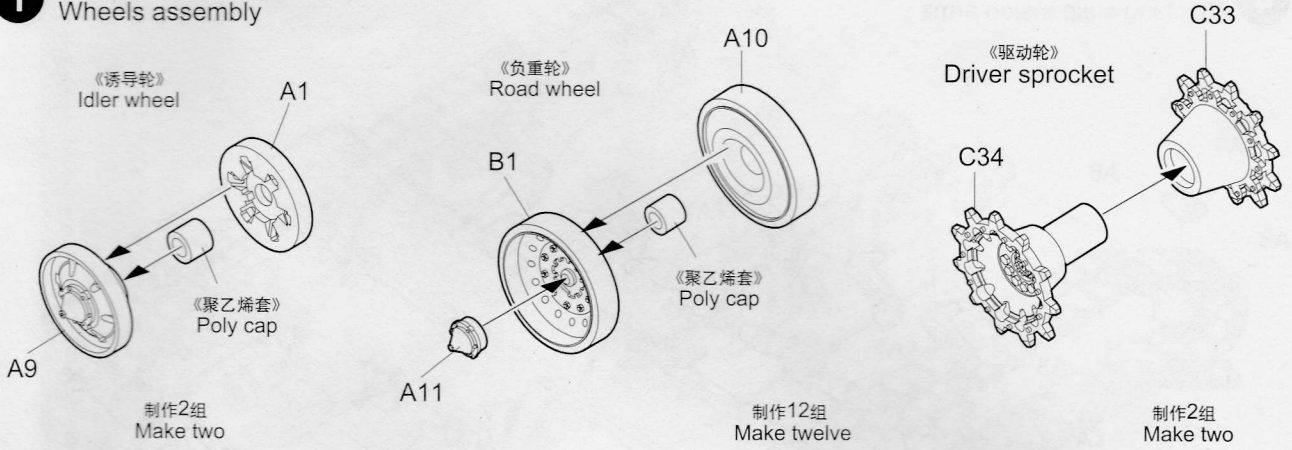


《履带》×2  
Tracks



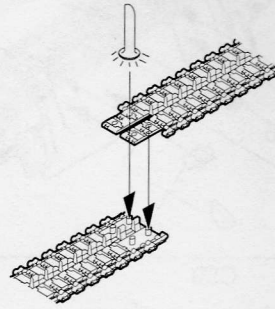
不用部品  
Unused Parts: C4、C10、C11、C12、C39、C41、G4、G7

# 1 车轮组装 Wheels assembly

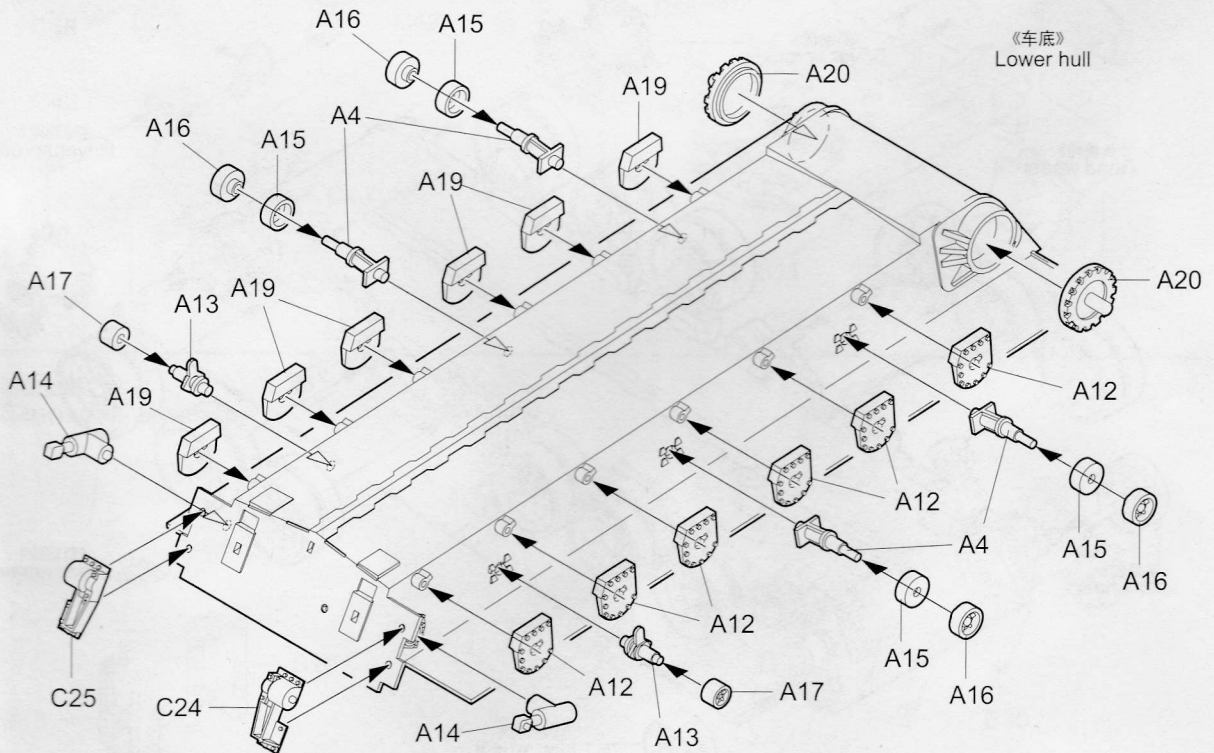


# 2 履带联接 Track construction

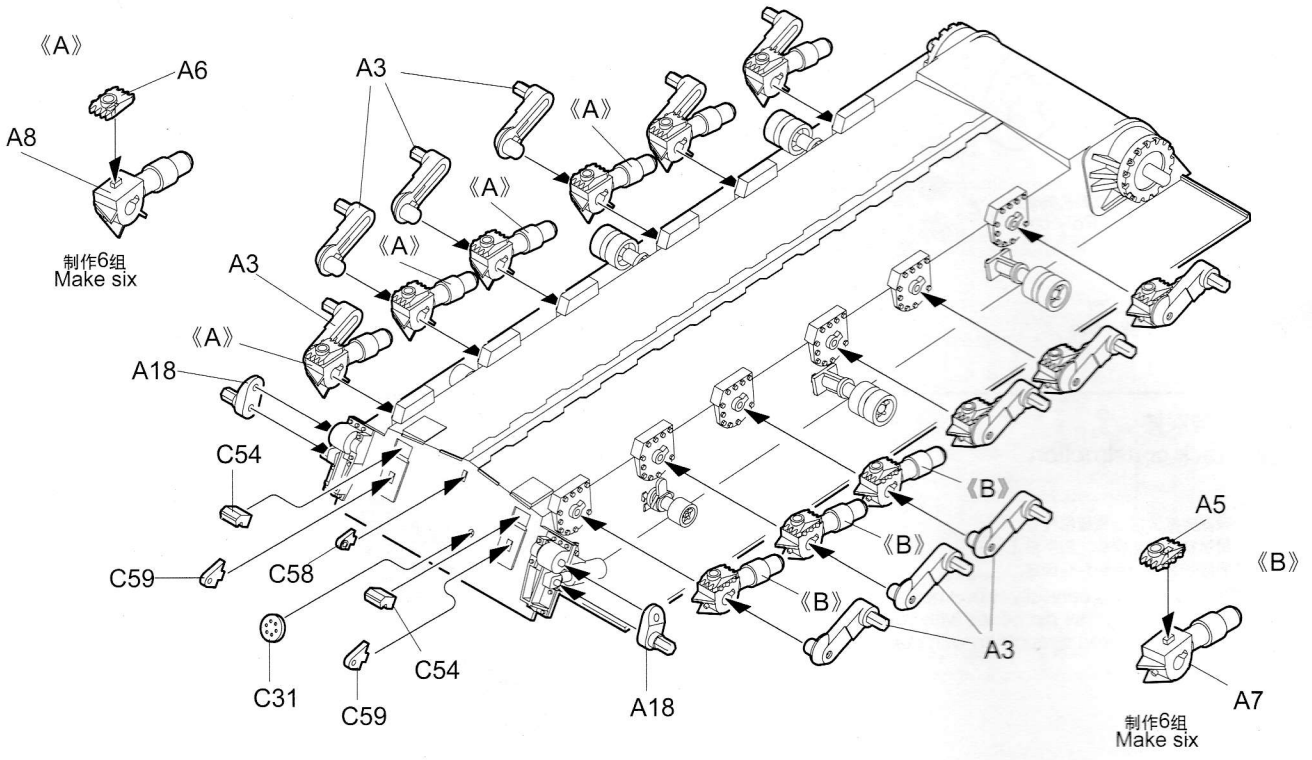
- \*根据实际要求选择履带尺寸。  
用热铁钉软化接头，用手指压下接头。
- \*若履带断裂，用细丝线固定。
- \*Melt pin heads carefully with a heated nail etc.  
Immediately press pin heads with your finger.
- \*If track is broken strengthen with staples or thread.



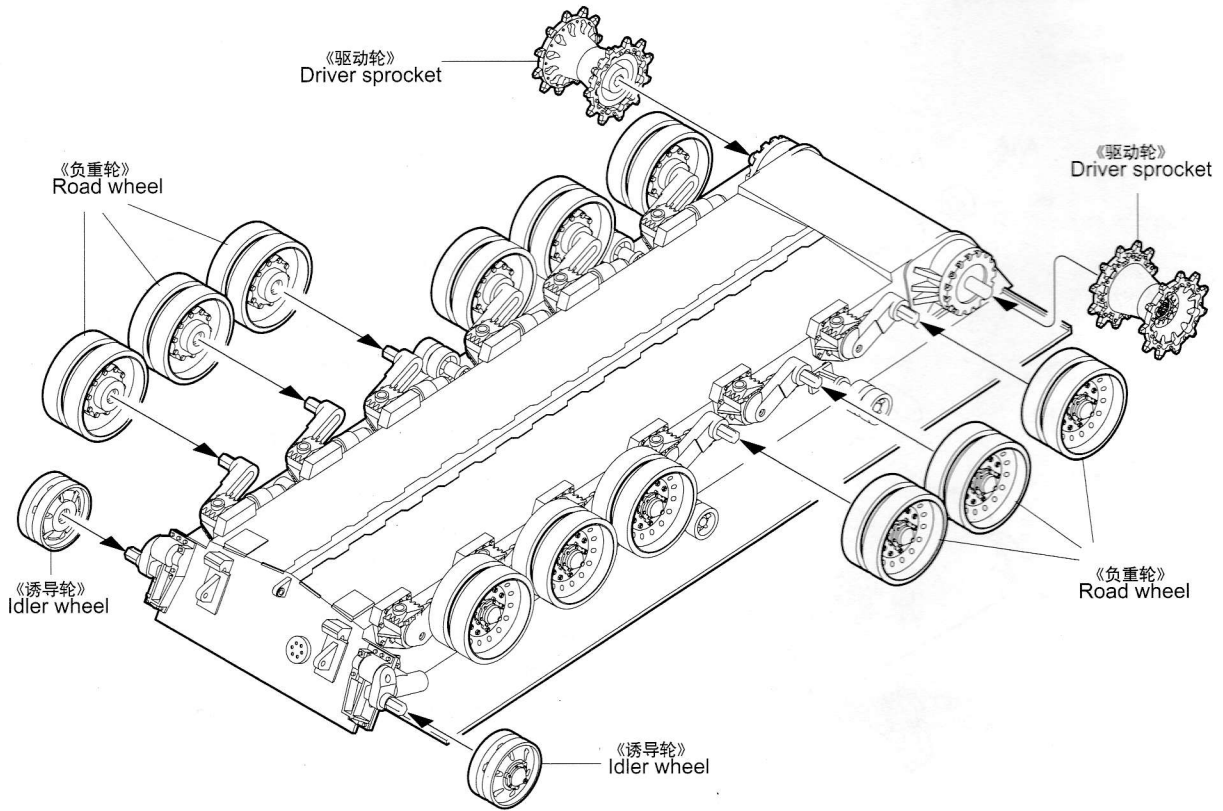
# 3 车底组装 Lower hull assembly



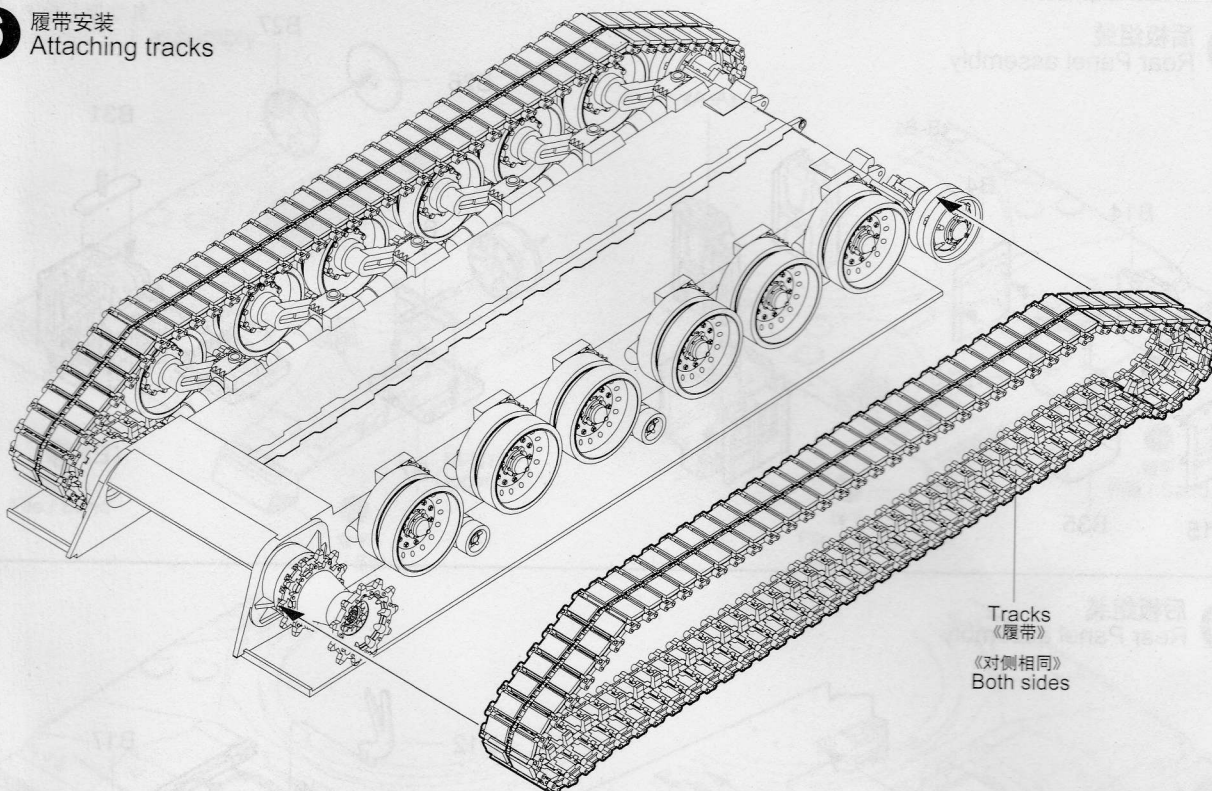
**4** 悬臂安装  
Attaching suspension arms



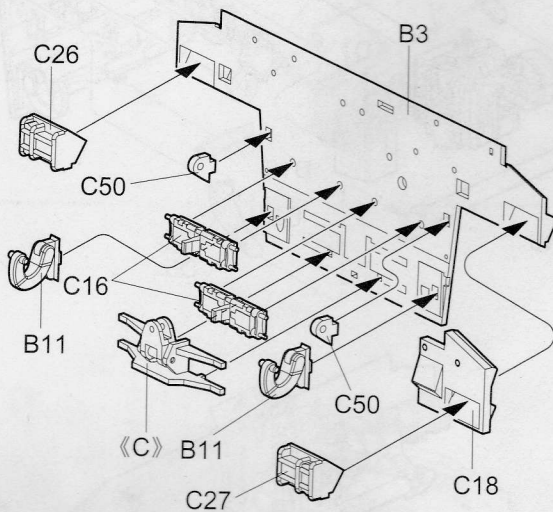
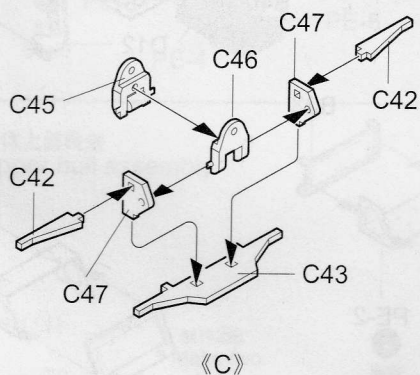
**5** 车轮安装  
Attaching wheels



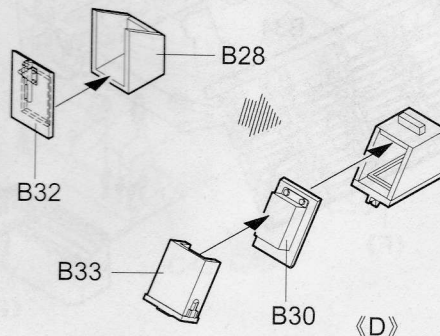
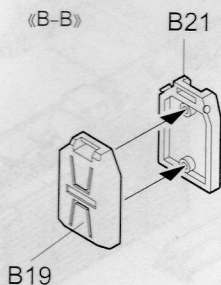
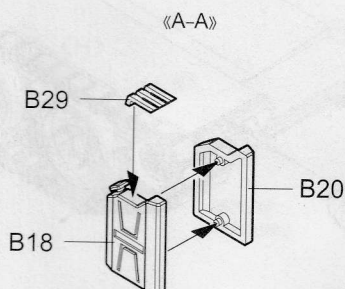
**6** 履带安装  
Attaching tracks



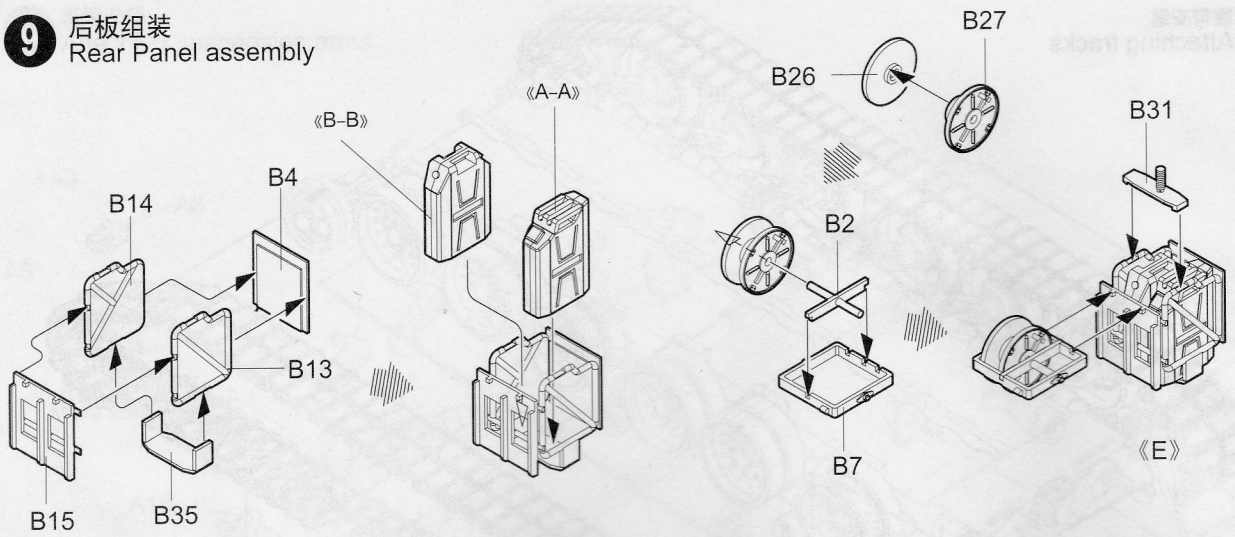
**7** 后板组装  
Rear Panel assembly



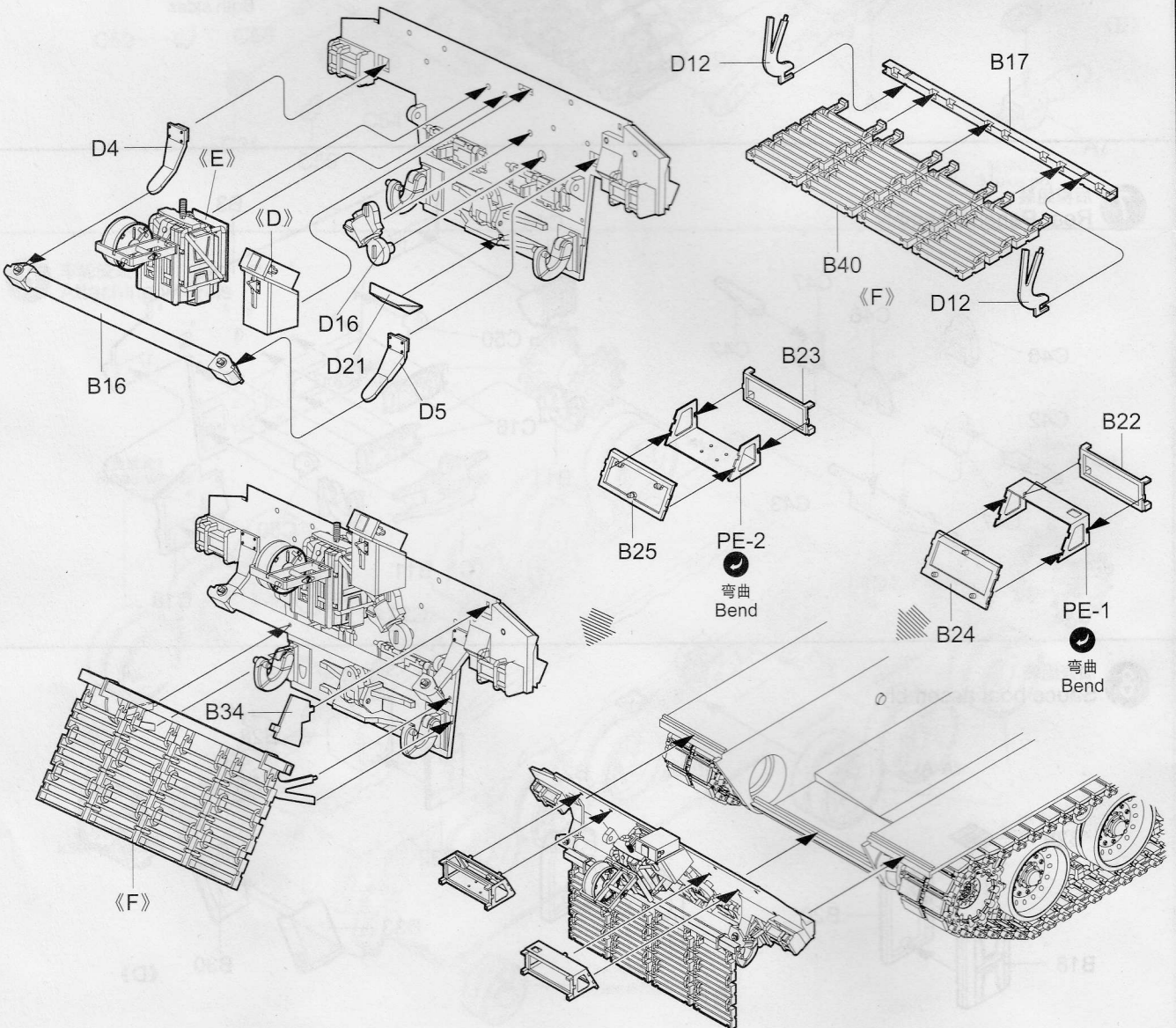
**8** 油壶组装  
Sauce boat assembly



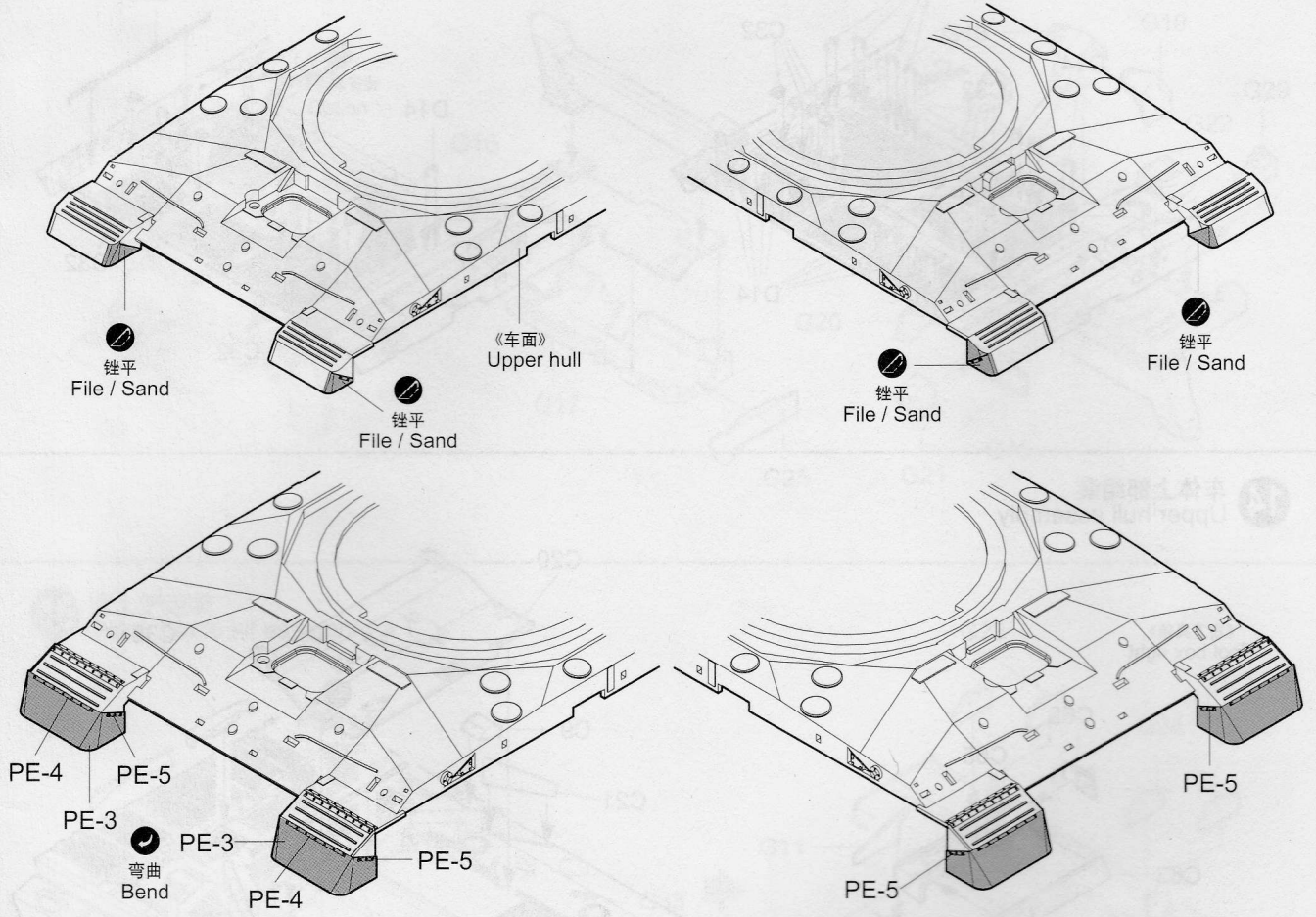
**9** 后板组装  
Rear Panel assembly



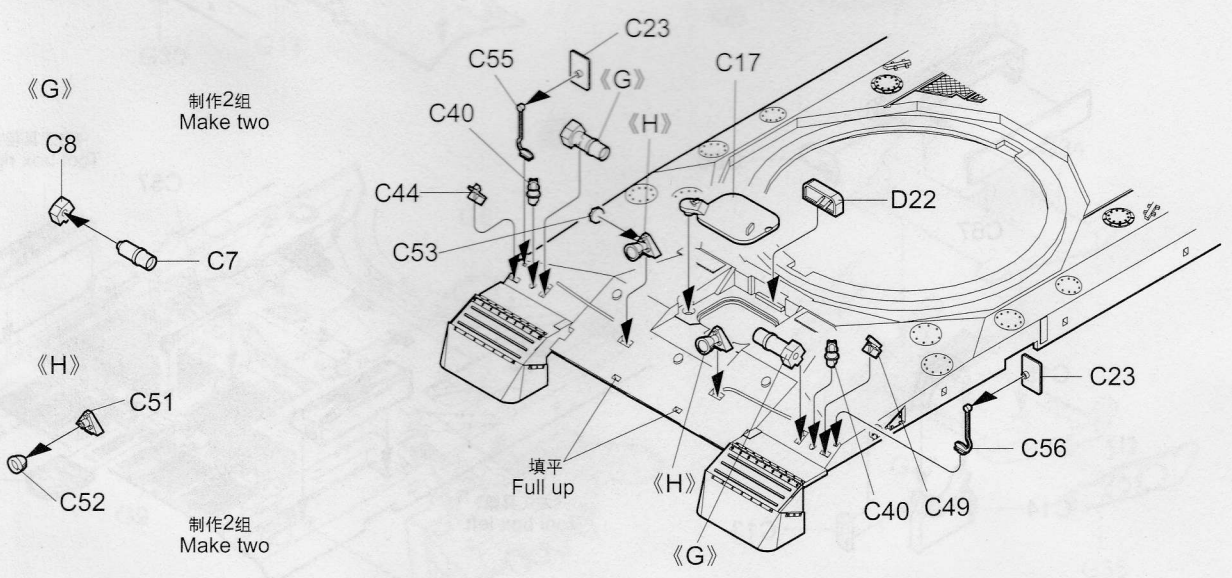
**10** 后板组装  
Rear Panel assembly



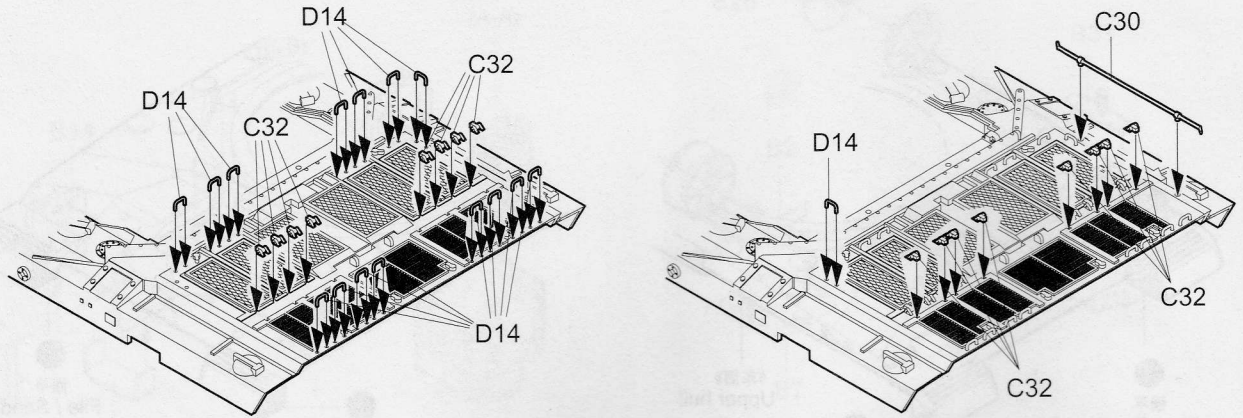
**11** 车体上部组装  
Upper hull assembly



**12** 车体上部组装  
Upper hull assembly

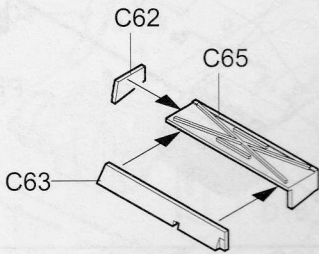


**13** 车体上部组装  
Upper hull assembly

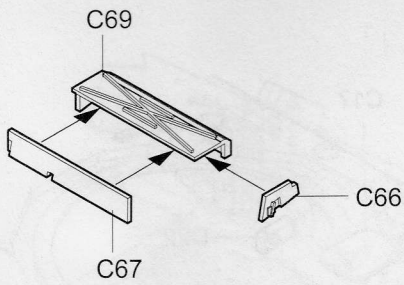


**14** 车体上部组装  
Upper hull assembly

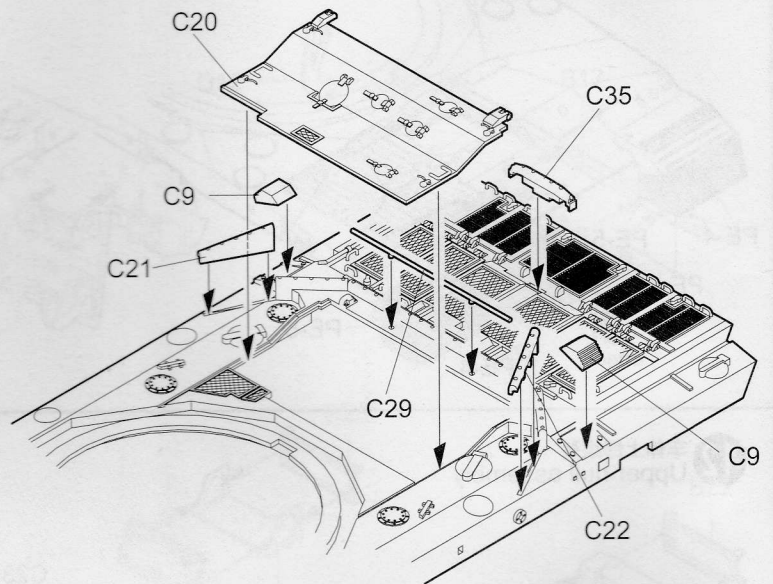
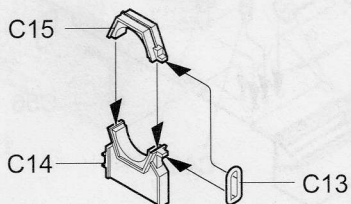
《右工具箱》  
Tool box right



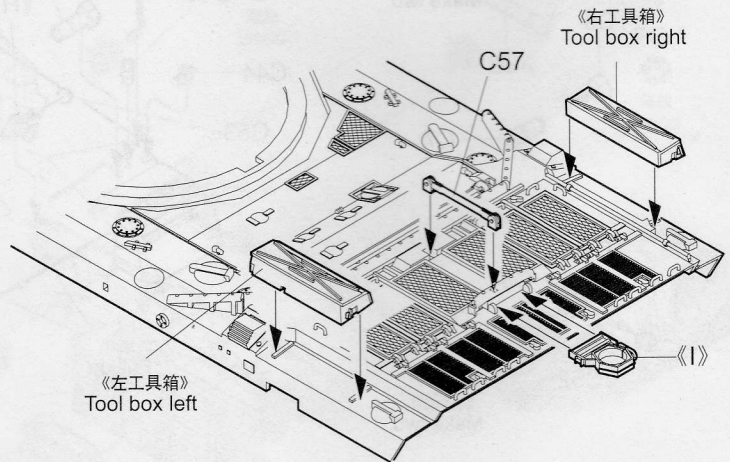
《左工具箱》  
Tool box left



《I》



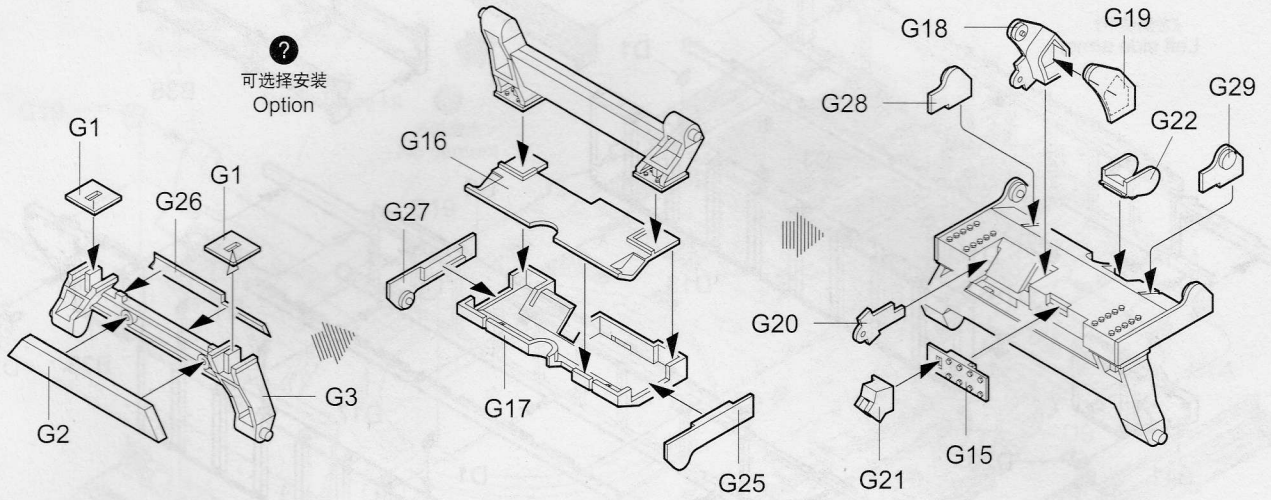
《右工具箱》  
Tool box right



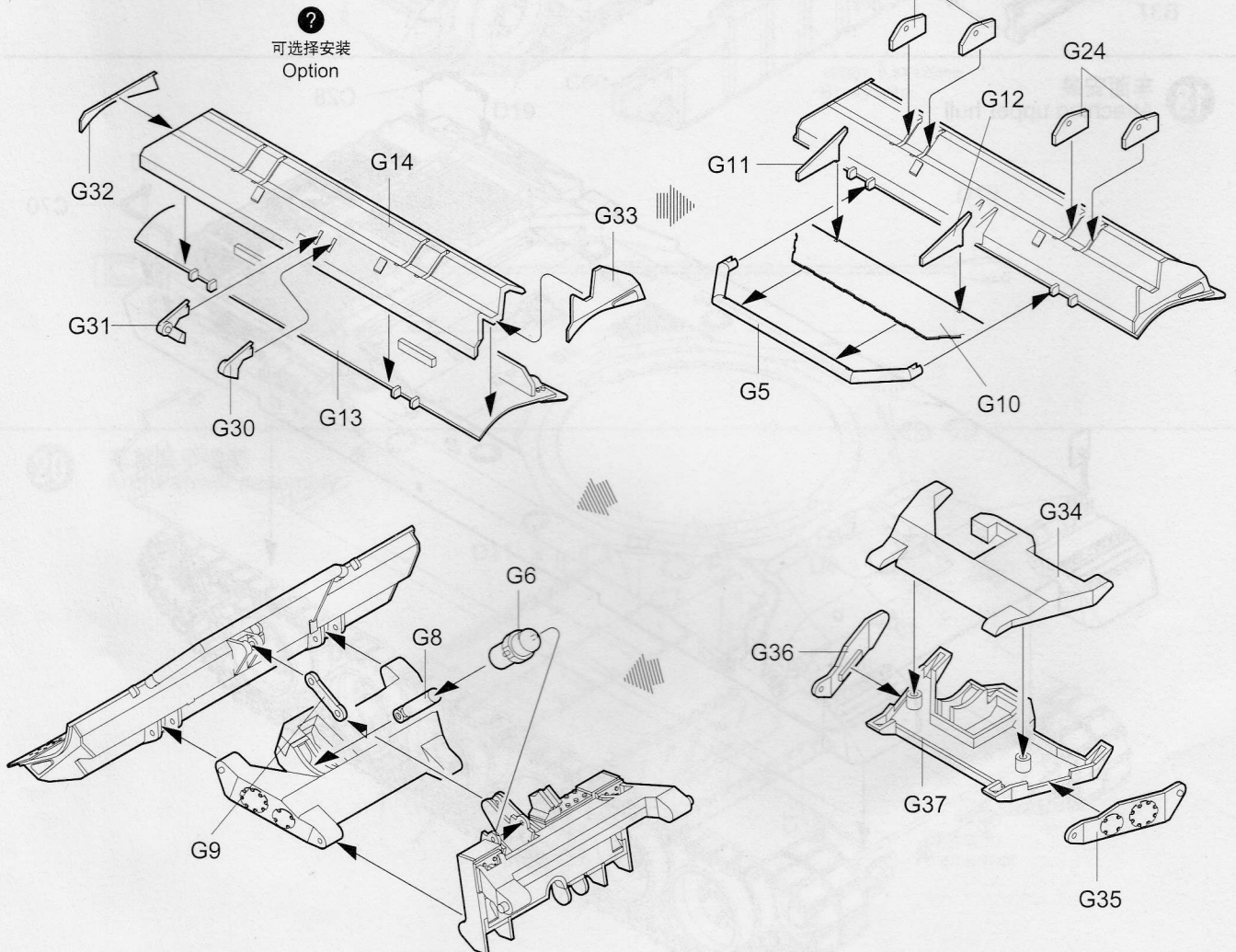
《左工具箱》  
Tool box left



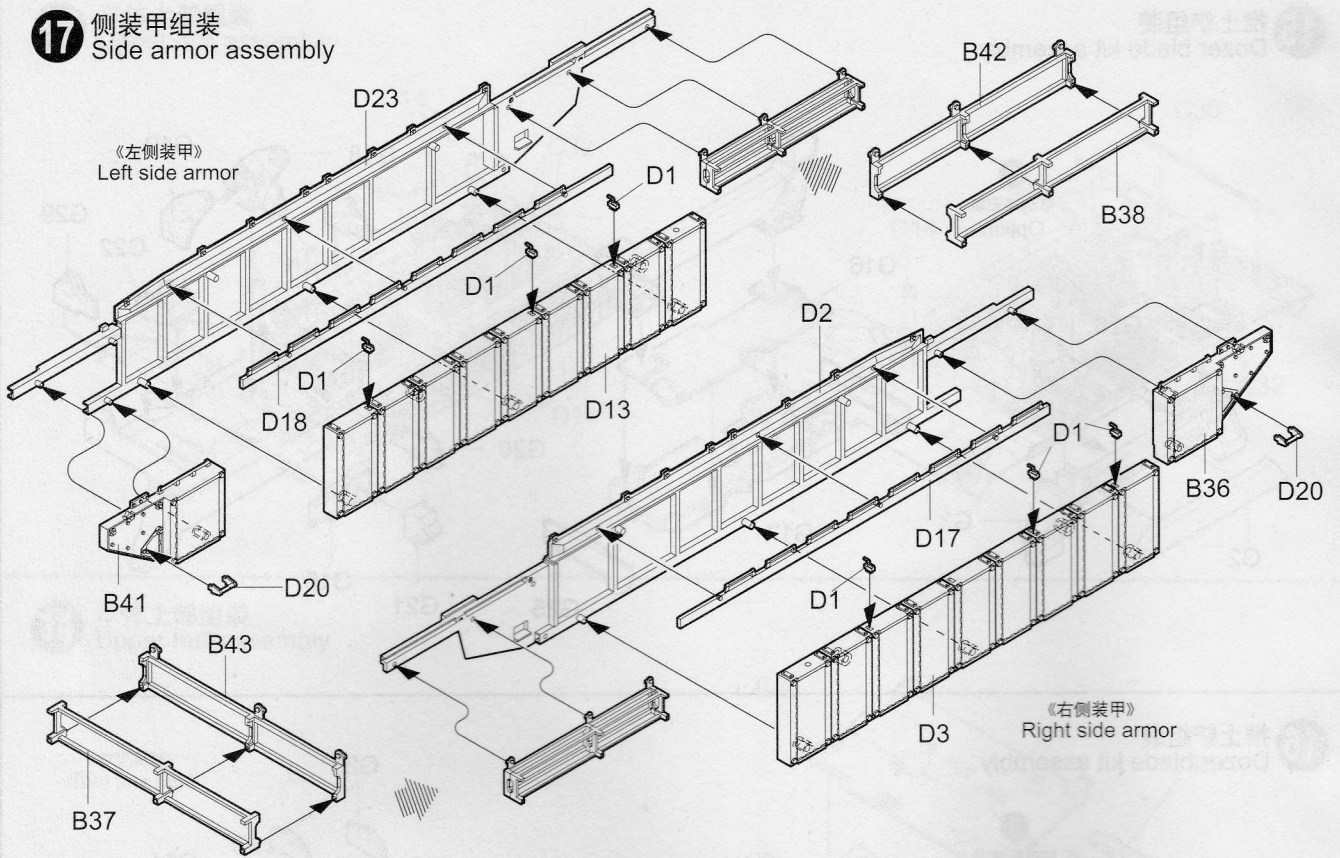
**15** 推土铲组装  
Dozer blade kit assembly



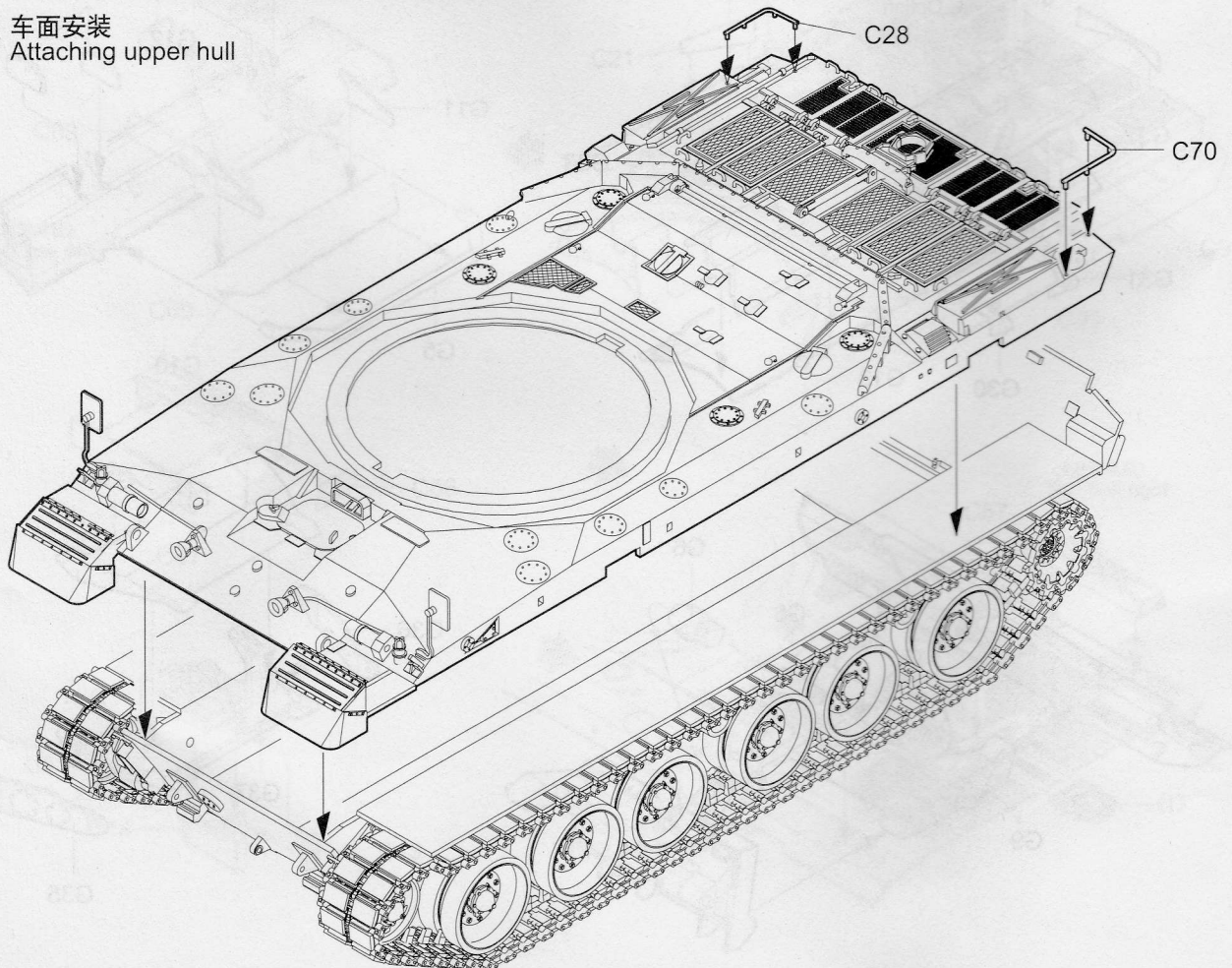
**16** 推土铲组装  
Dozer blade kit assembly



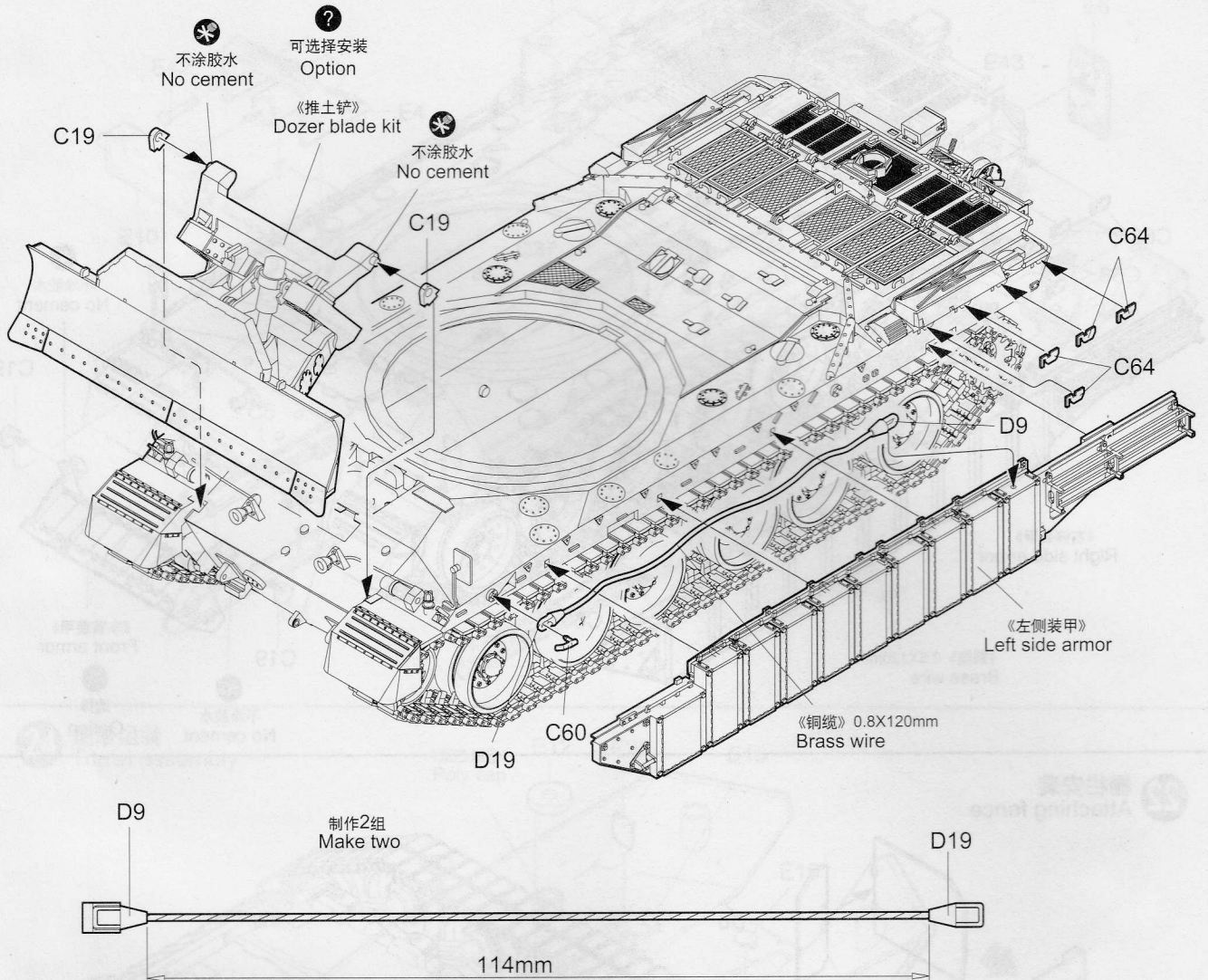
**17** 侧装甲组装  
Side armor assembly



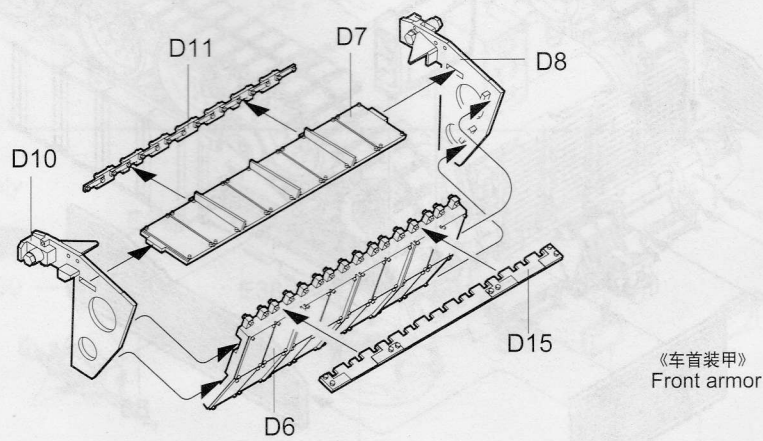
**18** 车面安装  
Attaching upper hull



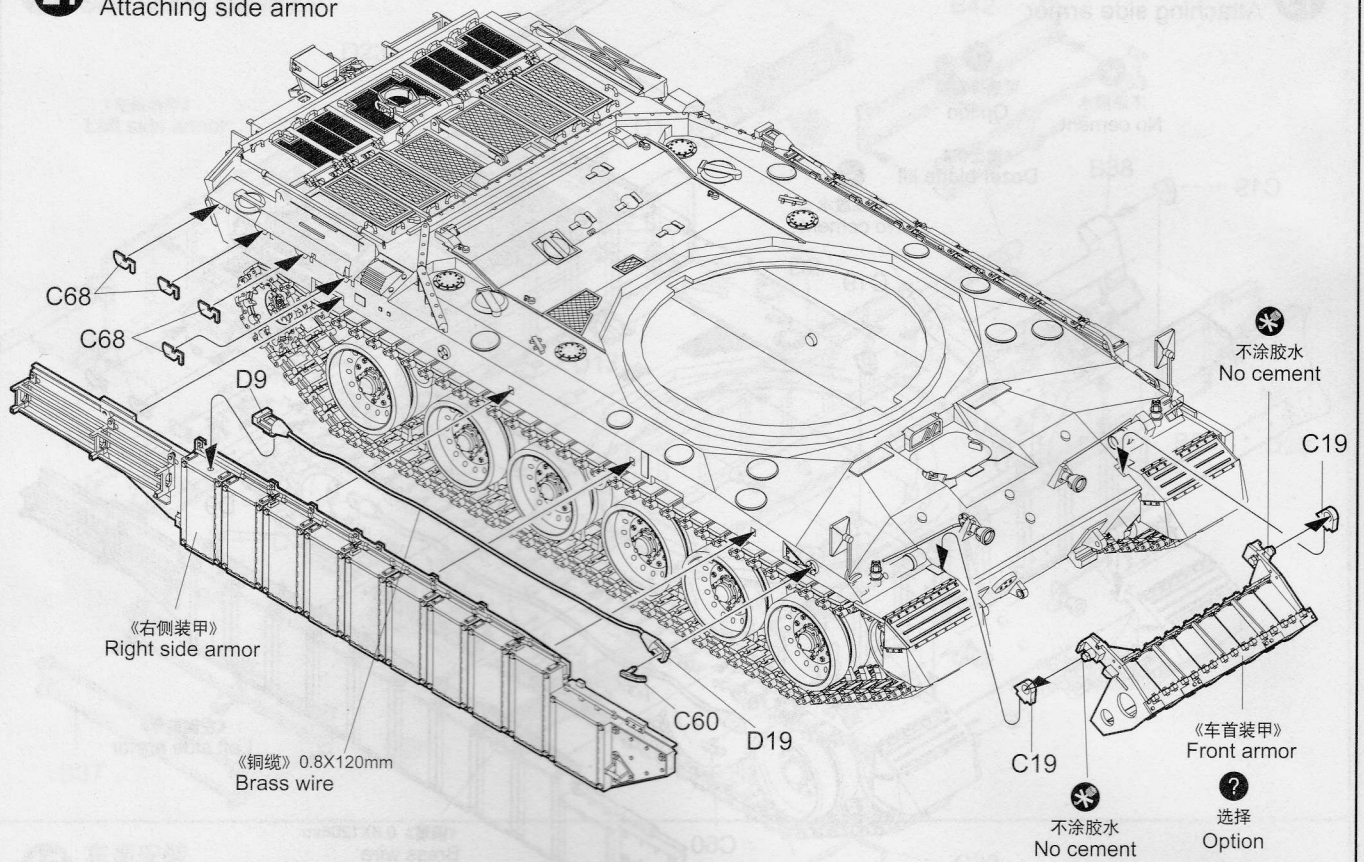
**19** 侧装甲安装  
Attaching side armor



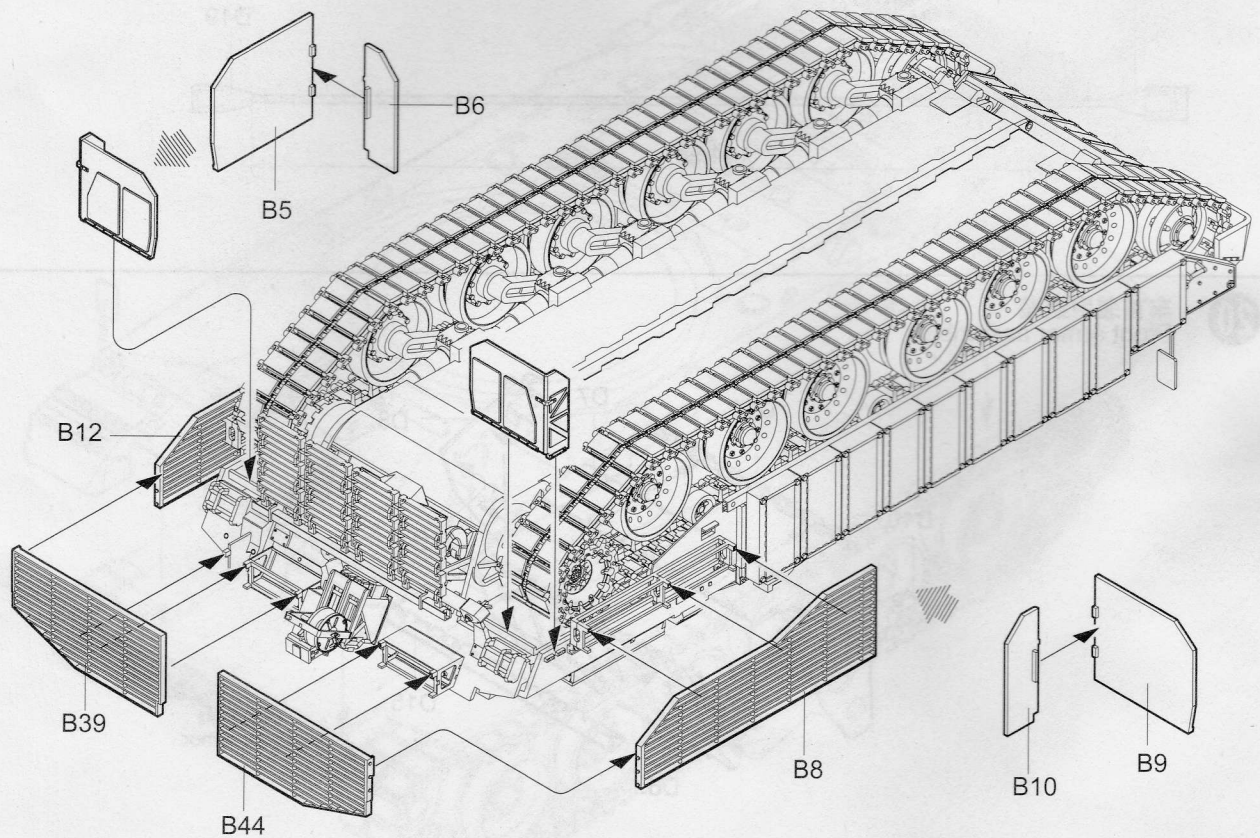
**20** 车首装甲组装  
Front armor assembly



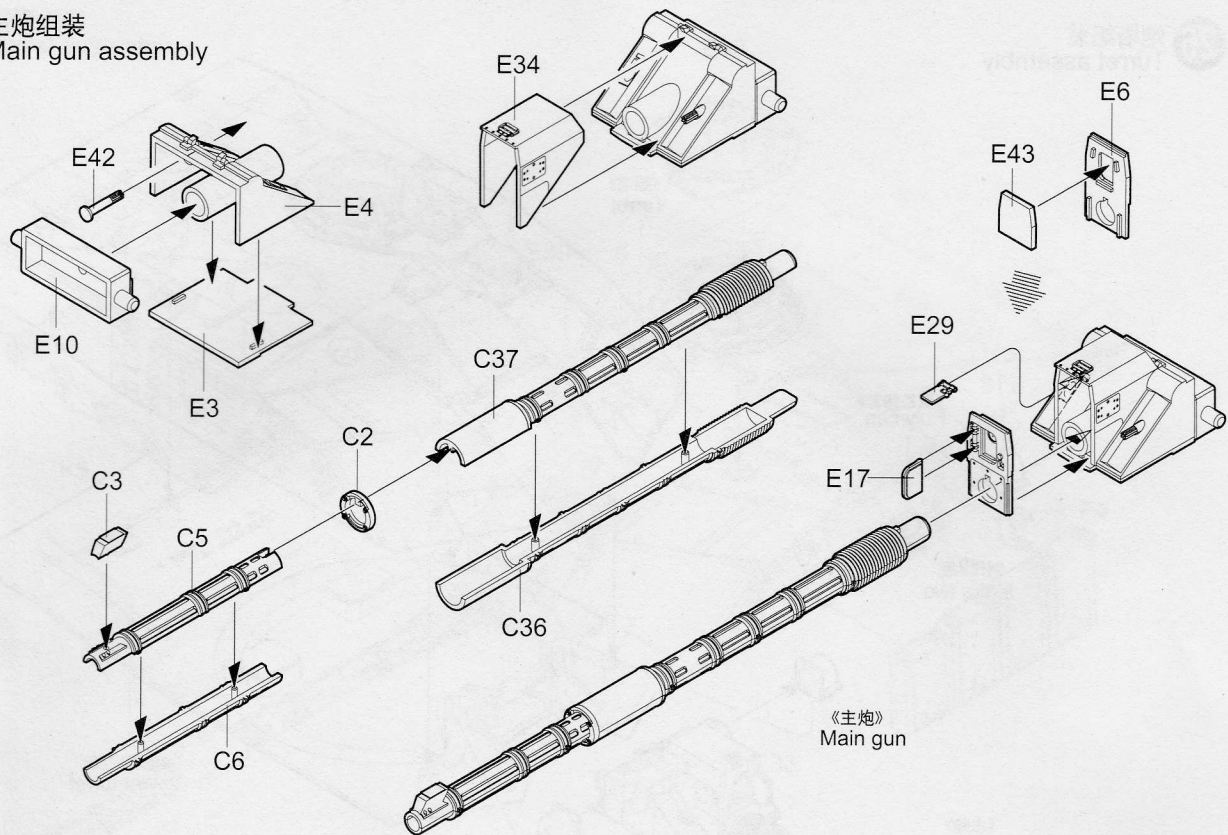
**21** 侧装甲安装  
Attaching side armor



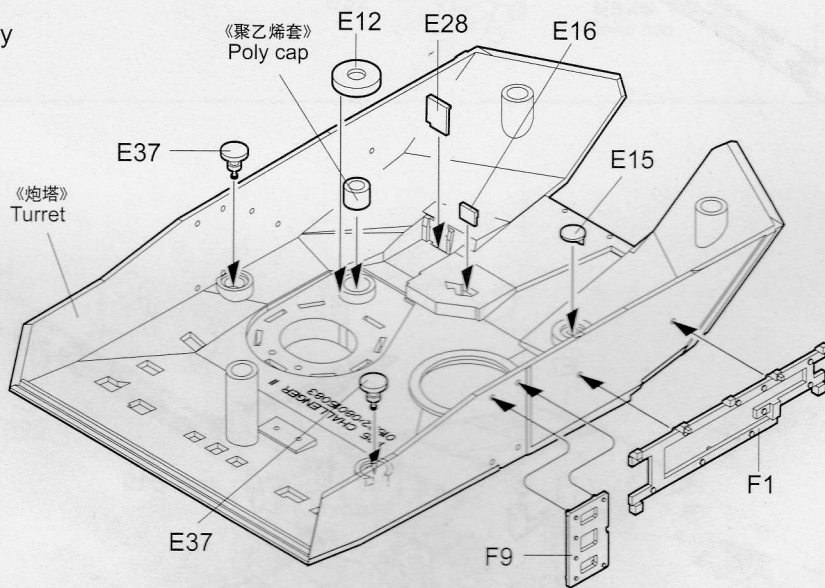
**22** 栅栏安装  
Attaching fence



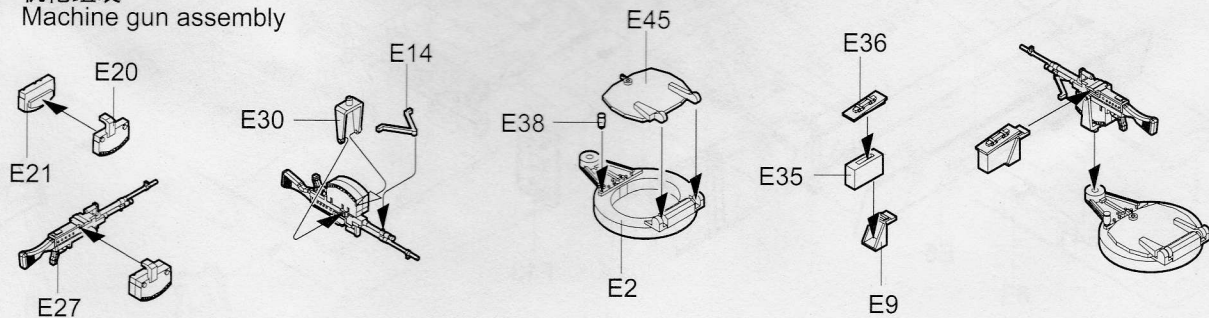
**23** 主炮组装  
Main gun assembly



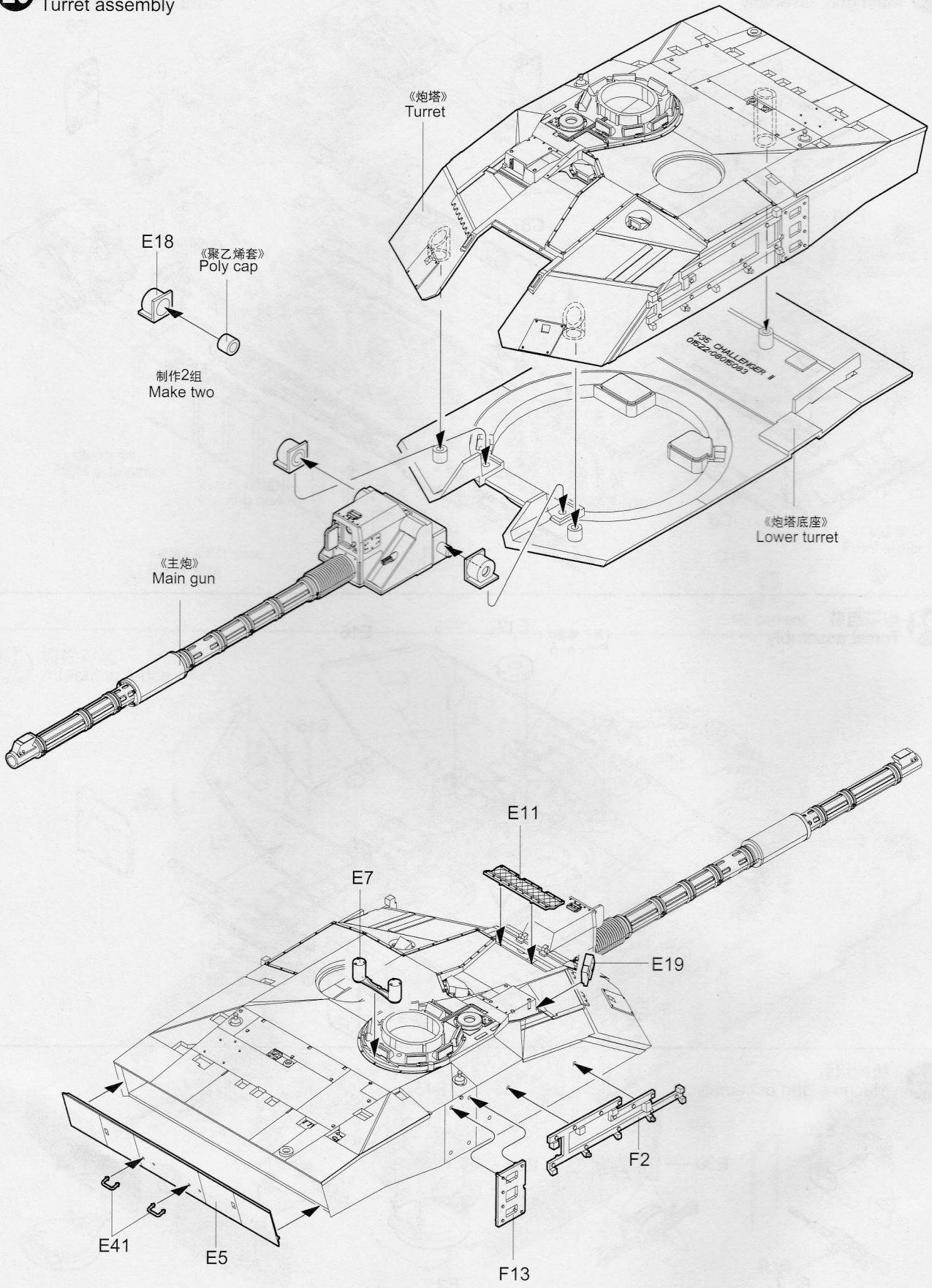
**24** 炮塔组装  
Turret assembly



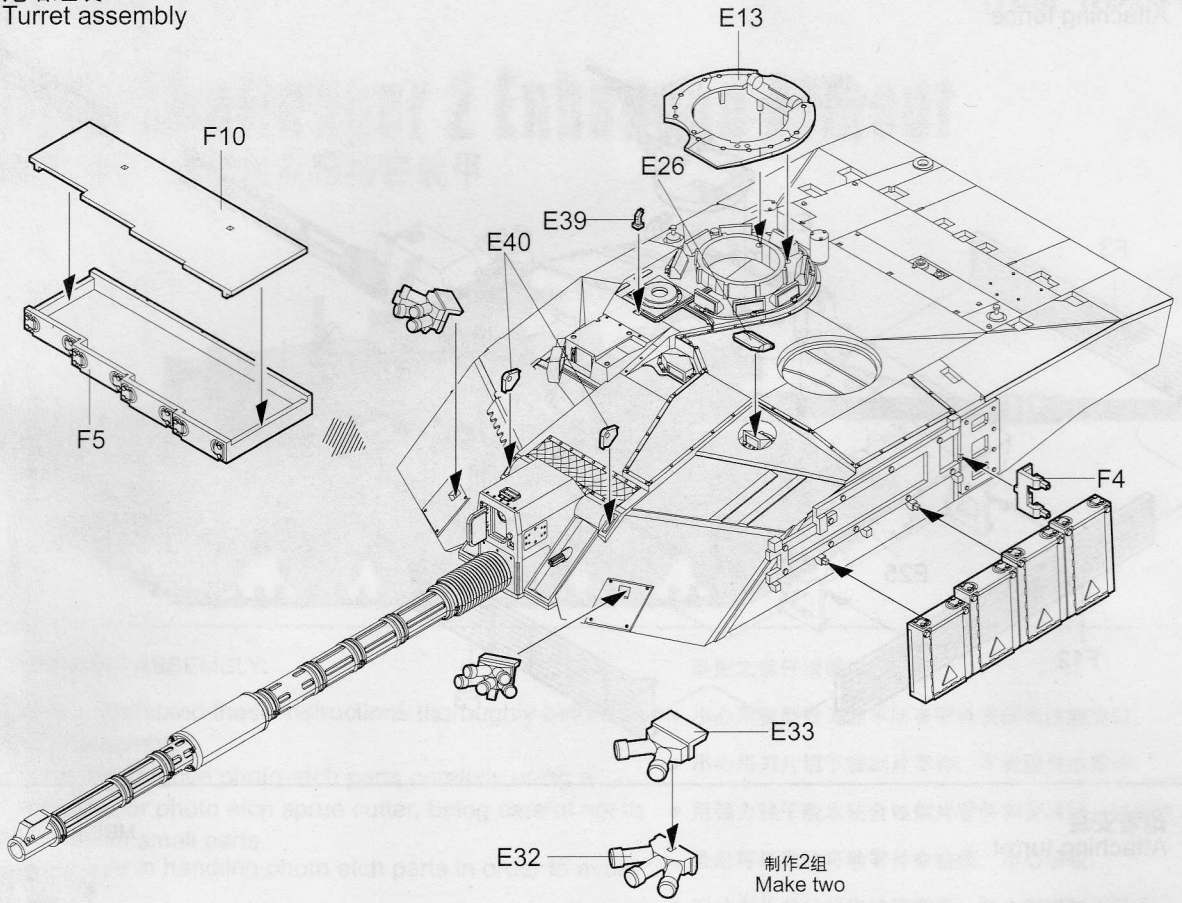
**25** 机枪组装  
Machine gun assembly



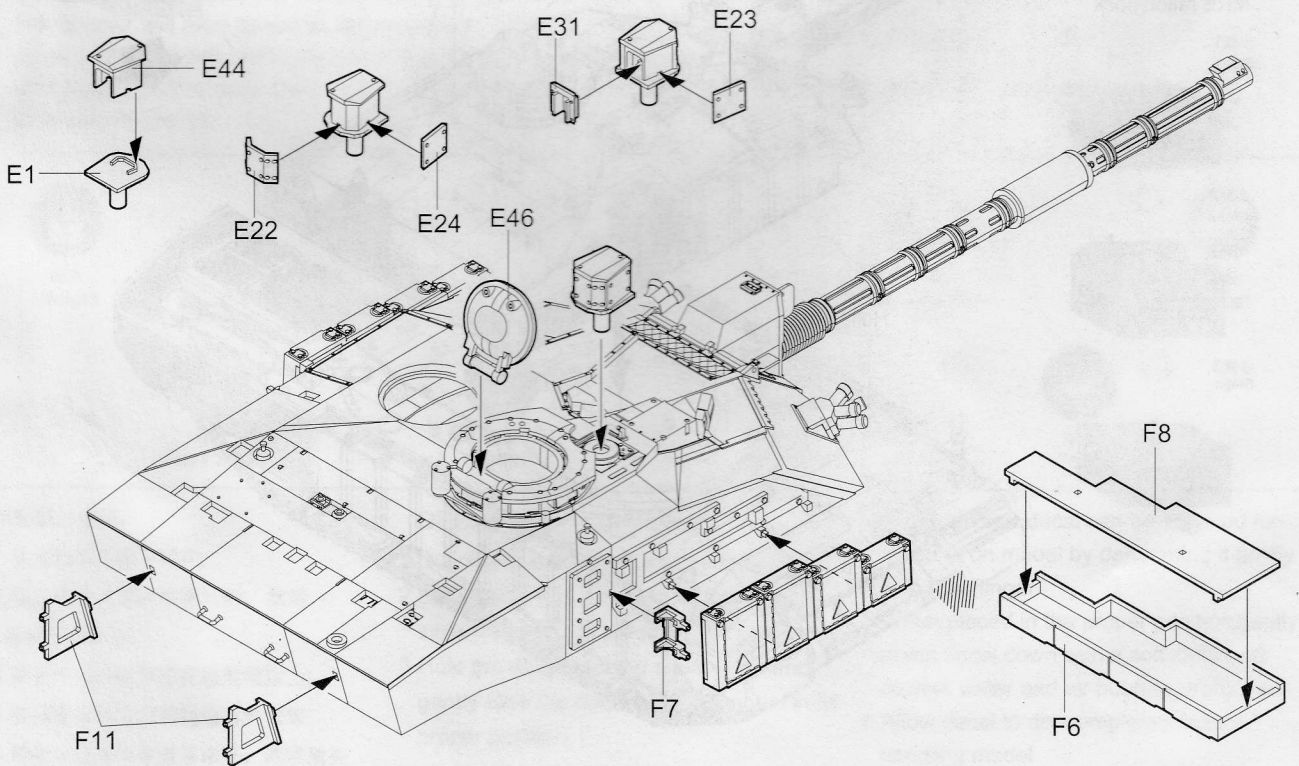
**26** 炮塔组装  
Turret assembly



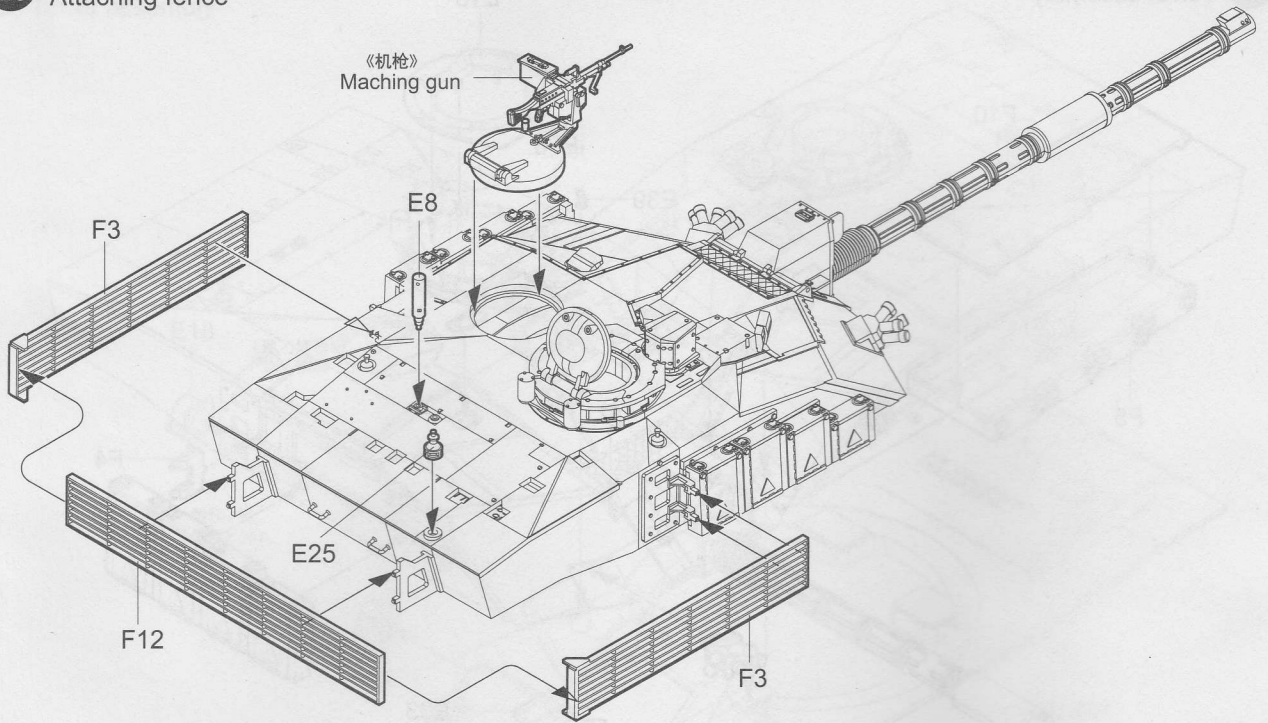
**27** 炮塔组装  
Turret assembly



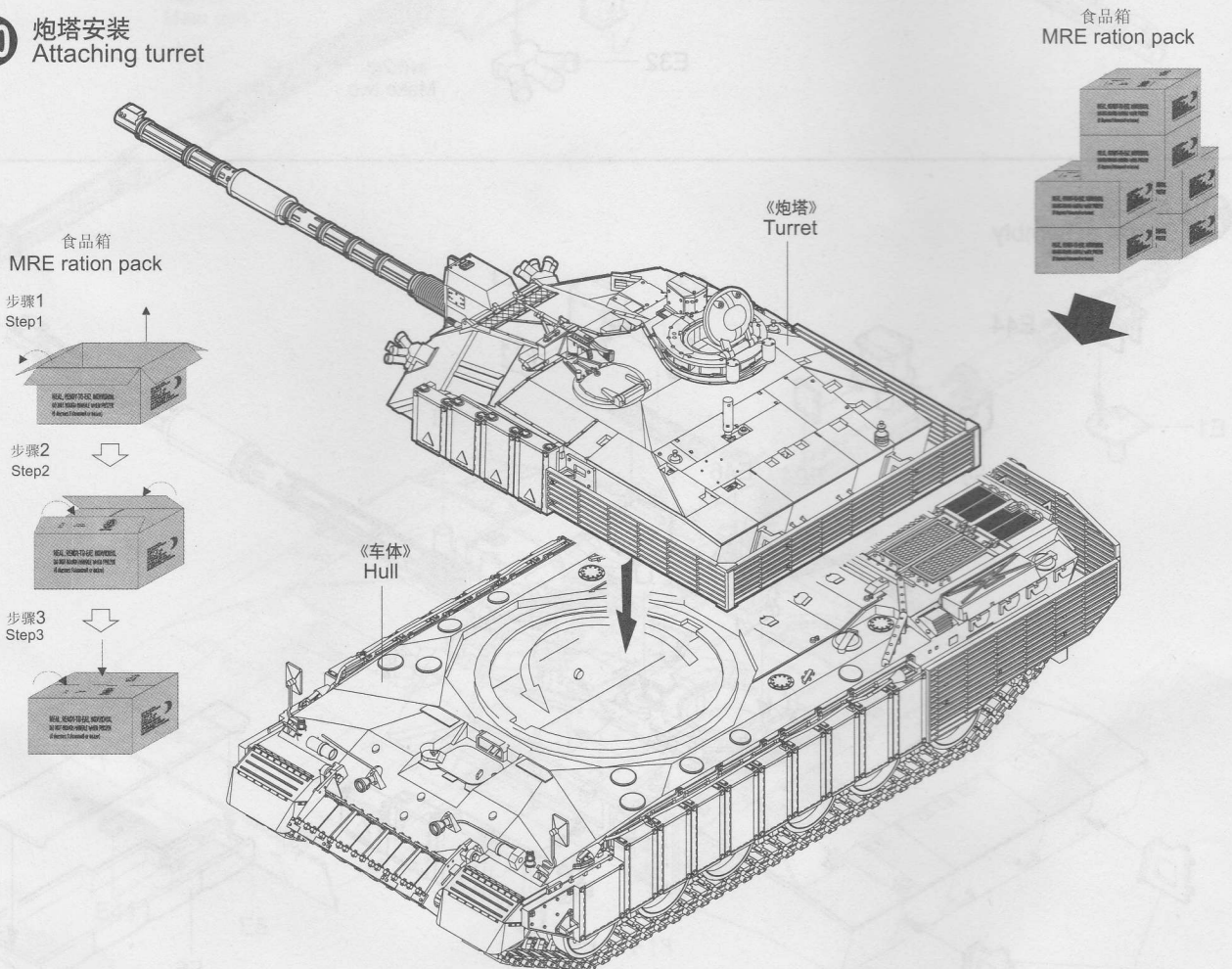
**28** 炮塔组装  
Turret assembly



**29** 栅栏安装  
Attaching fence



**30** 炮塔安装  
Attaching turret



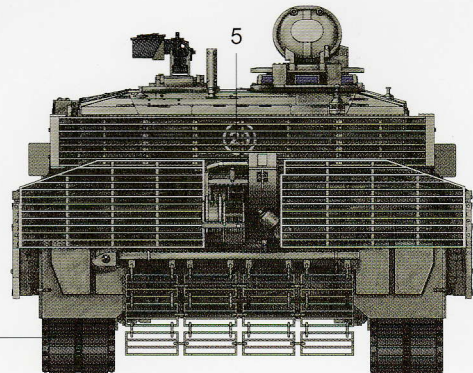
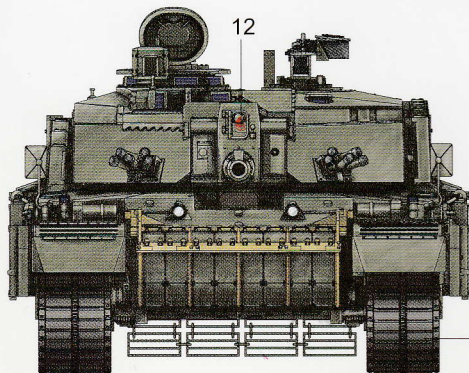
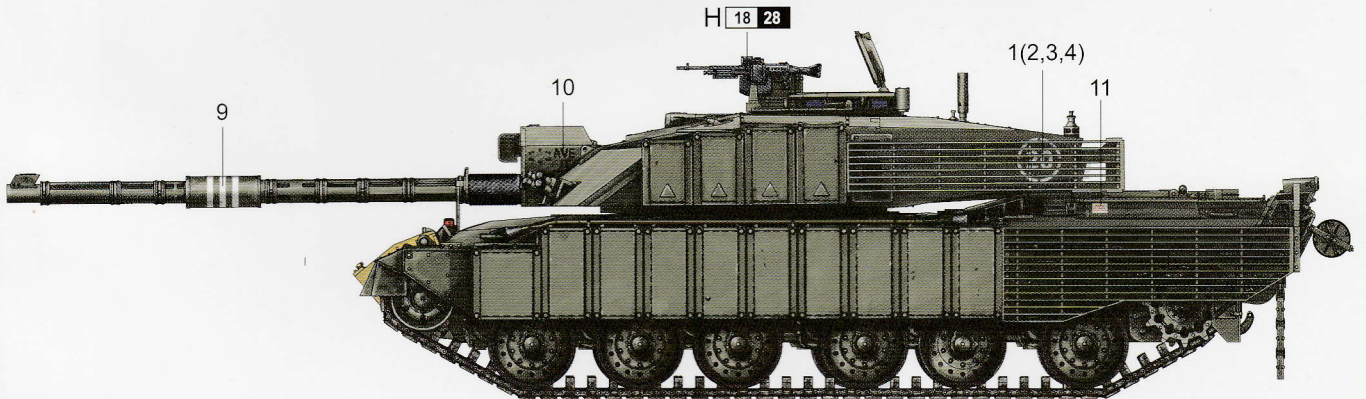
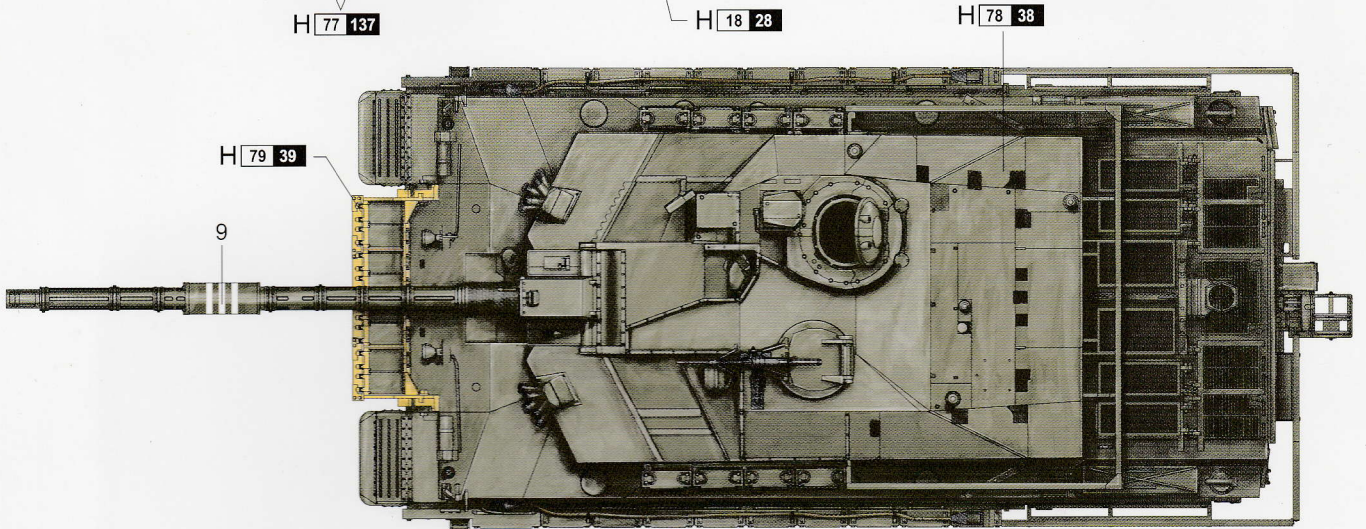
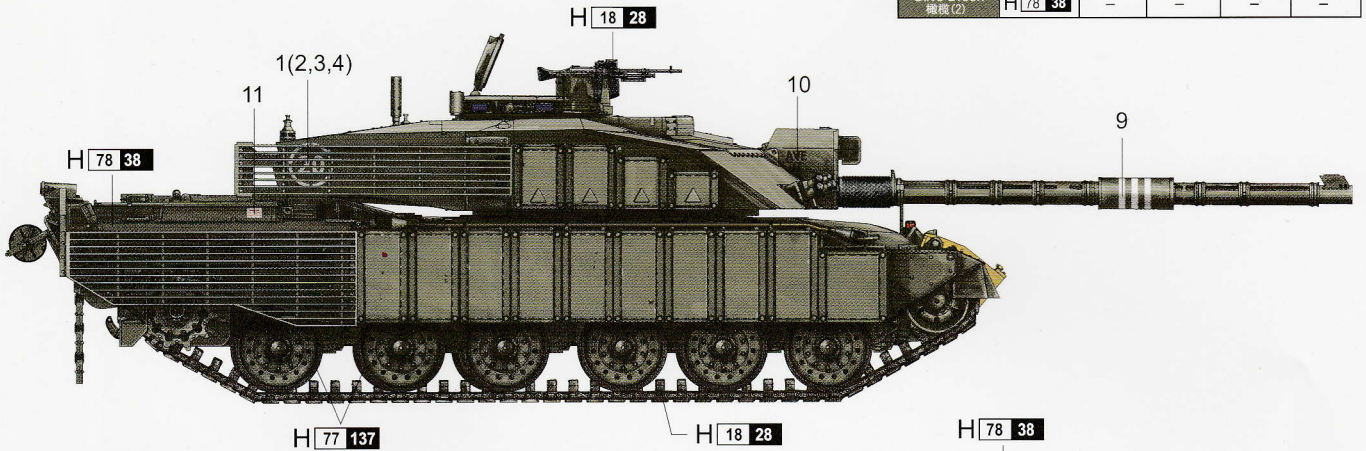


# 涂装同标贴指示

## Painting & Marking guide

### PAINT REFERENCE COLOUR

Color	Mr.Hobby	Vallejo	Model Master	Tamiya	Humbrol
Tire Black 胎黑色	H 77 137	-	-	-	-
Dark Yellow 暗黄色	H 79 39	824	-	XF59	93
Steel(Metal Black) 钢铁色	H 18 28	864	1402	-	-
Olive Dreen 橄榄(2)	H 78 38	-	-	-	-



H 77 137

H  AQUEOUS HOBBY COLOR

■ Mr. COLOR