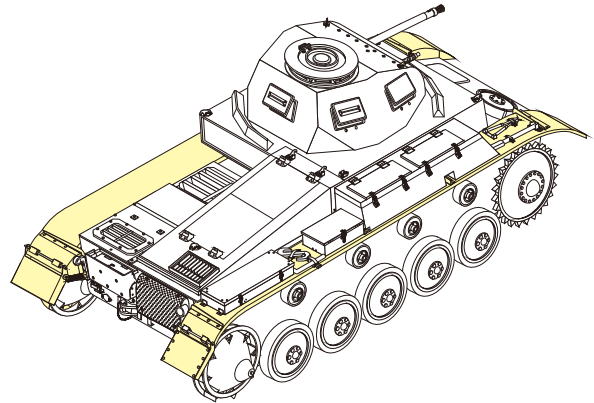


1/35 MILITARY MINIATURE VEHICLE UPGRADE SERIES PE35215

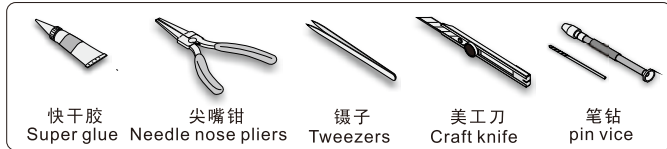
## Fenders for PzKpfw.II Early version

### 德国II号坦克早期样式翼子板

[For DRAGON Smart kit]



#### 推荐使用工具 RECOMMENDED TOOLS



↑ 安装  
install

↩ 折叠  
bend

**A1**  
改造件零件编号  
PE/resin part number

**B12**  
原零件编号  
kit part number

**C22**  
被替换的原零件编号  
replaced kit part number

↔ 另一侧相同制作  
repeat on opposite side

✂ 切除  
remove

🔪 打磨  
grind off

📏 弧度卷曲  
radial bending

📦 x2  
制作若干组  
multiple assembly

↔ 选择安装  
alternative

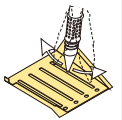
🔧 钻孔  
drill

📏 用胶棒制作  
make from plastic rod

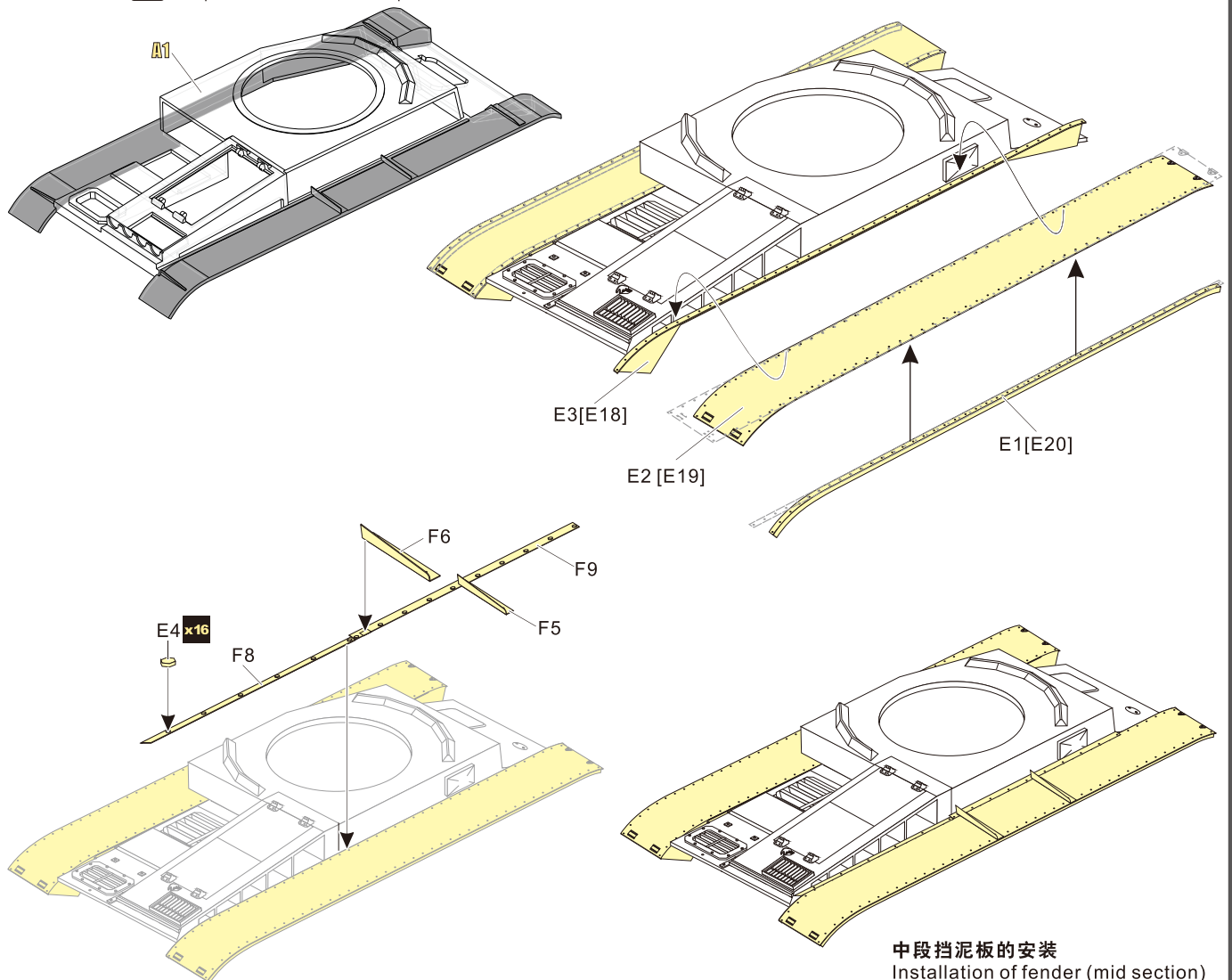
↓  
用尖端在凹槽处冲压  
use penpoint to press on the dent

📏 蚀刻片零件内朝面向上  
Put the part upside down

📏 用笔尖在凹槽处刺  
Use penpoint to press on the dent



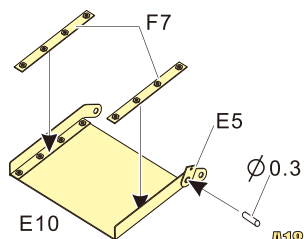
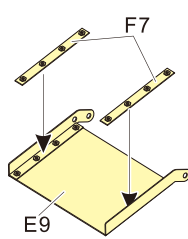
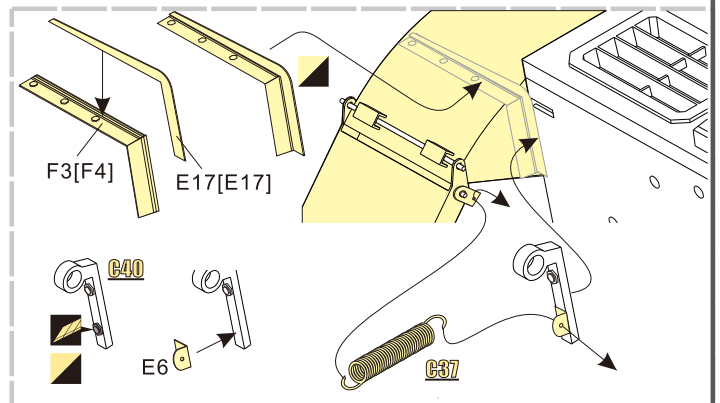
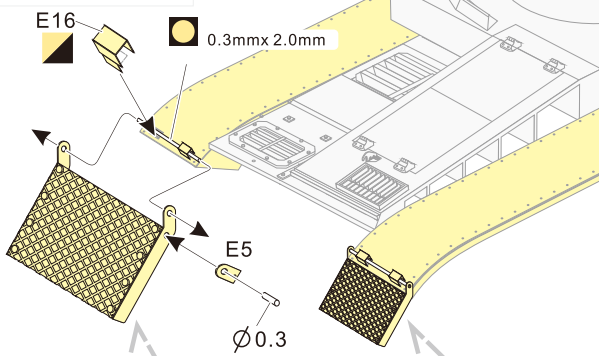
⚠ 注意比对PE后切割  
Compare the PE for different shape before cut them off



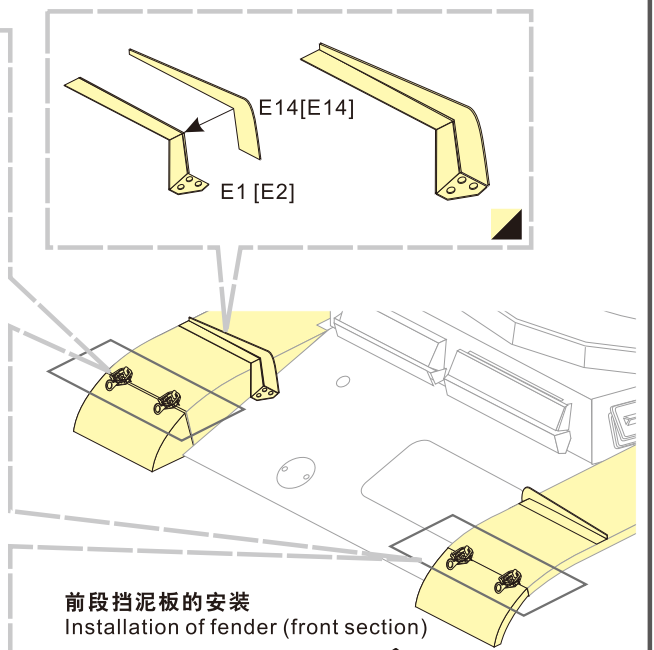
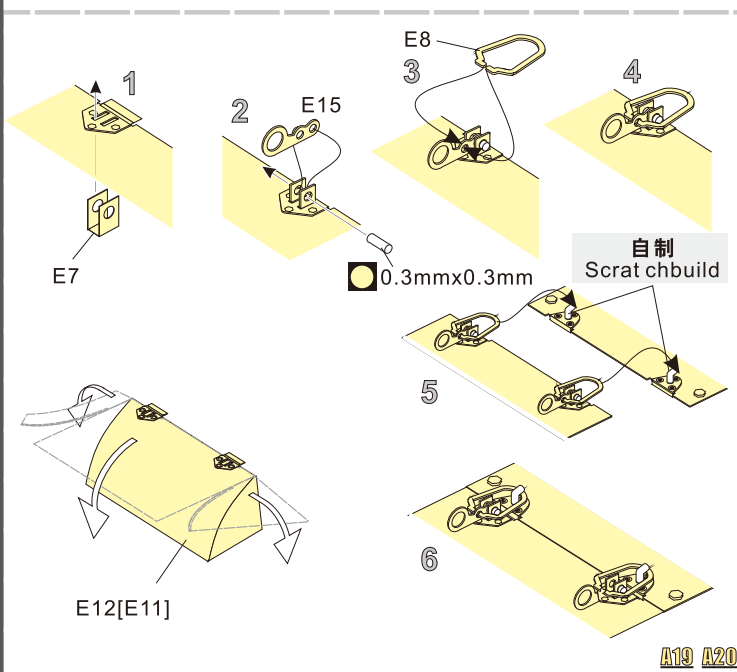
中段挡泥板的安装  
Installation of fender (mid section)

1/35 MILITARY MINIATURE VEHICLE UPGRADE SERIES PE35215

⚠ 插入以后折叠  
Bend after insertion



后段挡泥板的安装  
Installation of fender (rear section)



前段挡泥板的安装  
Installation of fender (front section)

<http://www.voyagermodel.com/productdetails.asp?itemi>



**VOYAGER  
MODEL**



更多PE35215样品照片参考请扫一扫  
MORE PICTUER OF PE 35215  
REFERENCE SCAN HERE

