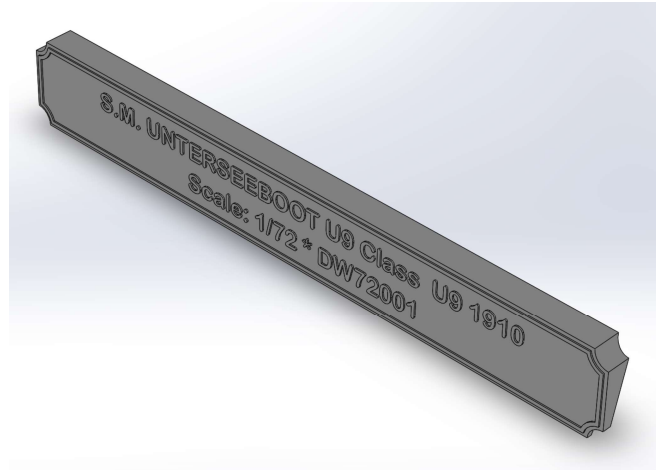


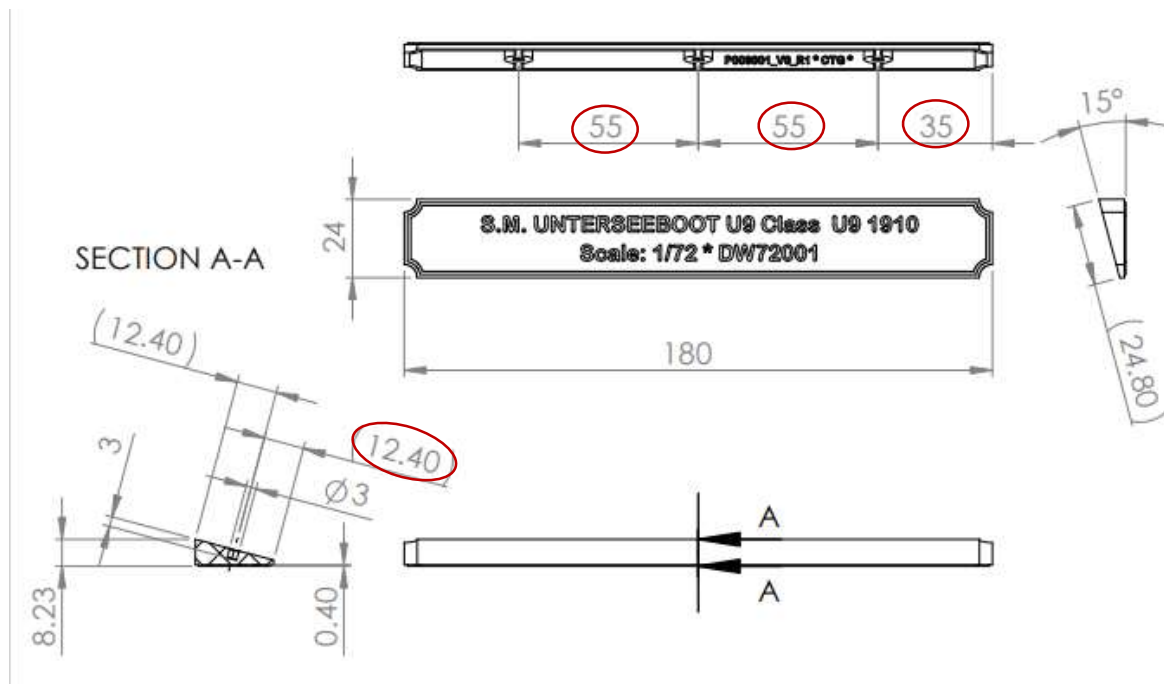
GENERAL INSTRUCTIOS

CTG - TWO-LINE NAMEPLATES - TYPE 04

(for Scale: 1/YY; for Model Kit: Model Kit Ref. No.)



Name Plate 3D View



Nameplate Main Dimension

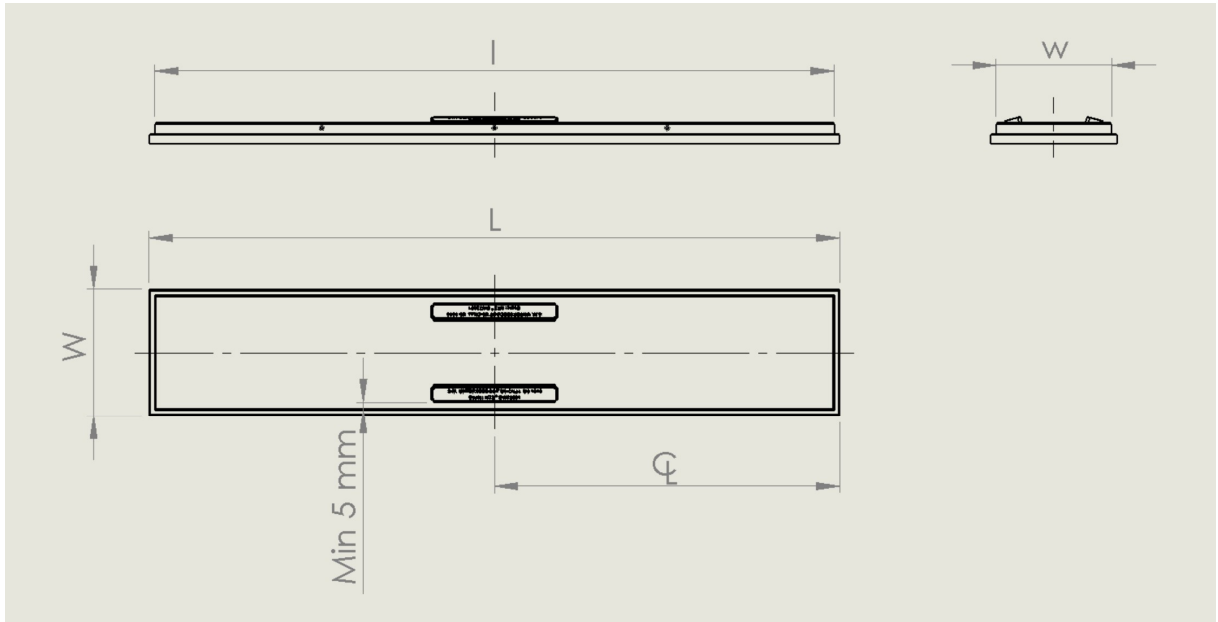
Material: PA-12, Grey (HP MJF).

Finishing Sugsetion:

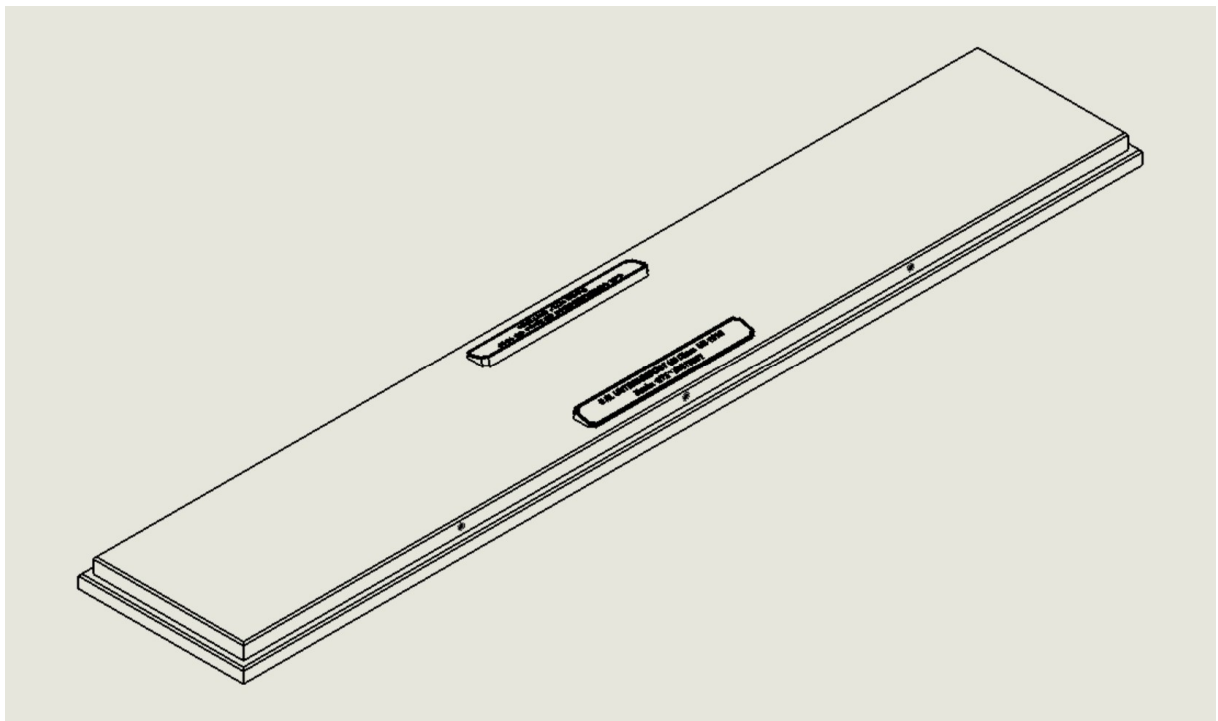
- **Primer:** Maston ONE, Grey, Matt, Art. No.: 1100518.
- **Finish:** Black, Matt.
- **Text and Ornament Frame:** Gold or Brass Metallic (AK Interactive Series).
- **Final Protection Coatings Finish:** Matte Varnish.

GENERAL INSTRUCTIOS

SOLUTION SUGGESTION



Model Base with the Nameplates



3D View of Model Base w Nameplates.

NB! Nameplate orientation: The 15 degree tilt is towards the viewer!

GENERAL INSTRUCTIOS

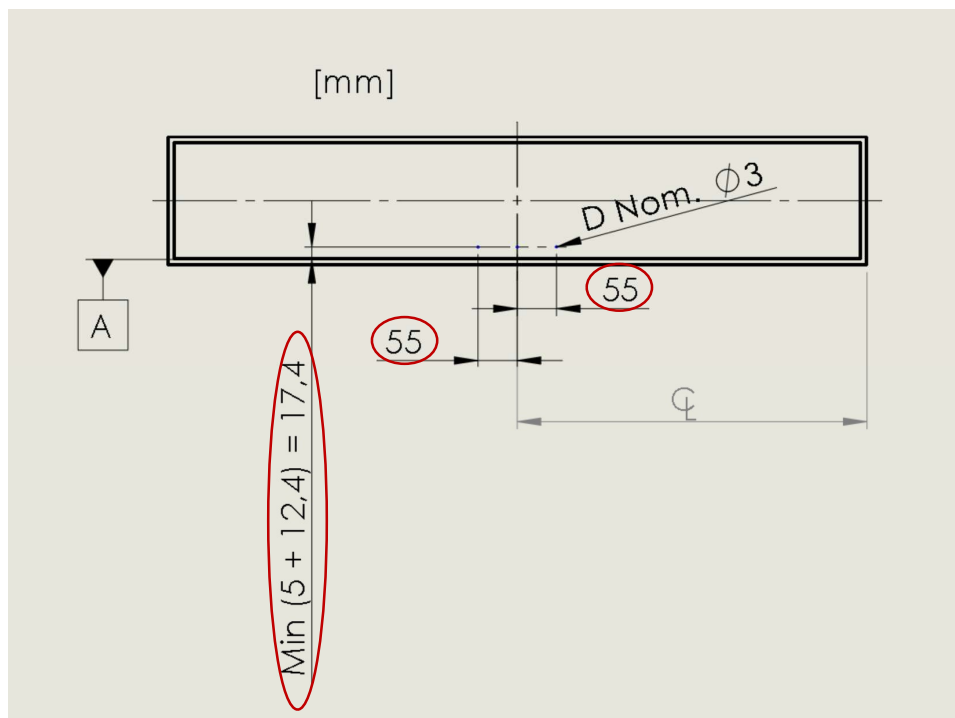
INSTRUCTION

Recommendation: place the Nameplate oriented along the longer side of the base, parallel to the longer side.

NB! Nameplate orientation: The 15 degree tilt is towards the viewer!

The distance of the nameplate from the upper side surface of the base is at least 5 mm, the distance of the openings min $(5 + 12.4^*) = 17.4$ mm.

*The distance of the holes from the edge of the nameplate is 12.4 mm. Measure the distance between the holes on the nameplate and apply and mark the dimensions on the base for drilling the holes.



Pallet Holes for Nameplate

For positioning, a 3 mm Styrene rod can be used, from which pins can be made, with which the name plate can be attached to the base.

- Pins: 3 mm Styrene rod, length 9 mm, chamfered ends (0.5 x 0.5) mm.
- Push the pin into the name plate, the depth of the hole in the name plate is 3 mm, fix it with instant glue.

Pre-drill Holes on the base, **depending on the material/hardness of the wood, the holes on the palette (0.1 - 0.3) mm smaller than the nominal size of the pin.

- Pre-drilled Holes **D = (2,7 – 2,9) mm, Pre-dilled Hole Lenth 8 mm.
- This allows the installation and fixation of the name tag with a Interface Fit.
- This allows you to remove the label if necessary.
- The label can also be glued using PVA or instant glue, applying the glue to the joint surfaces of the holes and pins. Push the name plate into place and keep it under the summer (3 - 5) min.