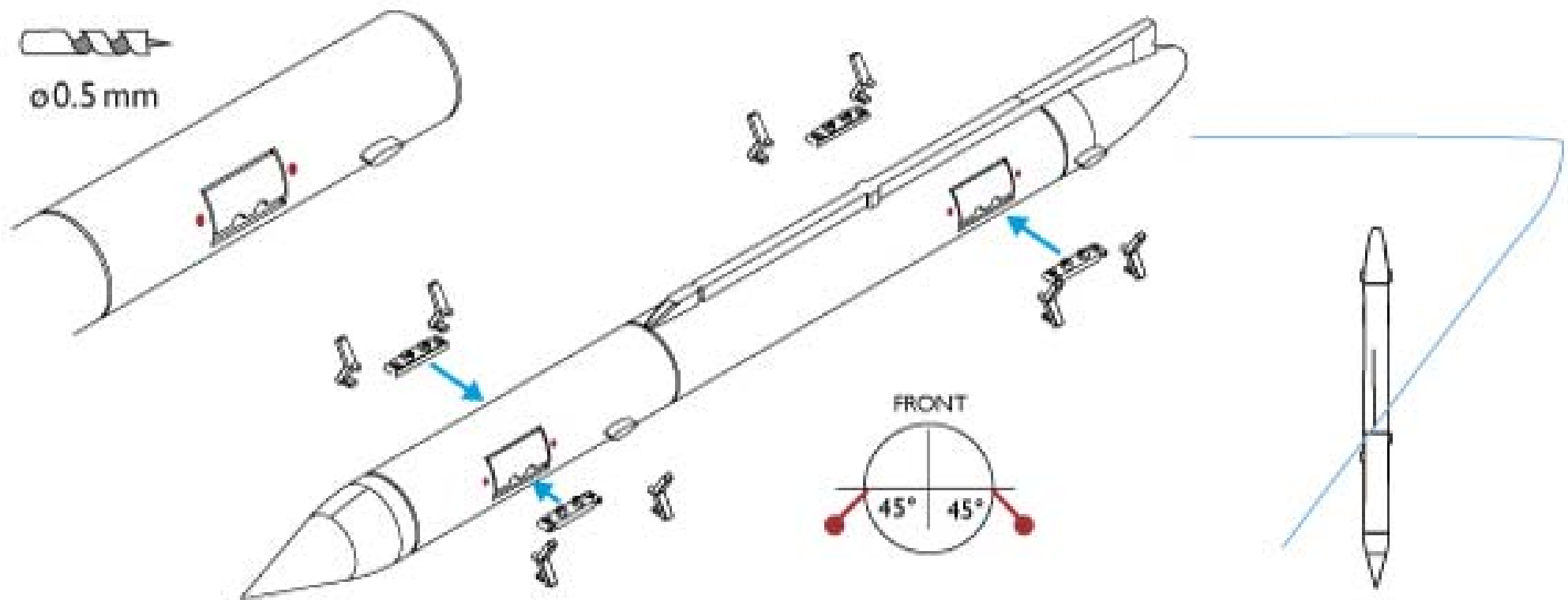


## HPA072033 RPK-10 Tank & Bomb Carrier

The RPK-10 tank & bomb carrier was developed to add range and capability to the Mirage. Each tank could carry up to four bombs to be carried along with 110 Gal (500 l) of fuel. Both iron bombs and laser guided bombs could be used and the tank did not significantly affect operation.



Before using, the parts should be washed with dishwashing detergent and primed with spray primer. Light sanding may be needed to remove 3D print strata marks.