

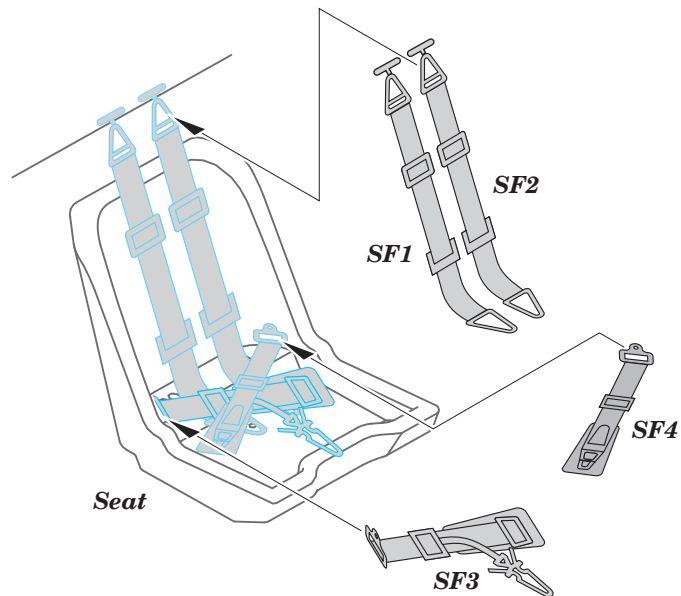
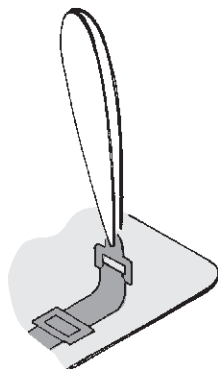
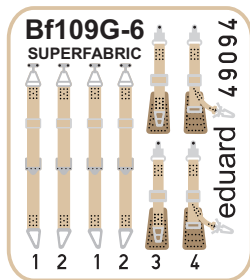


# Bf 109G seatbelts SUPERFABRIC

1/48 scale detail set for EDUARD kit • sada detailů pro model EDUARD 1/48

eduard

49 094



- 1. Remove SF part from the supporting paper using point tweezer.**
- 2. Put the SF part to its place.**
- 3. Fix the part using white glue.**

**Note: Do not use CA glue !!!**