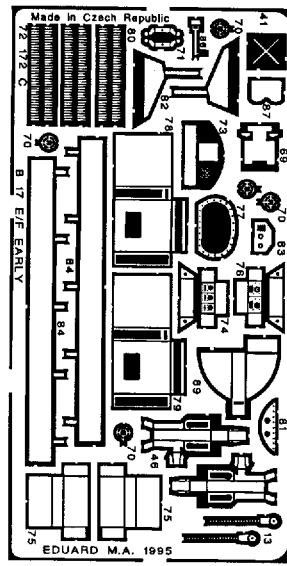
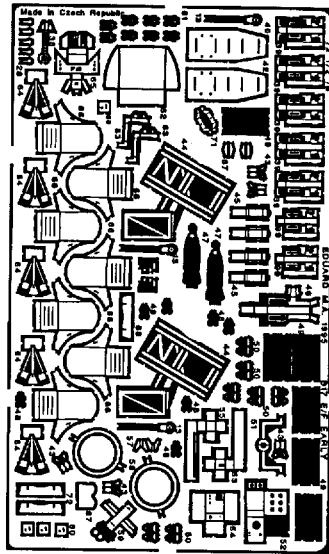
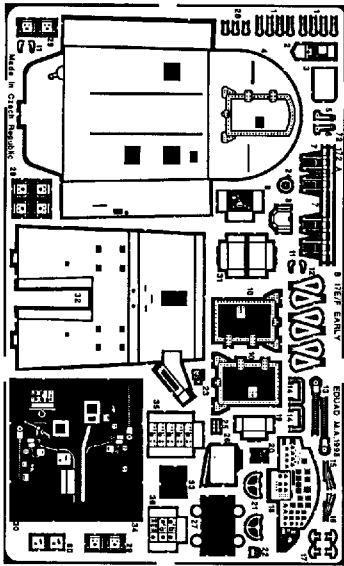




# BOEING B 17 E/ F /EARLY/ INTERIOR

72 172

1/72 scale detail set for ACADEMY kit



OPPOSITE SIDE

OPTION

BEND

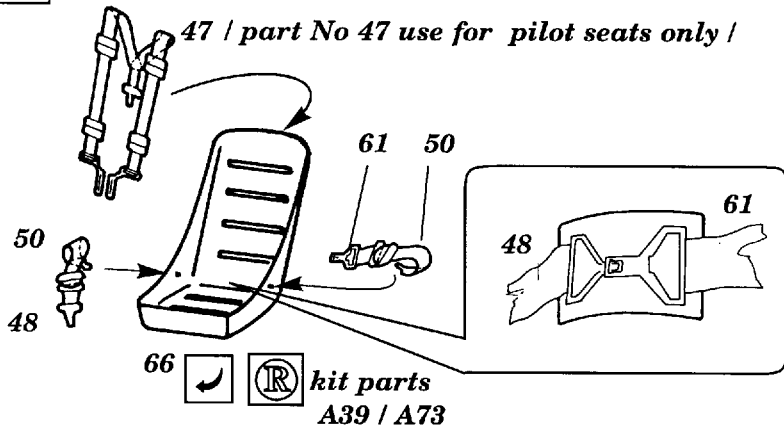
REPLACE

REMOVE

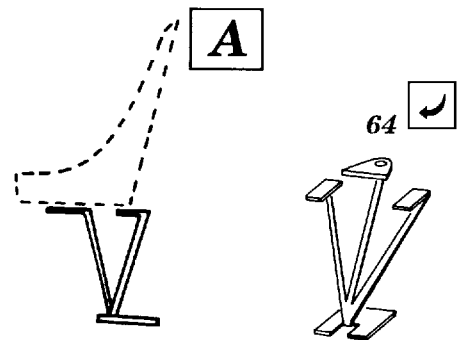
GRIND

B 17E/F  
72 172

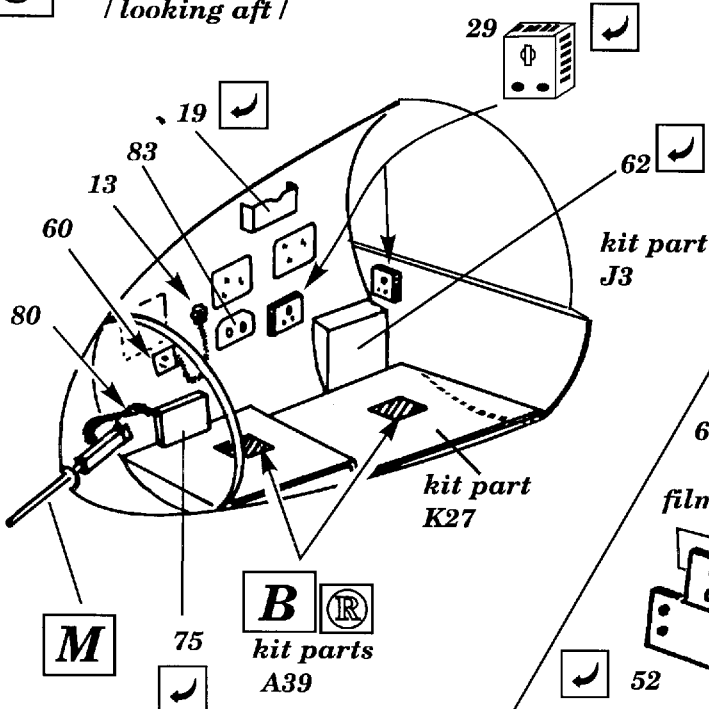
## A SEAT ASSEMBLY



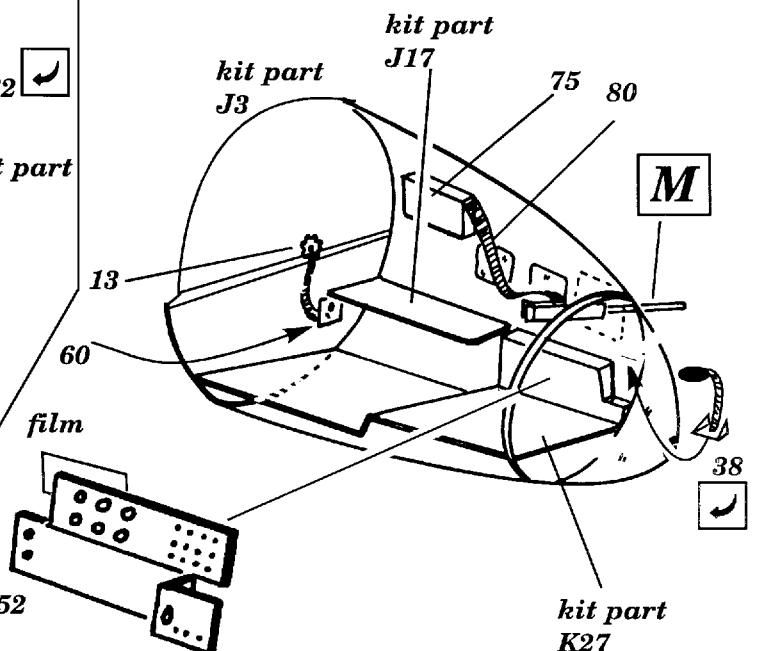
## B SEAT ASSEMBLY / 5x /



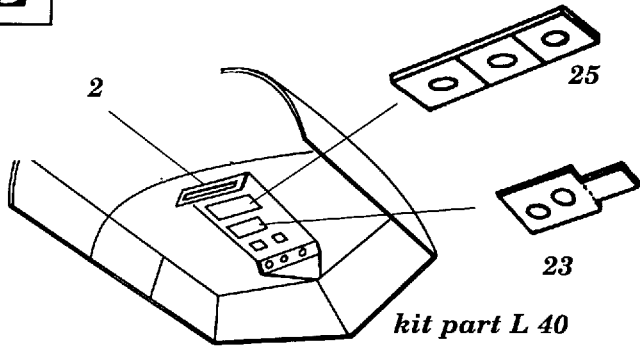
## C NOSE COMPARTMENT / RIGHT SIDE / looking aft /



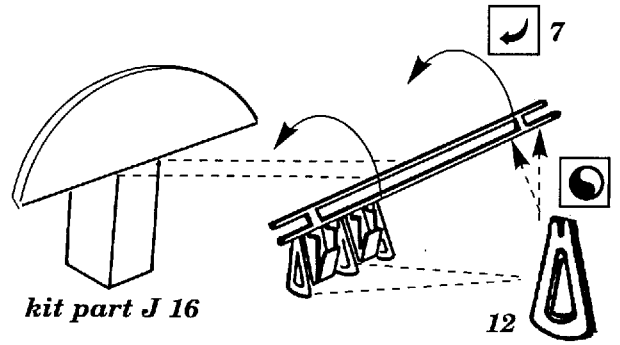
## D NOSE COMPARTMENT / LEFT SIDE / looking aft /



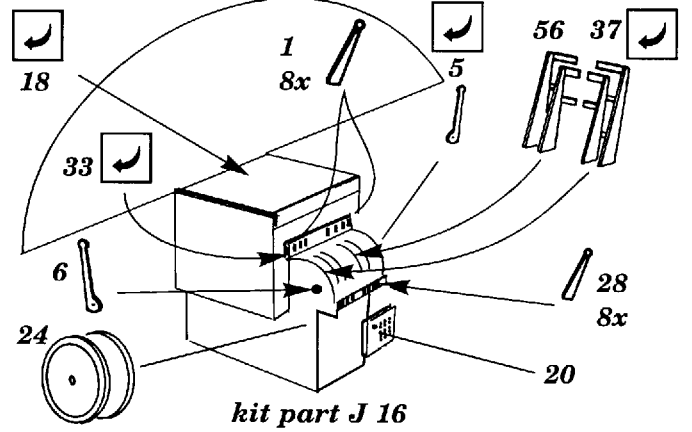
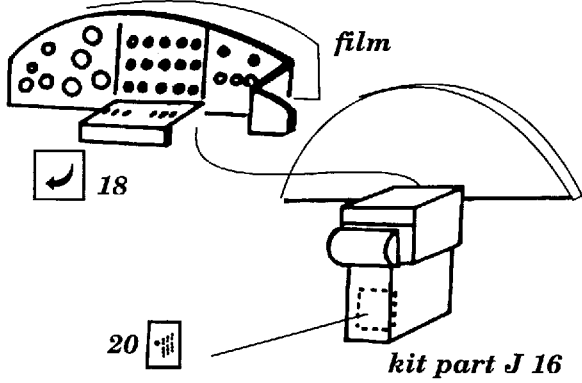
**E** COCKPIT CEEING CONTROL



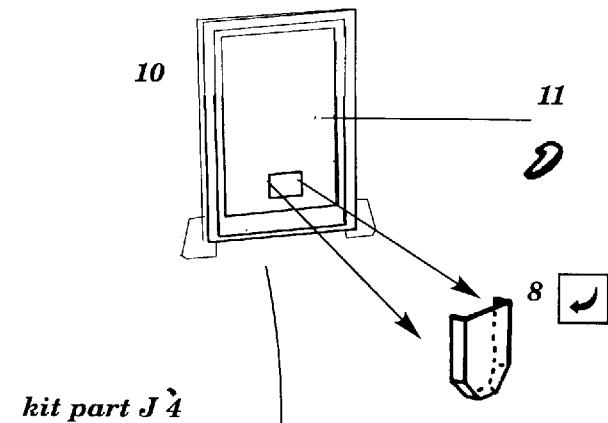
**F** RUDDER PEDALS and INSTRUMENT PANEL



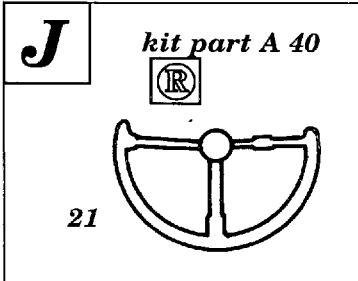
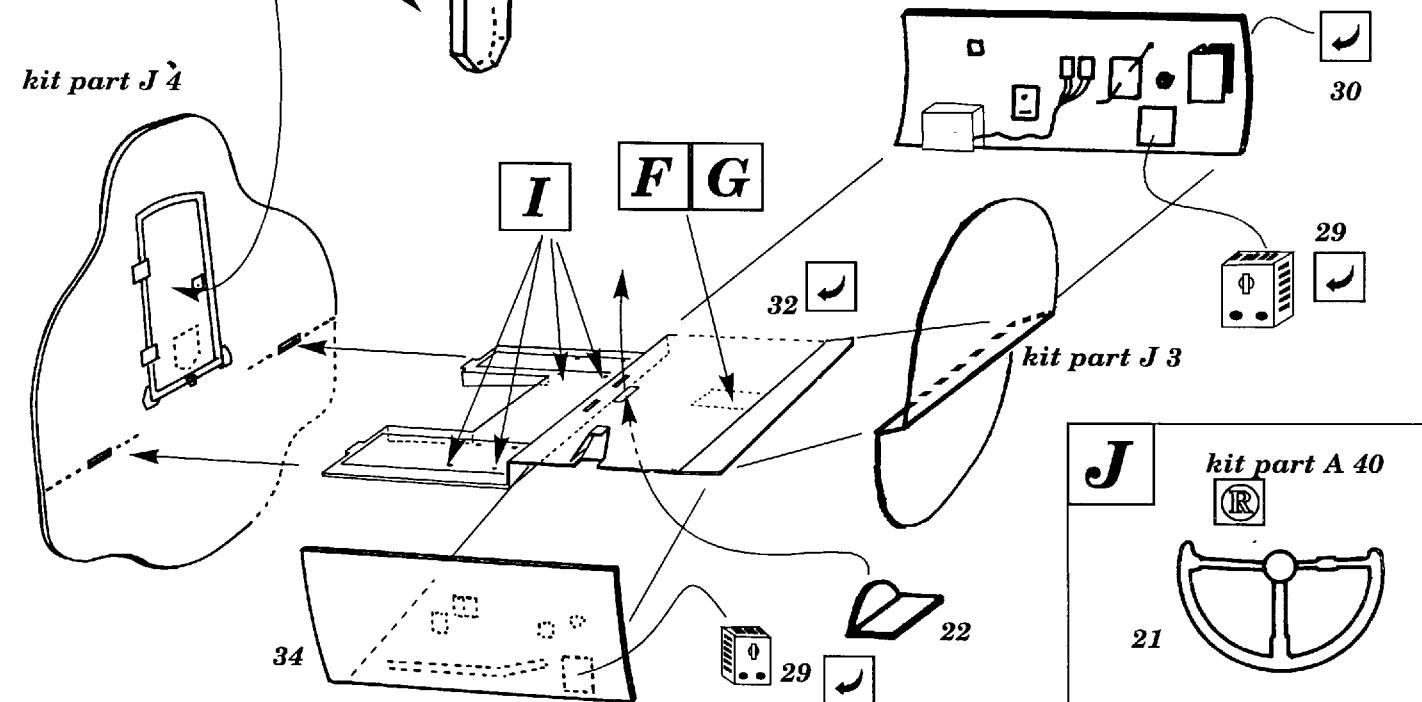
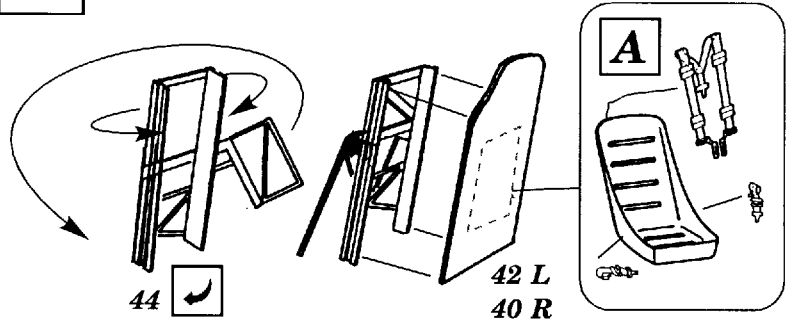
**G** INSTRUMENT PANEL



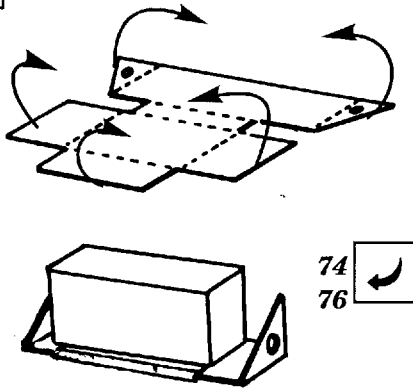
**H** PILOT COCKPIT INTERIOR



**I** PILOT SEAT, FRAME and ARMOURED PLATES

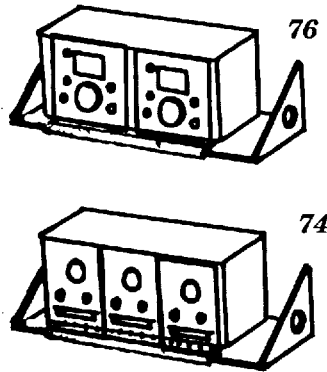
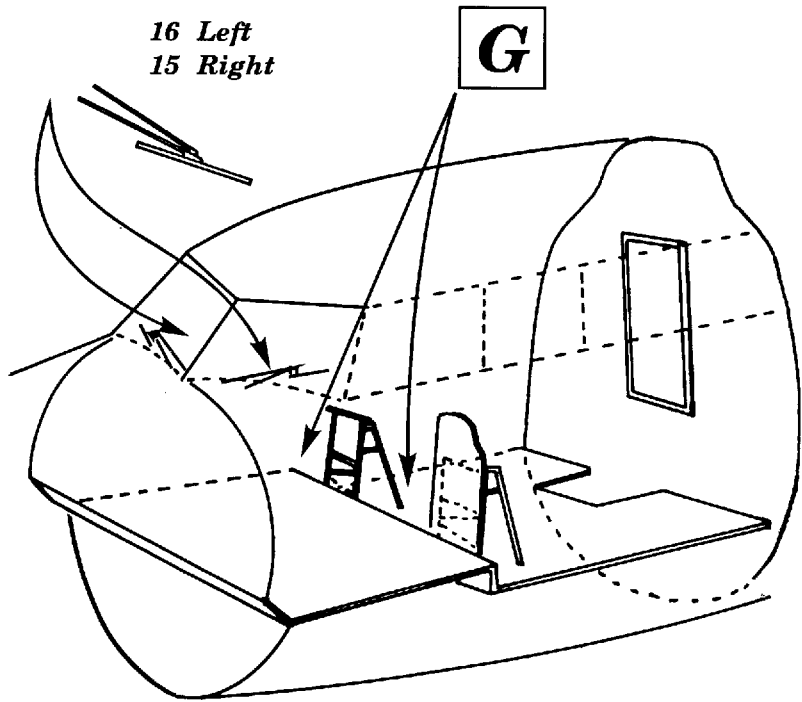


**K**

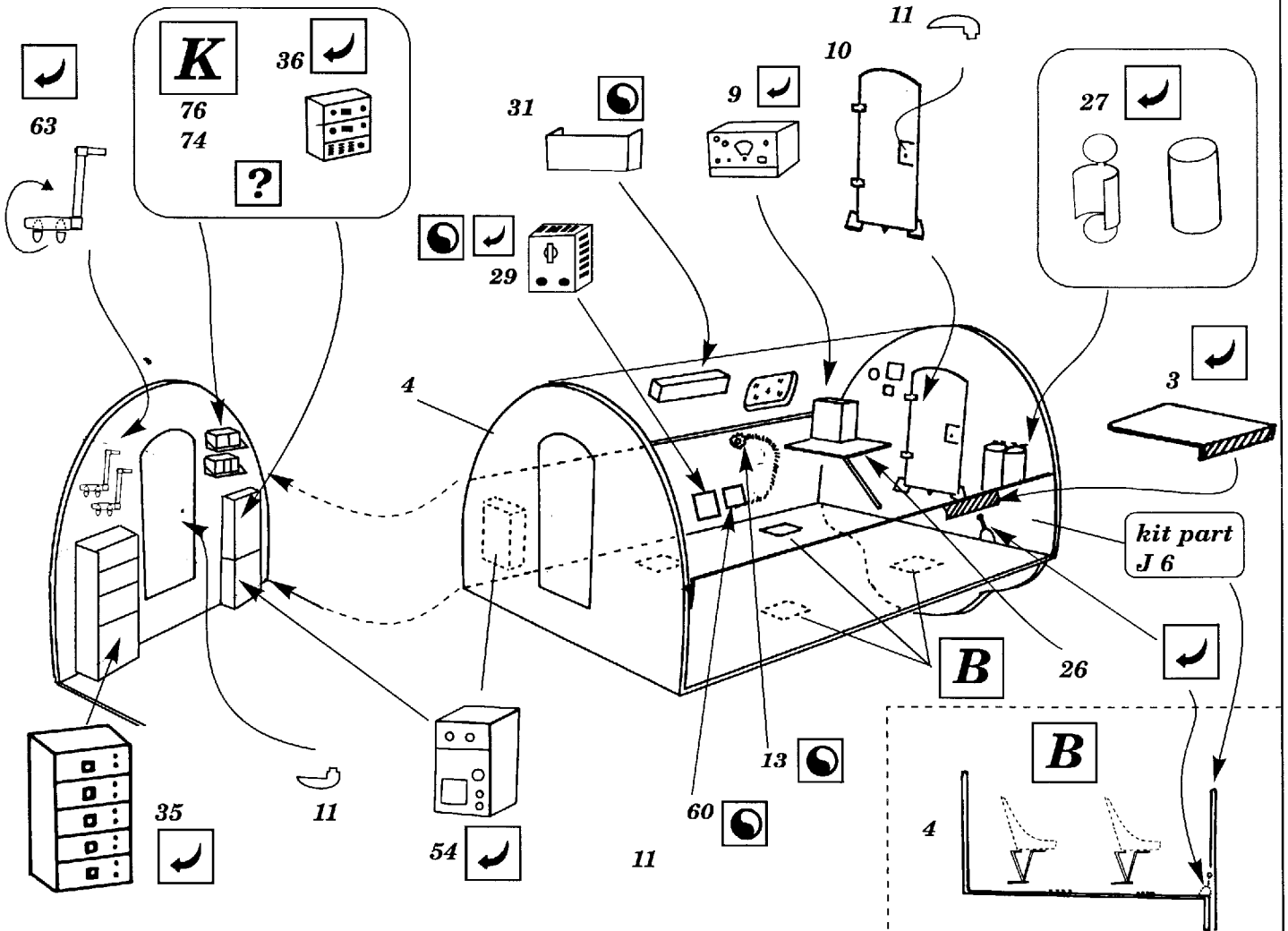


**L**

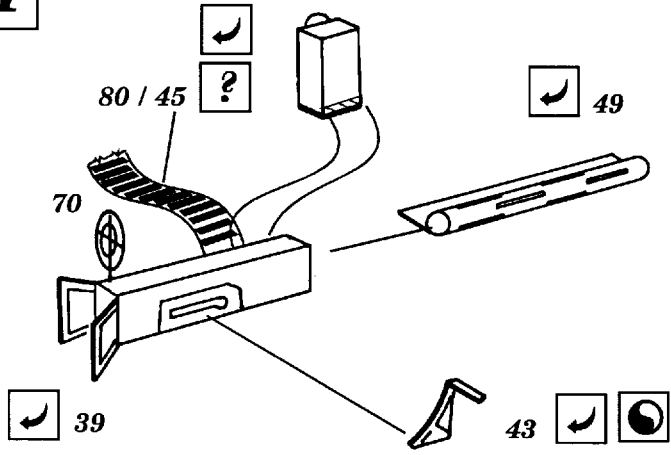
**PILOT COCKPIT**



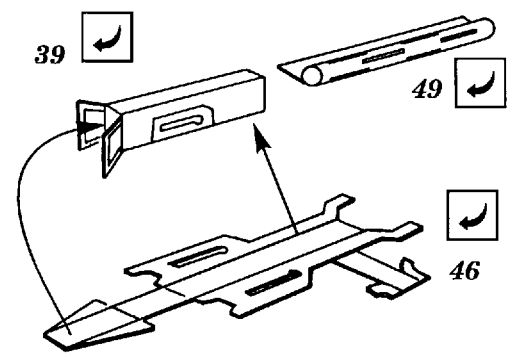
**RADIO COMPARTMENT**



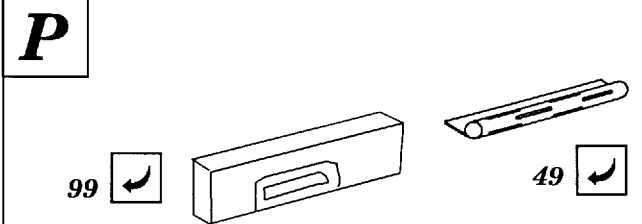
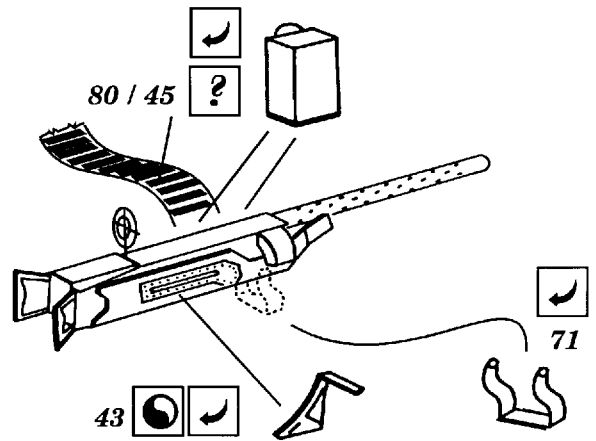
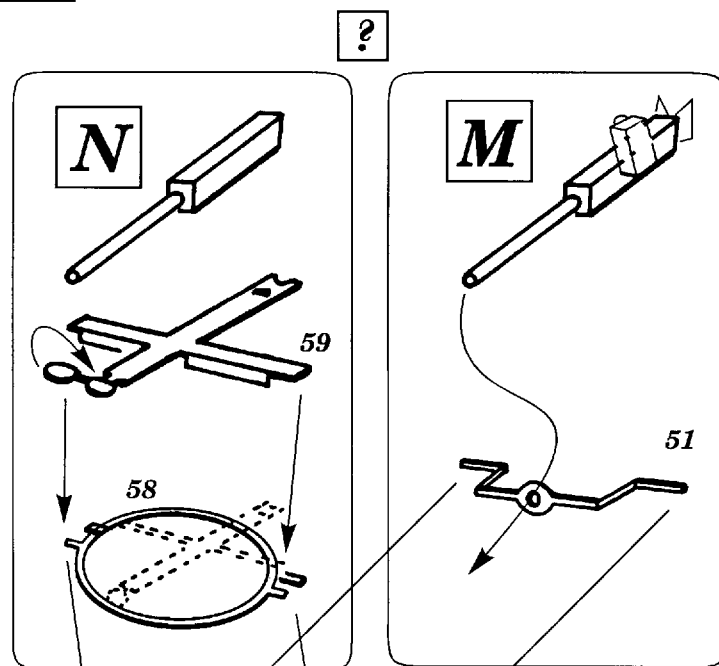
**M** MACHINE GUN ASSEMBLY



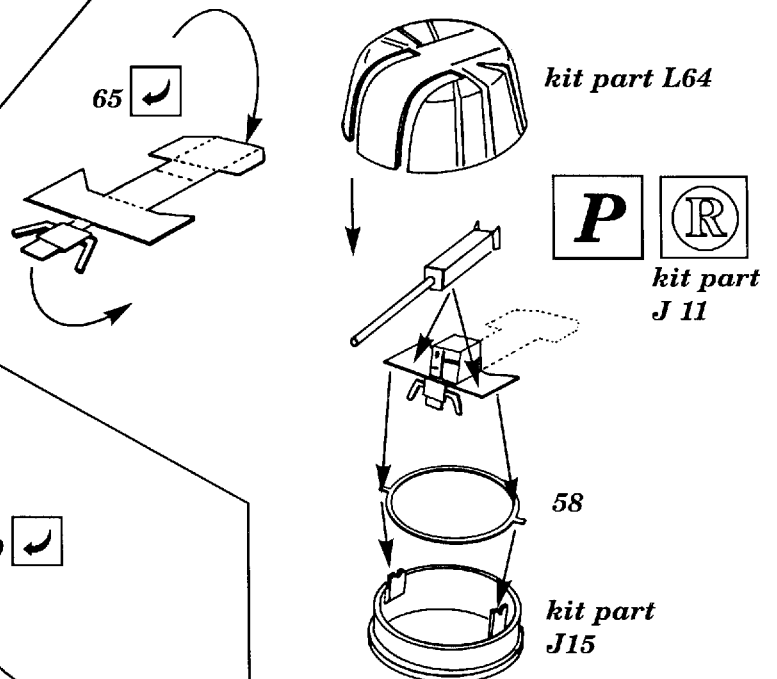
**N** MACHINE GUN ASSEMBLY



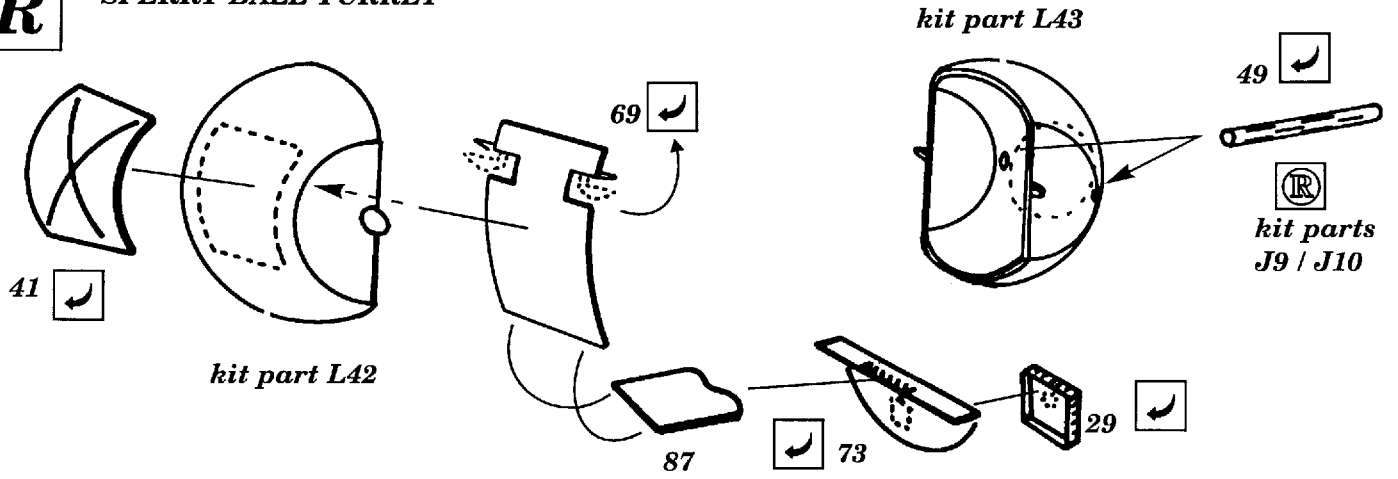
**O** MACHINE GUN MOUNT INSTALATION / RADIO ROOM/



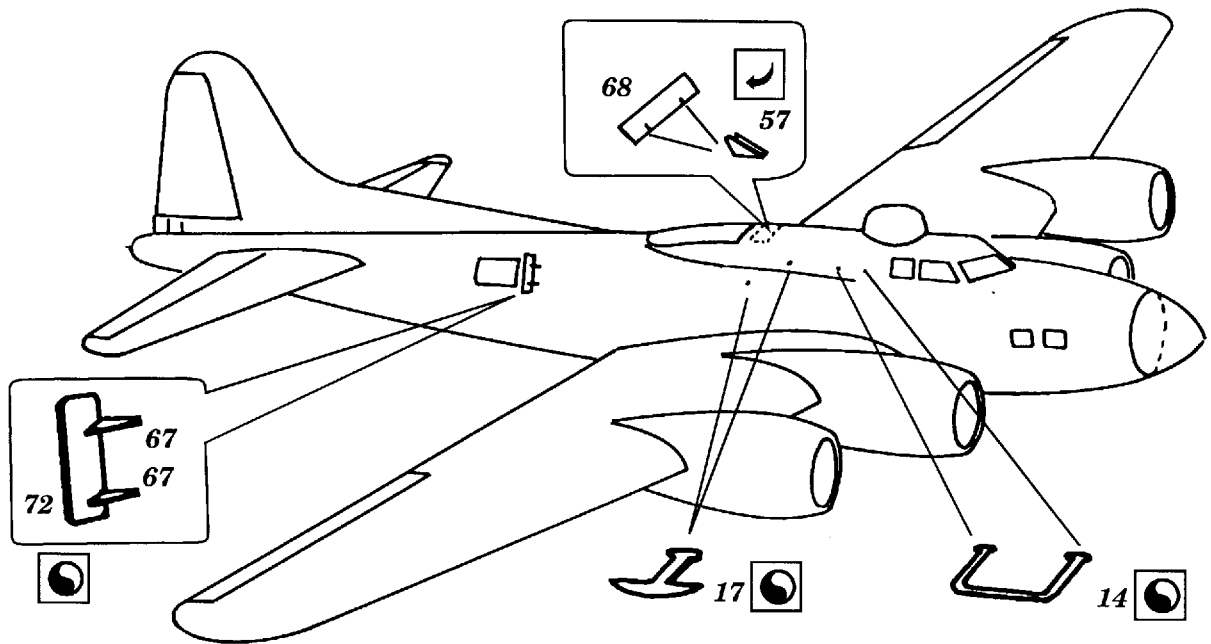
**Q** UPPER TURRET



**R** SPERRY BALL TURRET



**S** EXTERIOR DETAILS



WAIST GUNNERS' COMPARTMENT

TAIL GUNS

