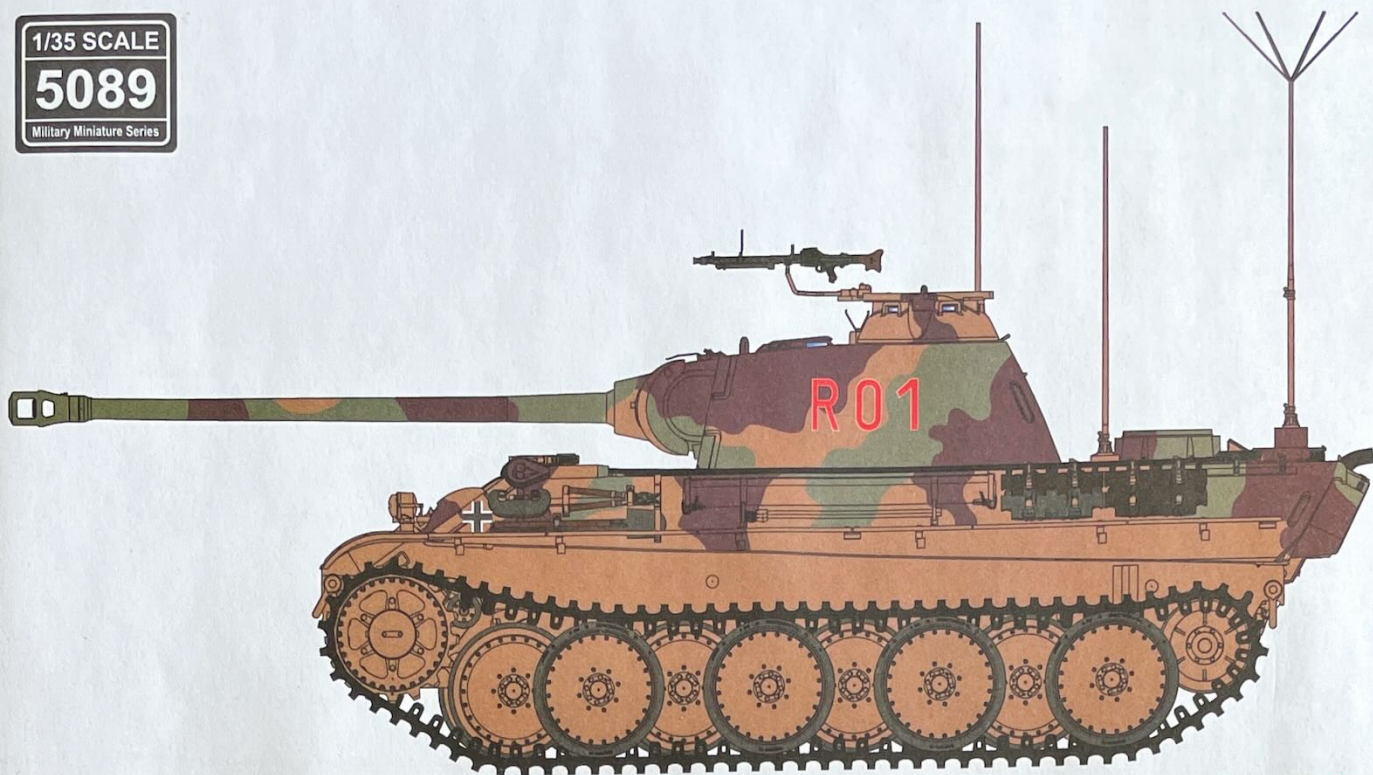


1/35 SCALE
5089
 Military Miniature Series



RFM
 RYEFIELD MODEL®

Panzerbefehlswagen Panther Ausf.G

ASSEMBLY ICONS



OPTIONAL
 选择



CEMENT
 膠水



DO NOT CEMENT
 不使用膠水



INSTANT CEMENT
 瞬間接著劑



BEND
 彎折



MAKE 2
 製作2組



OPEN HOLE
 鑽孔



REMOVE
 切除



BE CAREFUL
 注意



APPLY DECAL
 貼上水貼紙

CAUTION!

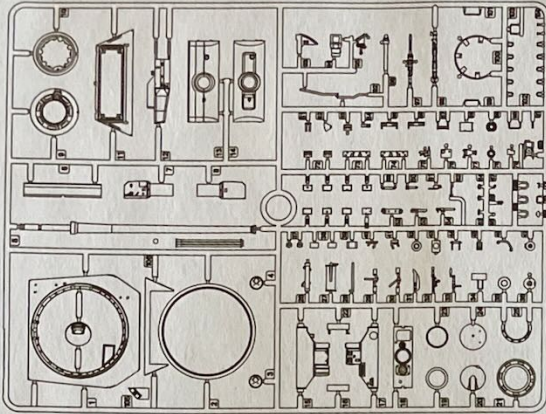
RM-5089 Panzerbefehlswagen"Panther" Ausfuehrung G

Read carefully and fully understand the instructions before commencing assembly.
 Supervising adult should also read the instructions if a child assembles the model.
 When you used glue or paint, do not use near a naked flame, and use in a well-ventilated room.
 When assembling this kit, tools including knives are used. Extra care should be taken to avoid personal injury.
 Read and follow the instructions supplied with paints and/ or cement. Use plastic cement and paints only.
 Keep out of reach of small children. Children must not be allowed to suck any part, or pull vinyl bag over the head.

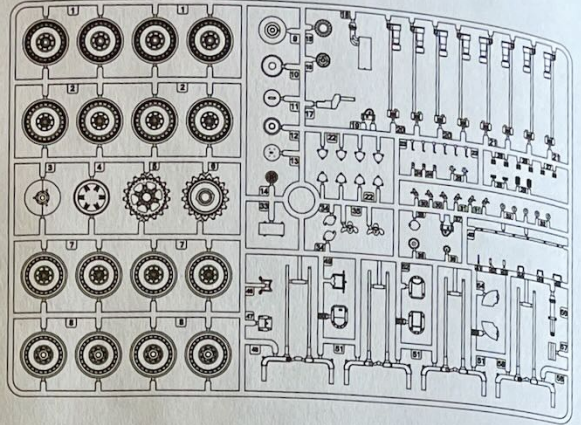
在裝配前仔細閱讀說明並完全理解。小孩裝配時需成人看護且需仔細閱讀說明。
 使用膠水和油漆時，應遠離火源並打開窗戶保持空氣流通。
 製作時請格外注意工具刀和零件的鋒利尖銳部分，避免對身體造成傷害。
 在使用膠水和油漆前仔細閱讀注意事項，按照說明正確使用膠水和油漆。
 請將本品放在兒童接觸不到的地方，套件中的塑膠包裝袋會對兒童造成窒息的危險。

PARTS 部品图

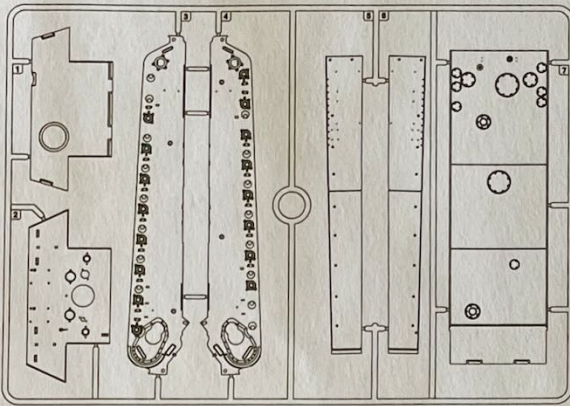
A x 1



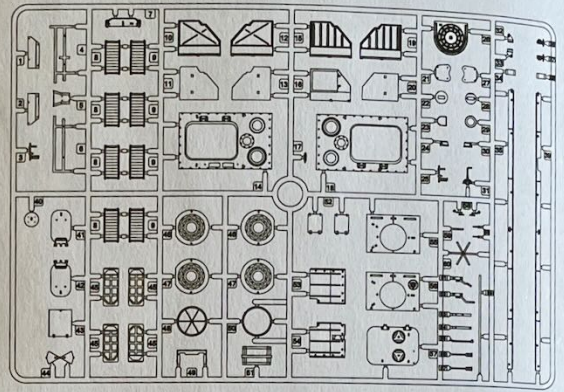
C x 2



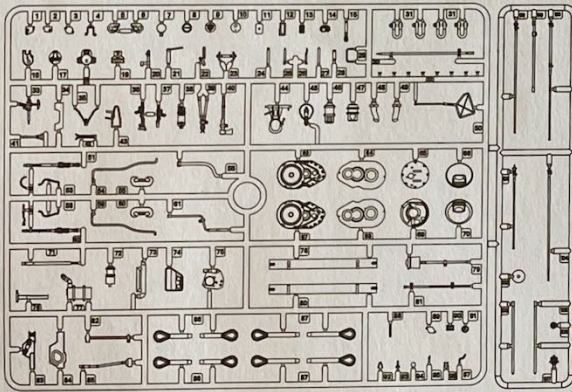
F x 1



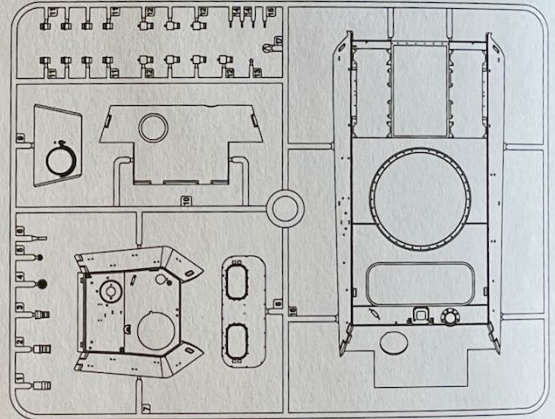
G x 1



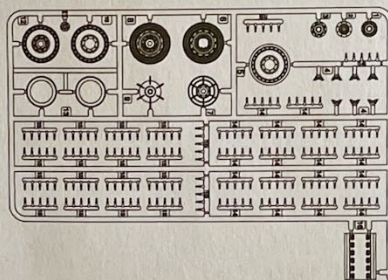
J x 1



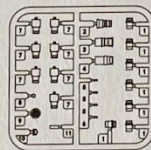
L x 1



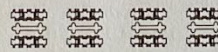
X x 2



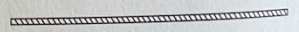
T x 1



Track Links X200



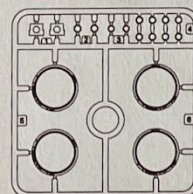
Metal Cable 140mm



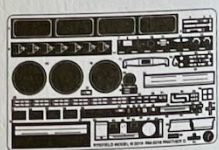
Decal



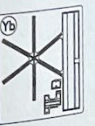
P x 1

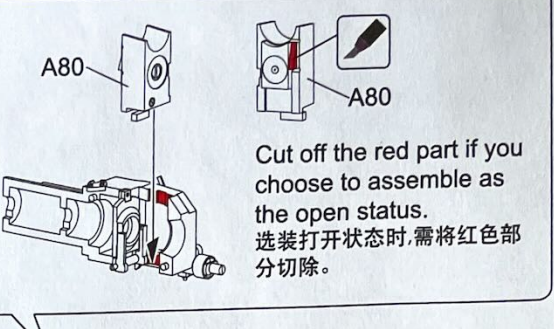
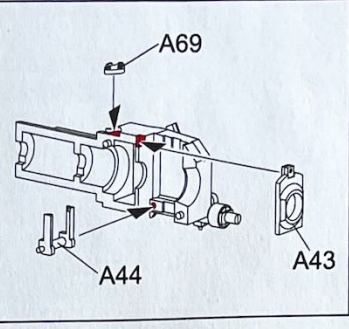
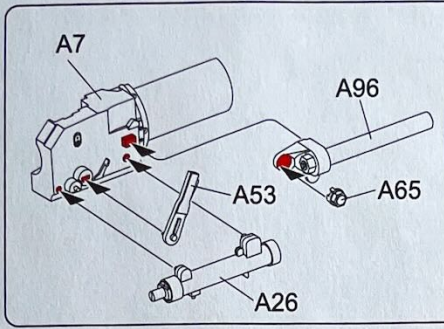


Y x 1

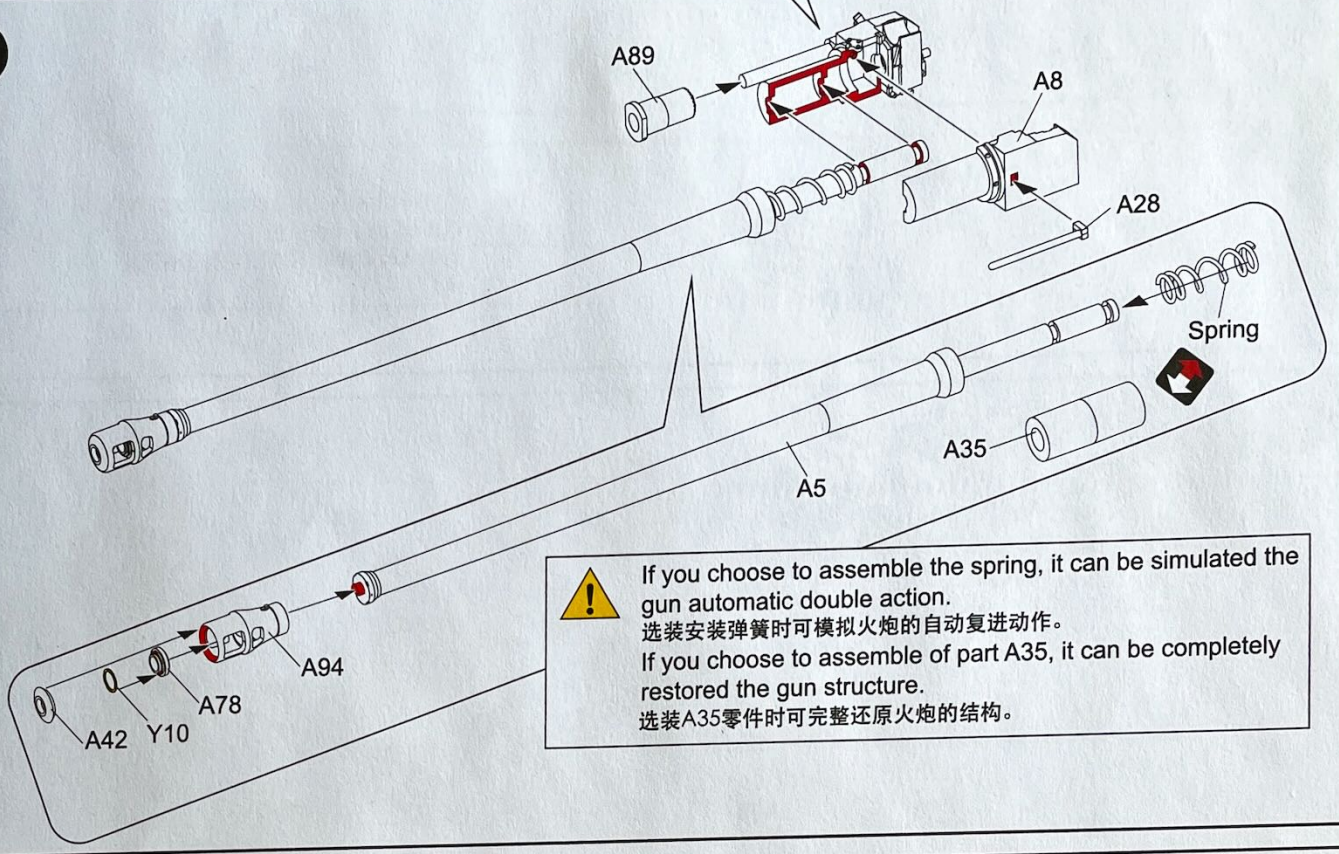


Y x 1



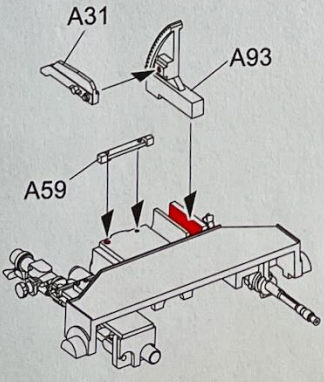
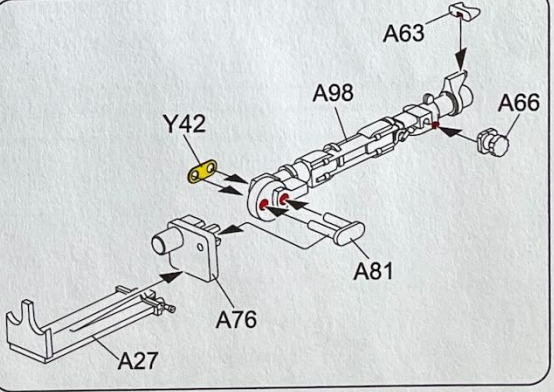
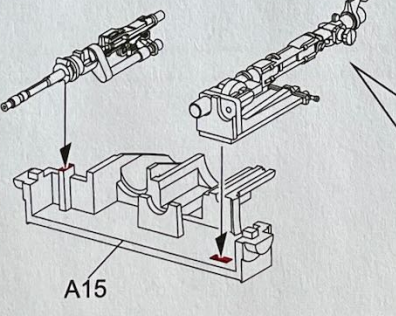
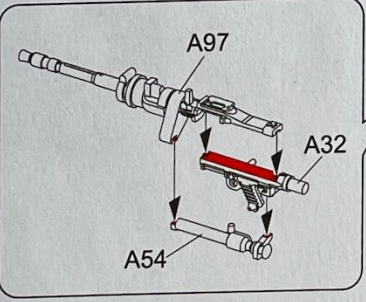


1

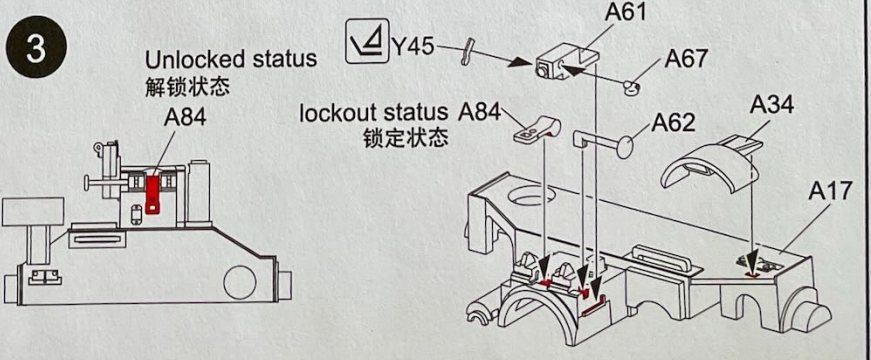


! If you choose to assemble the spring, it can be simulated the gun automatic double action.
 选装安装弹簧时可模拟火炮的自动复进动作。
 If you choose to assemble of part A35, it can be completely restored the gun structure.
 选装A35零件时可完整还原火炮的结构。

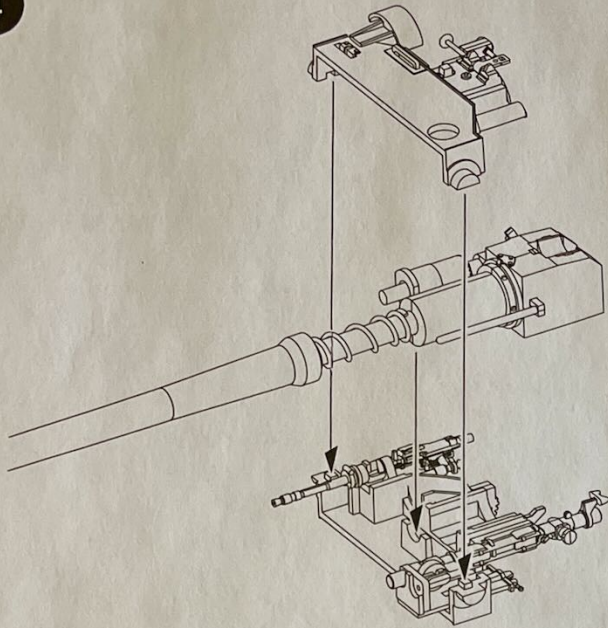
2



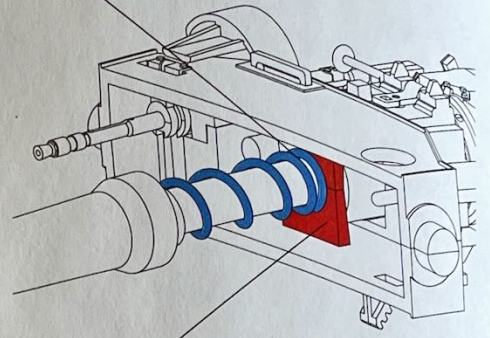
3



4

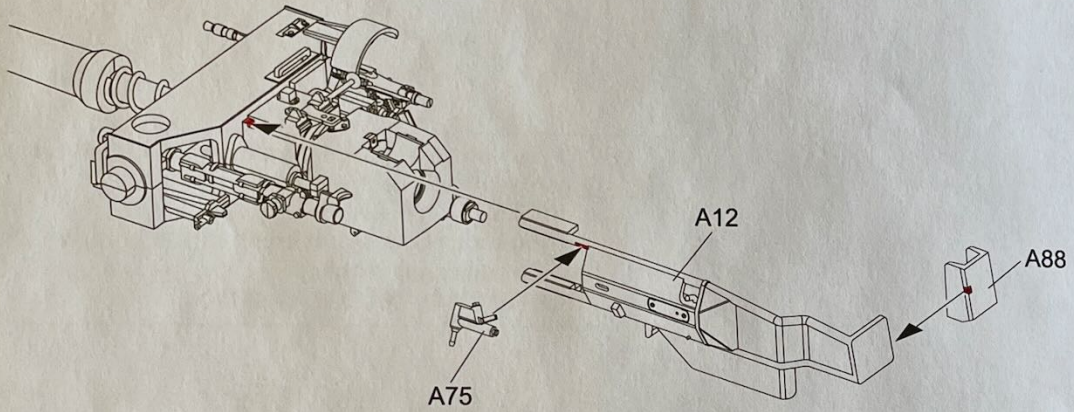


Spring assembly position.
 弹簧的安装位置。

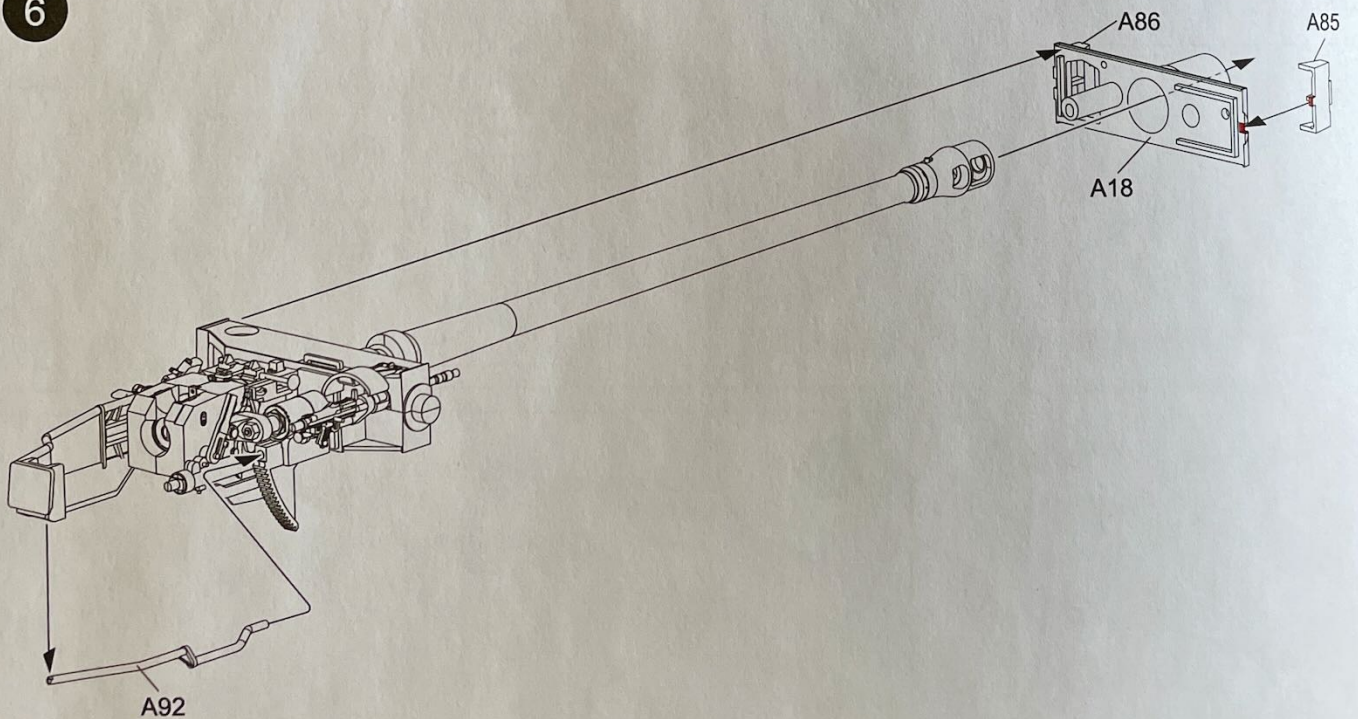


! If you choose to assemble part A35,
 cut off the red part.
 选装A35零件时,需将红色部分切除。

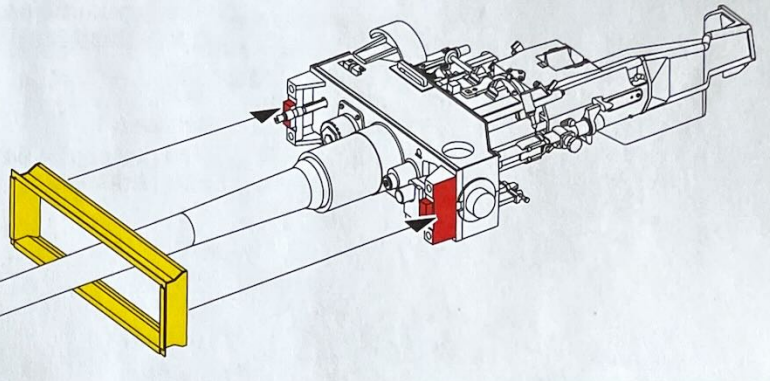
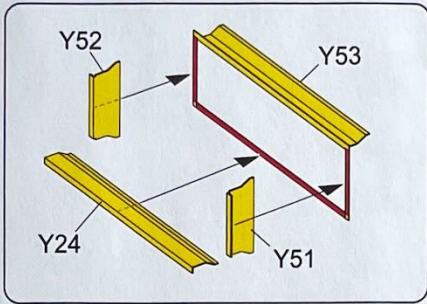
5



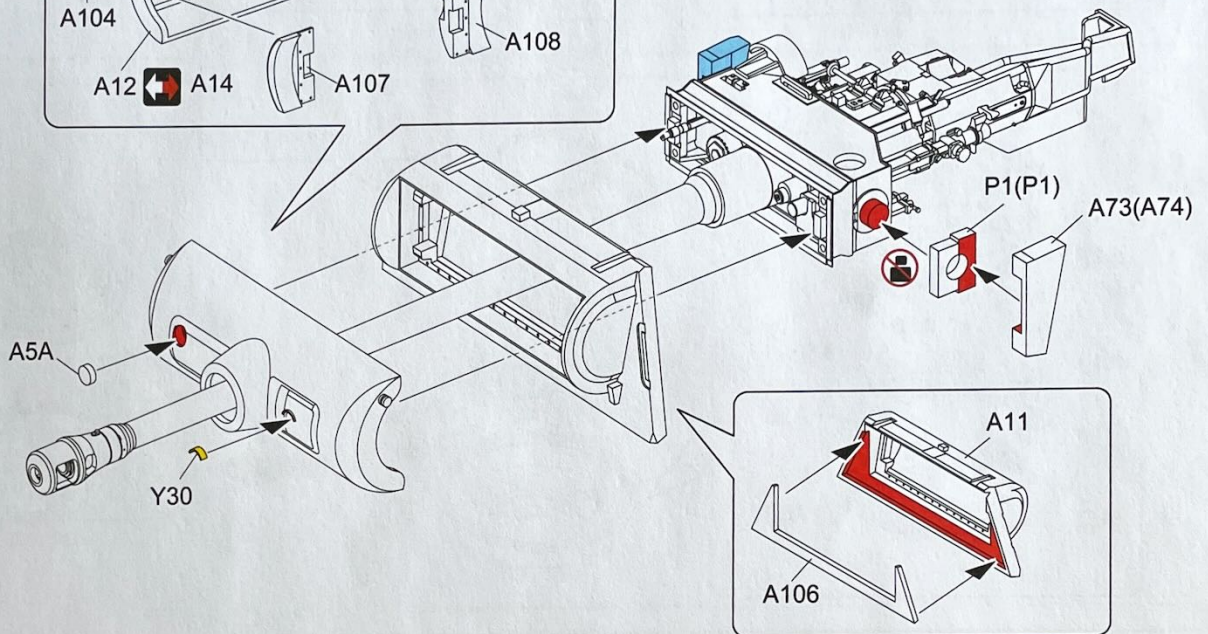
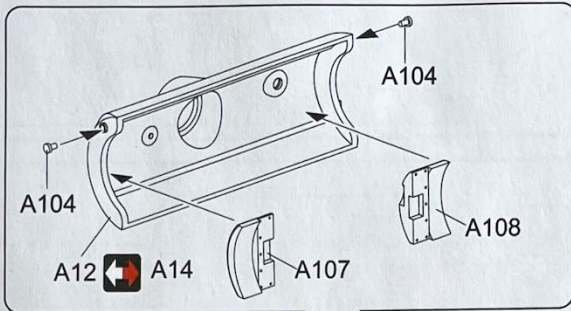
6



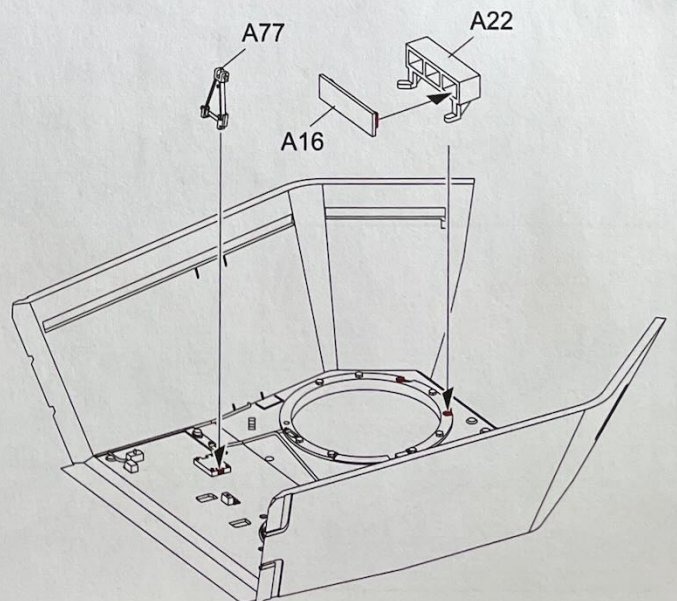
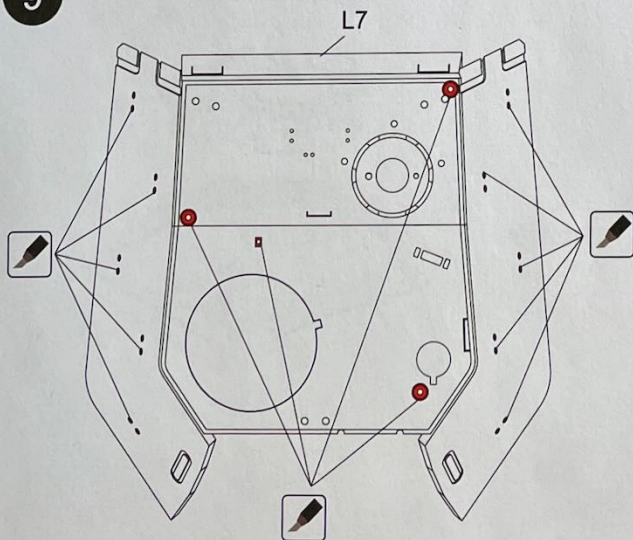
7



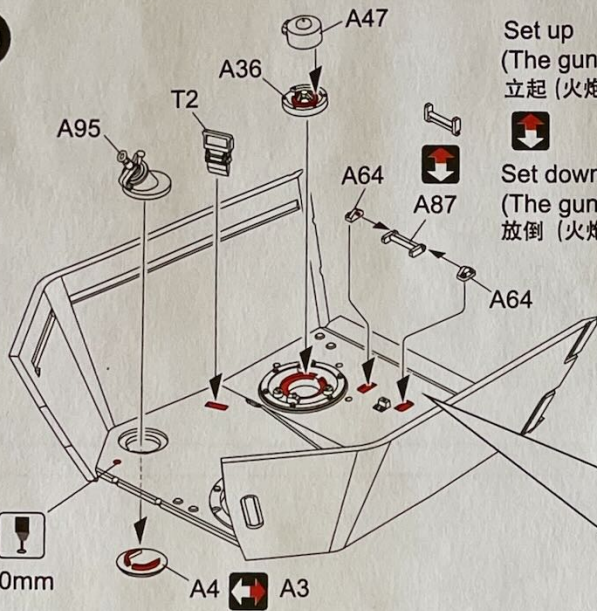
8



9

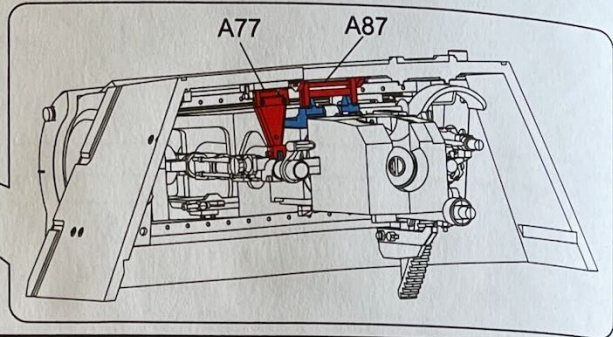


10

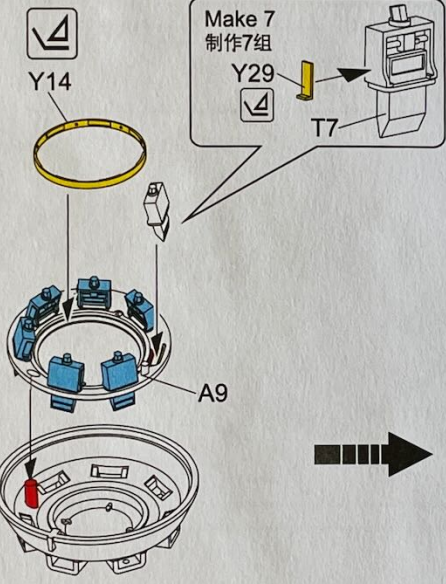
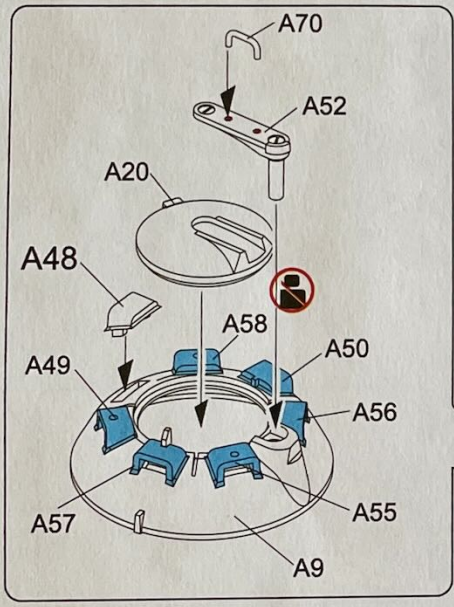


Set up
(The gun can be pitched locking)
立起 (火炮仰俯锁定)

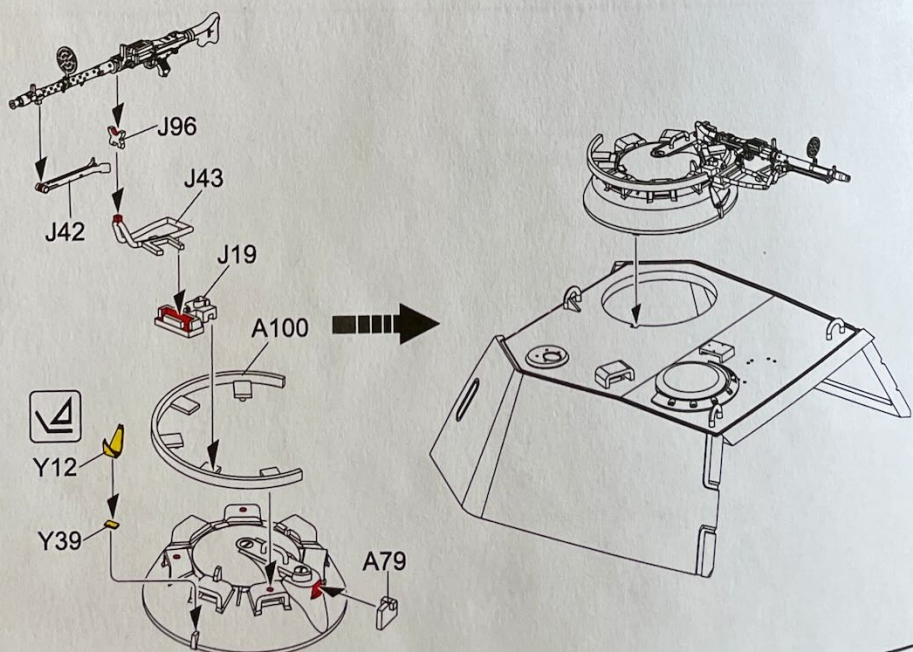
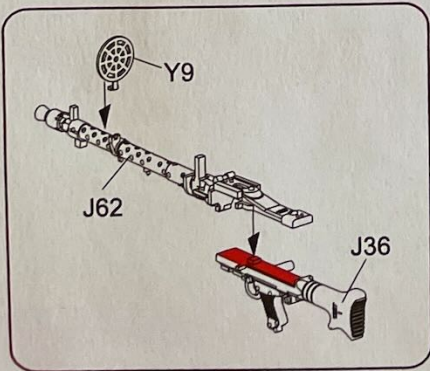
Set down
(The gun can be pitched unlock)
放倒 (火炮仰俯解锁)



11



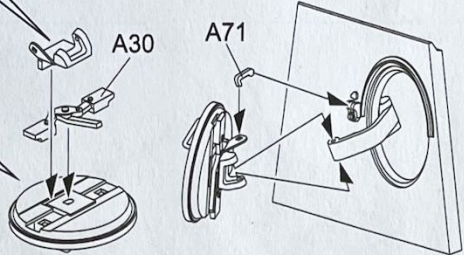
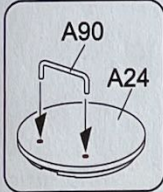
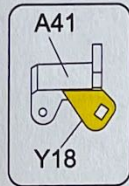
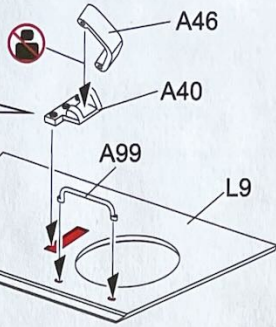
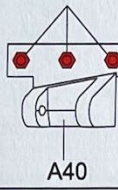
12



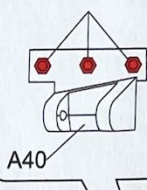
13

Open
打开

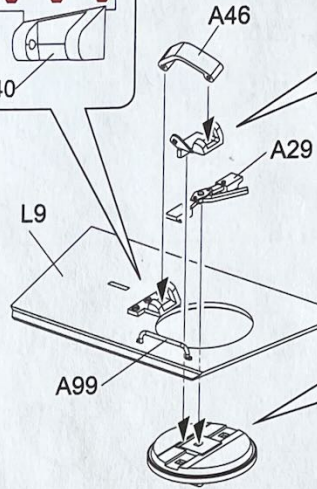
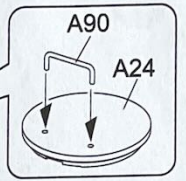
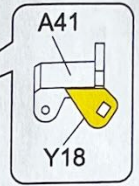
Cut out from the sprue A
从A版胶道上获取



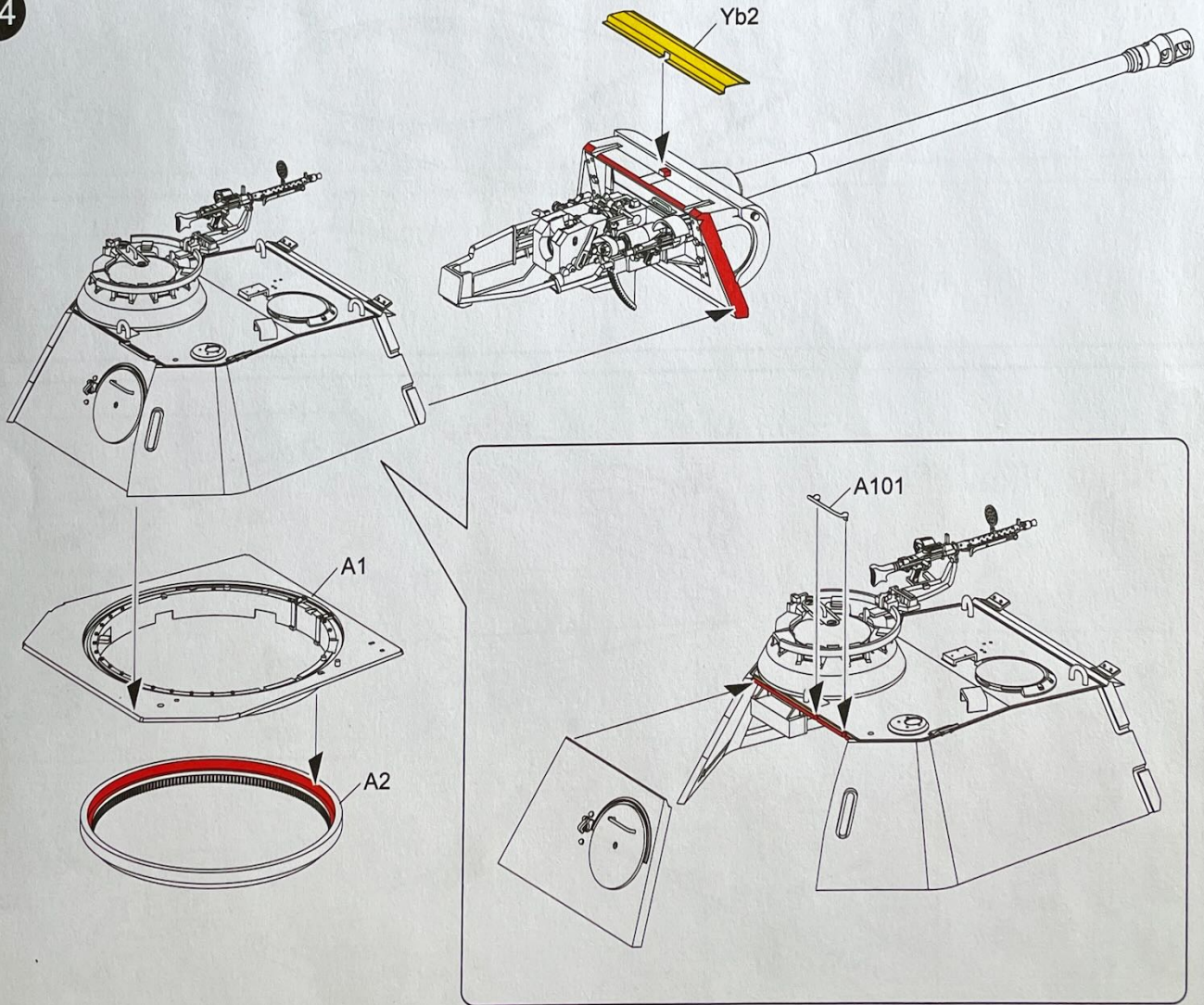
Cut out from the sprue A
从A版胶道上获取

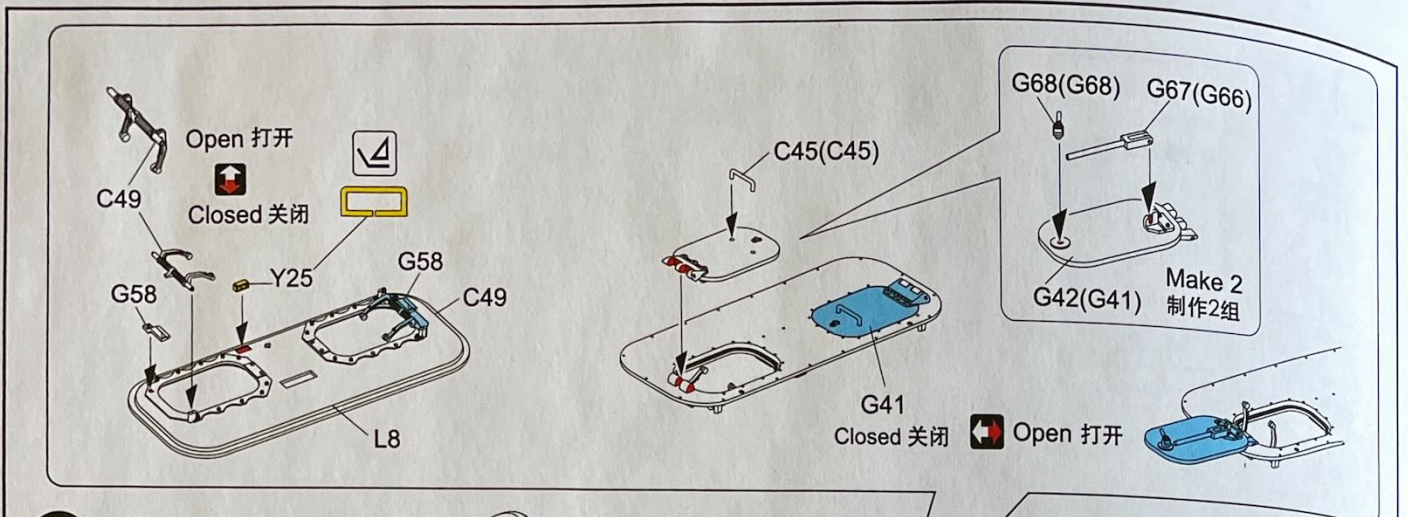


Closed
关闭

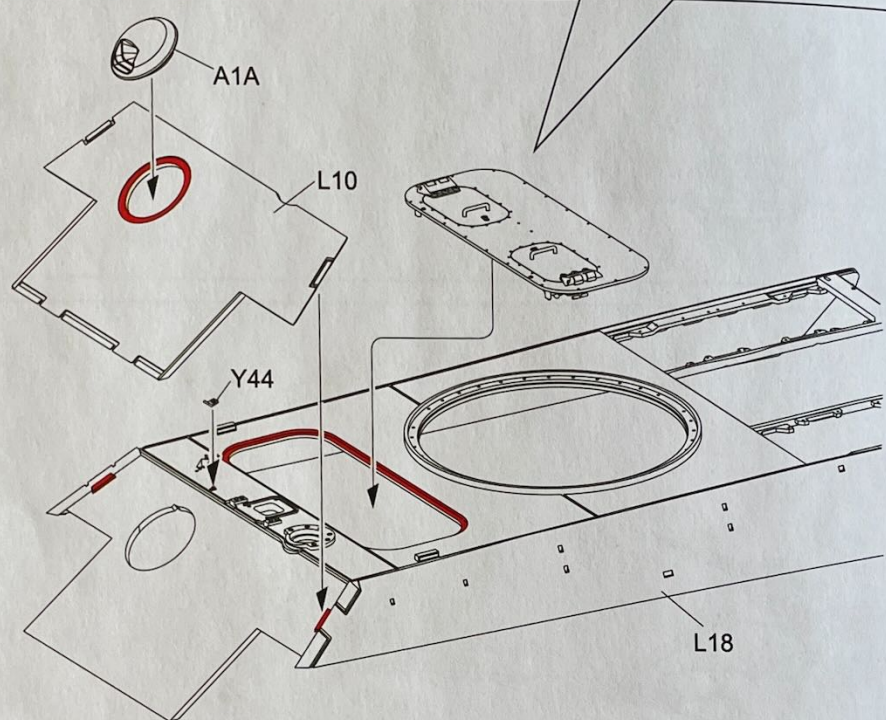


14

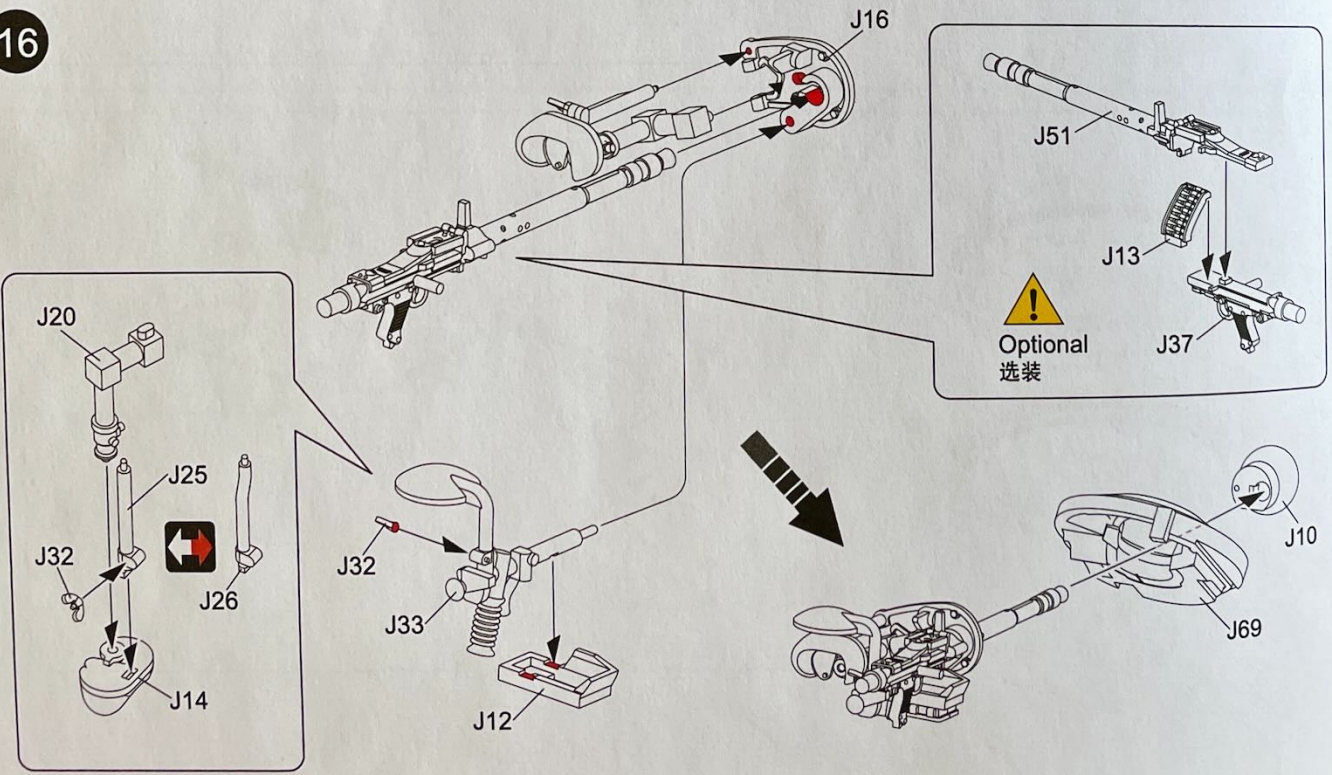


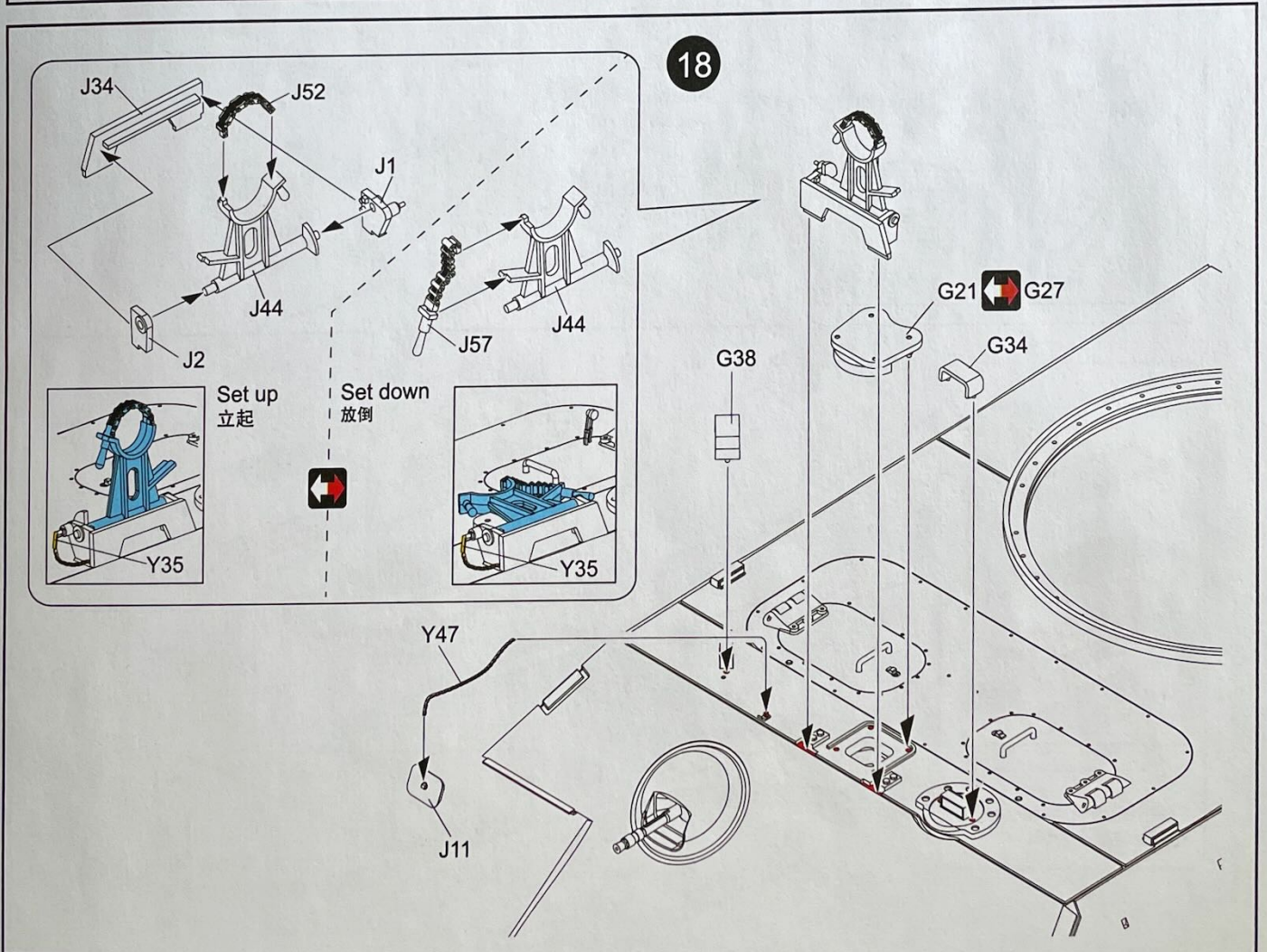
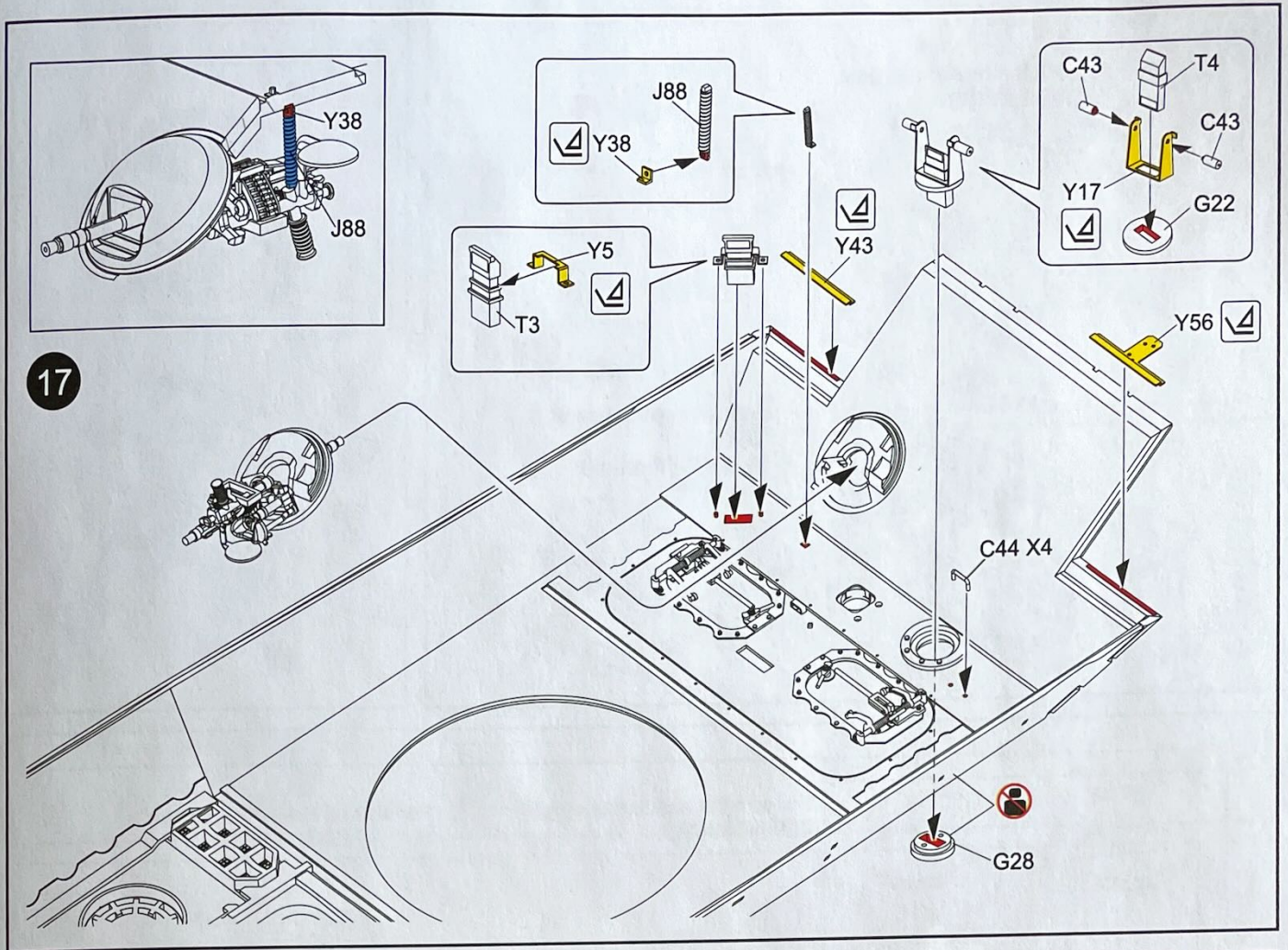


15



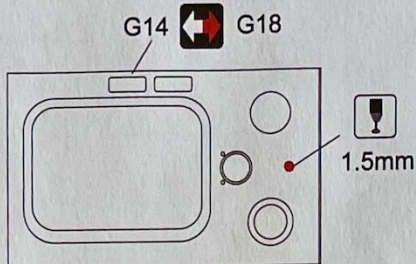
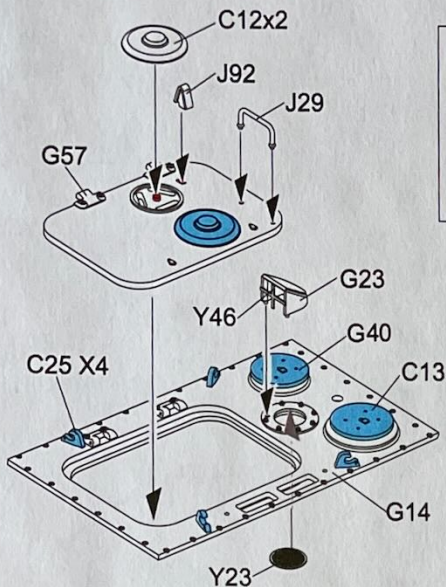
16



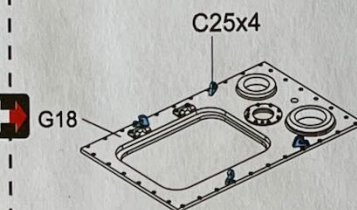
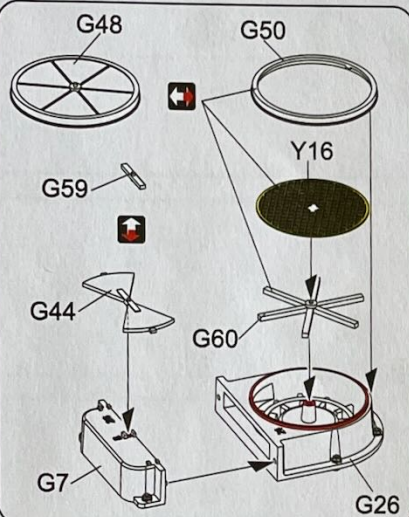
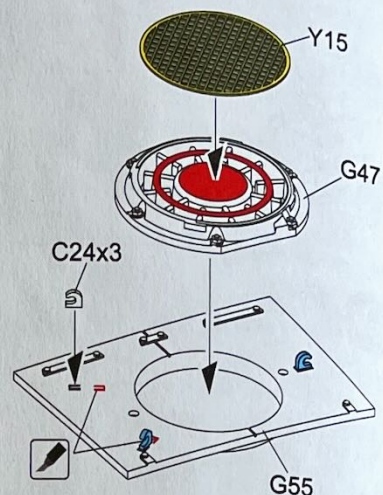


A1

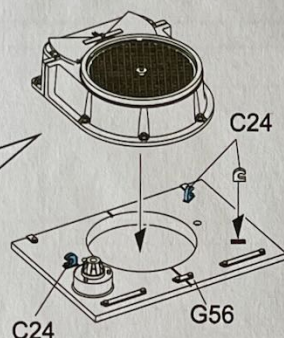
For with the heater use only.
仅适用于带加热装置。



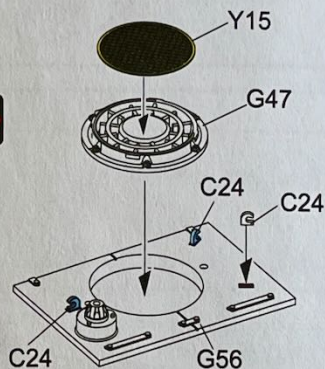
For without the heater
use only.
仅适用于不带加热装置。

**A2**

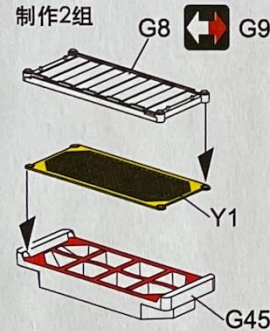
For with the heater use only.
适用于带加热装置。



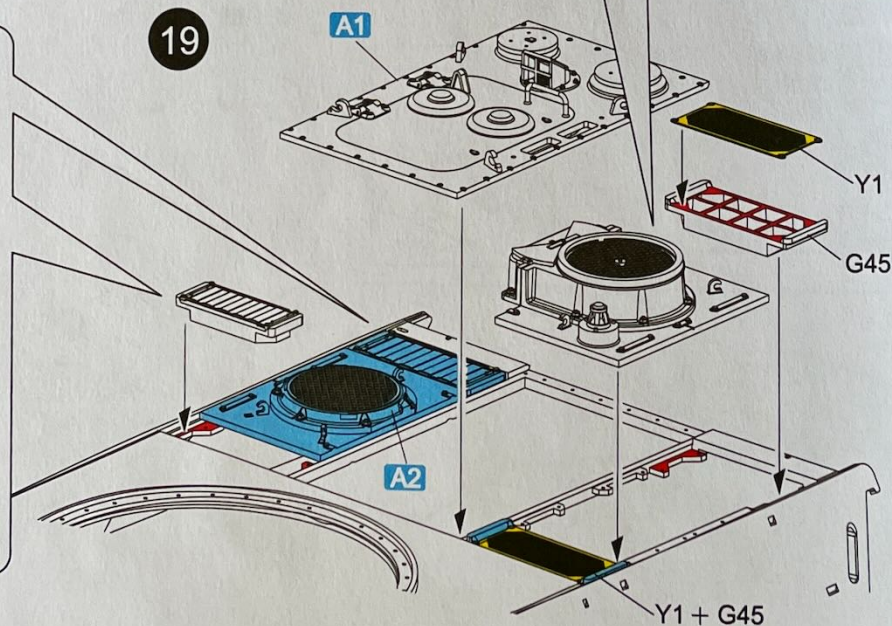
For without the heater use only.
适用于不带加热装置。



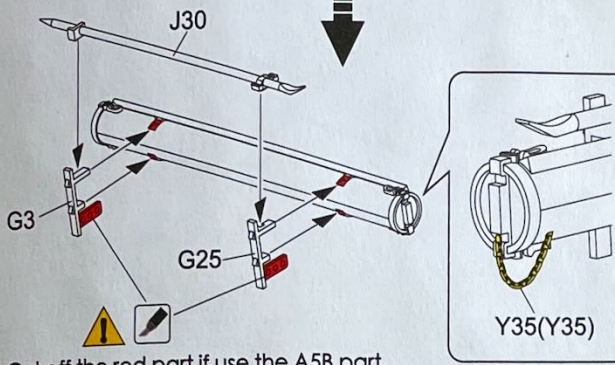
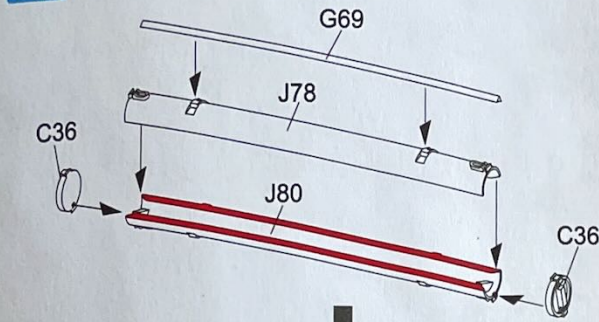
Make 2
制作2组



This ramp is outward.
此斜面装配在外侧。

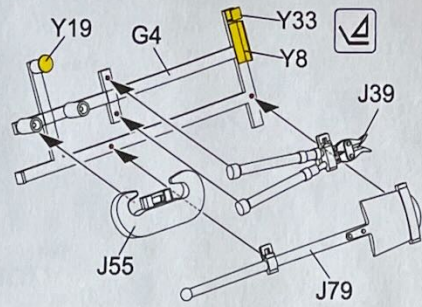
19

A3

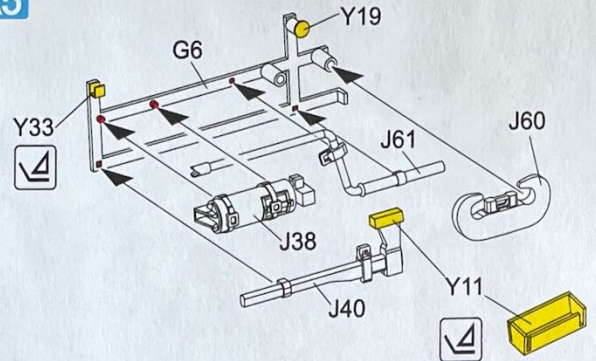


Cut off the red part if use the A5B part.

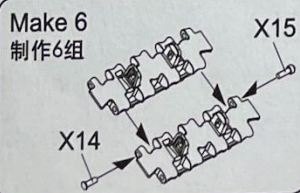
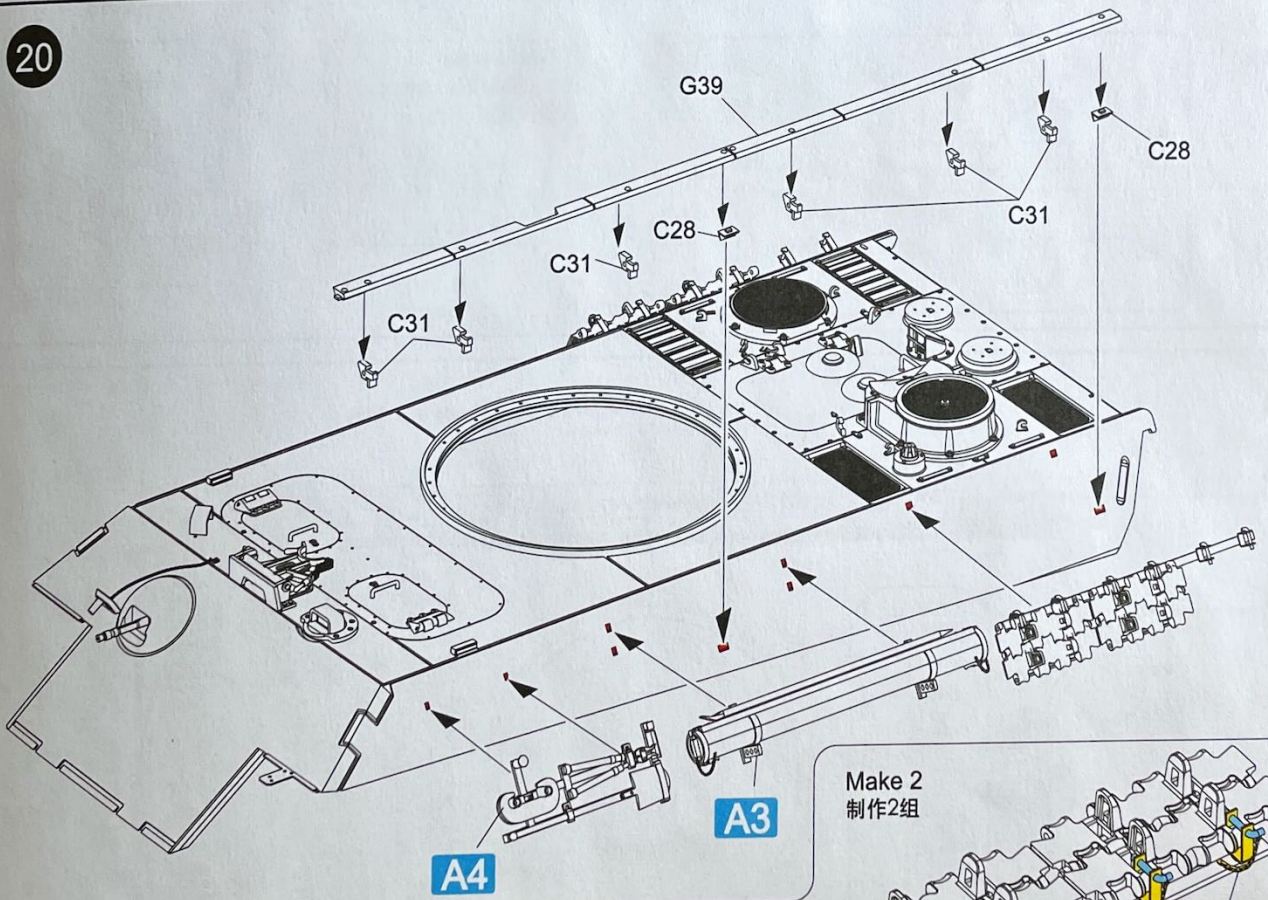
A4



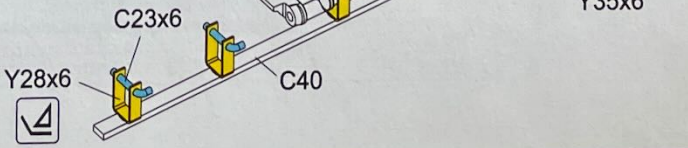
A5



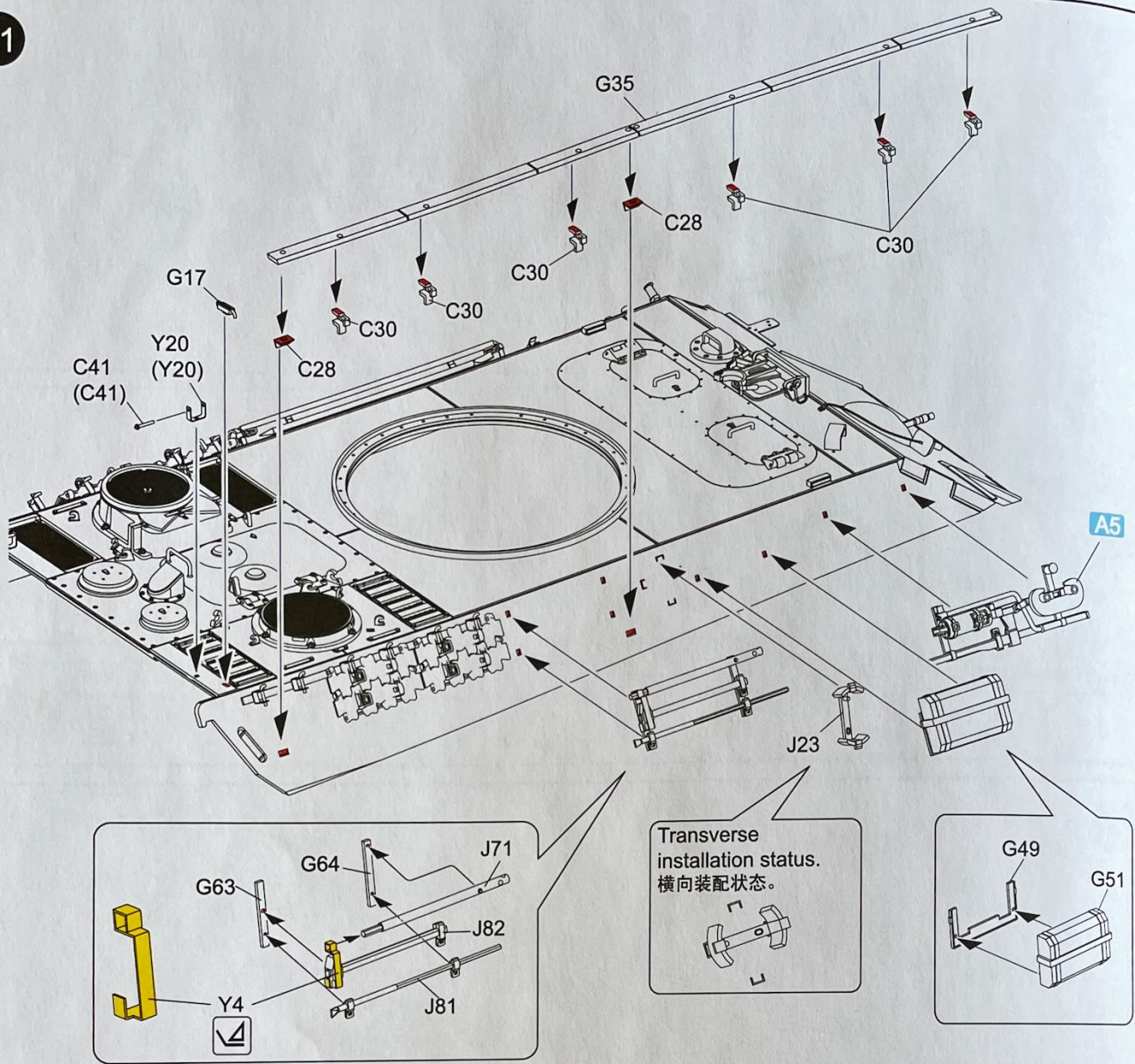
20



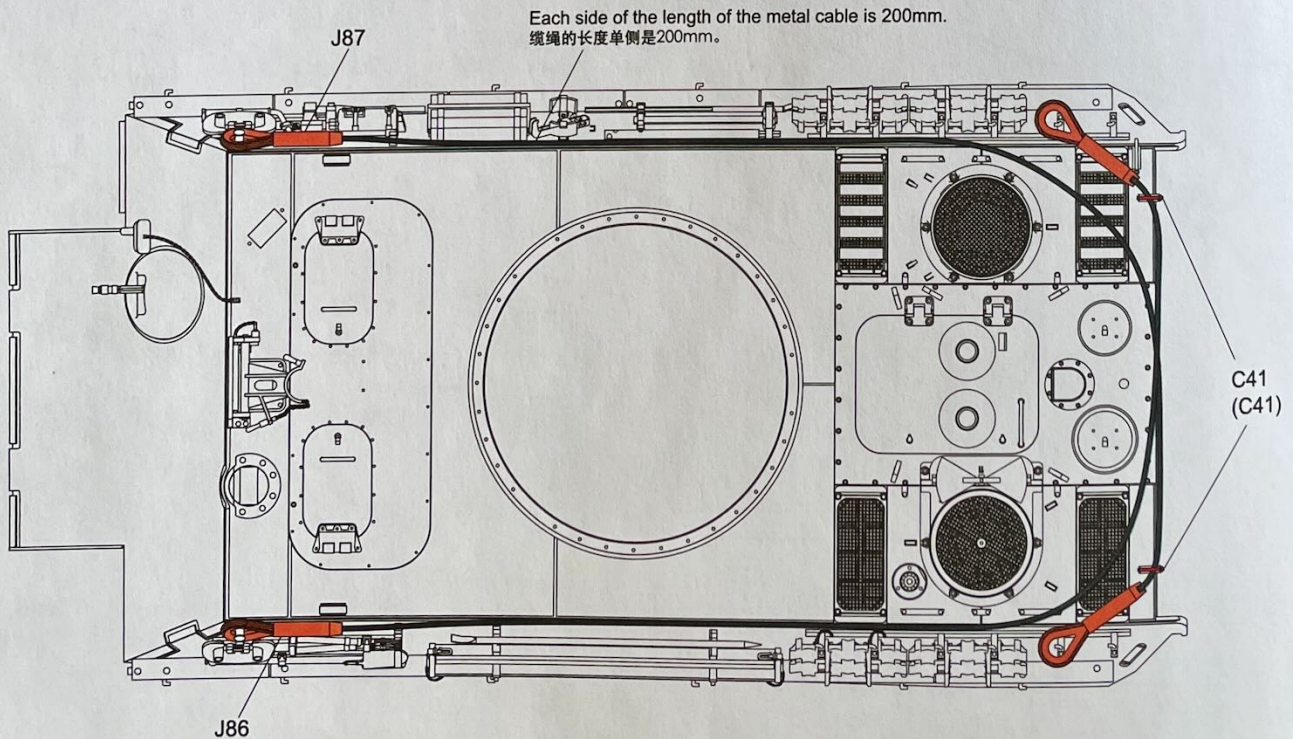
Make 2 制作2组



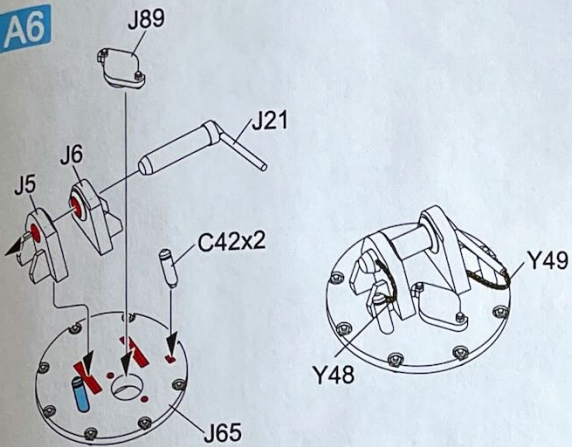
21



22

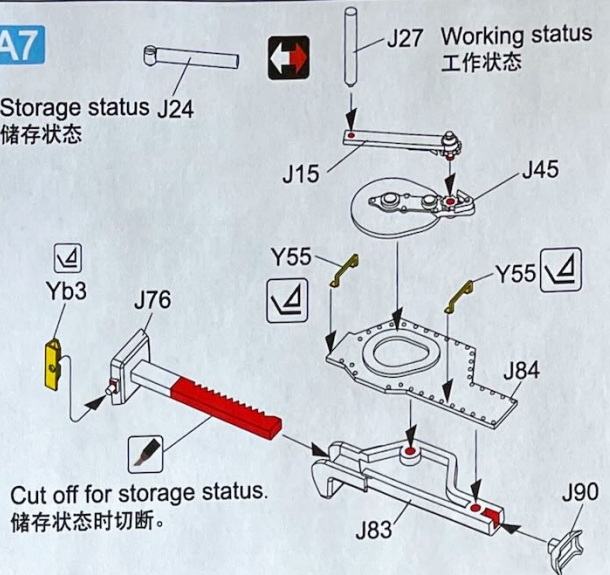


A6



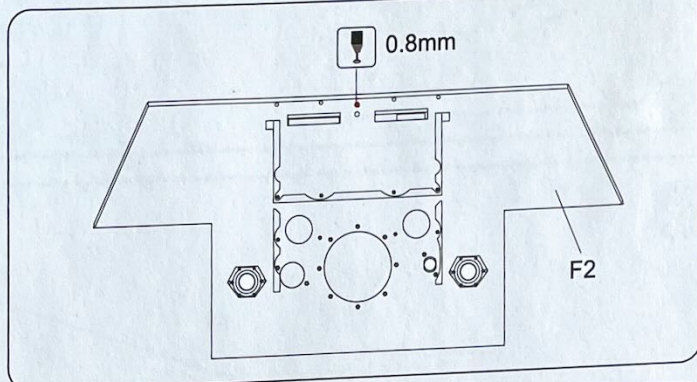
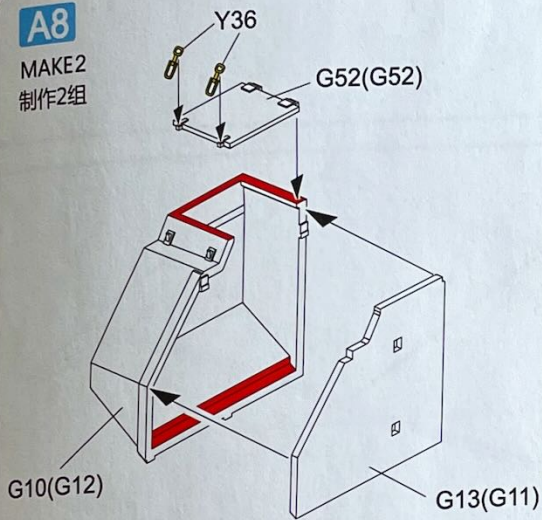
A7

Storage status J24
储存状态

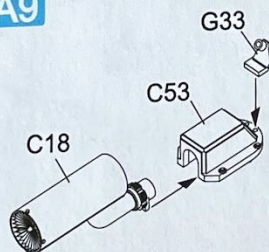


A8

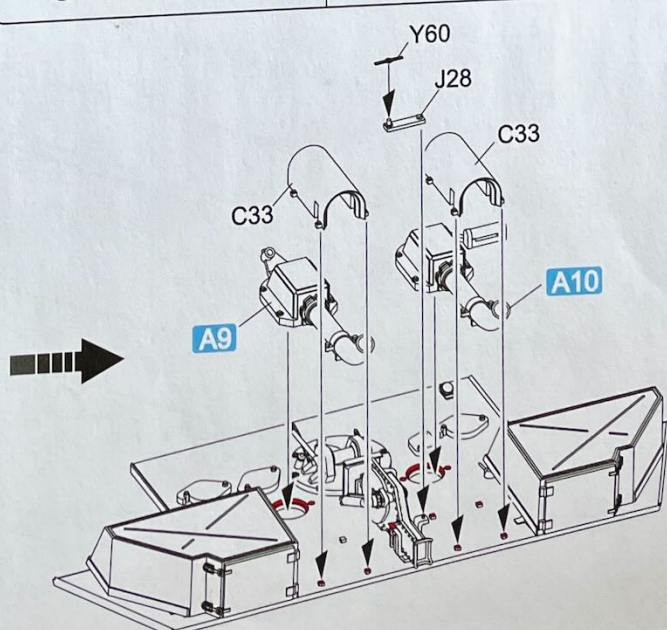
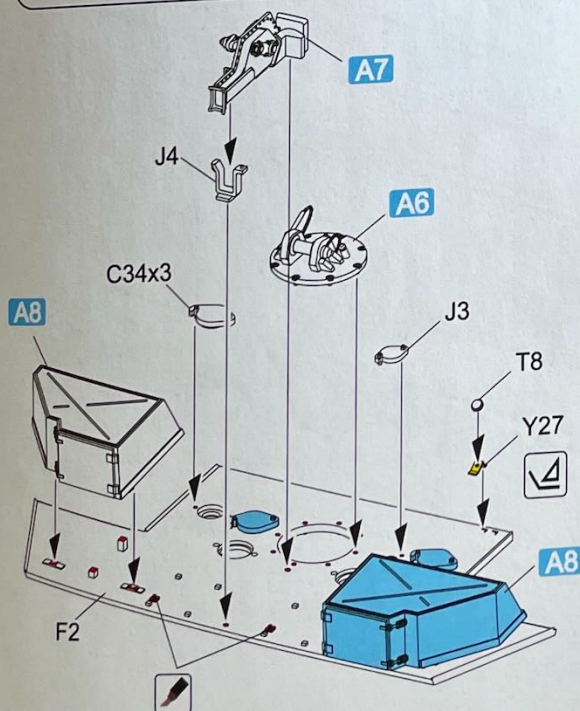
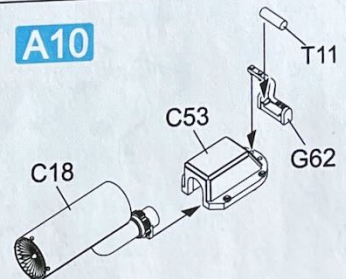
MAKE2
制作2组



A9

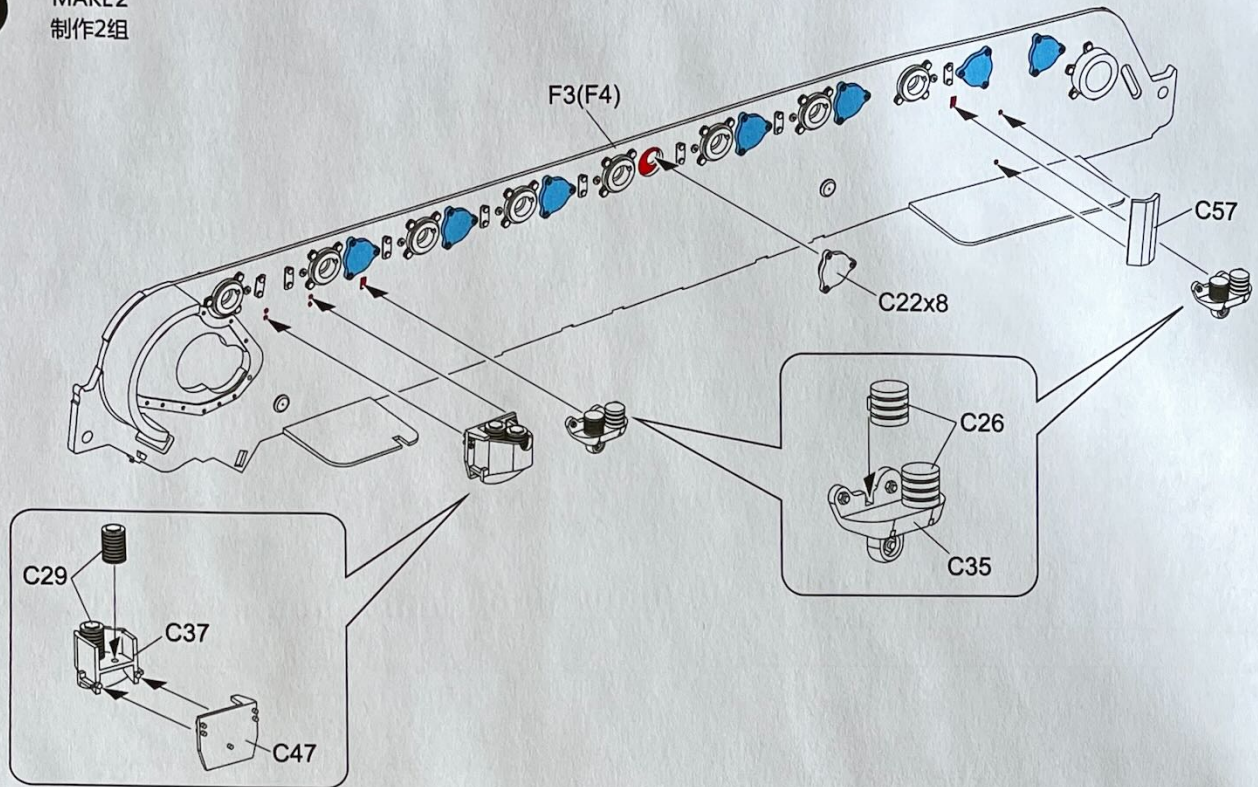


A10

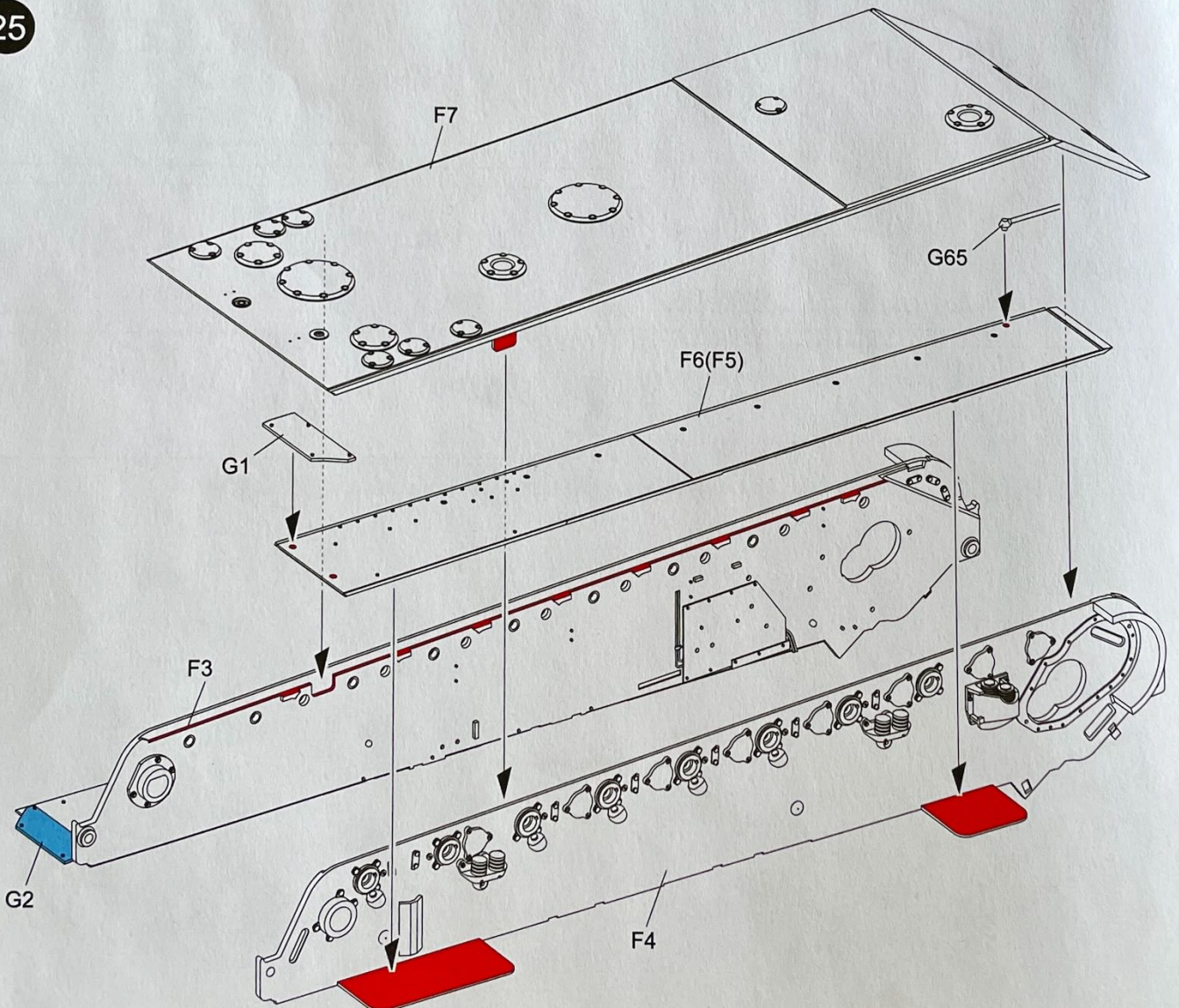


24

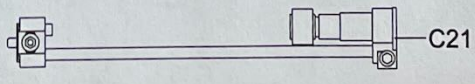
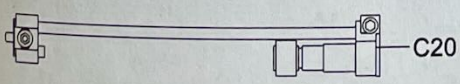
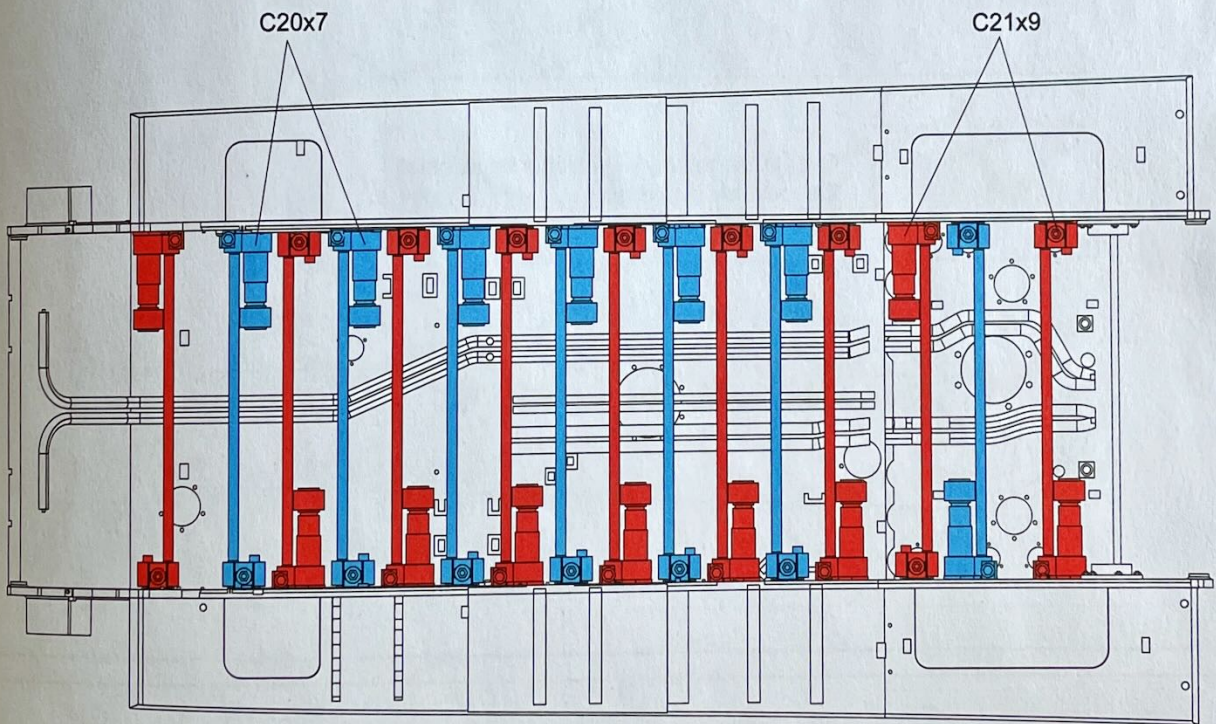
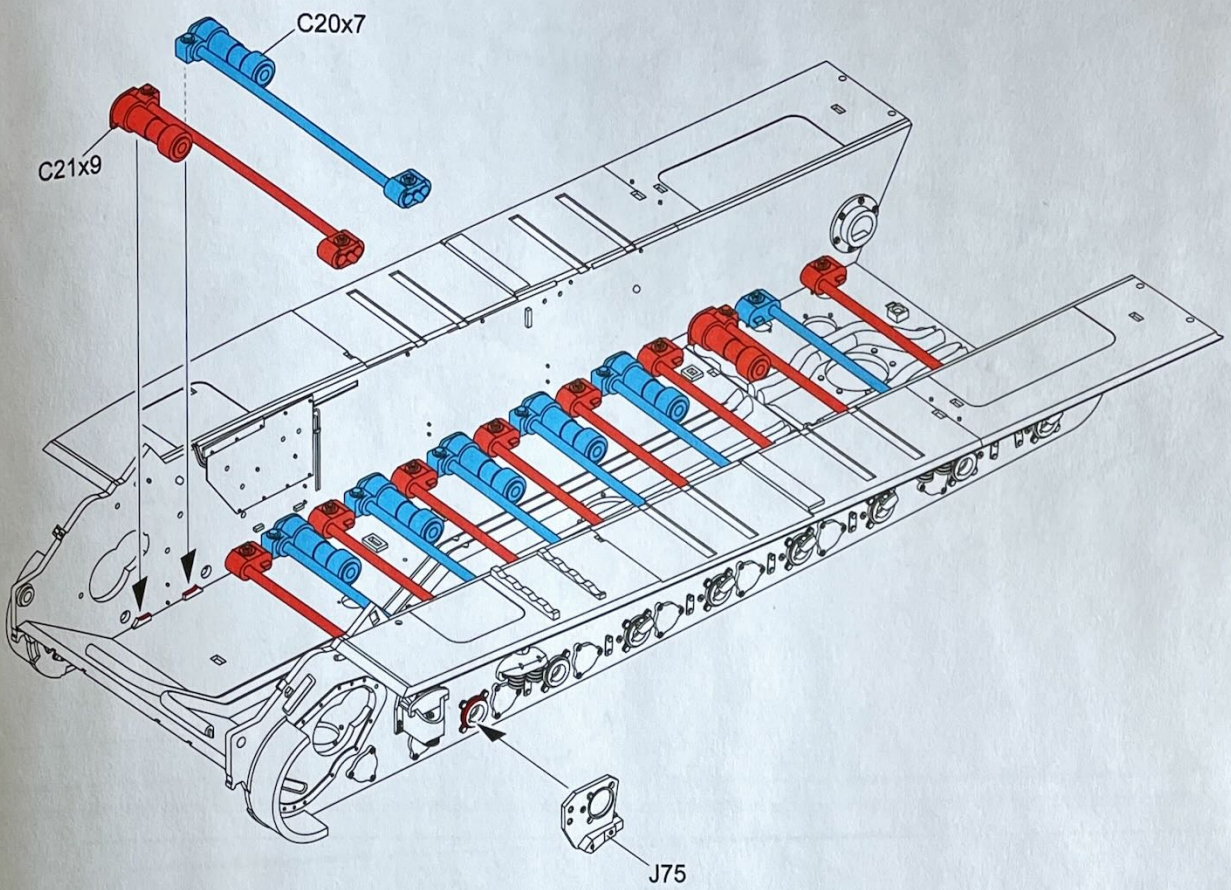
MAKE2
制作2组



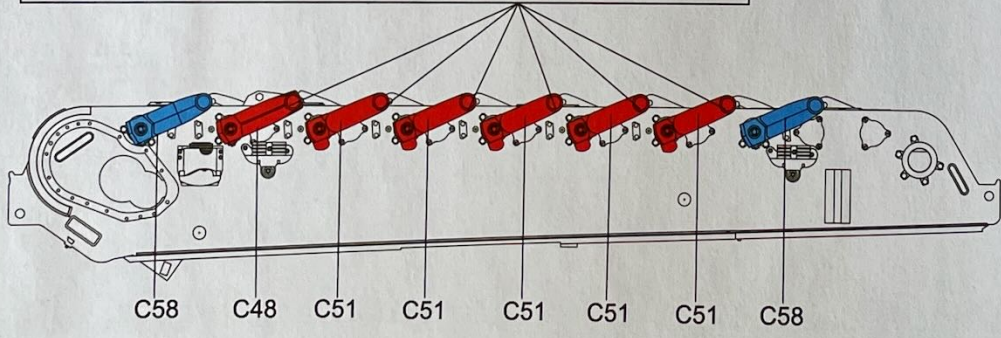
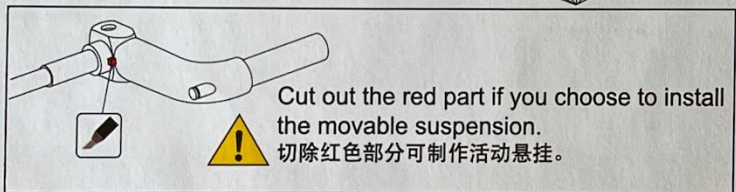
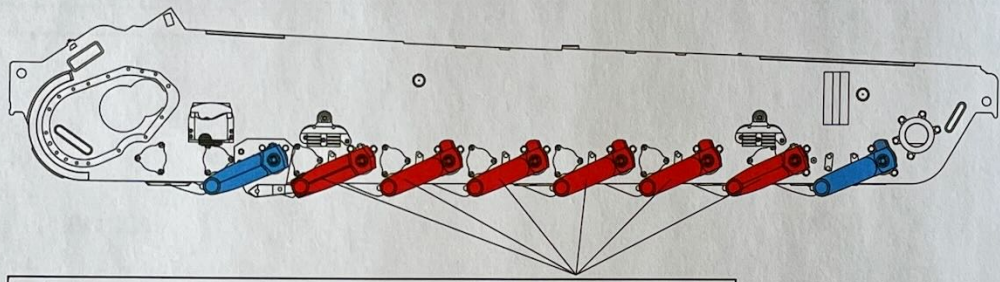
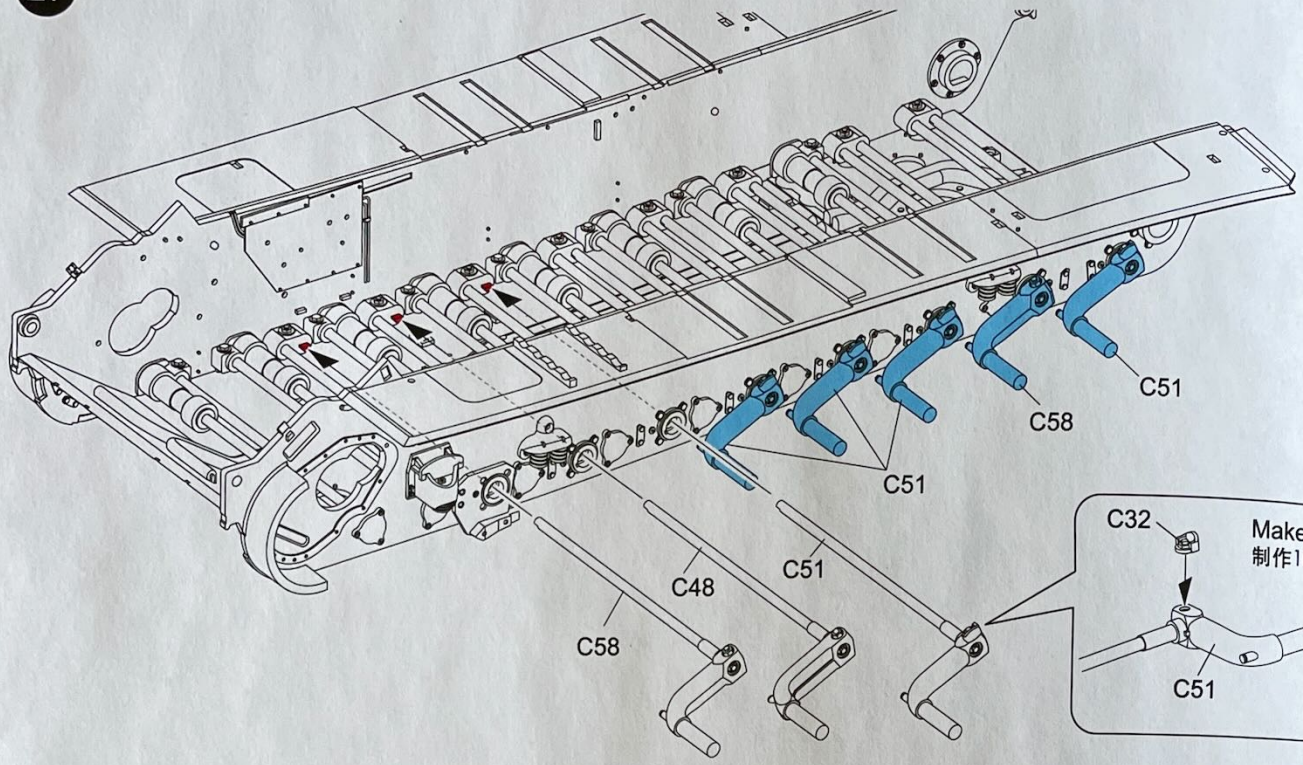
25



26

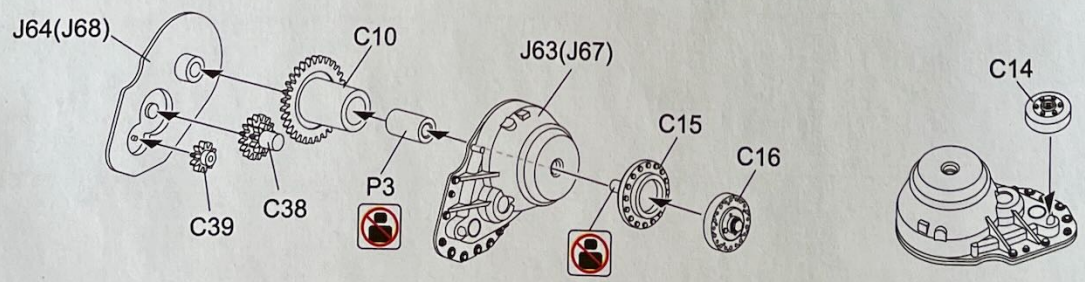


27

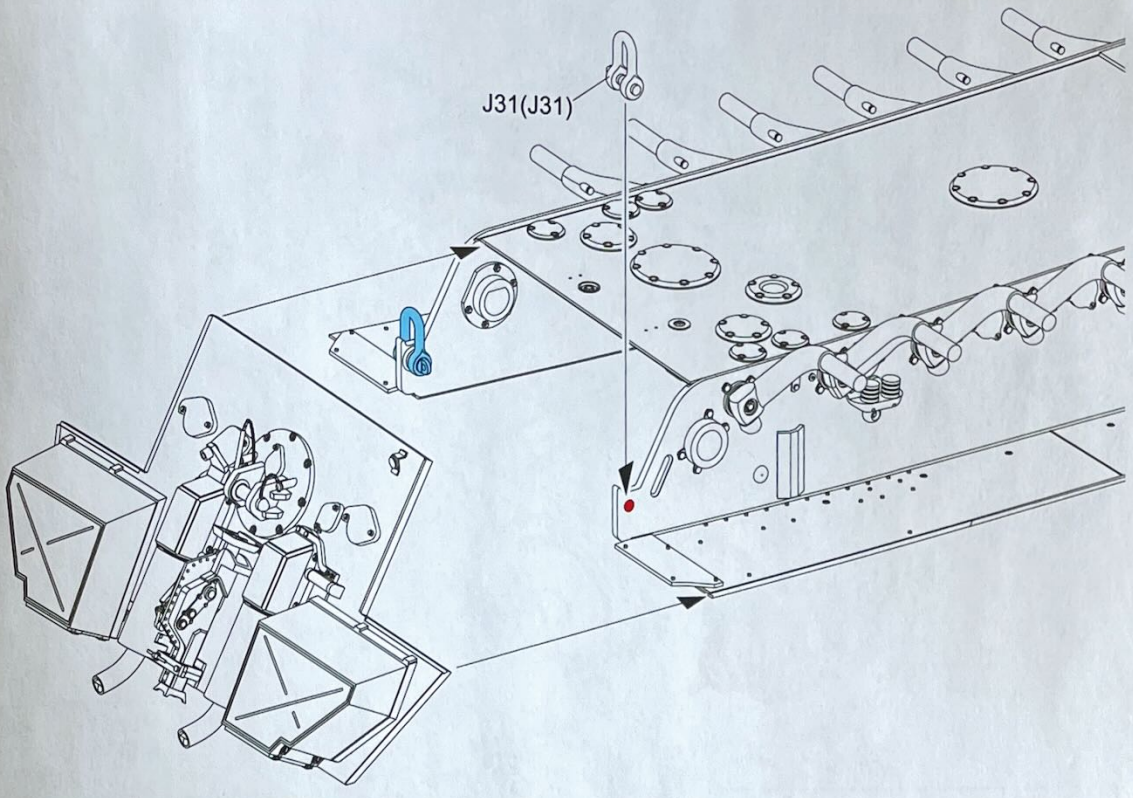


A11

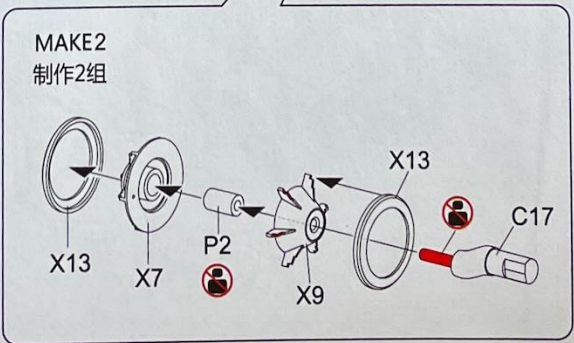
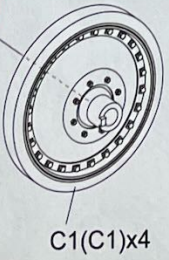
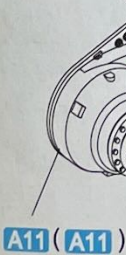
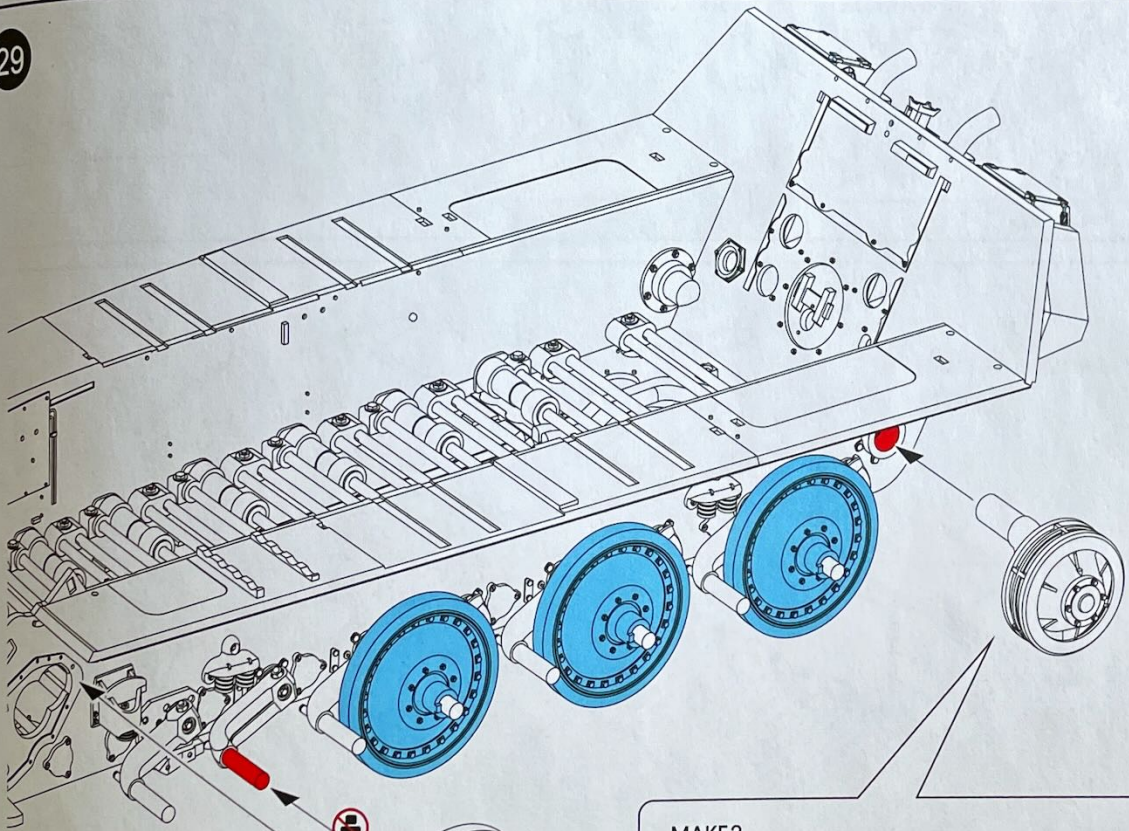
Make 2
制作2组



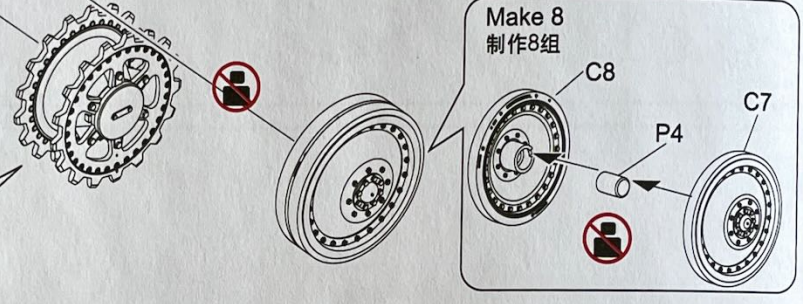
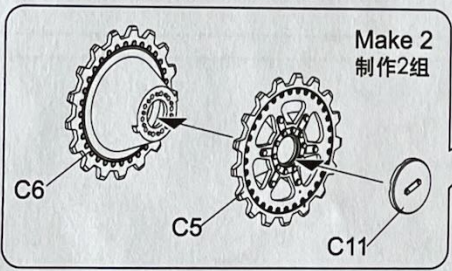
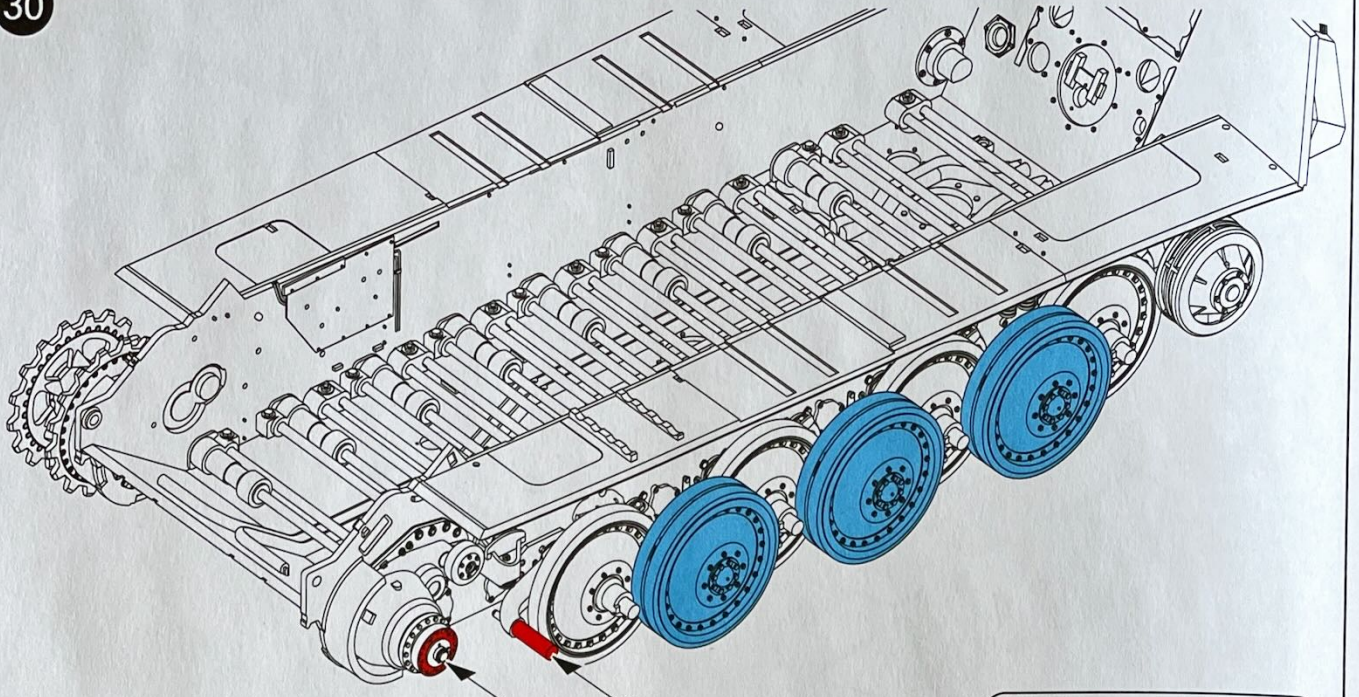
28



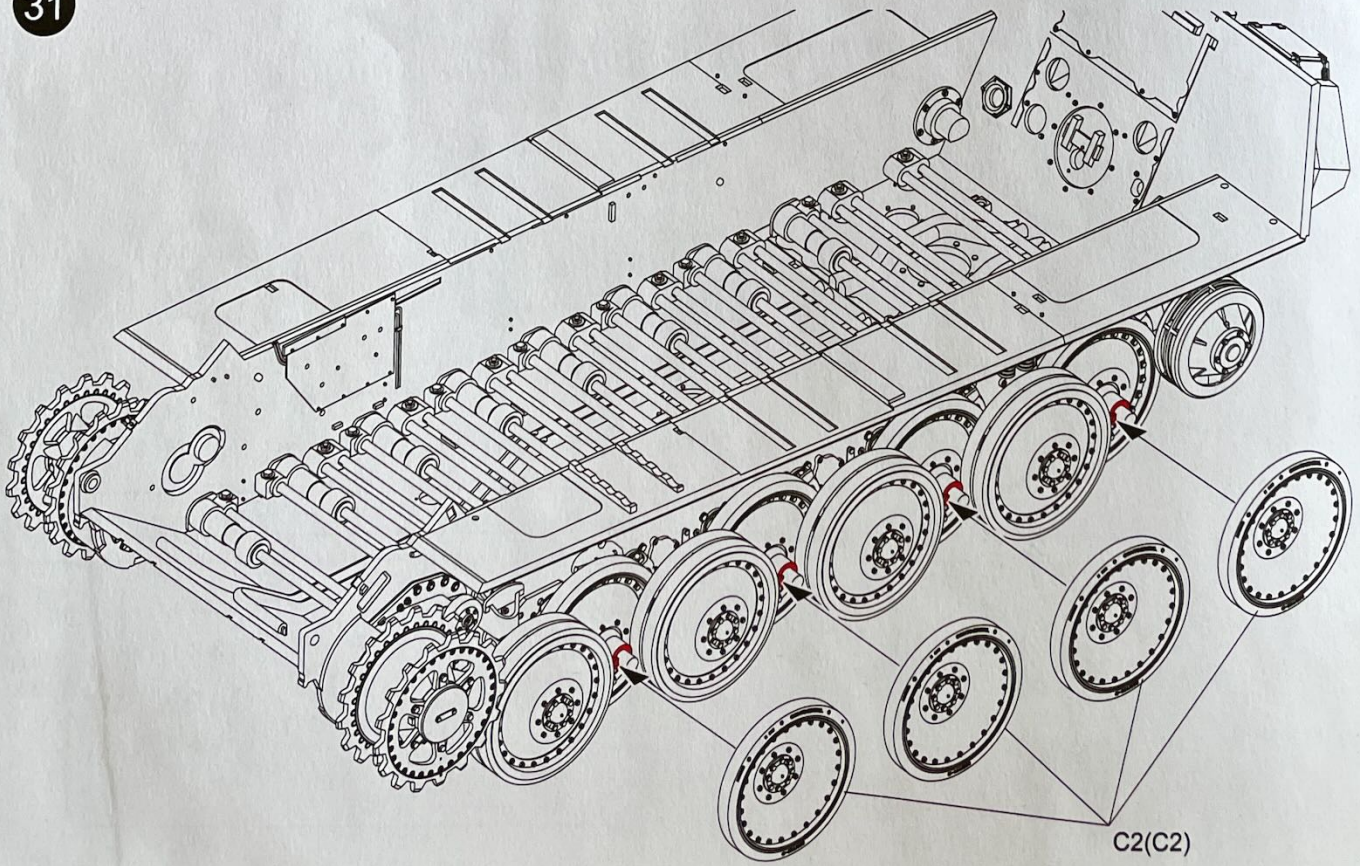
29



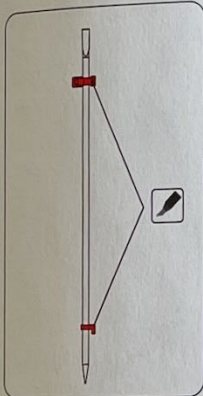
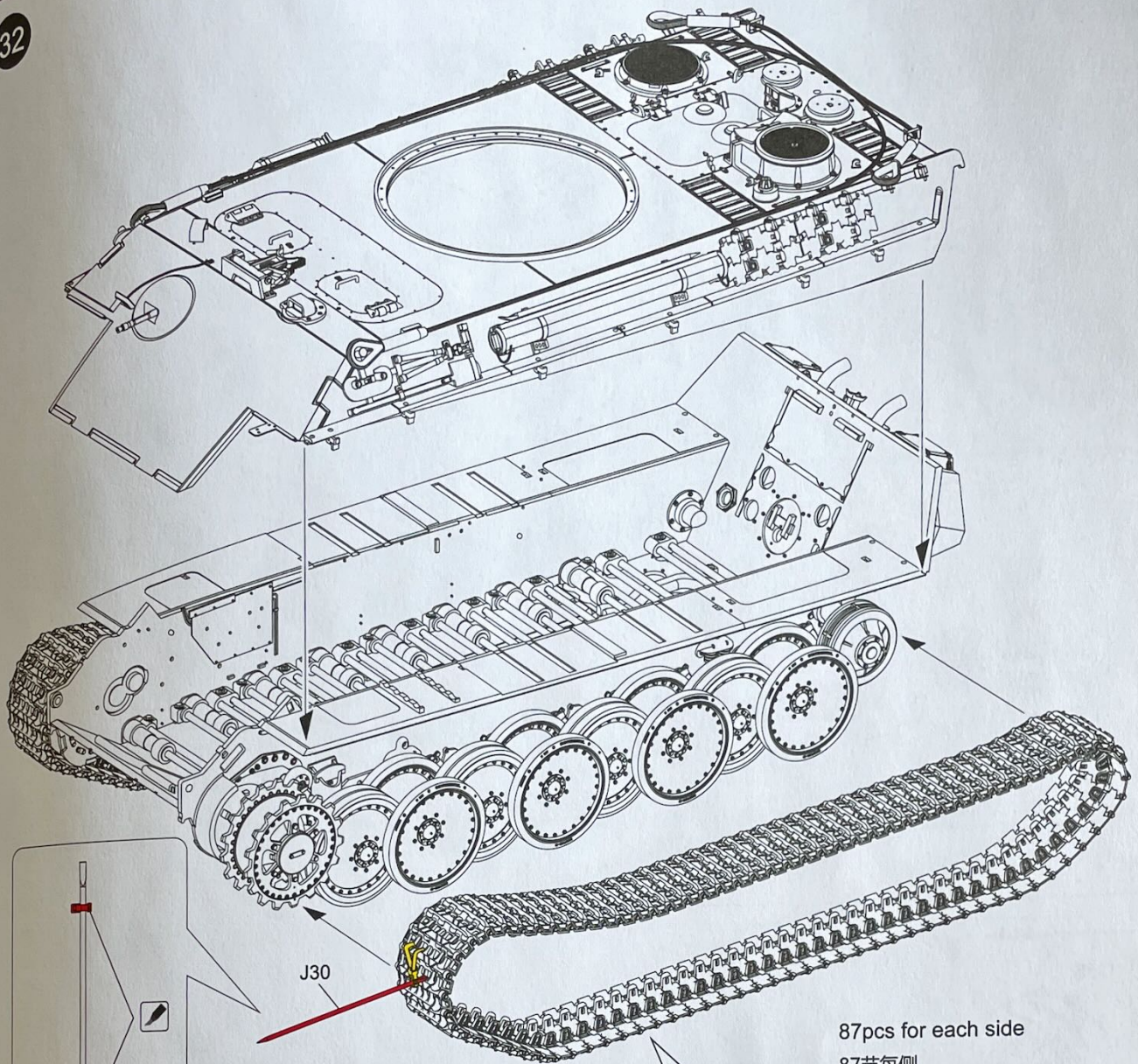
30



31

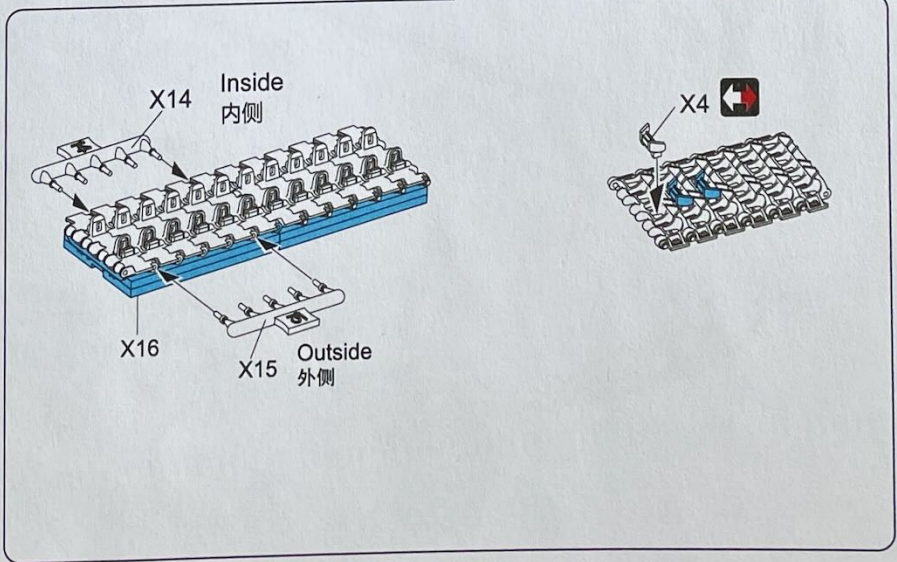
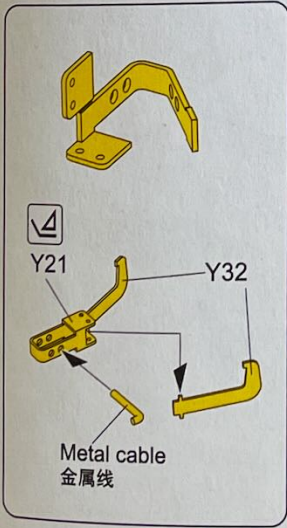


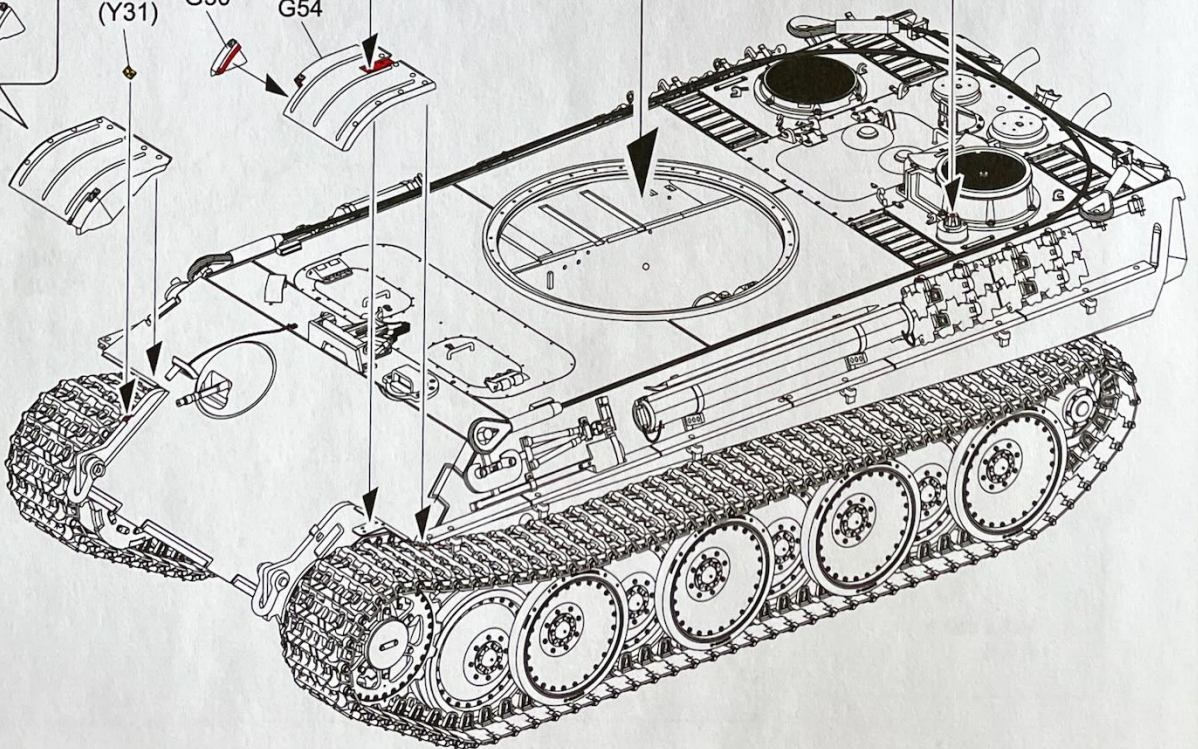
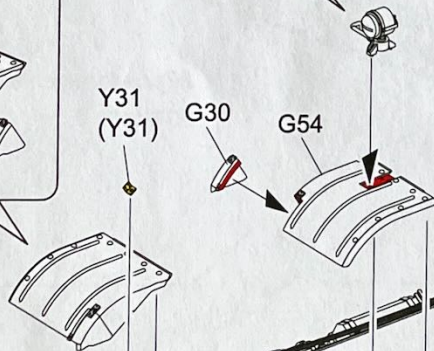
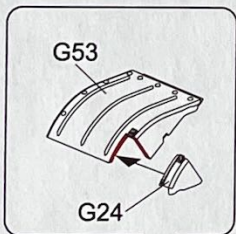
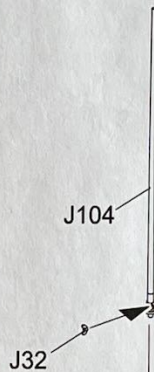
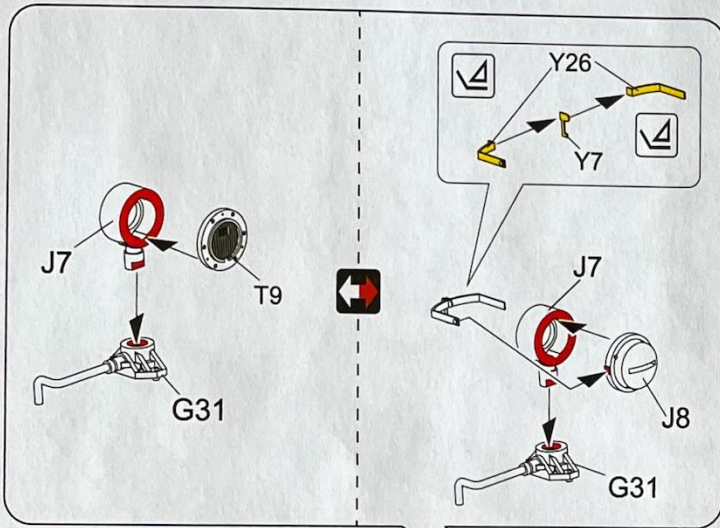
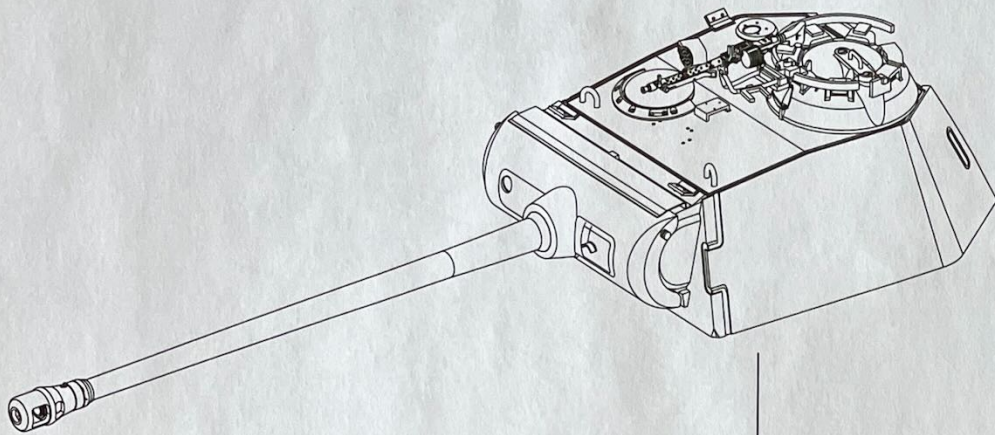
C2(C2)

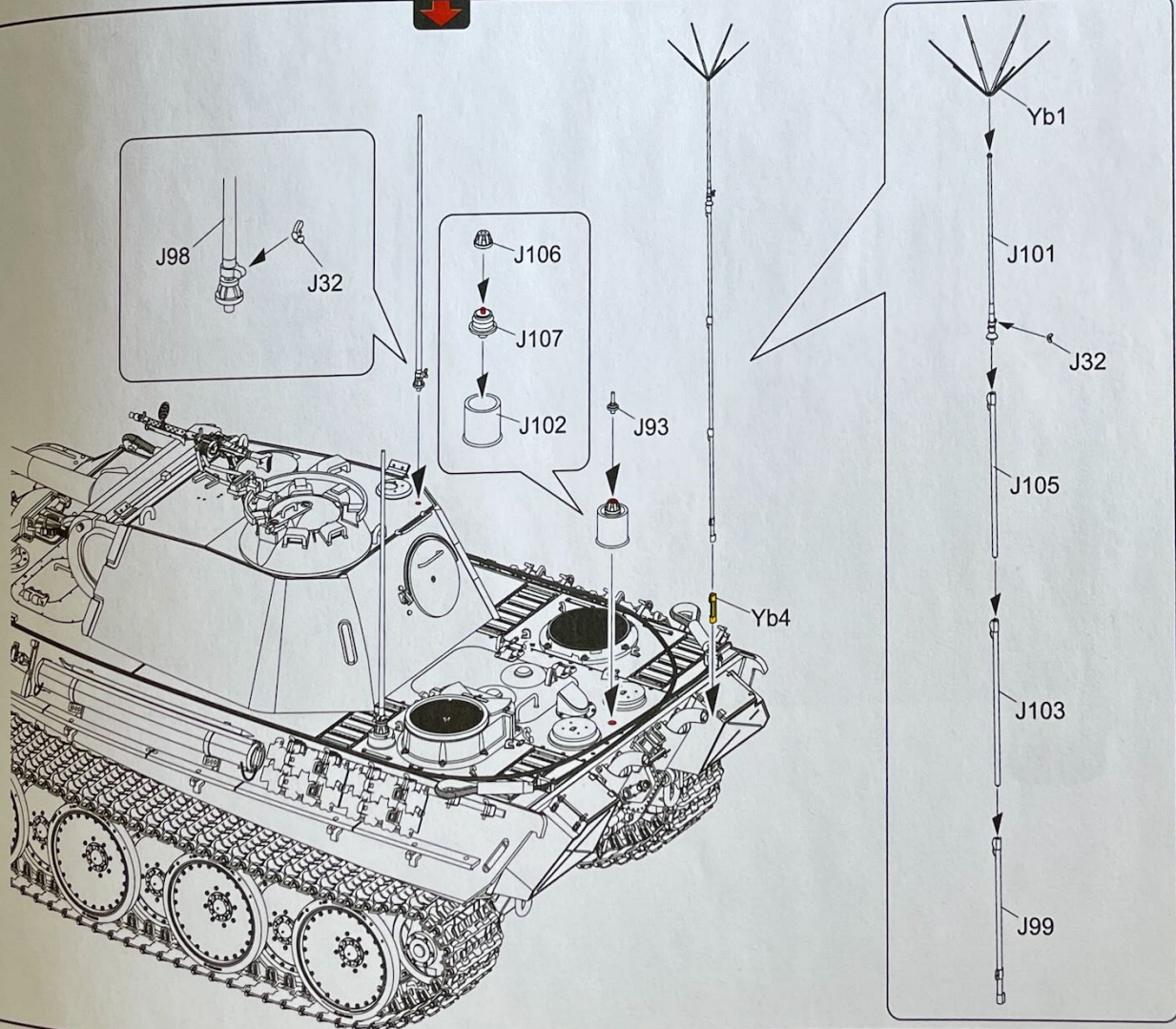
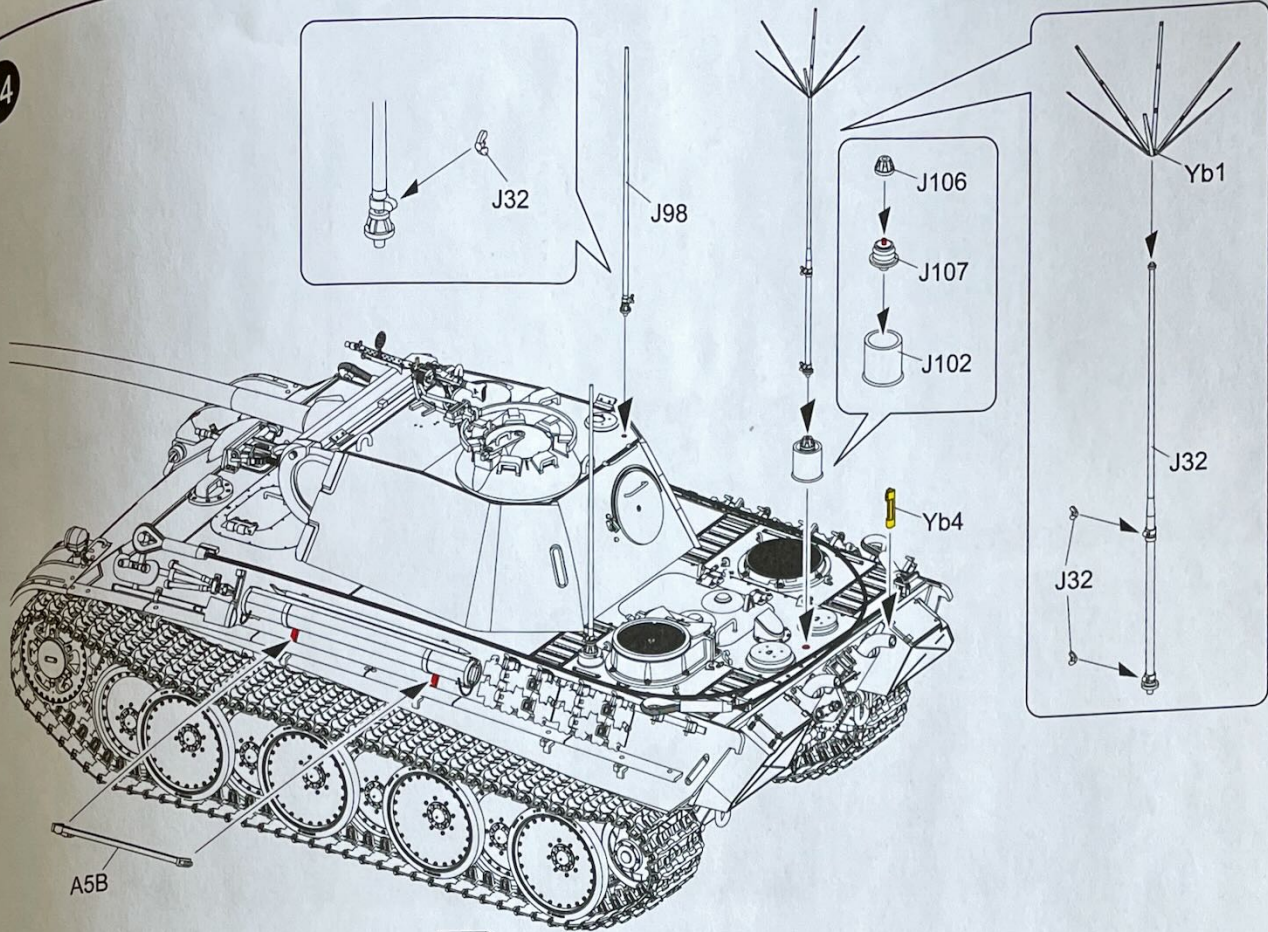


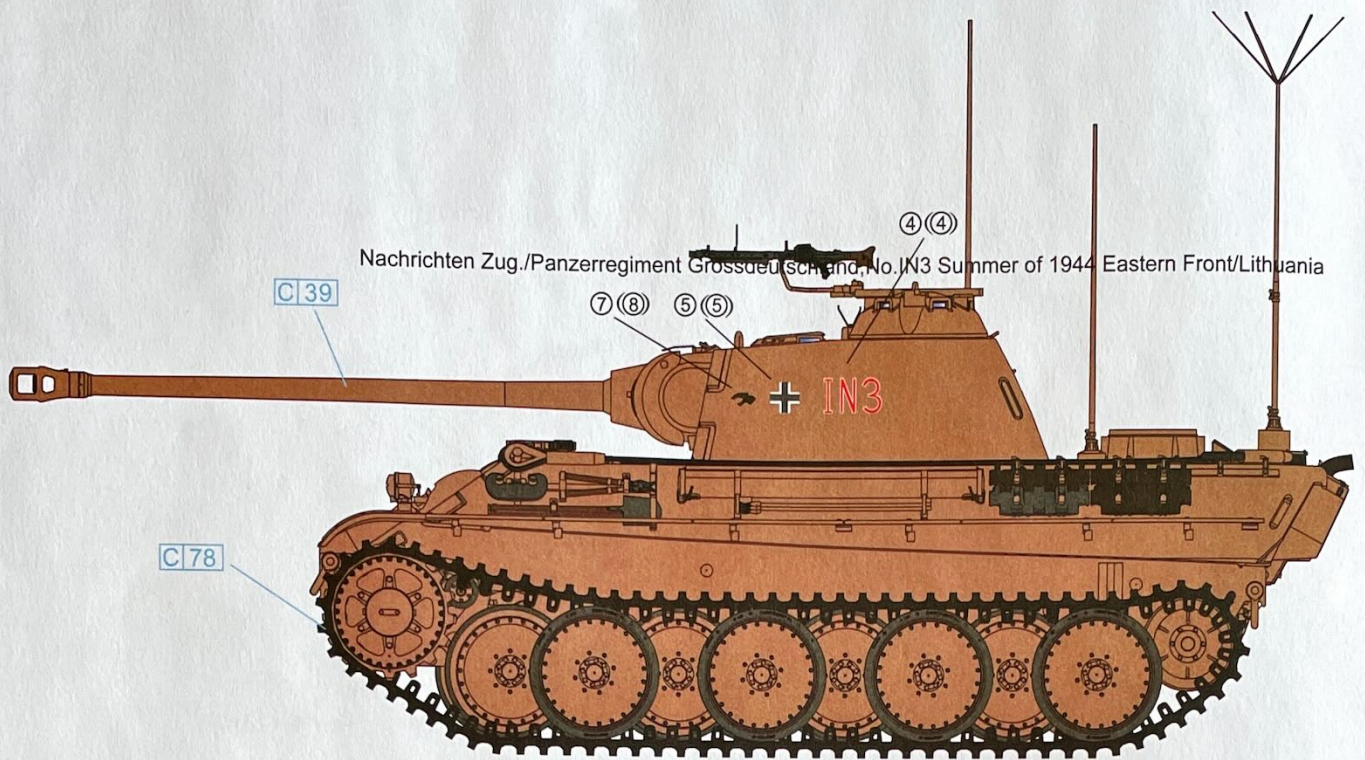
J30

87pcs for each side
87节每侧

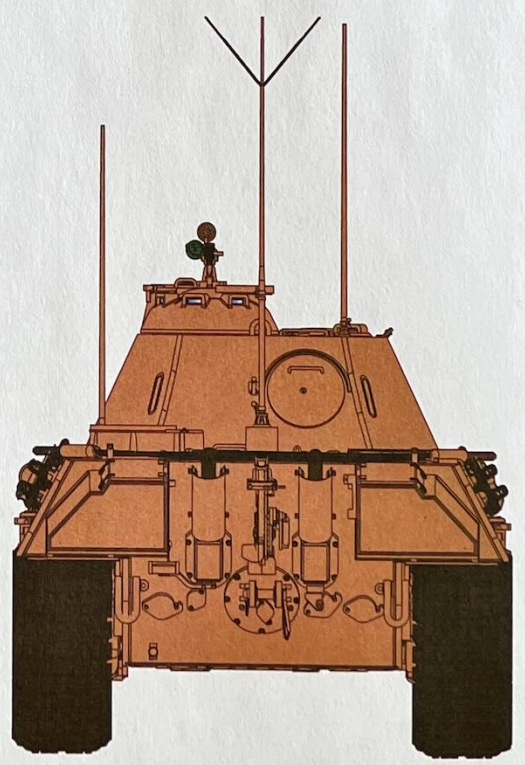
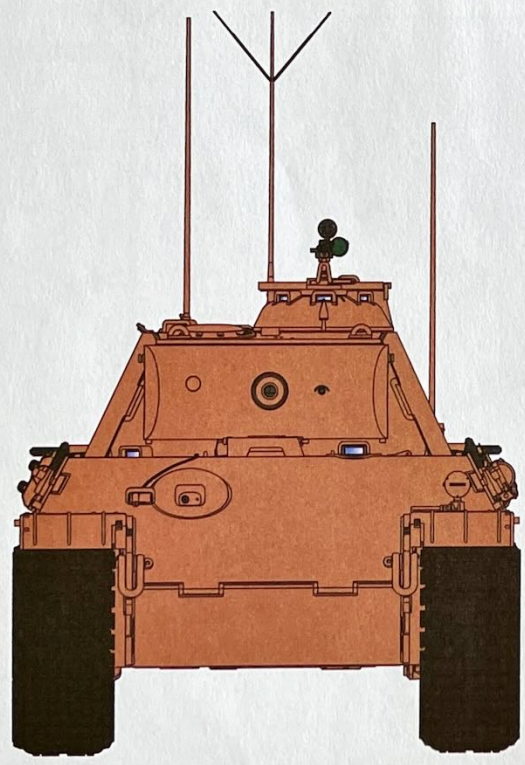








Nachrichten Zug./Panzerregiment Grossdeutschland, No. IN3 Summer of 1944 Eastern Front/Lithuania



Stab./Hermann Göring Fallschirm Panzerregiment, No.R01 late autumn of 1944 Ostpreußen
1944年, 秋季, 东普鲁士, 第一赫尔曼戈林装甲师, 装甲团团部, R01号车

