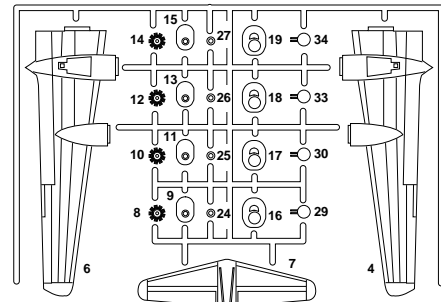
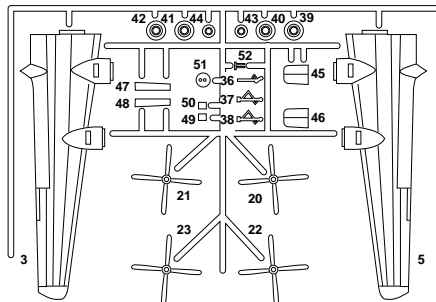
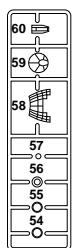
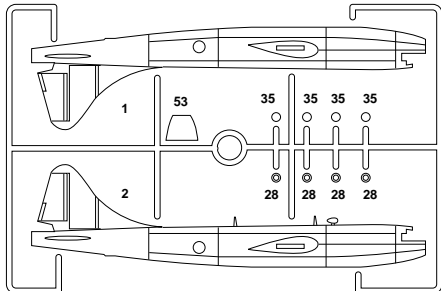


Your MINICRAFT B-29 may be assembled with various options, such as 'in-flight' features as retracted landing gear and 'spinning' propeller. Parts are also provided for a 'stationary' or 'ground' version with extended landing gear. Please review the assembly steps to become familiar with the parts before beginning assembly.

## PARTS LAYOUT DIAGRAM

**NOTE** Aircraft used for training and operational atomic bomb missions had all turrets and sighting blisters removed and faired over. Tail guns were carried.



**1** **?** **4X** **29/30/33/34** **35** **Finished Assembly**

Omit strut 36 and nose weight for 'in-flight' version

**36**

**1** **2** **7** **35** **54** **55** **56**

**Cockpit Interior** FLAT BLACK  
**Gun Barrels** GUNMETAL  
**Nosewheel strut** ALUMINUM

**All Parts except as noted**

**2** **?** **4X**

**3** **4** **5** **6**

**All Parts**

**3** **?** **4X** **8/10/12/14** **9/11/13/15** **16/17/18/19** **4X**

**8/10/12/14** **9/11/13/15** **16/17/18/19** **20/21/22/23** **28**

**All Parts** **Cylinders** METALLIC GRAY

**Propeller Blades** FLAT BLACK with YELLOW tips  
**Propeller Hubs** ALUMINUM

**4** **?** **4X**

**53**

**All Parts**

**Cockpit floor** FLAT BLACK

**5** **?** **4X**

**51** **52** **57** **58** **59** **60**

**All Parts** **Tailgun barrels** GUNMETAL

Note orientation of nose cap (part 59)

**6** **?** **4X**

**45** **46** **47** **48** **49** **50**

**All Parts**

**IN-FLIGHT VERSION**

**7** **?** **4X**

**37** **38** **39** **40** **41** **42** **43** **44** **45** **46** **47** **48** **49** **50**

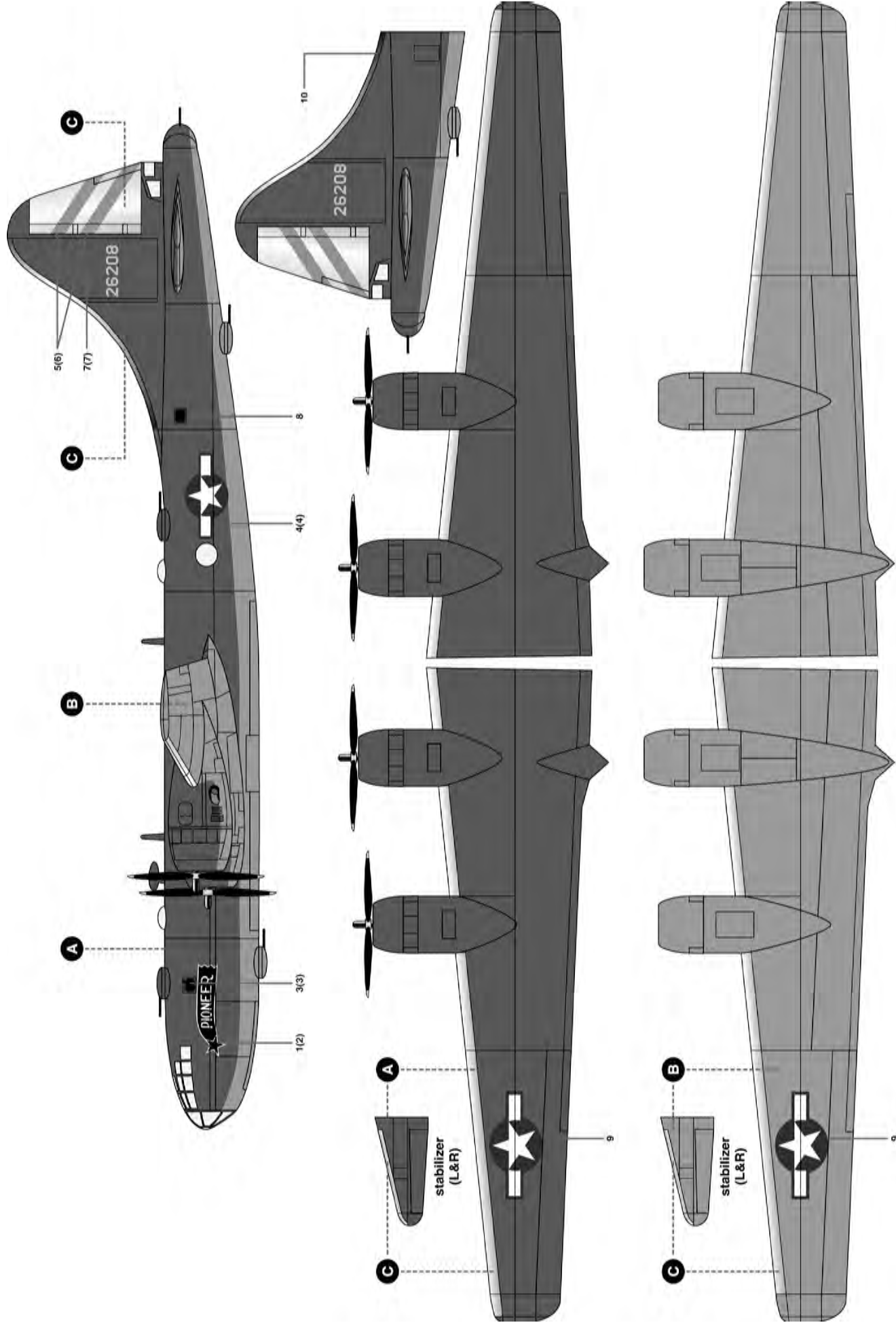
**All Parts**

**STATIONARY VERSION**

Cut parts 45/46 in two

**Struts, hubs and wheelwell** ALUMINUM  
**Tires** FLAT BLACK-GRAY

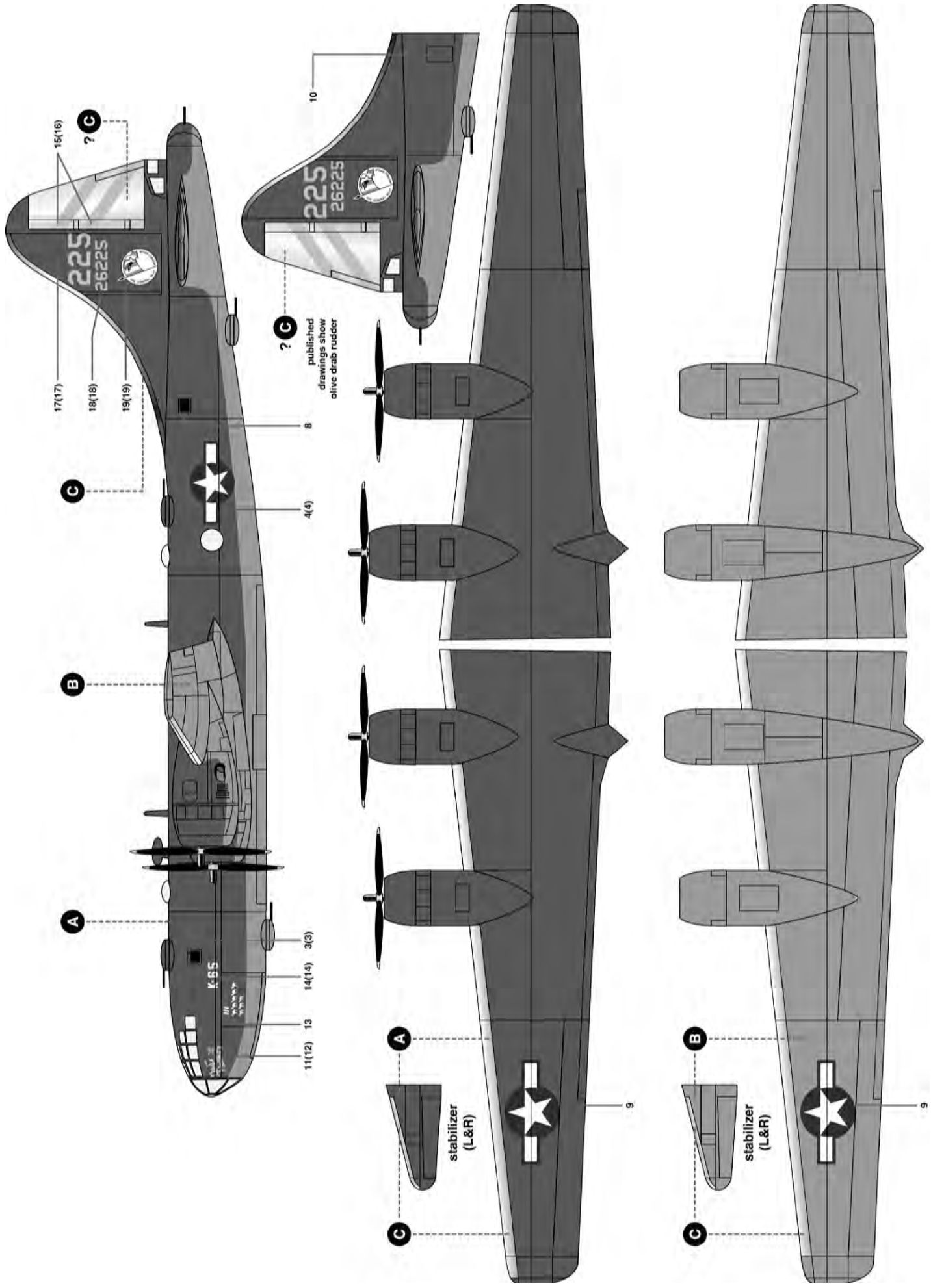
USAAF B-29, 42-6208, 468 BW, location unknown, 1944



PAINTS

- A Olive Drab (ModelMaster 1911, Acryl 4728)
- B Neutral Gray (ModelMaster 1725, Acryl 4757)
- C Aluminum (ModelMaster 1781, Acryl 4677)

USAAF B-29, 42-6225, 794 BS, Vladivostok, USSR, Nov 1944



Your Minicraft model includes high-quality waterslide decals. These decals adhere best to a glossy surface; and it is recommended that you apply a clear gloss coat over your painted model.

Use a sharp scissors or knife to cut individual decals from the carrier sheet. Do not cut into the clear film surrounding the individual decals.

\* It is recommended that you apply one decal at a time.

\* Place the decal section in warm water, when first inserted in the water your decal will curl, after approximately ten seconds the decal will uncurl. Remove from water and lay on a paper towel. After approximately 10 - 20 seconds the decal will slide freely from the backing paper. Use a small brush to help slide the decal from the backing paper and into position on the model. Carefully blot excess water from the decal, using care not to move the decal or tear it.

\* If you choose to use a setting solution, apply a thin coat over the decal following the manufacturer's instruction.

\* Allow the decal to dry overnight. Wash any adhesive residue off the model with a small amount of clean water and dry thoroughly.

\* Apply clear gloss, matte or flat coat to seal decals following the instructions from the manufacturer.



*Legends in the making™*

Visit our Website-  
[www.minicraftmodels.com](http://www.minicraftmodels.com)

Minicraft Models (US) LLC  
1501 Commerce Drive  
Elgin, IL 60123

Phone: 847-429-9676