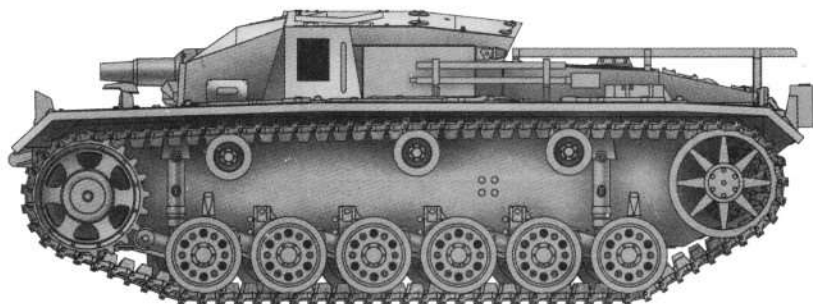


German Sturmgeschütz III Ausf. C/D

德国三号突击炮C/D型



READ BEFORE ASSEMBLY:

- This kit is not recommended for inexperienced modelers or for children under 14 years of age
- Study and understand these instructions thoroughly before beginning assembly
- When needed, remove photo-etch parts carefully using a modeling knife or photo etch sprue cutter, being careful not to damage or lose small parts.
- Take extra care in handling photo etch parts in order to avoid injury
- Apply instant cement sparingly to photo etch parts where instructed
- Tools recommended(not included in kit):Plastic and instant cements,sprue cutters,long nose pliers,modeling knife, small files, tweezers, pin vise & scissors. Soft cloth and sandpaper will also assist in construction
- Glue and paint are not included in the kit. Use plastic cement and hobby paints only. Color guide for purchasing paint is included in the kit.
- Keep out of reach of children. They must not be allowed to ingest small parts or handle plastic bags in any way.

装配之前仔细阅读

- 小心用模型锉刀锉平所有零件表面的注射浇口。
- 小心用刀片切下蚀刻片零件，不要遗失小零件。
- 用强力快干胶水粘合蚀刻片零件和金属轴。过量的快干胶水使用可能导致可动零件会粘住，小心涂胶。
- 取蚀刻片时应特别注意安全，防止利边划伤手指。
- 某些零件表面需贴水上贴纸，请选择在装配的同时进行。
- 推荐模型工具(自备)：胶水，水口剪刀，长咀钳，刀片，锉刀，镊子，钳，钻，剪刀，瞬间快干胶。
- 软布同砂纸同时也应该是必备工具。
- 请使用塑料胶水和油漆，模型内不含。
- 谨防小孩吸吮塑料零件，或者将塑料袋套在头上，制作时应将套材远离小孩接触。
- 本产品不适合14岁以下没有经验的模型爱好者。



cyanoacrylate glue
使用强力胶



weight
配重



make hole
钻孔



cut / remove
切除



bend
弯曲



file / sand
锉平



option
选择



no cement
不涂胶水



decal
贴纸

水贴纸的使用:

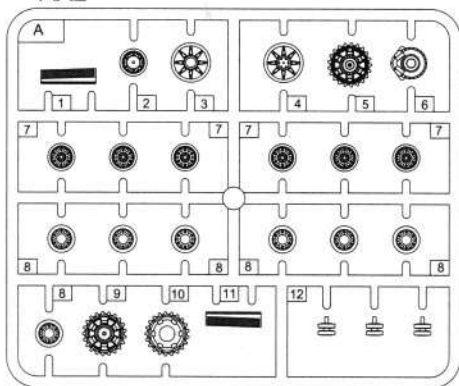
1. 从水贴纸上剪下印花;
2. 将印花放入温水中浸10秒，然后放在干净布上。
3. 拿着印花纸板将印花移到模型上;
4. 手指蘸水将印花移到适当的位置;
5. 用软布轻压印花直至水干，气泡消失。

DECAL APPLICATION

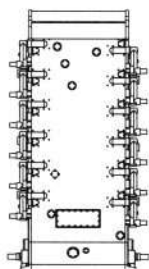
1. Cut off decal from sheet.
2. Dip the decal in tepid water 40°C for about 10 sec. and place on a clean cloth.
3. Hold the backing sheet edge and slide decal onto the model.
4. Move decal into position by wetting decal with finger.
5. Press decal gently down with a soft cloth until excess water and air bubbles are gone.
6. Allow decal to dry completely before handling model.

部品图
Parts

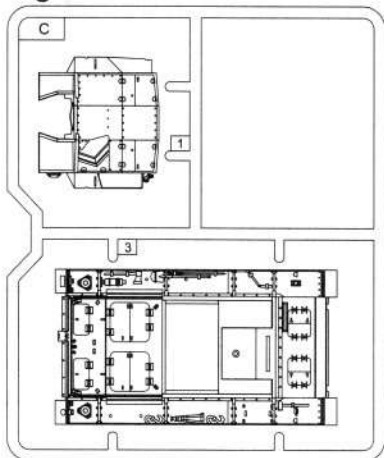
AX2



《车底》
Lower hull



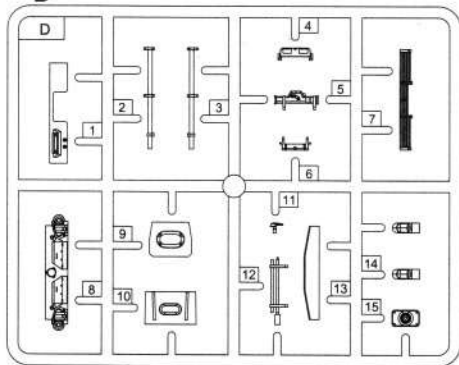
C



《贴纸》
Decal



D



《履带》×2
Track

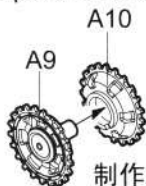


不用部件:A1×1.A5.A11×1.

Unused parts

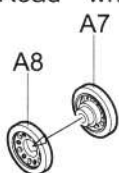
1 车轮组装
Wheels assembly

《主动轮》
Sprocket wheel



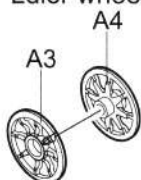
制作2组
Make two

《负重轮》
Road wheel



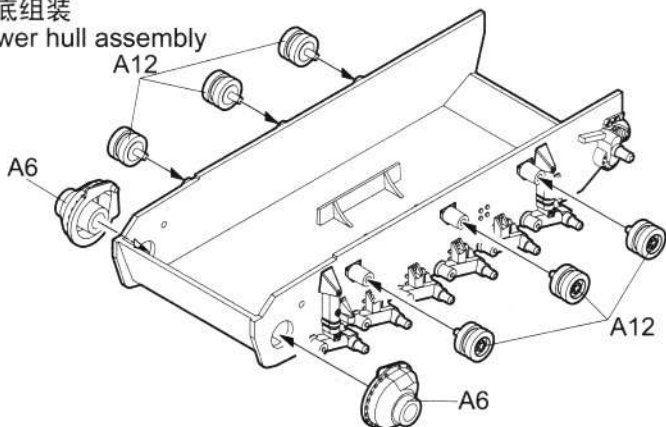
制作12组
Make twelve

《诱导轮》
Ldler wheels



制作2组
Make two

2 车底组装
Lower hull assembly



3 车底组装
Lower hull assembly

《主动轮》
Sprocket wheel

《负重轮》
Road wheel



《负重轮》
Road wheel

<<对侧相同>>
Both sides

《负重轮》
Road wheel

《诱导轮》
Ldler wheels



《诱导轮》
Ldler wheels

D8

D7

4 履带联接
Track construction

* 履带可用塑料胶水粘合。

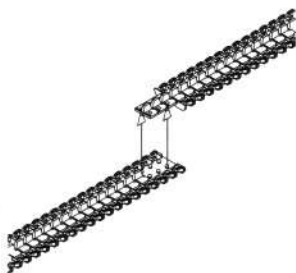
* 履带可用模型油漆喷涂。

* 若履带断裂，用细丝线固定。

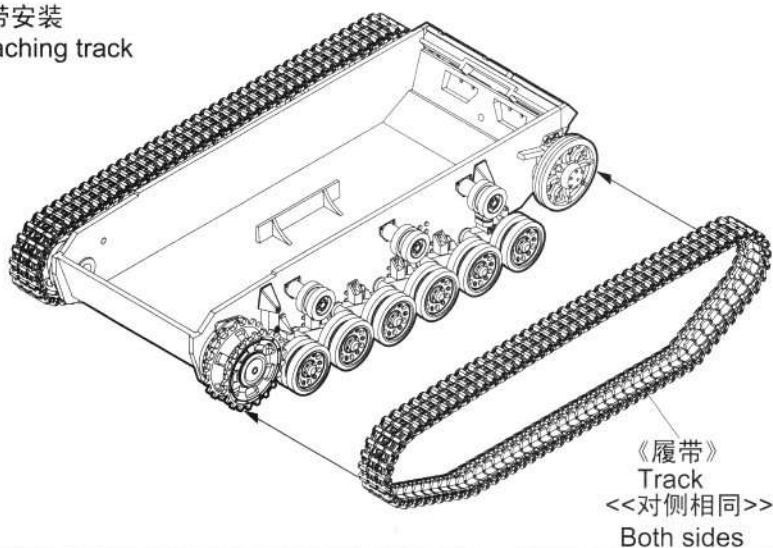
* The tracks in this kit can be glued using plastic cement.

* The tracks can be painted using plastic paints.

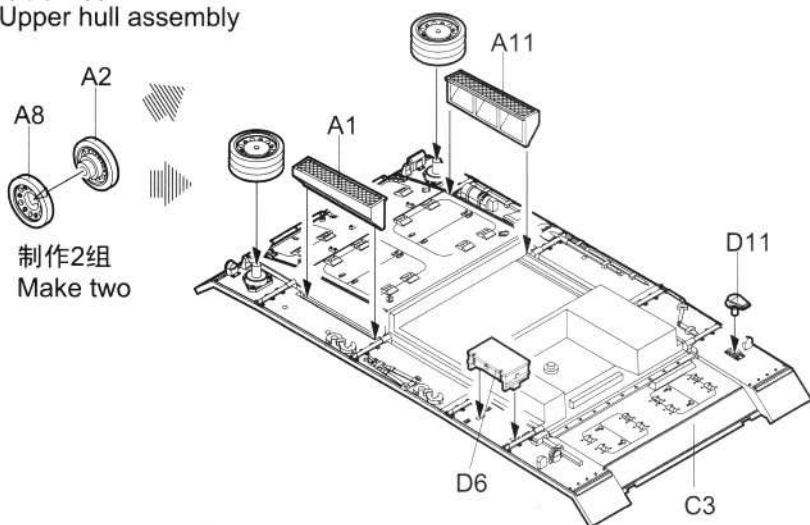
* If track is broken strengthen with staples or thread.



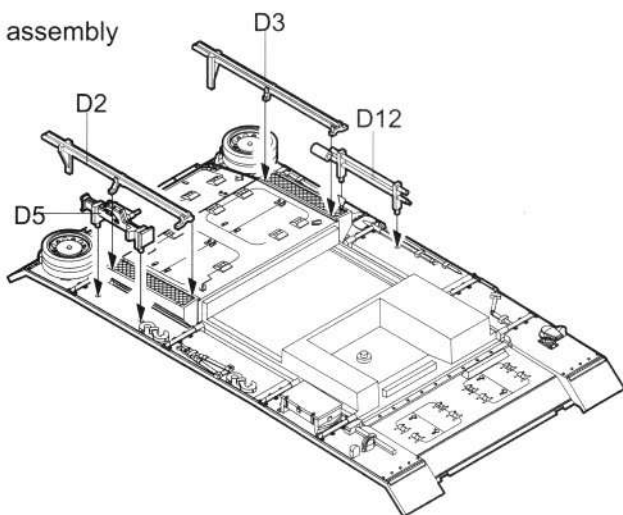
5 履带安装
Attaching track



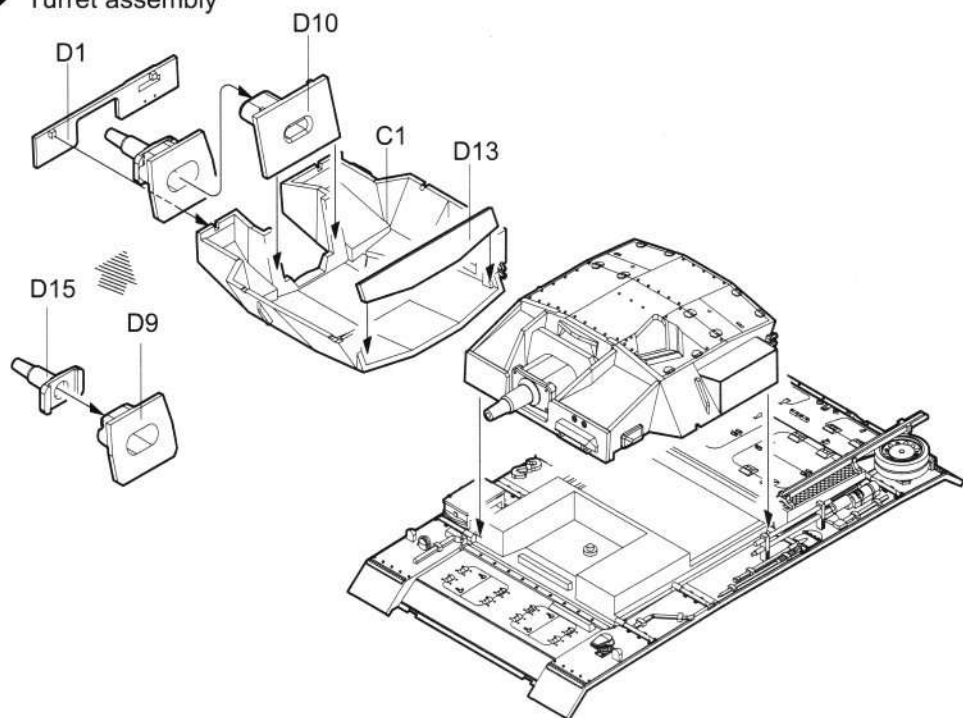
6 车面组装
Upper hull assembly



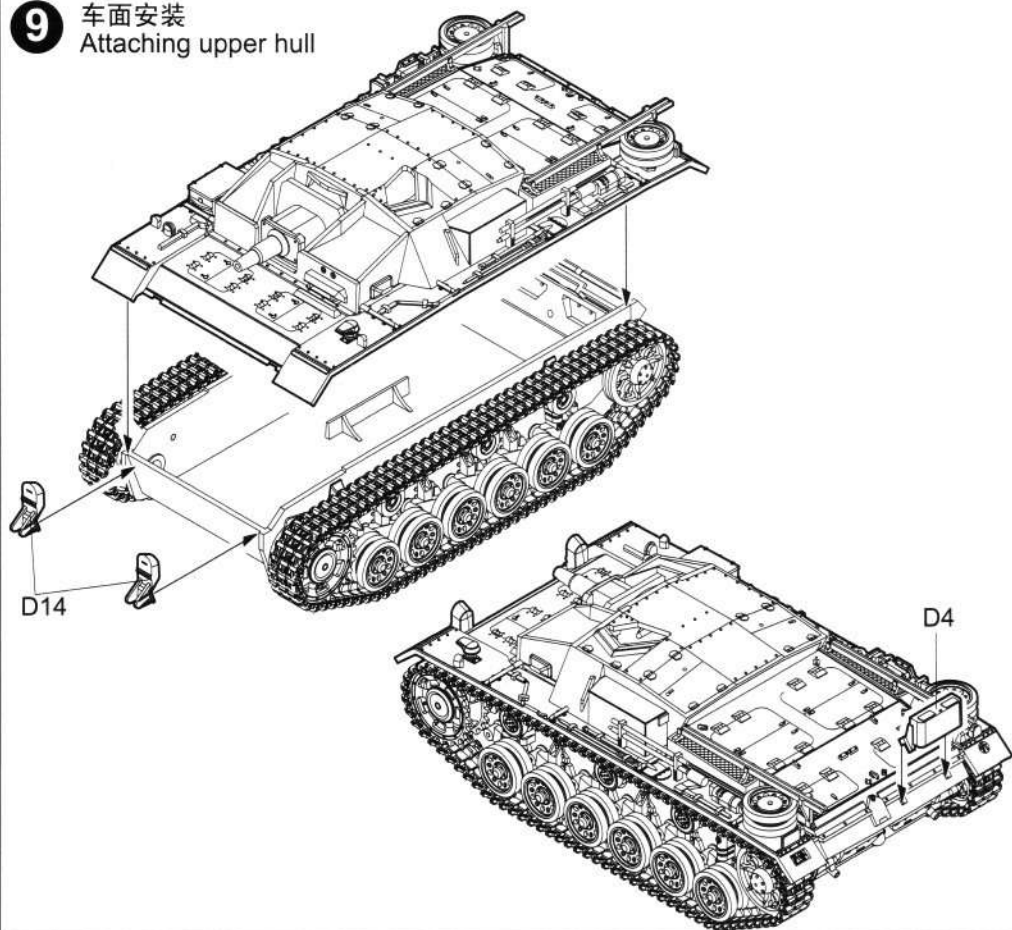
7 车面组装
Upper hull assembly



8 炮塔组装
Turret assembly

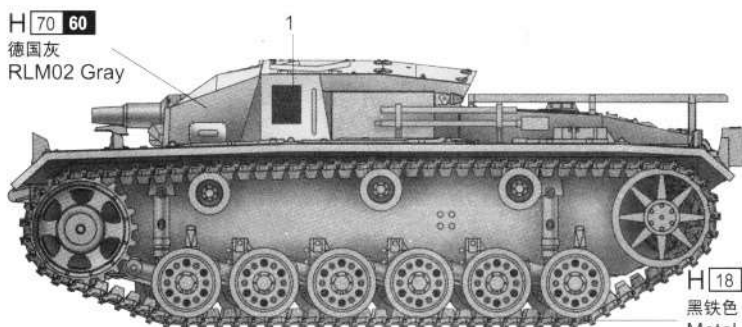


9 车面安装
Attaching upper hull



涂装同标贴指示 Painting & Marking guide

使用 MR.HOBBY 涂料 Mr. Color Used

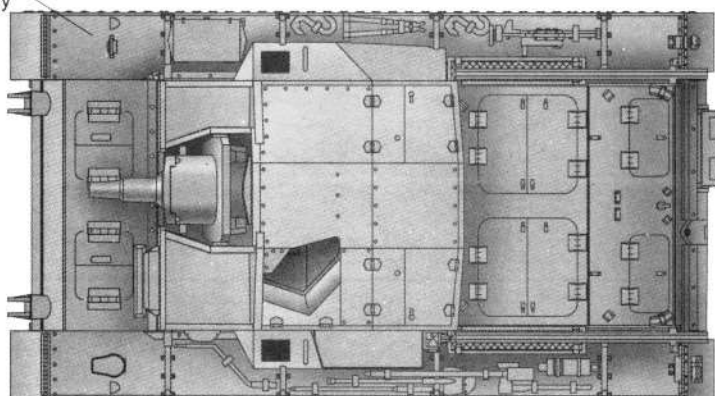


H 70 60

德国灰
RLM02 Gray

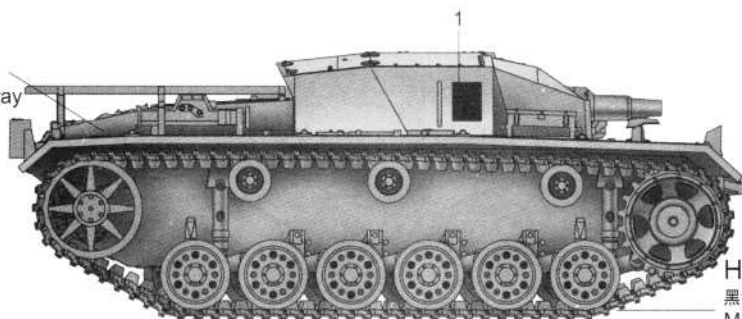
H 18 28

黑铁色
Metal Black



H 70 60

德国灰
RLM02 Gray

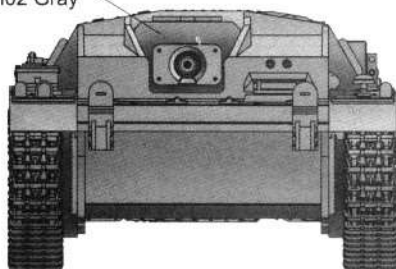


H 18 28

黑铁色
Metal Black

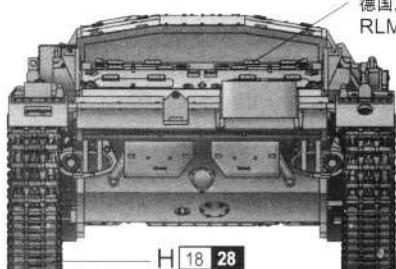
H 70 60

德国灰
RLM02 Gray



H 70 60

德国灰
RLM02 Gray

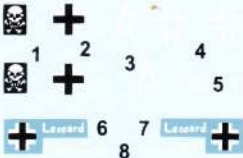


H 18 28

黑铁色
Metal Black

H AQUEOUS HOBBY COLOR

■ Mr. COLOR



07256 07257 07258

1/72 Germany Sturmggeschütz III