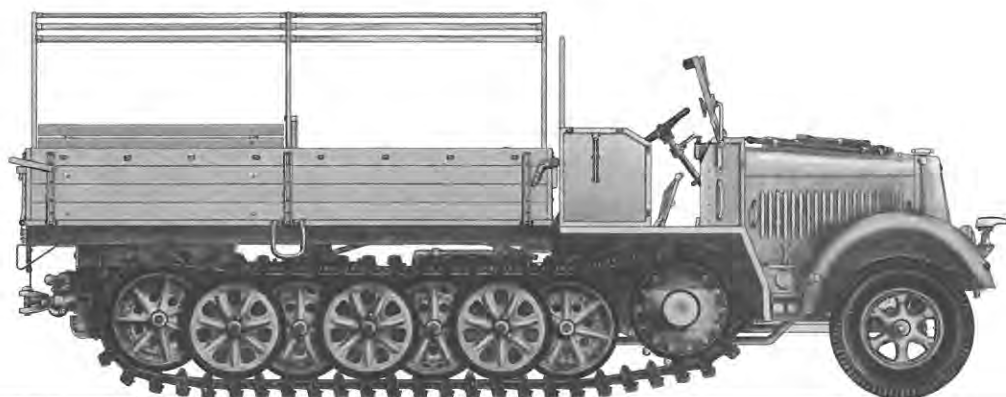


# German Sd.Kfz.7 Mittlere Zugkraftwagen 8t Km.11 Late Version

德国 Sd.Kfz.7 八吨中型半履带牵引车 (后期型)



## READ BEFORE ASSEMBLY:

- Study and understand these instructions thoroughly before beginning assembly
- When needed, remove photo-etch parts carefully using a modeling knife or photo etch sprue cutter, being careful not to damage or lose small parts.
- Take extra care in handling photo etch parts in order to avoid injury
- Apply instant cement sparingly to photo etch parts where instructed
- Tools recommended(not included in kit):Plastic and instant cements, sprue cutters,long nose pliers,modeling knife, small files, tweezers, pin vise & scissors. Soft cloth and sandpaper will also assist in construction
- Glue and paint are not included in the kit. Use plastic cement and hobby paints only. Color guide for purchasing paint is included in the kit.

## 装配之前仔细阅读

- 小心用模型锉刀锉平所有零件表面的注射浇口。
- 小心用刀片切下蚀刻片零件，不要遗失小零件。
- 用强力快干胶水粘合蚀刻片零件和金属轴。过量快干胶水使用可能导致可动零件会粘住，小心涂胶。
- 取蚀刻片时应特别注意安全，防止利边划伤手指。
- 某些零件表面需贴水上贴纸，请选择在装配的同时进行。
- 推荐模型工具(自备)：胶水，水口剪刀，长咀钳，刀片，锉刀，镊子，钳，钻，剪刀，瞬间快干胶。
- 软布同砂纸同时也应该是必备工具。
- 请使用塑料胶水和油漆，模型内不含。



配重  
Weight



使用强力胶  
Cyanoacrylate glue



钻孔  
Make hole



切除  
Cut / Remove



贴纸  
Decal



锉平  
File / Sand



选择  
Option



不涂胶水  
No cement



弯曲  
Bend

## 水贴纸的使用:

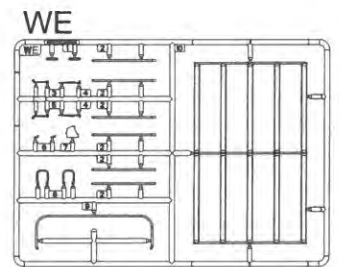
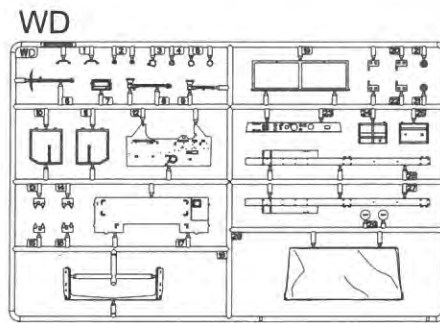
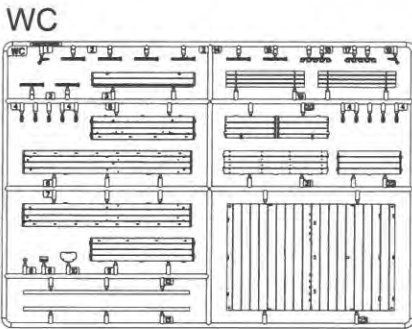
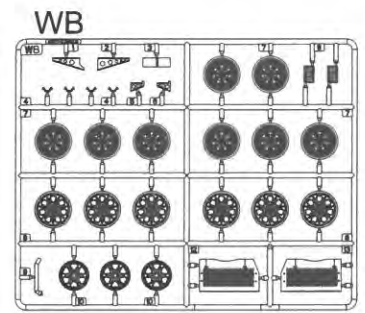
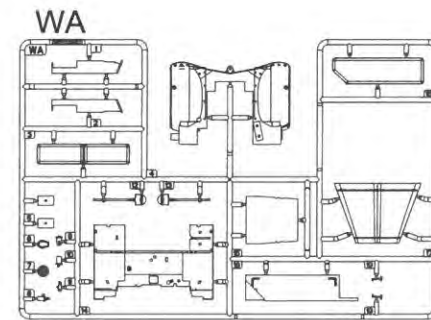
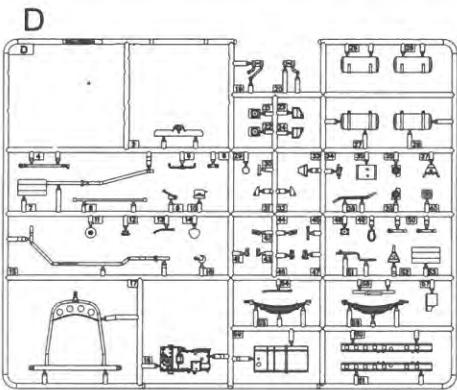
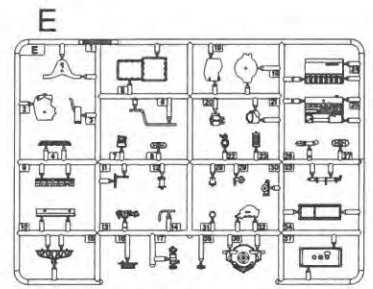
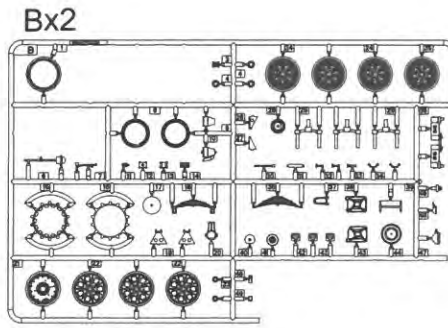
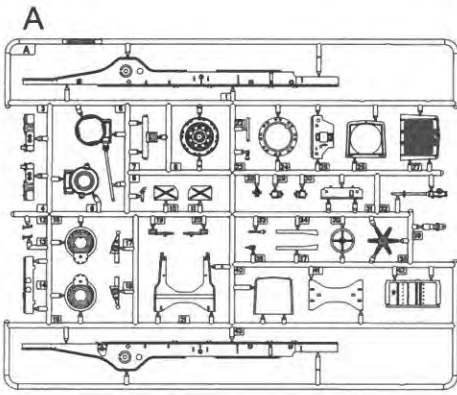
- 1.从水贴纸上剪下印花;
- 2.将印花放入温水中浸10秒,然后放在干净布上。
- 3.拿着印花纸板将印花移到模型上;
- 4.手指蘸水将印花移到适当的位置;
- 5.用软布轻压印花直至水干, 气泡消失

## DECAL APPLICATION

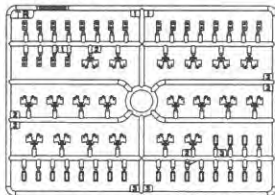
- 1.Cut decals from sheet as needed
- 2.Dip the decal in warm water for about 10 seconds and then place on soft clean cloth.
- 3.Hold the decal backing sheet edge and gently slide the decal onto the model in its proper position.

- 4.While still wet,decal can be adjusted for better fit on model by dampening it gently with your finger.
- 5.When placed in the proper position,gently press decal down with a soft cloth until excess water and air bubbles are gone.
- 6.Allow decal to dry completely before handling model

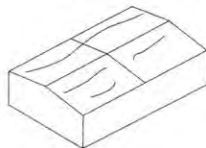
部品图  
Parts



TRX6



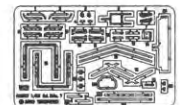
《车篷》  
Canvas Cover



蚀刻片WA  
PE-WA



蚀刻片WB  
PE-WB



《胶片》  
Film



《轮胎》X3  
Tire



《棉绳》 $\varnothing 0.6 \times 1000 \text{mm}$   
String



《铜丝》 $\varnothing 0.5 \times 50 \text{mm}$   
Wire



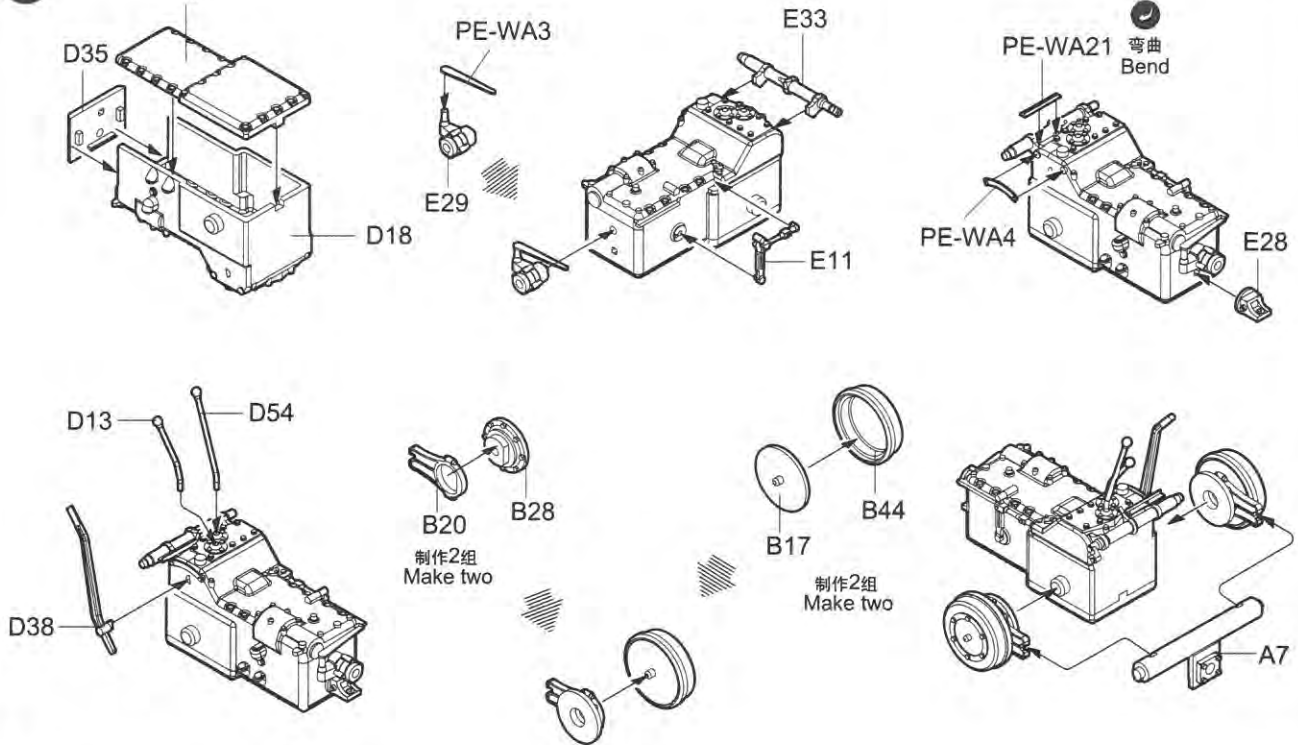
《水贴纸》  
Decal



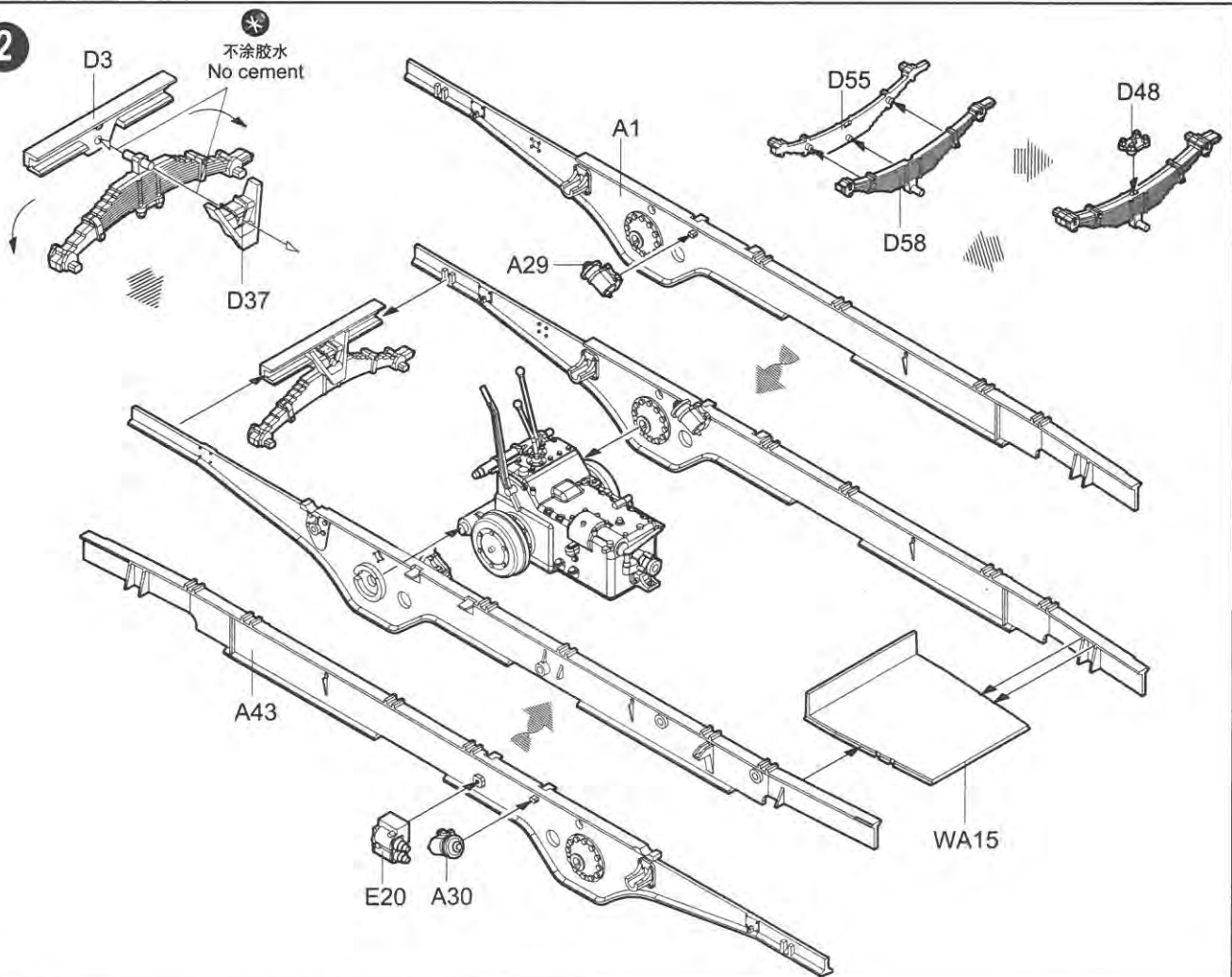
不用部品:A12.A13.A33.B6.B7.B14.B19.B23.B38.B43.B46.D33.D49.D51.D52

Unused parts:

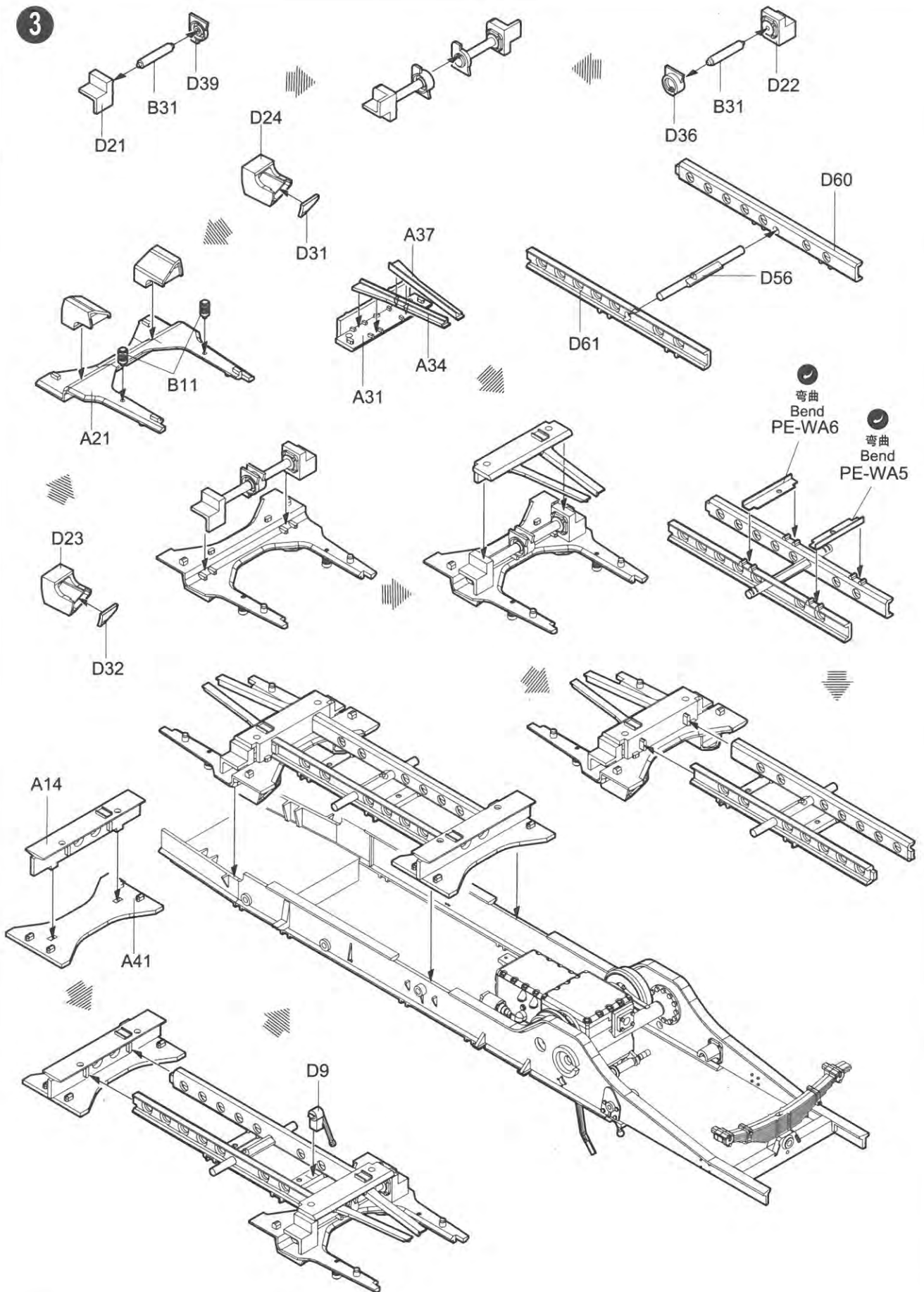
1



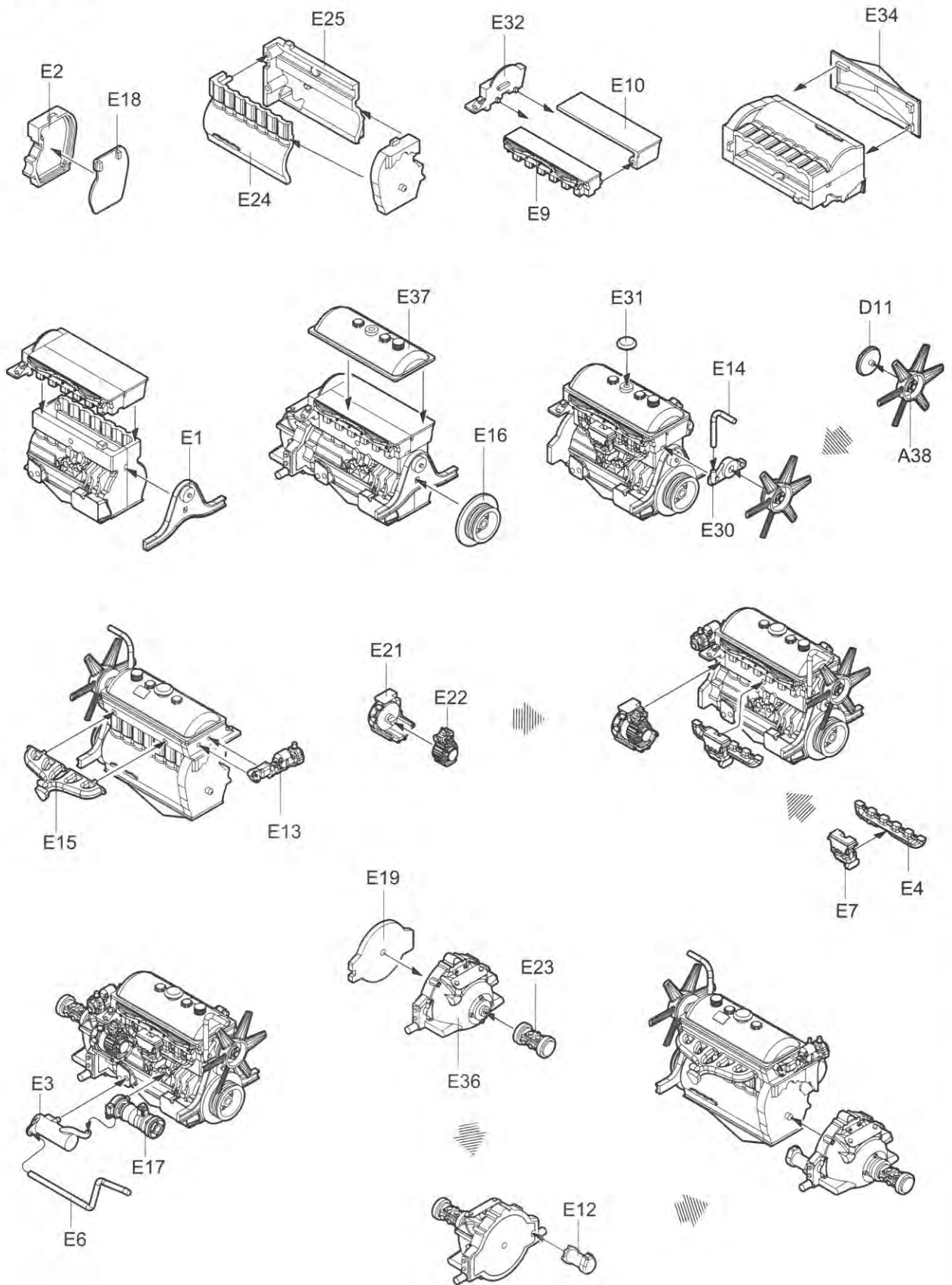
2



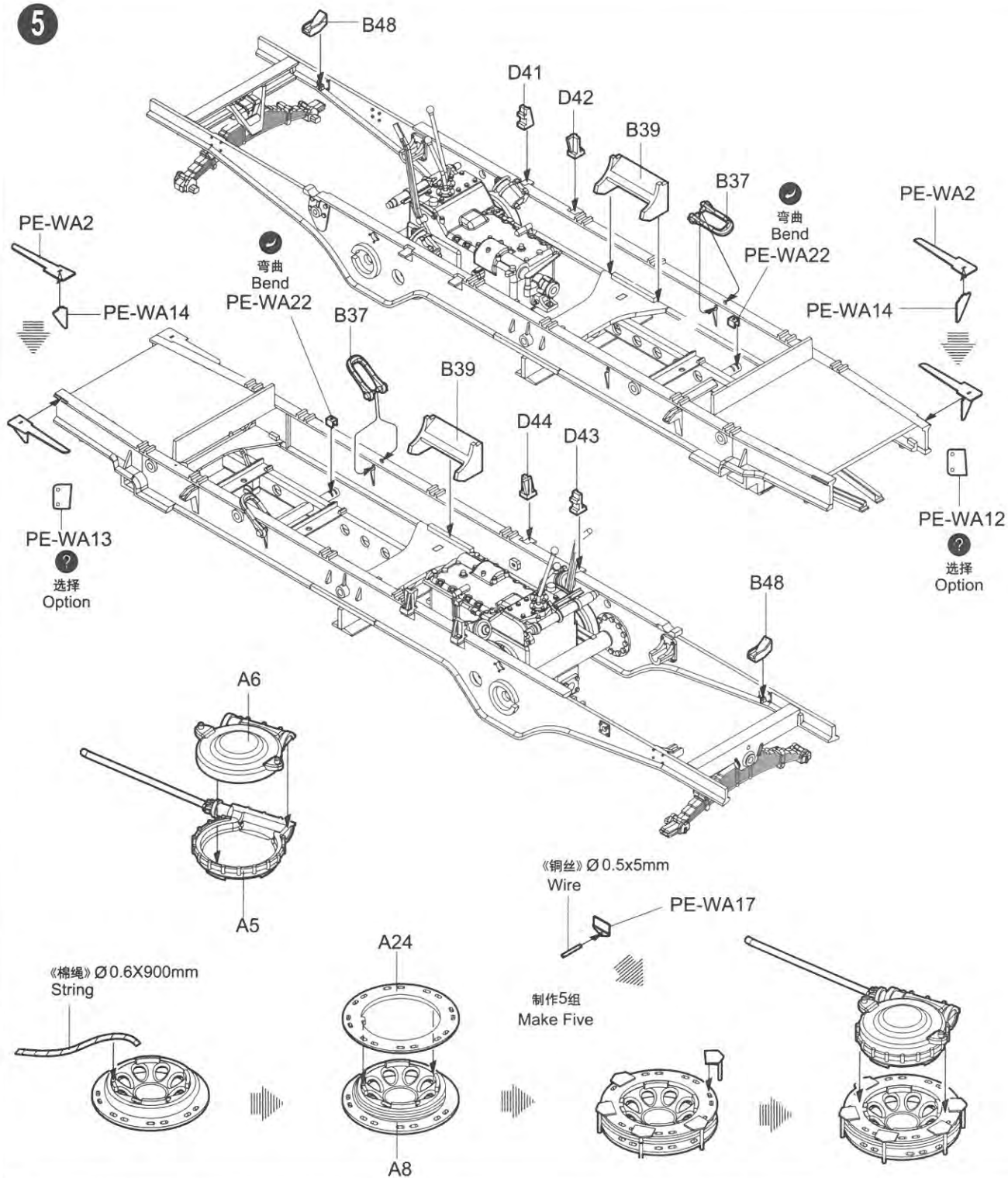
3



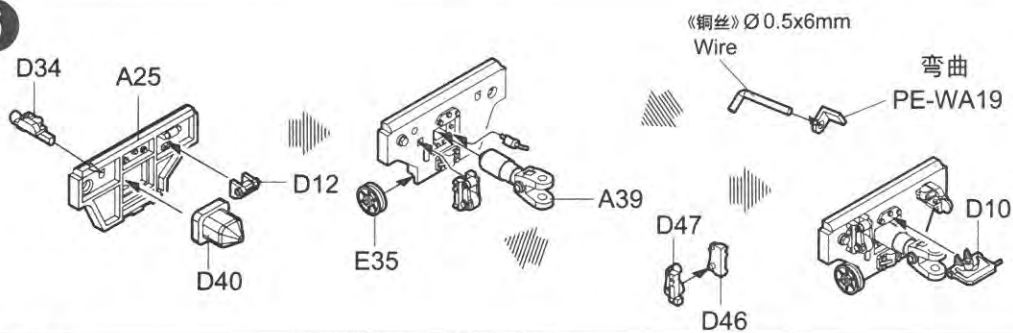
4 《发动机》  
Engine



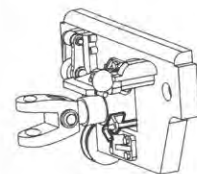
5

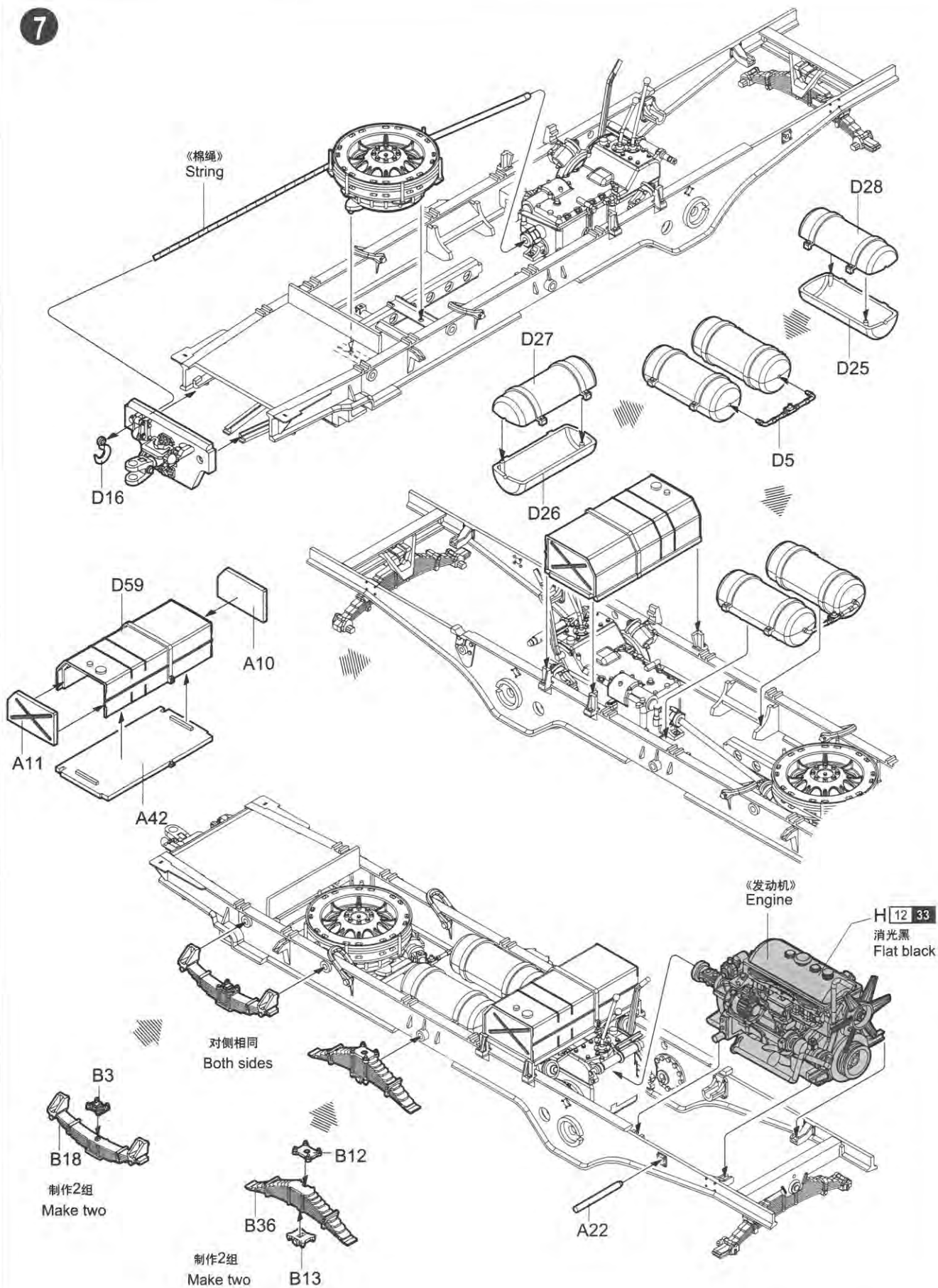


6

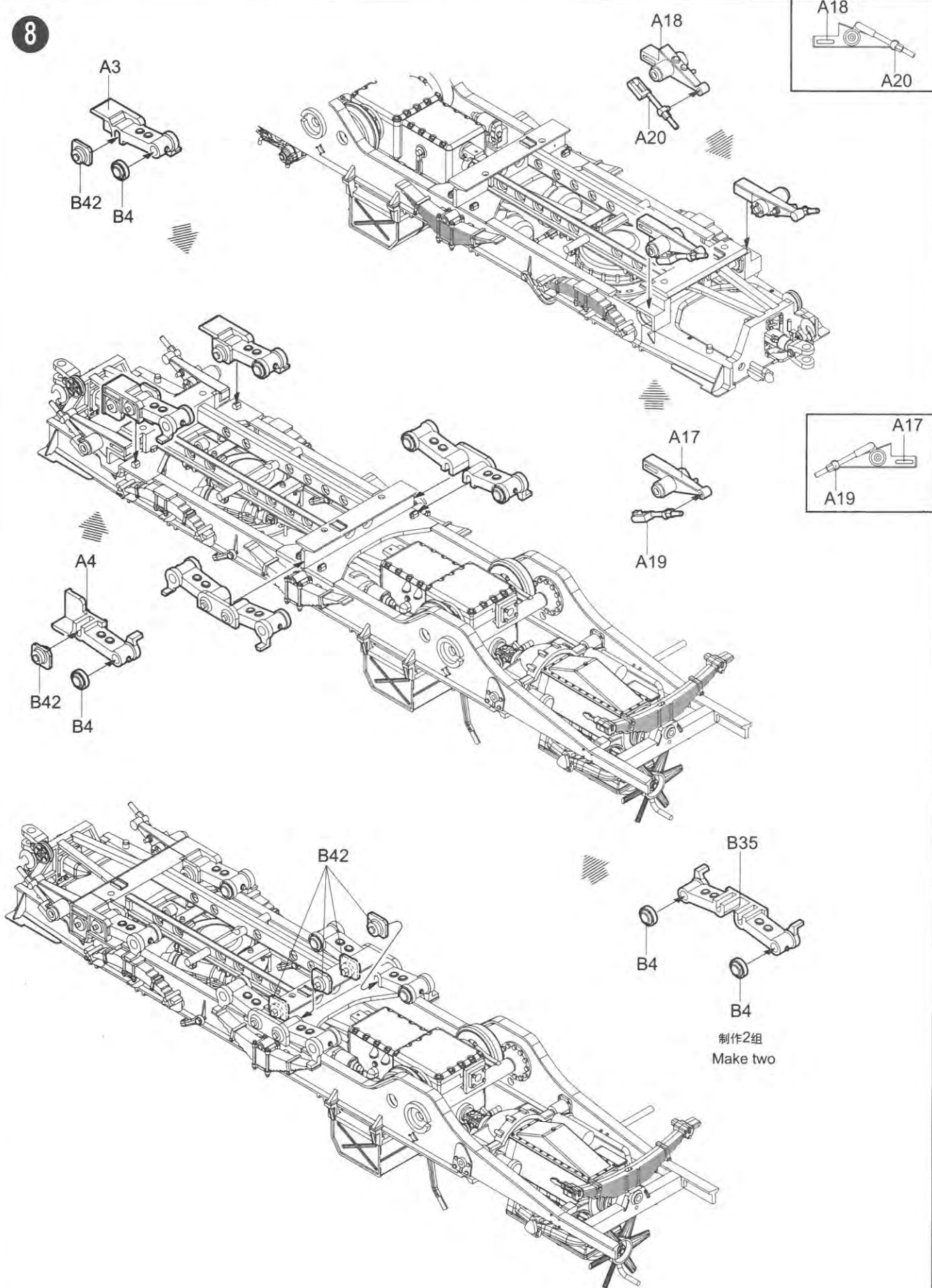


完成示意图  
Install shown



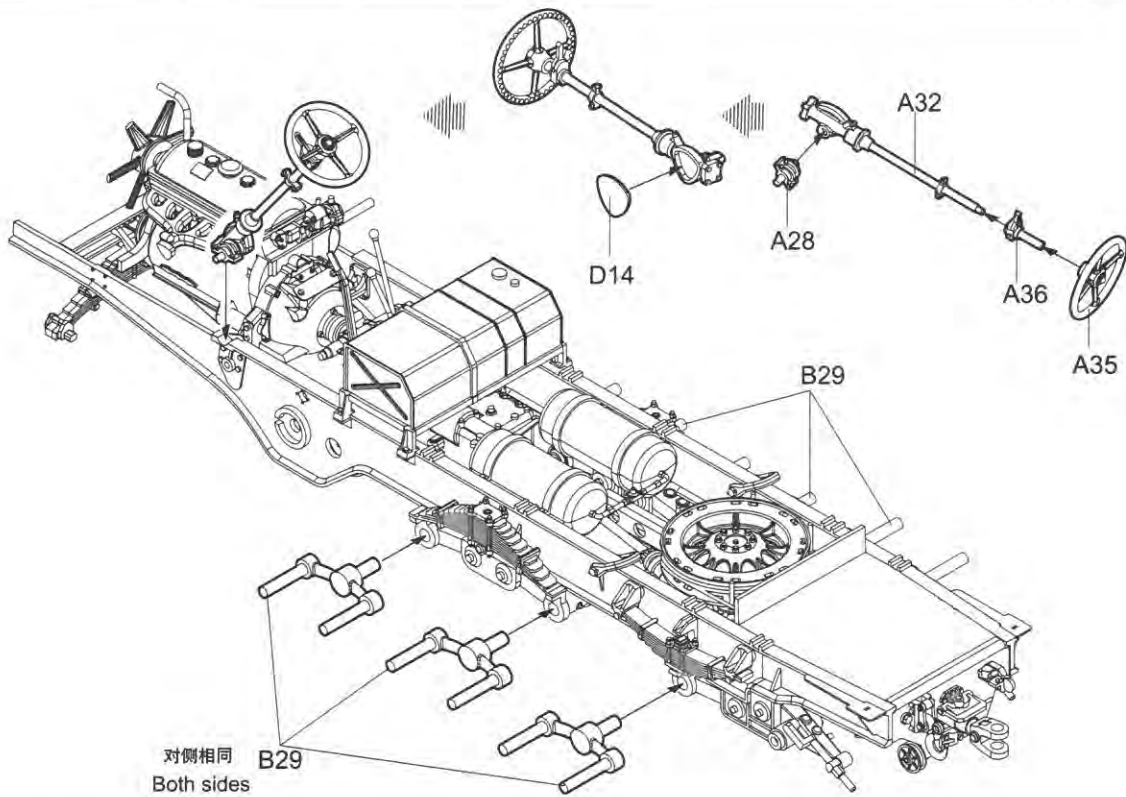


8

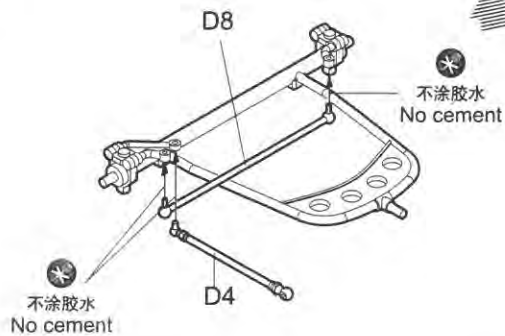
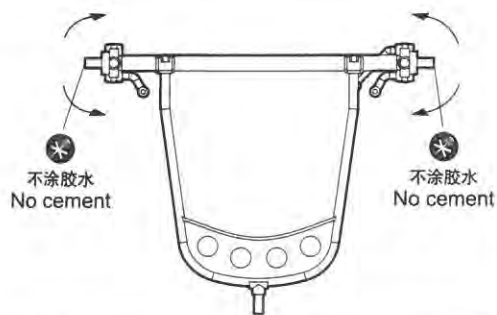
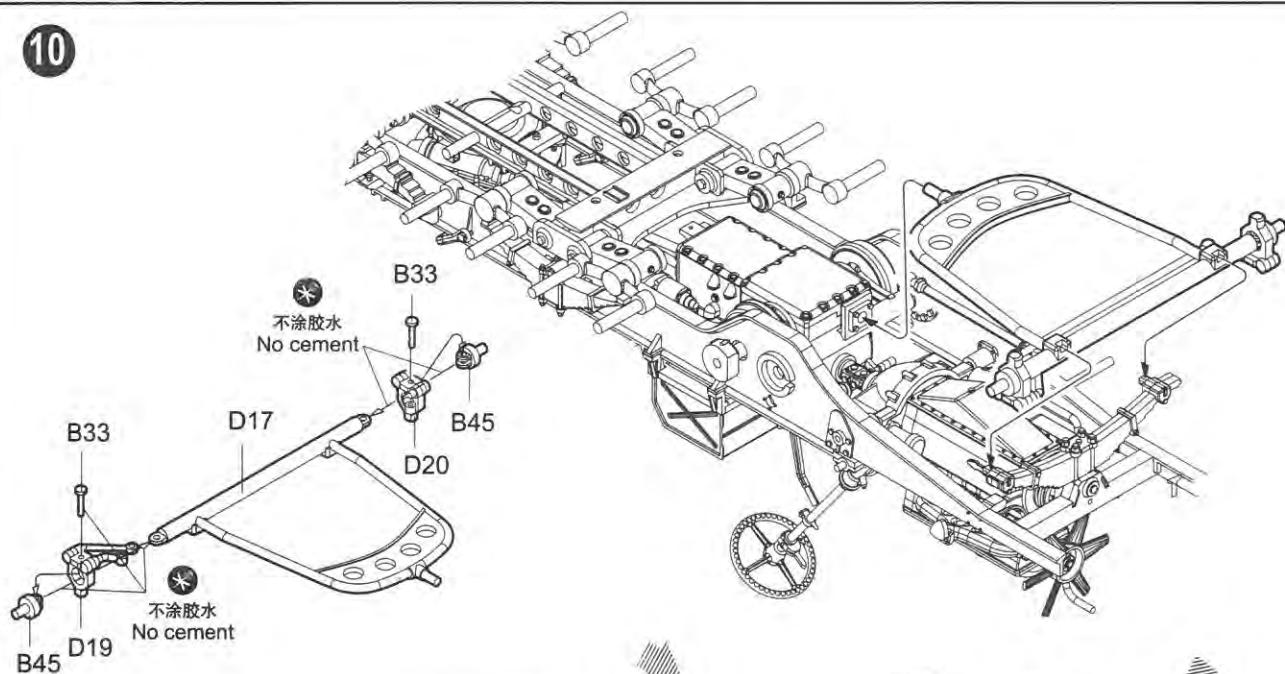




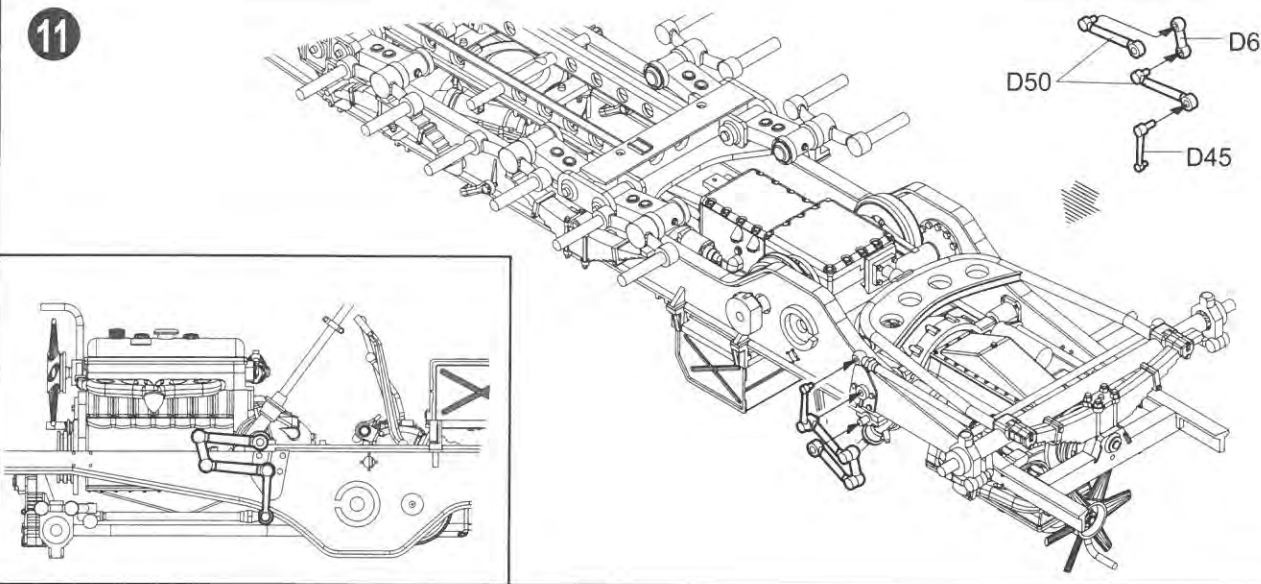
9



10



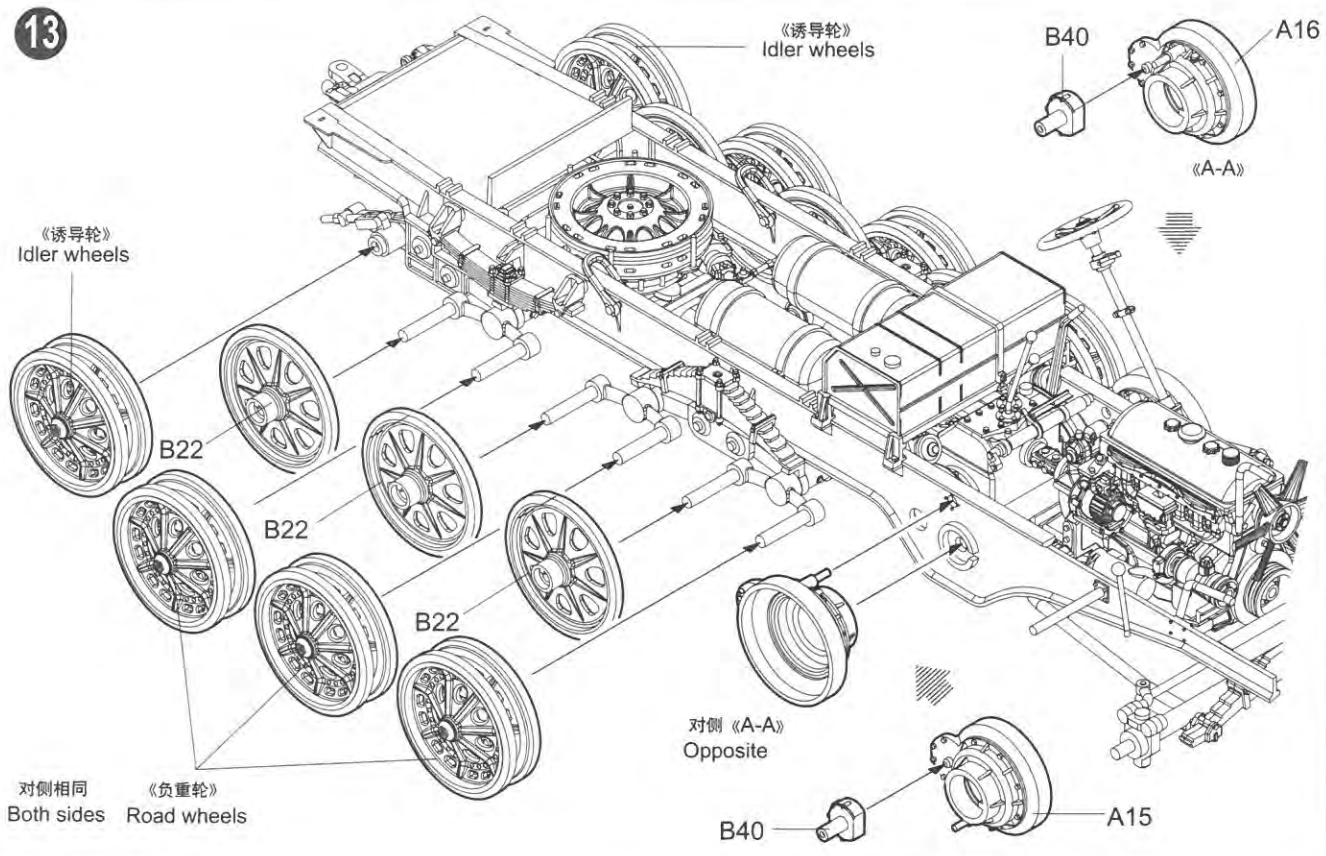
11



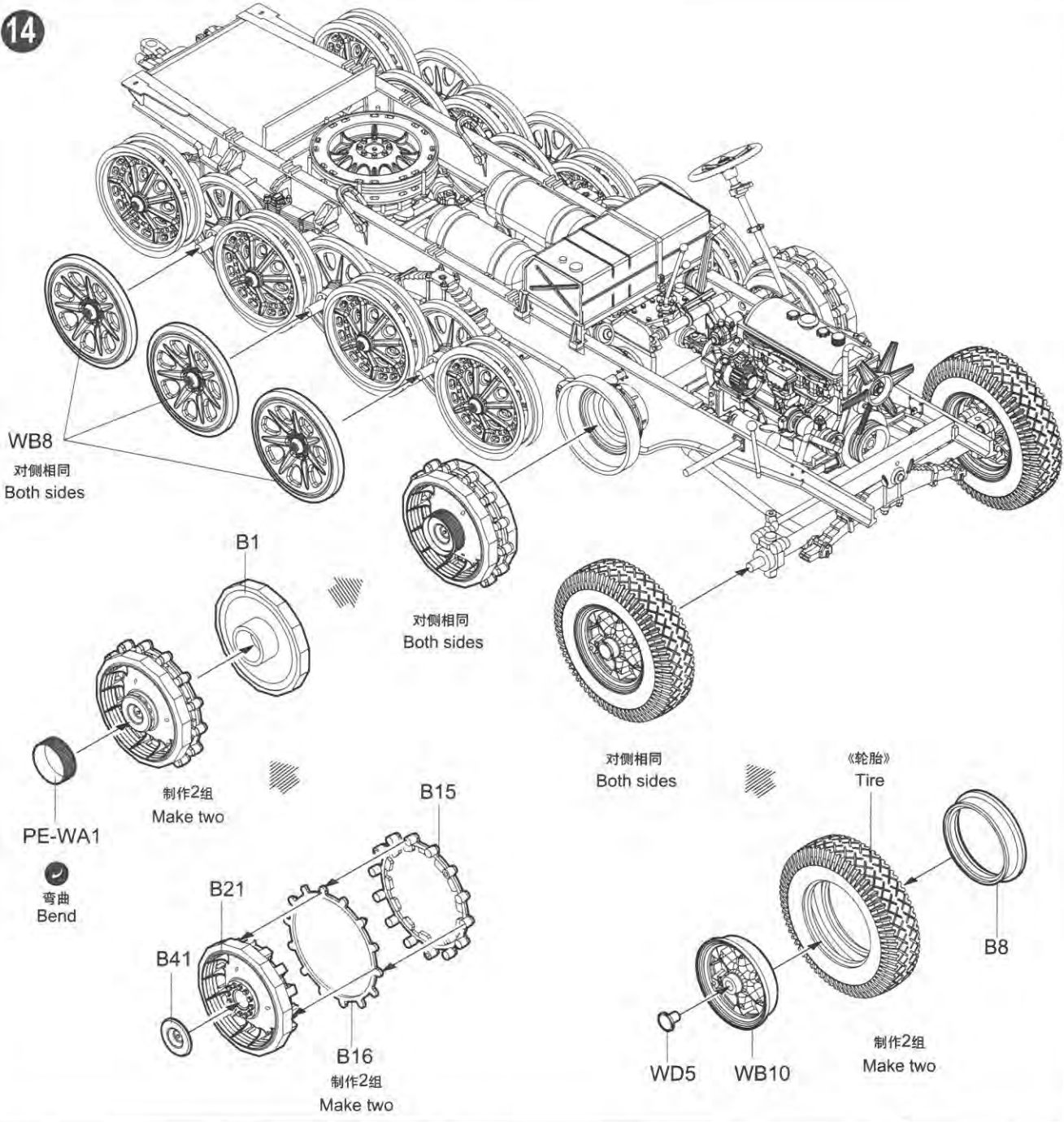
12 车轮组装  
Wheels assembly



13

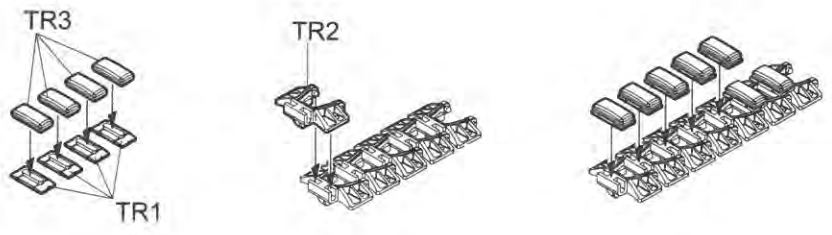


14

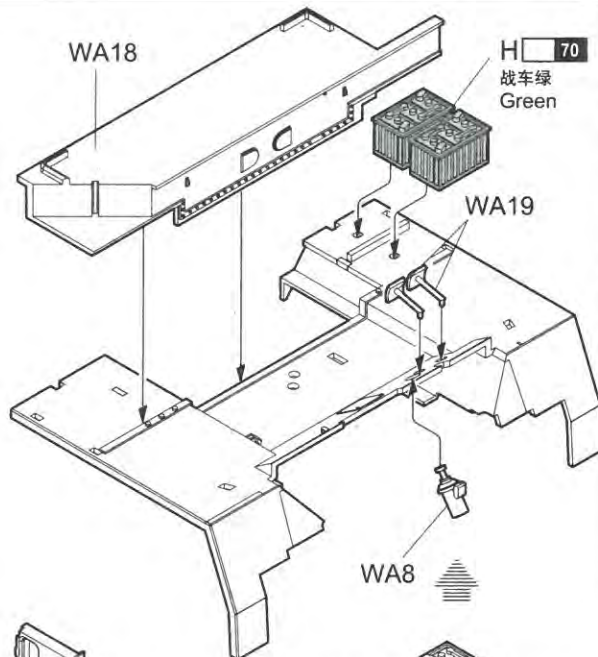
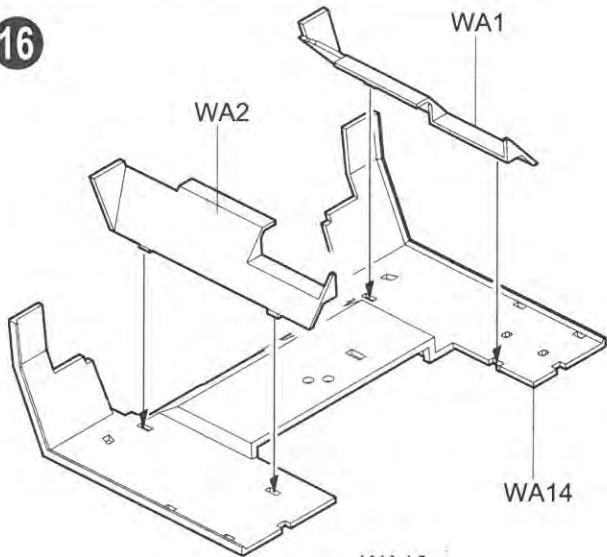


15 履带组装  
Track assembly

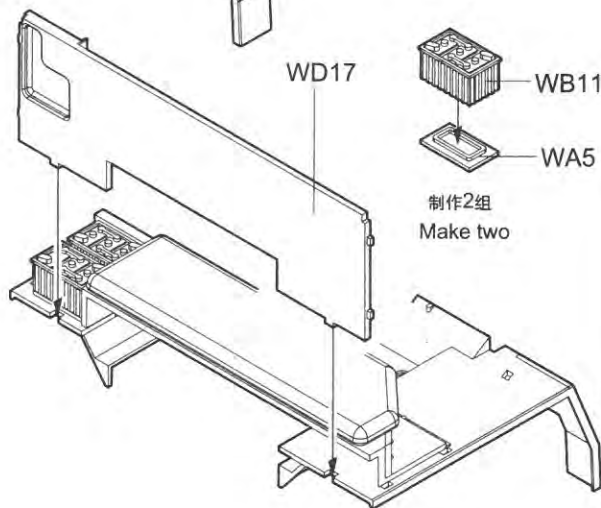
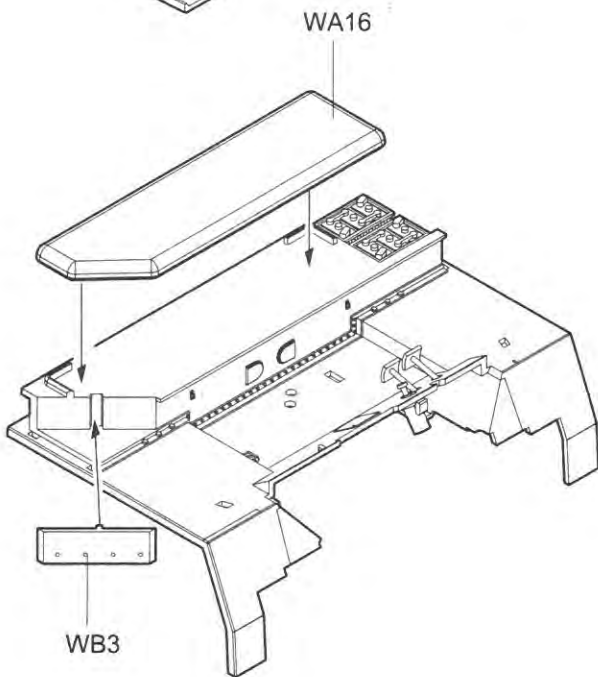
单侧履带需54节  
Complete track for one  
side requires 54links



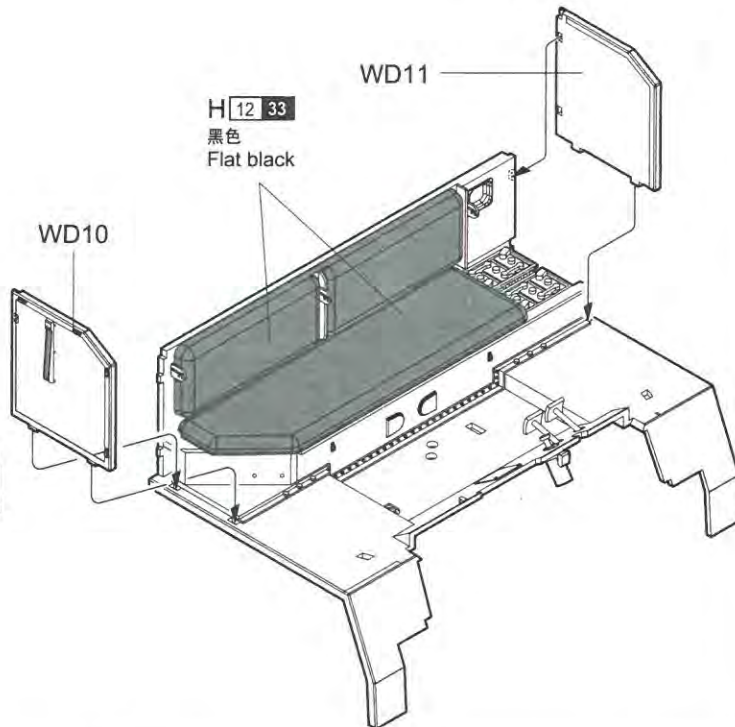
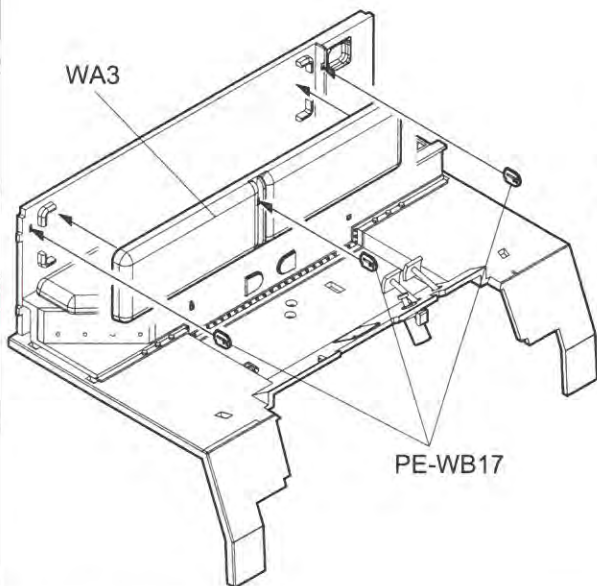
16



H 70  
战车绿  
Green

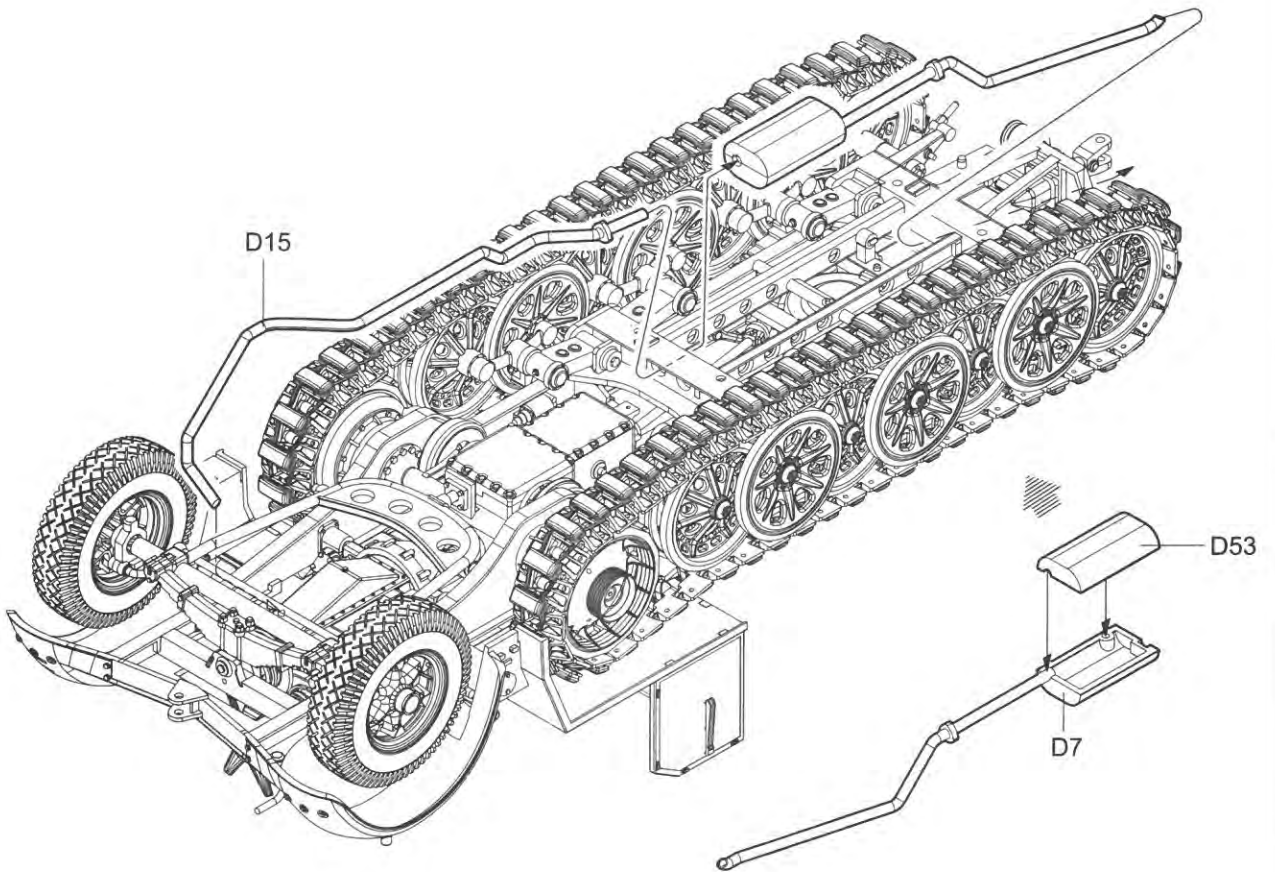
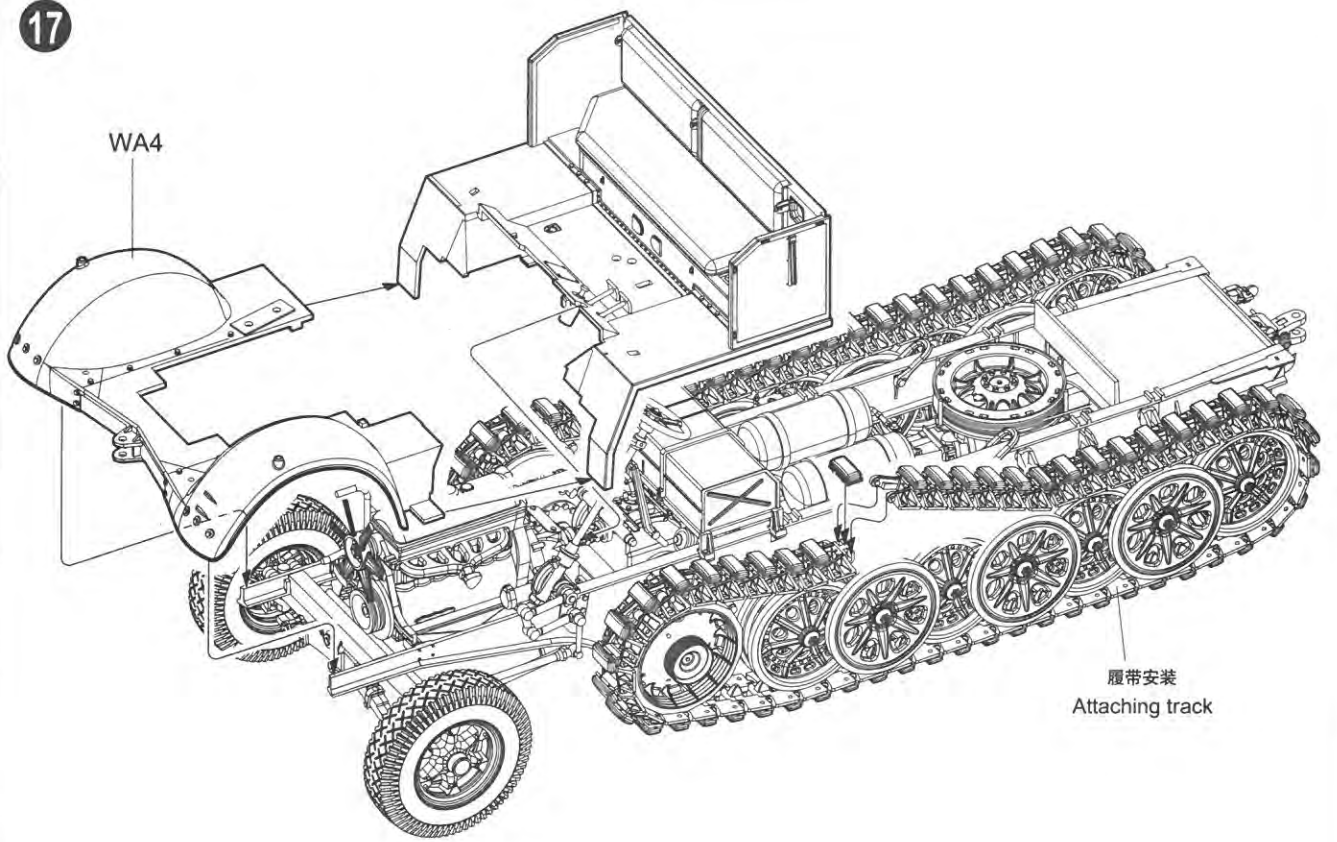


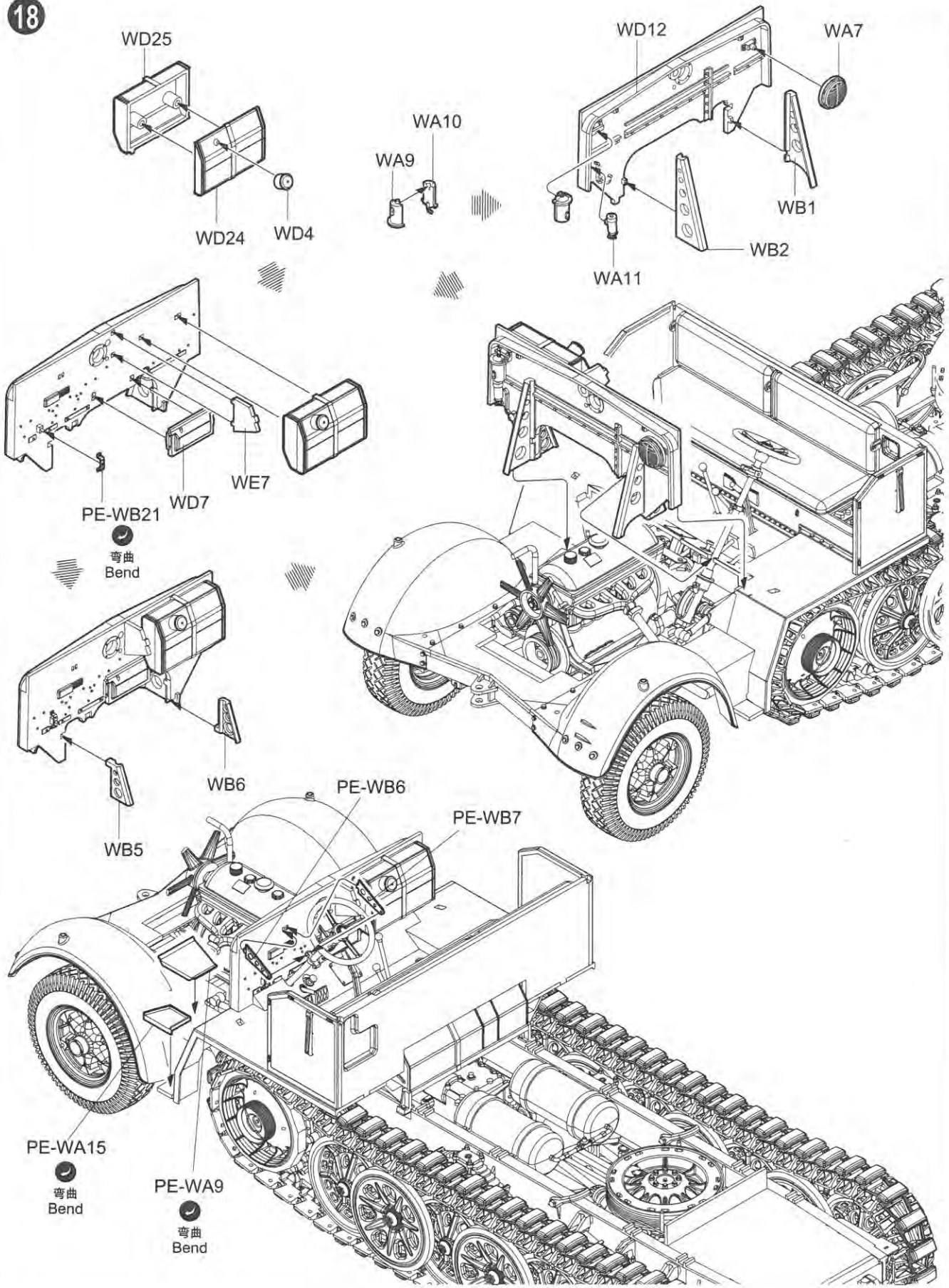
制作2组  
Make two

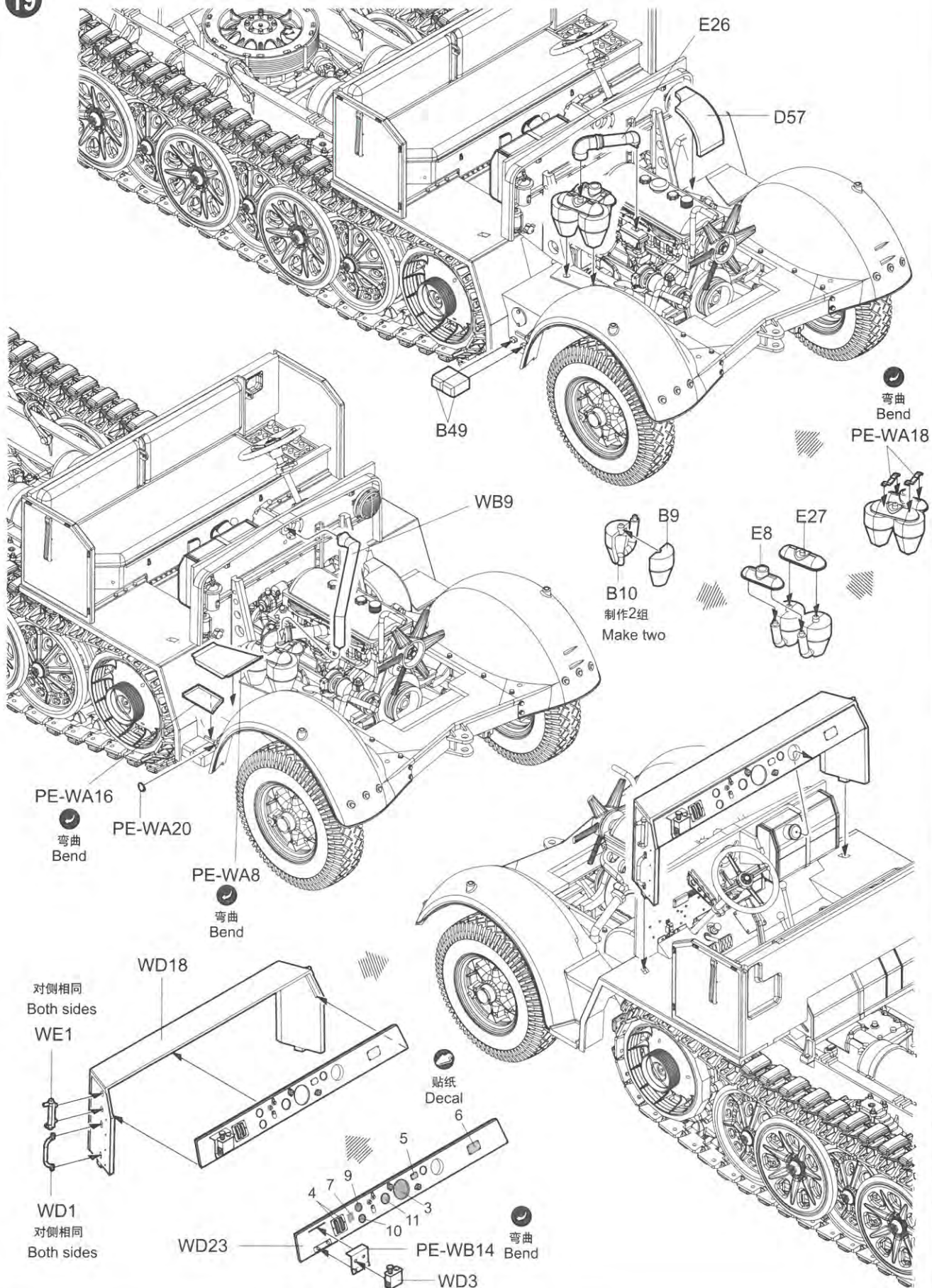


H 12 33  
黑色  
Flat black

17







E26

D57

B49

WB9

B9

B10

制作2组

Make two

E8

E27

PE-WA16

PE-WA20

PE-WA8

WD18

对侧相同  
Both sides

WE1

WD1

对侧相同  
Both sides

WD23

贴纸  
Decal

6

5

9

7

10

11

3

4

1

2

8

12

13

14

15

16

17

18

19

20

21

22

23

24

25

26

27

28

29

30

31

32

33

34

35

36

37

38

39

40

41

42

43

44

45

46

47

48

49

50

51

52

53

54

55

56

57

58

59

60

61

62

63

64

65

66

67

68

69

70

71

72

73

74

75

76

77

78

79

80

81

82

83

84

85

86

87

88

89

90

91

92

93

94

95

96

97

98

99

100

101

102

103

104

105

106

107

108

109

110

111

112

113

114

115

116

117

118

119

120

121

122

123

124

125

126

127

128

129

130

131

132

133

134

135

136

137

138

139

140

141

142

143

144

145

146

147

148

149

150

151

152

153

154

155

156

157

158

159

160

161

162

163

164

165

166

167

168

169

170

171

172

173

174

175

176

177

178

179

180

181

182

183

184

185

186

187

188

189

190

191

192

193

194

195

196

197

198

199

200

201

202

203

204

205

206

207

208

209

210

211

212

213

214

215

216

217

218

219

220

221

222

223

224

225

226

227

228

229

230

231

232

233

234

235

236

237

238

239

240

241

242

243

244

245

246

247

248

249

250

251

252

253

254

255

256

257

258

259

260

261

262

263

264

265

266

267

268

269

270

271

272

273

274

275

276

277

278

279

280

281

282

283

284

285

286

287

288

289

290

291

292

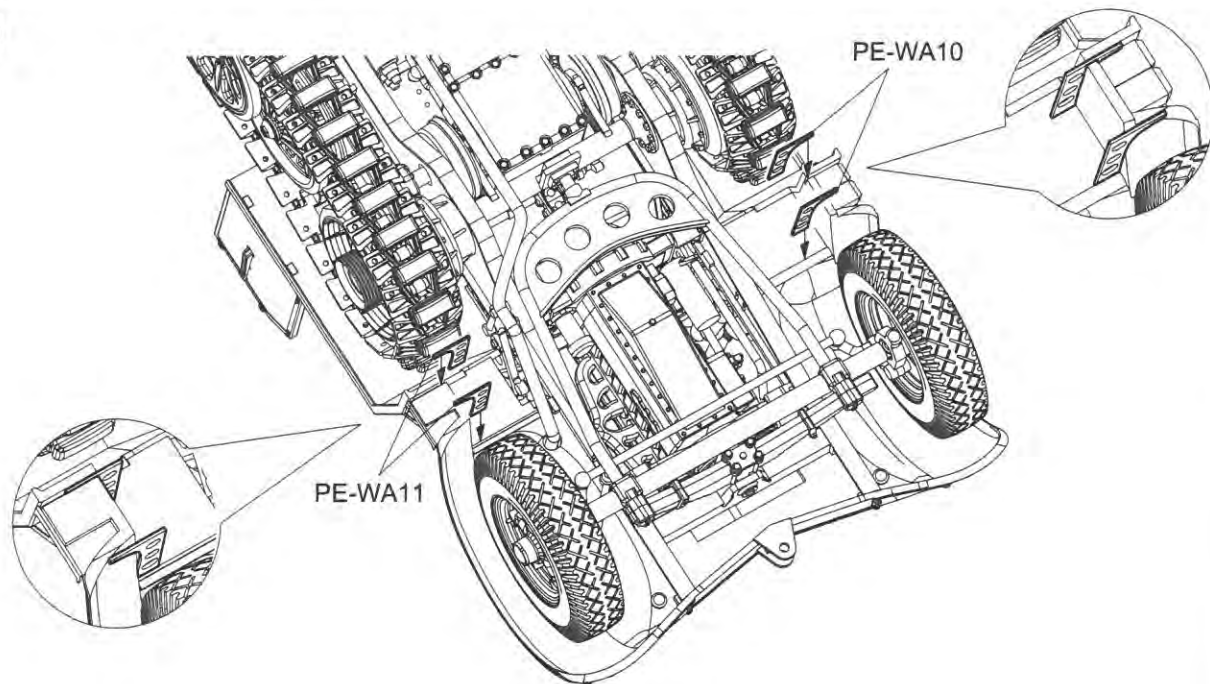
293

294

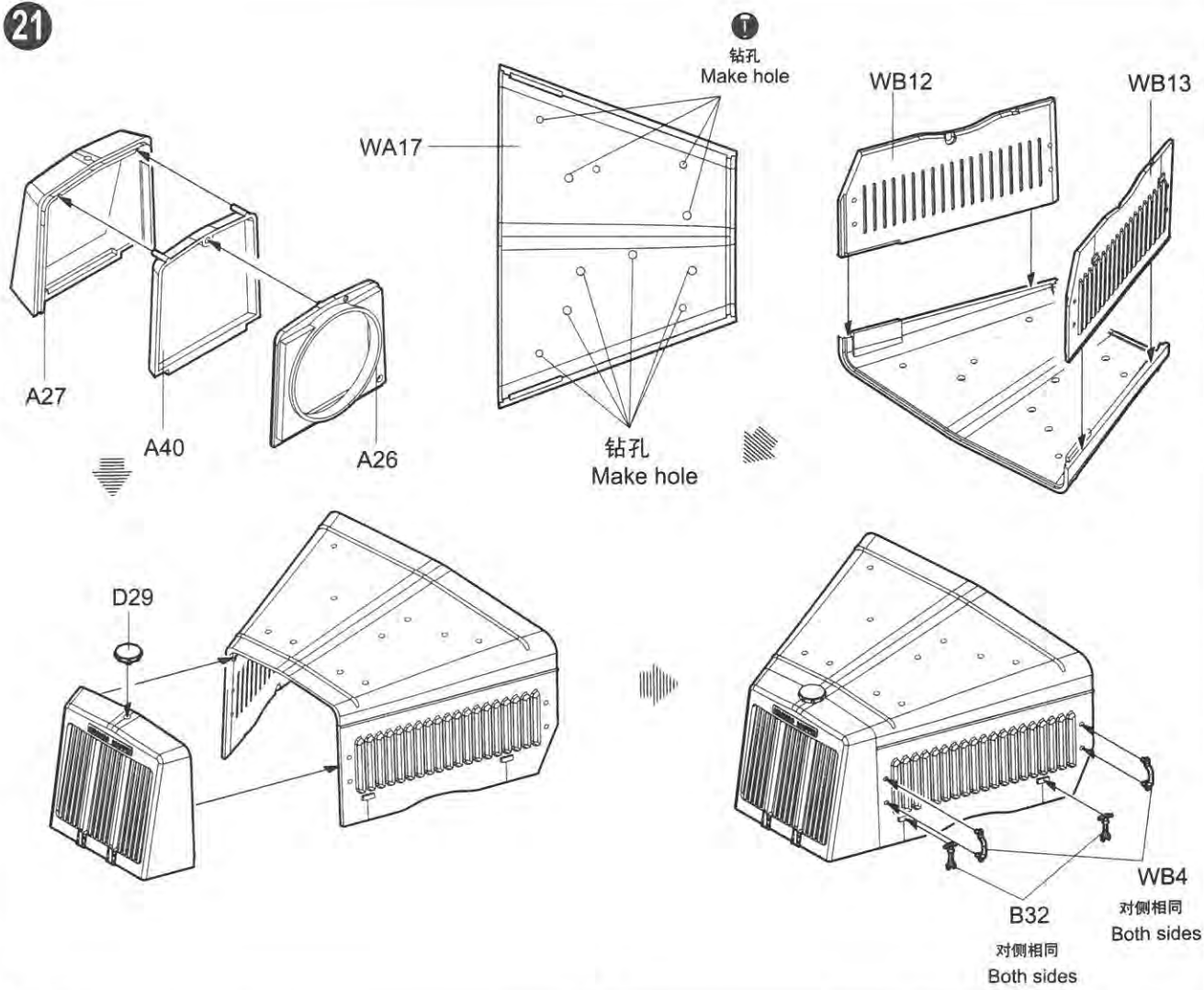
295

296

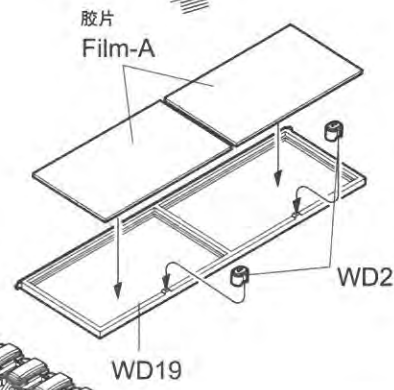
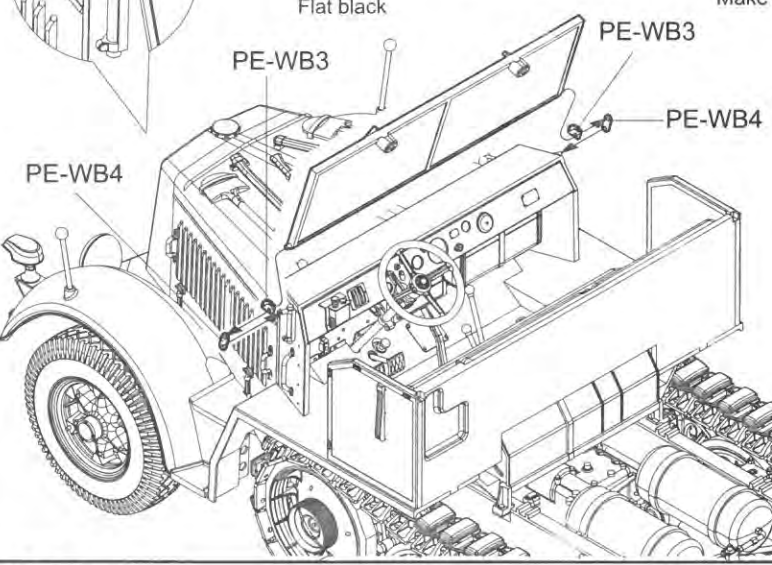
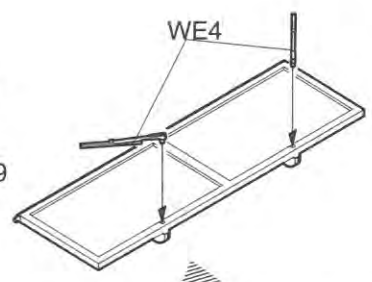
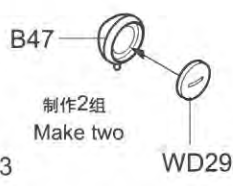
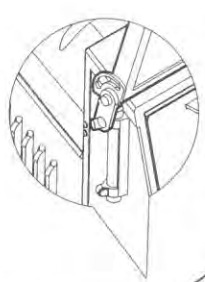
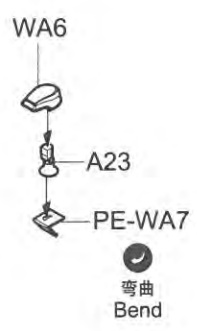
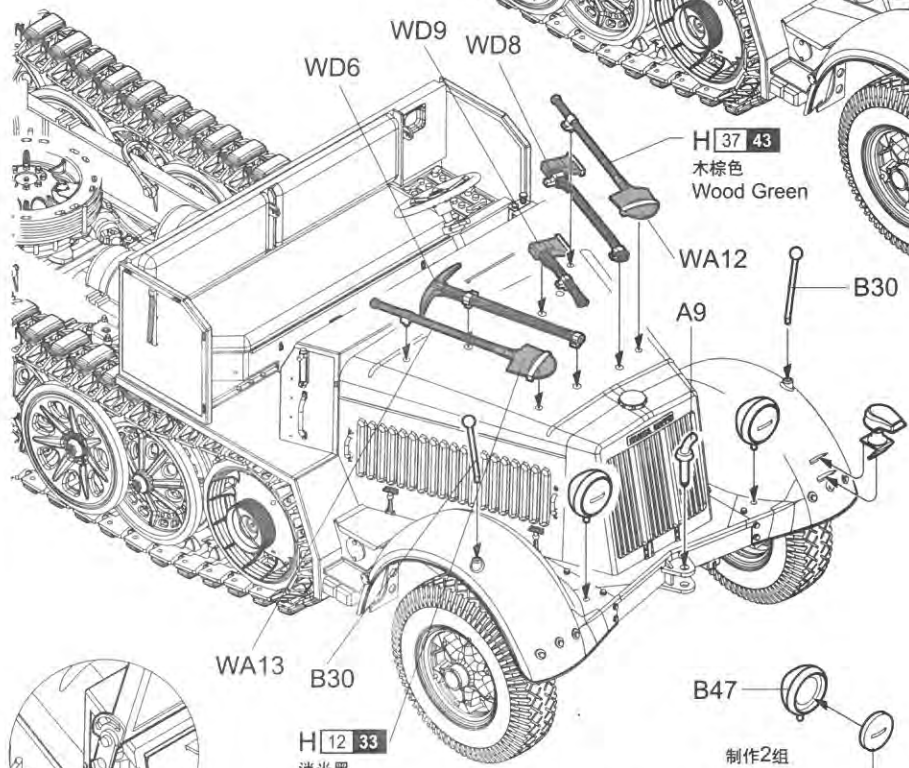
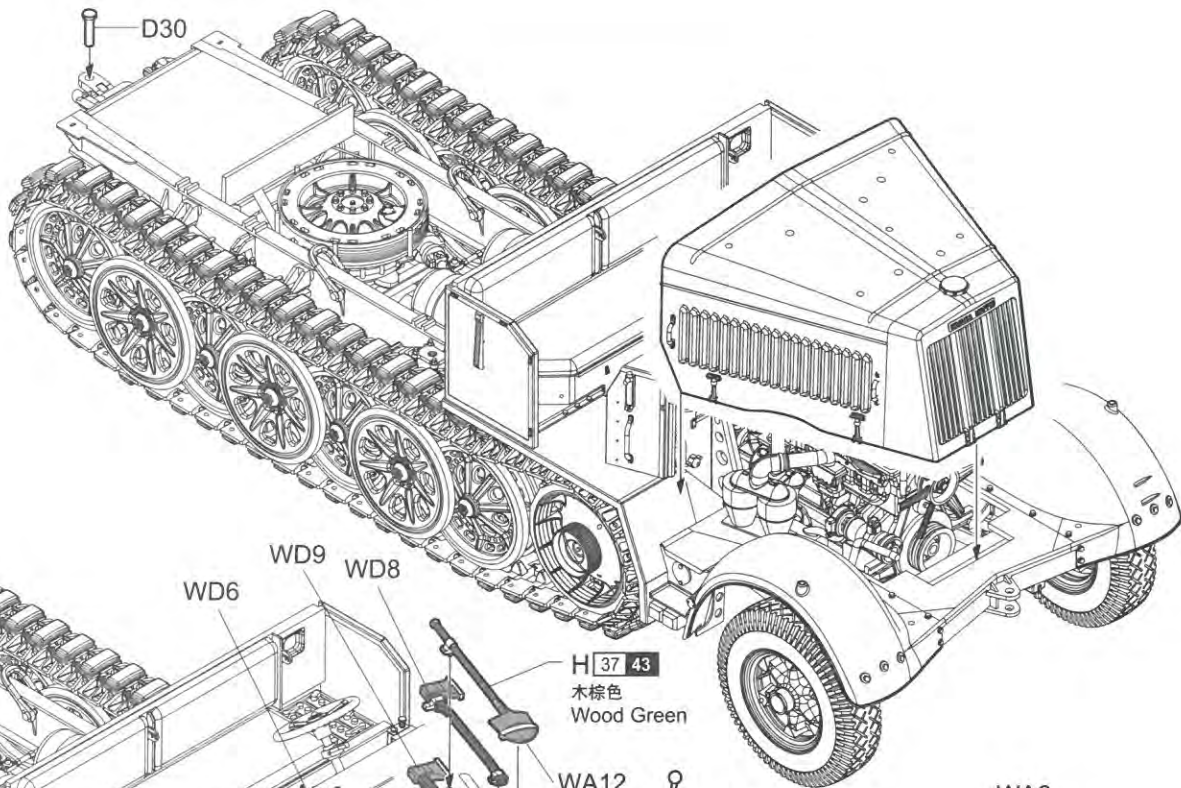
20



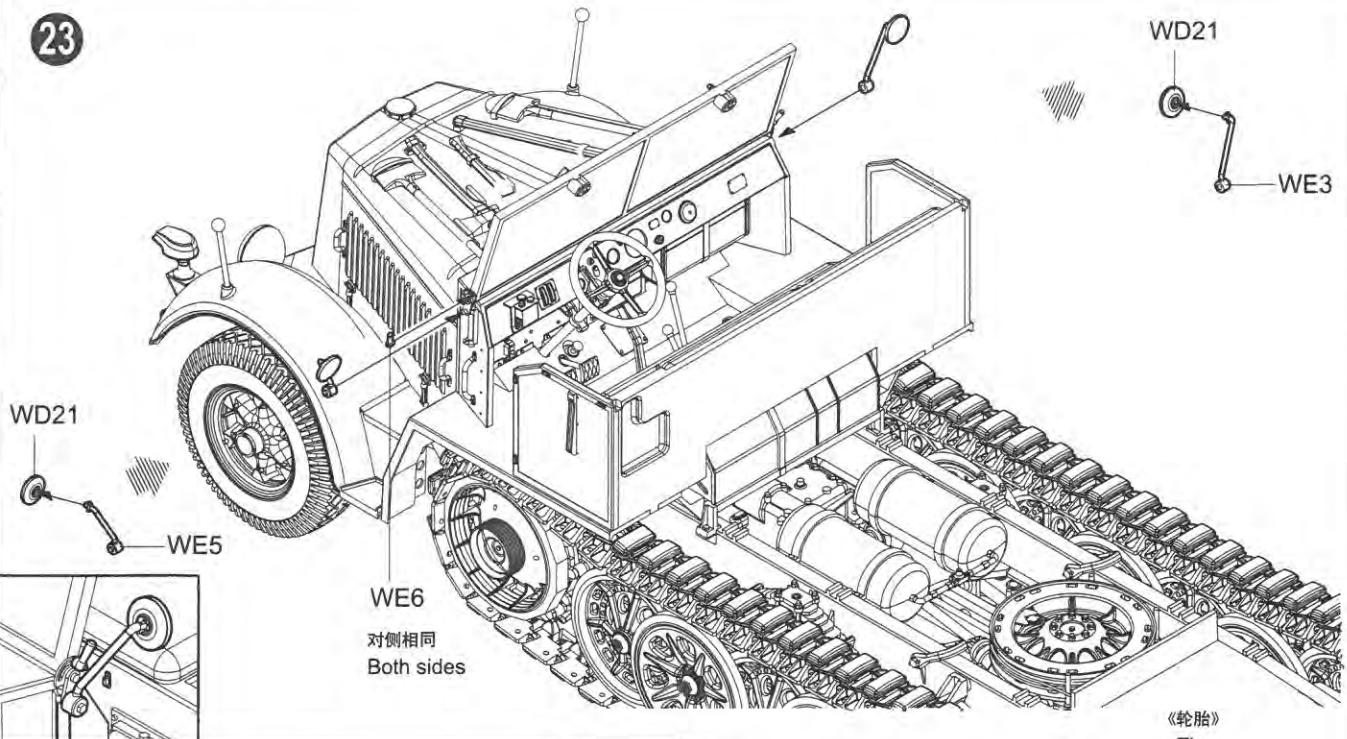
21



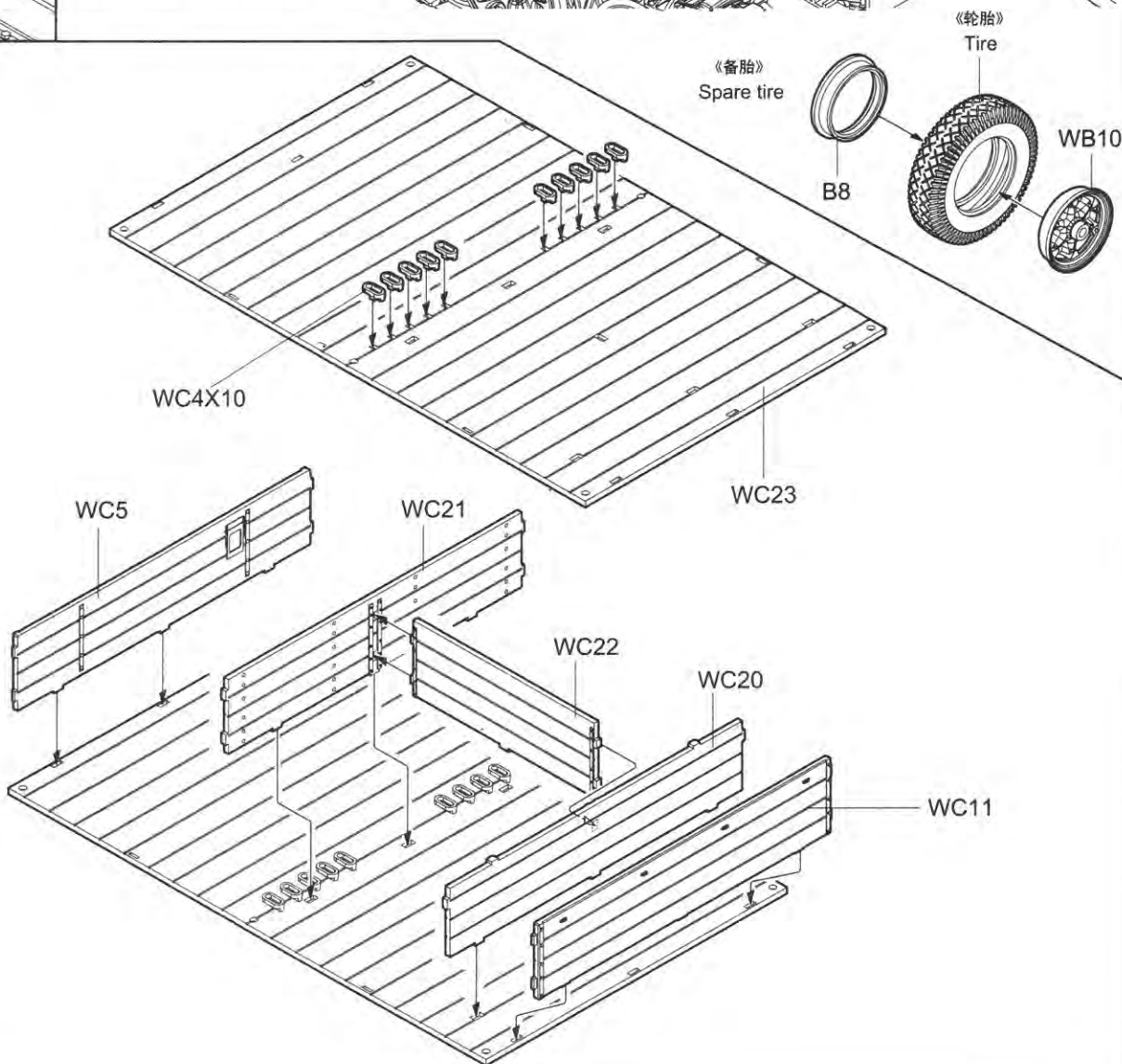


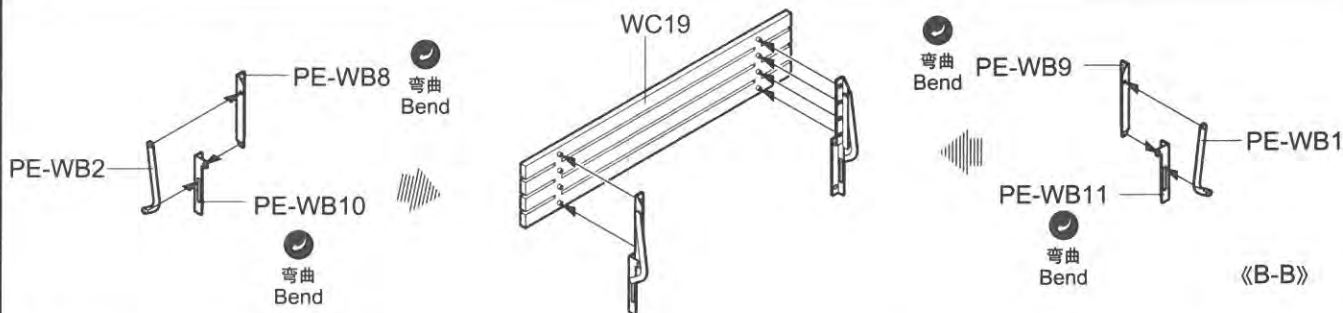
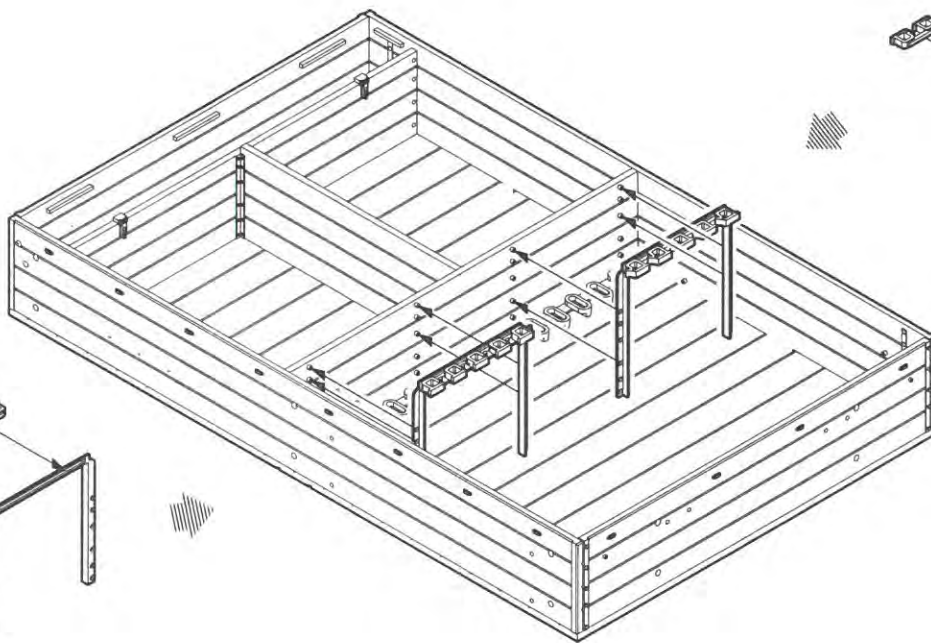
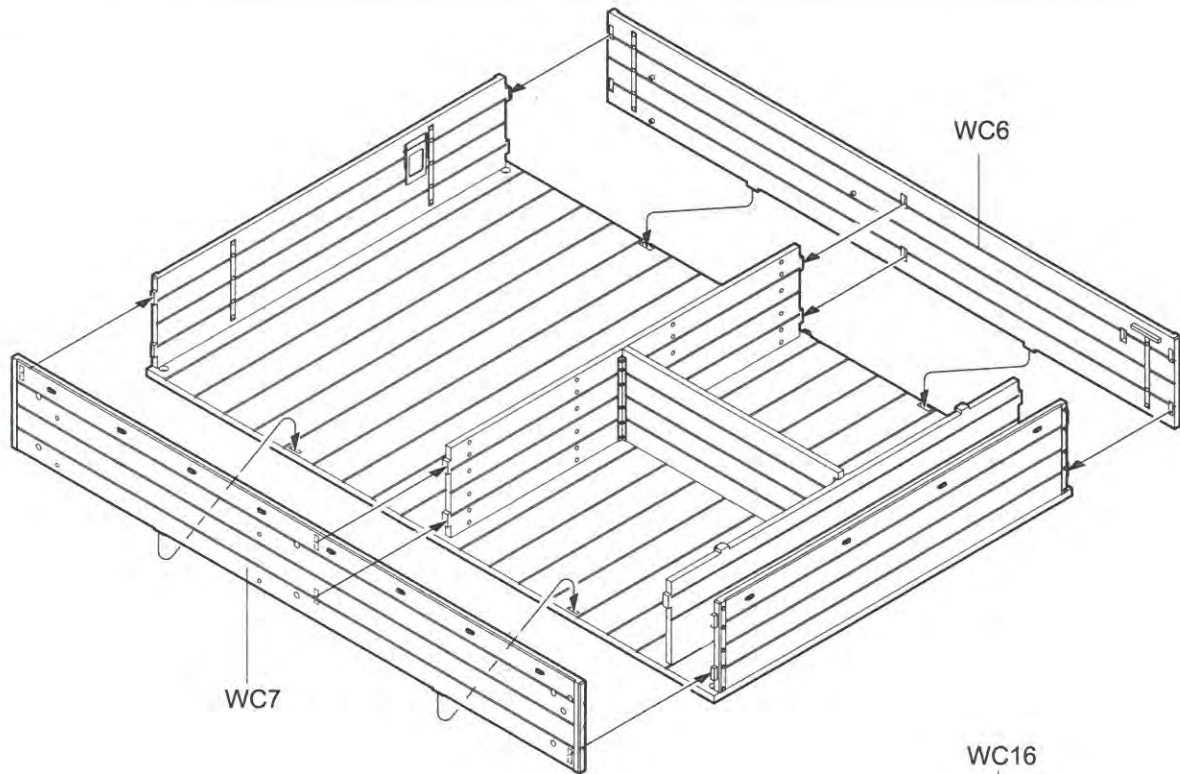


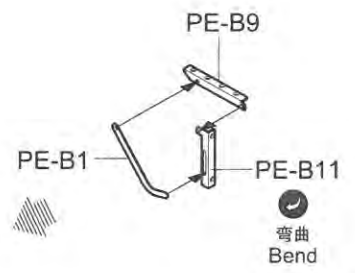
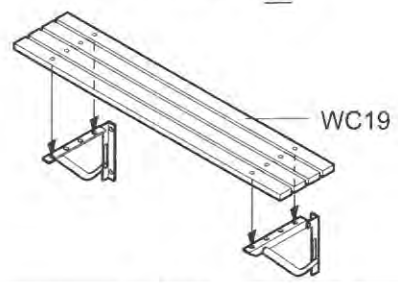
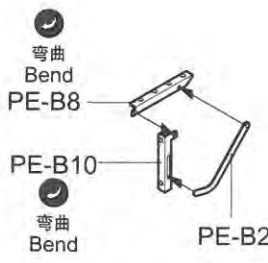
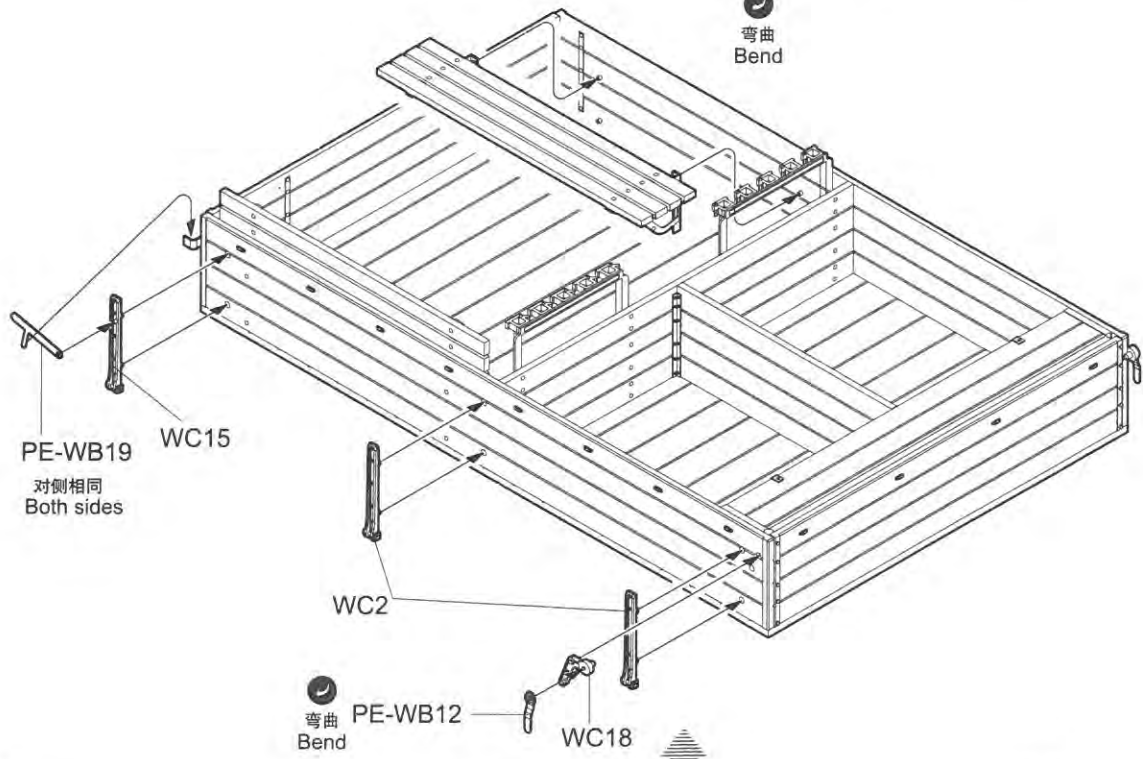
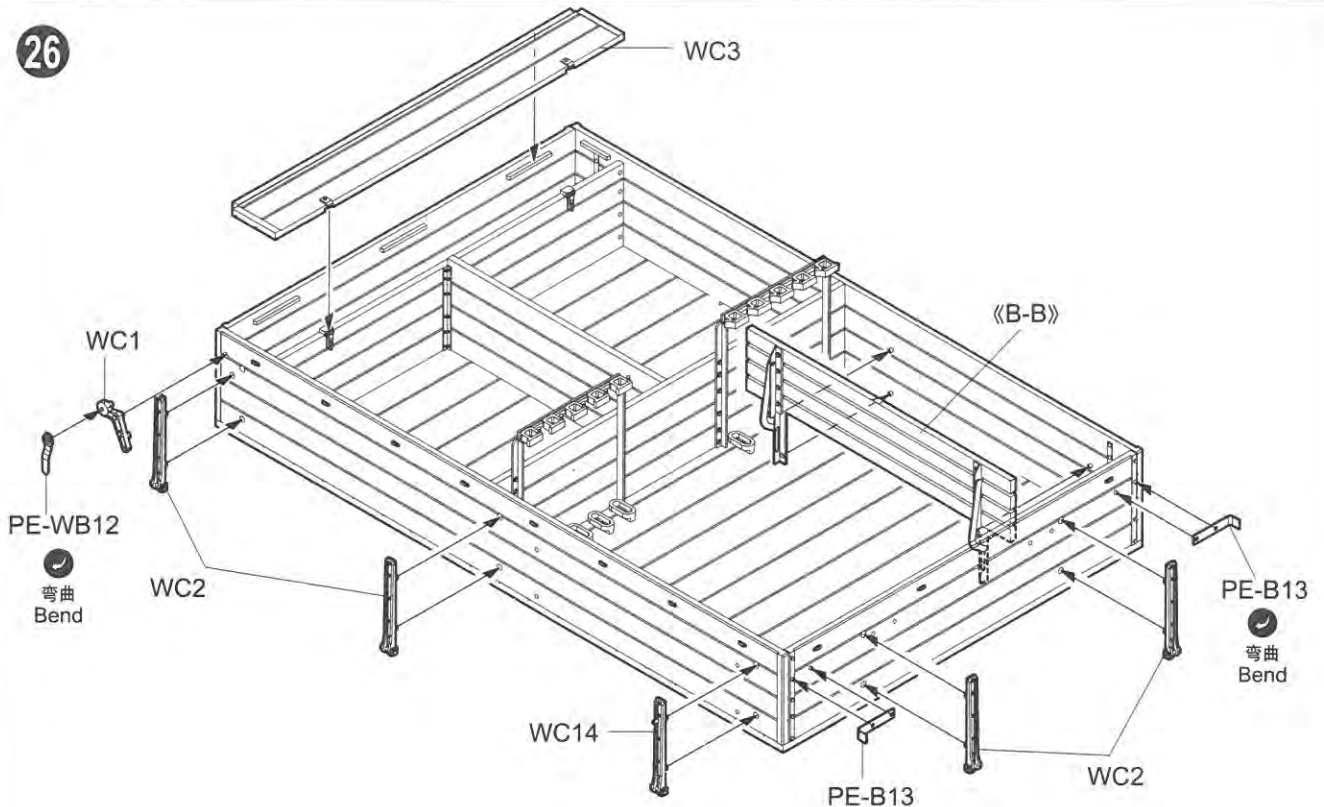
23



24







27

WC12

WD26

WD27

WC13

WD14

WD22

WD13

WD20

PE-WB18

WE8

WD16

WD22

弯曲

Bend

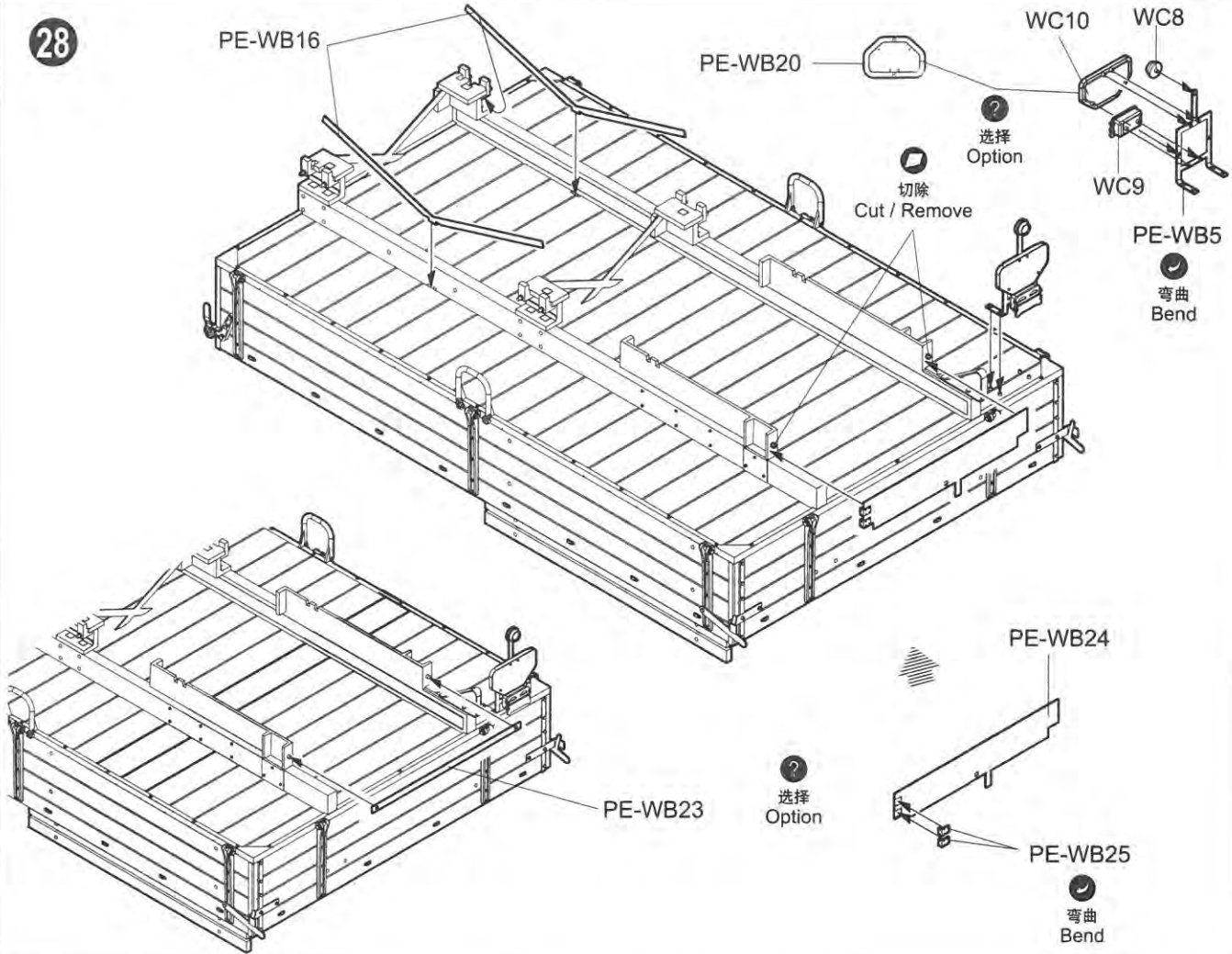
PE-WB22

WD15

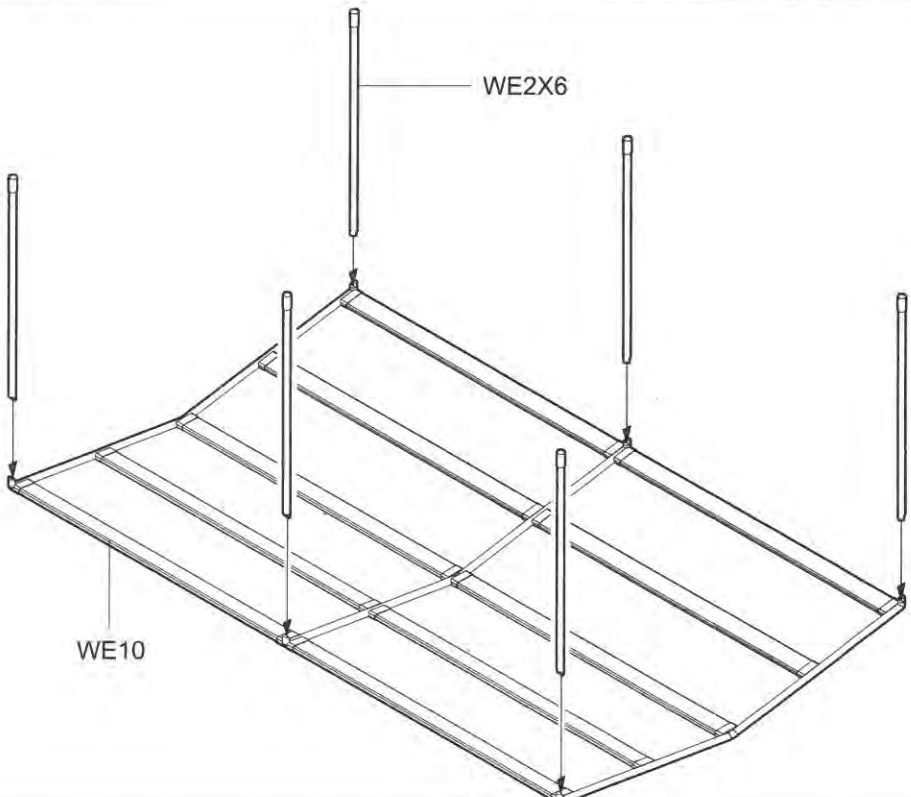
WD20

WE8

28

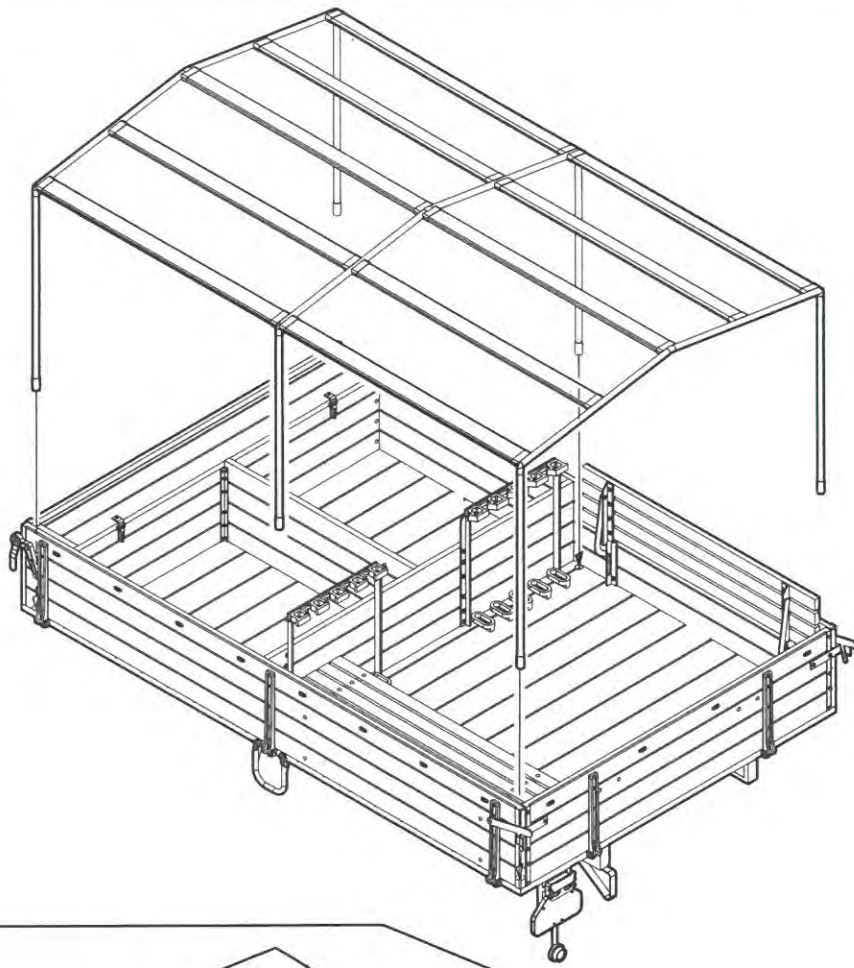


29



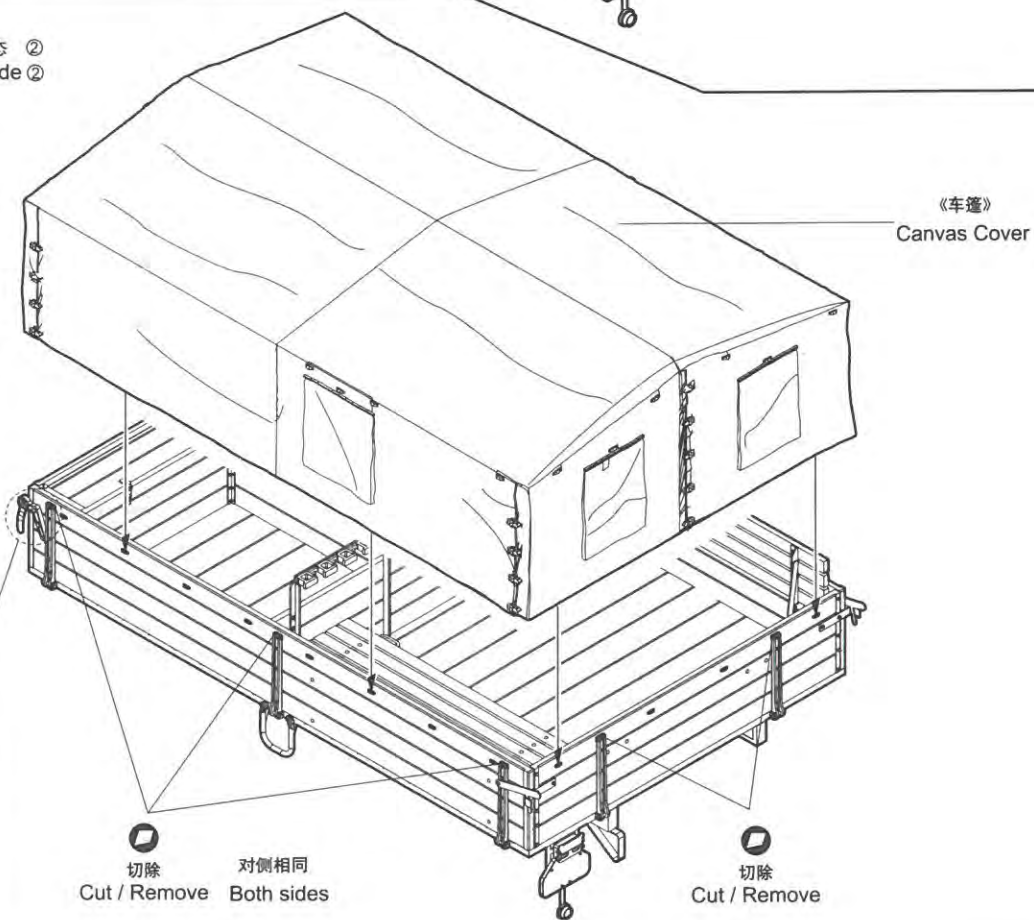
30

②  
选择 状态 ①  
Option Mode ①

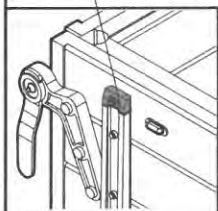


31

②  
选择 状态 ②  
Option Mode ②



②  
切除  
Cut / Remove

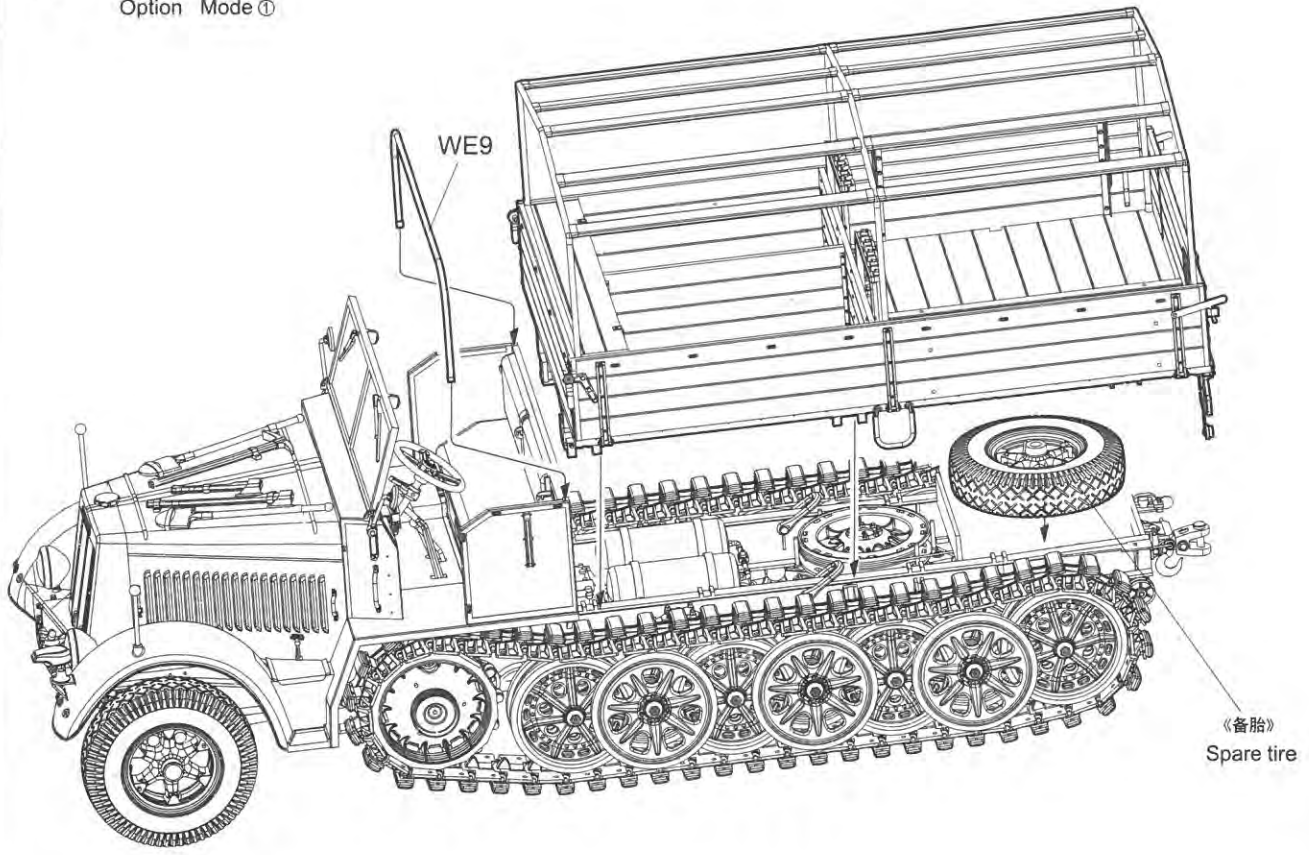


②  
切除 对侧相同  
Cut / Remove Both sides

②  
切除  
Cut / Remove

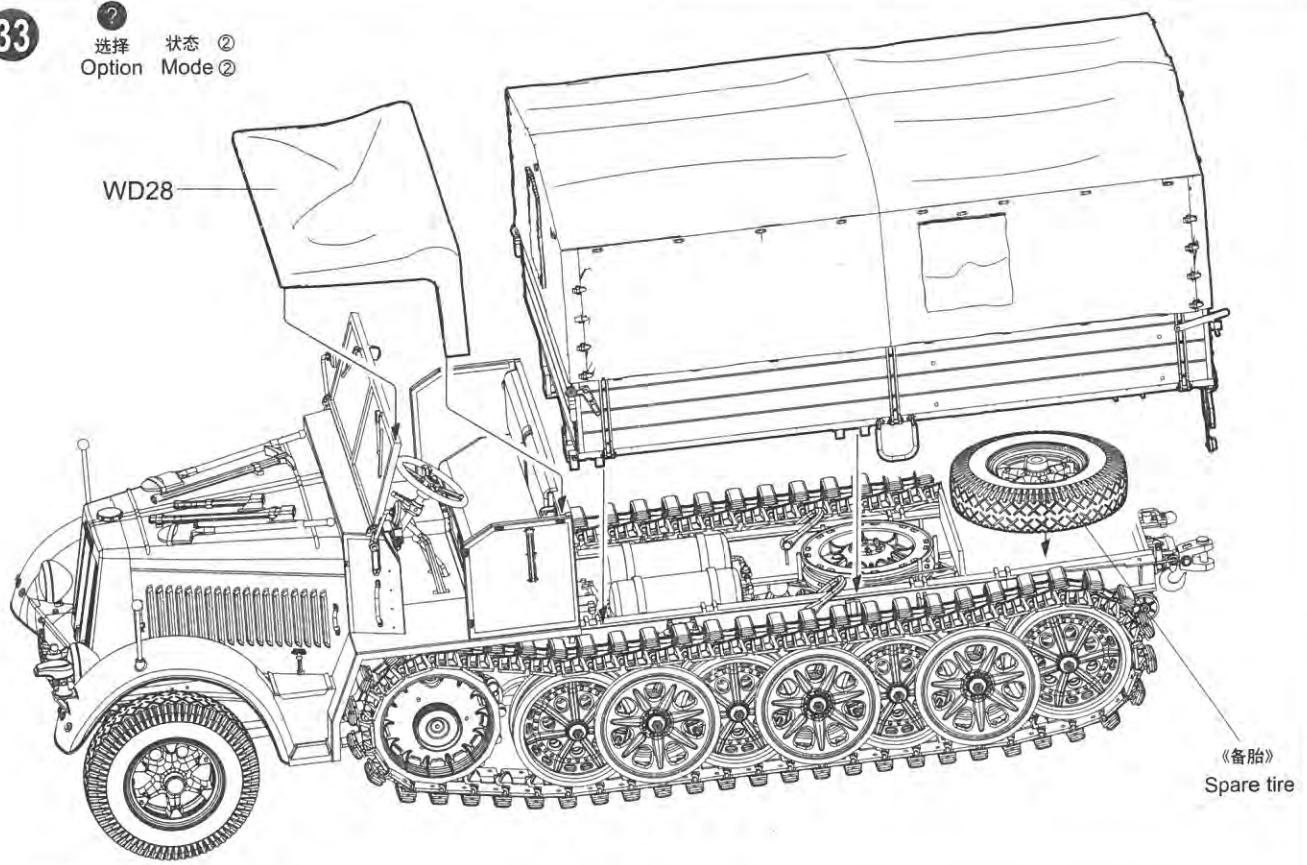
32

选择 状态 ①  
Option Mode ①



33

选择 状态 ②  
Option Mode ②

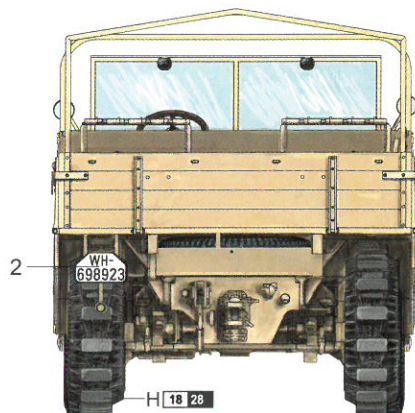
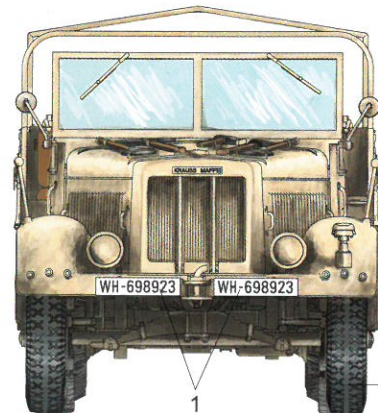
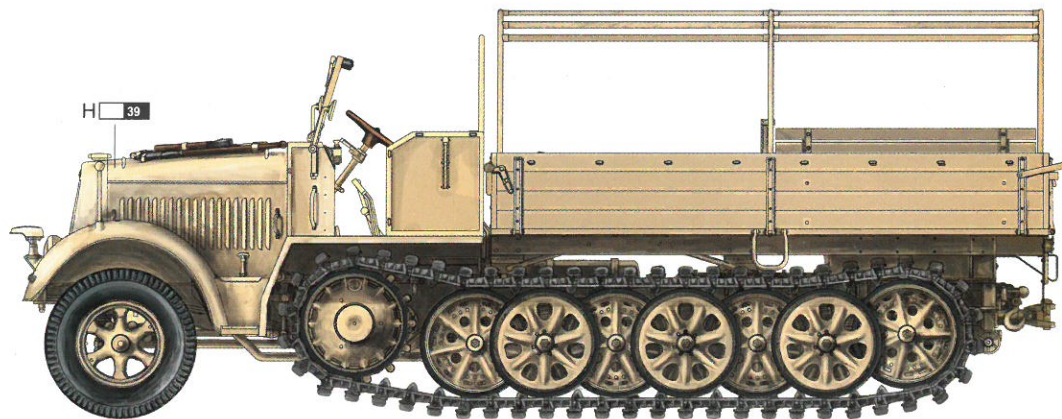
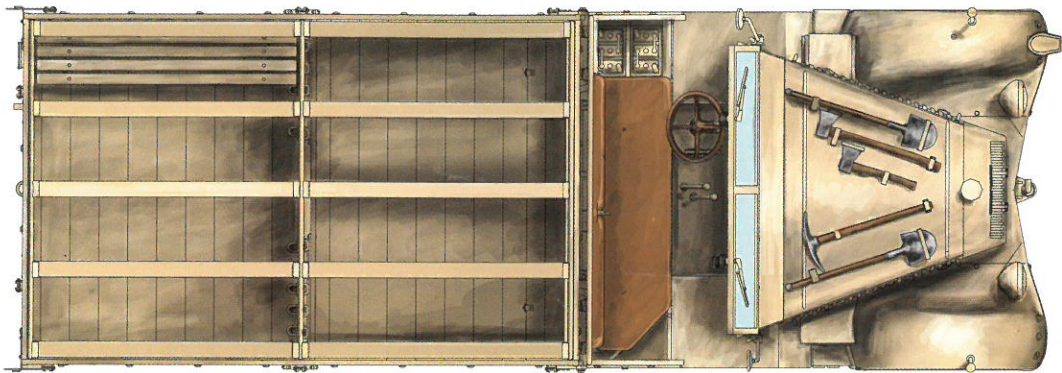
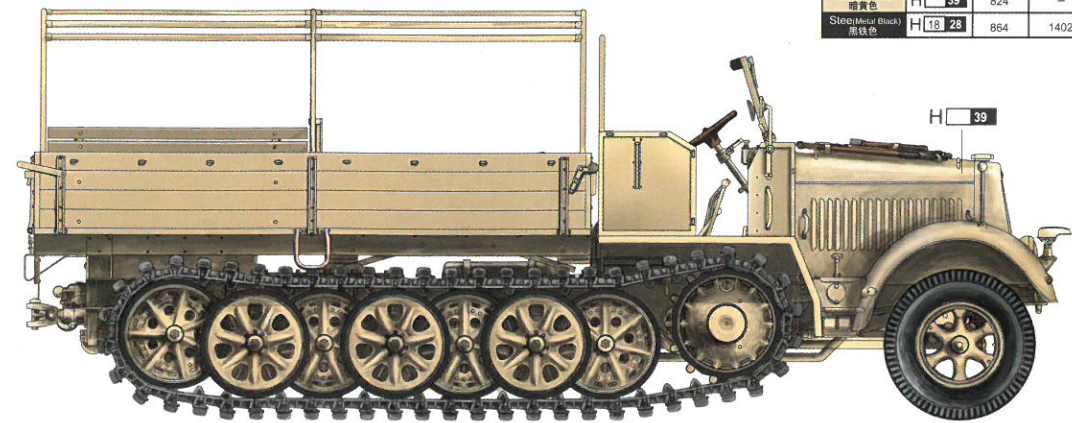




涂装同标贴指示  
Painting & Marking guide

PAINT REFERENCE COLOUR

Color	Mr.Hobby	Vallejo	Model Master	Tamiya	Humbrol
Tire Black 胎黑色	H 77 137	—	—	—	—
Dark Yellow 暗黄色	H 39	824	—	XF59	93
Steel (Metal Black) 黑铁色	H 18 28	864	1402	—	—



H X AQUEOUS HOBBY COLOUR

X MR COLOUR

01507 1/35 German Sd.Kfz.7 Mittlere Zugkraftwagen 8t Km.11 Late Version