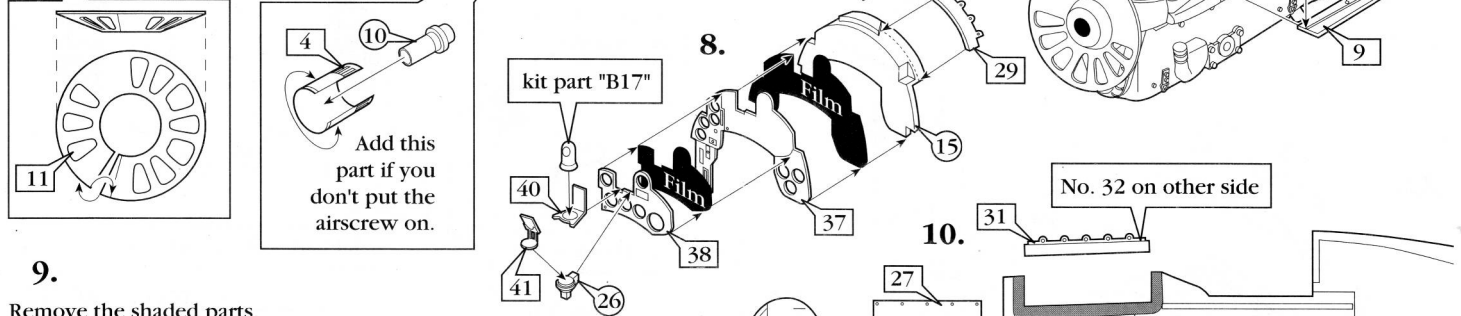
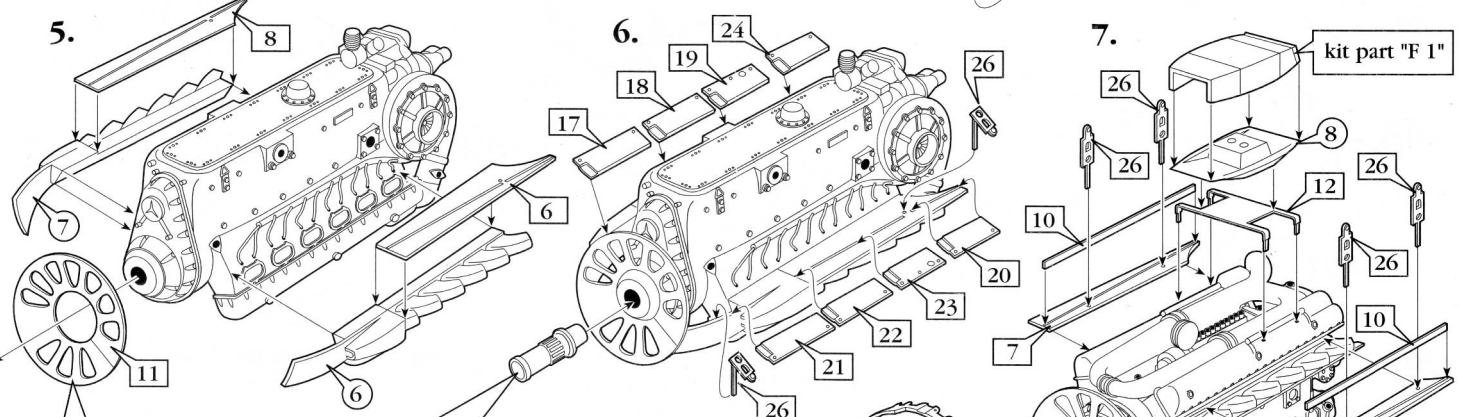
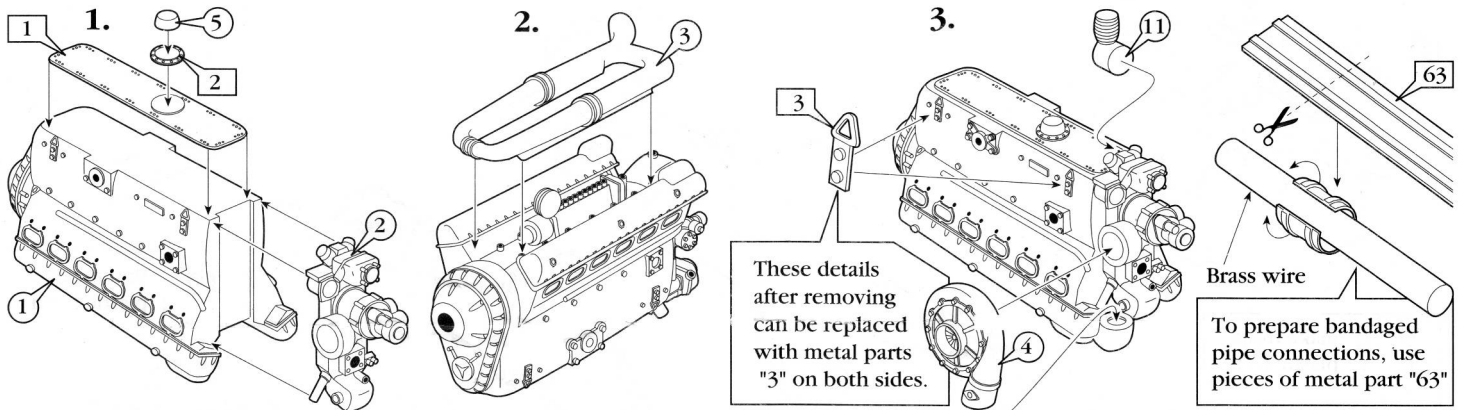
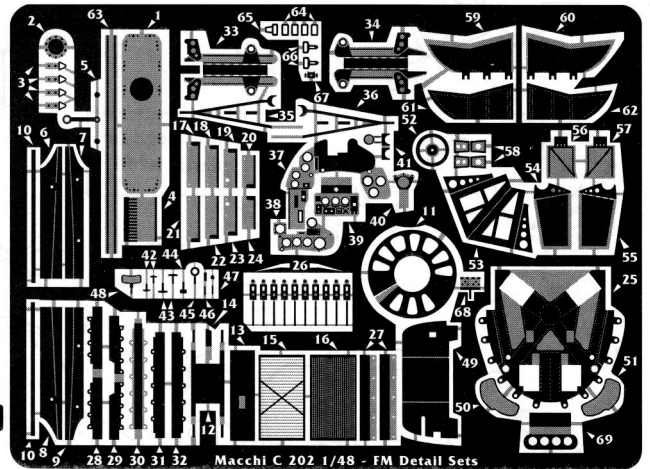
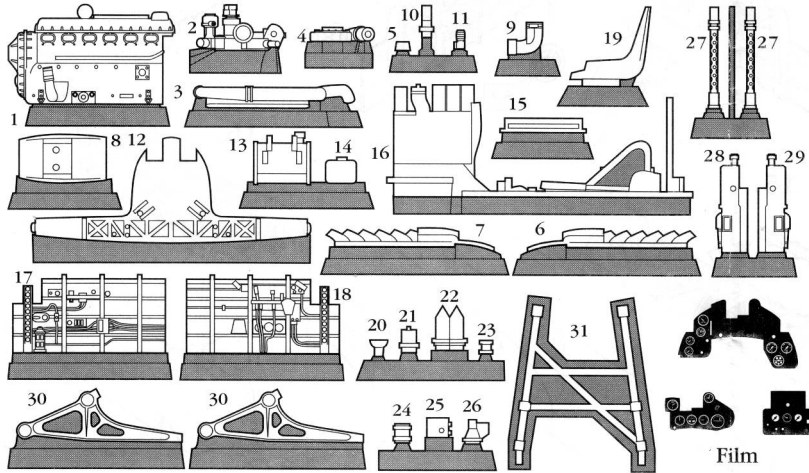


# MACCHI MC.202 1/48 DETAIL SET

Resin and photo-etched accessories can be glued with cyanoacrylate glues. Avoid inhaling the fumes, for they can be harmful.

resin parts Cut the shaded parts.

photo-etched parts



9. Remove the shaded parts.

