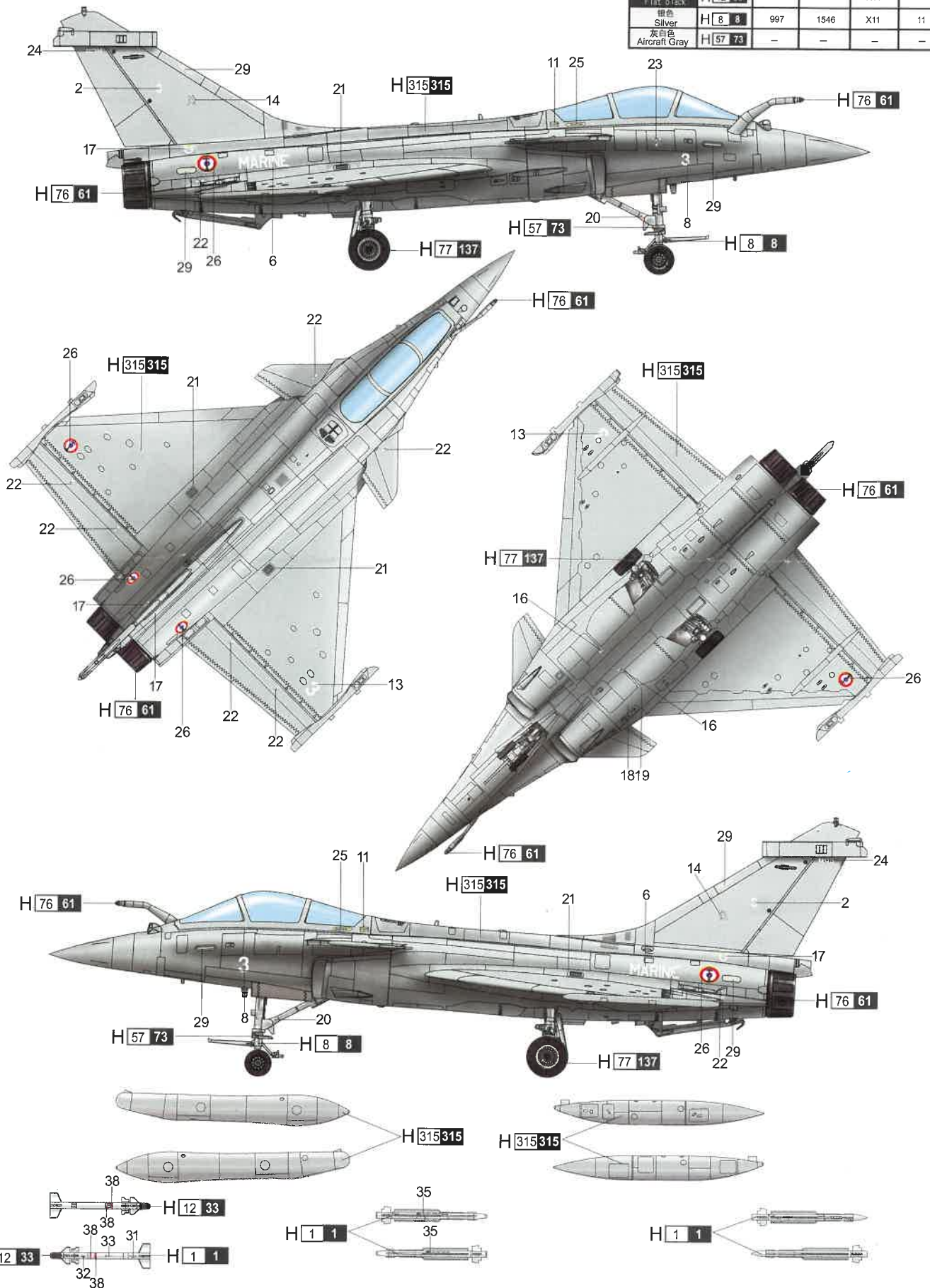


涂装同标贴指示 Painting & Marking guide

PAINT REFERENCE COLOUR					
Color	Mr.Hobby	Vallejo	Model Master	Tamiya	Humbrol
灰色 Light Gray	H 315 315	71050	4763	—	129
白色 White	H 1 1	71001	1745	X2	22
烧铁色 Burnt Iron	H 76 61	863	1795	X10	53
炭黑 Tire Black	H 77 137	950	1749	XF1	33
消光黑 Flat black	H 12 33	—	—	X14	—
银色 Silver	H 8 8	997	1546	X11	11
灰白色 Aircraft Gray	H 57 73	—	—	—	—

A

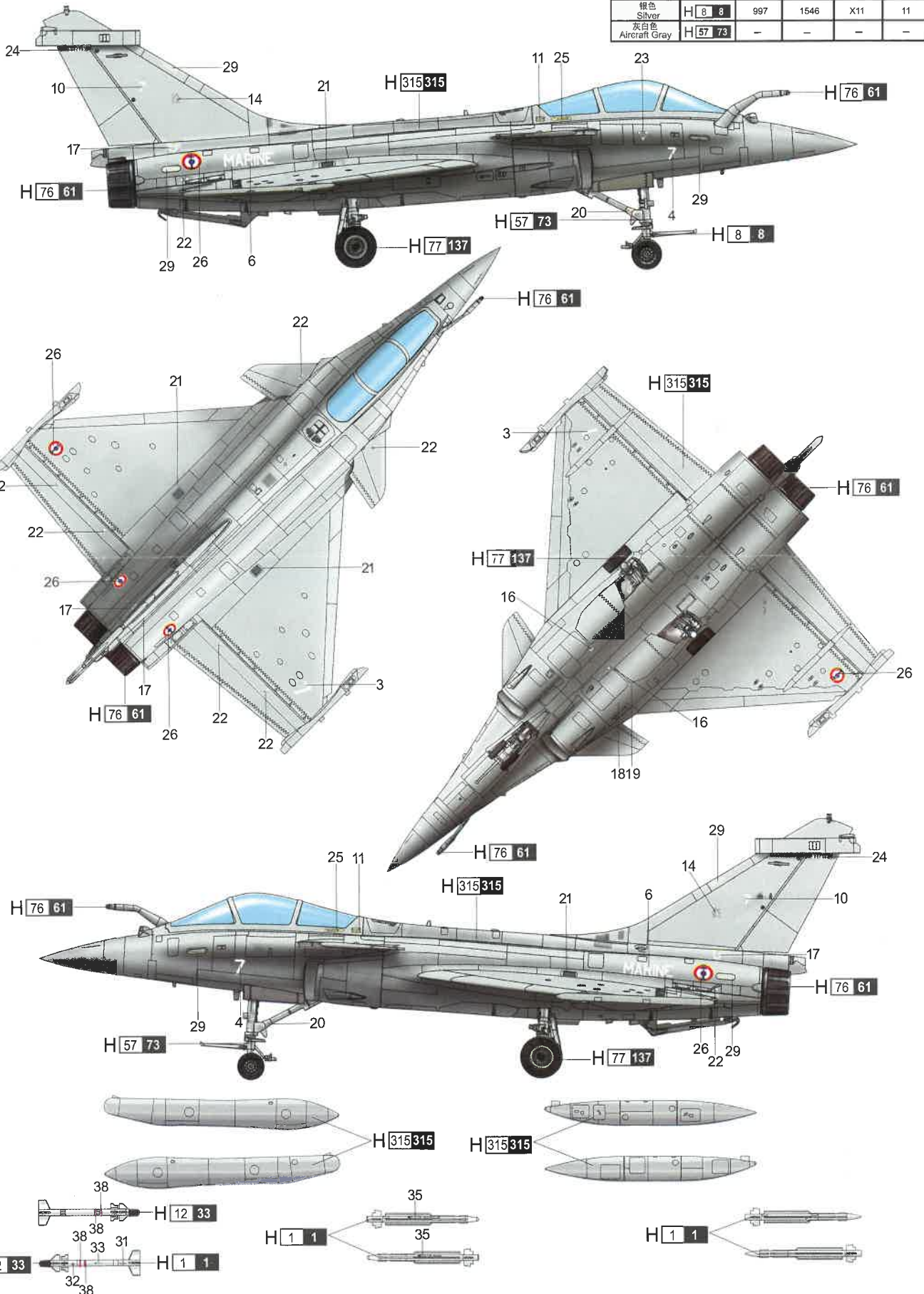


H X AQUEOUS HOBBY COLOR X Mr. COLOR

涂装同标贴指示 Painting & Marking guide

B

PAINT REFERENCE COLOUR					
Color	Mr.Hobby	Vallejo	Model Master	Tamiya	Humbrol
灰色 Lightly Gull	H 315 315	71050	4763	—	129
白色 White	H 1 1	71001	1745	X2	22
烧铁色 Burnt Iron	H 76 61	863	1795	X10	53
漆黑色 Tire Black	H 77 137	950	1749	XF1	33
消光黑 Flat Black	H 12 33	—	—	X14	—
银色 Silver	H 8 8	997	1546	X11	11
灰白色 Aircraft Gray	H 57 73	—	—	—	—



French Rafale M

法国“阵风”M战斗机



READ BEFORE ASSEMBLY:

- Study and understand these instructions thoroughly before beginning assembly
- When needed, remove photo-etch parts carefully using a modeling knife or photo etch sprue cutter, being careful not to damage or lose small parts.
- Take extra care in handling photo etch parts in order to avoid injury
- Apply instant cement sparingly to photo etch parts where instructed
- Tools recommended(not included in kit):Plastic and instant cements, sprue cutters,long nose pliers,modeling knife, small files, tweezers, pin vise & scissors. Soft cloth and sandpaper will also assist in construction
- Glue and paint are not included in the kit. Use plastic cement and hobby paints only. Color guide for purchasing paint is included in the kit.

装配之前仔细阅读

- 小心用模型锉刀锉平所有零件表面的注射浇口。
- 小心用刀片切下蚀刻片零件，不要遗失小零件。
- 用强力快干胶水粘合蚀刻片零件和金属轴。过量快干胶水使用可能导致可动零件会粘住，小心涂胶。
- 取蚀刻片时应特别注意安全，防止利边划伤手指。
- 某些零件表面需贴水上贴纸，请选择在装配的同时进行。
- 推荐模型工具(自备)：胶水，水口剪刀，长咀钳，刀片，锉刀，镊子，钳，钻，剪刀，瞬间快干胶。
- 软布同砂纸同时也应该是必备工具。
- 请使用塑料胶水和油漆，模型内不含。



配重
Weight



使用强力胶
Cyanoacrylate glue



钻孔
Make hole



切除
Cut / Remove



贴纸
Decal



锉平
File / Sand



选择
Option



不涂胶水
No cement



弯曲
Bend

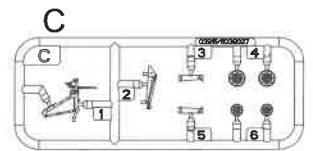
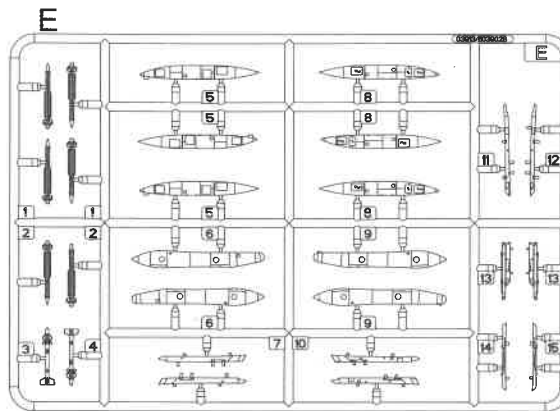
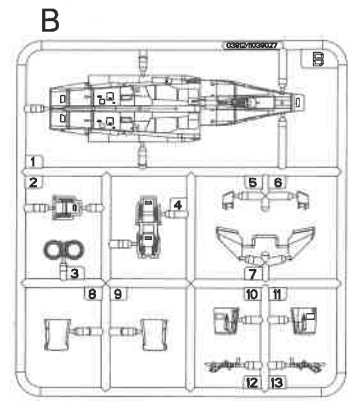
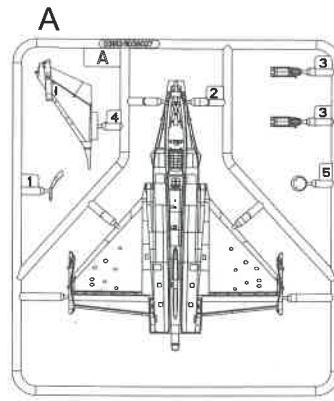
水贴纸的使用:

- 1.从水贴纸上剪下印花;
- 2.将印花放入温水中浸10秒,然后放在干净布上。
- 3.拿着印花纸板将印花移到模型上;
- 4.手指蘸水将印花移到适当的位置;
- 5.用软布轻压印花直至水干, 气泡消失

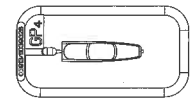
DECAL APPLICATION

- 1.Cut decals from sheet as needed
- 2.Dip the decal in warm water for about 10 seconds and then place on soft clean cloth.
- 3.Hold the decal backing sheet edge and gently slide the decal onto the model in its proper position.
- 4.While still wet,decal can be adjusted for better fit on model by dampening it gently with your finger.
- 5.When placed in the proper position,gently press decal down with a soft cloth until excess water and air bubbles are gone.
- 6.Allow decal to dry completely before handling model

部品图
Parts



GP4

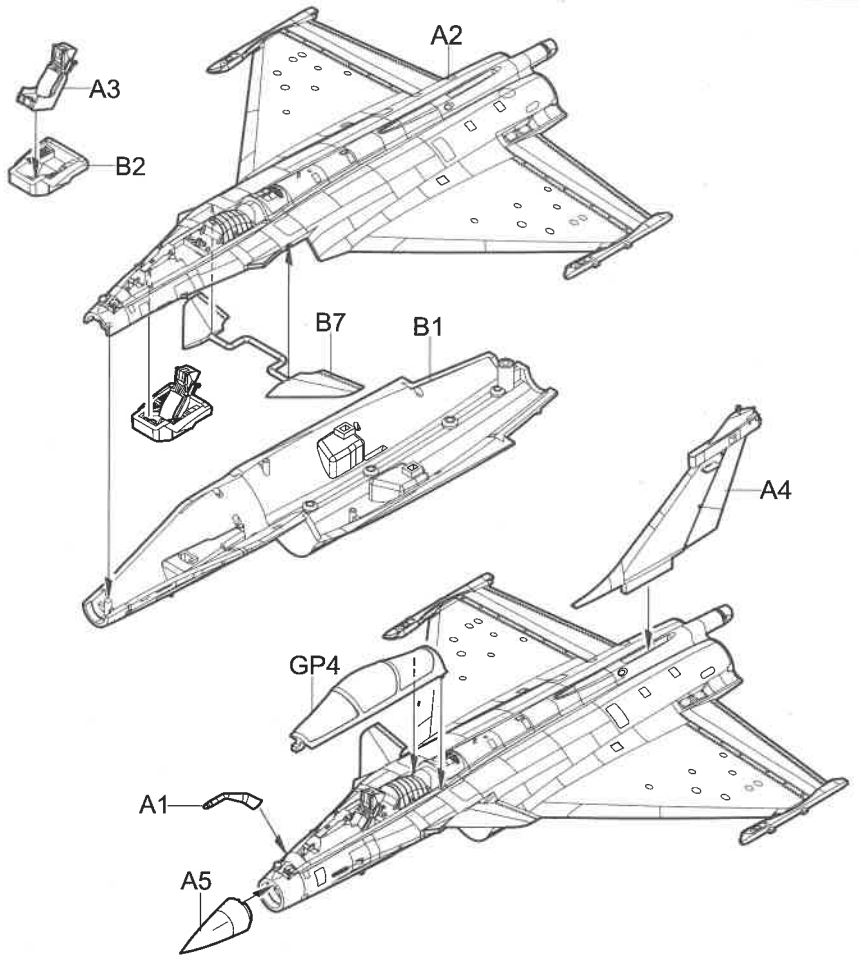


《水贴》
Decal

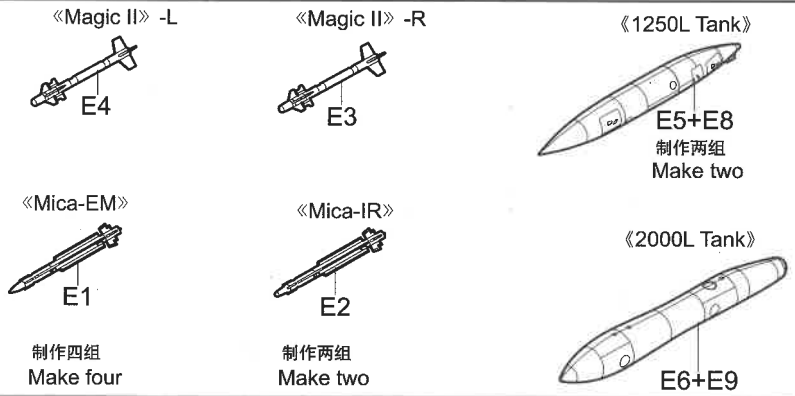


不用的部件: B4 E7 E11
Unused parts

1



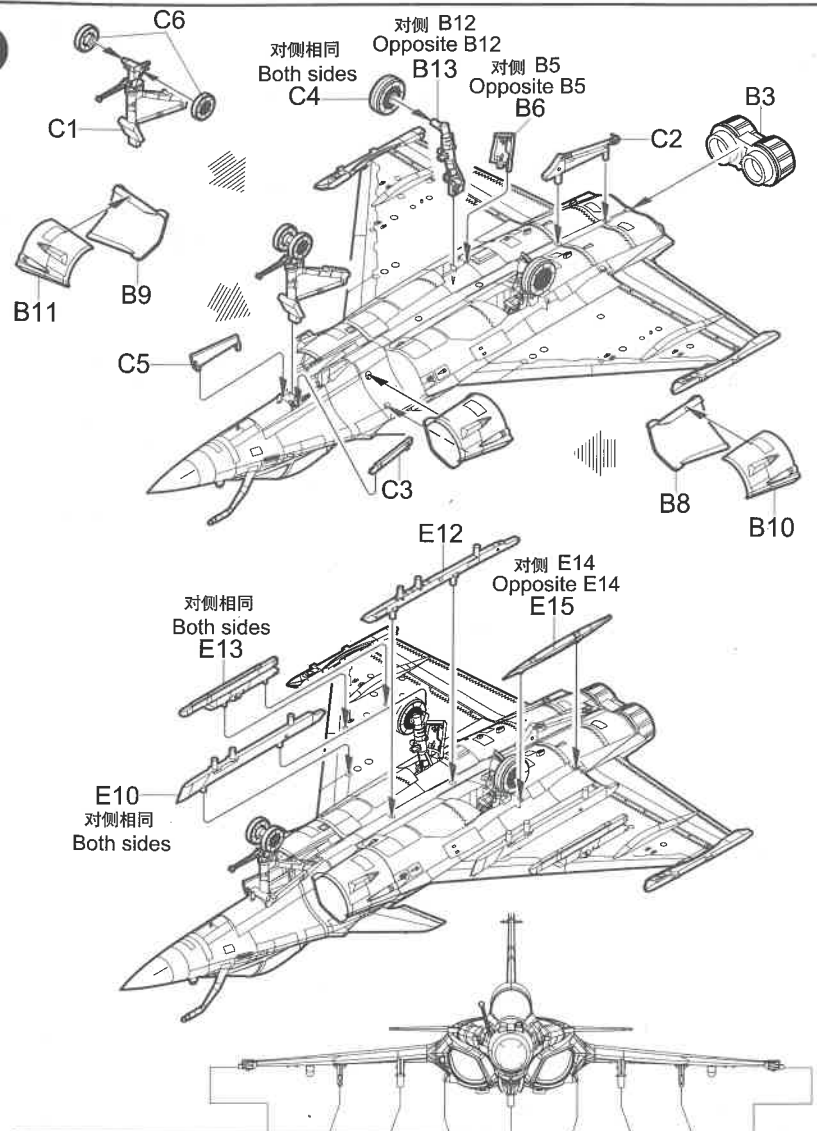
2



03914

3

3



Sta.No.	1	2	3	4	5	6	7	8	9
Missile/Tank									
Magic II	●								●
Mica-EM		●		●		●		●	
Mica-IR		●		●		●		●	
1250L Tank			●				●		
2000L Tank					●				

03914

4