

1:72 SCALE

ITEM NO.: 07236

Russian KV "Big Turret" Tank

苏联KV (大炮塔)坦克



READ BEFORE ASSEMBLY:

- This kit is not recommended for inexperienced modelers or for children under 14 years of age
- Study and understand these instructions thoroughly before beginning assembly
- When needed, remove photo-etch parts carefully using a modeling knife or photo etch sprue cutter, being careful not to damage or lose small parts.
- Take extra care in handling photo etch parts in order to avoid injury
- Apply instant cement sparingly to photo etch parts where instructed
- Tools recommended(not included in kit):Plastic and instant cements,sprue cutters,long nose pliers,,modeling knife, small files, tweezers, pin vise & scissors. Soft cloth and sandpaper will also assist in construction
- Glue and paint are not included in the kit. Use plastic cement and hobby paints only. Color guide for purchasing paint is included in the kit.
- Keep out of reach of children. They must not be allowed to ingest small parts or handle plastic bags in any way.

装配之前仔细阅读

- 小心用模型锉刀锉平所有零件表面的注射浇口。
- 小心用刀片切下蚀刻片零件，不要遗失小零件。
- 用强力快干胶水粘合蚀刻片零件和金属轴。过量的快干胶水使用可能导致可动零件会粘住，小心涂胶。
- 取蚀刻片时应特别注意安全，防止利边划伤手指。
- 某些零件表面需贴上水贴纸，请选择在装配的同时进行。
- 推荐模型工具(自备)：胶水、水口剪刀、长咀钳、刀片、锉刀、镊子、钳、钻、剪刀、瞬间快干胶。
- 软布同砂纸同时也应该是必备工具。
- 请使用塑料胶水和油漆，模型内不含。
- 谨防小孩吸吮塑料零件，或者将塑料袋套在头上，制作时应将套材远离小孩接触。
- 本产品不适合14岁以下没有经验的模型爱好者。



cyanoacrylate glue
使用强力胶



weight
配重



make hole
钻孔



cut / remove
切除



bend
弯曲



file / sand
锉平



option
选择



no cement
不涂胶水



decal
贴纸

水贴纸的使用:

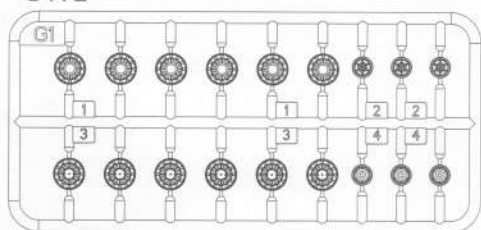
1. 从水贴上剪下印花;
2. 将印花放入温水中浸10秒, 然后放在干净布上。
3. 拿着印花纸板将印花移到模型上;
4. 手指蘸水将印花移到适当的位置;
5. 用软布轻压印花直至水干, 气泡消失。

DECAL APPLICATION

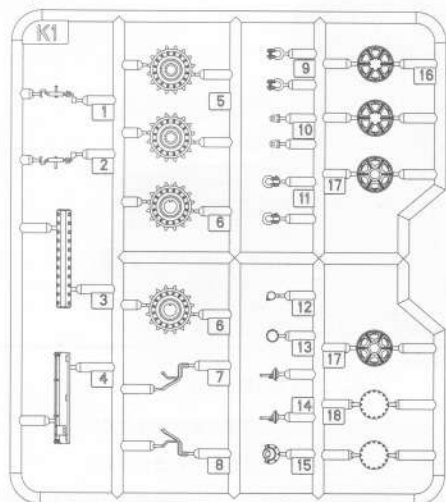
1. Cut off decal from sheet.
2. Dip the decal in tepid water 40°C for about 10 sec. and place on a clean cloth.
3. Hold the backing sheet edge and slide decal onto the model.
4. Move decal into position by wetting decal with finger.
5. Press decal gently down with a soft cloth until excess water and air bubbles are gone.
6. Allow decal to dry completely before handling model.

部品图 Parts

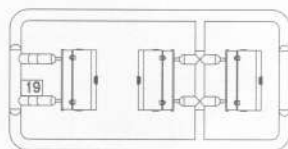
G X 2



K

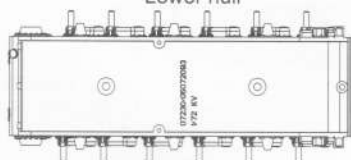


K

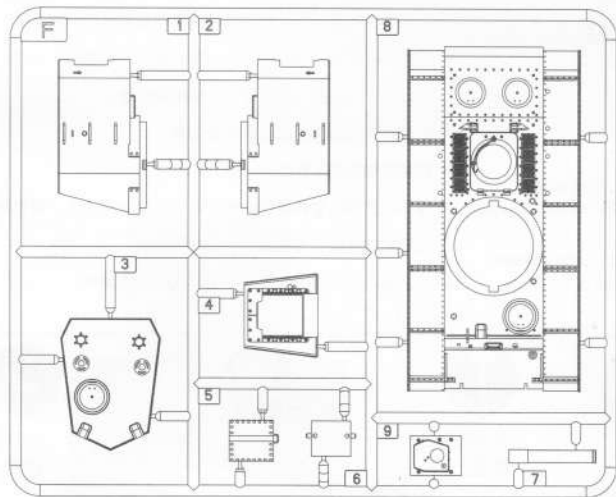


<<车底>>

Lower hull



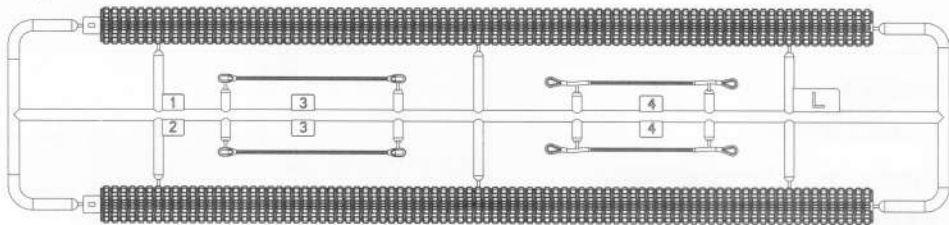
F



<<水贴>>
Decal



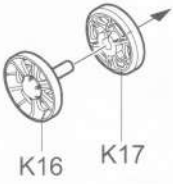
L



不用部件: K14. K15. L3
Unused parts

1 车轮组装 Wheels assembly

<<诱导轮>>
Idler wheel



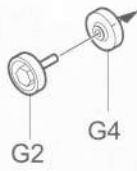
制作2套
Make two

<<负重轮>>
Road wheel



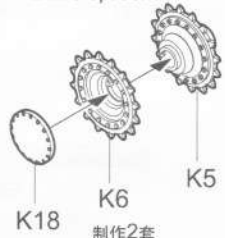
制作12套
Make twelve

<<托带轮>>
Support rollers



制作6套
Make six

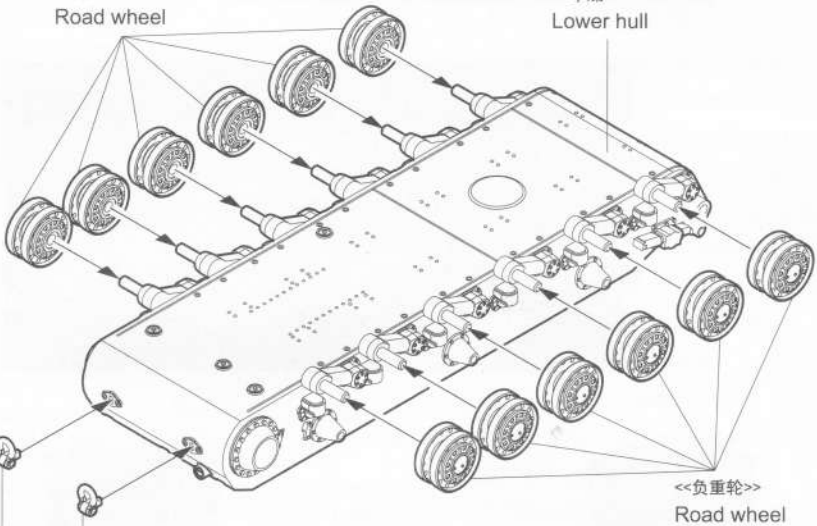
<<驱动轮>>
Drive sprocket



制作2套
Make two

2 车底组装 Lower hull assembly

<<负重轮>>
Road wheel



<<车底>>
Lower hull

K11

K11

<<负重轮>>
Road wheel

K10

K10

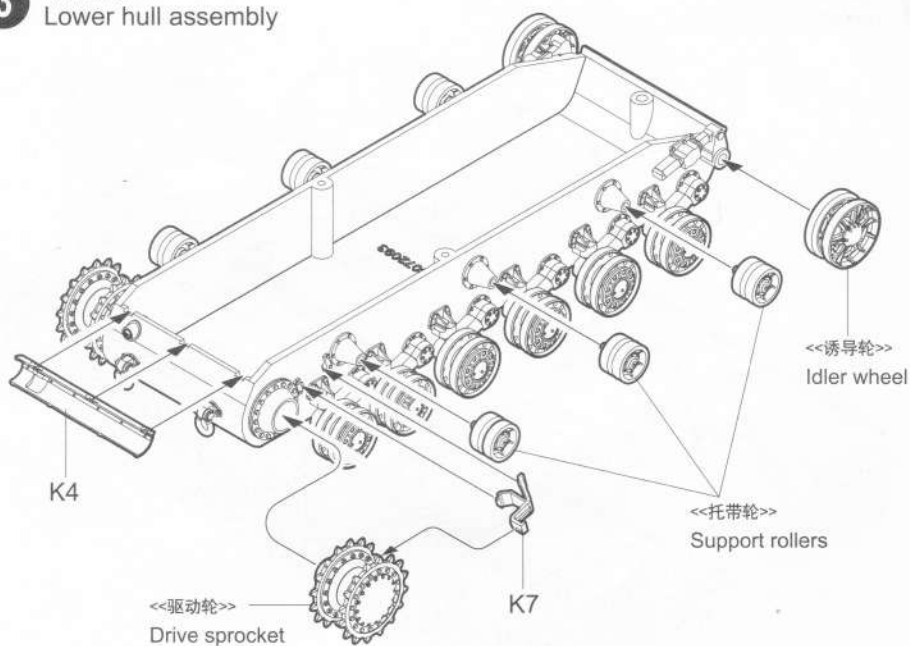
<<诱导轮>>
Idler wheel

<<托带轮>>
Support rollers

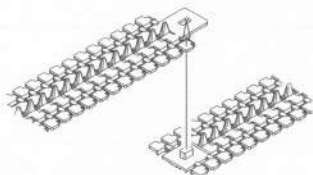
K8

<<驱动轮>>
Drive sprocket

3 车底组装 Lower hull assembly

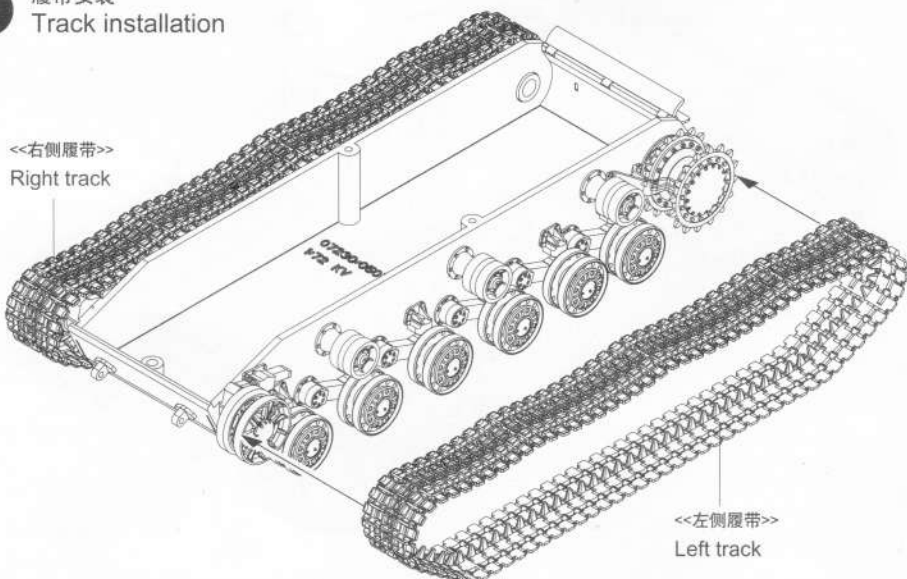


4 履带连接 Track construction



- * 履带可用塑料胶水粘合。
- * 履带可用模型油漆喷涂。
- * 若履带断裂，用细丝线固定。
- * The tracks in this kit can be glued using plastic cement.
- * The tracks can be painted using plastic paints.
- * If track is broken strengthen with staples or thread.

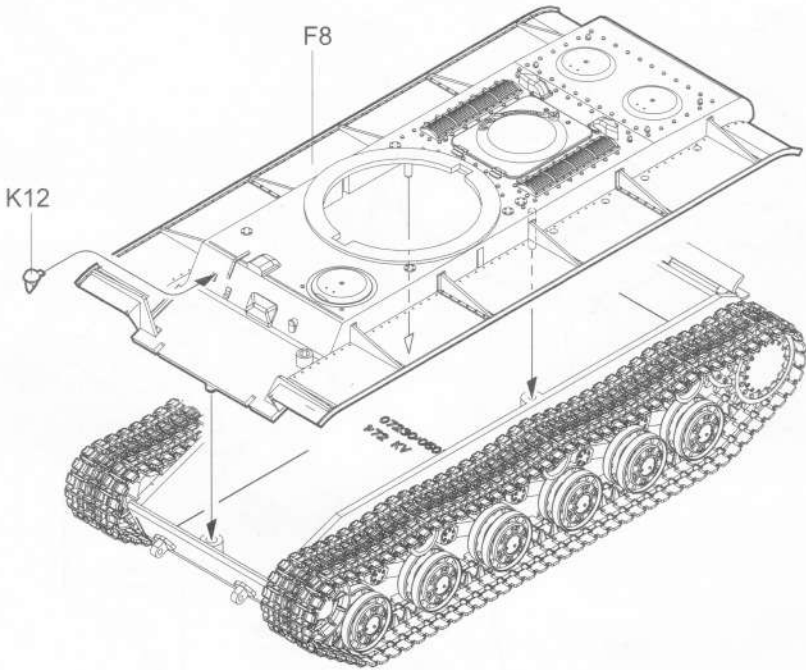
5 履带安装 Track installation



6

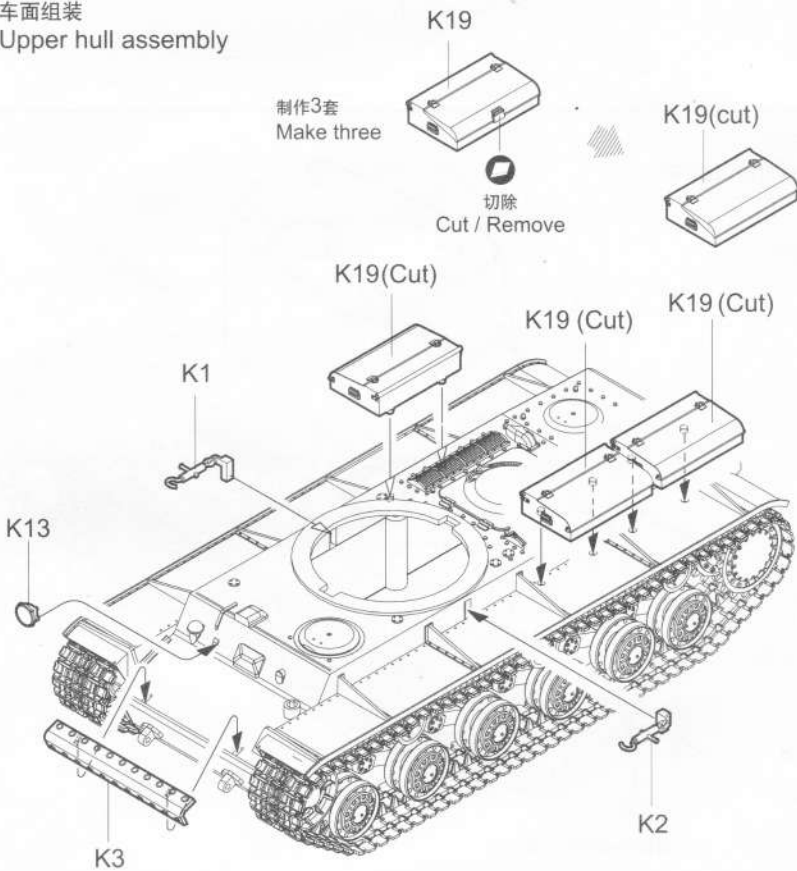
车面安装

Upper hull installation

**7**

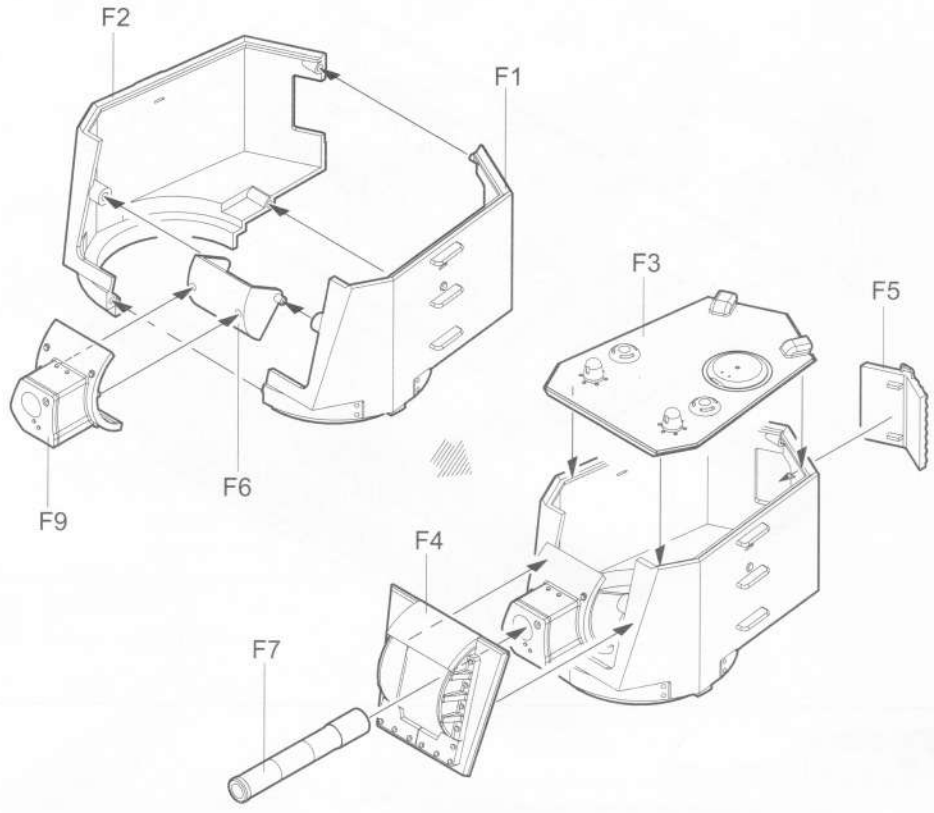
车面组装

Upper hull assembly

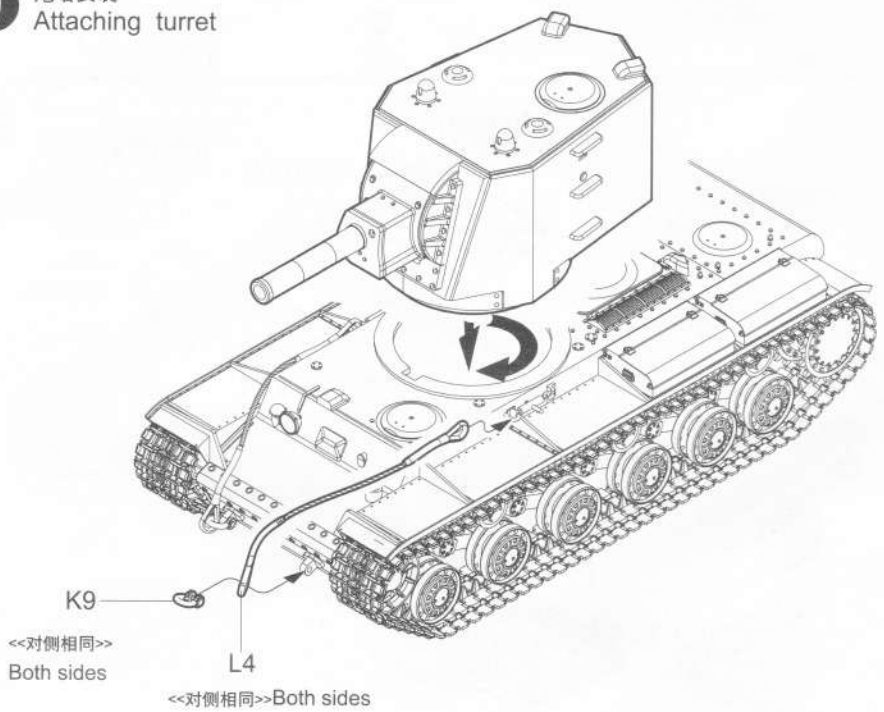


8

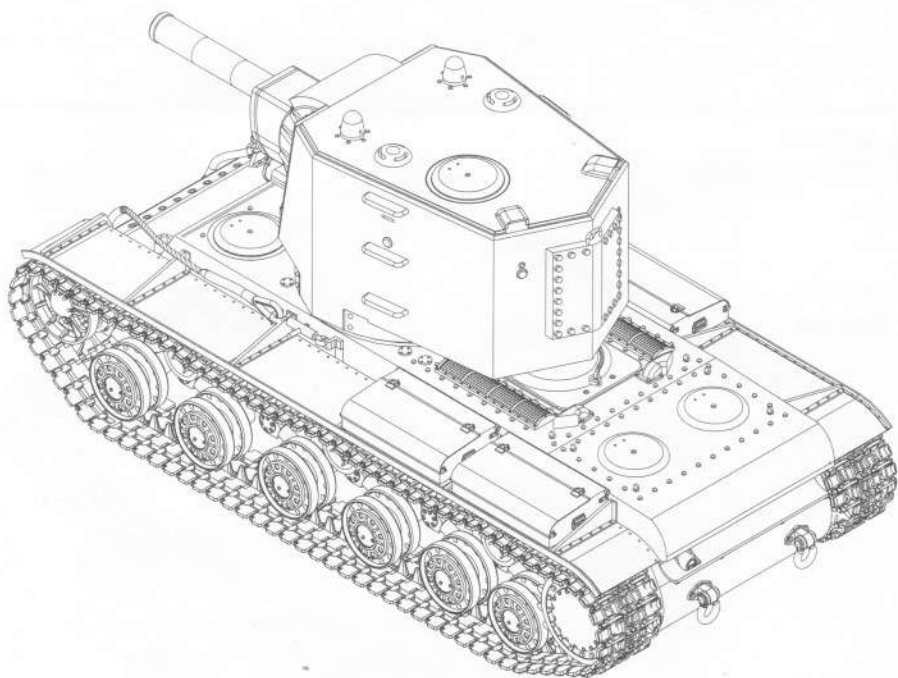
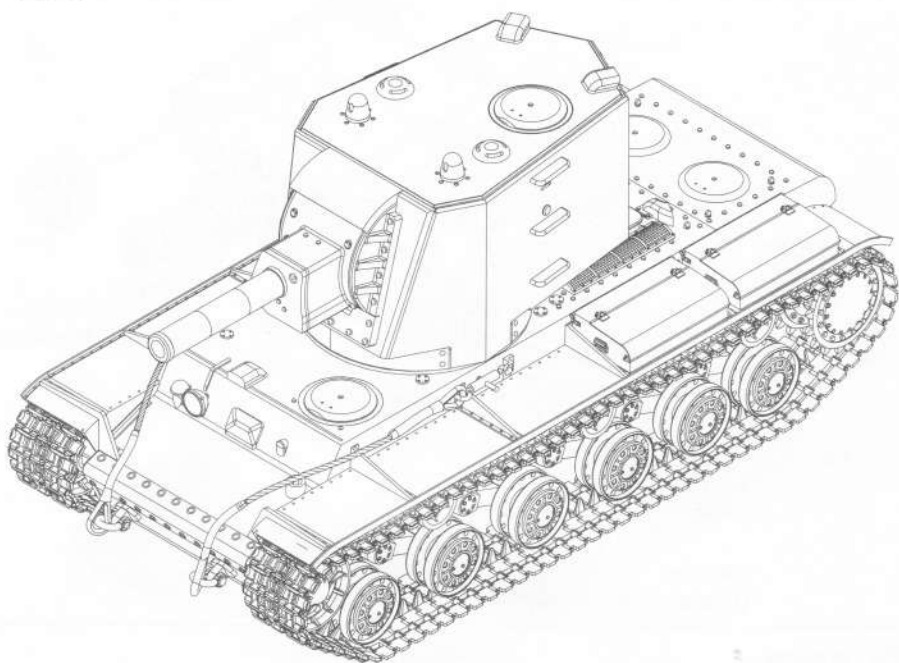
炮塔组装
Turret assembly

**9**

炮塔安装
Attaching turret



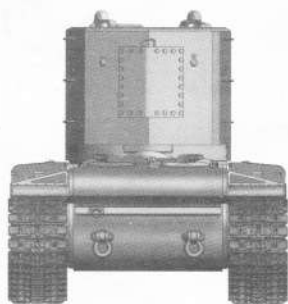
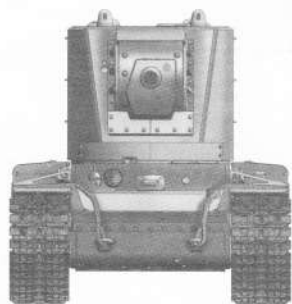
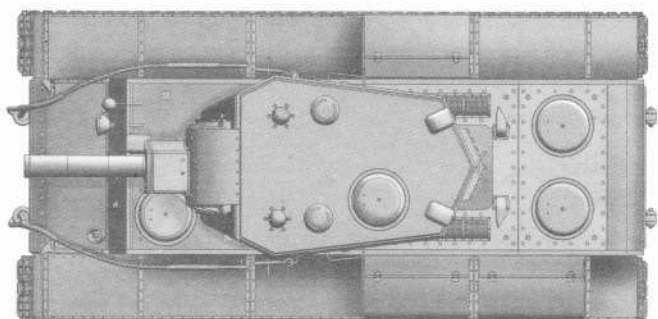
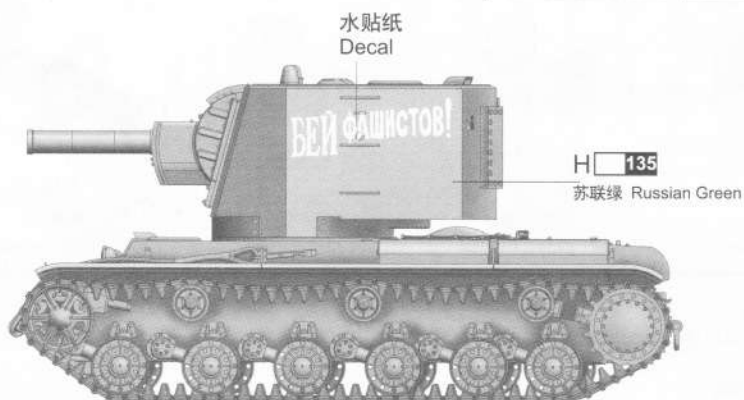
10 完成
Finish



涂装同标贴指示 Painting & Marking guide

使用 MR.HOBBY 涂料

H	<input type="checkbox"/> 133	苏联绿 Russian Green
---	------------------------------	-------------------



水贴纸
Decal



H AQUEOUS HOBBY COLOUR

X MR.COLOUR

БЕЙ ФАШИСТОВ!

БЕЙ ФАШИСТОВ!

07236 1/72 Russian KV "Big Turret" Tank