

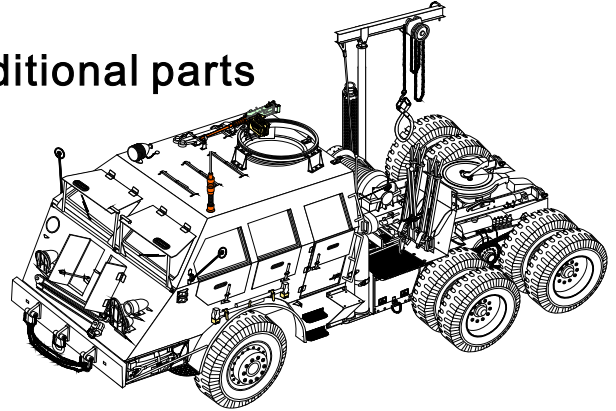
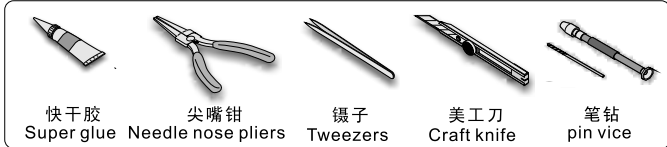
1/35 MILITARY MINIATURE VEHICLE UPGRADE SERIES PEA347

# WWII US M26 Recover Vehicle additional parts

## 二战美国M25/M26 龙式拖头附加改造件

[For TAMIYA 35230 35244]

### 推荐使用工具 RECOMMENDED TOOLS



- 安装  
install
- 折叠  
bend
- A1**

改造件零件编号  
PE/resin part number
- B12**

原零件编号  
kit part number
- C22**

被替换的原零件编号  
replaced kit part number
- 另一侧相同制作  
repeat on opposite side
- 切除  
remove
- 打磨  
grind off
- 弧度卷曲  
radial bending
- x2**

制作若干组  
multiple assembly
- 选择安装  
alternative
- 钻孔  
drill
- 注意  
caution

用尖端在凹槽处冲压  
use penpoint to press on the dent

蚀刻片零件内朝面向上  
Put the part upside down  
用笔尖在凹槽处刺  
Use penpoint to press on the dent

**铜缆**  
Copper cable  
2m

**黑链条**  
Black chains

**a**

较难制作. 按照喜好选择  
Difficult to built select the way as you like

Removed from kit part

**b**

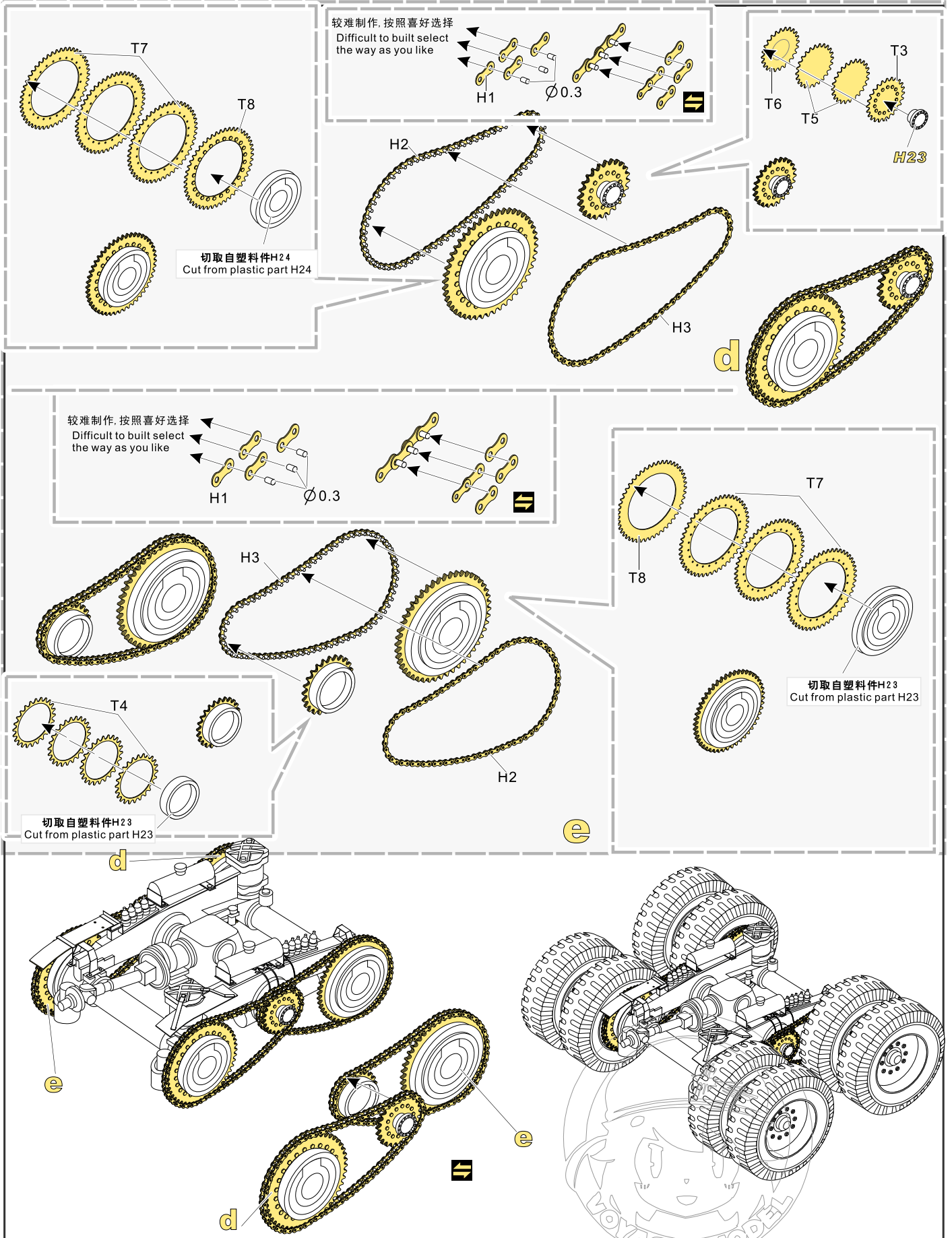
较难制作. 按照喜好选择  
Difficult to built select the way as you like

Removed from kit part

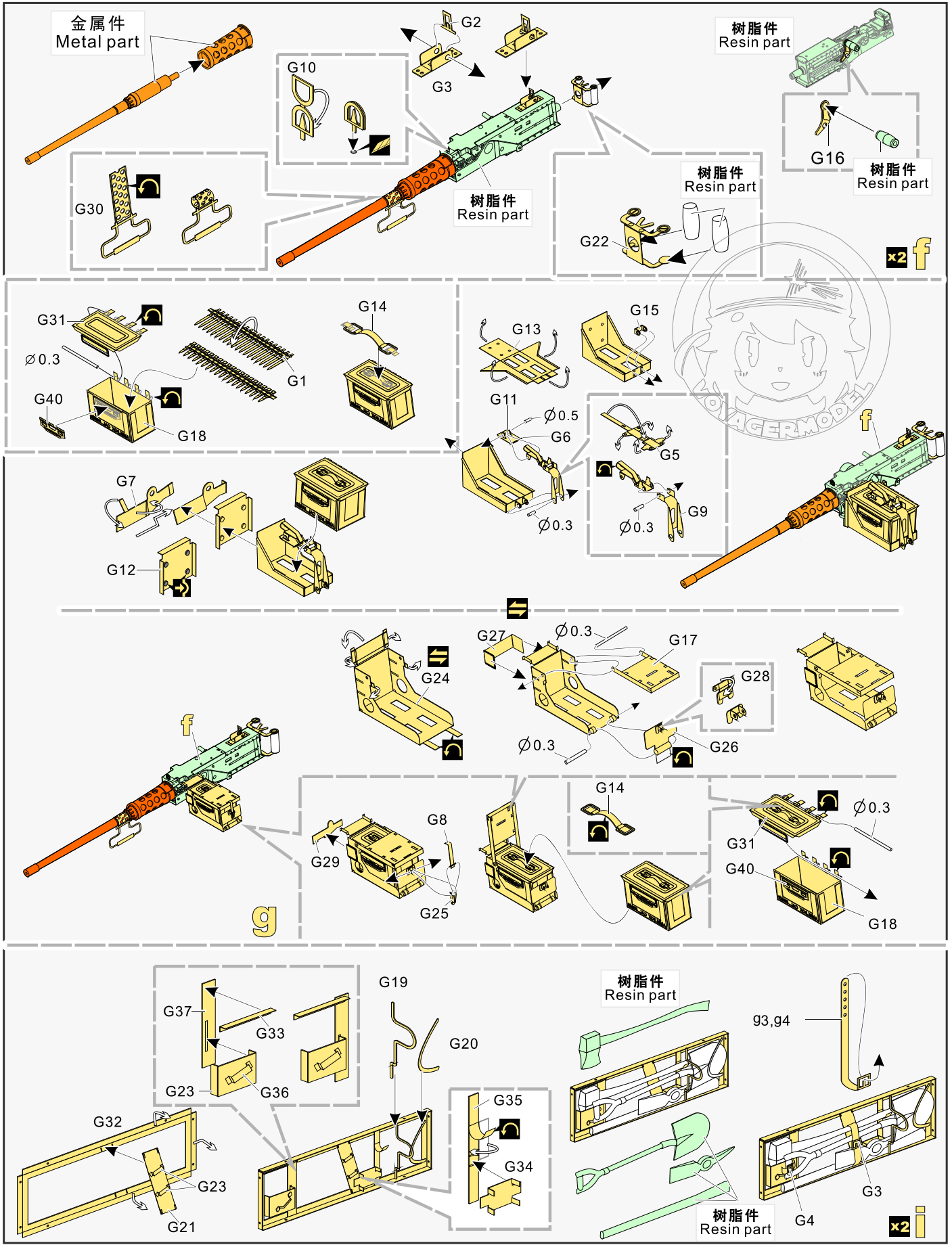
**c**

铜缆  
Copper cable  
2m

1/35 MILITARY MINIATURE VEHICLE UPGRADE SERIES PEA347

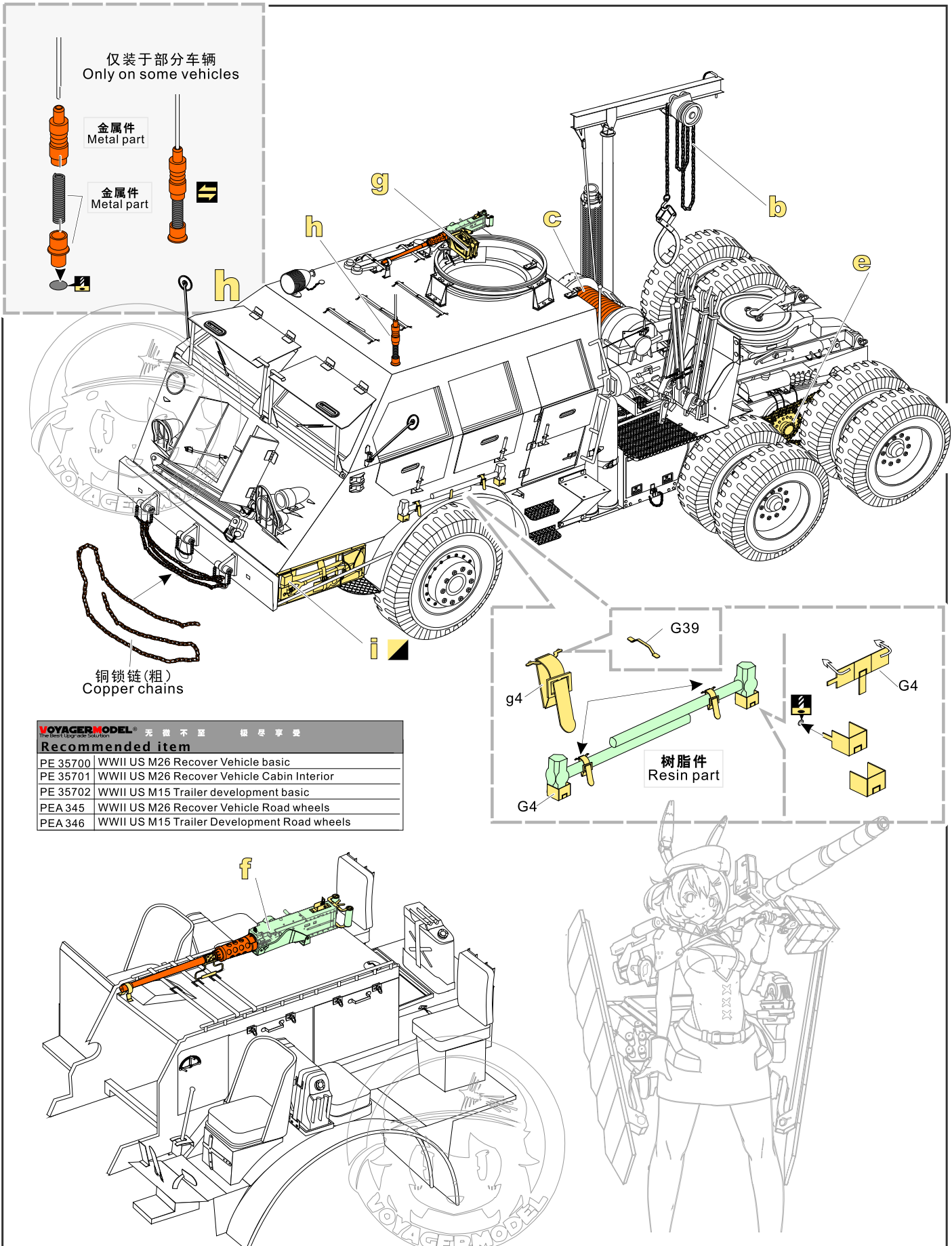


1/35 MILITARY MINIATURE VEHICLE UPGRADE SERIES PEA347





1/35 MILITARY MINIATURE VEHICLE UPGRADE SERIES PEA347



仅装于部分车辆  
Only on some vehicles

金属件  
Metal part

金属件  
Metal part

铜锁链(粗)  
Copper chains

**VOYAGERMODEL®** 无微不至 极尽享受  
The Best Upgrade Solution

Recommended item	
PE 35700	WWII US M26 Recover Vehicle basic
PE 35701	WWII US M26 Recover Vehicle Cabin Interior
PE 35702	WWII US M15 Trailer development basic
PEA 345	WWII US M26 Recover Vehicle Road wheels
PEA 346	WWII US M15 Trailer Development Road wheels

树脂件  
Resin part