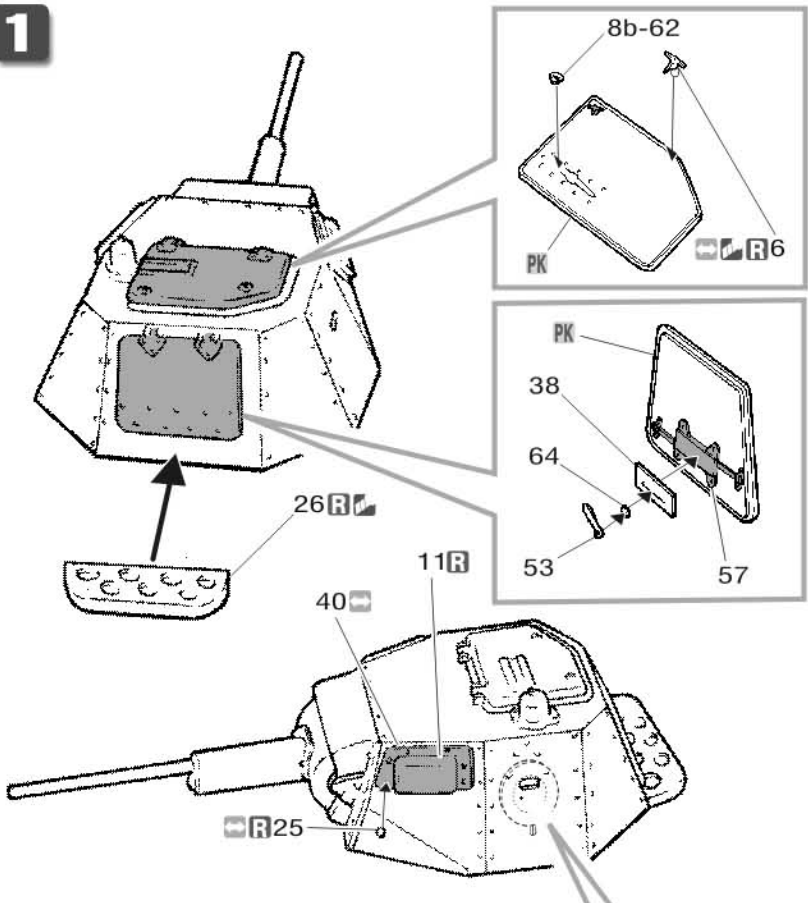


AUTOBLINDA AB 41

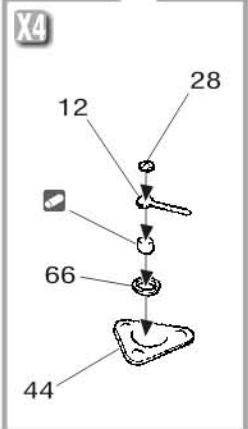
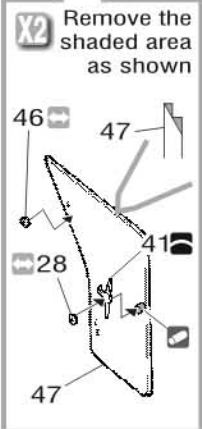
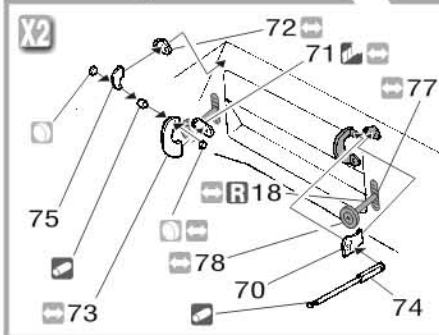
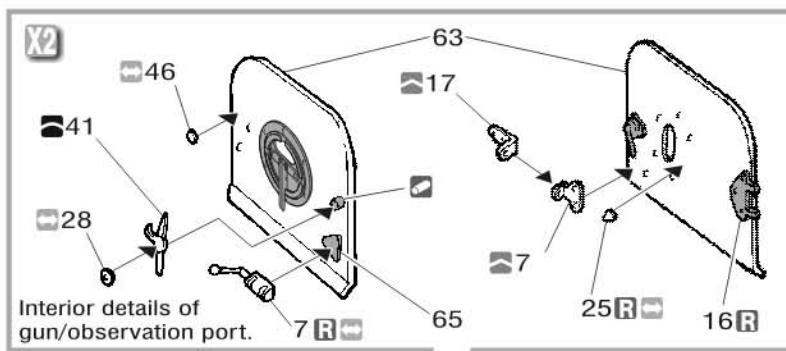
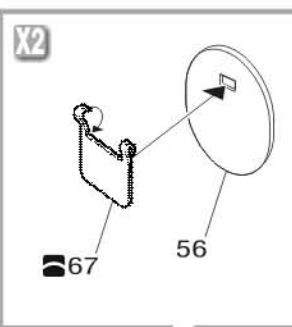
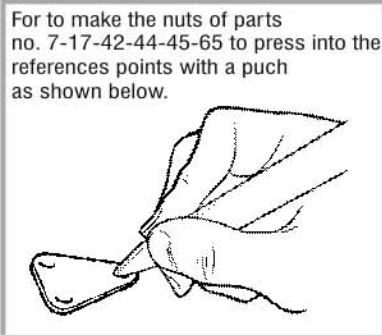
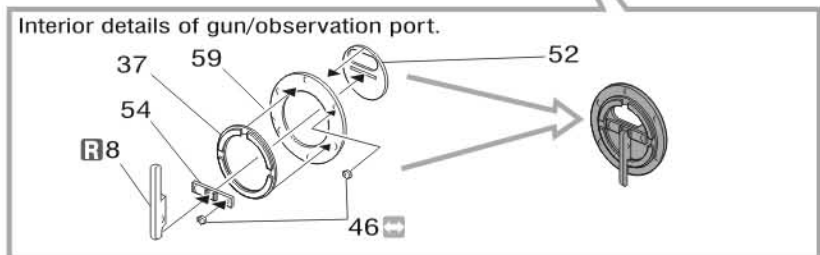
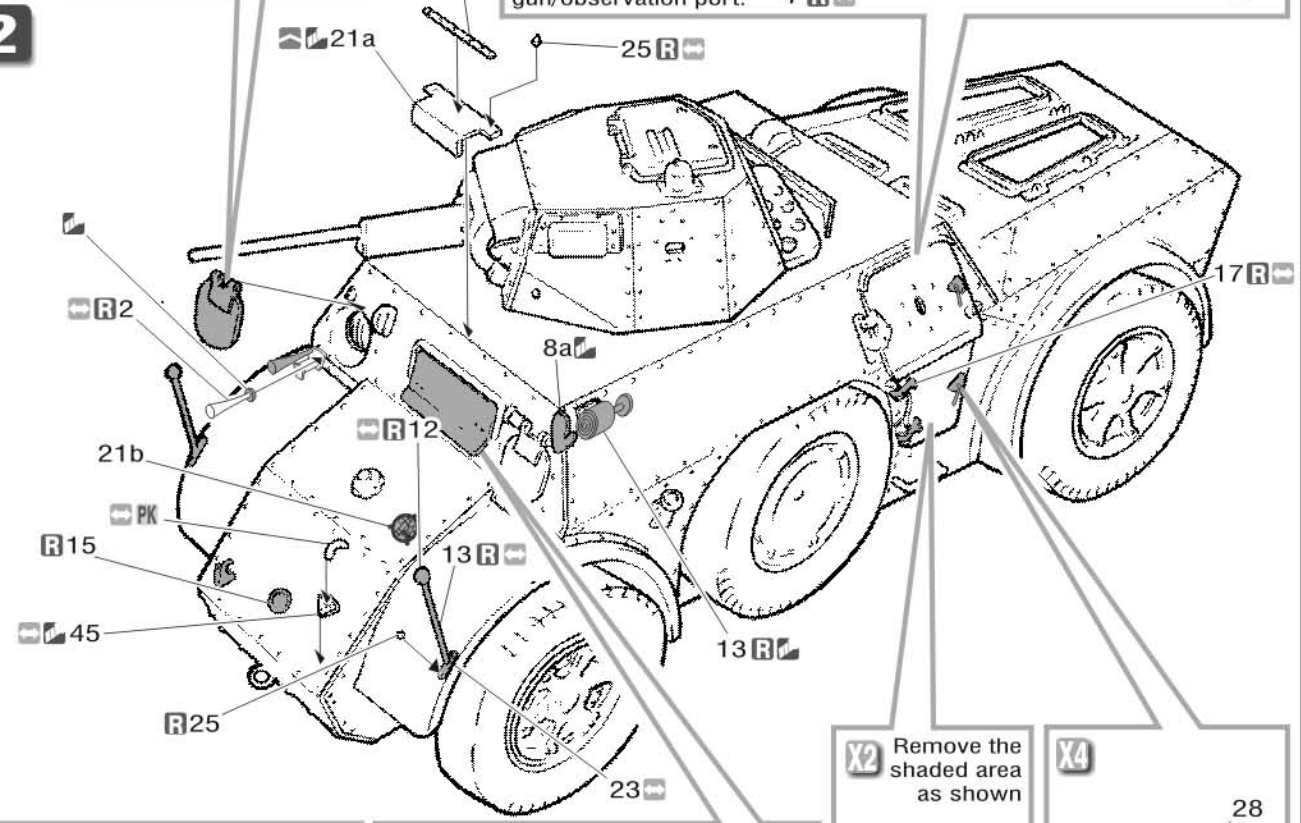
The parts included in this kit are to be assembled in conjunction with the ITALERI kit No.6442. For best results in the assembling of photo-etched and resin parts use cyanoacrylate glue. Always remember to use cyanoacrylate glue in a well ventilated area. Before assembling be sure to remove all the parts to be substituted with photo-etched parts. It is advisable before assembling to study well the instructions which accompany this kit plus any other sufficient documentation. It is advise to heat the metal parts before glueing, once the metal is hot it will be easier to bend.

REMOVE OR SUBSTITUTE THE PLASTIC KIT PART WITH ROYAL MODEL PART
 REPEAT SAME OPERATION FOR THE OTHER SIDE
 PLASTIC KIT PART
 MAKE 2 PIECES
 RESIN PART
 ADD NUT
 ADD ROD
 TO FOLD
 TO BEND
 If ulterior details are required for your model it is possible to use added set ROYAL MODEL no. 478,484,491.

1



2



3

