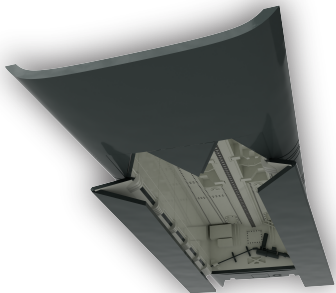




## F-111 Weapons Bay

1/72 scale model add-on  
for Hasegawa F-111 kits



## ASSEMBLY GUIDE

HHS-72010

## HOBARTVILLE HOBBIES

### F-111 Weapons Bay

1/72 scale model add-on

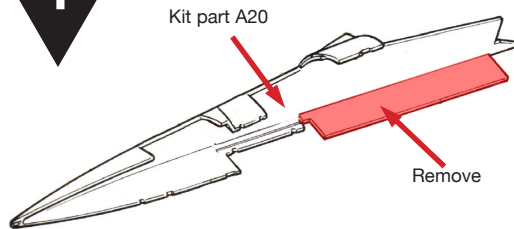
Thank you for purchasing this model accessory set. This set has been designed specifically for the Hasegawa 1/72 scale F-111 kits.. This set may (or may not) fit any other 1/72 F-111 kit.

Before you begin, please make sure you study this guide carefully and that you remove any remaining pieces of supports. These pieces are 3D printed and supports are generated as part of that process. They have mostly been removed but parts of some supports may remain. When working with any resin product, please wear a dust mask. Cyanoacrylate glue or epoxy glue should be used to join the pieces together. Care should be taken to use these products in a well-ventilated area and gloves should be worn.

### BEFORE YOU BEGIN

Please go through these instructions carefully before beginning assembly. Many parts will need painting before glueing into place. *Always* test-fit parts before glueing.

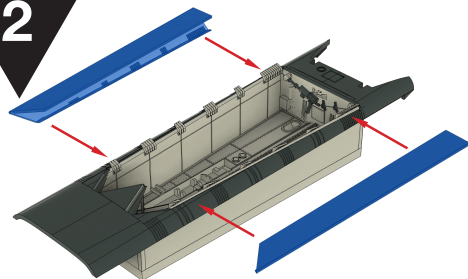
1



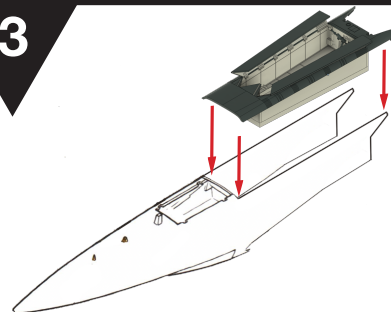
Remove lower section of starboard fuselage half as shown. Repeat for port side (Kit part A1)

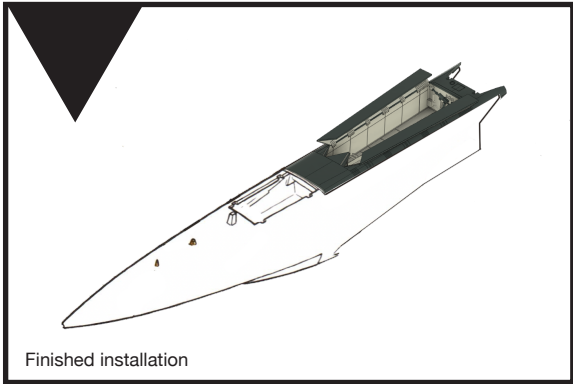


2



3





Finished installation