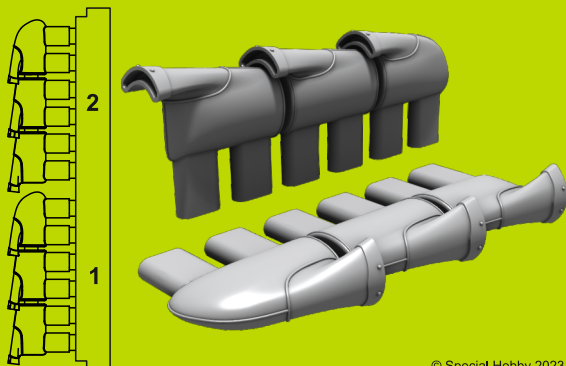


Q32411
1/32

Hurricane Mk.II
Fish Tail Type Exhausts
for Revell kit



PUR - Polyurethane parts

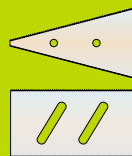


© Special Hobby 2023

Díly ohnuté popř. pokroucené vlivem teplotních změn a stárnutí materiálu, mohou být narovnané do požadovaného tvaru pomocí proudu teplé vody nebo vzduchu (fén na vlasy). K lepení použít kyanoakrylátové lepidlo! Kontaktní plochy doporučujeme před lepením odmastit. Různé drátky a tyčinky nejsou přiloženy.

Parts slightly distorted and bent owing to temperature changes or due to material aging can be straightened to requested shape by hot water or hot air jet (hair dryer). This process can be repeated till result is entirely satisfactory. For best result use cyanoacrylate glue! Ungreasing contact areas is recommended before gluing. Wires and rods not included.

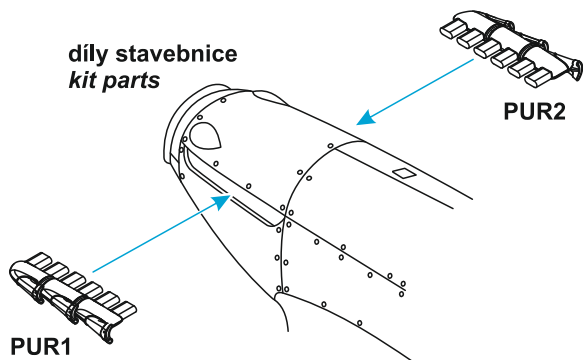
Visit our official website and e-shop at
www.cmkkits.com
www.specialhobby.eu
www.facebook.com/specialhobby/



H1020
Razor Saw Profi Set

The set contains
one holder,
one H1018 Triangle Razor
Saw and one H1019
Multi-shift Razor Saw.
Attach the razor blade to
the holder as shown in the
pictures using the plate with
holes and screws.

dily stavebnice
kit parts



Q32412



Hurricane Mk.I/II Main Wheels
(Four Spoke Discs)
and Tailwheel

Q32410



Hurricane Mk.I/II Ejector
Type Exhausts

F32381



RAF Whirlwind Fighter Pilot (1942)
(also applicable to other RAF fighters)

Special Hobby, Mezilesí 718, Praha 9, 193 00, Czech Republic
e-mail: office@specialhobby.eu