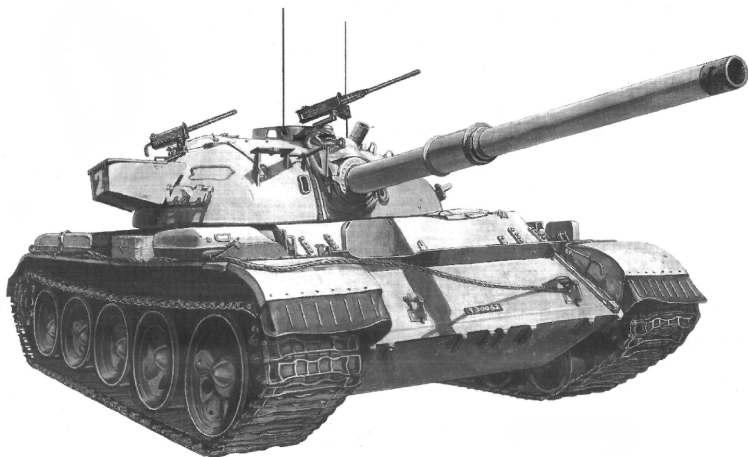


ISRAEL TI-67 105mm GUN

以色列TI-67



颜色指示 COLORS

X-2	白色	White
X-5	绿色	Green
X-10	炮铜色	Gun Metal
X-11	铬银色	Chrome Silver
XF-1	浅黑色	Flat Black

XF-2	浅白色	Flat White
XF-8	无光泽蓝	Flat Blue
XF-26	深绿色	Deep Green
XF-51	土褐色	Khaki Drab
XF-55	棕褐色	Deck Tan
XF-59	沙黄色	Desert Yellow

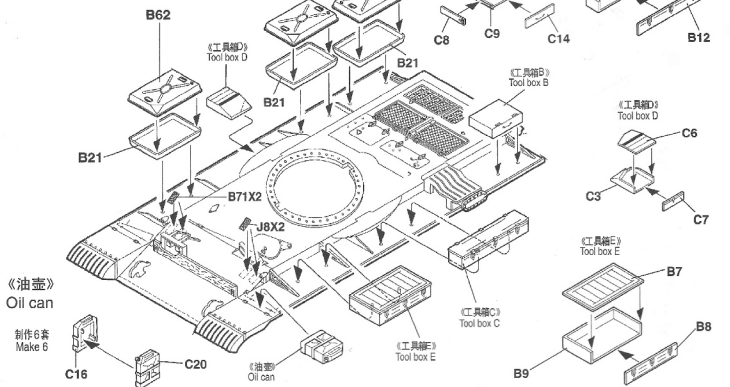
水贴纸的使用:

1. 从水贴纸上剪下印花;
2. 将印花放入温水中浸10秒, 然后放在干净布上。
3. 拿着印花纸板将印花移到模型上;
4. 手指蘸水将印花移到适当的位置;
5. 用软布轻压印花直至水干, 气泡消失。

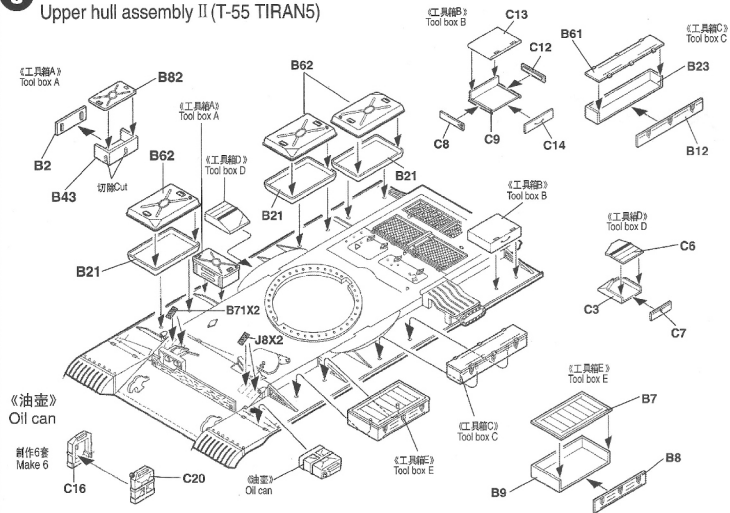
DECAL APPLICATION

1. Cut off decal from sheet.
2. Dip the decal in tepid water 40 °C for about 10 sec. and place on a clean cloth.
3. Hold the backing sheet edge and slide decal onto the model.
4. Move decal into position by wetting decal with finger.
5. Press decal gently down with a soft cloth until excess water and air bubbles are gone.

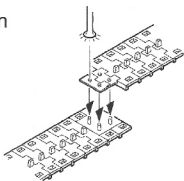
6 车体上部组装 II (T-54 TIRAN 4) Upper hull assembly II (T-54 TIRAN 4)



6 车体上部组装 II (T-55 TIRAN5) Upper hull assembly II (T-55 TIRAN5)



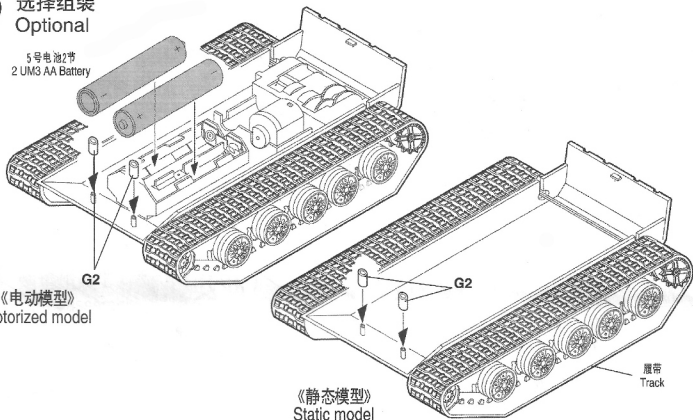
7 履带联接 Track construction



- 根据实际要求选择履带尺寸。
- 用热铁钉软化接头，用手指压下接头。若履带断裂，用细丝线固定。
- Melt pin heads carefully with a heated nail etc. Immediately press pin heads with your finger.
- If track is broken strengthen with staples, or thread.

8 选择组装 Optional

5号电池2节
2 UM3 AA Battery

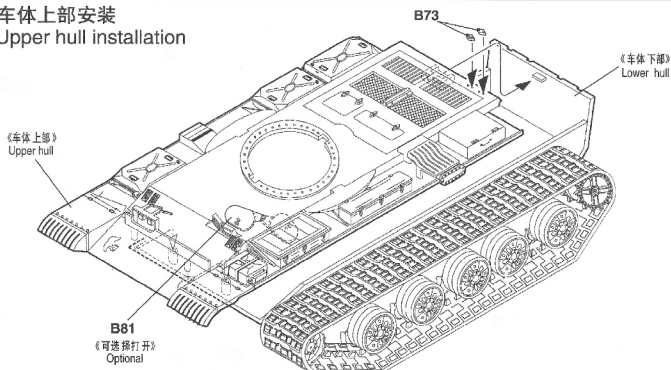


《电动模型》
Motorized model

《静态模型》
Static model

履带
Track

9 车体上部安装 Upper hull installation



《车体上部》
Upper hull

B81
《可选择打开》
Optional

《车体下部》
Lower hull

10 后板组装 II

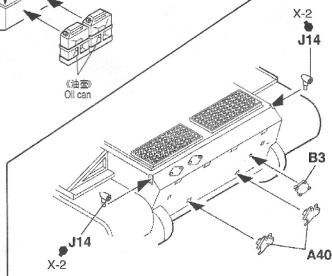
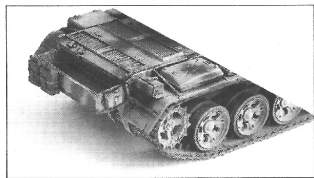
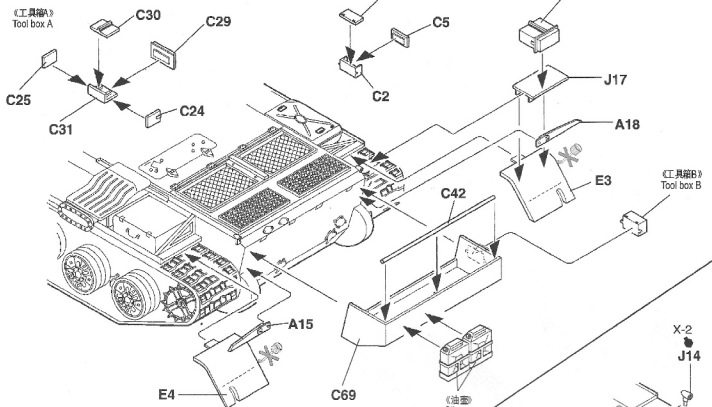
Rear panel assembly II

《工具箱A》
Tool box A

《工具箱B》
Tool box B

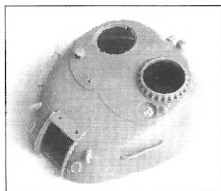
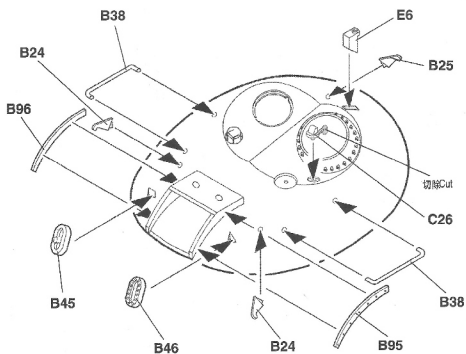
《工具箱A》
Tool box A

《工具箱B》
Tool box B



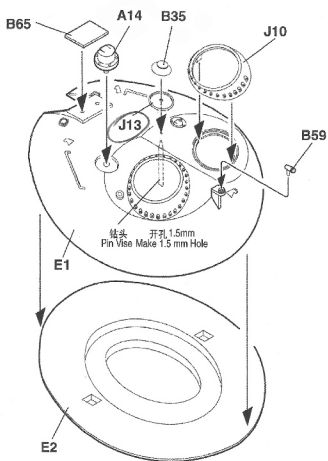
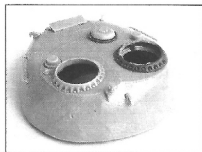
11 炮塔组装 I

Turret assembly I

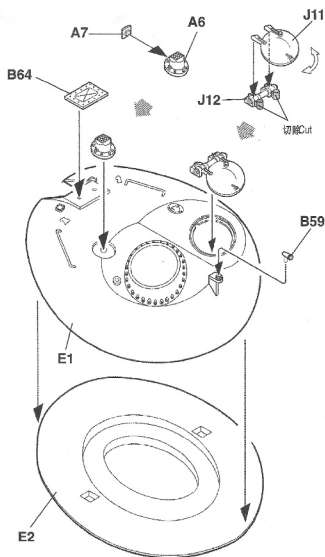
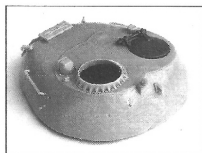


12 炮塔组装 II (T-54 TIRAN4)
Turret assembly II (T-54 TIRAN4)

可自由选择组装T-54 TIRAN4或T-55 TIRAN5
Optional assembly T-54 TIRAN4 or T-55 TIRAN5

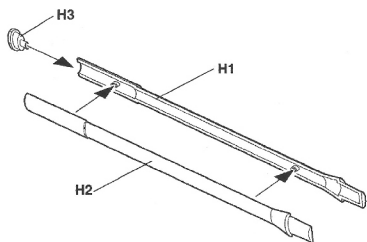


12 炮塔组装 II (T-55 TIRAN5)
Turret assembly II (T-55 TIRAN5)

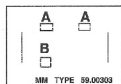


13 100mm主炮组装 (T-54 TIRAN4)
100mm main gun assembly (T-54 TIRAN4)

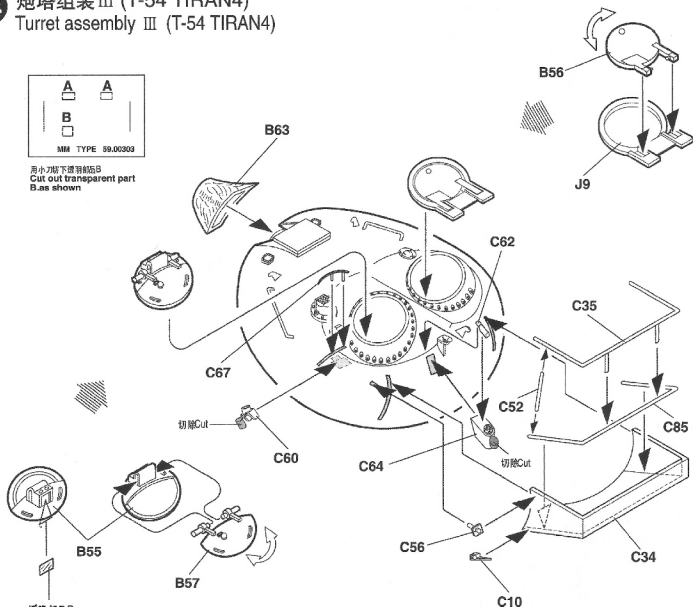
100mm 主炮 (T-54 TIRAN4)
100mm main gun (T-54 TIRAN4)



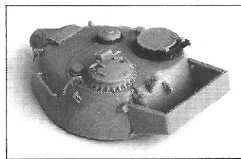
14 炮塔组装Ⅲ (T-54 TIRAN4)
Turret assembly Ⅲ (T-54 TIRAN4)



用剪刀剪下透明部件B
Cut out transparent part B as shown

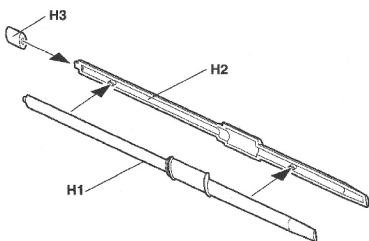


透明部件B
Transparent part B

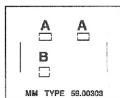


13 105mm主炮组装 (T-55 TIRAN5)
105mm main gun assembly (T-55 TIRAN5)

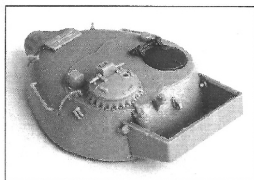
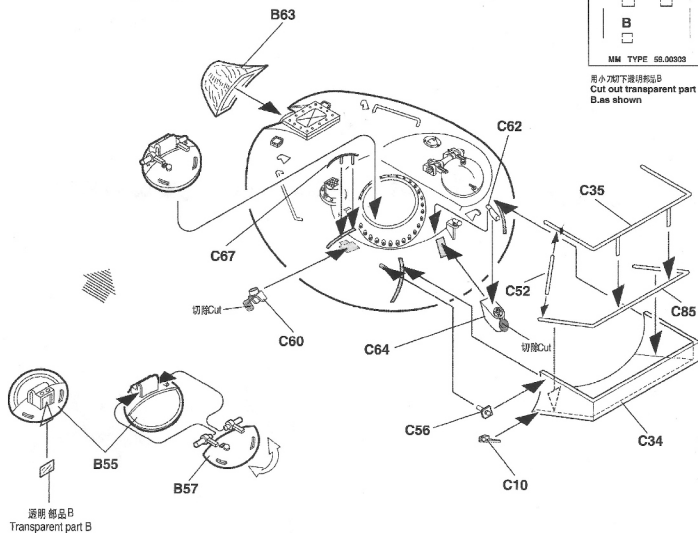
105mm 主炮 (T-55 TIRAN5)
105mm main gun (T-55 TIRAN5)



14 炮塔组装Ⅲ (T-55 TIRAN5)
Turret assembly Ⅲ (T-55 TIRAN5)

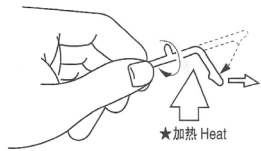


用小刀切下透明部品B
Cut out transparent part B as shown

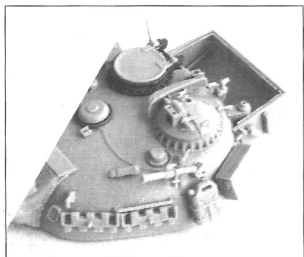
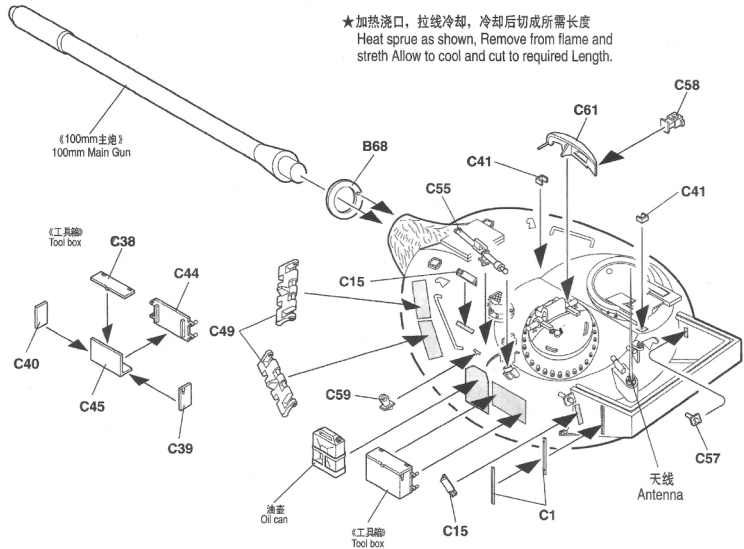


15 炮塔组装IV (T-54 TIRAN4)
Turret assembly IV (T-54 TIRAN4)

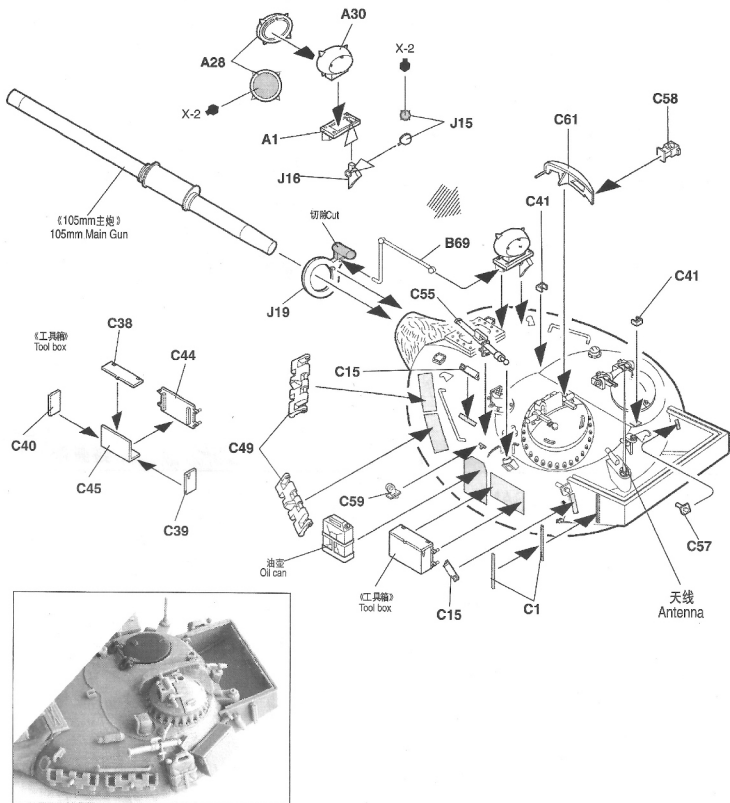
《天线制作》 How to make antenna



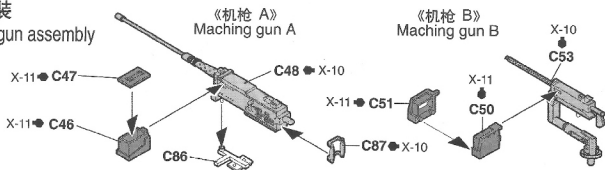
★加热浇口，拉线冷却，冷却后切成所需长度
Heat sprue as shown, Remove from flame and stretch Allow to cool and cut to required Length.



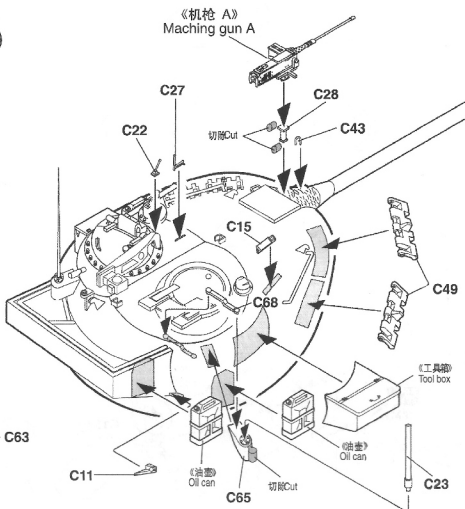
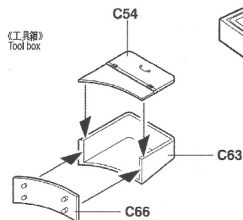
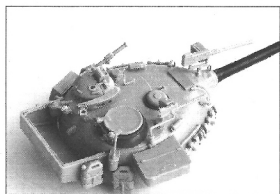
15 炮塔组装 IV (T-55 TIRAN5) Turret assembly IV (T-55 TIRAN5)



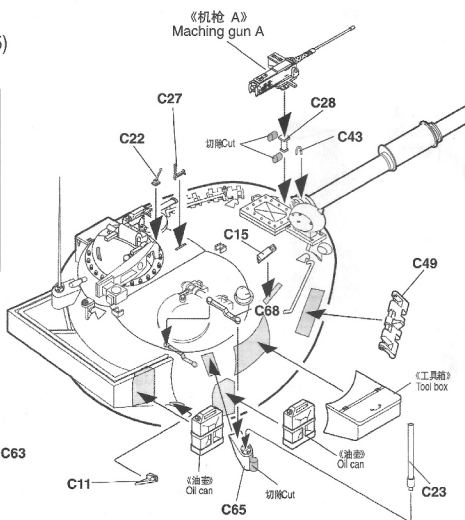
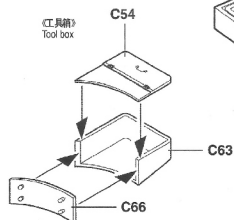
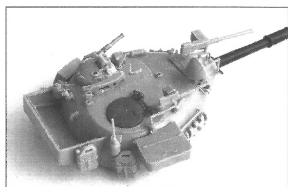
16 机枪组装 Maching gun assembly



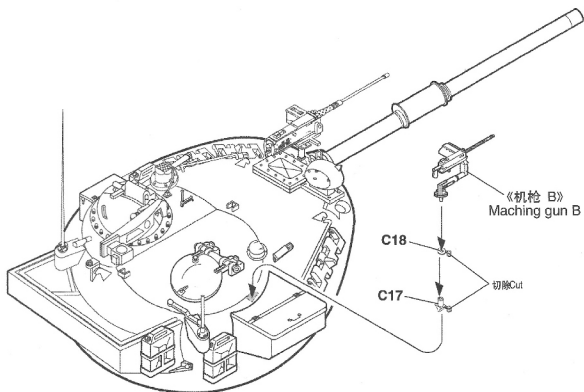
17 炮塔组装 V (T-54 TIRAN4)
Turret assembly V (T-54 TIRAN4)



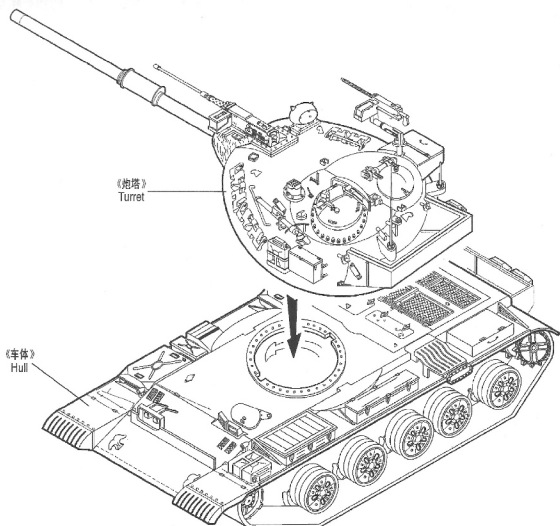
17 炮塔组装 V (T-55 TIRAN5)
Turret assembly V (T-55 TIRAN5)



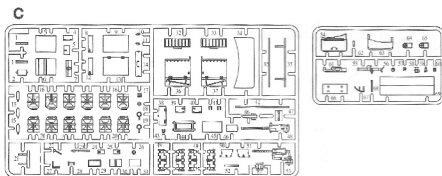
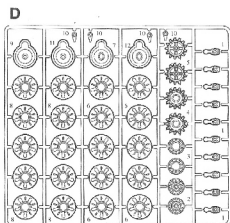
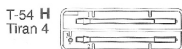
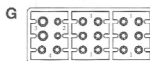
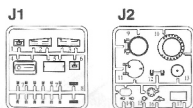
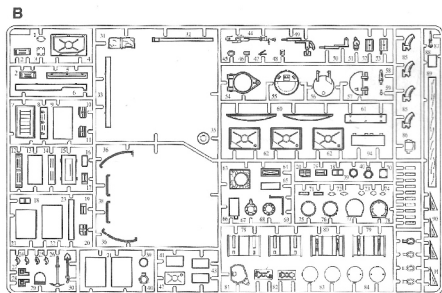
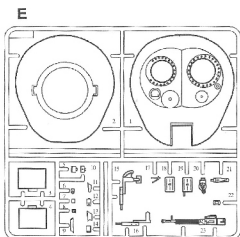
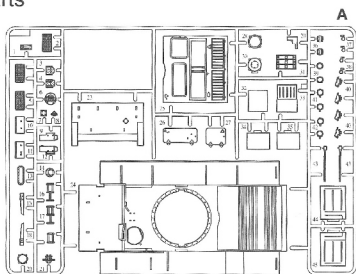
18 机枪装配
Attaching machine gun



19 炮塔连接
Attaching turret

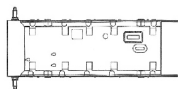


部品图
Parts



不用部品
Parts not used

- A2.A3.A4.A5.A8.A9.A10.A11.A12.A16.A17.A19.A20.A21.A29.A31.A34.
A35.A36.A39.A41.A42.A43.A44.A45.
B1.B4.B5.B10.B11.B12.B13.B14.B15.B16.B17.B18.B19.B20.B22.B26.
B27.B28.B29.B30.B39.B40.B44.B47.B48.B49.B50.B51.B52.B53.B54.
B58.B66.B67.B70.B72.B74.B75.B76.B77.B78.B79.B80.B85.B86.B87.
B89.B92.B93.
E5.E7.E8.E9.E10.E11.E12.E13.E14.E15.E16.E17.E18.E19.E20.E21.E22.E23.



表冊 X2
Track X2

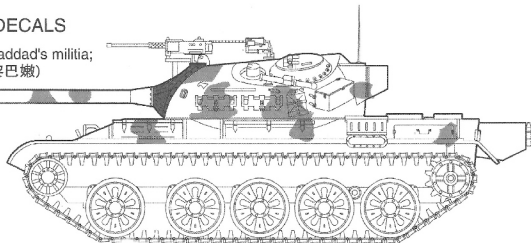


贴纸及涂装

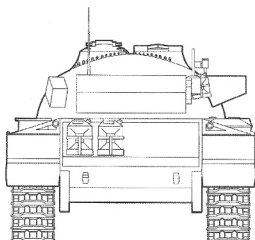
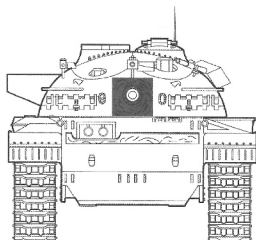
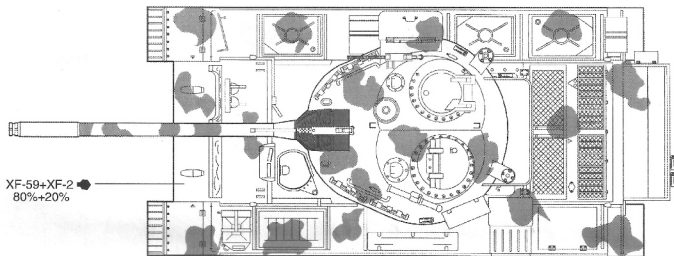
PAINTING & APPLY DECALS

T-54(mod) of Maj. Saad Haddad's militia;
Sidon, Lebanon, 1982 (黎巴嫩)

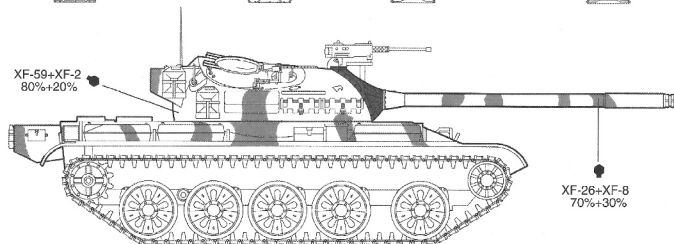
XF-26+XF-8
70%+30%



XF-59+XF-2
80%+20%



XF-59+XF-2
80%+20%



XF-26+XF-8
70%+30%

贴纸及涂装

PAINTING & APPLY DECALS

以色列 (Ti-67)
T-55 TIRAN5

COLOUR: XF-51+XF-55
70%+30%

