

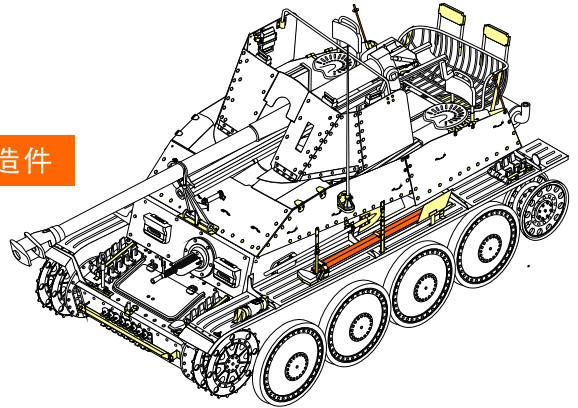
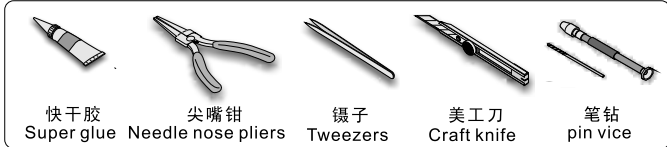
1/35 MILITARY MINIATURE VEHICLE UPGRADE SERIES PE35945


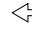







WWII German Tank Destroyer Marder III (Sd.Kfz. 139) Basic


二战德军黄鼠狼III坦克歼击车(Sd. Kfz. 139)基本改造件

[For TAMIYA 35248]

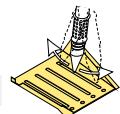
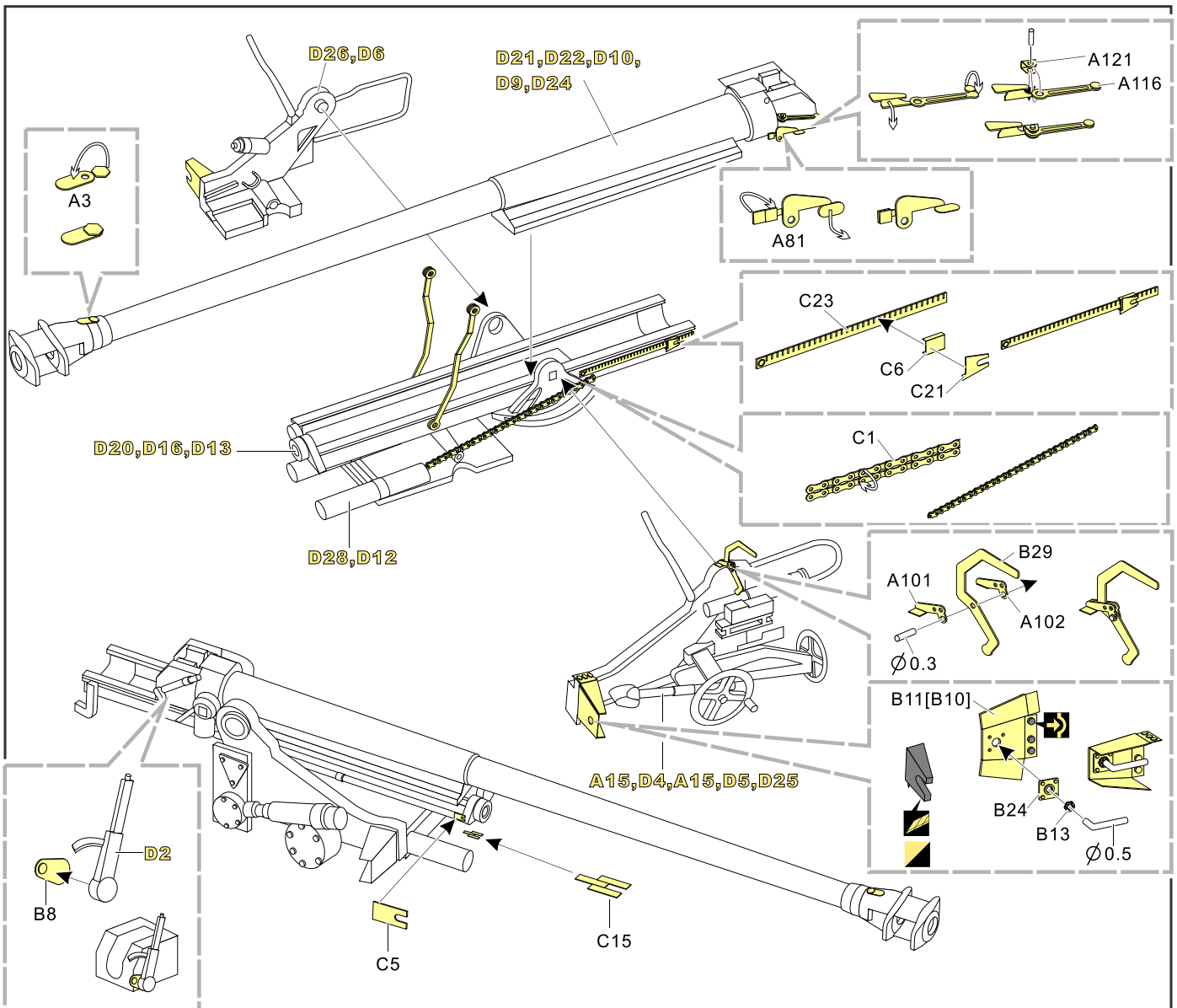
■ 推荐使用工具 RECOMMENDED TOOLS



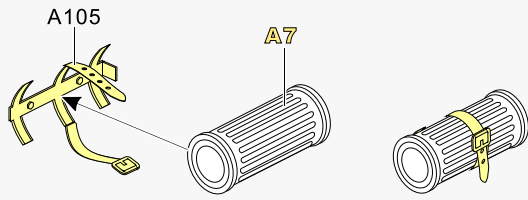
- 
 安装
install
- 
 折叠
bend
- A1**
 改造件零件编号
PE/resin part number
- B12**
 原零件编号
kit part number
- C22**
 被替换的原零件编号
replaced kit part number
- 
 另一侧相同制作
repeat on opposite side
- 
 切除
remove
- 
 打磨
grind off
- 
 弧度卷曲
radial bending
- x2**
 制作若干组
multiple assembly
- 
 选择安装
alternative
- 
 钻孔
drill
- 
 用胶棒制作
make from plastic rod


 用尖端在凹槽处冲压
use penpoint to press on the dent

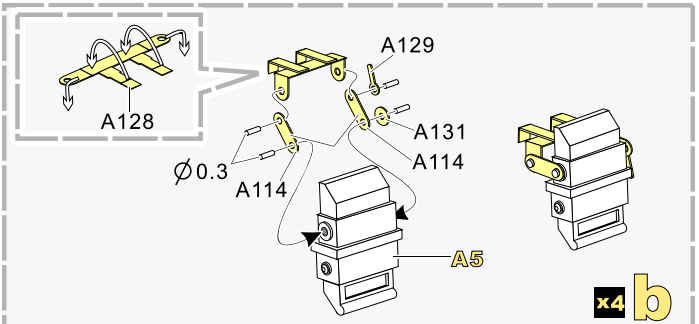
蚀刻片零件内朝面向上
Put the part upside down
 用笔尖在凹槽处刺
Use penpoint to press on the dent

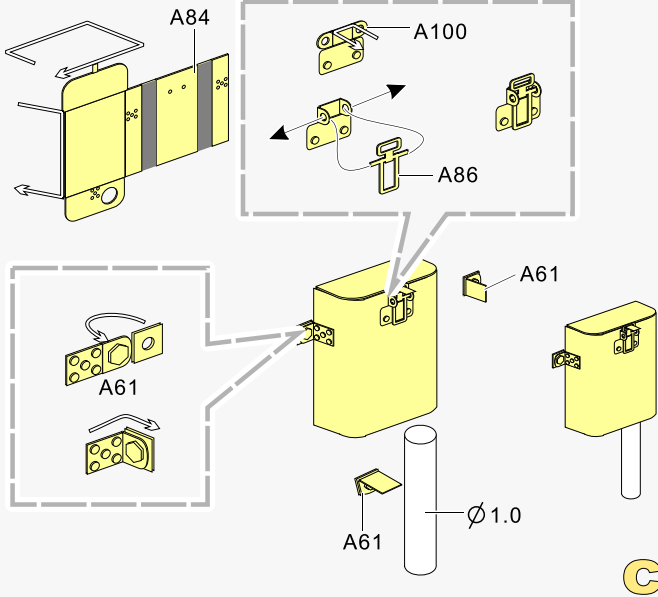
1/35 MILITARY MINIATURE VEHICLE UPGRADE SERIES PE35945



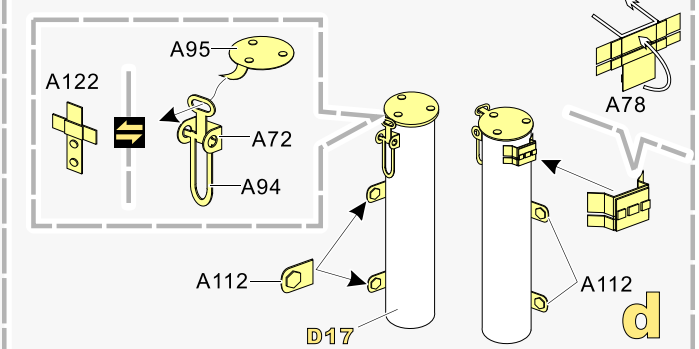
x4 **a**



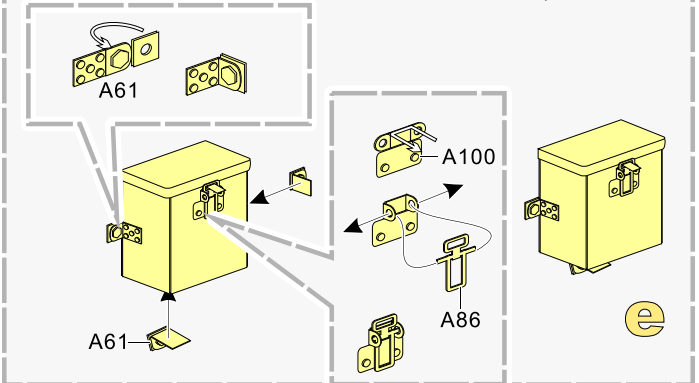
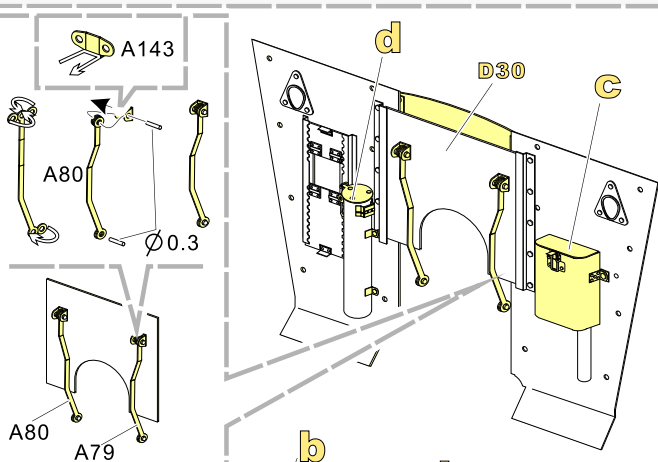
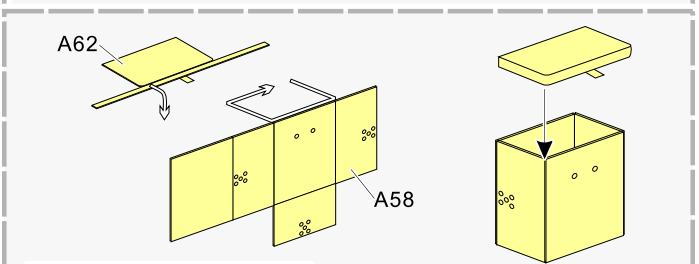
x4 **b**



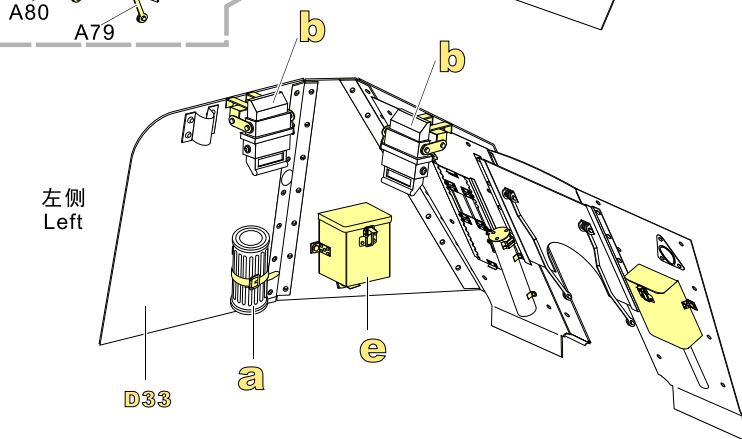
c



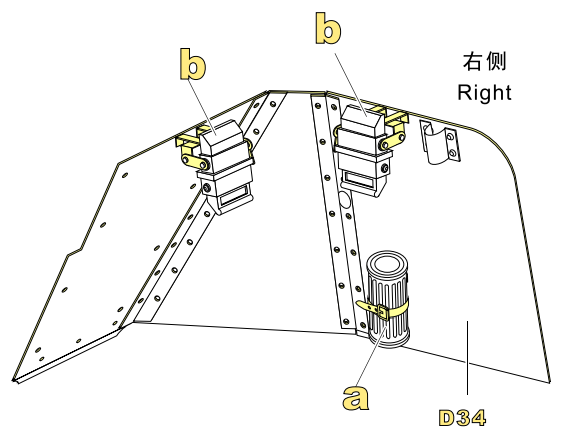
d



e



左侧
Left



右侧
Right

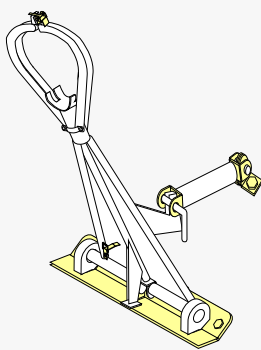
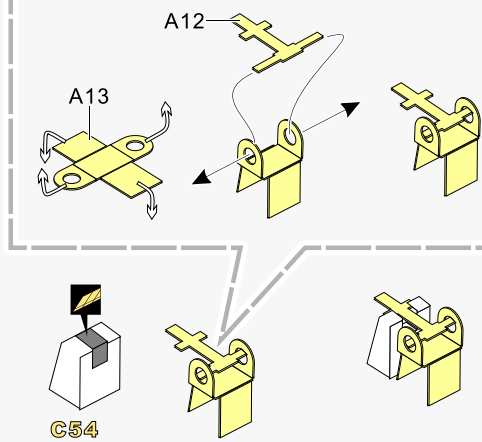
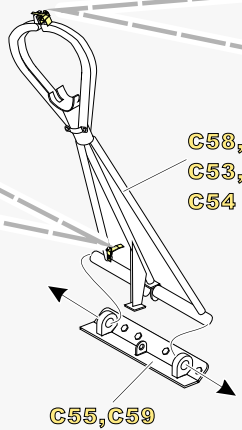
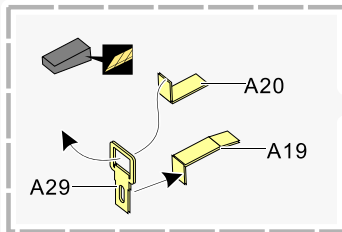
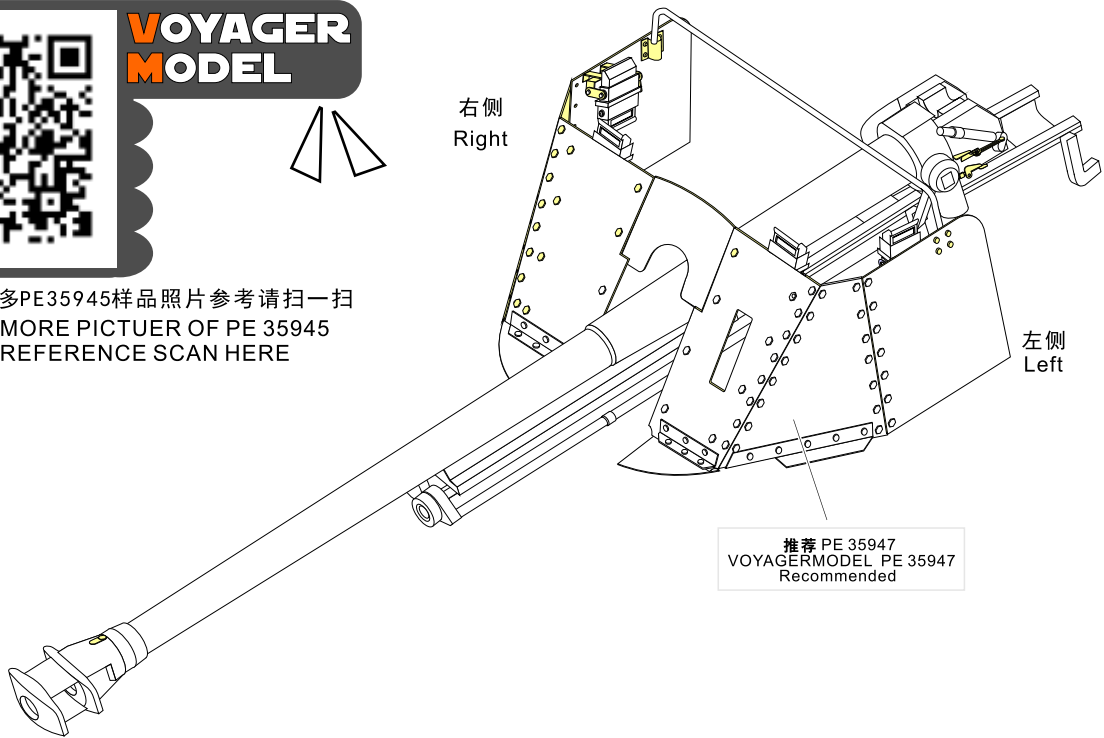
1/35 MILITARY MINIATURE VEHICLE UPGRADE SERIES PE35945



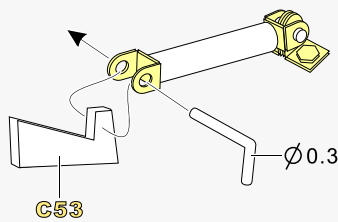
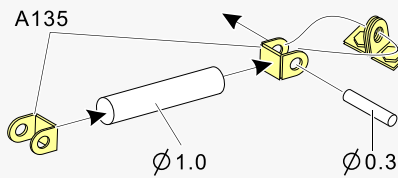
**VOYAGER
MODEL**



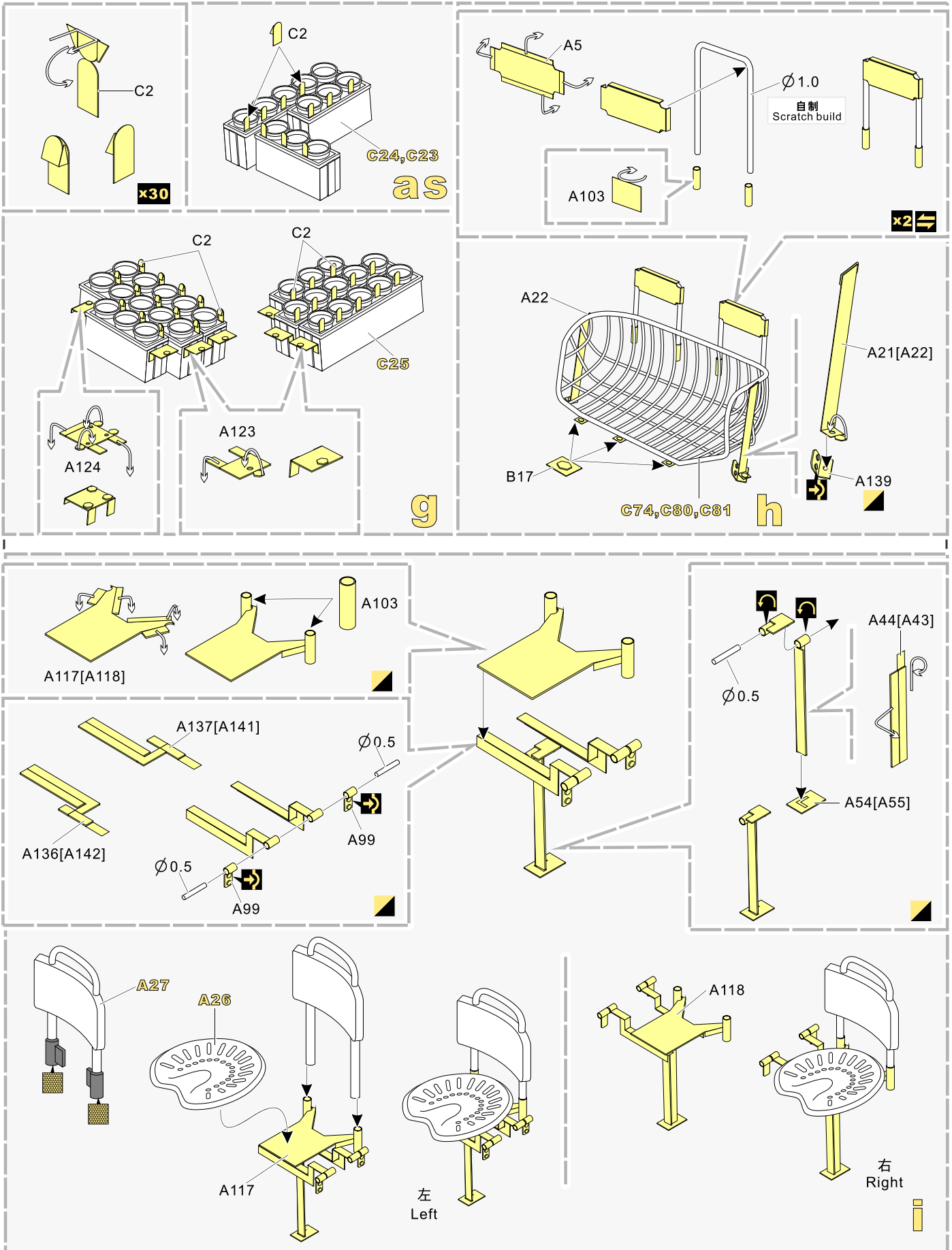
更多PE35945样品照片参考请扫一扫
MORE PICTUER OF PE 35945
REFERENCE SCAN HERE



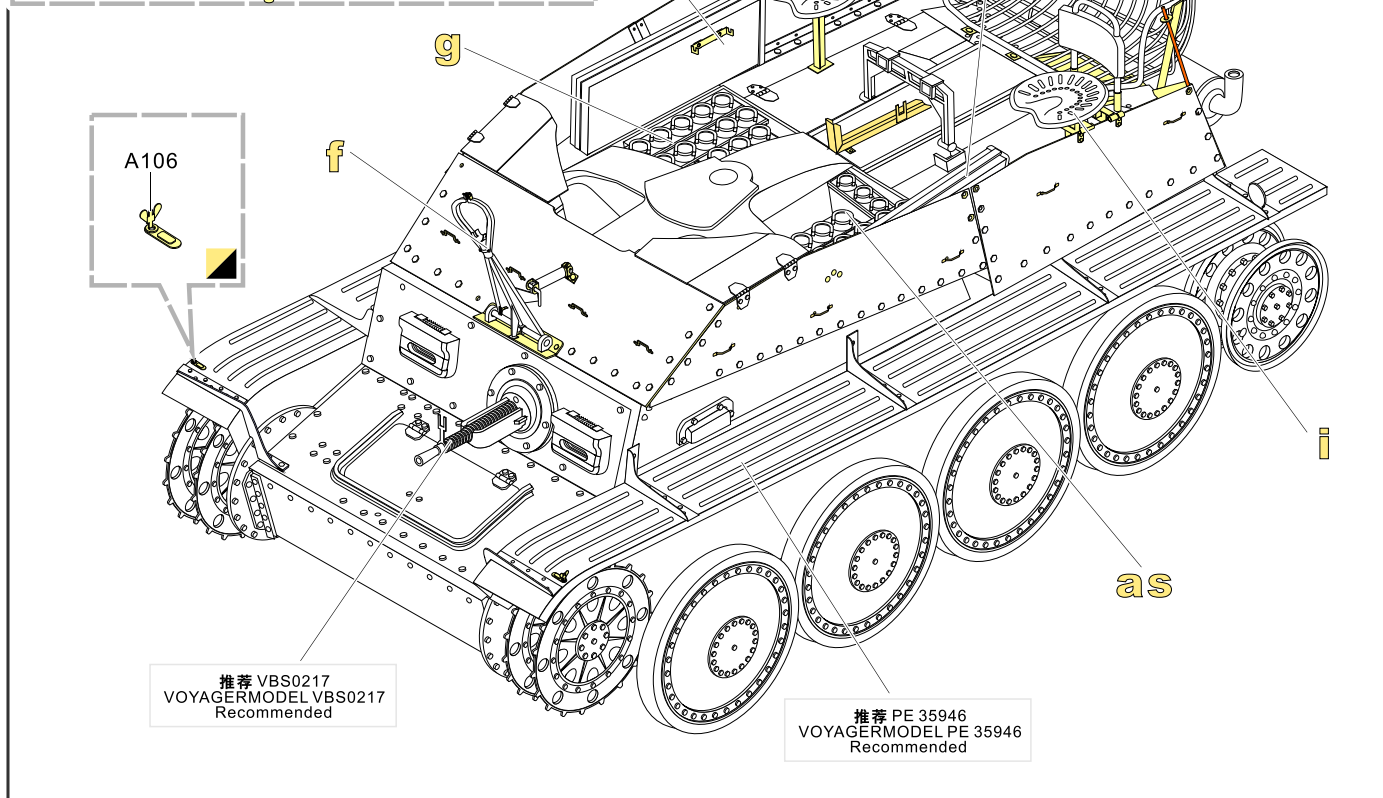
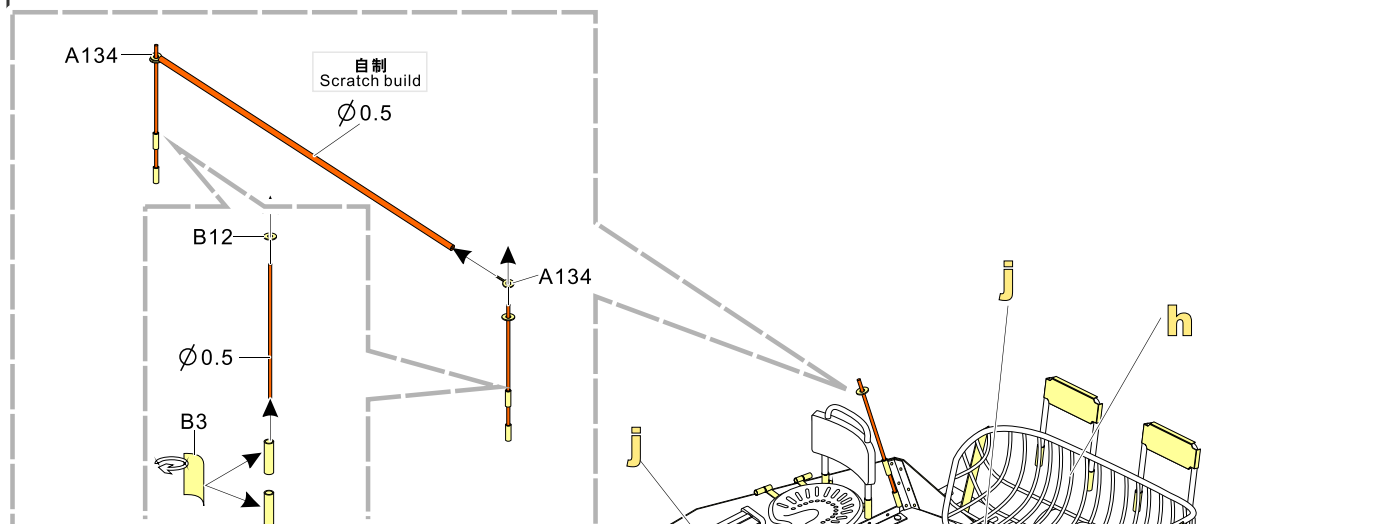
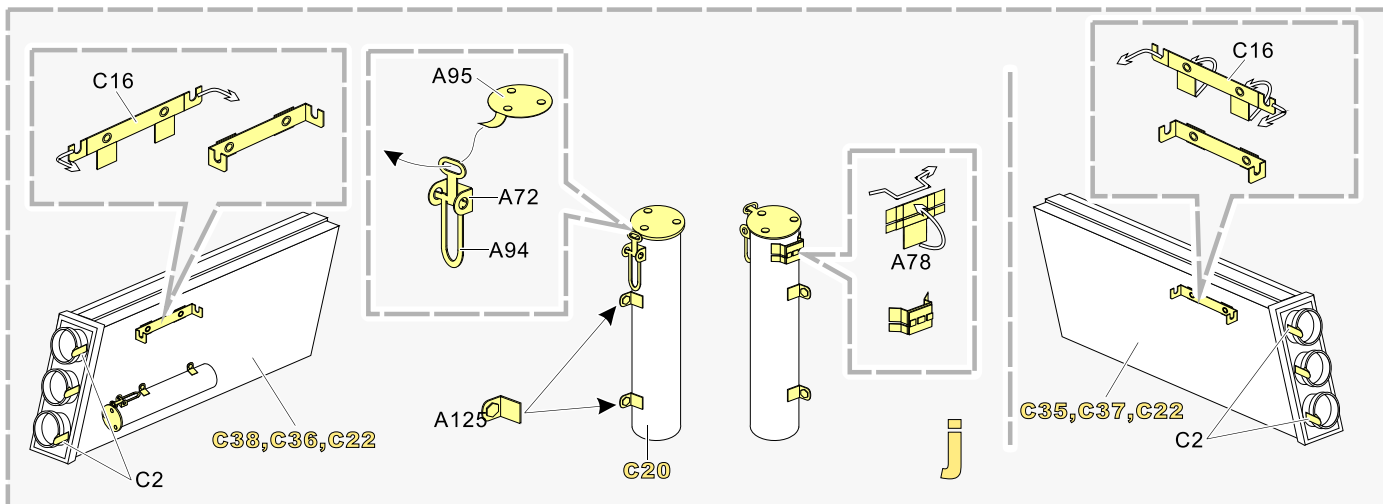
f



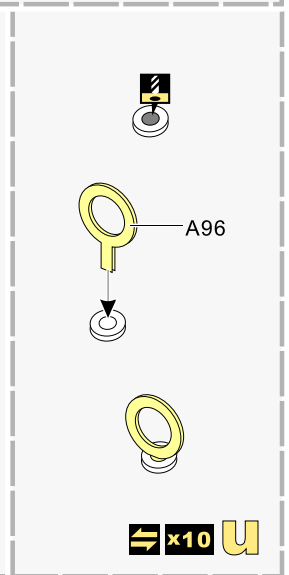
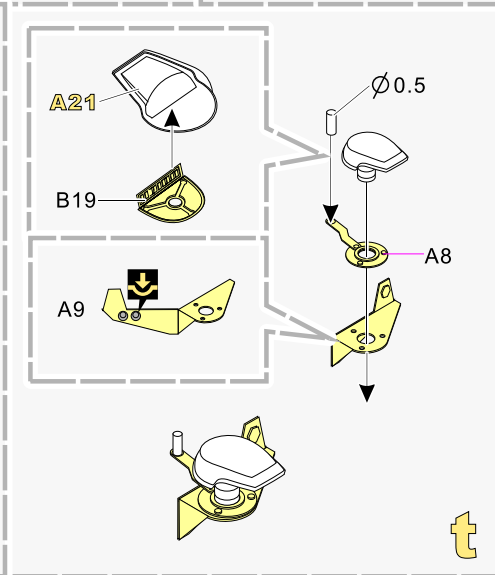
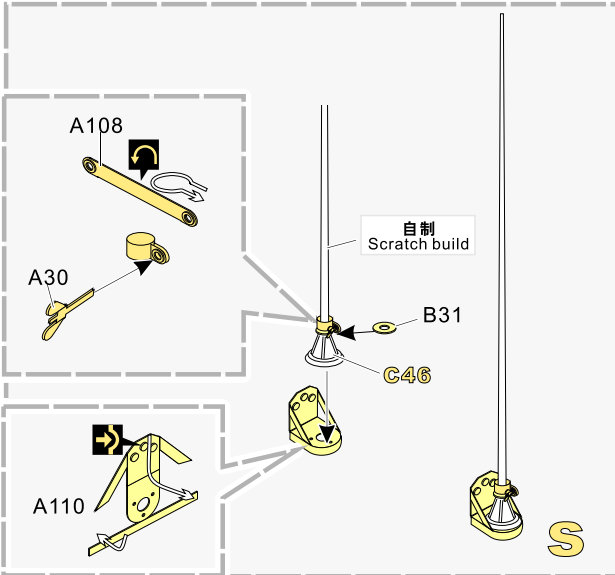
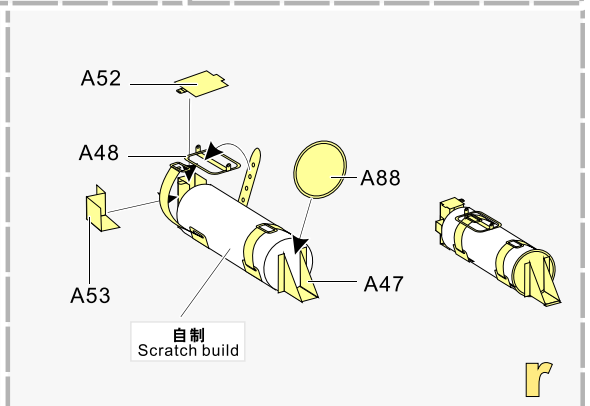
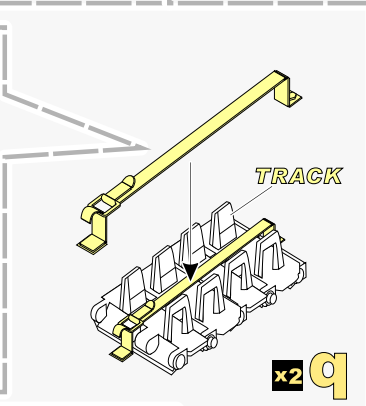
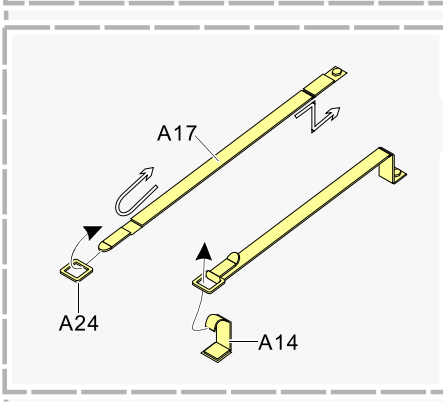
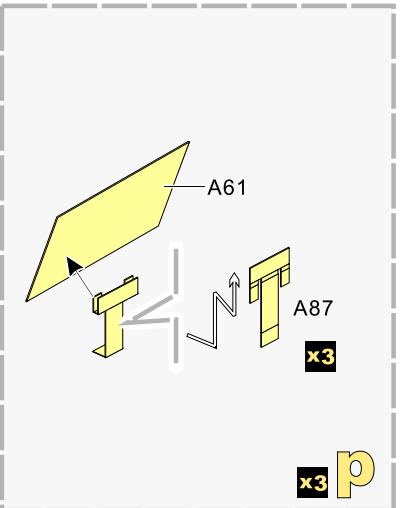
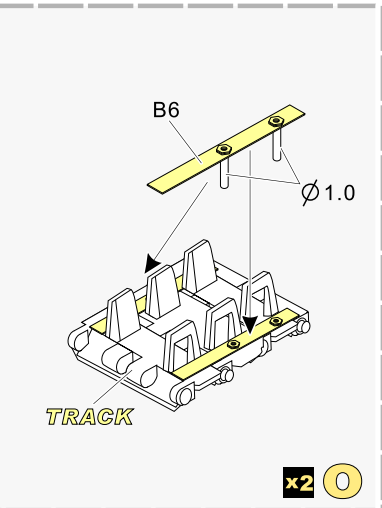
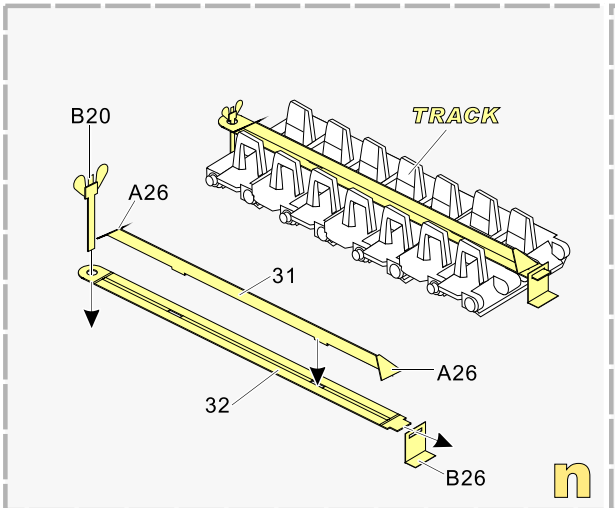
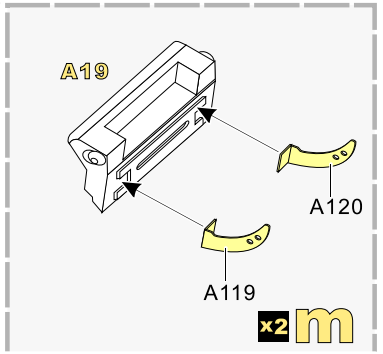
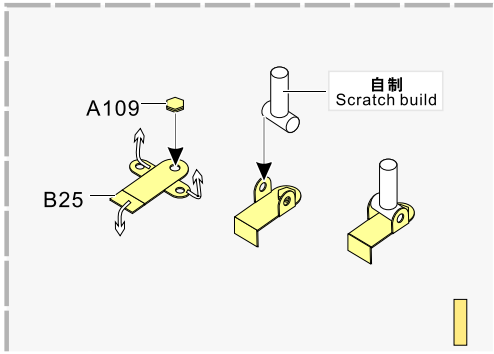
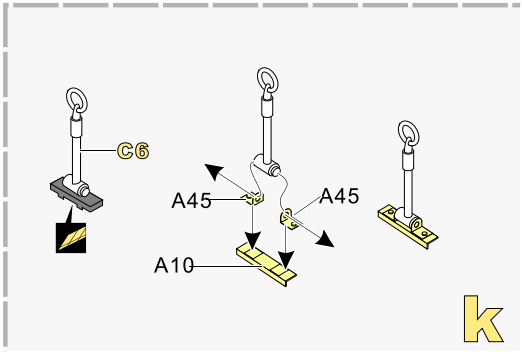
1/35 MILITARY MINIATURE VEHICLE UPGRADE SERIES PE35945



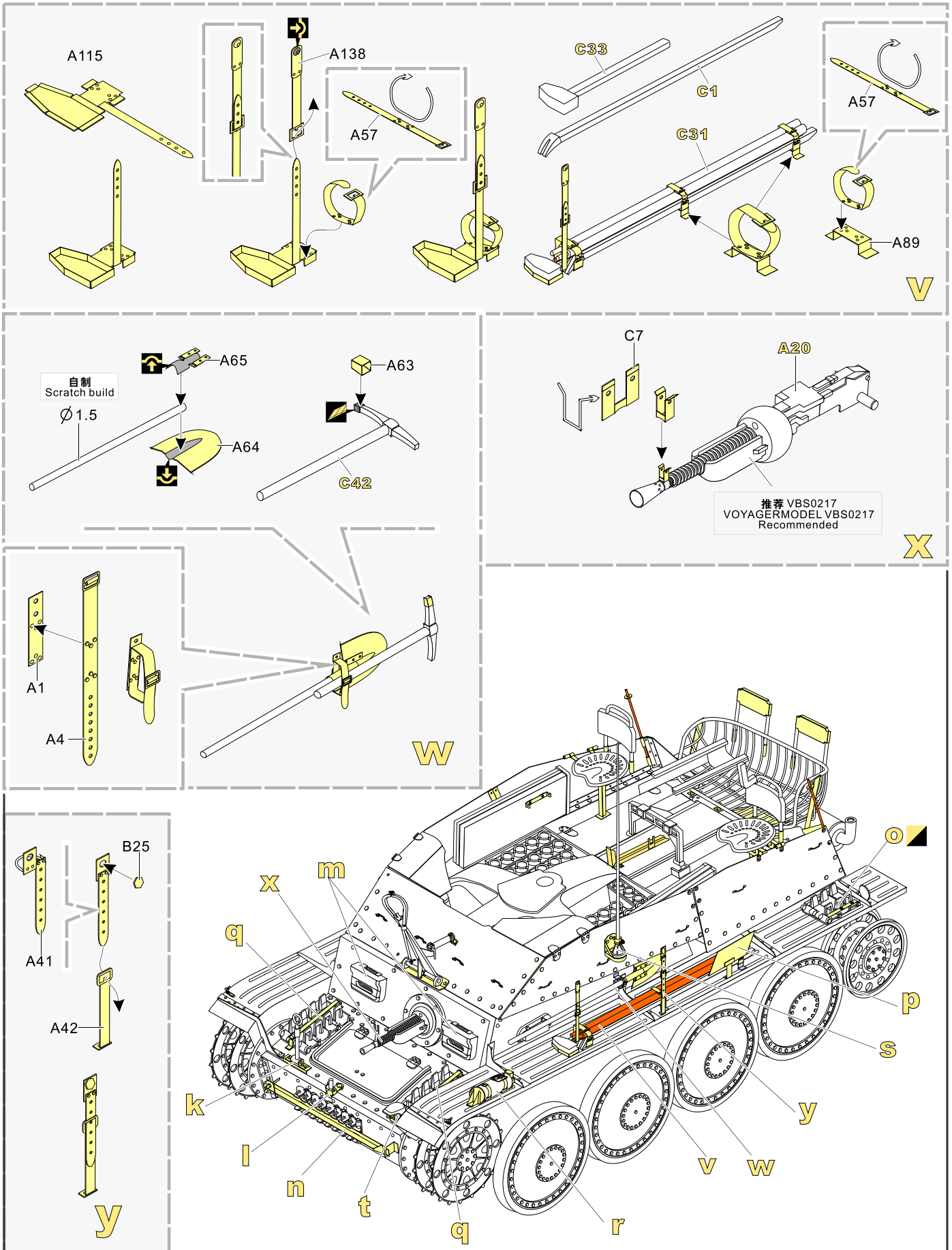
1/35 MILITARY MINIATURE VEHICLE UPGRADE SERIES PE35945



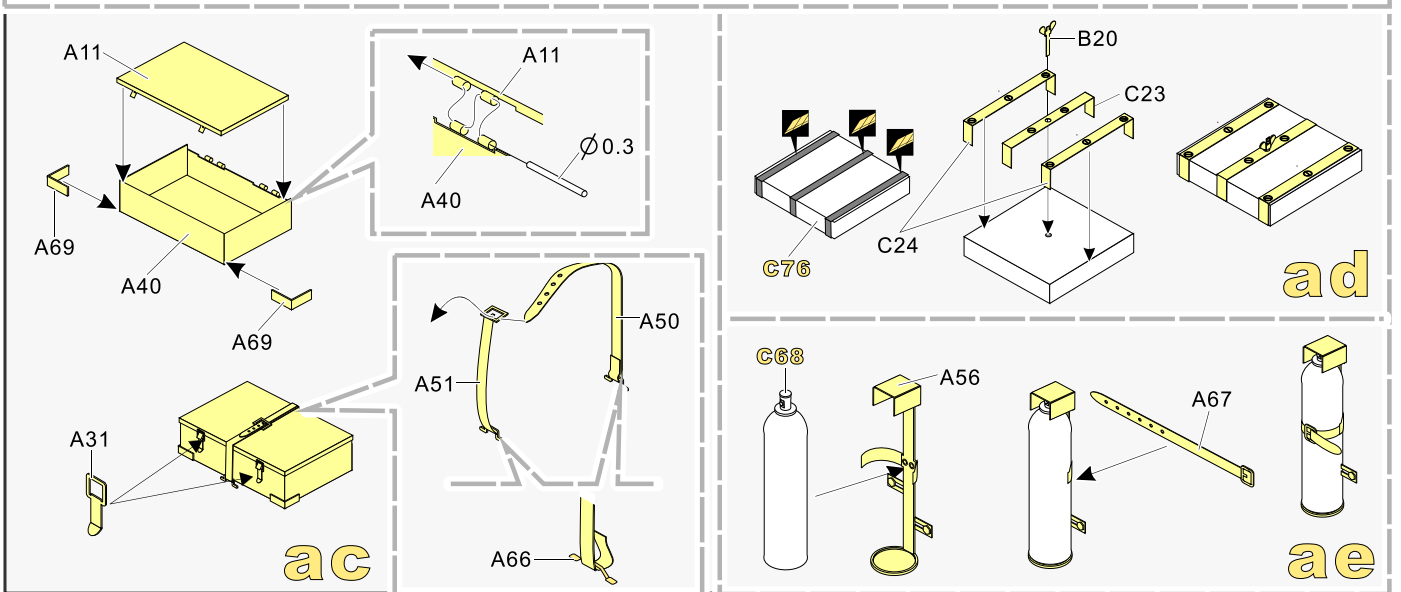
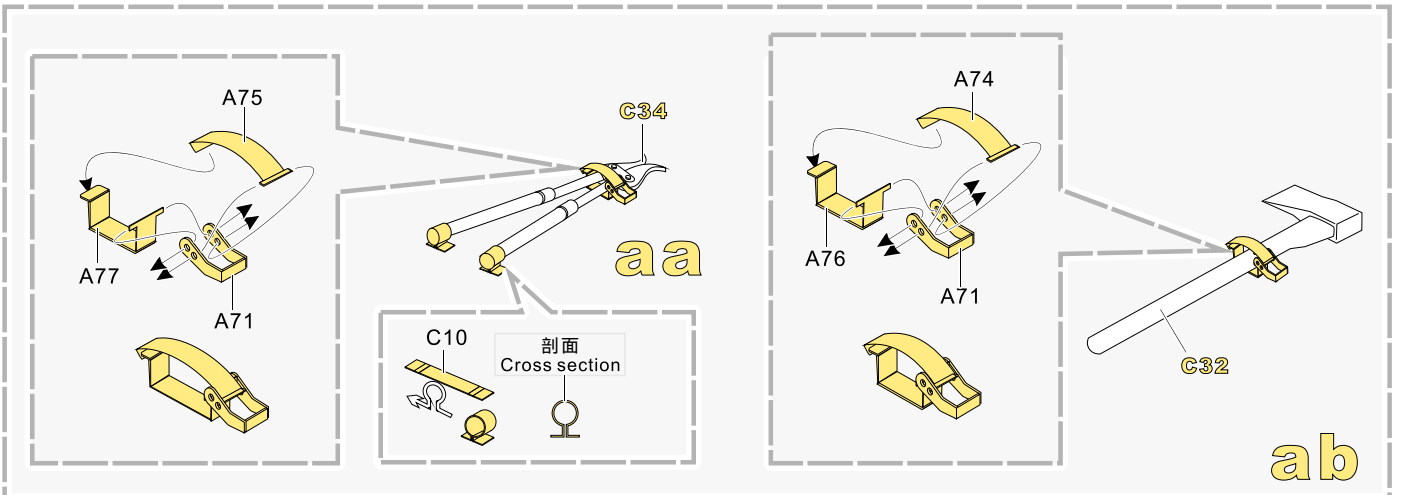
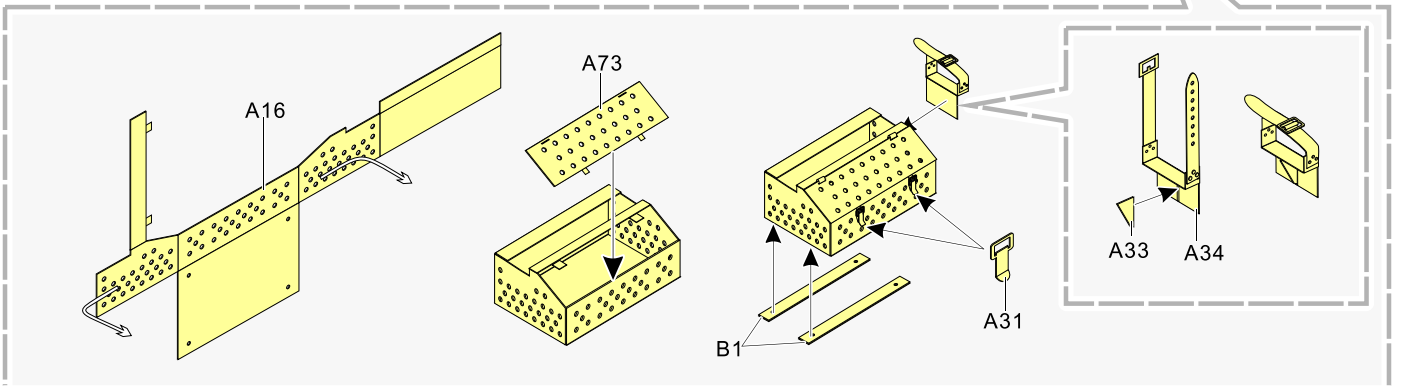
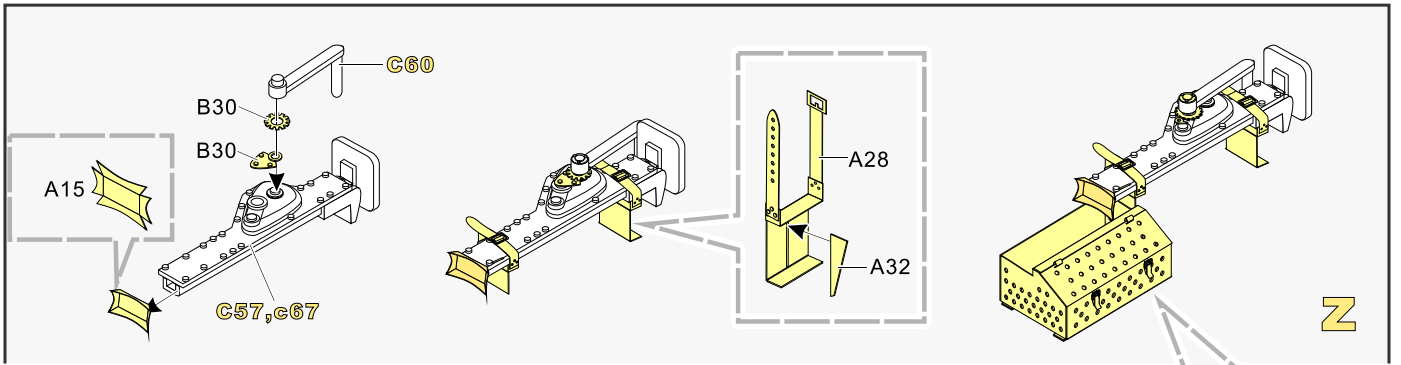
1/35 MILITARY MINIATURE VEHICLE UPGRADE SERIES PE35945



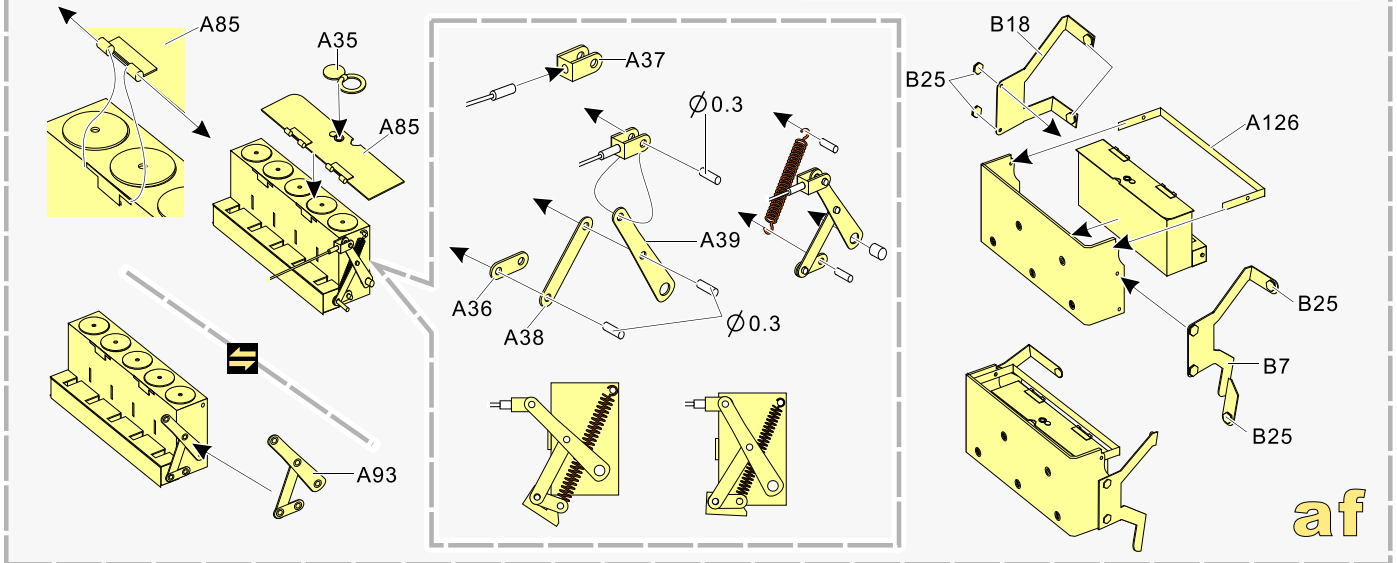
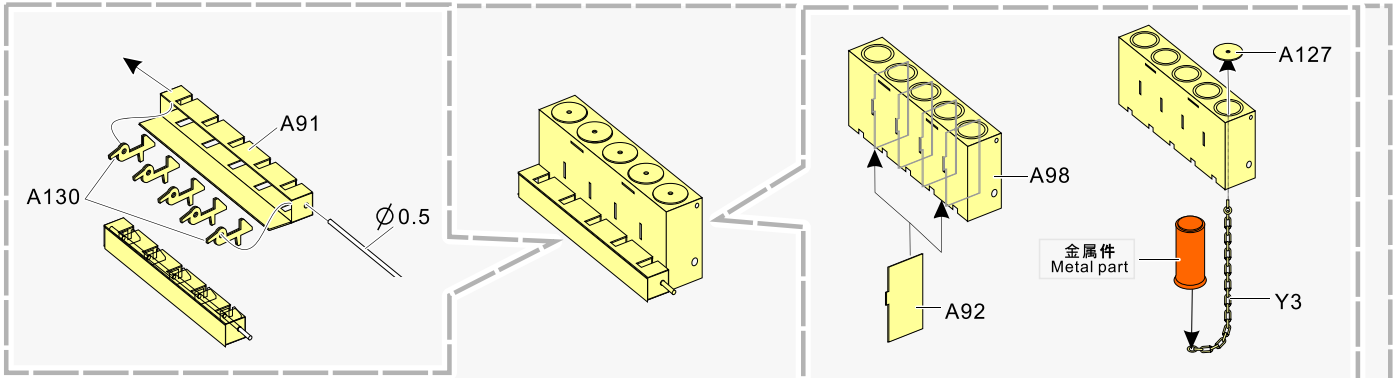
1/35 MILITARY MINIATURE VEHICLE UPGRADE SERIES PE35945



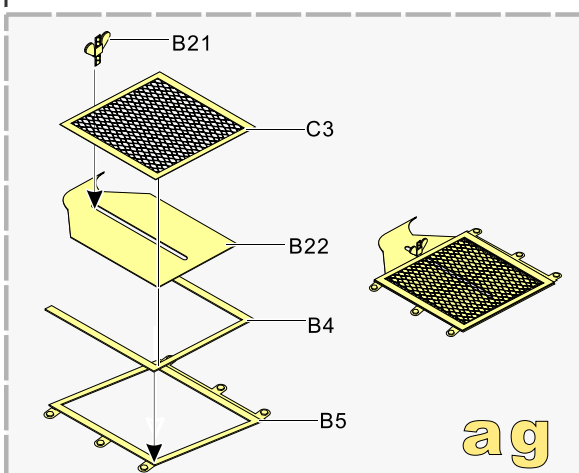
1/35 MILITARY MINIATURE VEHICLE UPGRADE SERIES PE35945



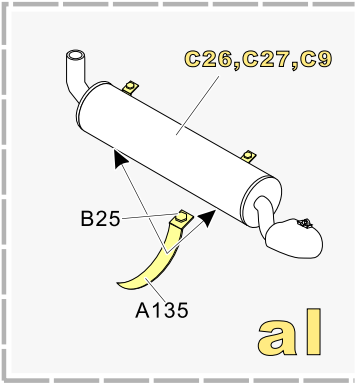
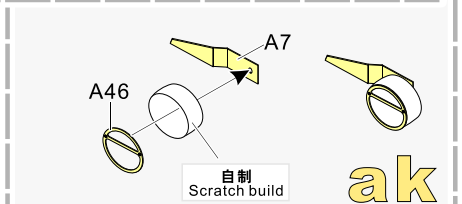
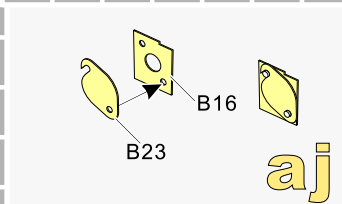
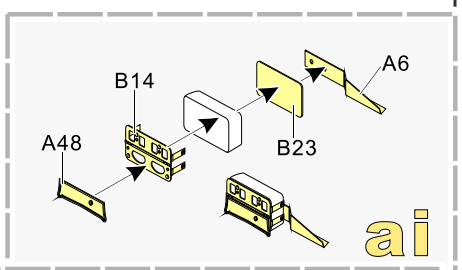
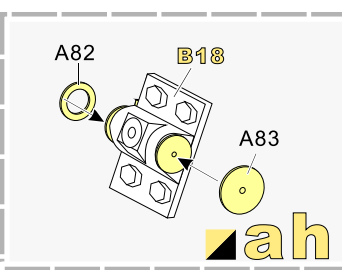
1/35 MILITARY MINIATURE VEHICLE UPGRADE SERIES PE35945



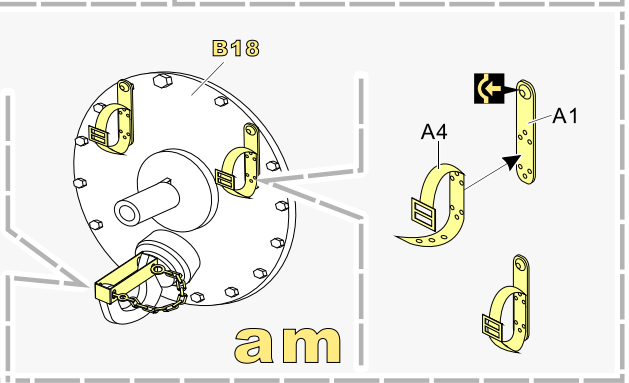
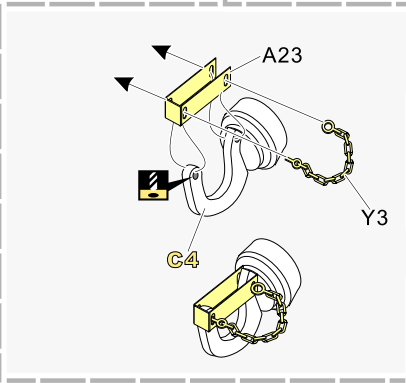
af



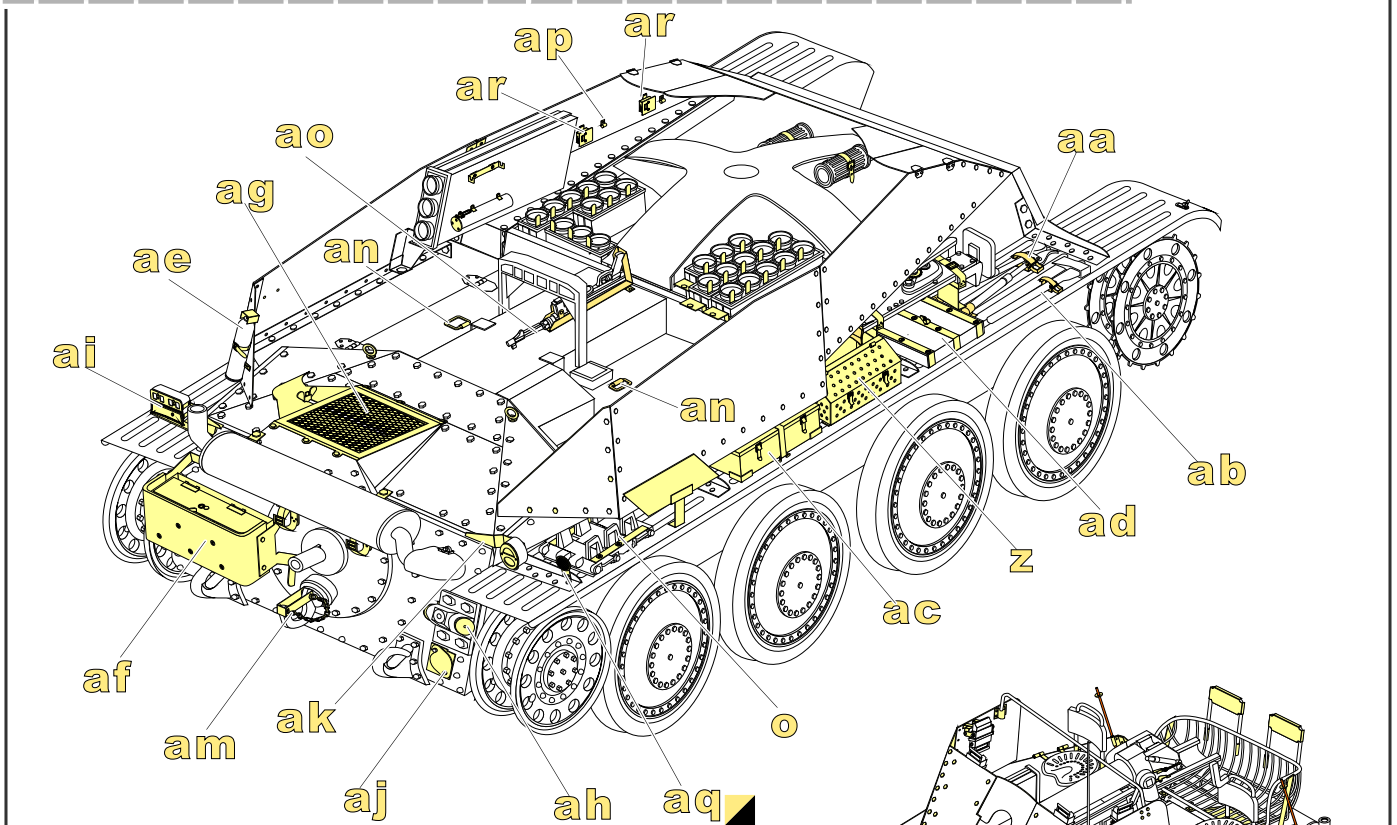
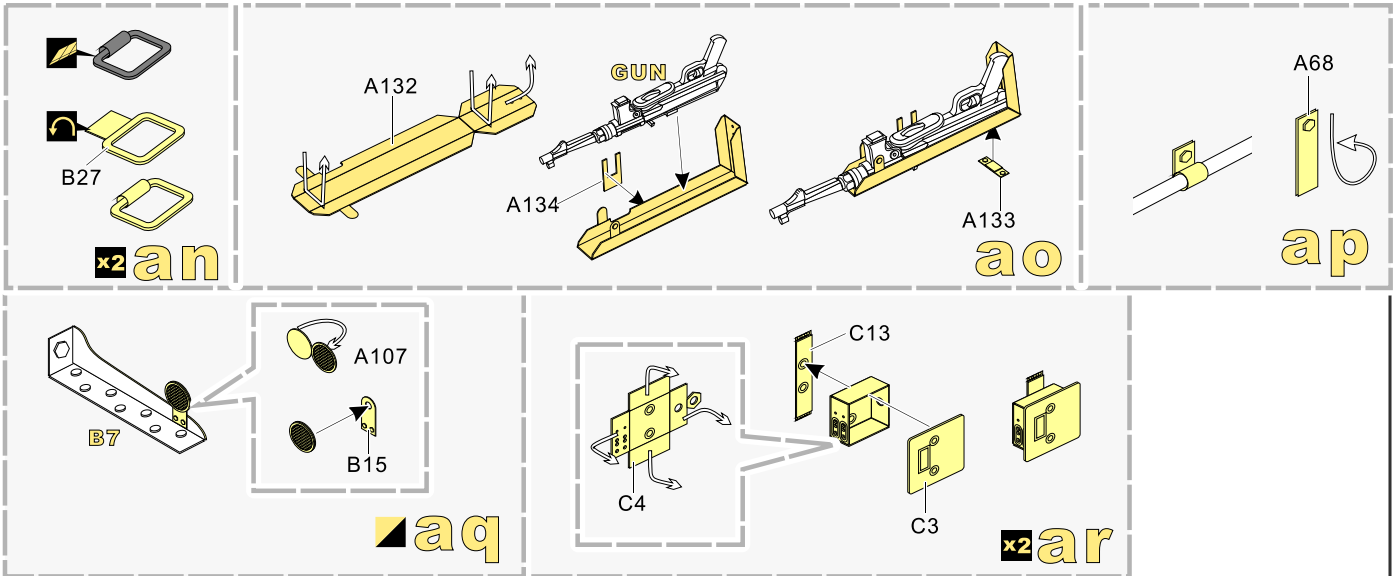
ag



al



1/35 MILITARY MINIATURE VEHICLE UPGRADE SERIES PE35945



VOYAGERMODEL® 无微不至 极尽享受
The Best Upgrade Solution

Recommended item

PE 35190	WWII German Marder III Ausf.M Initial Production Basic
PE 35191	WWII German Marder III Ausf.M Initial Production Armour plate
PE 35122	WWII German Marder III H Basic
PE 35224	WWII German Marder III M Basic
PE 35225	WWII German Marder III M Fenders
PE 35230	WWII German Flakpanzer 38(t) "Gepard" Basic
PE 35337	WWII Pz.Kpfw. III Ausf N late version
PE 35226	WWII German Marder III M Armour plate
PE 35112	WWII German Pz.Kpfw.38(t) Ausf.E/F
PE 35232	WWII German Flakpanzer 38(t) "Gepard"fenders
PE 35154	WWII German Marder III H Basic
PE 35155	WWII German Marder III H Armour plate
PE 35156	WWII German Pz.Kpfw.38(t) Fenders
PE 35946	WWII German Tank Destroyer Marder III (Sd.Kfz. 139)fenders w/additional parts
PE 35947	WWII German Tank Destroyer Marder III (Sd.Kfz. 139) Armour Plates
PE 16028	WWII German Pz.Kpfw.38(t) Ausf.E/F Basic Upgrade Set
PE 16029	WWII German Pz.Kpfw.38(t) Ausf.E/F Fenders w/Track Casting Numbers

