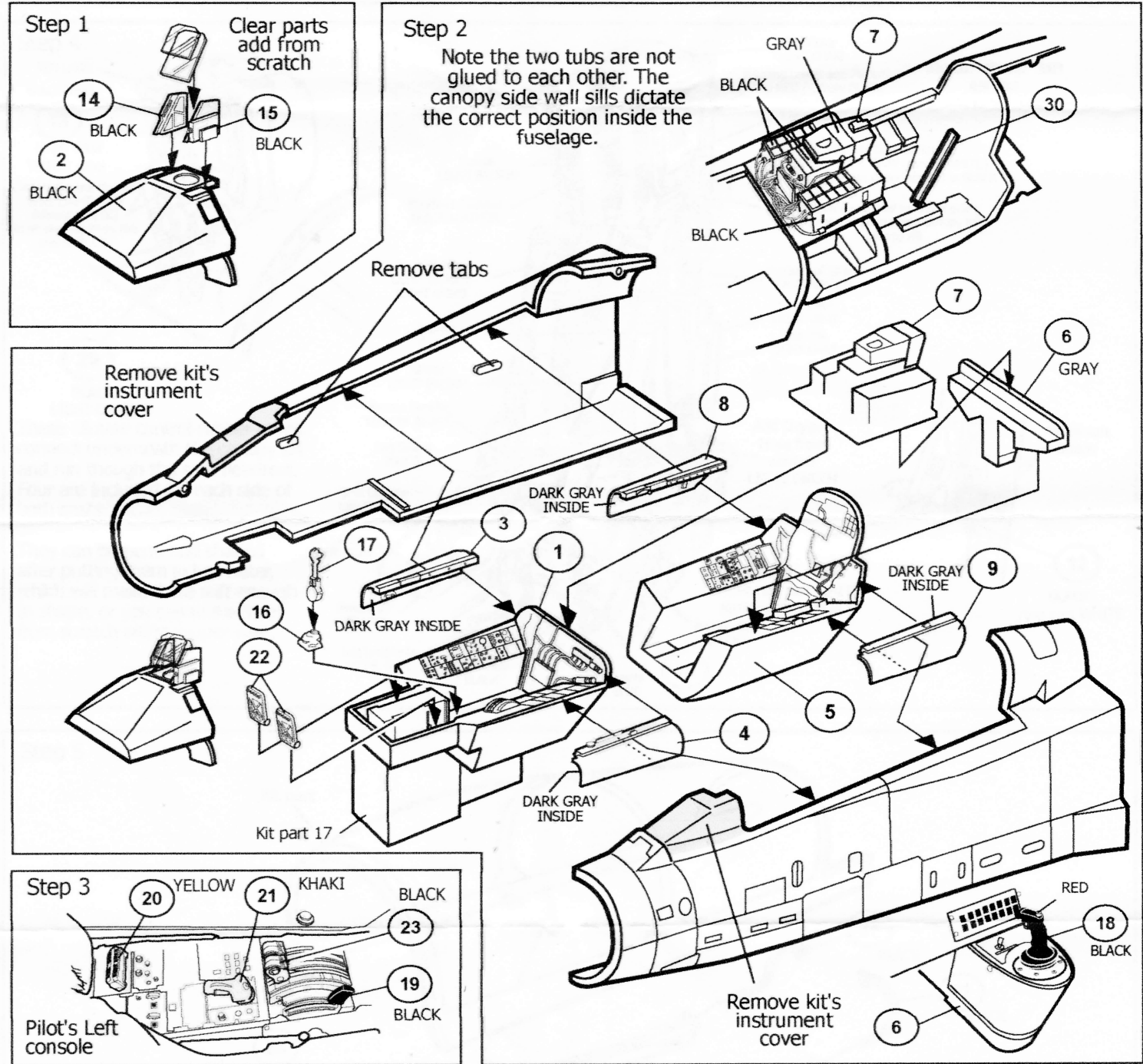


RESIN PARTS:

- | | | |
|---------------------------------|--------------------------------------|--------------------------------|
| 1. Front Cockpit Tub | 12. Ejection Seat Oxygen Bottle (x2) | 23. Throttle Handle Grips (x2) |
| 2. Front Cockpit Main Panel | 13. Ejection Seat Relay Box (x2) | 24. Right Canopy Frame |
| 3. Front Right Side Wall | 14. HUD Right Side | 25. Left Canopy Frame |
| 4. Front Left Side Wall | 15. HUD Left Side | 26. Right Climate Control Pipe |
| 5. Aft Cockpit Tub | 16. Front Cockpit Control Stick Base | 27. Left Climate Control Pipe |
| 6. Aft Cockpit Bottom Panel | 17. Front Cockpit Control Stick | 28. Front Canopy Frame |
| 7. Aft Instrument Assembly | 18. Aft Cockpit Radar Control Grip | Climate Control Pipe (x2) |
| 8. Aft Right Side Wall | 19. Flap Lever | 29. Climate Control Hose (x2) |
| 9. Aft Left Side Wall | 20. Crash Panel Emergency Handle | 30. Aft Cockpit Seat Rail |
| 10. Ejection Seat (x2) | 21. Swing Wing Control Grip | |
| 11. Ejection Seat PEC Unit (x2) | 22. Rudder Pedal (x4) | |



Item # AV32005 - page 1 of 2
 Panavia TORNADO GR MkI (IDS)
 update set for Revell kit
 1/32 scale



ACKNOWLEDGEMENTS:

With thanks to the **Machmaster** and **Willy Peeters** for the instruction sheet and to **Lonnie Berry** and **Dave Roof** for their support.
 Master pattern made by Jef Verswyvel

BEST REFERENCES:

- TORNADO IDS , Roger Chesneau, Aeroguide #24, Linewrights Ltd, UK, 1988.
- Lock On #12, Panavia TORNADO IDS, Willy Peeters, Verlinden Publications, 1991.

RESIN PARTS:

- | | | |
|---------------------------------|--------------------------------------|--------------------------------|
| 1. Front Cockpit Tub | 12. Ejection Seat Oxygen Bottle (x2) | 23. Throttle Handle Grips (x2) |
| 2. Front Cockpit Main Panel | 13. Ejection Seat Relay Box (x2) | 24. Right Canopy Frame |
| 3. Front Right Side Wall | 14. HUD Right Side | 25. Left Canopy Frame |
| 4. Front Left Side Wall | 15. HUD Left Side | 26. Right Climate Control Pipe |
| 5. Aft Cockpit Tub | 16. Front Cockpit Control Stick Base | 27. Left Climate Control Pipe |
| 6. Aft Cockpit Bottom Panel | 17. Front Cockpit Control Stick | 28. Front Canopy Frame |
| 7. Aft Instrument Assembly | 18. Aft Cockpit Radar Control Grip | Climate Control Pipe (x2) |
| 8. Aft Right Side Wall | 19. Flap Lever | 29. Climate Control Hose (x2) |
| 9. Aft Left Side Wall | 20. Crash Panel Emergency Handle | 30. Aft Cockpit Seat Rail |
| 10. Ejection Seat (x2) | 21. Swing Wing Control Grip | |
| 11. Ejection Seat PEC Unit (x2) | 22. Rudder Pedal (x4) | |



Item # AV32005 - page 2 of 2
Panavia TORNADO GR MkI (IDS)
 update set for Revell kit
 1/32 scale

Step 4

Martin Baker MB Mk10A EJECTION SEAT

RED LABEL
 BLACK LABEL
13
 LIGHT GRAY
 YELLOW Label
 Climate Control Hookup
 VERY LIGHT GRAY (almost WHITE)
 Some pictures show this part in BLACK

29
 BLACK or LIGHT ORANGE
 These climate control rubber hoses connect underneath the canopy sill and run through the seat headrest. Four are included for each side of both seats.
 They can be bend and shaped after putting them in hot water, which will make them soft enough to shape, or you can make them from scratch using copper wire.

Seat Color KIGHT KHAKI
 Warning Labels and Placards Top RED / Others BLACK
 Headrest LIGHT GRAY
 Climate Control Hookup VERY LIGHT GRAY (almost WHITE)
 Some pictures show this part in BLACK
 Hook up part 29 here and guide other end underneath canopy left canopy sill

Straps LIGHT BROWN
 Headrest Cushion BLACK LEATHER
 Back Cushion OLIVE DRAB or LIGHT KHAKI
 Buckles BLACK
 Straps LIGHT BROWN
 Rescue Handle YELLOW /BLACK
 Leg Straps WHITE
 Seat Cushion LIGHT KHAKI
 Seat Color LIGHT GRAY
 Rescue Kit YELLOW
 Leg Restraints ROYAL BLUE
 Leg Straps BLACK
 Leg Restraints ROYAL BLUE

Top part of Straps LIGHT GREEN
 Seat Color LIGHT GRAY
 Seat Pan LIGHT GRAY
 Add Oxygen Hose from scratch LIGHT GREEN
 Leg Straps WHITE

11
 Front Half part WHITE
 Rear Half part BLACK

12
 BLACK /top part WHITE

Aluminum Straps

10
 Rescue Kit YELLOW

Step 5

Kit part

24
 BLACK
 COCKPIT GRAY

25
 COCKPIT GRAY

26
 BLACK

27
 BLACK

28
 BLACK