

Spitfire Mk. I

E-Z SNAPZ!
SNAP TOGETHER MODEL

PEGASUS
HOBBIES



... 8410

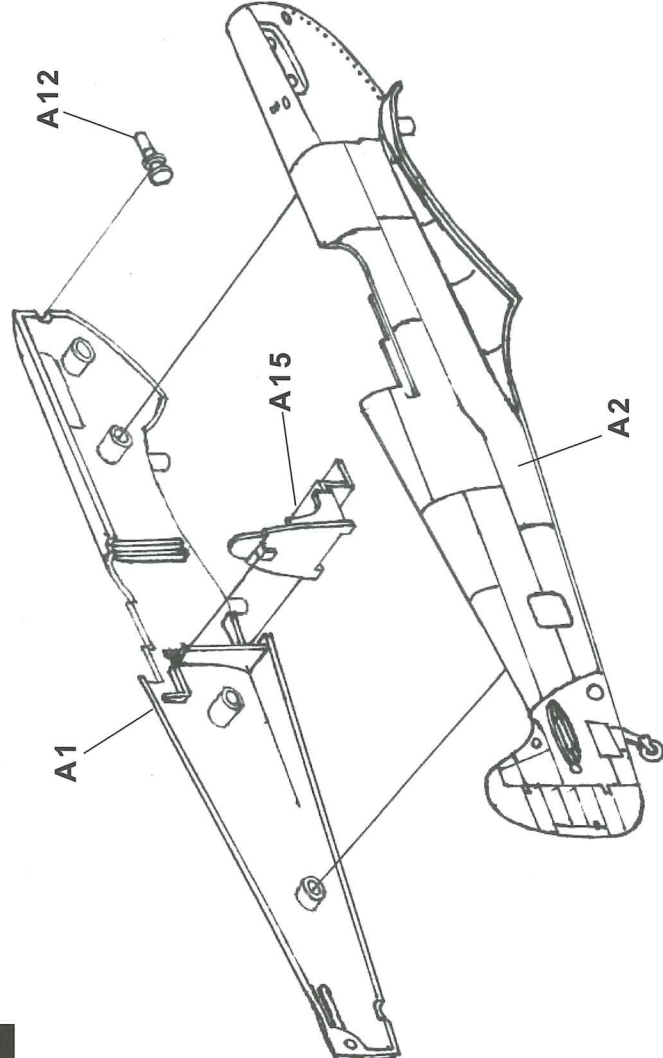
THE MILITARY MUSEUM COLLECTION

The Supermarine Spitfire is one of the most famous aircraft from World War Two, and one of the most important as well! Starting service in 1938, various models of the Spitfire served throughout the end of the war in 1945 and continued on until 1954! Our model that you have is the Mark I Spitfire, which served in the Battle of Britain as Britain's best fighter. Only limited numbers of them were available during this fierce air battle, and they did their duty! The height of the battle was August 13th, 1940, known by the name of "Eagle Day", and fighting continued uninterrupted up until October 31st!

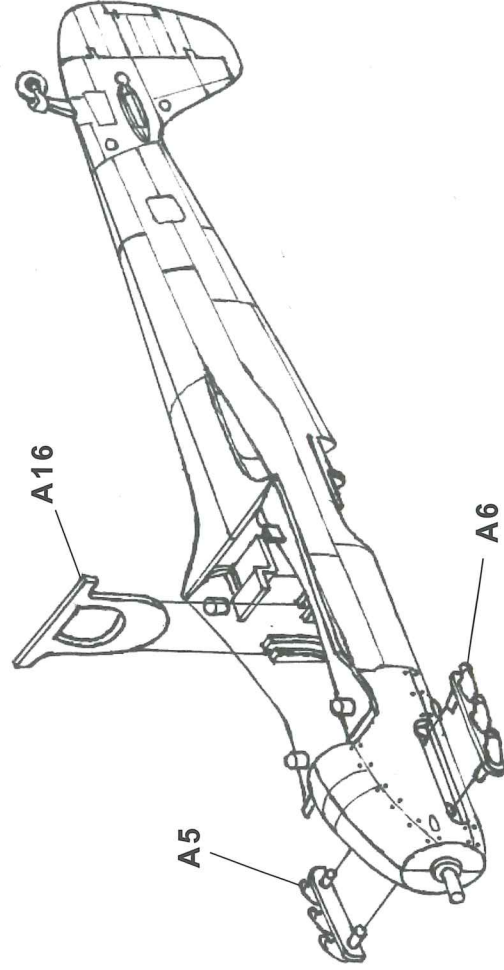
Living in this maelstrom of conflict was Flight Lieutenant Eric Lock. He flew with No. 41 Squadron, one of just 19 squadrons that were equipped with the Spitfire at the beginning of the Battle of Britain. He became the top scoring British Ace for the battle by scoring an amazing 16 confirmed victories during that fight! His final victory score stood at 23. He was wounded twice, had to bail three times, and was awarded the Distinguished Flying Cross twice, as well as the Distinguished Service Order! Sadly, he was killed later in the war, on August 3rd, 1941 while on a fighter sweep over France.

This kit is part of the exciting range of E-Z Snapz kits from Pegasus Hobbies. It is designed to be together by the first time modeler of almost any age, and still have excellent detail to the level that even professional modelers will be impressed with. Truly, a kit for all ages, regardless of what your skill is. Both decals and stickers are included for markings, so no one will be left out! Look for more exciting kits coming in this range. Build an entire fleet of planes the E-Z Snapz way from Pegasus Hobbies!

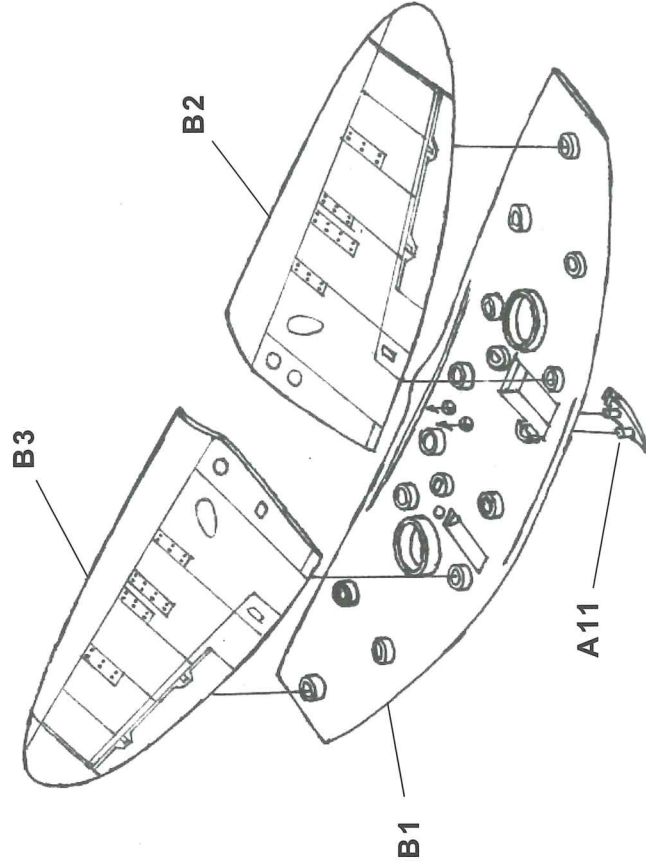
Fuselage assembly



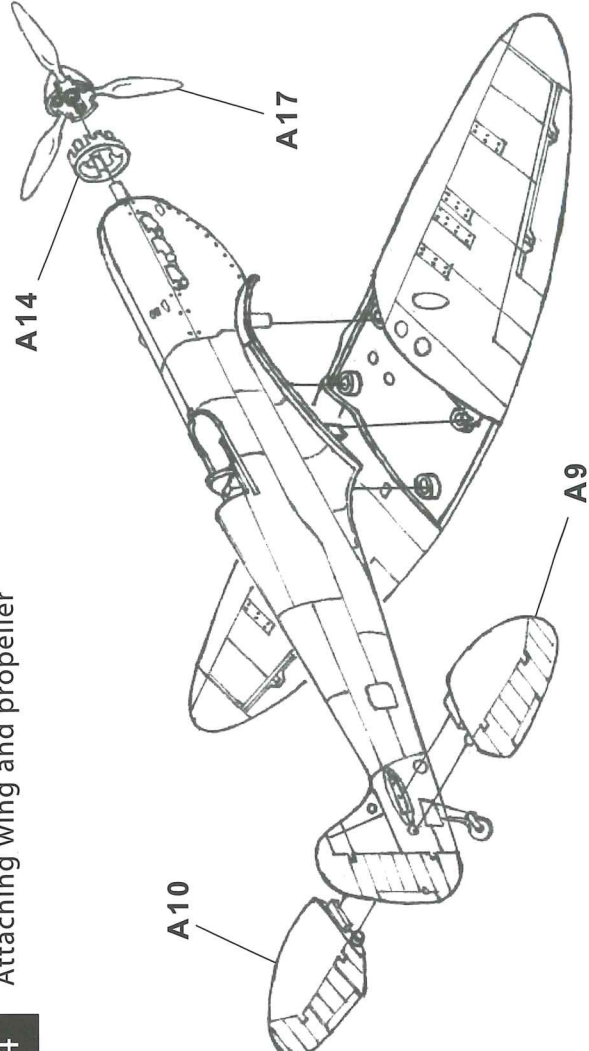
Instrument panel and exhaust assembly



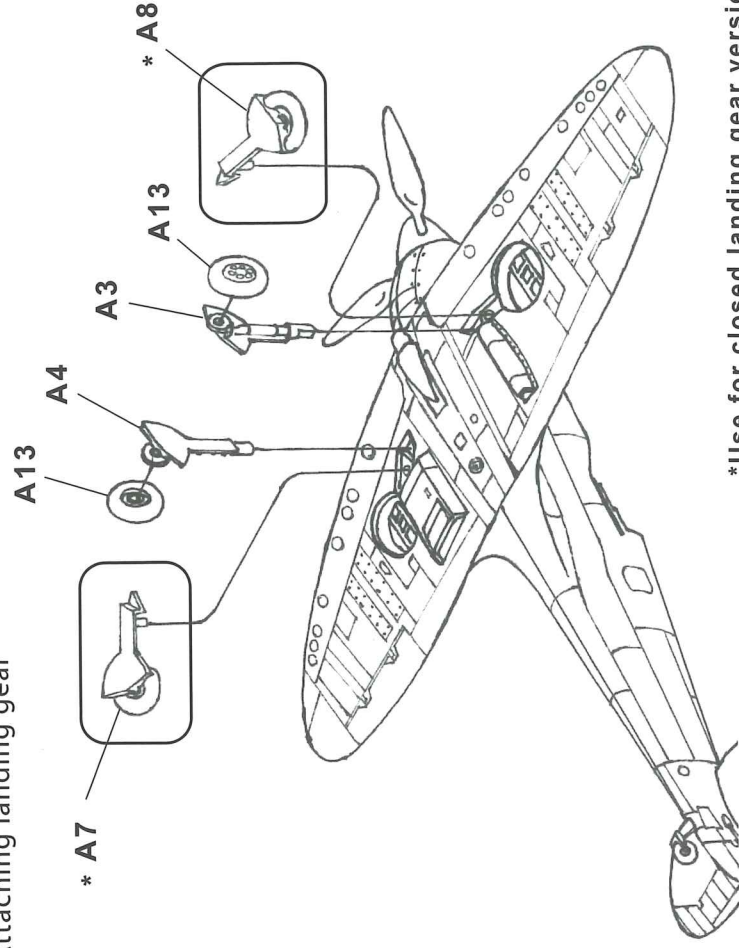
3 Wing assembly



4 Attaching wing and propeller

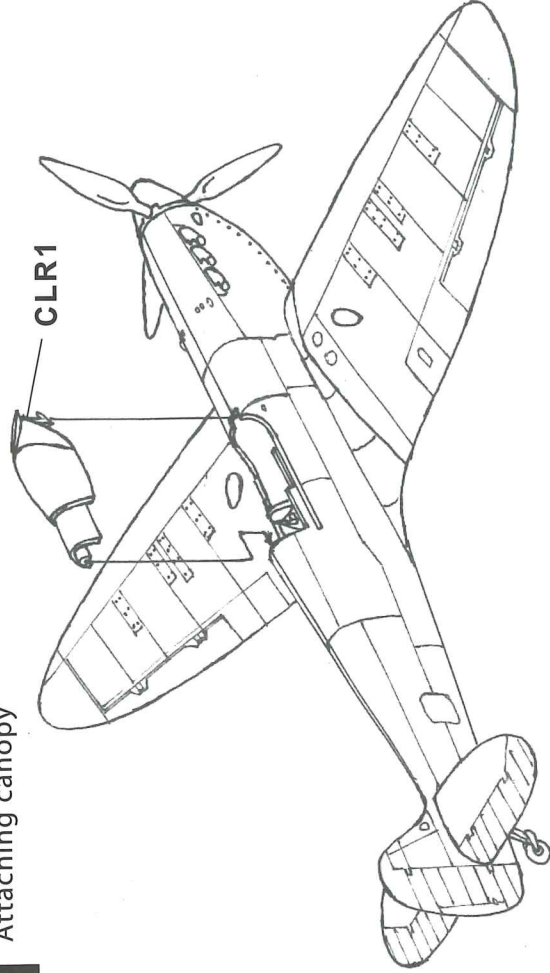


5 Attaching landing gear



*Use for closed landing gear version

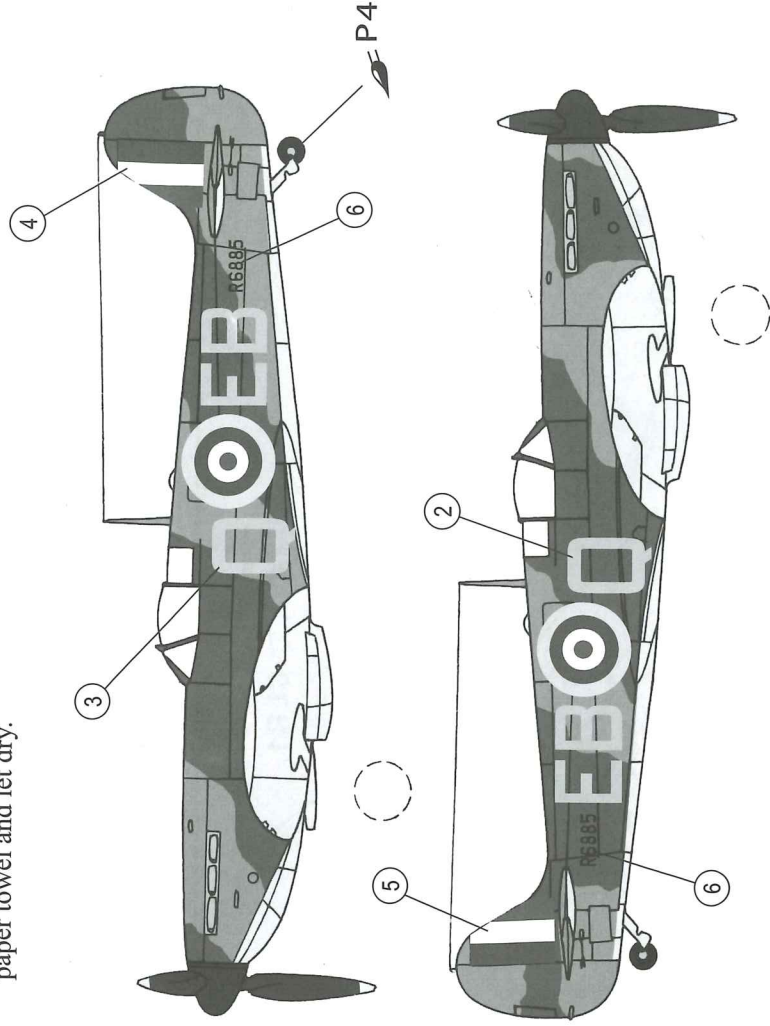
5 Attaching canopy



DECAL & PAINTING GUIDE

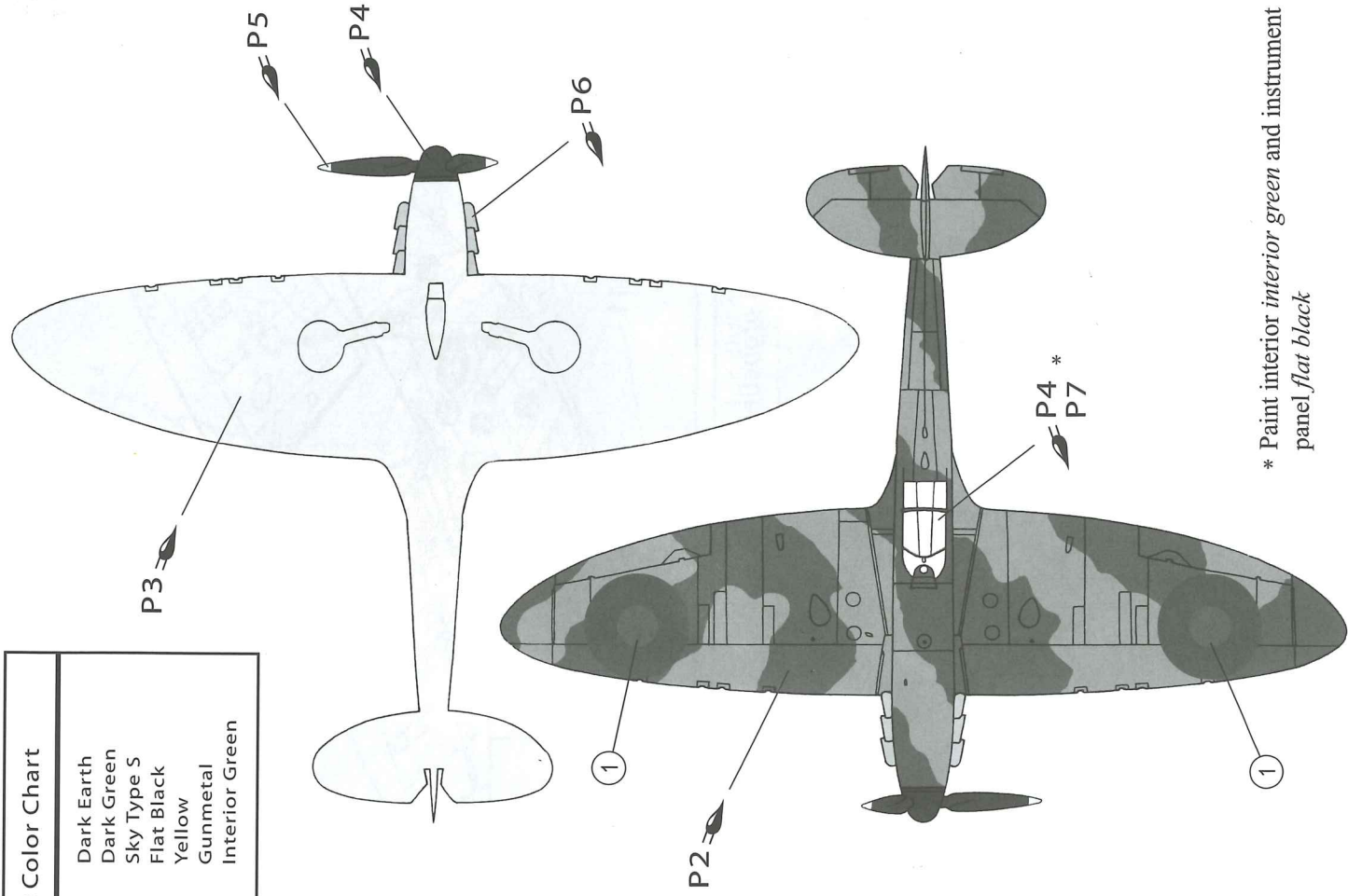
To get a really nice finish, make sure you use quality hobby paints and brushes. Take good care of your brushes and clean them well after every time you use them and they will last long time. Before you paint, be sure to lay down some newspaper in the area you plan on working. Paint the interior first, before the fuselage halves are put together. Then paint the fuselage after assembly is completed. Paint the landing gear separately from the fuselage, and leave them off when painting the fuselage. After the paint has dried completely, put on the decals or stickers.

1. Cut each design out separately, only when you are ready for that one.
2. Take a paper towel and fold in half twice.
3. Dip the decal in a dish of water for only 10 seconds, and then put it on the paper towel, design side up.
4. Wait until the design moves freely around on the paper. Only touch it with a wet finger tip!
5. Slide the design from the paper onto the model and blot the excess water away with a paper towel and let dry.



Paint Color Chart

P1	Dark Earth
P2	Dark Green
P3	Sky Type S
P4	Flat Black
P5	Yellow
P6	Gunmetal
P7	Interior Green



* Paint interior *interior green* and instrument panel *flat black*