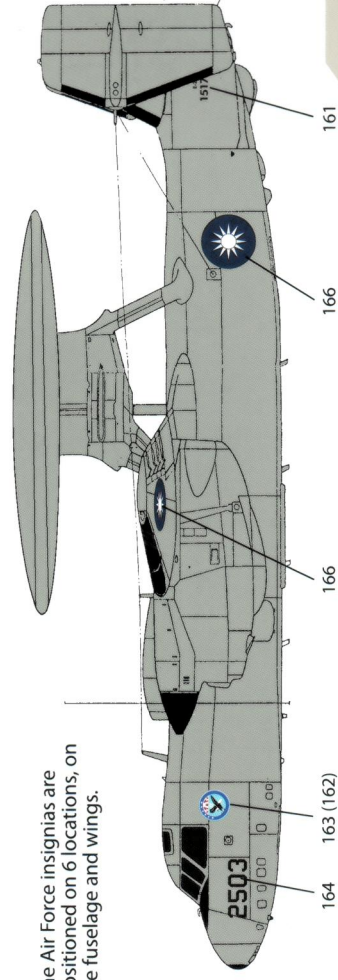
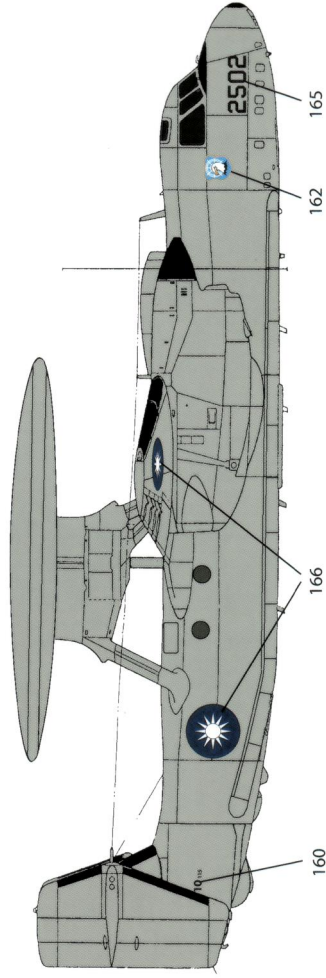
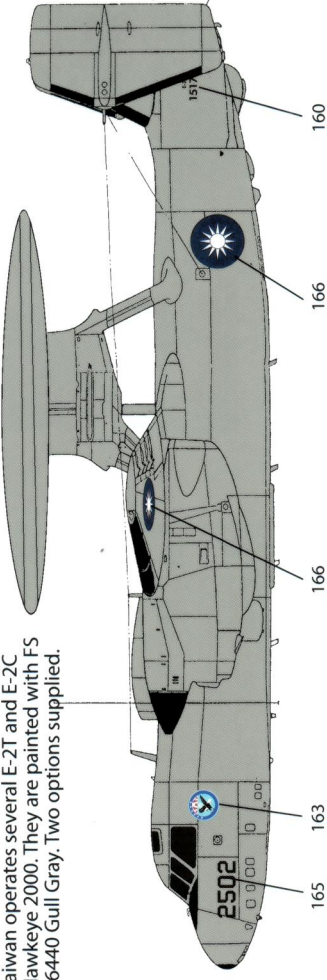


Republic of China (Taiwan)

Taiwan operates several E-2T and E-2C Hawkeye 2000. They are painted with FS 16440 Gull Gray. Two options supplied.



The Air Force insignias are positioned on 6 locations, on the fuselage and wings.

Note that the radar frame is not painted in black.

Worldwide

E-2C Hawkeye

For the Hasegawa, Fujimi and Heller kits



IsraDecal

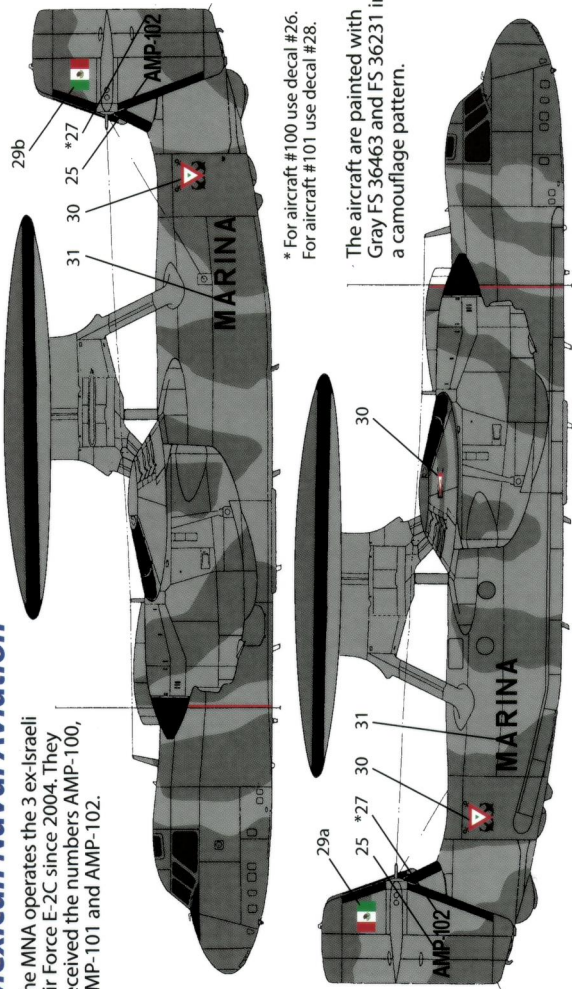
THE COMPLETE SCALE MODELLING EXPERIENCE

IsraDecal
STUDIO

IsraDecal
STUDIO

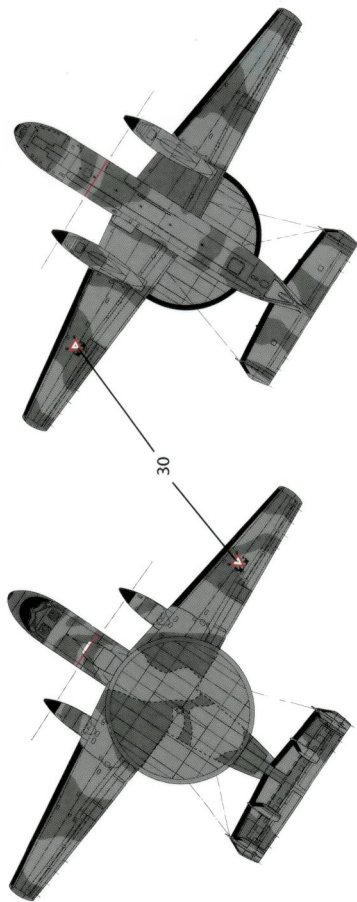
Mexican Naval Aviation

The MNA operates the 3 ex-Israeli Air Force E-2C since 2004. They received the numbers AMP-100, AMP-101 and AMP-102.



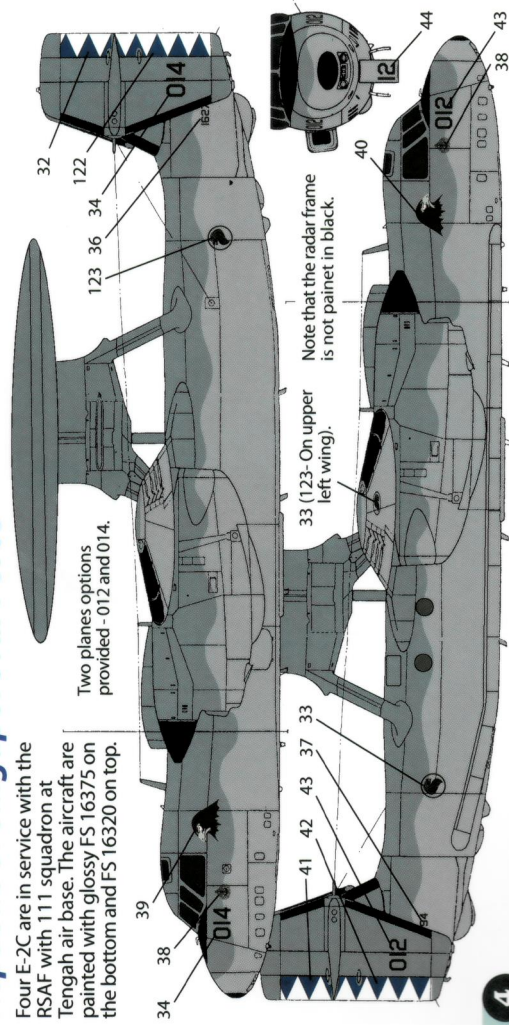
* For aircraft #100 use decal #26.
For aircraft #101 use decal #28.

The aircraft are painted with Gray FS 36463 and FS 36231 in a camouflage pattern.



Republic of Singapore Air Force

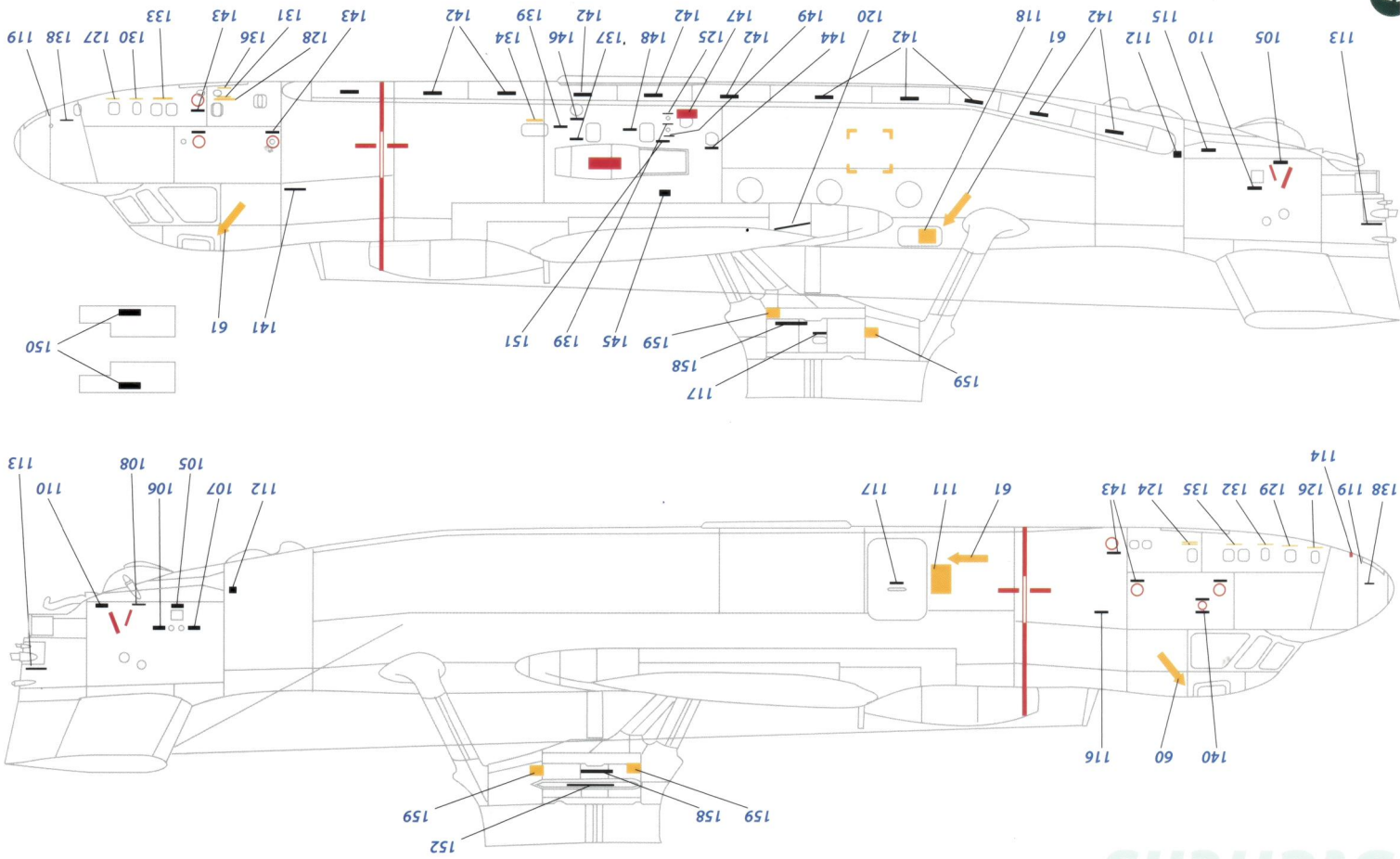
Four E-2C are in service with the RSAF with 111 squadron at Tengah air base. The aircraft are painted with glossy FS 16375 on the bottom and FS 16320 on top.



Two planes options provided - 012 and 014.

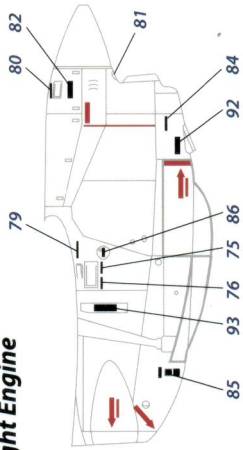
Note that the radar frame is not painted in black.

33 (123-On upper left wing).

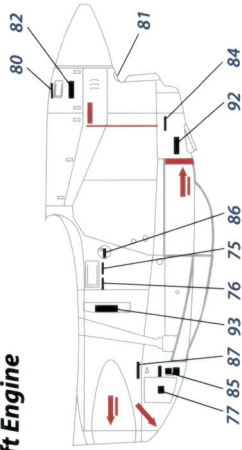


Stencils

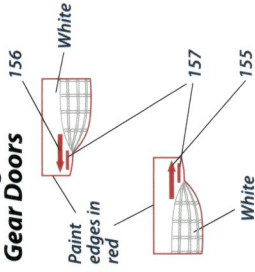
Right Engine



Left Engine



Inside Main Landing Gear Doors



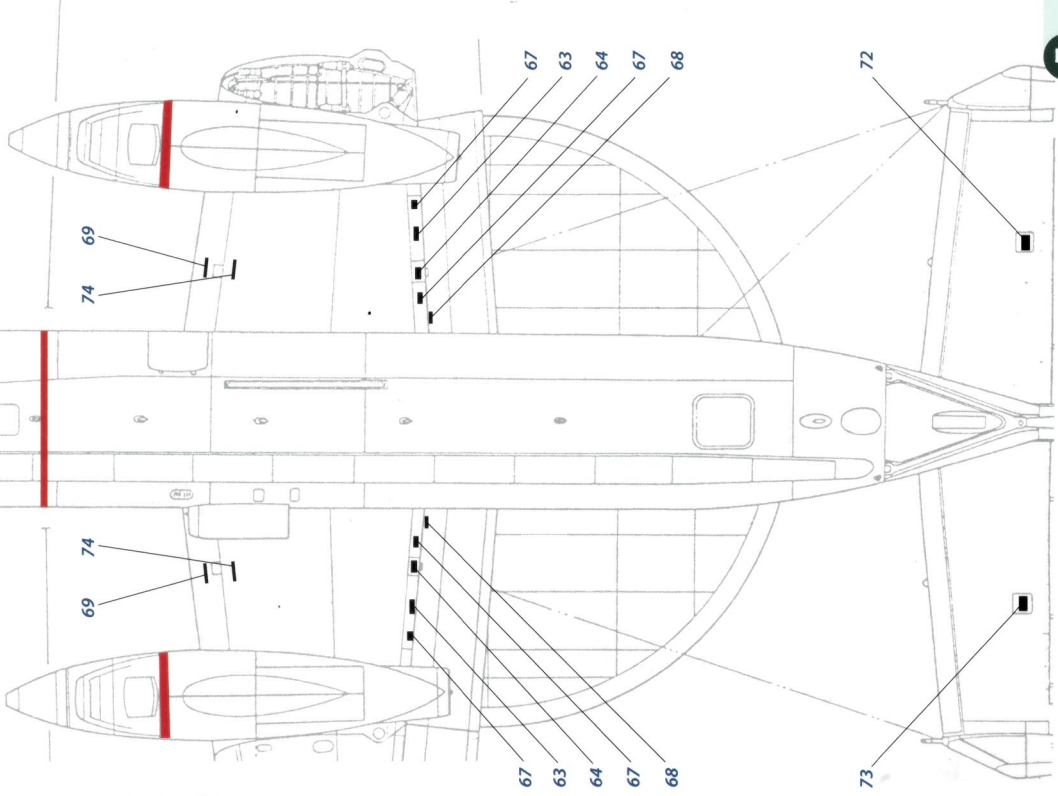
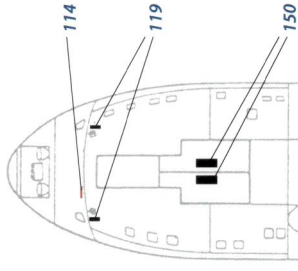
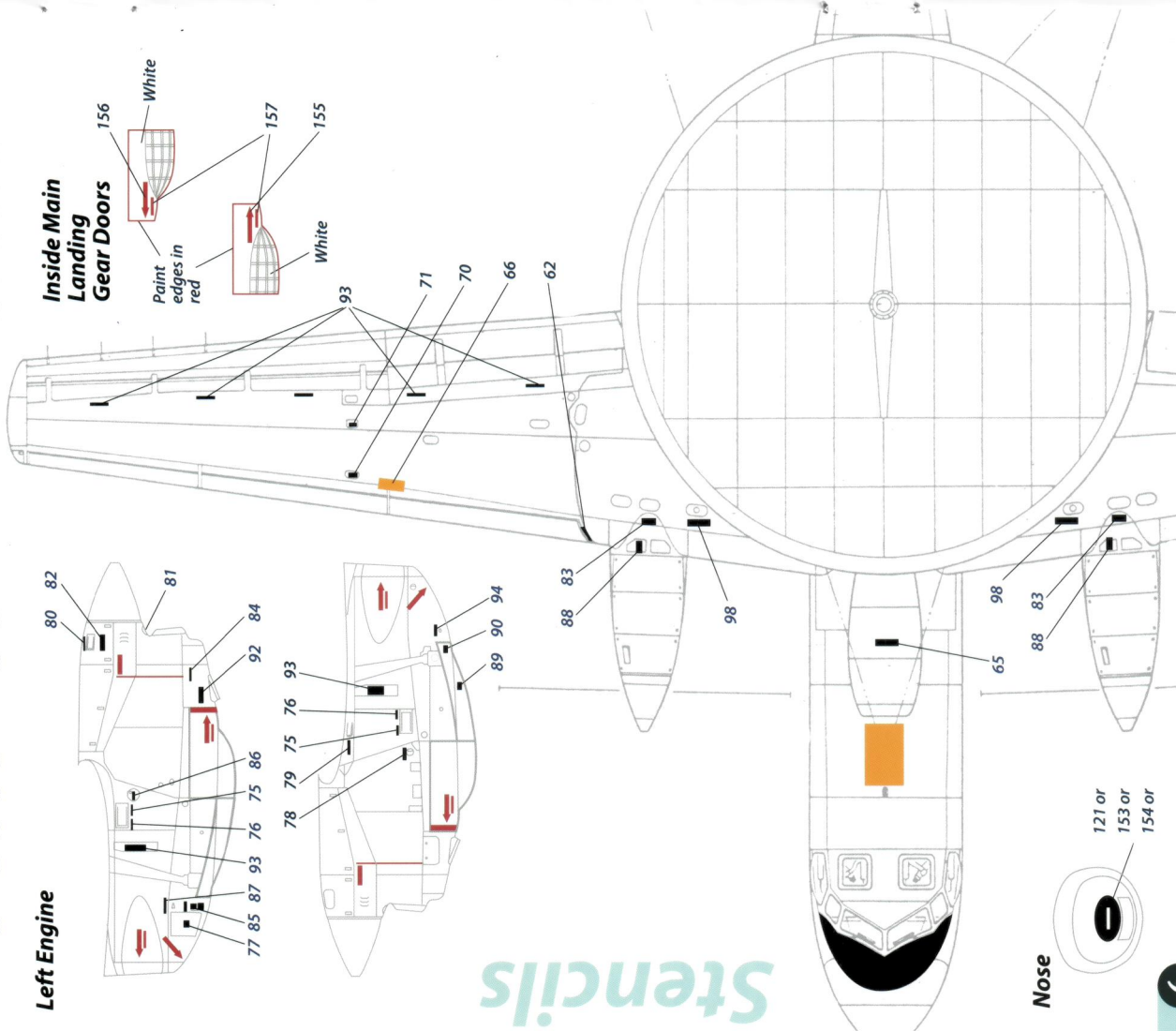
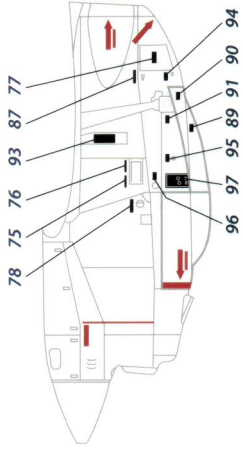
Propeller Blades



103 - also on back side

103 - also on back side

Back Side



Stencils

Stencils

Nose

