

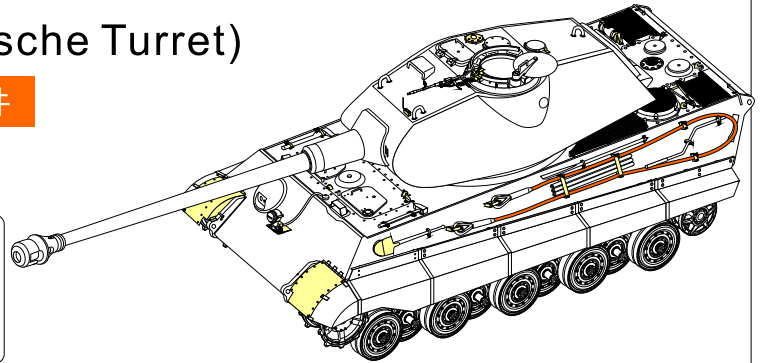
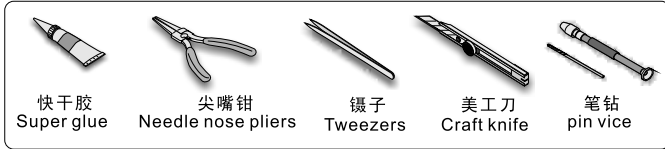
1/35 MILITARY MINIATURE VEHICLE UPGRADE SERIES PE35956

WWII German King Tiger (Porsche Turret)

二战德军虎王坦克（保时捷炮塔）改造件

[For MENG TS-037]

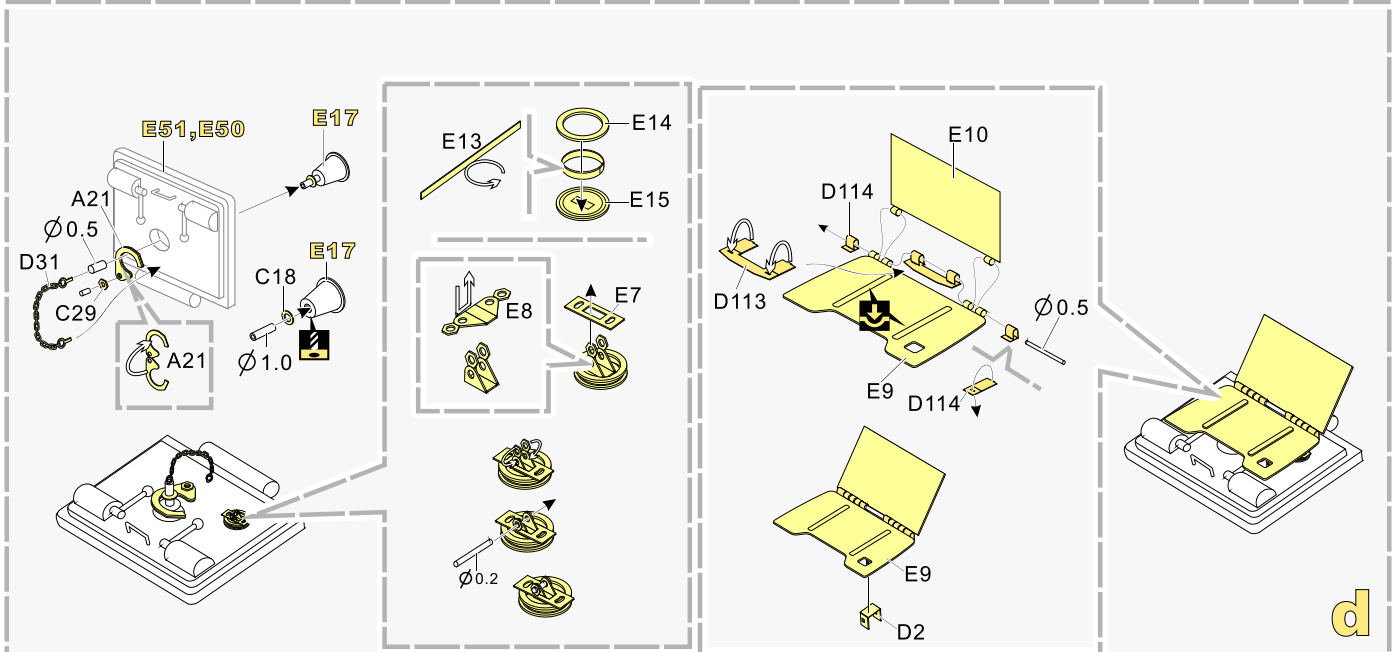
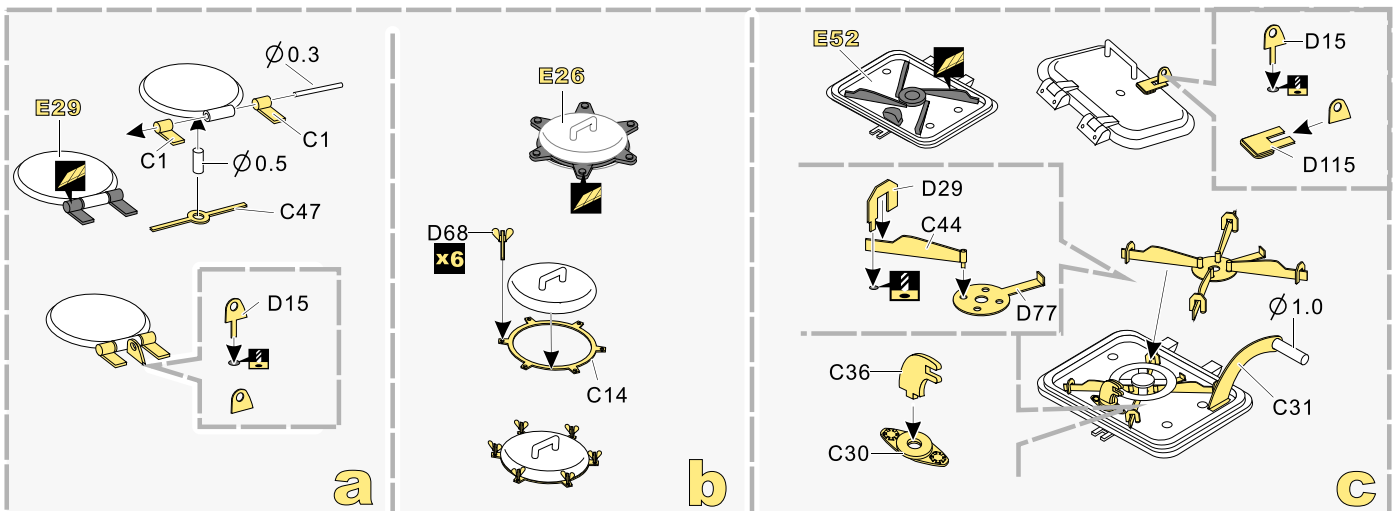
推荐使用工具 RECOMMENDED TOOLS



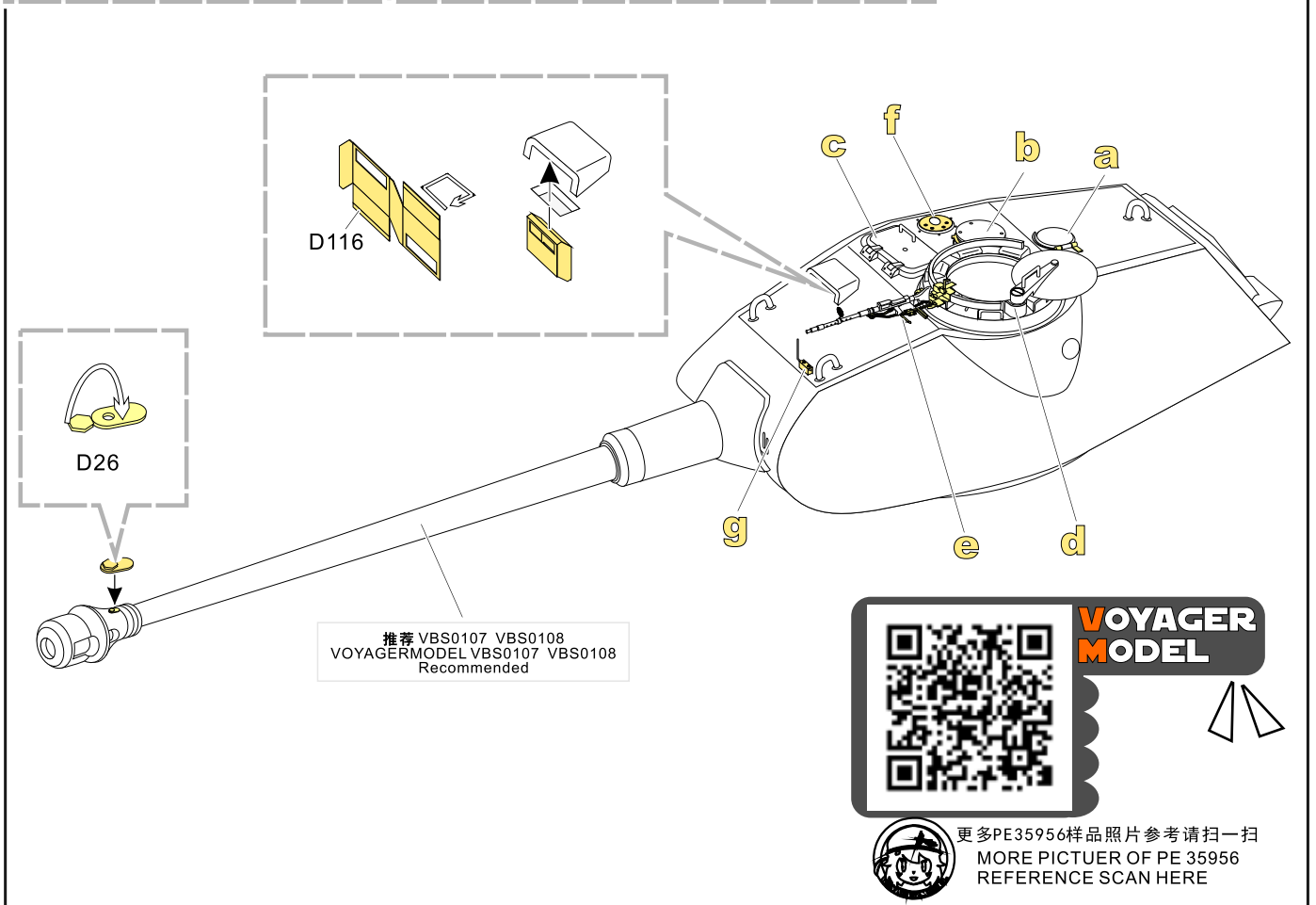
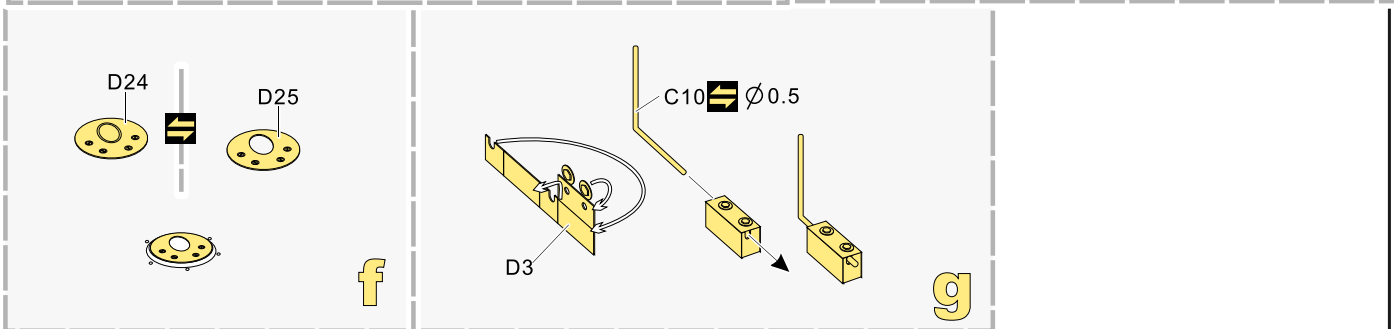
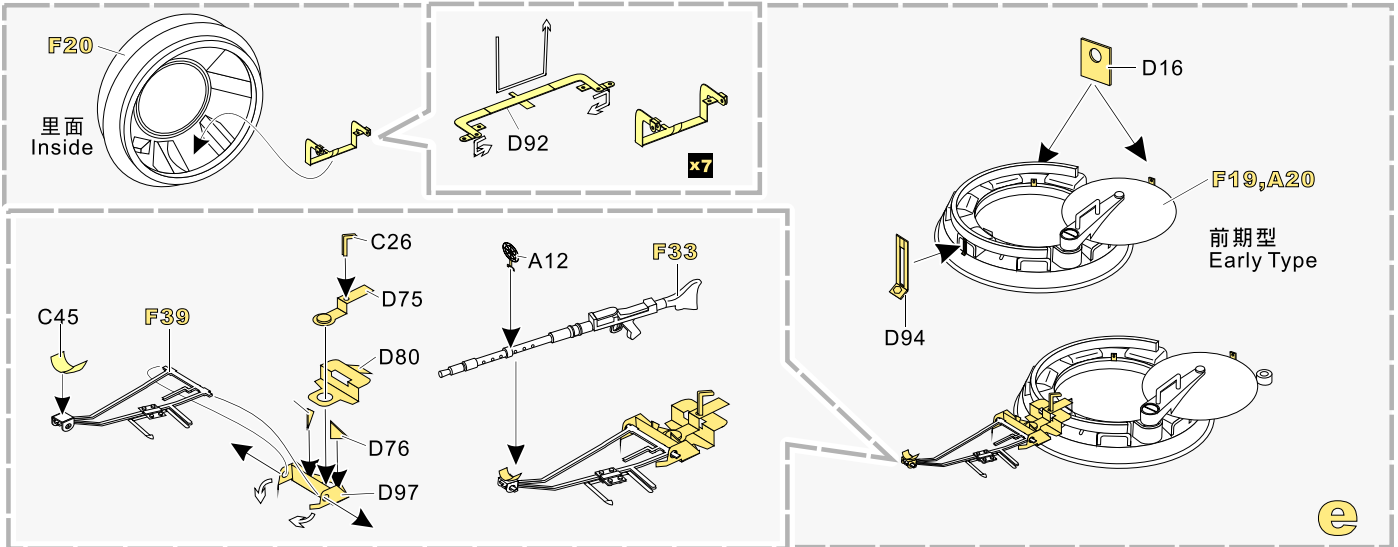
- ↑
安装
install
- ↩
折叠
bend
- A1**
改造件零件编号
PE/resin part number
- B12**
原零件编号
kit part number
- C22**
被替换的原零件编号
replaced kit part number
- 弧度卷曲
radial bending
- 钻孔
drill
- 注意
caution
- 切除
remove
- x2**
制作若干组
multiple assembly
- 填补
fill
- 选择安装
alternative
- 另一侧相同制作
repeat on opposite side
- 打磨
grind off

用尖端在凹槽处冲压
use penpoint to press on the dent

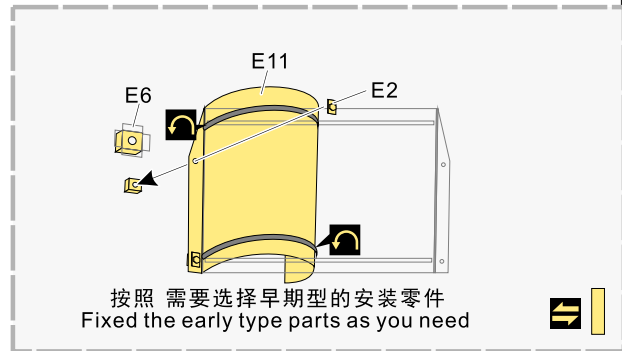
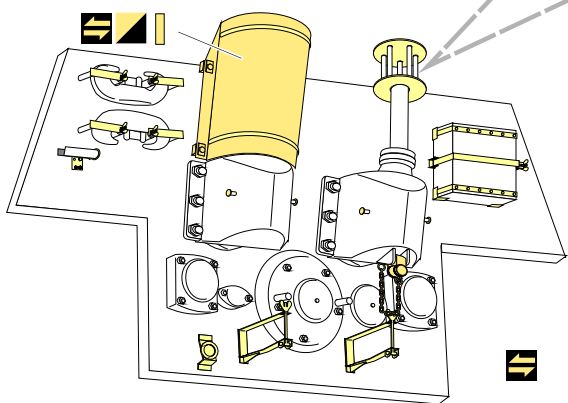
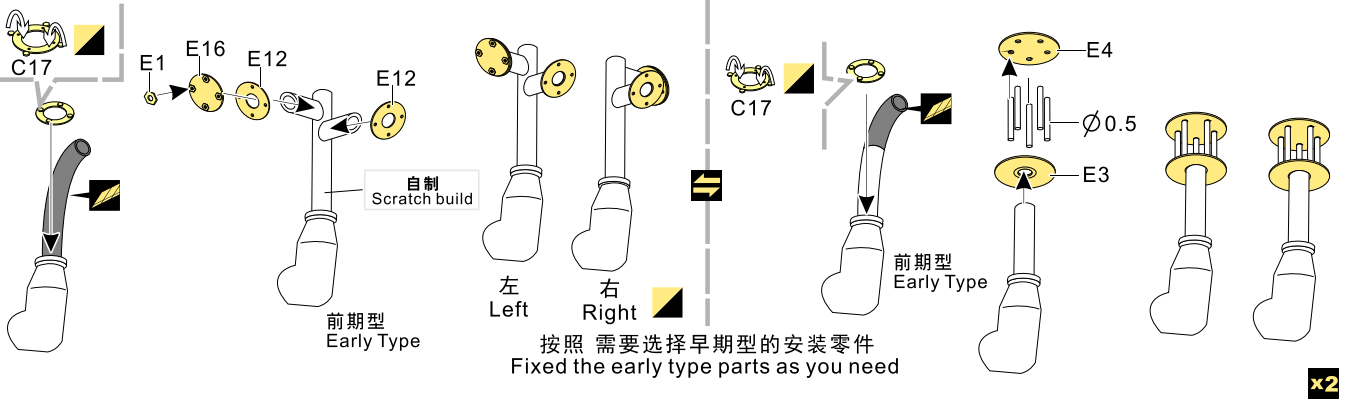
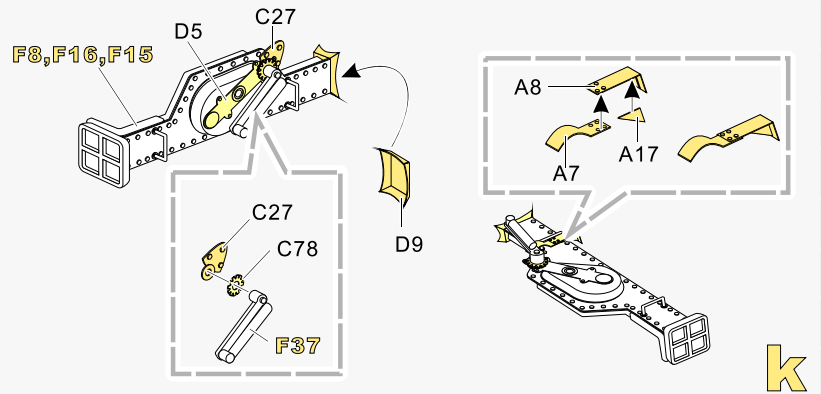
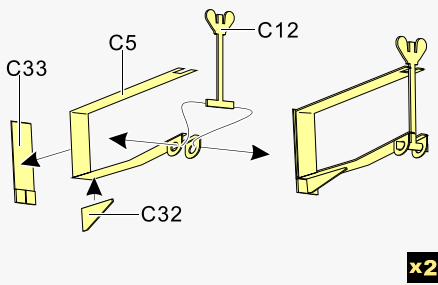
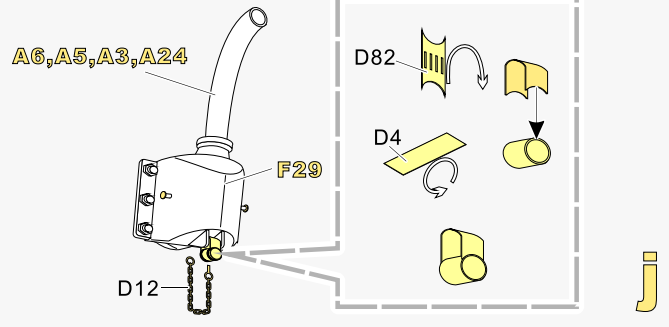
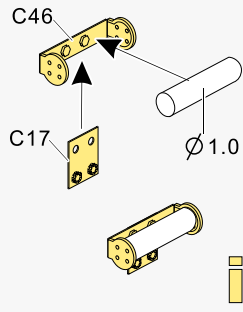
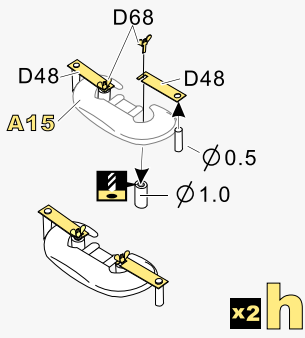
蚀刻片零件内面向上
Put the part upside down
用笔尖在凹槽处刮
Use penpoint to press on the dent



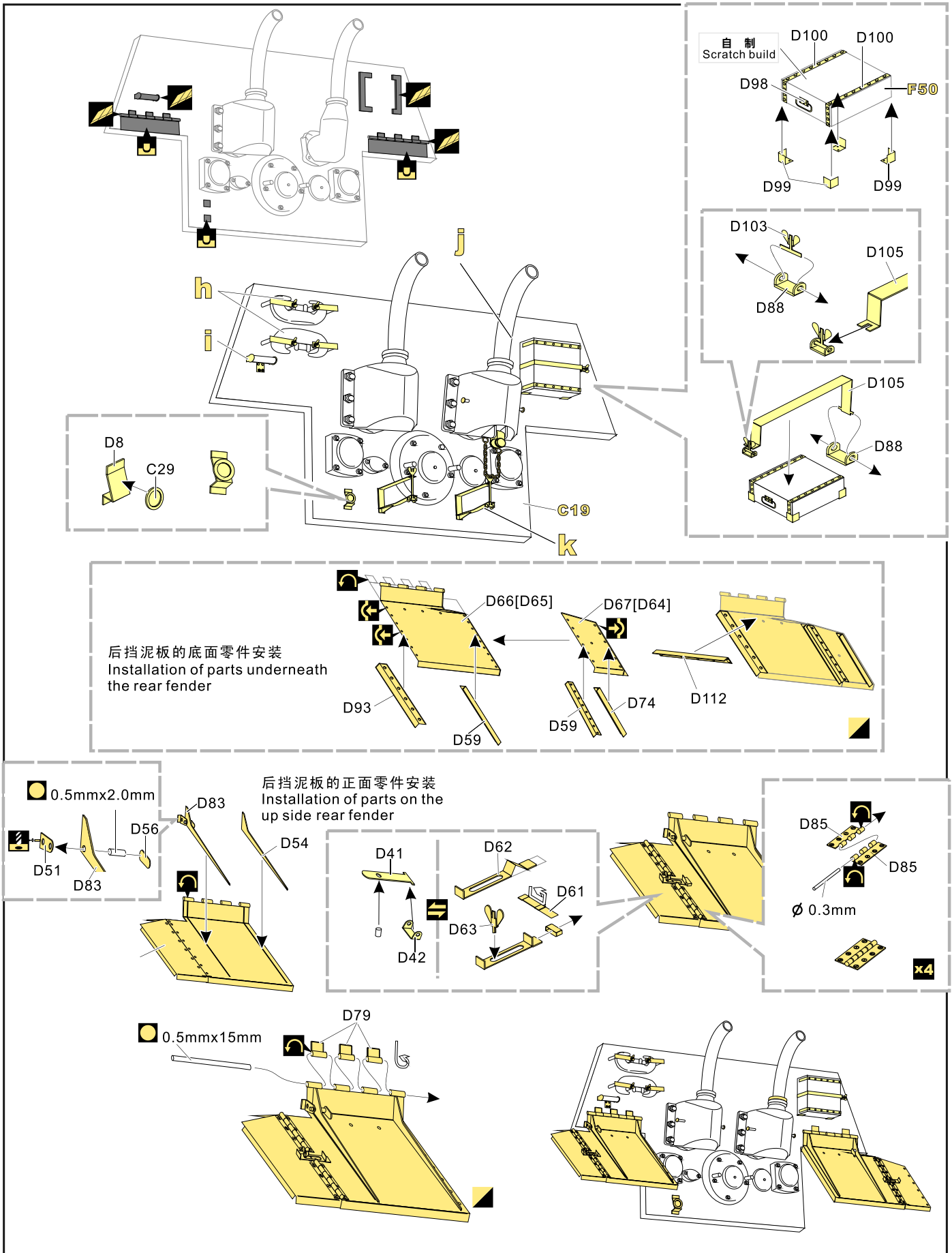
1/35 MILITARY MINIATURE VEHICLE UPGRADE SERIES PE35956



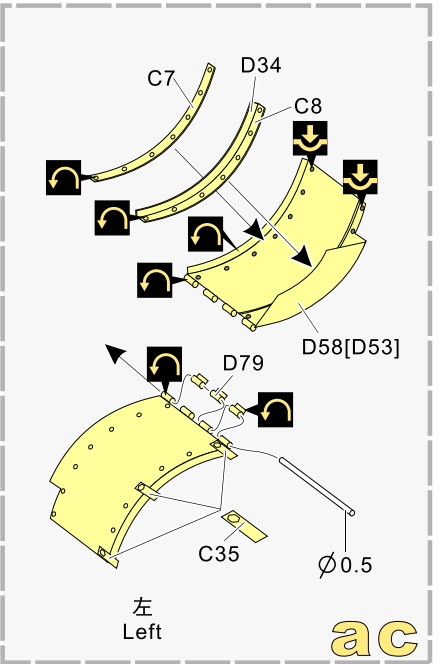
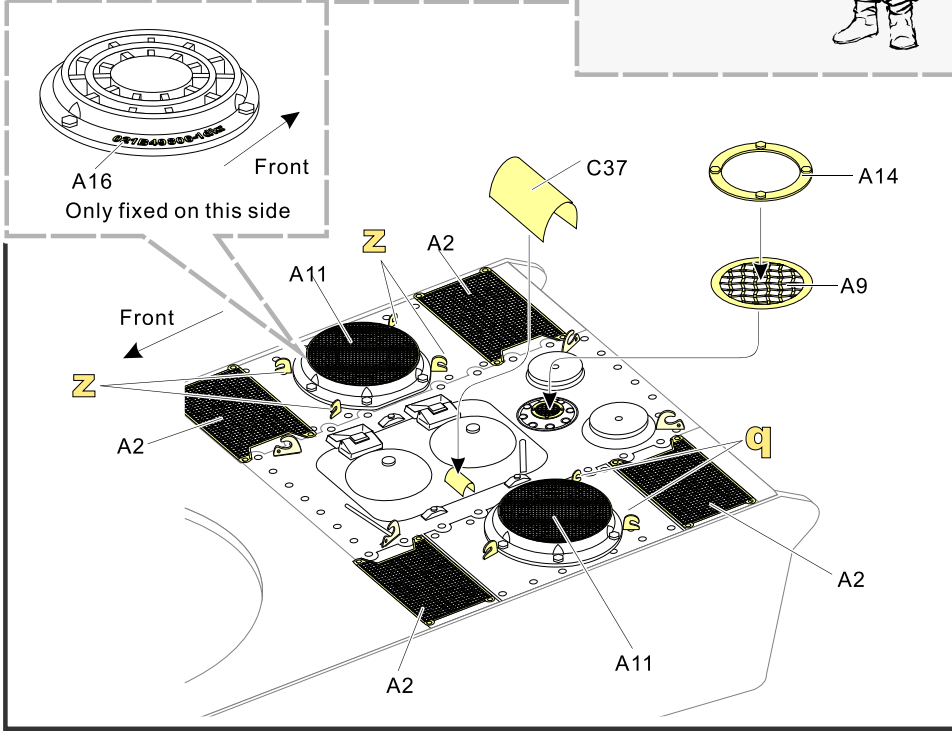
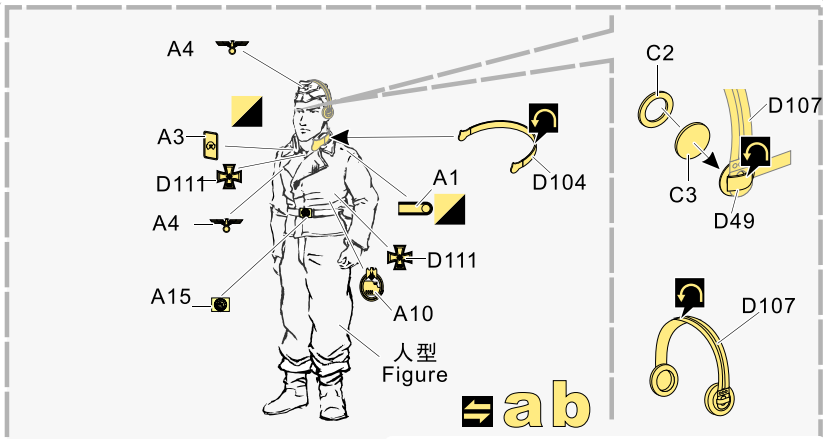
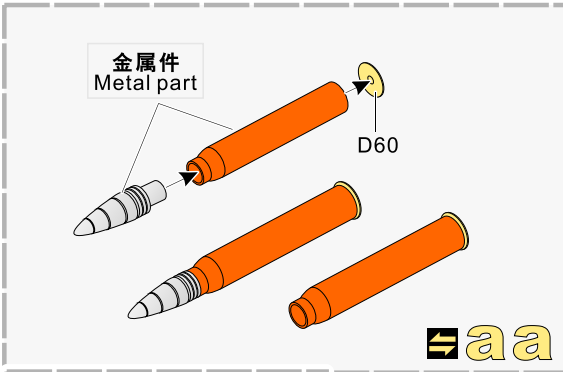
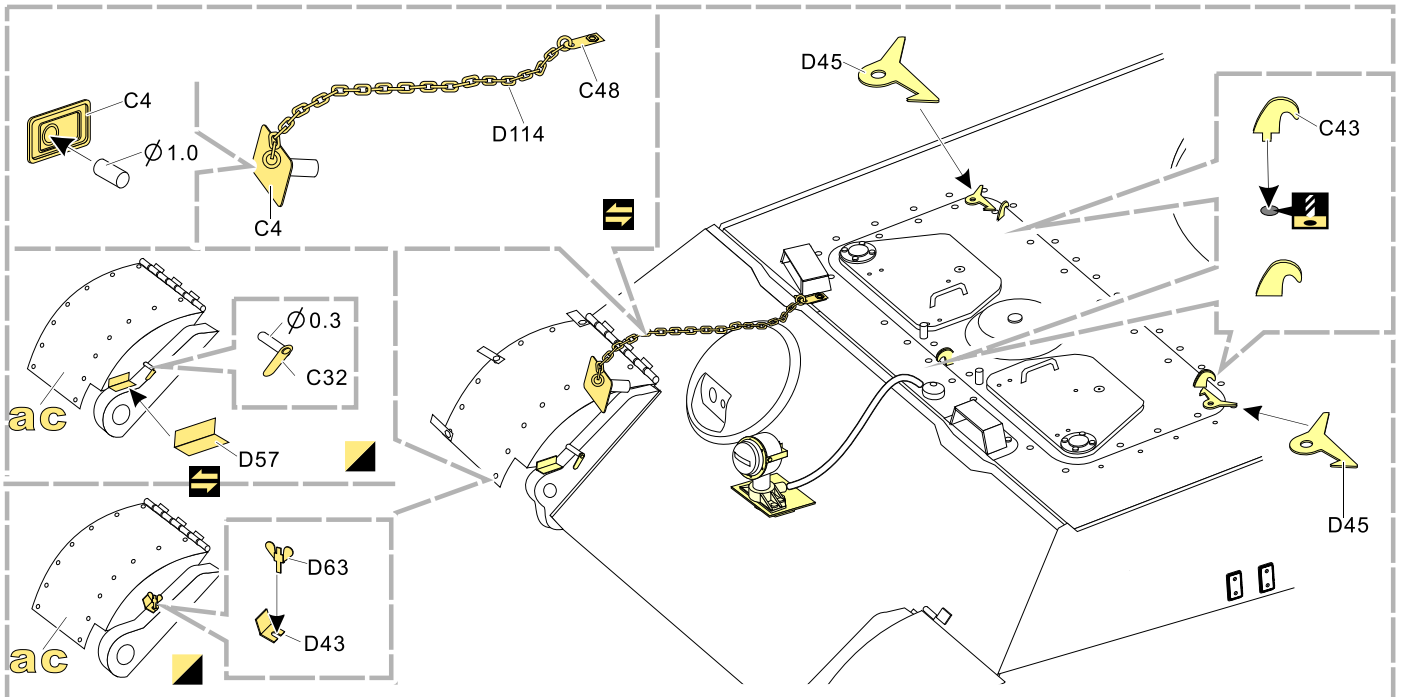
1/35 MILITARY MINIATURE VEHICLE UPGRADE SERIES PE35956



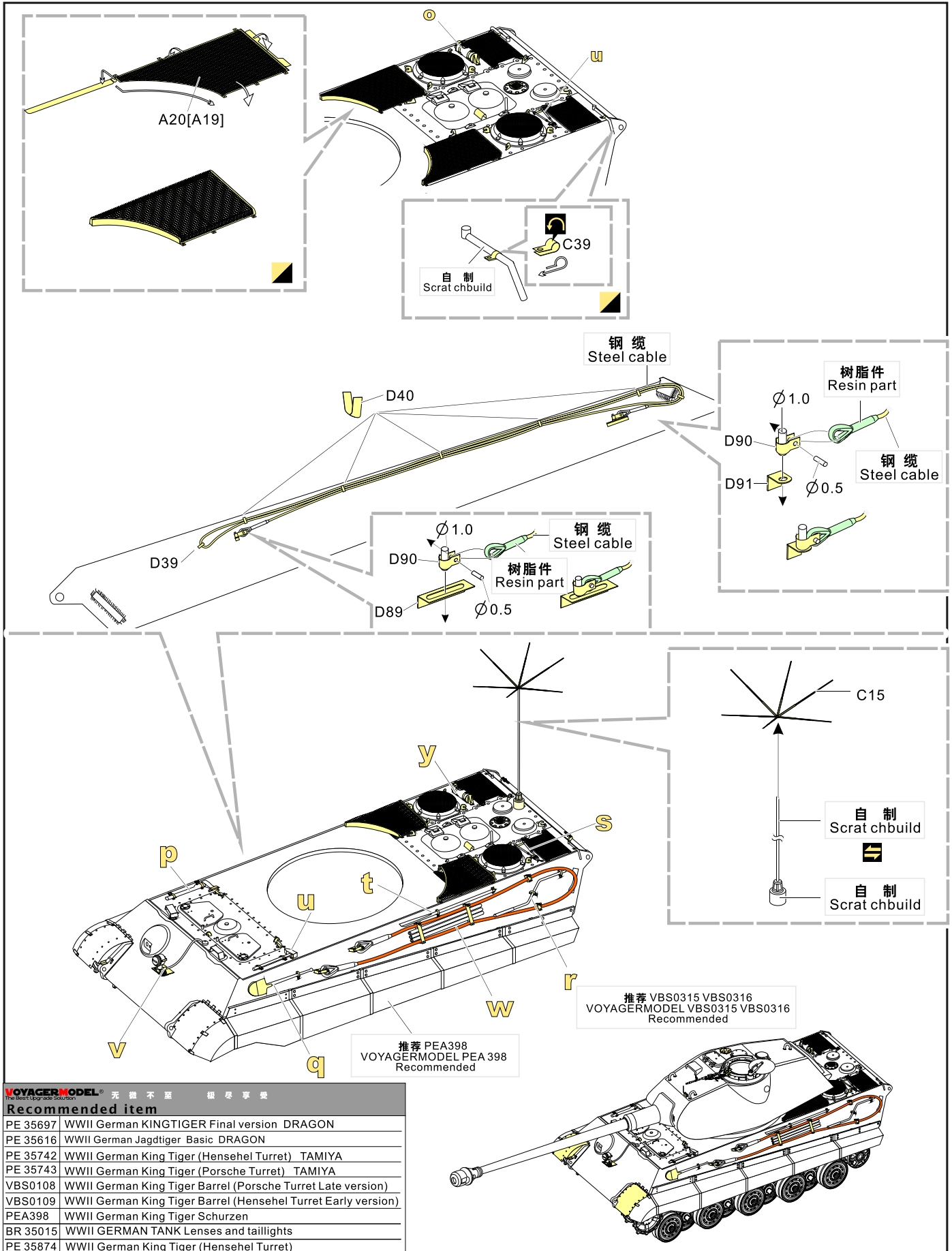
1/35 MILITARY MINIATURE VEHICLE UPGRADE SERIES PE35956



1/35 MILITARY MINIATURE VEHICLE UPGRADE SERIES PE35956



1/35 MILITARY MINIATURE VEHICLE UPGRADE SERIES PE35956



VOYAGERMODEL® 无微不至 极致享受

Recommended item

PE 35697	WWII German KINGTIGER Final version DRAGON
PE 35616	WWII German Jagdtiger Basic DRAGON
PE 35742	WWII German King Tiger (Hensehel Turret) TAMIYA
PE 35743	WWII German King Tiger (Porsche Turret) TAMIYA
VBS0108	WWII German King Tiger Barrel (Porsche Turret Late version)
VBS0109	WWII German King Tiger Barrel (Hensehel Turret Early version)
PEA398	WWII German King Tiger Schurzen
BR 35015	WWII GERMAN TANK Lenses and taillights
PE 35874	WWII German King Tiger (Hensehel Turret)