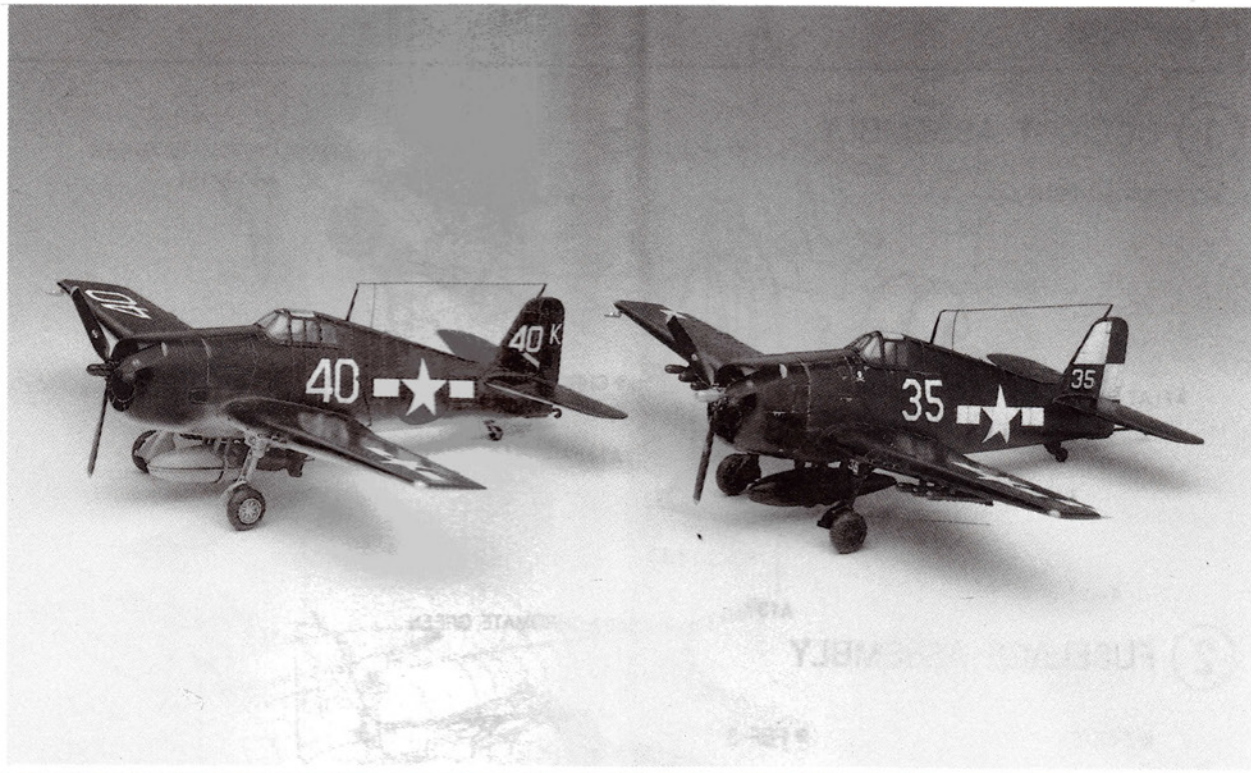


F6F-3/5 HELLCAT

ACADEMY

HOBBY MODEL KITS



1/72nd SCALE

Of the 6,477 Japanese aircraft shot down by US Navy pilots in World War II, 5,156 were accounted for by the F6F Hellcat. Prior to its operational debut in 1943, the Navy Wildcats often were no match for the nimble Japanese Zero-Sen. The Hellcat, with its speed, armor and heavy armament changed all that, becoming the dominant fighter of the era.

A total of 12,275 Hellcats of all varieties were manufactured before production ceased in August 1945, Used in reserve squadrons for many years after 1945, the Hellcats even served in the Korean War as remote-controlled flying bombs against North Korean ground targets.

The F6F-5 Hellcat, produced in larger numbers than any other variant had a wingspan of 13.05 meters, a length of 10.23 meters and a height of 3.99 meters. Its maximum speed was 380 mph at 23,400 feet; landing speed was 88 mph. The F6F was armed with six .50 cal machine guns or four 20mm cannon. Two 1,000 pound bombs could be carried under the wings.

2121



Cement Parts
Coller
Kleben
Pegar
Incollare
Colar
Kleven



DO NOT cement
Ne pas coller
Nicht kleben
No pegar
Non incollare
Nao colar
Niet kleven



Cut away
Couper
scheiden
Cortar
Tagliare
Cortar
Snijpen



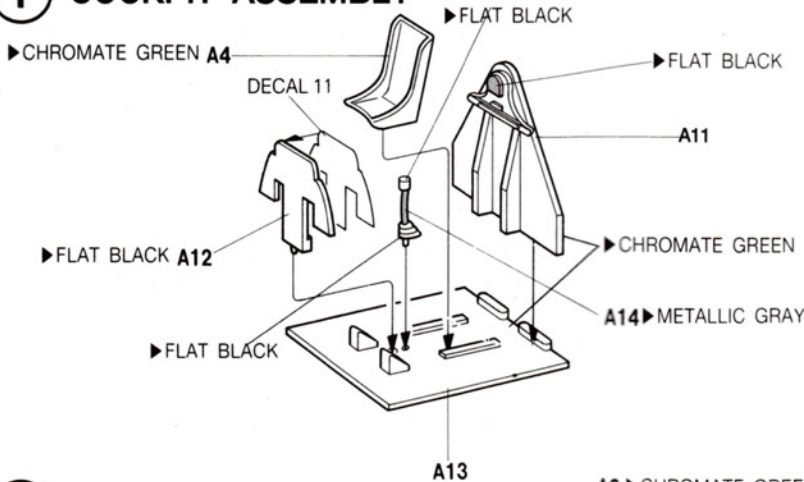
Optional parts
Choix
Auswahlmöglichkeit
Eleccion
Scelta
Opcao
Keuze



3

Repeat operation
Répéter l'opération
Vorgang wiederholen
Repetir la operación
Repitete
Repita a operação
Herhalen

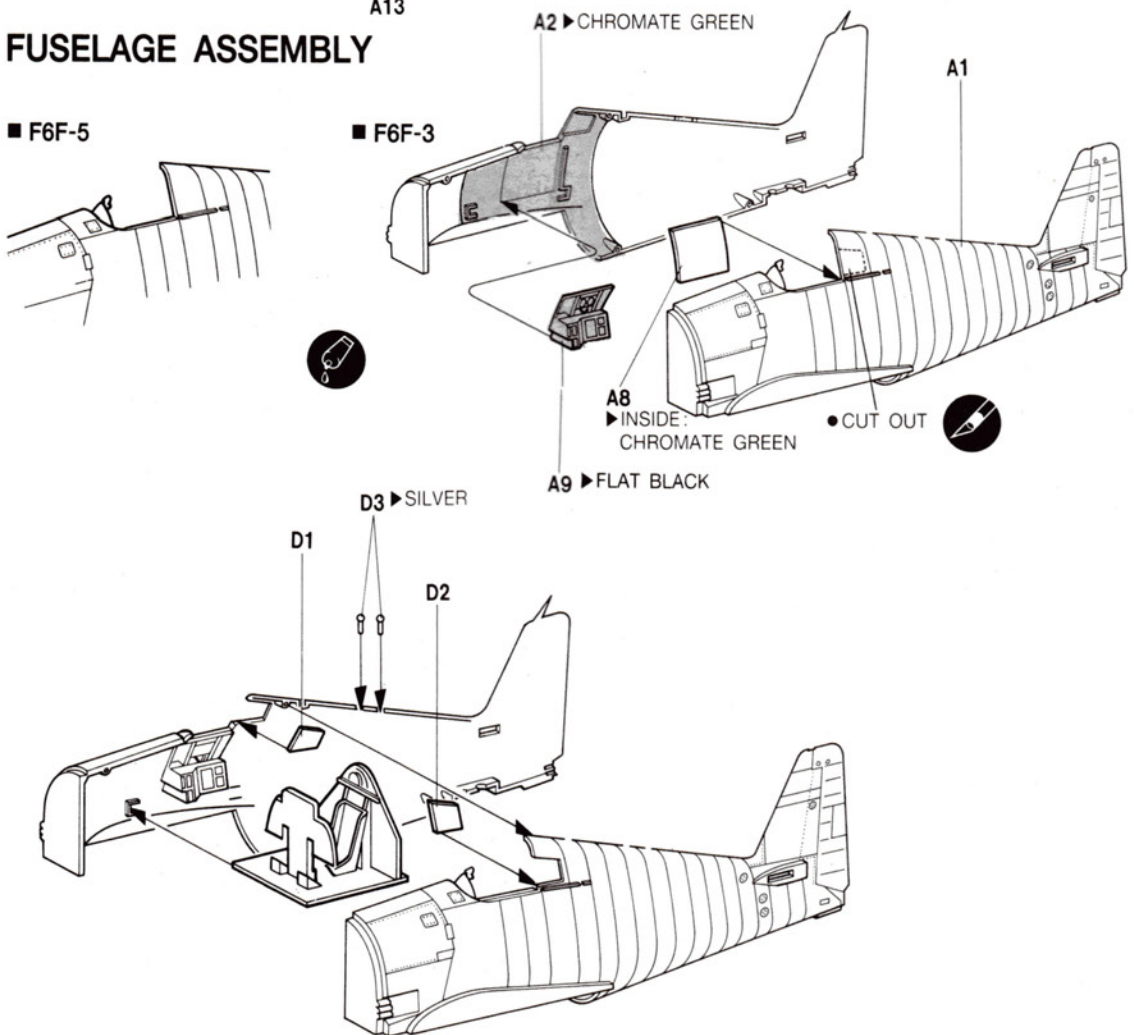
1 COCKPIT ASSEMBLY



※ INTERIOR: CHROMATE GREEN
FS 34151



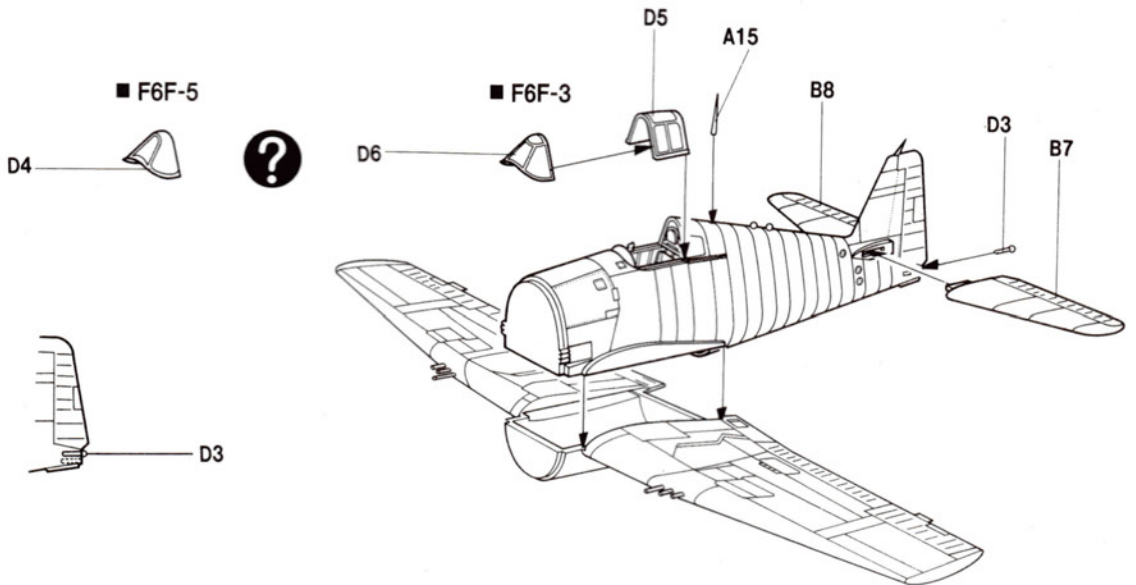
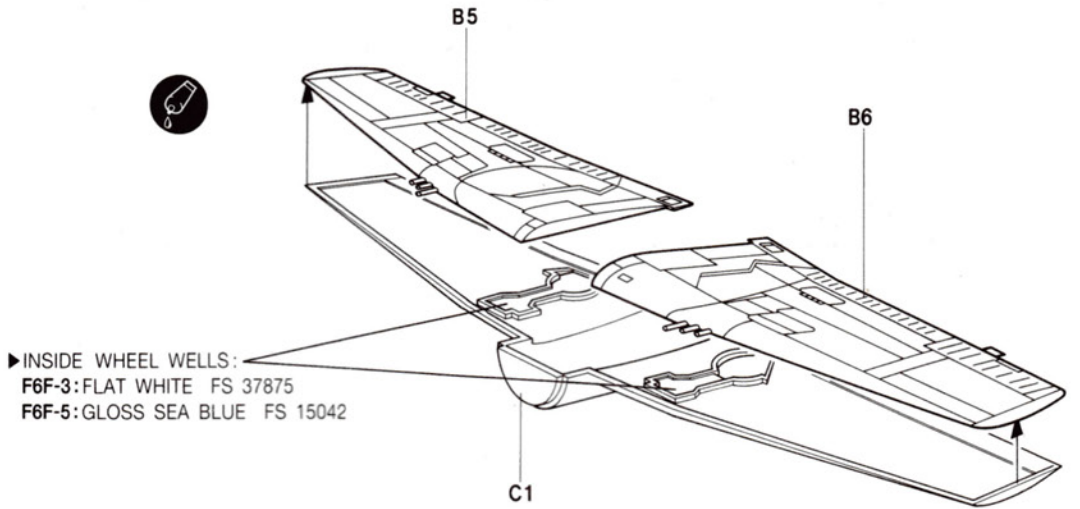
2 FUSELAGE ASSEMBLY



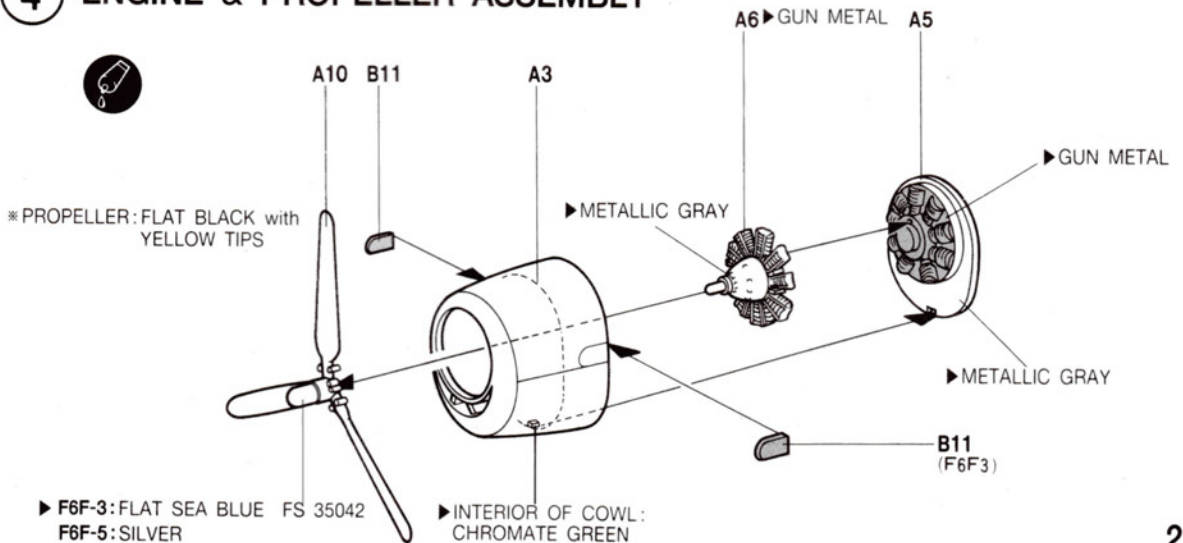
● CUT OUT



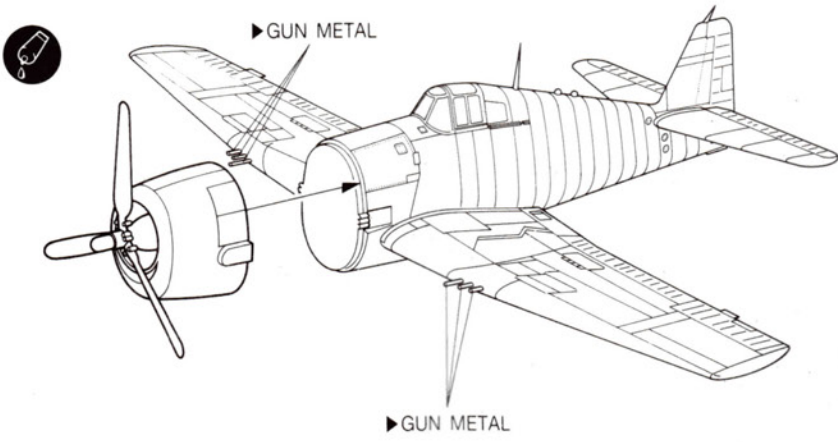
3 WING ASSEMBLY



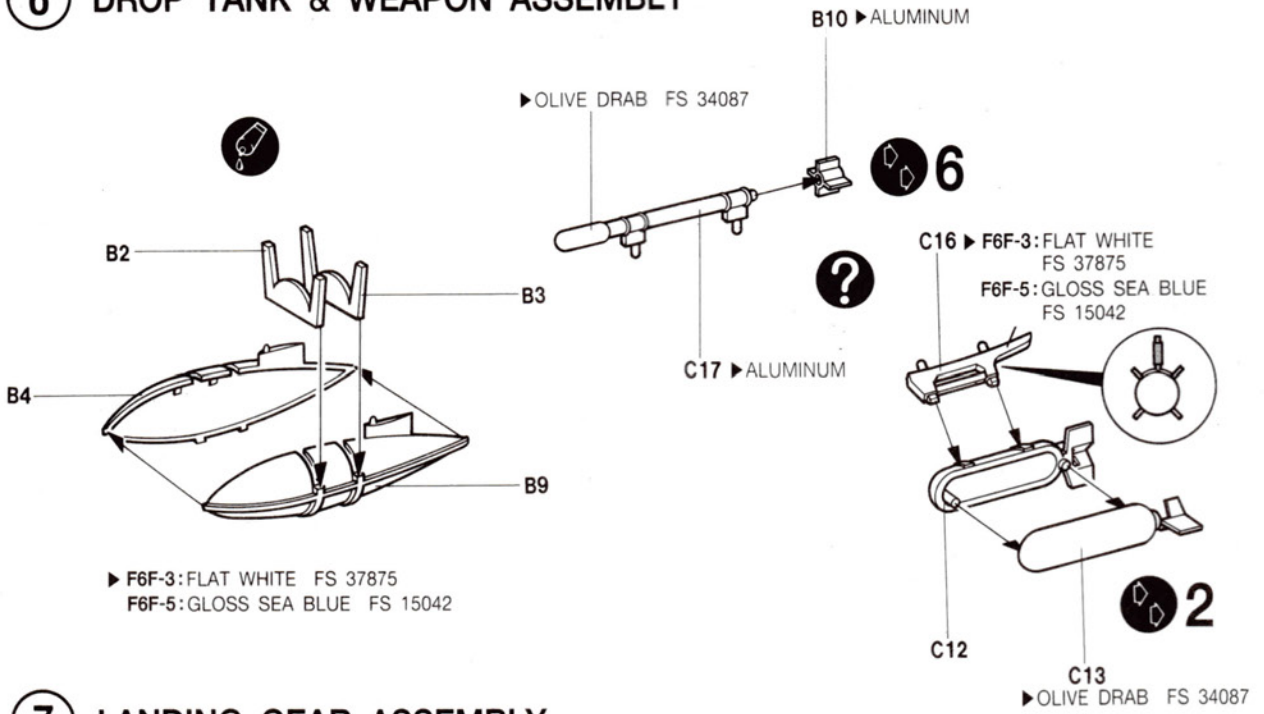
4 ENGINE & PROPELLER ASSEMBLY



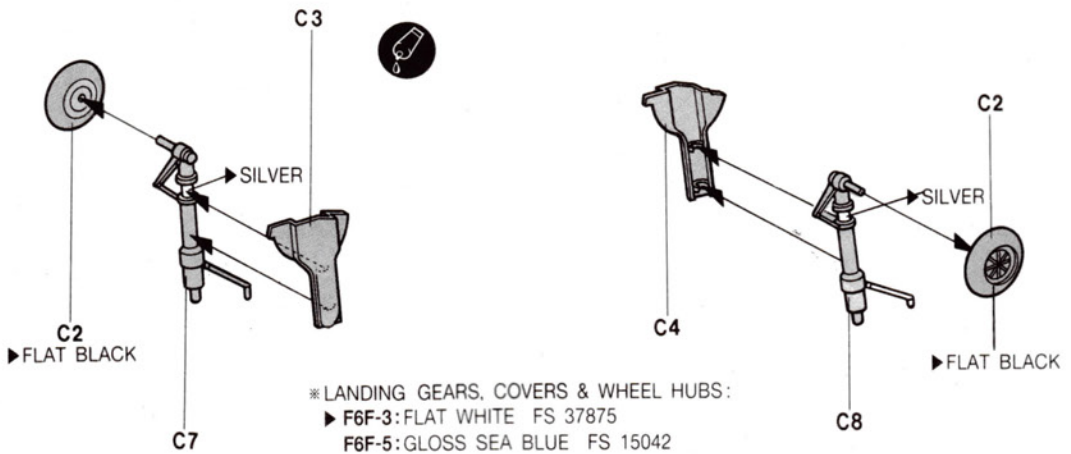
5 ENGINE TO FUSELAGE ASSEMBLY



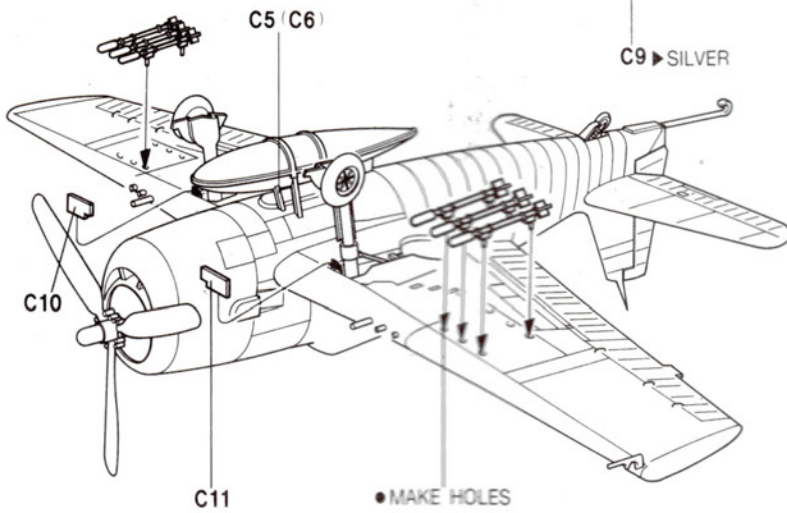
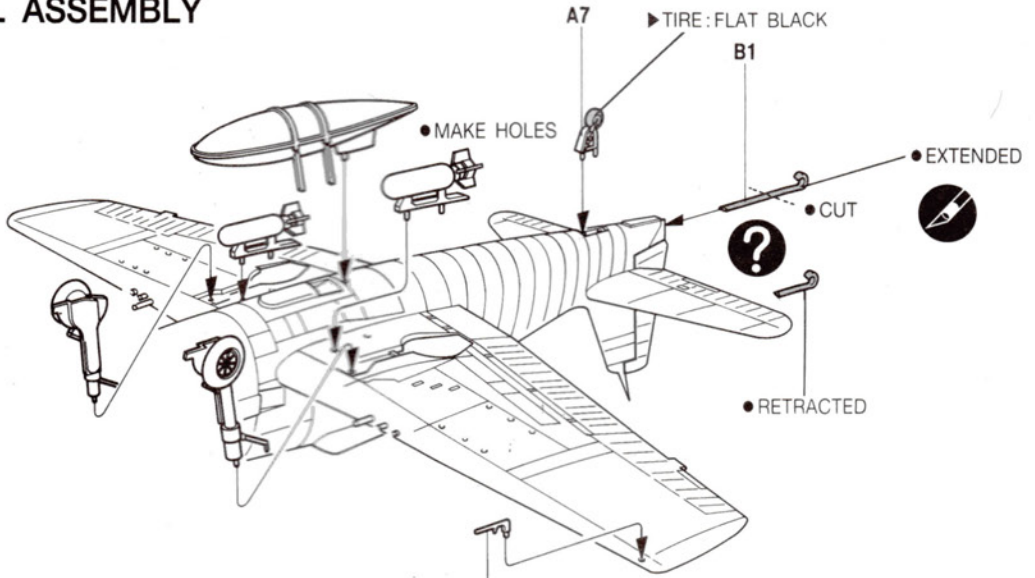
6 DROP TANK & WEAPON ASSEMBLY



7 LANDING GEAR ASSEMBLY

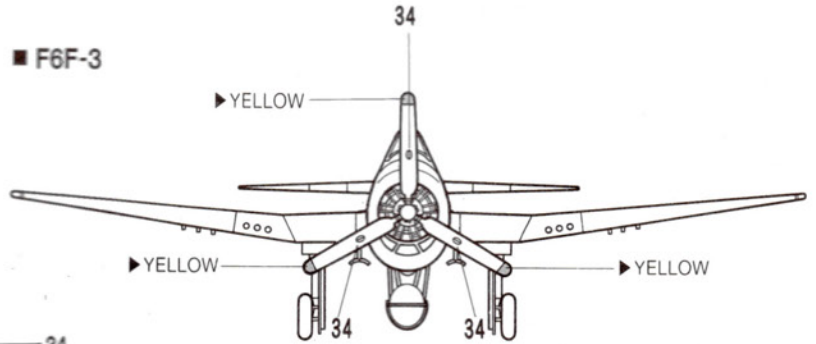


8 FINAL ASSEMBLY

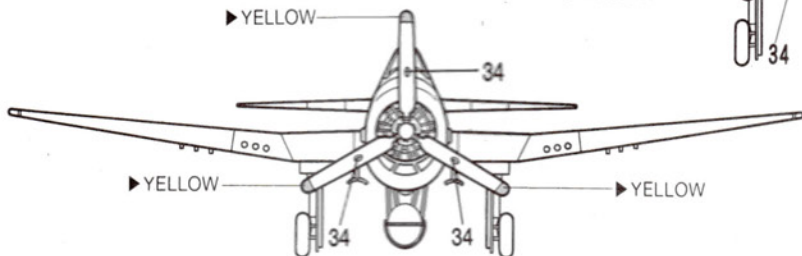


PAINTING & DECAL PLACEMENT

F6F-3

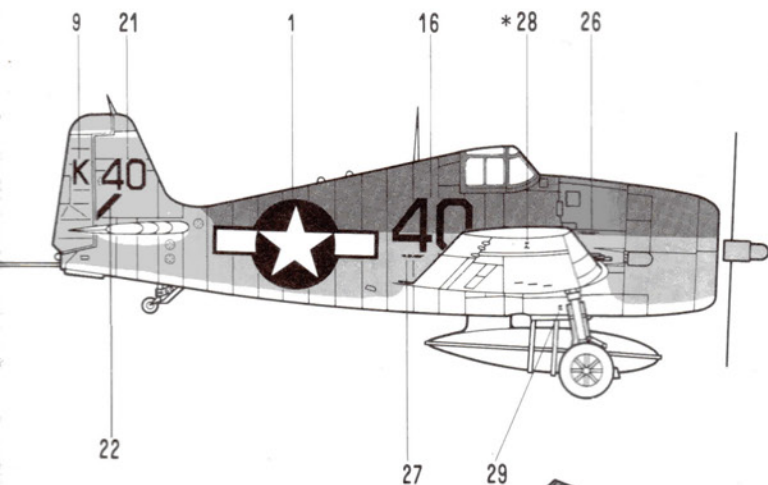


F6F-5

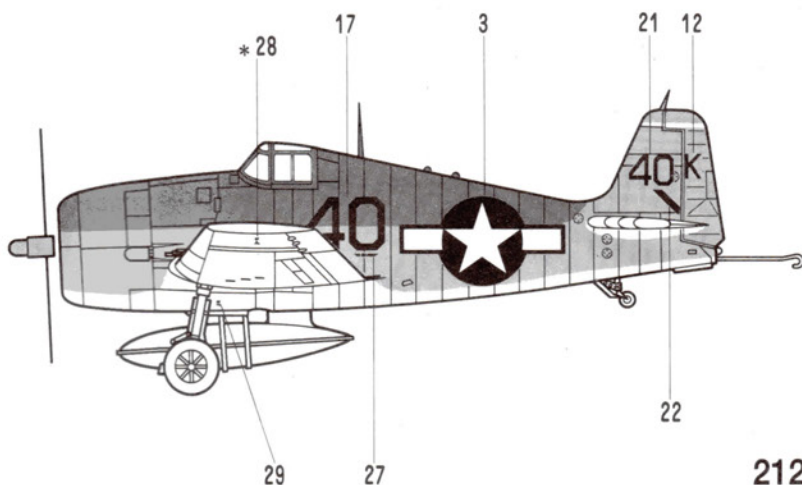
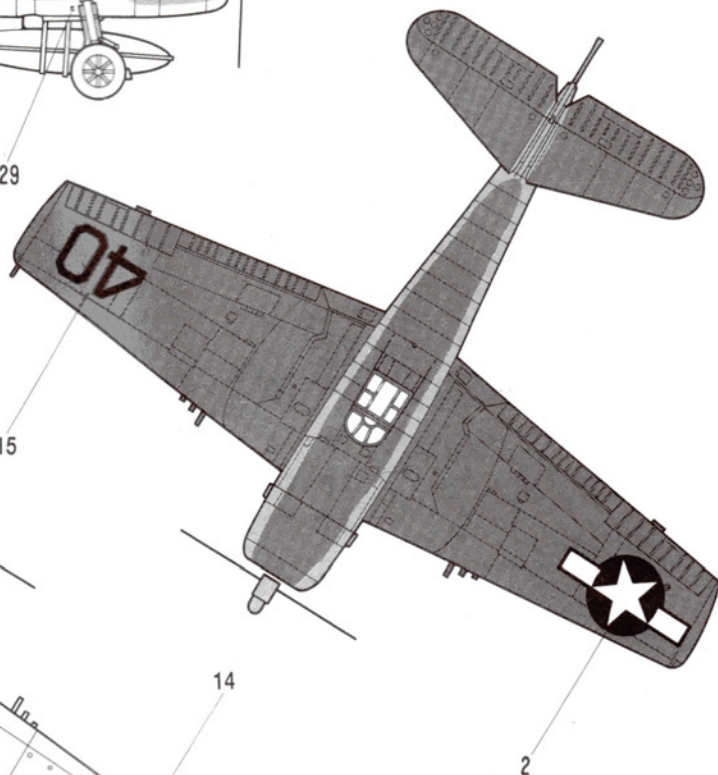
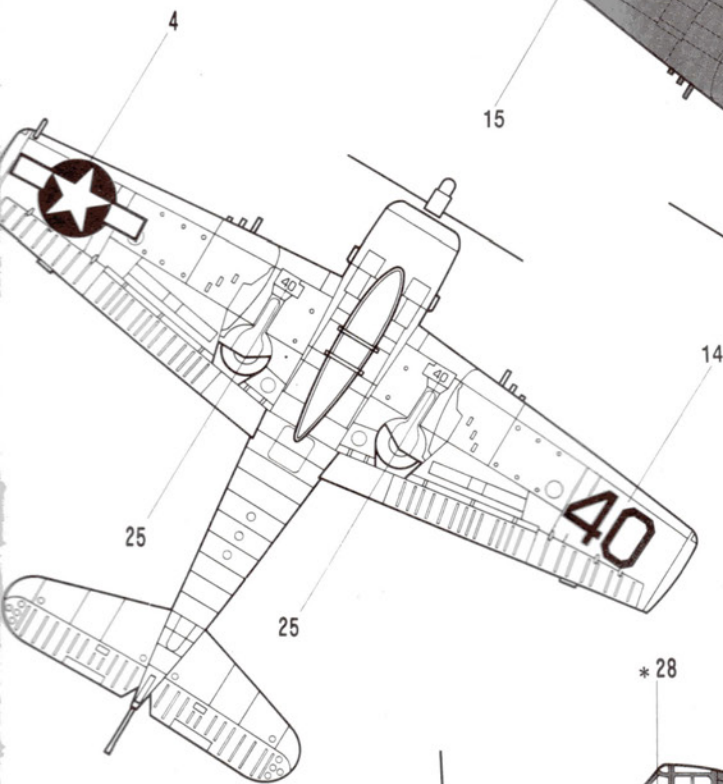


PAINTING & DECAL PLACEMENT

● *APPLY DECAL TO FUSELAGE.



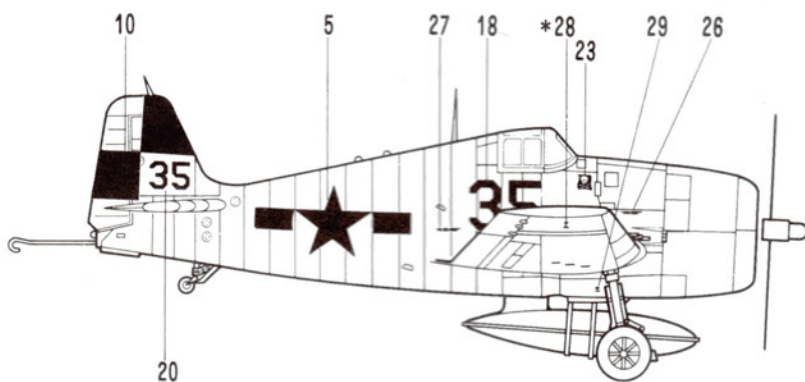
■ F6F-3
(VF-1, U.S.S. YORKTOWN)



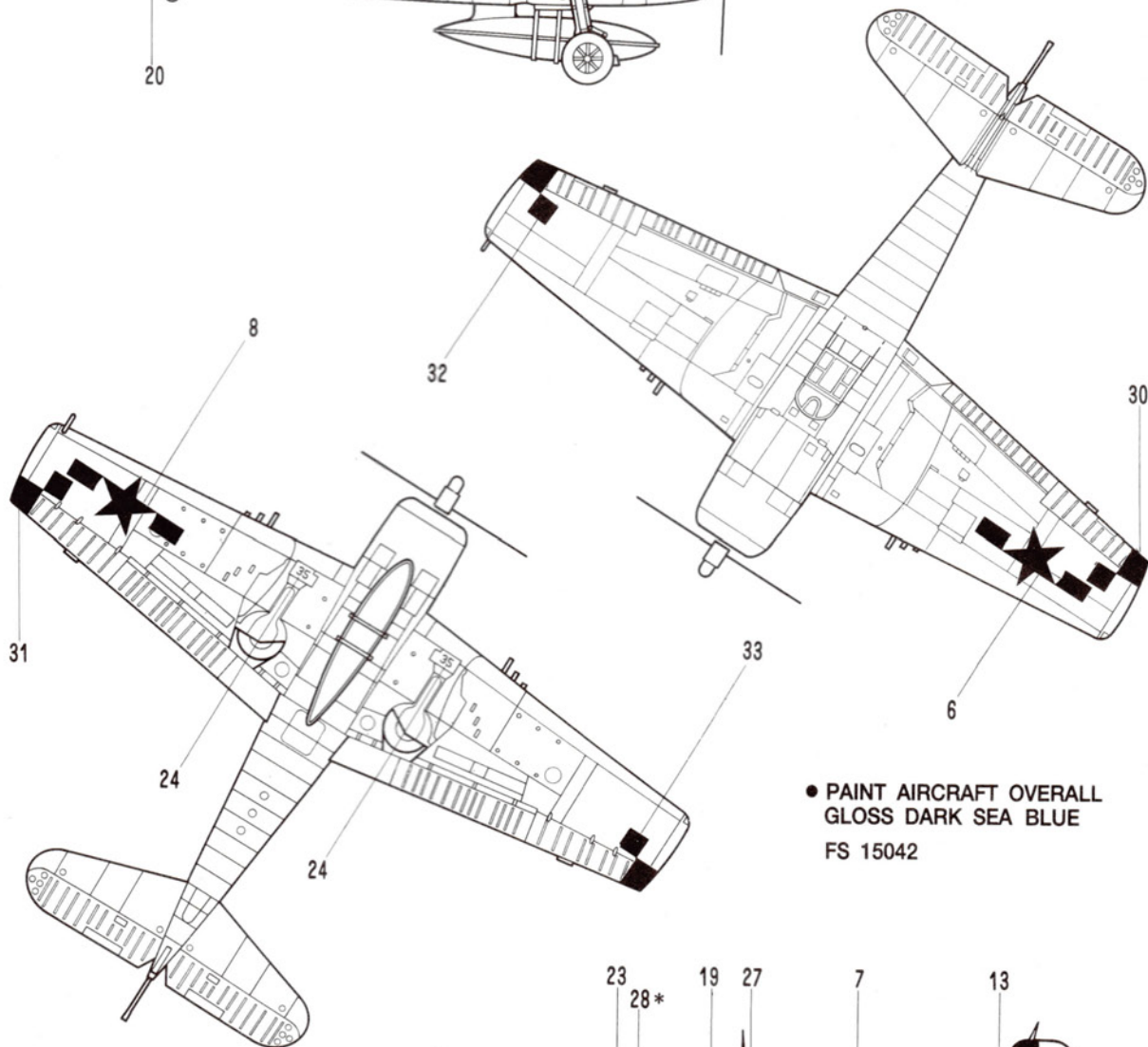
- FLAT SEA BLUE FS 35042
- FLAT INTERMEDIATE BLUE FS 35164
- FLAT WHITE FS 37875

PAINTING & DECAL PLACEMENT

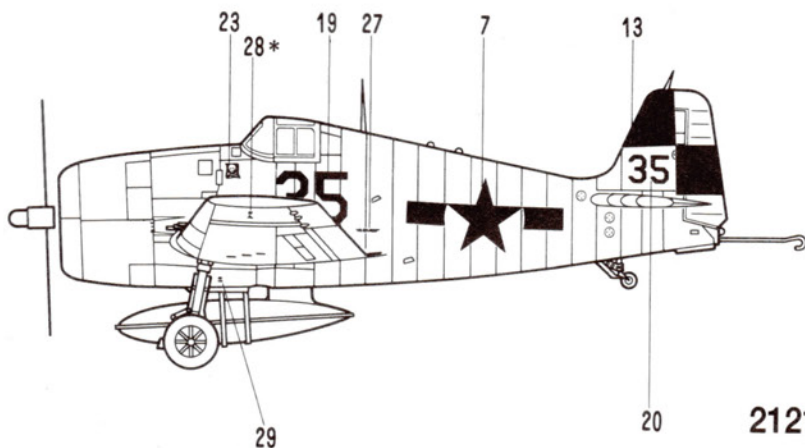
● *APPLY DECAL TO FUSELAGE.



■ F6F-5
(VF-17, U.S.S. HORNET)



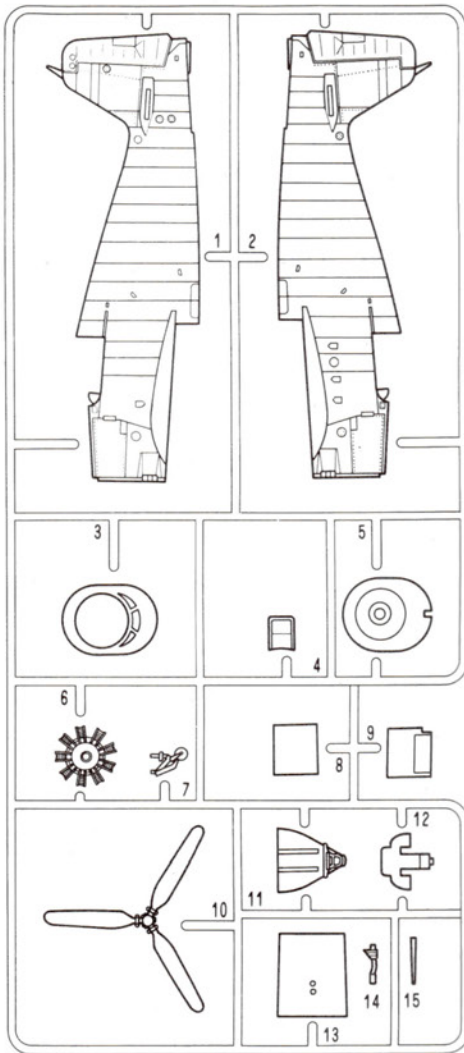
● PAINT AIRCRAFT OVERALL
GLOSS DARK SEA BLUE
FS 15042



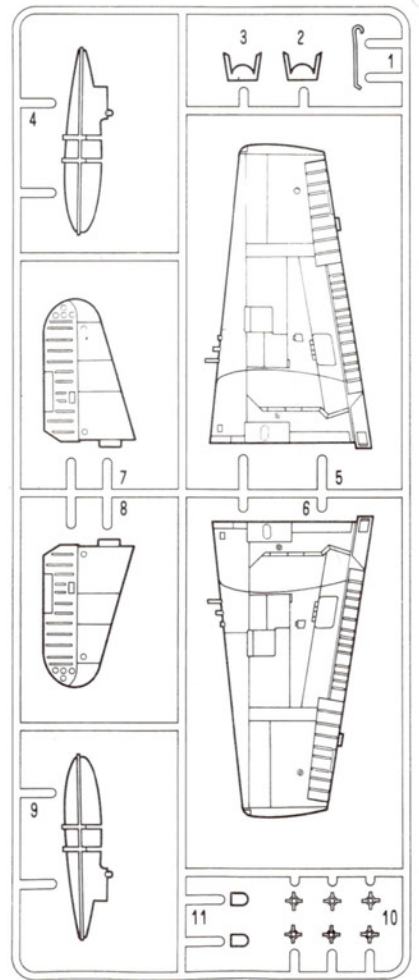
CHROMATE GREEN	GUN METAL
METALLIC GRAY	OLIVE DRAB
FLAT BLACK	GLOSS SEA BLUE
FLAT SEA BLUE	GLOSS DARK SEA BLUE
GUN METAL	ALUMINUM
SILVER	YELLOW

■ PARTS LOCATING DIAGRAM

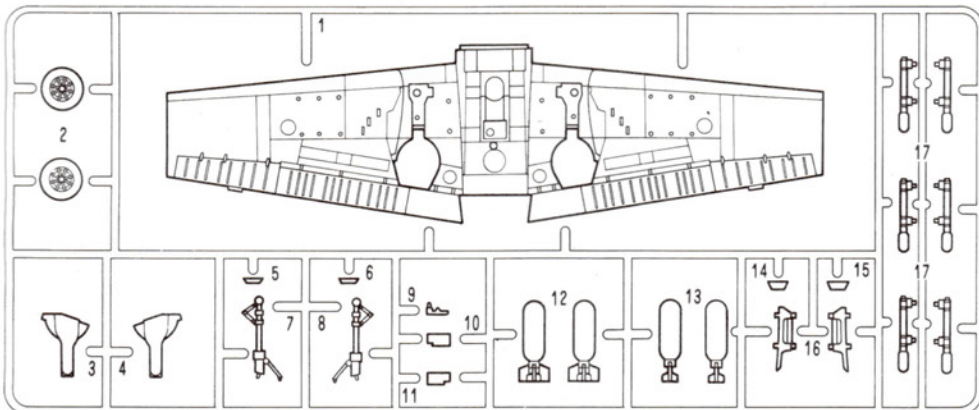
A



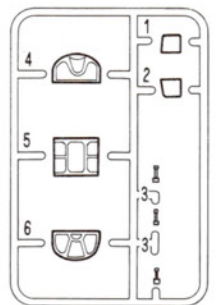
B



C



D



* UNUSED PARTS: C14, C15

Copyright 1992 Academy Plastic Model Co., Ltd.
273-64, Suyu-dong, Kangbuk-ku, Seoul, Korea FAX: 82-2-997-3003

2121
ACADEMY
HOBBY MODEL KITS