

AVRO VULCAN



78-4552-250

Designed by the same team as the famous Avro Lancaster Bomber of W.W.II the Vulcan was the major nuclear deterrent bomber for over 25 years. When the submarine launched Polaris Missile was adopted as Britain's primary nuclear strike weapon the Vulcan was adapted for low level under-the-radar operations. It was in this role that the Vulcan finally saw service, for in 1982 a lone aircraft bombed the runways of Port Stanley airfield in the Falkland Islands. This raid was historic for it gained the record for the longest ever bombing raid in history and it necessitated several in-flight re-fueling operations.

The delta wing Vulcan was powered by 4 Rolls Royce Olympus 201 two-shaft turbojets and had a maximum speed of 1030 km/h and a range of 7,400 kilometers. The huge weapons bay could carry up to 21,000 lbs of conventional or nuclear bombs or (as included in this kit) a Blue Steel thermonuclear stand-off-missile. The first squadron to be declared operational with this weapon was no. 617 (the famous 'Dam-busters' squadron) and it remained in service until December 1970. Wingspan 111 ft. 0 in., length 105 ft. 6 in., and height 27 ft. 2 in.

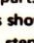
One of the most graceful bombers ever to fly, the Vulcan, the first large delta winged bomber in the world, will always be remembered for its exciting displays at airshows.



Decals provided for the 44th. sqdn. XM 607. (August 1982)

PAINT SCHEME

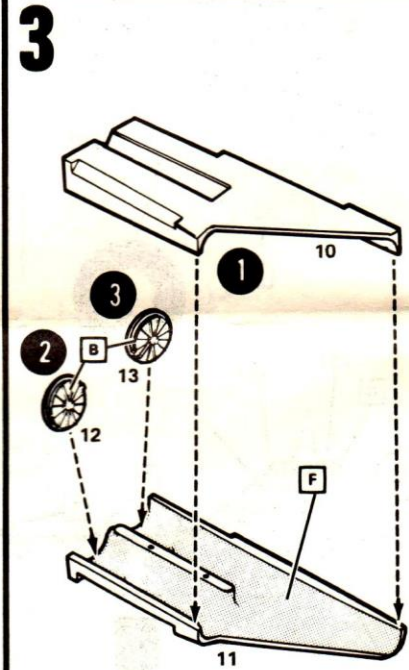
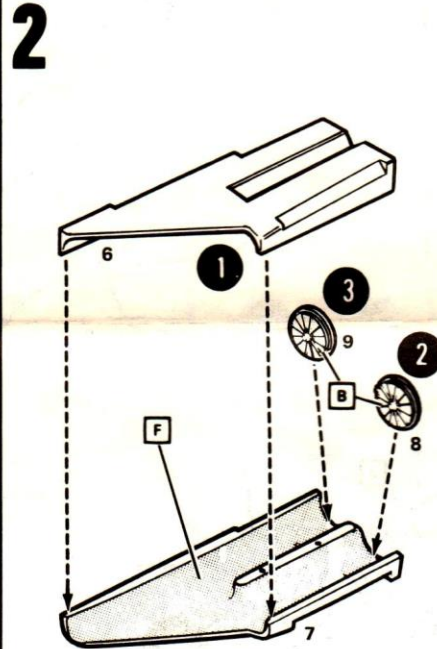
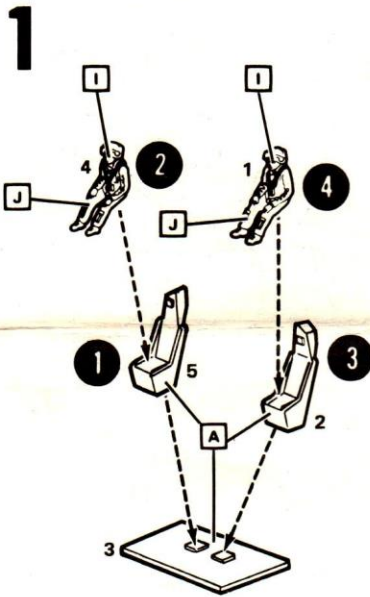
A	BLACK
B	SILVER
C	CREAM
D	LT. BROWN
E	SLATE GREY
F	WHITE
G	BLUE GREY
H	MED. GREY
I	FLESH
J	OLIVE GREEN

IMPORTANT! READ THIS FIRST

- Study assembly drawings carefully before starting.
- Each part is identified by a part number (14).
- Scrape paint from areas to be cemented.
- Before cement is used, check the fit of each part.
- Use only enough cement to join parts.
- Apply cement to small parts with a toothpick.
- Use cement made for styrene plastic only.
- Allow paint to dry thoroughly before handling.
- Your model may be painted to match the box photos.
- Cement all parts except where Do Not Cement symbol  is shown.
- Follow the step numbers ⑤ in each assembly drawing.
- ★ Refer to other assembly drawing for location.
- Refer to last page for decal and painting instructions.

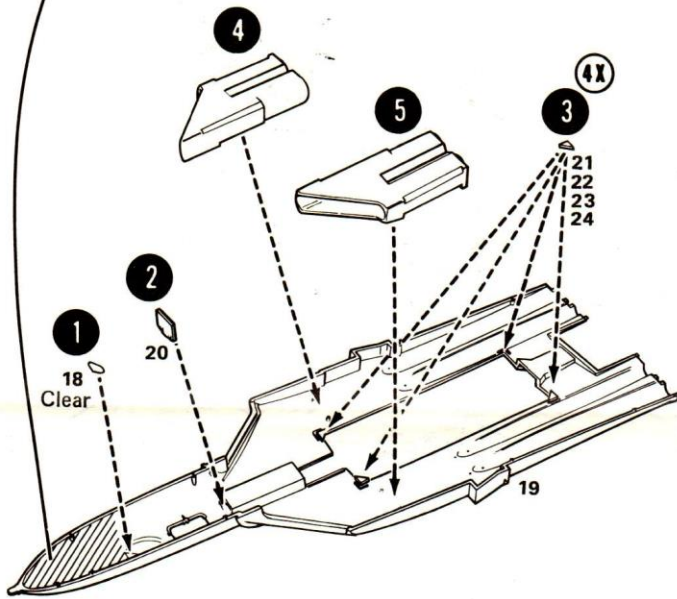
- ⑤ — STEP NUMBERS
- 32 — PLASTIC PART NUMBERS
- ②① — REPEAT SEVERAL TIMES
-  — OPTIONAL
-  — DECAL

© 1984 Fundimensions, Division of CPG Products Corp.

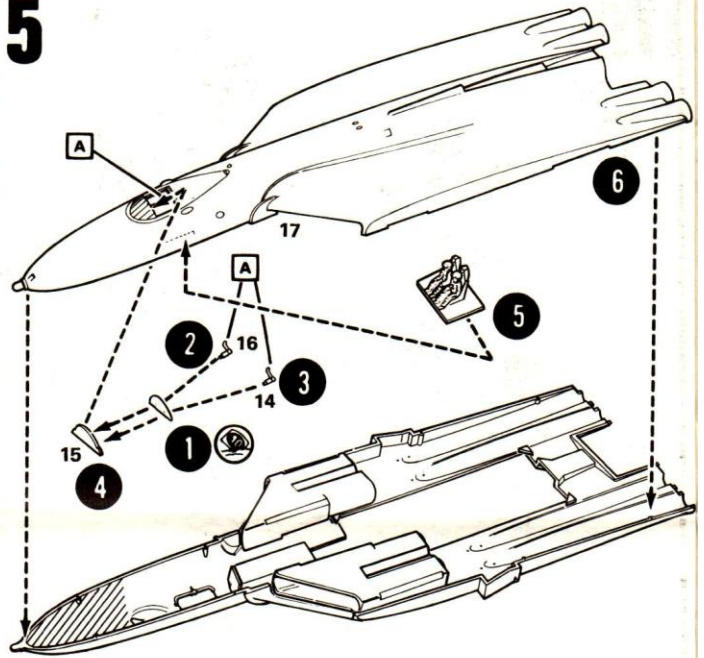


4

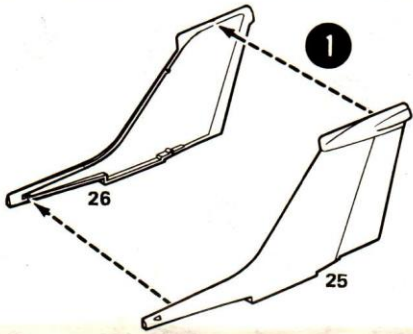
Add weight equal to 30 grams inside of nose for proper balance.



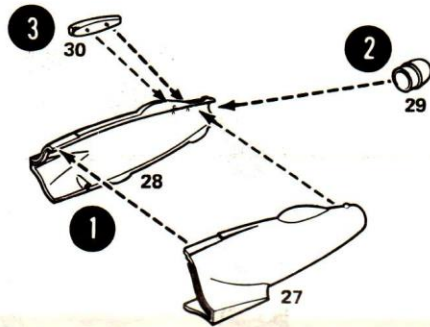
5



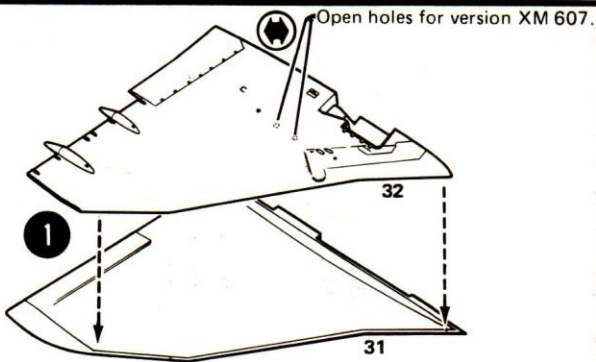
6



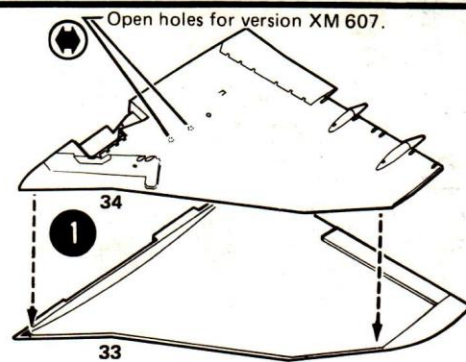
7



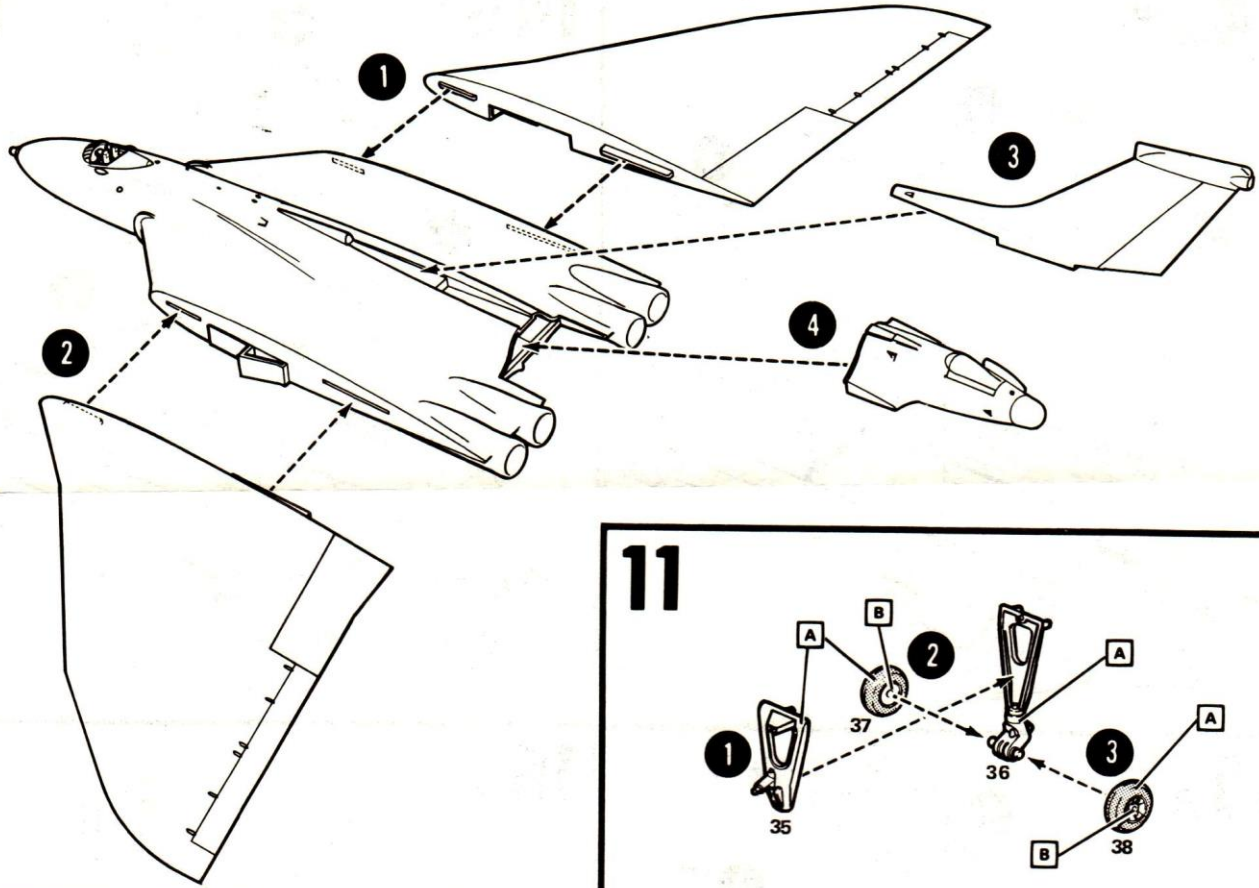
8



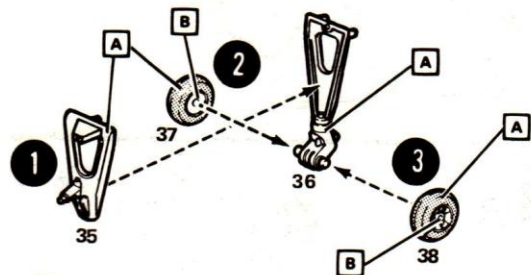
9



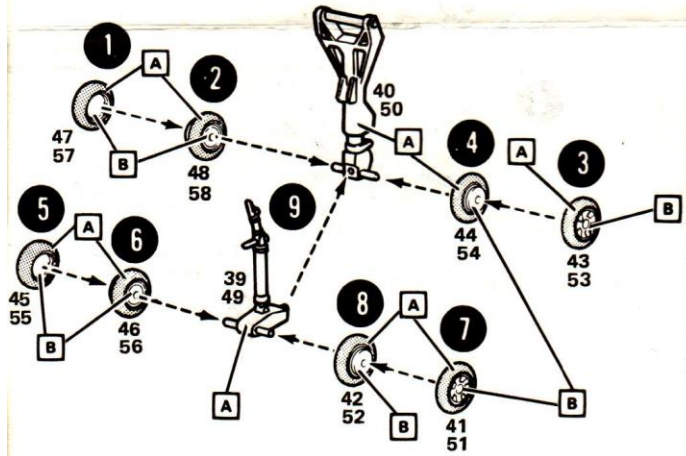
10



11

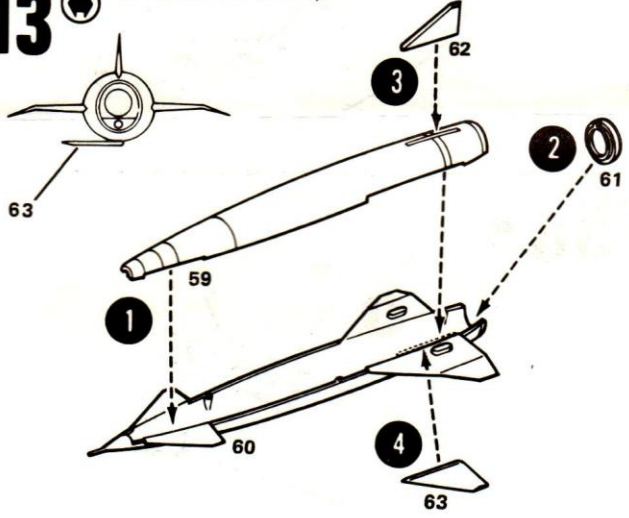


12 (2X)



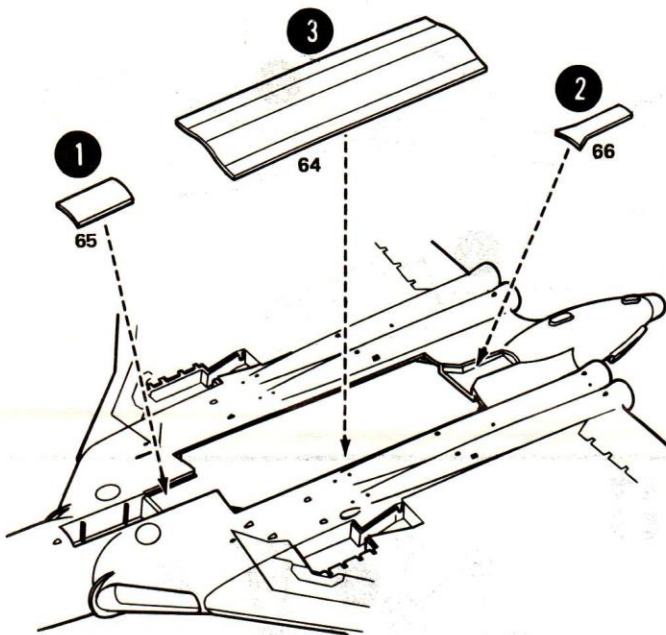
13

For XL 321 version only.



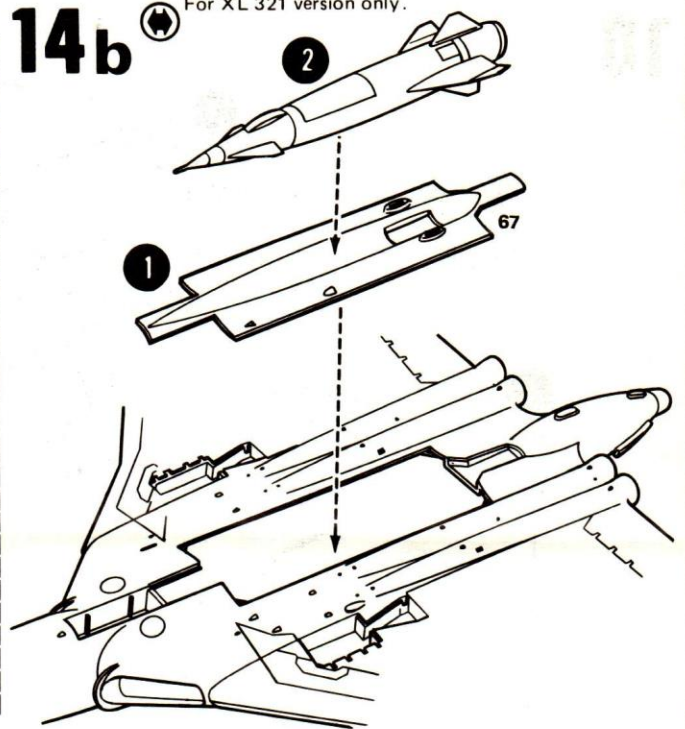
14a

For XM 607 version only.

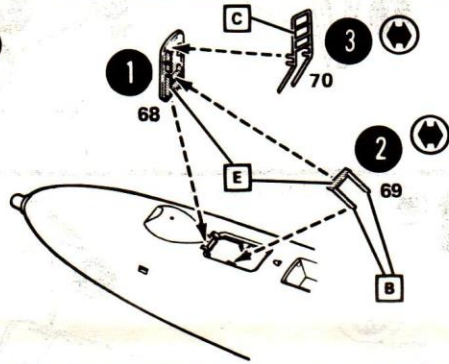


14b

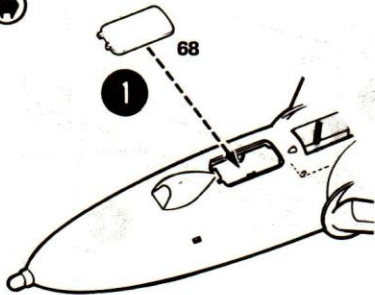
For XL 321 version only.



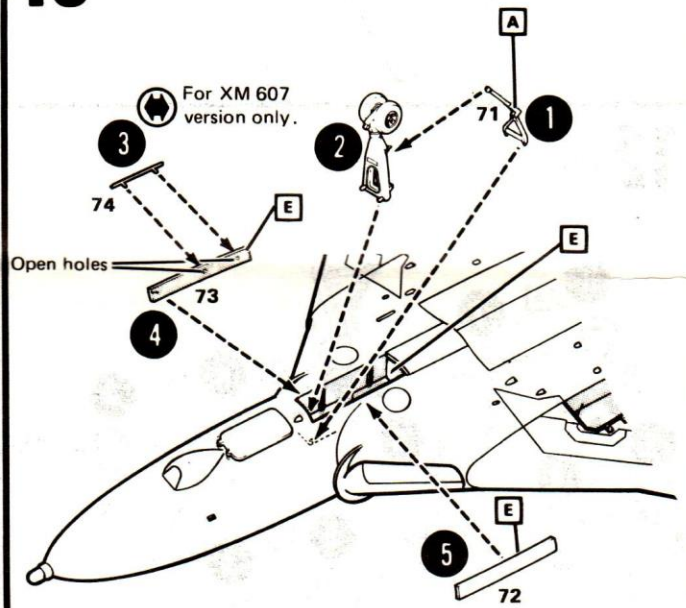
15a



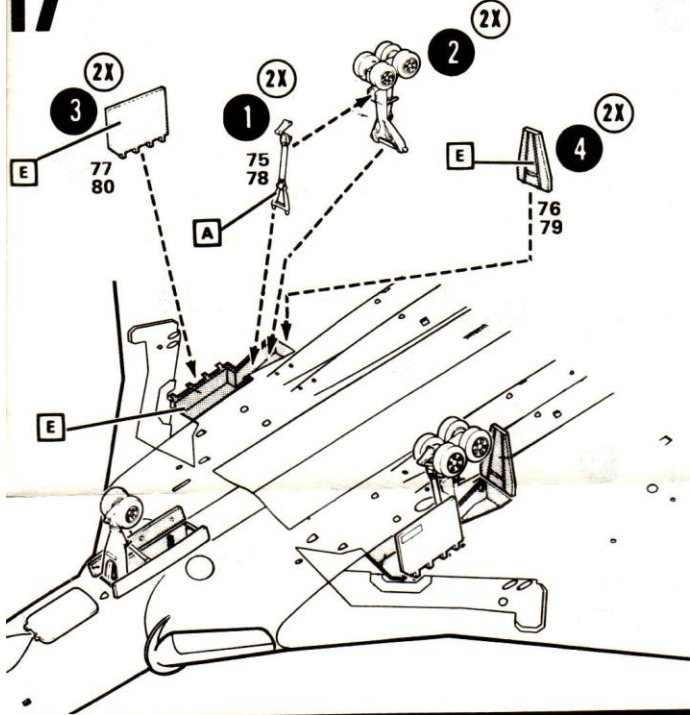
15b



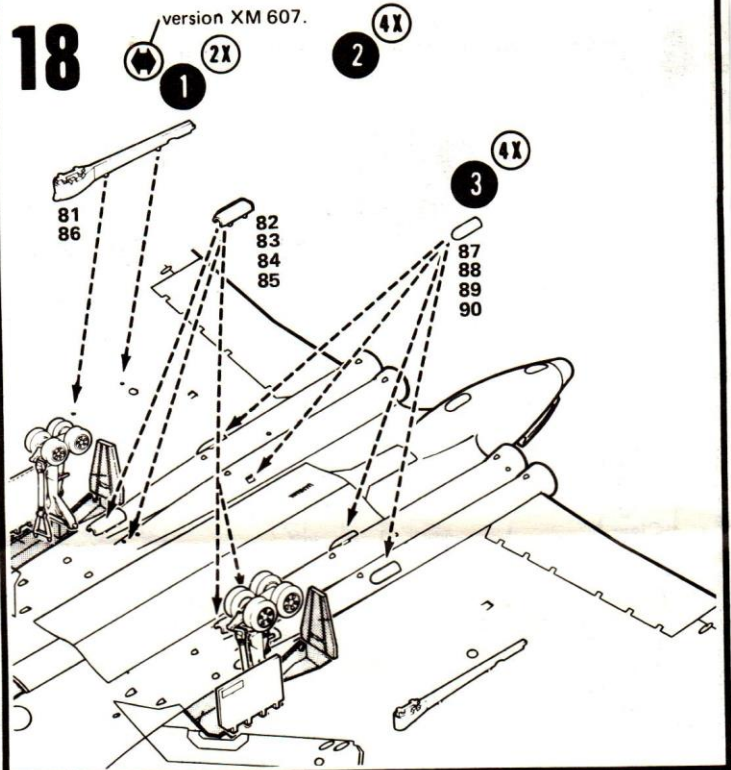
16



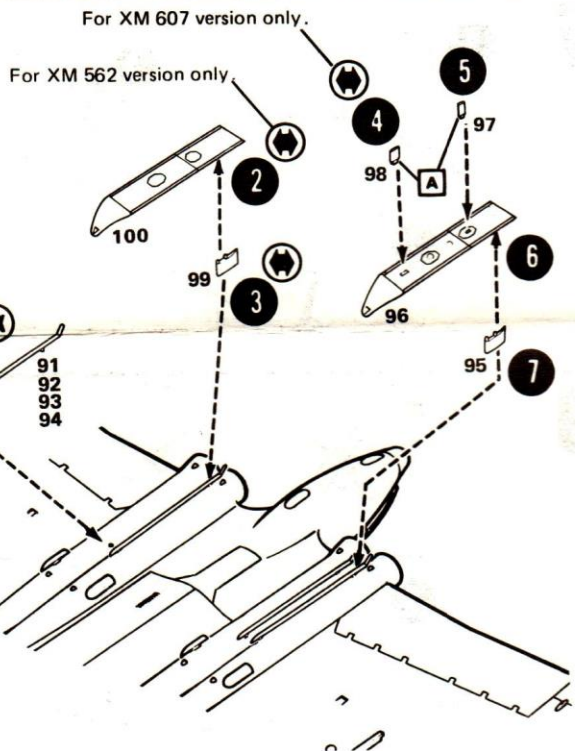
17



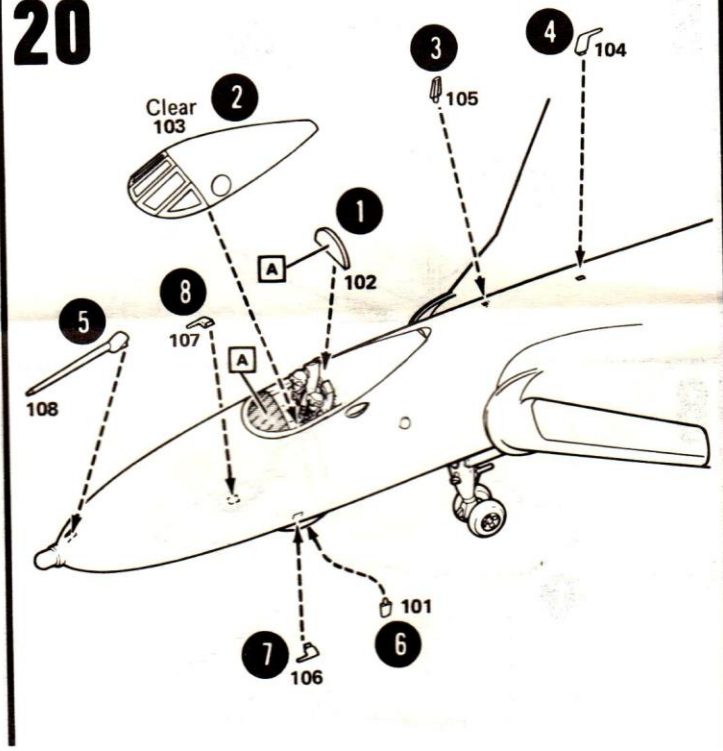
18



19

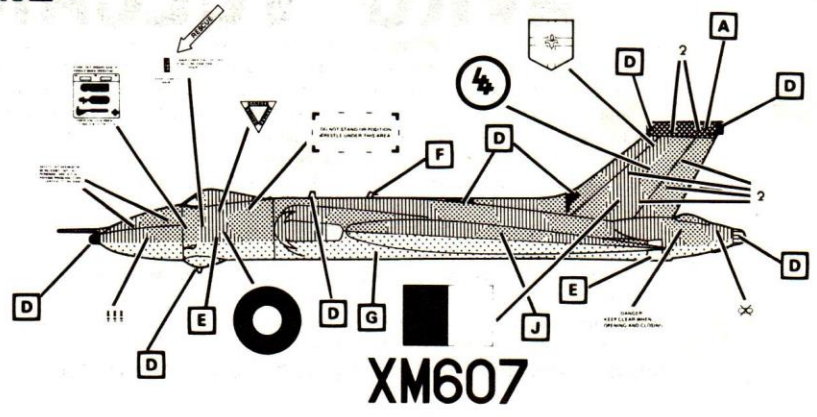
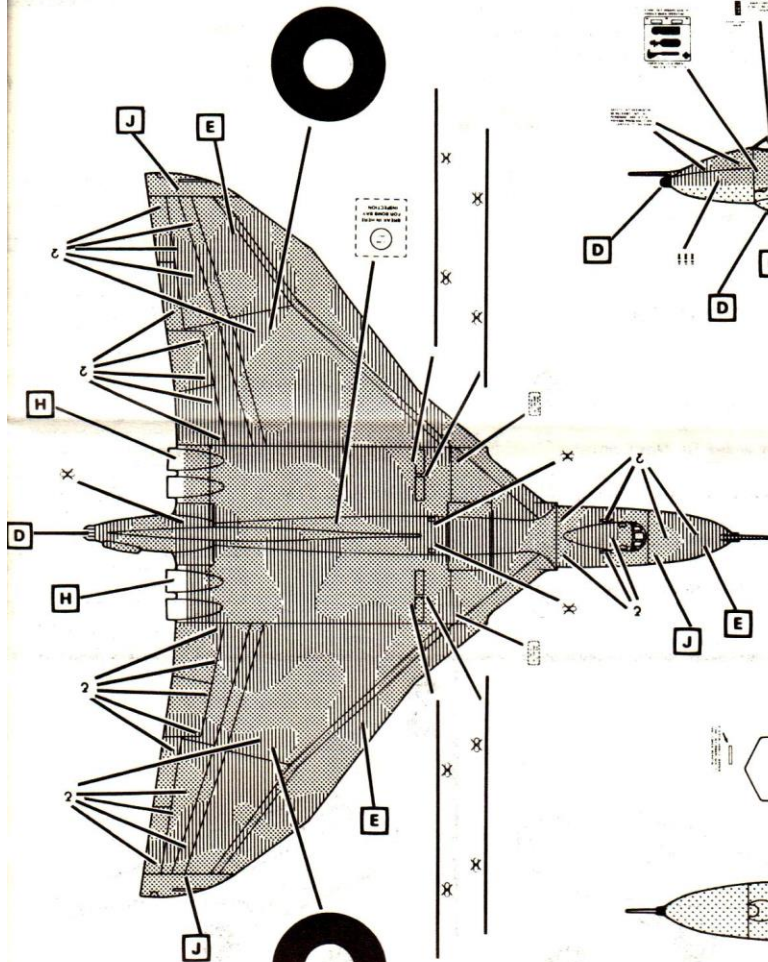


20

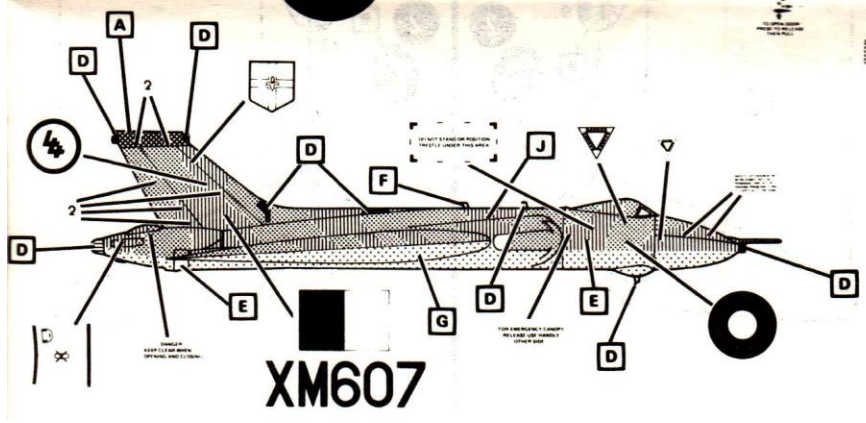
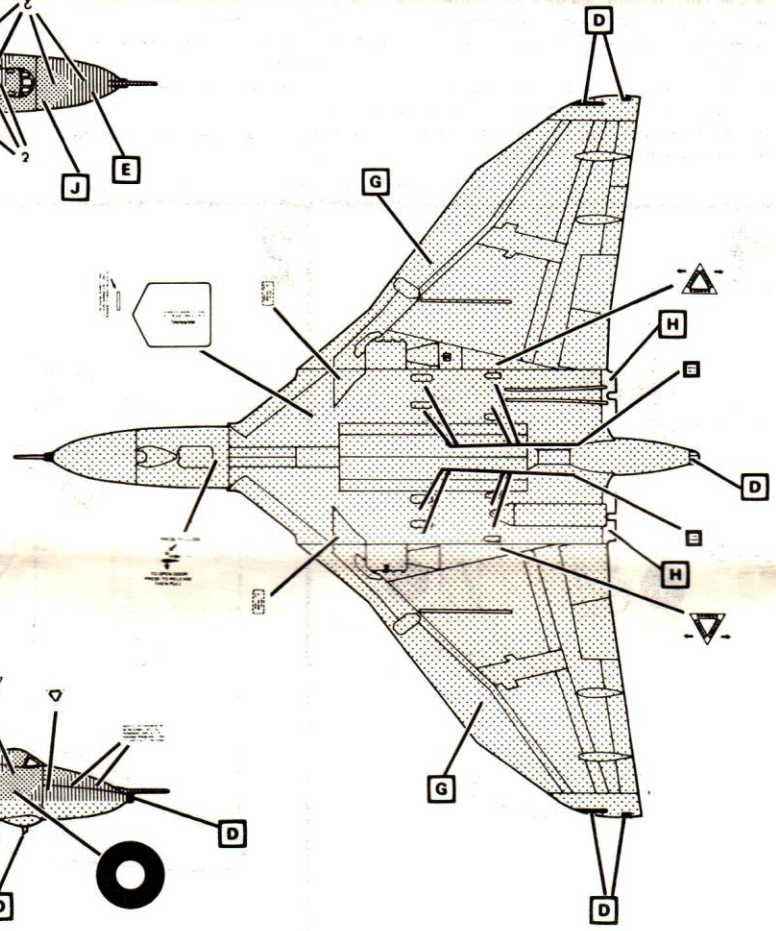


DECALS & PAINT SCHEME

Refer to title block for paint colors.



XM607



XM607