

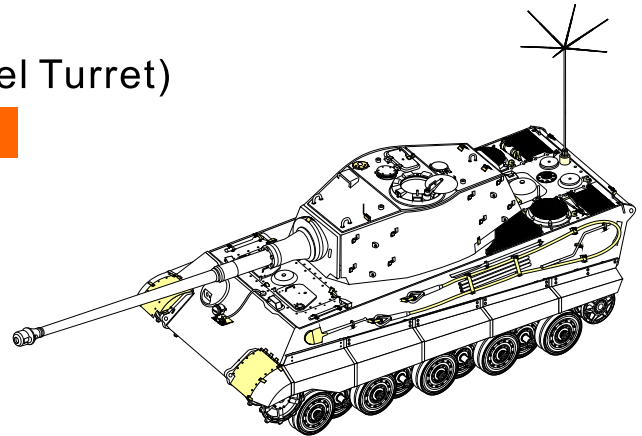
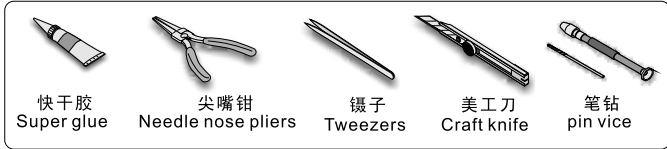
1/35 MILITARY MINIATURE VEHICLE UPGRADE SERIES PE35959

WWII German King Tiger (Hensehel Turret)

二战德军虎王坦克（亨舍尔炮塔）改造件

[For HOBBYBOSS 84531]

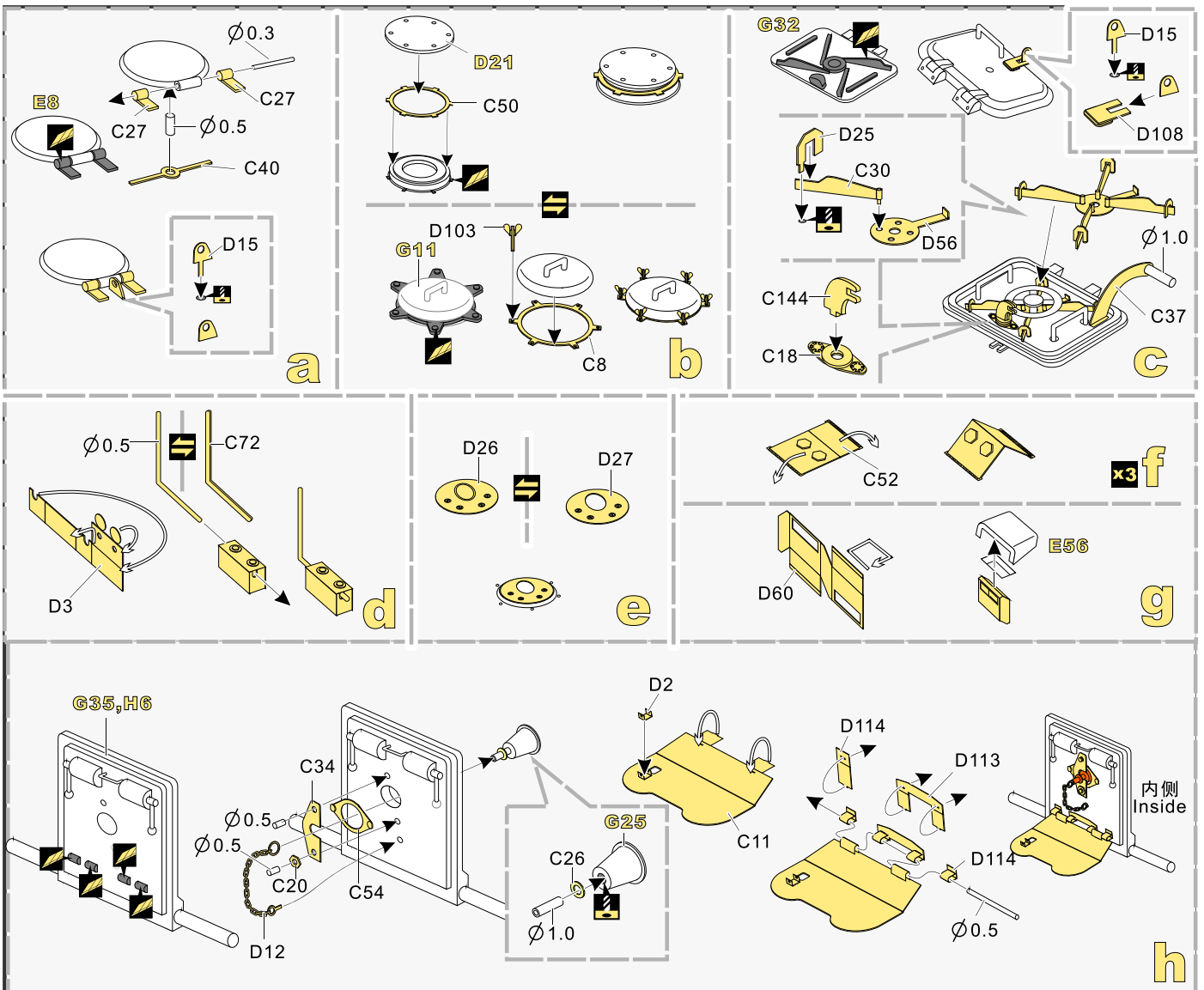
推荐使用工具 RECOMMENDED TOOLS



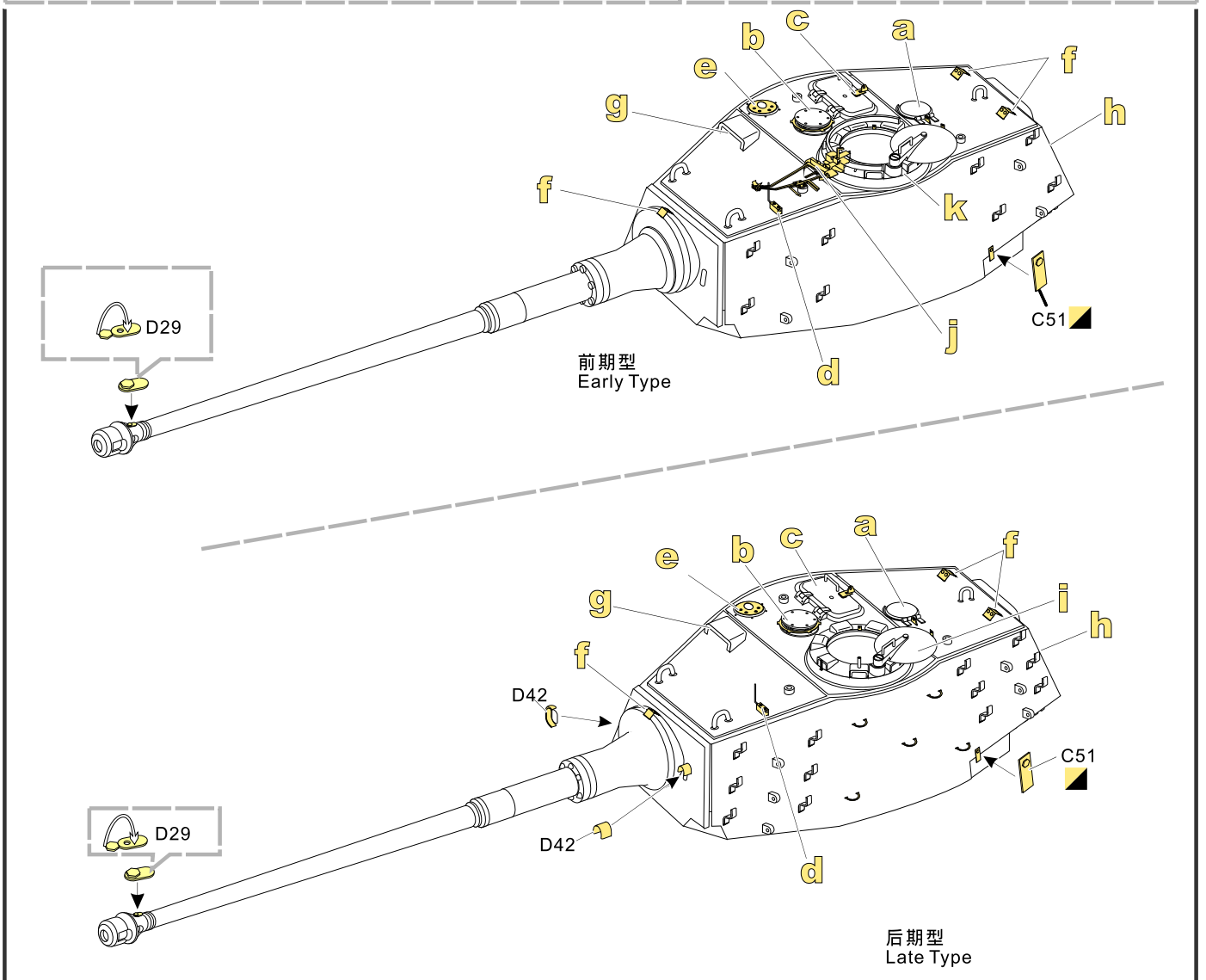
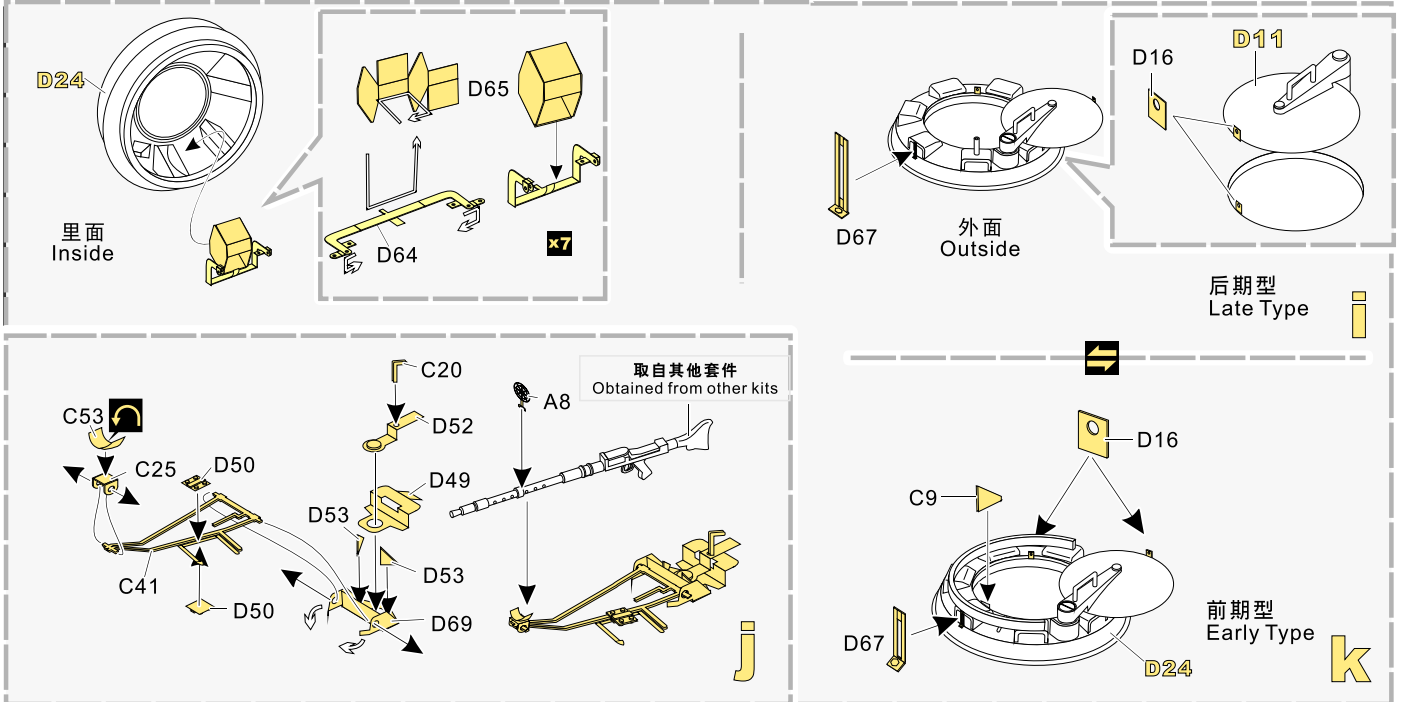
- ↑
安装
install
- ↩
折叠
bend
- A1**
改造件零件编号
PE/resin part number
- B12**
原零件编号
kit part number
- C22**
被替换的原零件编号
replaced kit part number
- 弧度卷曲
radial bending
- 钻孔
drill
- 注意
caution
- 切除
remove
- x2**
制作若干组
multiple assembly
- 填补
fill
- 选择安装
alternative
- 另一侧相同制作
repeat on opposite side
- 打磨
grind off

用尖端在凹槽处冲压
use penpoint to press on the dent

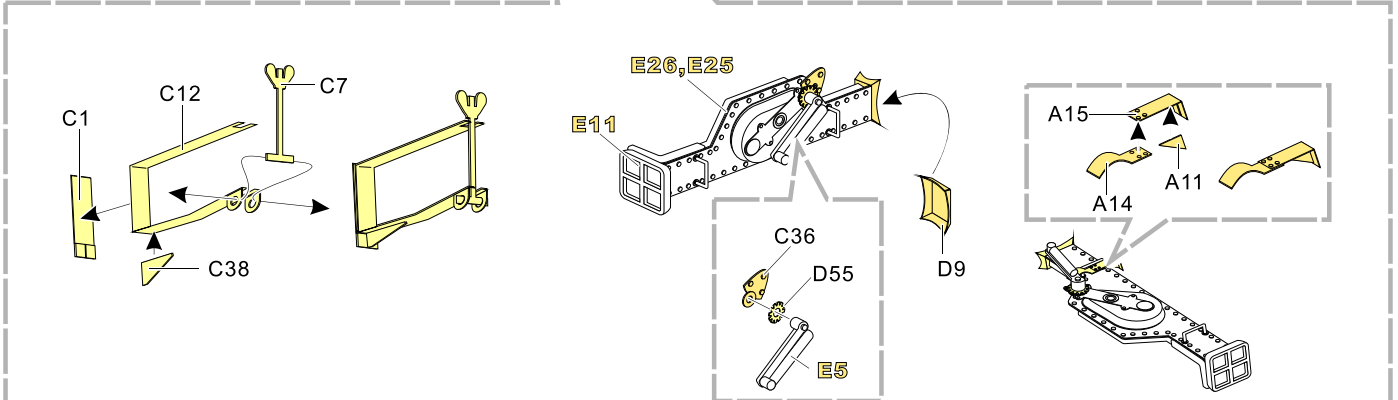
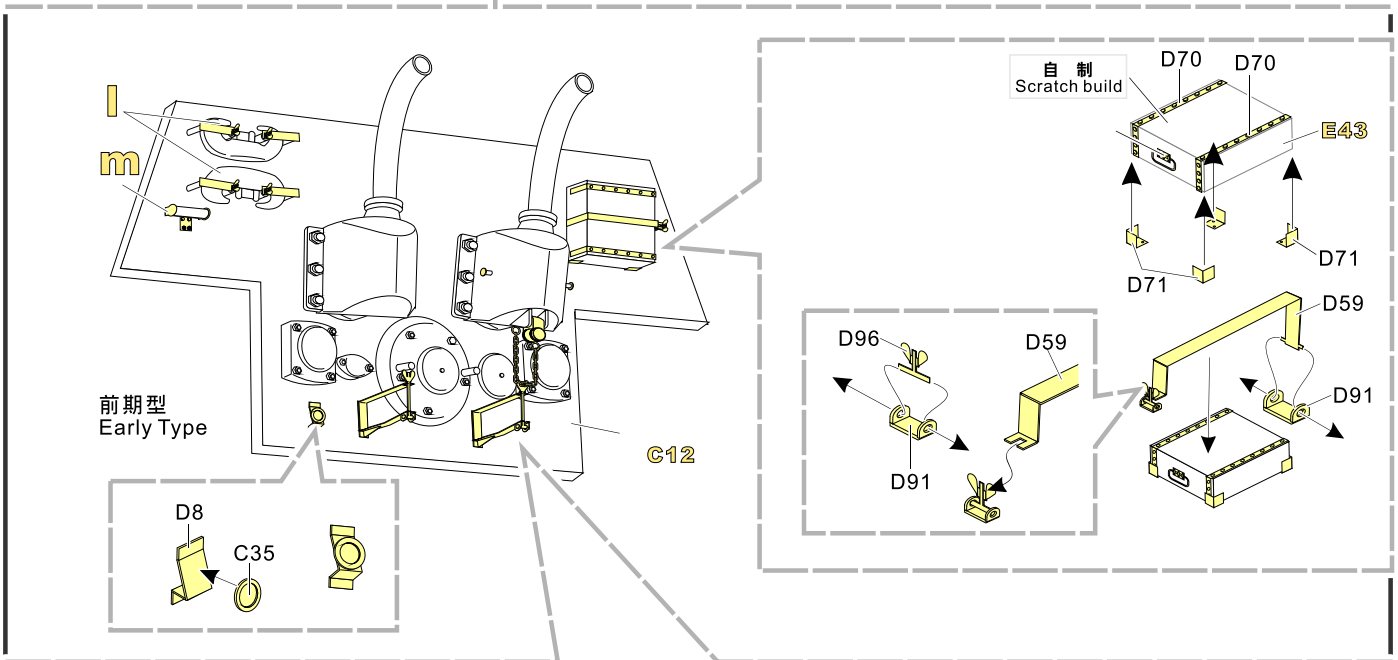
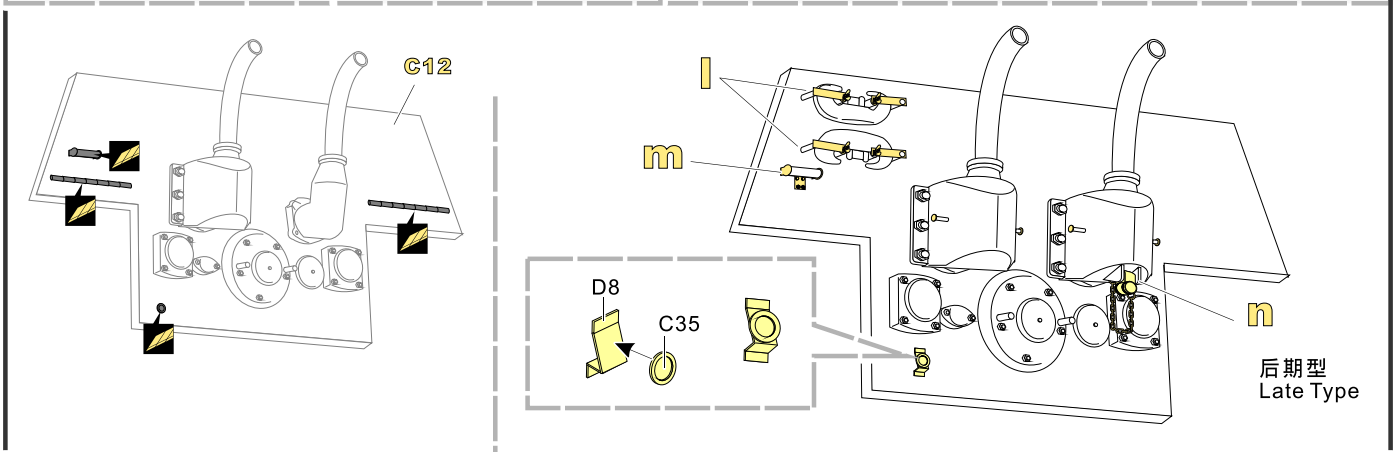
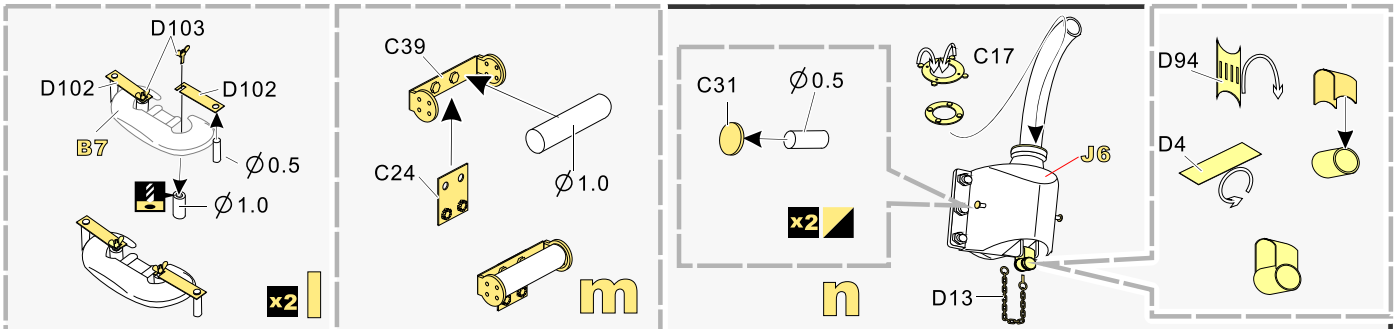
蚀刻片零件内侧面朝向
Put the part upside down
用笔尖在凹槽处刮
Use penpoint to press on the dent



1/35 MILITARY MINIATURE VEHICLE UPGRADE SERIES PE35959

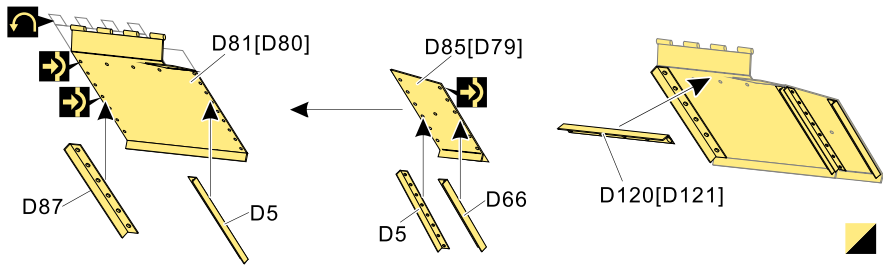


1/35 MILITARY MINIATURE VEHICLE UPGRADE SERIES PE35959

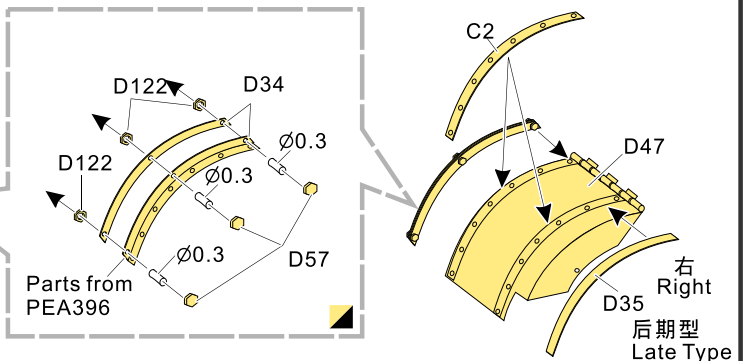
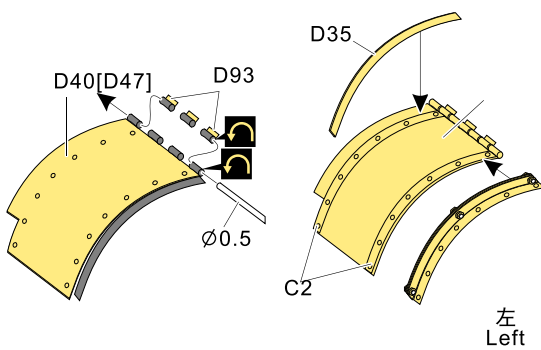
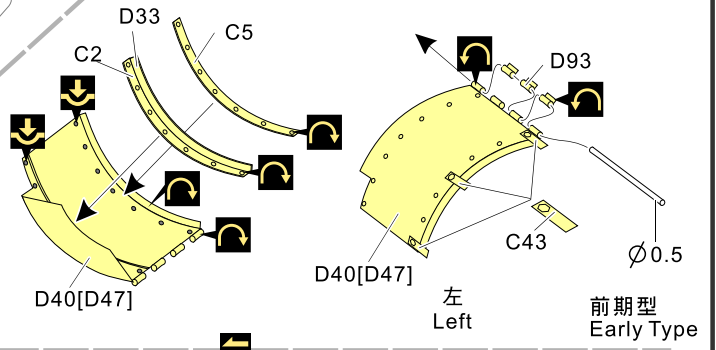
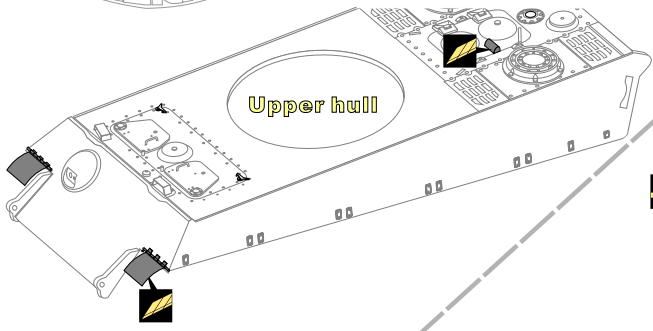
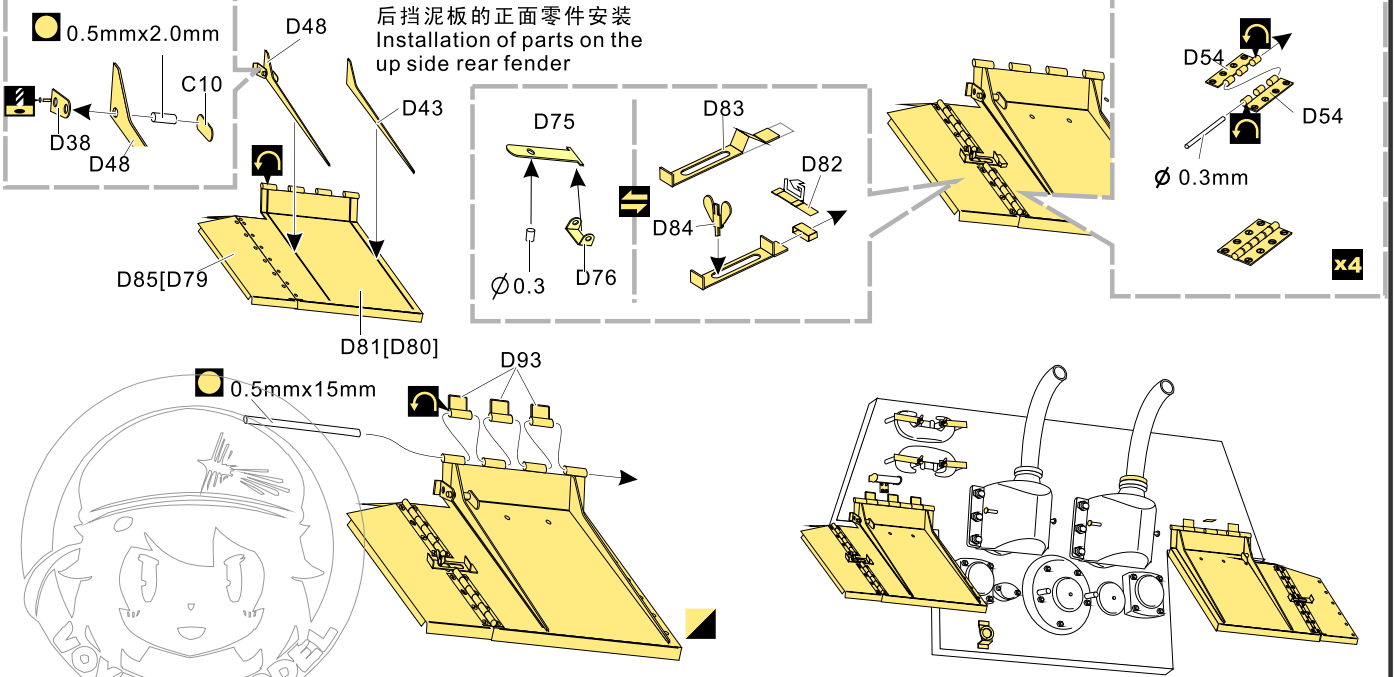


1/35 MILITARY MINIATURE VEHICLE UPGRADE SERIES PE35959

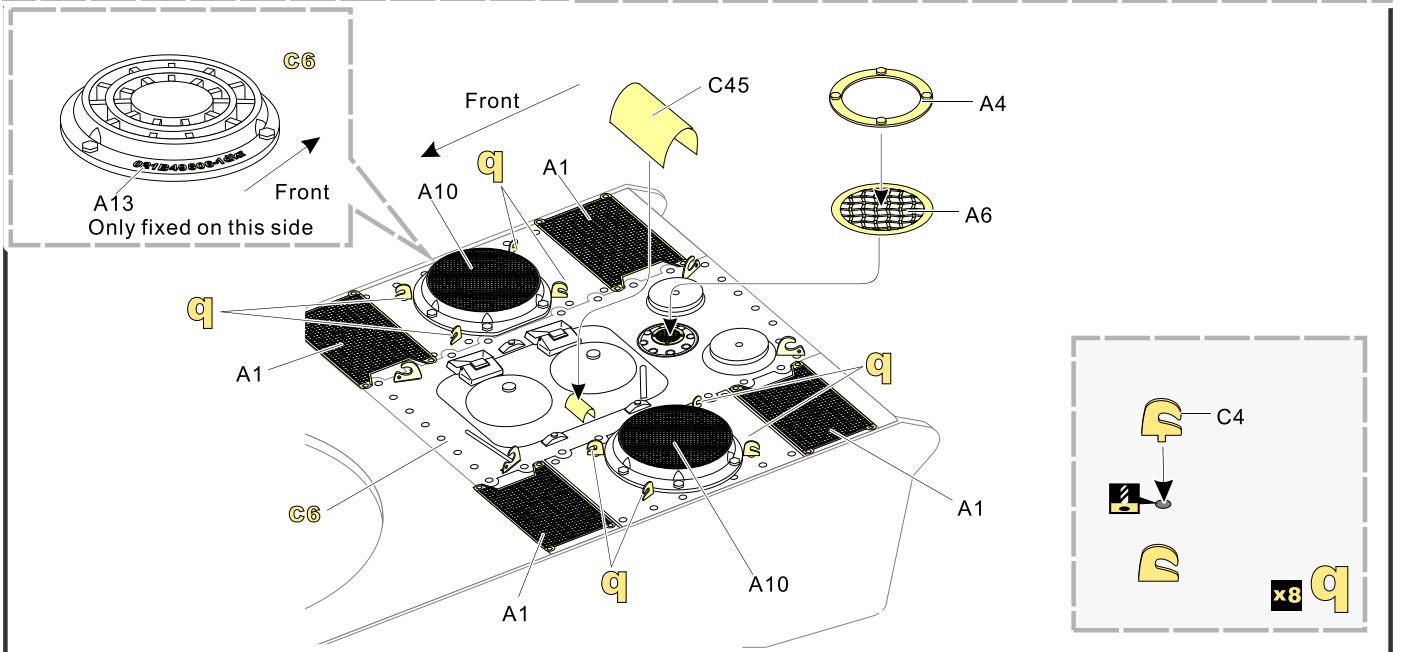
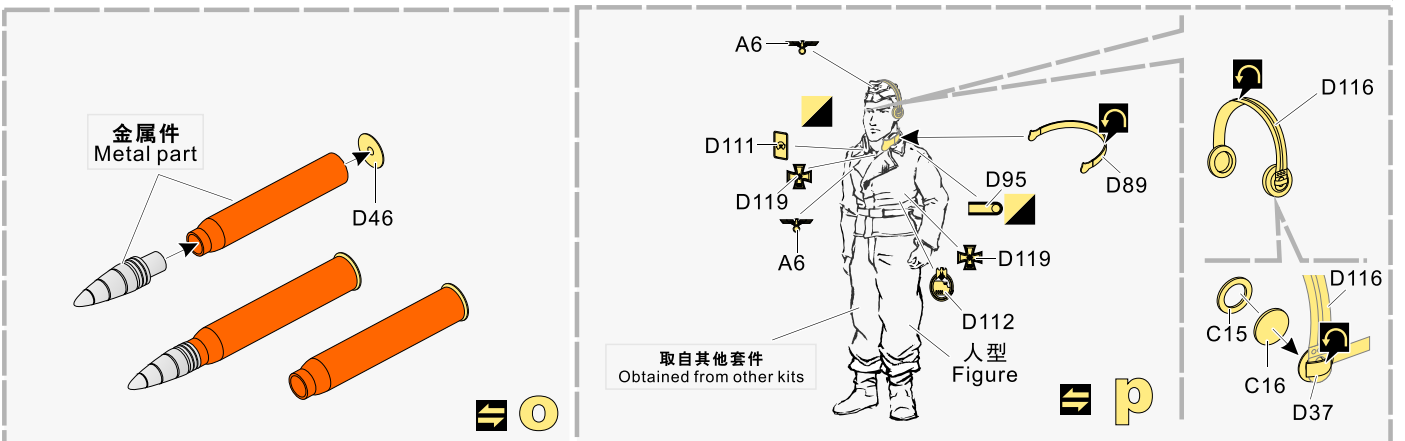
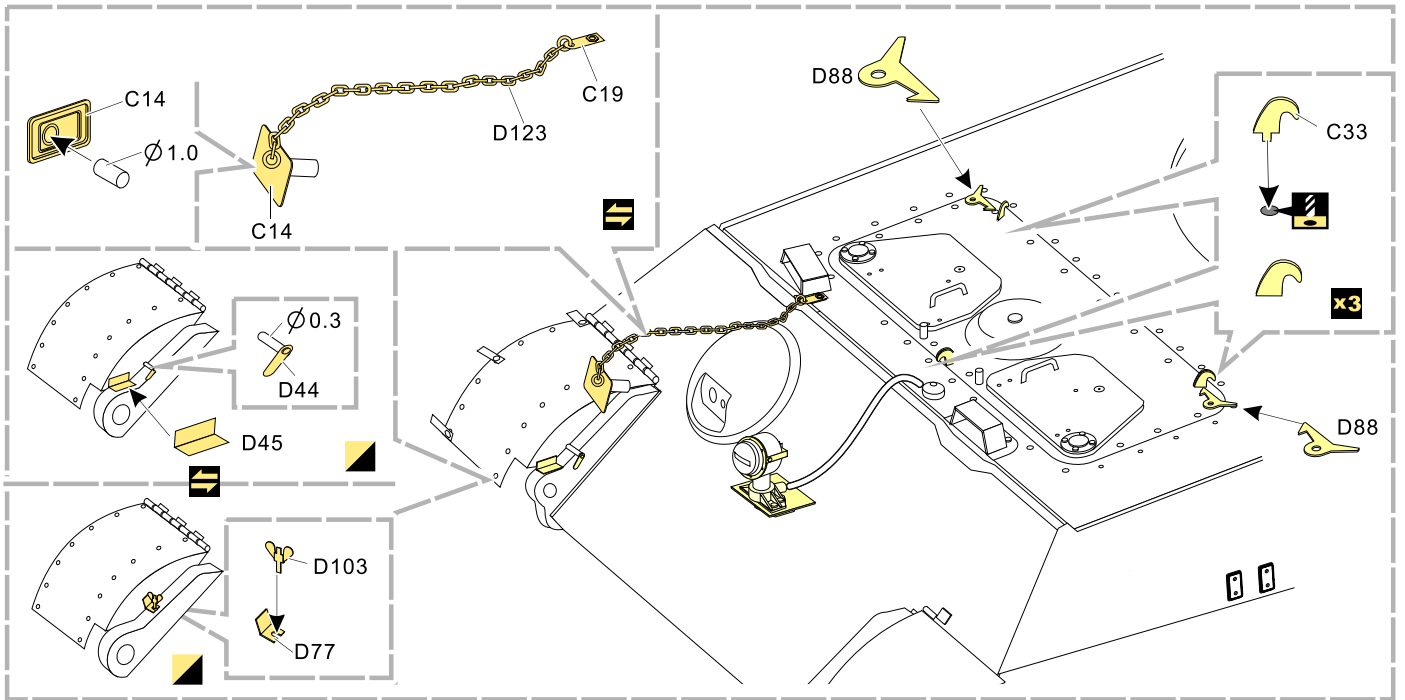
后挡泥板的底面零件安装
Installation of parts underneath
the rear fender



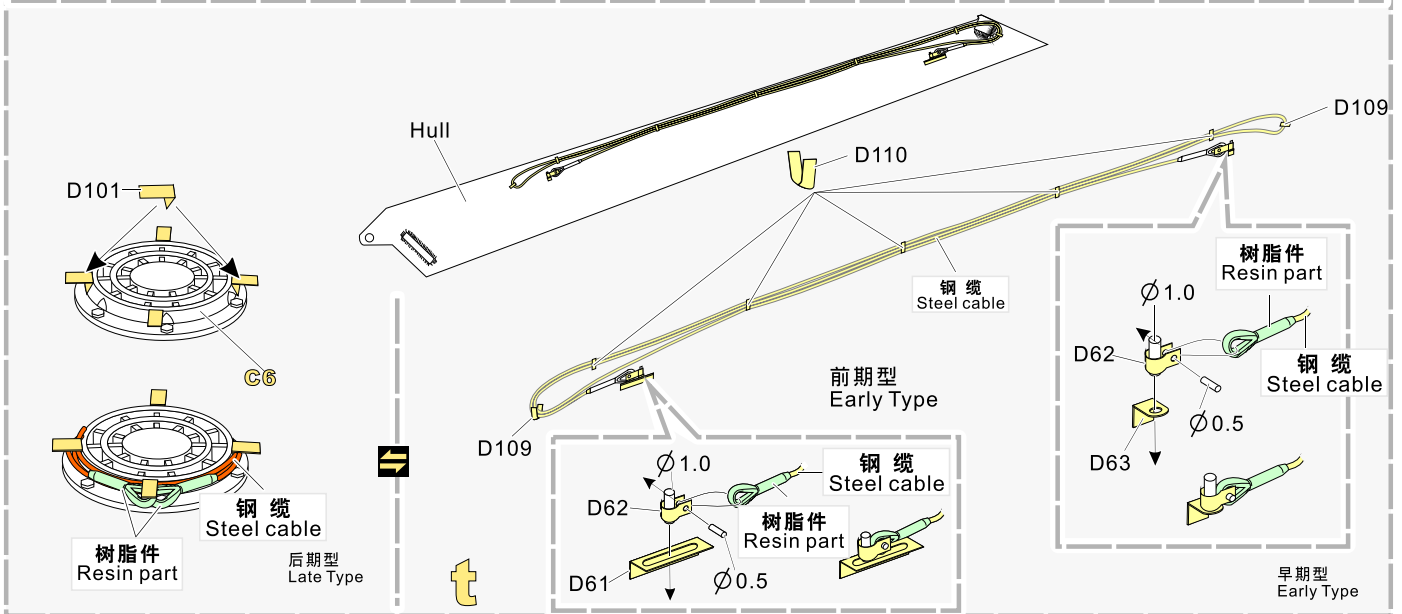
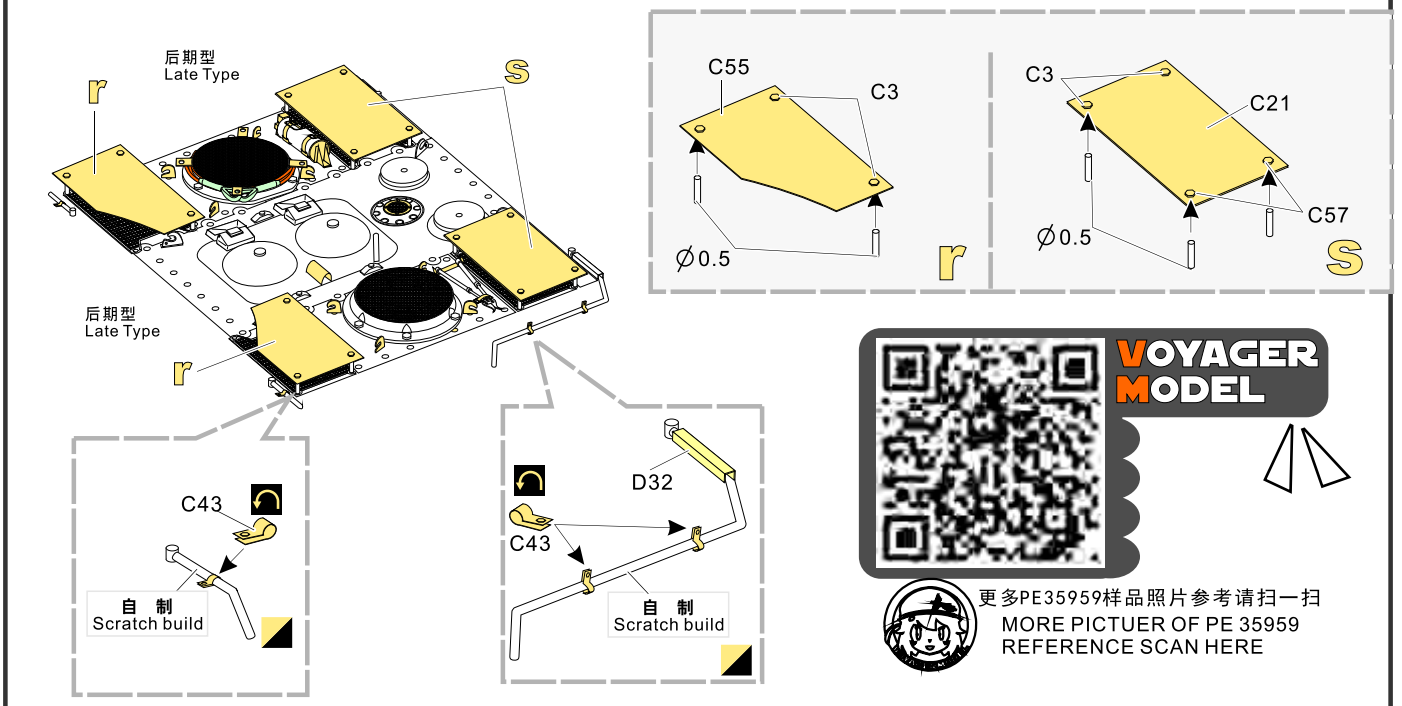
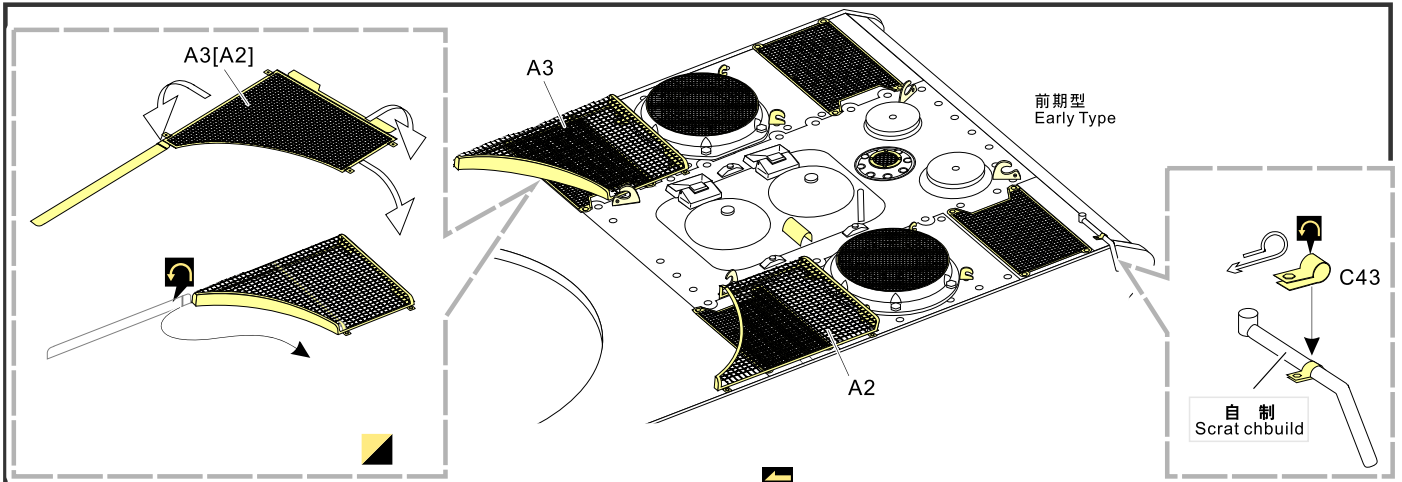
后挡泥板的正面零件安装
Installation of parts on the
up side rear fender



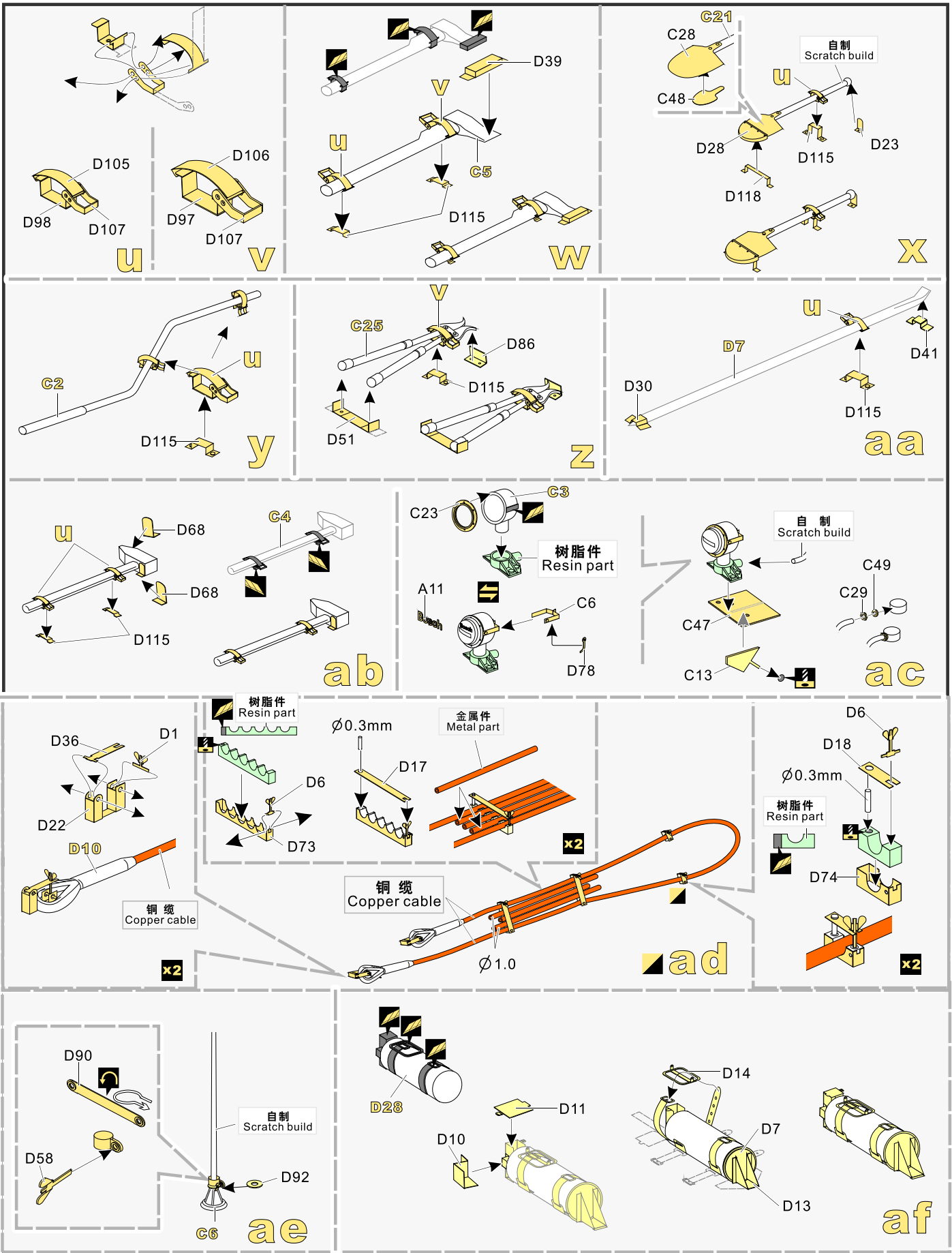
1/35 MILITARY MINIATURE VEHICLE UPGRADE SERIES PE35959



1/35 MILITARY MINIATURE VEHICLE UPGRADE SERIES PE35959



1/35 MILITARY MINIATURE VEHICLE UPGRADE SERIES PE35959



1/35 MILITARY MINIATURE VEHICLE UPGRADE SERIES PE35959

