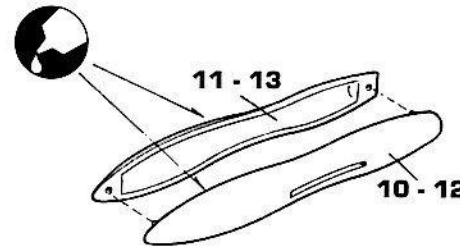
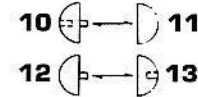
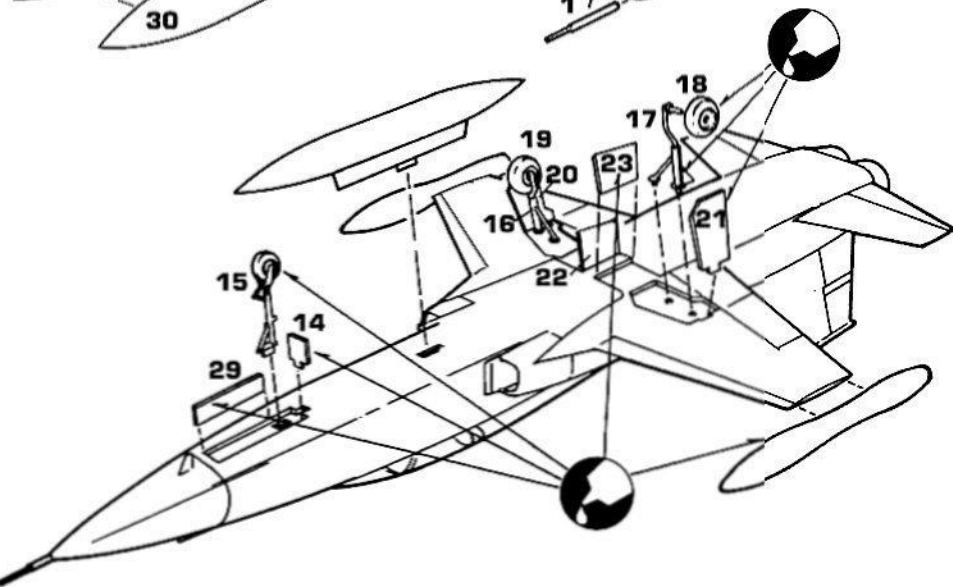
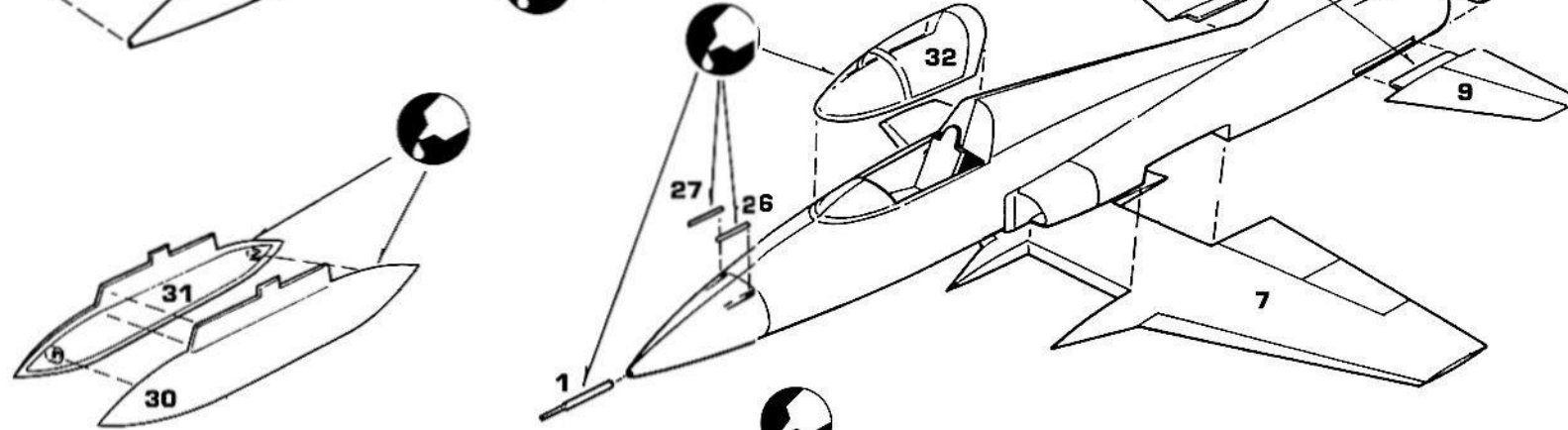


YAPIŞTIRIN  
GLUE  
KLEBEN

KESİN  
CUT  
SCHNEIDEN



PRINTED IN TURKEY



PM  
MODEL  
PM-203

# NORTHROP FREEDOM F-5A FIGHTER

MODEL KIT / MODELLE REDUIT / MODELL BAUSATZ  
1/72 ÖLÇEK / SCALE / MASSTAB / ECHELLE

F-5A Freedom Fighter, ABD hava kuvvetleri tarafından müttefik ülkelere ihraç etmek için ucuza mal olan, hafif bir avcı uçağı olarak geliştirilmiştir. Dünyanın her yerinde görev yapan F-5A'lar 14 ülke tarafından kullanılmış, Kanada, İspanya ve Hollanda tarafından da üretilmiştir. F-5A'lar Vietnam'da savaşa katılmış, ve orada ele geçirilen bir miktar Kuzey Vietnam Hava Kuvvetleri tarafından da kullanılmıştır.

## TEKNİK ÖZELLİKLERİ:

Motor	: 2 x GE J85-GE-13	Tam Yüklü Ağırlık	: 9,250 kg
	Turbojet	Maximum Sürat	: 1,572 km/s
Max. İtiş Gücü	: 1233 kg.	Uçuş Tavanı	: 15,250 mt.
Kanat Genişliği	: 7.70 mt.	Uçuş Menzili	: 925 km.
Gövde Boyu	: 14.38 mt.	Silahları	: 2 x 20 mm. top
Yükseklik	: 4.01 mt.		roket ve bomba

The F-5A Freedom Fighter, was developed by the USAF as a low cost, light weight fighter for export to friendly nations. F-5As have seen service around the world being flown by some fourteen countries and the aircraft was built in Canada, Spain and Holland. F-5As saw combat in Vietnam and a number were captured and used by the North Vietnamese Air Force.

## SPECIFICATION:

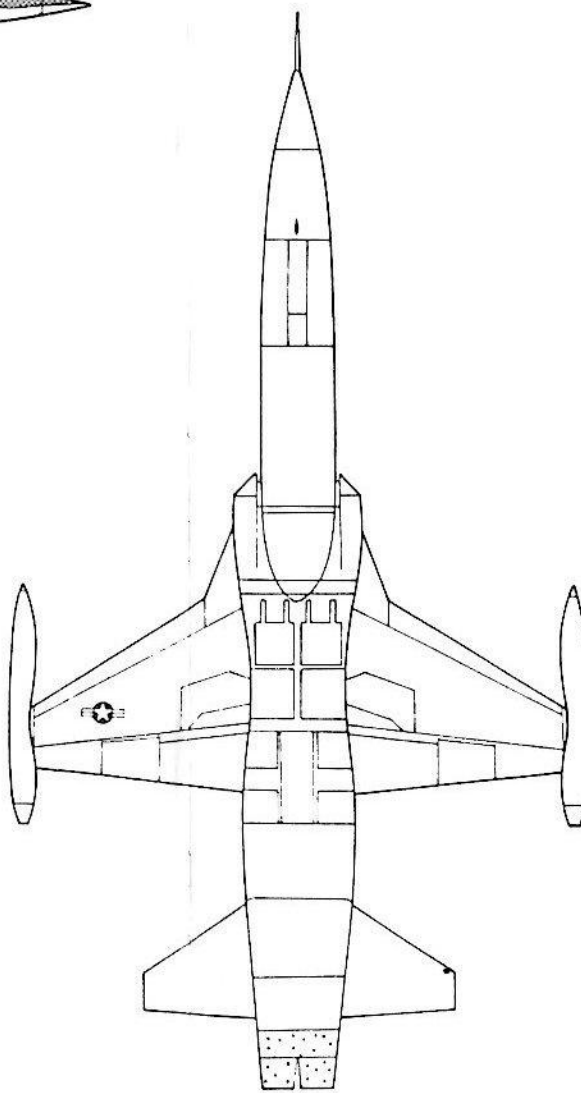
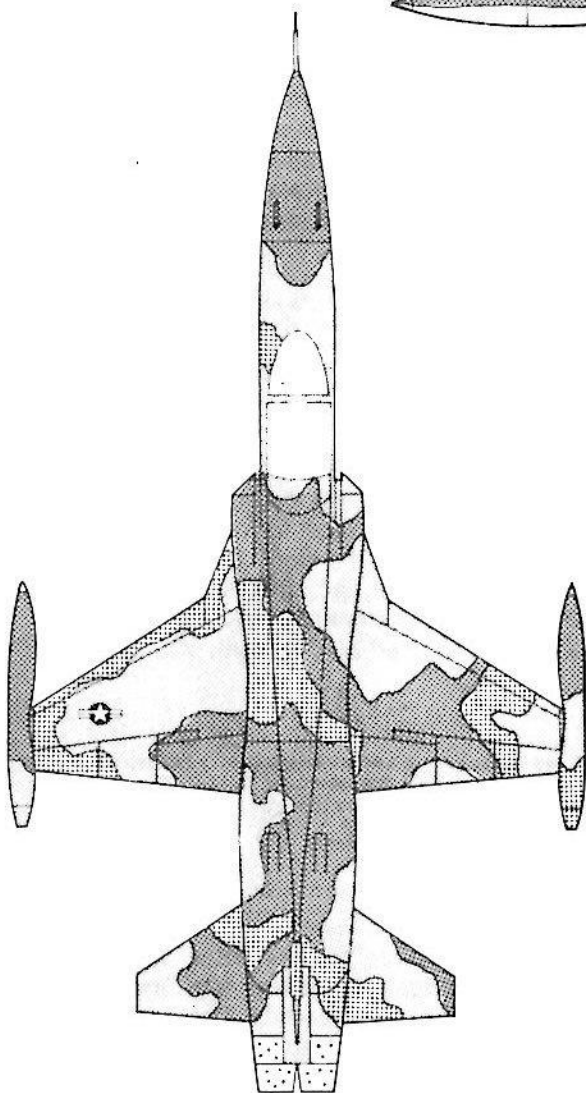
Engine	: 2 x GE J85-GE-13	Loaded weight	: 20,390 lb.
	Turbojet	Max. speed	: 977 mph.
Max. Thrust	: 2720 lb.	Ceiling	: 50,000 ft.
Wing Span	: 25 ft. 3 inch	Range	: 575 mls.
Length	: 47 ft. 2 inch	Armament	: 2 x 20 mm. cannon
Height	: 13 ft. 2 inch		rocket & bomb

Der F-5A Freedom Fighter wurde von der USAF als ein günstiges und leichtgewichtiges Kampfflugzeug für den Export an befreundete Nationen entwickelt. Der F-5A wurde in Kanada, Spanien und Holland gebaut und von 14 Nationen in Dienst gestellt. Einige F-5A wurden bei Einsätzen in Vietnam erbeutet und von der vietnamesischen Luftwaffe verwendet.

## TECHNISCHE DATEN:

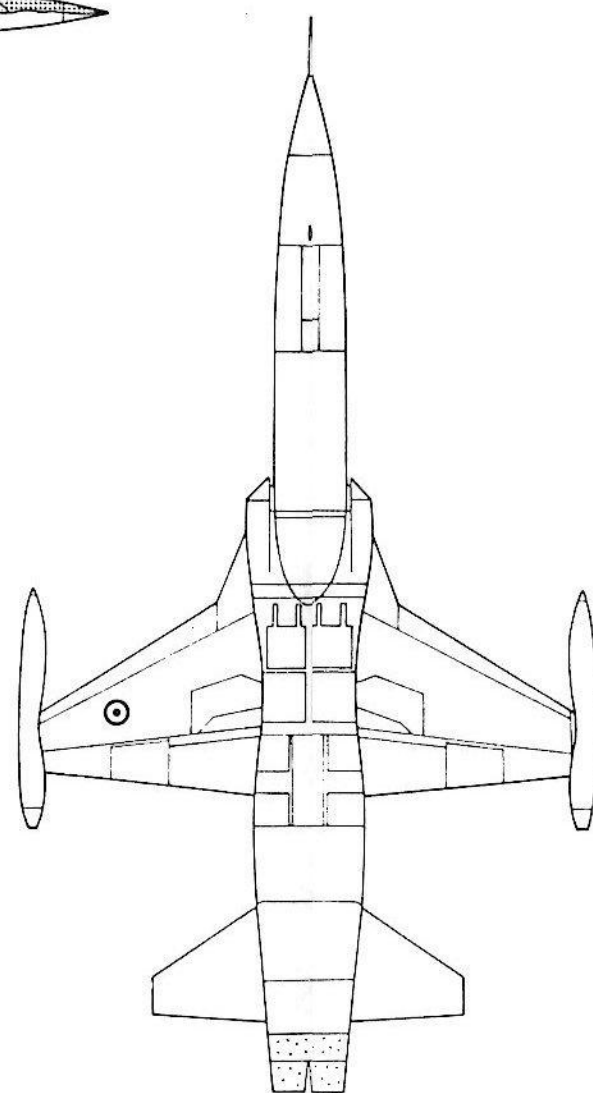
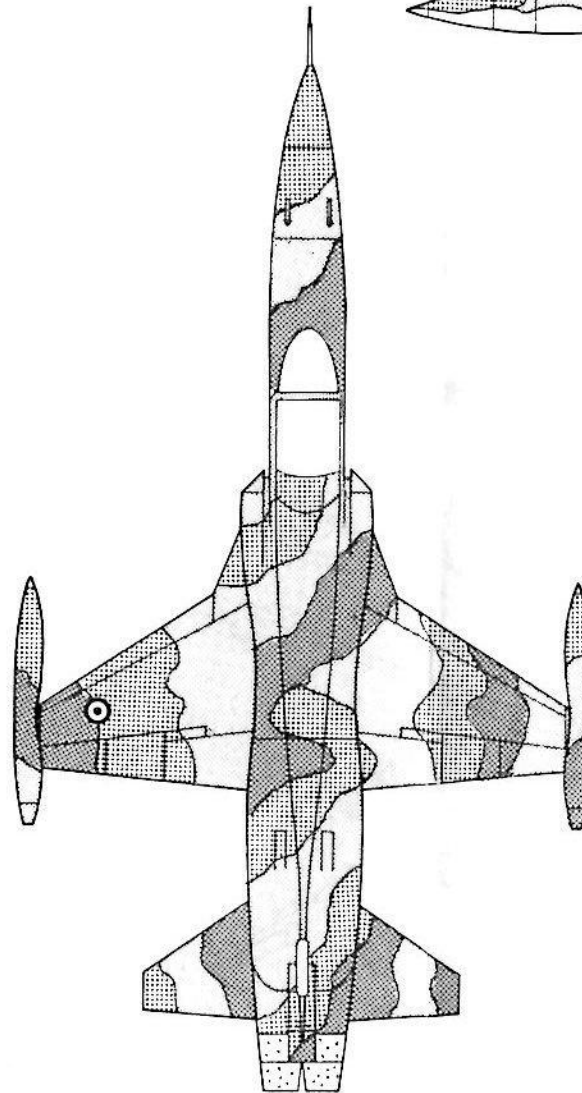
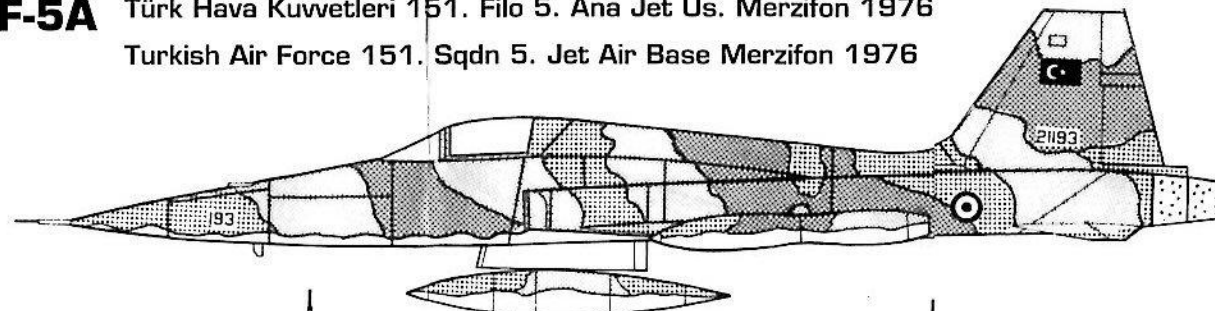
Triebwerk	: 2 x GE J85-GE-13	Abfluggewicht	: 9,250 kg
	Turbojet	Höchstgeschwindigkeit	: 1,572 km/s
Startschub	: 1233 kp.	Dienstgipfelhöhe	: 15,250 m.
Spannweite	: 7.70 mt.	Reichweite	: 925 km.
Länge	: 14.38 mt.	Bewaffnung	: 2 x 20
mm.kanonen			raketen, bombe
Höhe	: 4.01 mt.		

**F-5A** USAF 4503. Taktik Av Filosu Vietnam 1966  
 USAF 4503rd Tactical Fighter Sqdn. Vietnam 1966



	TÜRKÇE	ENGLISH	GERMAN	FS	HUMBROL AUTHENTIC	HUMBROL	REVELL	XTRA COLOR	MOLAK	MODEL MASTER	POLLYS	GUNZE SANGYO	TAMIYA
	TOPRAK	TAN	HELL BRAUN	30219	HU9	118	382	X102	FSC-1	1742	816	H-310	
	KOYU YEŞİL	DARK GREEN	DUNKEL GRÜN	34079	HU7	116	363	X110	FSC-8	1710	835	H-309	XF-58
	YEŞİL	GREEN	HELL GRÜN	34102	HU8	117	361	X116	FSC-2	1713	834	H-303	

**F-5A** Türk Hava Kuvvetleri 151. Filo 5. Ana Jet Üs. Merzifon 1976  
 Turkish Air Force 151. Sqdn 5. Jet Air Base Merzifon 1976



	TÜRKÇE	ENGLISH	GERMAN	FS	HUMBROL AUTHENTIC	HUMBROL	REVELL	XTRA COLOR	MOLAK	MODEL MASTER	POLLYS	GUNZE SANGYO	TAMIYA
	GRİ	GRAY	TARN GRAU	36622	HU10	28	-	X140	FSC-7	1733	817	H-311	XF-55
	YANIK METAL	GUN METAL	METALL GRAU	-	MC-23	53	91	X506	25	1780	-	H-76	X10
	AÇIK GRİ	LIGHT GRAY	MÖVEN GRAU	26440	USN5	129 183	70 372	X137	FSC-6	1730	PCA825	H-325	-