

Clear Prop!

ADVANCED



F-86A

1:72

model # CP72054



scale model kit

SPAN: 157 mm



LENGTH: 160 mm



NUMBER OF PARTS: 190 pcs

1 stages of assembly	? optional
A variants of assembly	glue by super glue
A1 part number	do not glue
fill with putty	make a hole
1 apply decals	detach with knife
apply the adhesive mask	paint
bend	N repeat the operation N times

Role	Single-seat day fighter
National origin	United States of America
Manufacturer	North American Aviation
First flight	20 May 1948
Primary users	United States Air Force, United States Air National Guard
Produced	1948 to 1950
Number built	553

The North American F-86A was a single-engined jet fighter built at Inglewood, California for the United States Air Force. It was the first American swept-wing fighter to see service, developed from the XP-86 prototype variant. But though the XP-86 (which first flew in October 1947) was powered by the J35 engine with a thrust of 1815 kg, North American Aviation managed to incorporate the 2200 kg thrust J47 powerplant into the F-86A, which flew just seven months after the prototype. The F-86A was capable of breaking the sound barrier in a steep dive.

The first active-duty F-86As entered service with the 1st Fighter Group at March AFB in California during February 1949. A second unit, the 4th Fighter Group at Langley AFB in Virginia, commenced operating the F-86A in June 1949 and ultimately six full Fighter Groups with a nominal strength of 75 aircraft each operated the F-86A. Four other independent USAF squadrons and a training wing also operated the type; early in 1949 the F-86 was named "Sabre".

Duncan Curtis

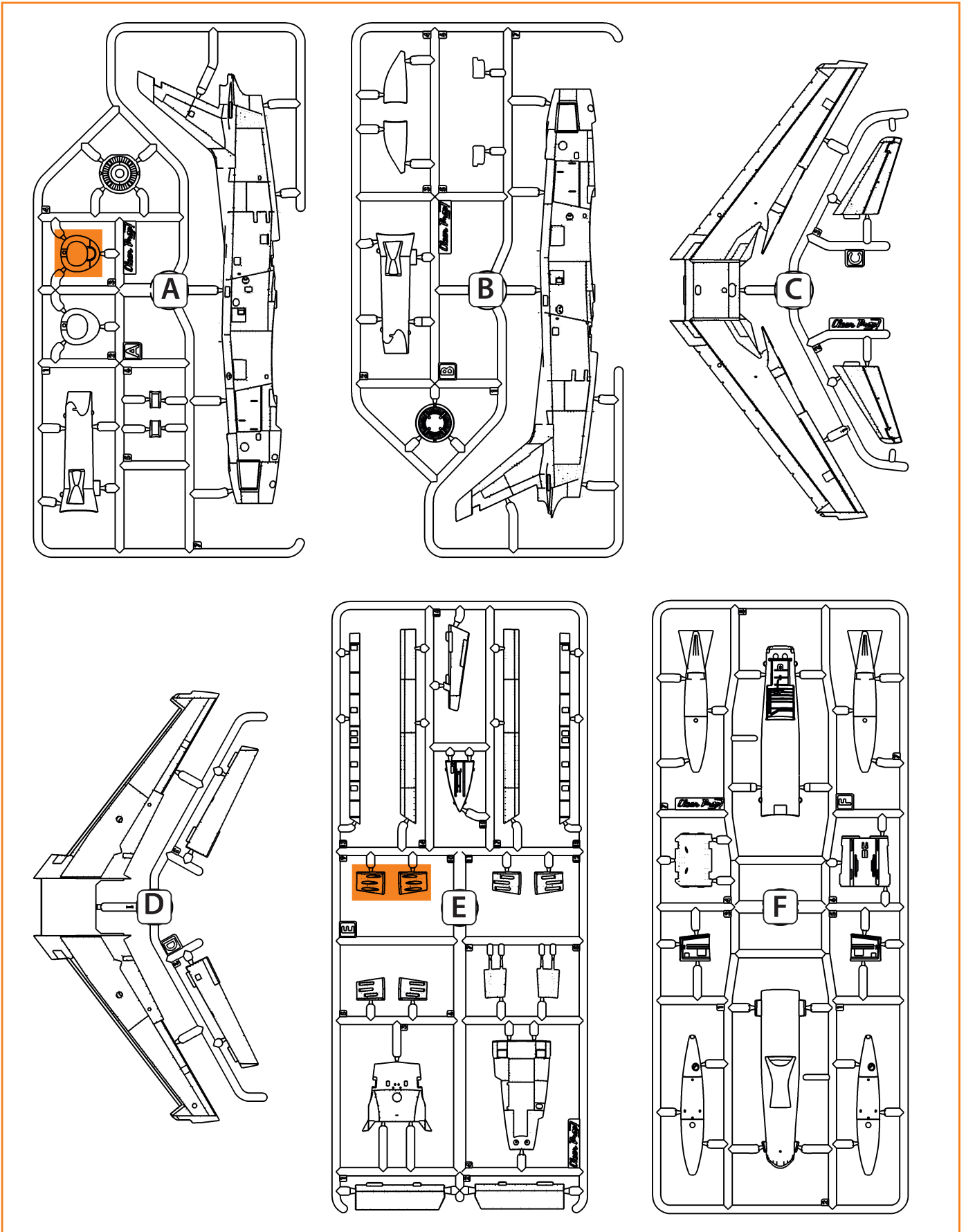
REQUIRED PAINTS

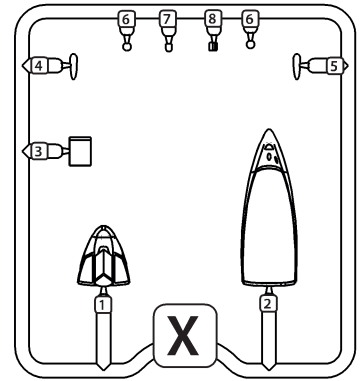
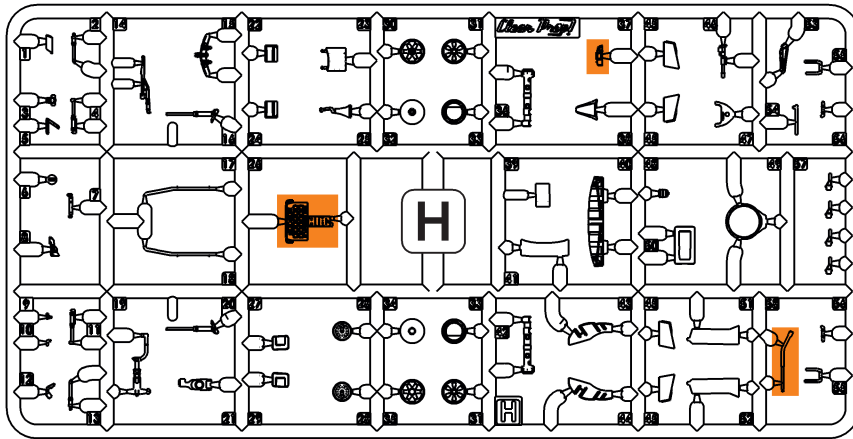
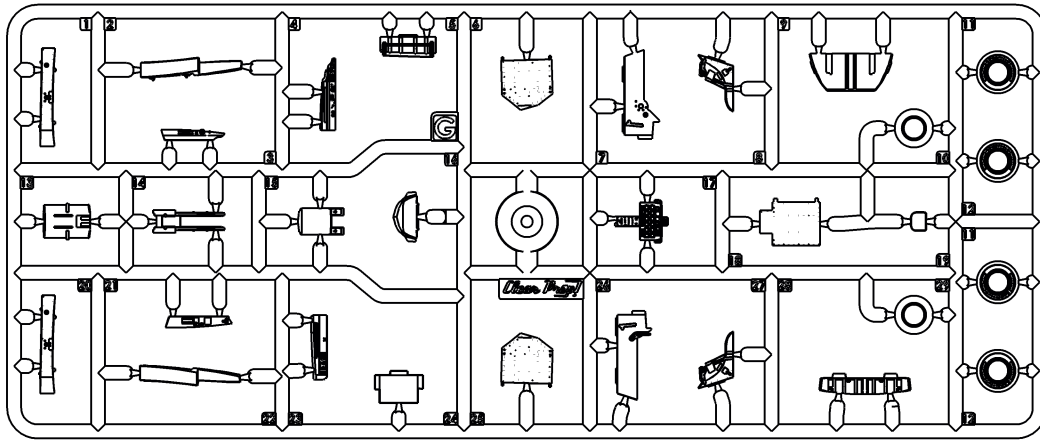
A MR. COLOR MC211 A.MIG-0194 ALUMINIUM	B MR. COLOR MC203 A.MIG-0191 POLISHED STEEL	C MR. COLOR 33 A.MIG-0046 BLACK MATT	D MR. COLOR 137 A.MIG-0033 RUBBER & TIRES	E MR. COLOR 61 A.MIG-0187 EXHAUST BURNT IRON METALLIC	F MR. COLOR 78 A.MIG-0045 GUN METAL	G MR. COLOR 351 A.MIG-0220 ZINC-CHROMATE	H MR. COLOR 11 A.MIG-0211 MEDIUM GREY	I MR. COLOR 328 A.MIG-0123 BLUE
J MR. COLOR 47 A.MIG-0093 RED CRYSTAL	K MR. COLOR 138 A.MIG-0092 GREEN CRYSTAL	L MR. COLOR 313 A.MIG-0200 MIDDLESTONE	M MR. COLOR 4 A.MIG-0048 YELLOW					



AMMO
by MIG Jimenez

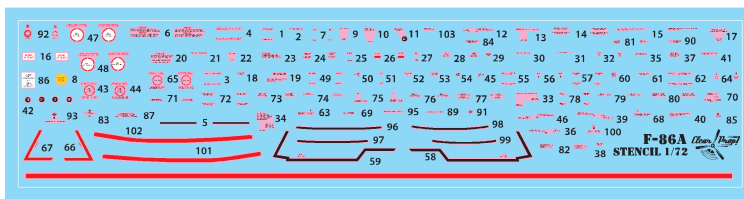
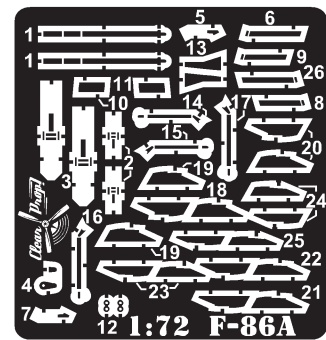
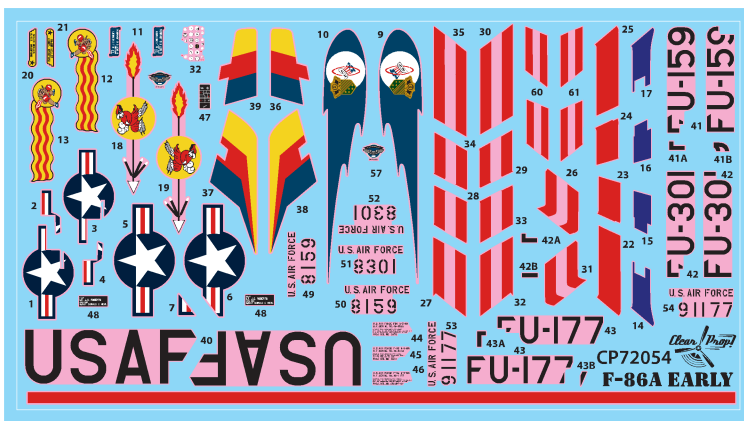
THIS MODEL IS PRODUCED FOR EXPERIENCED MODELERS OVER 14 YEARS

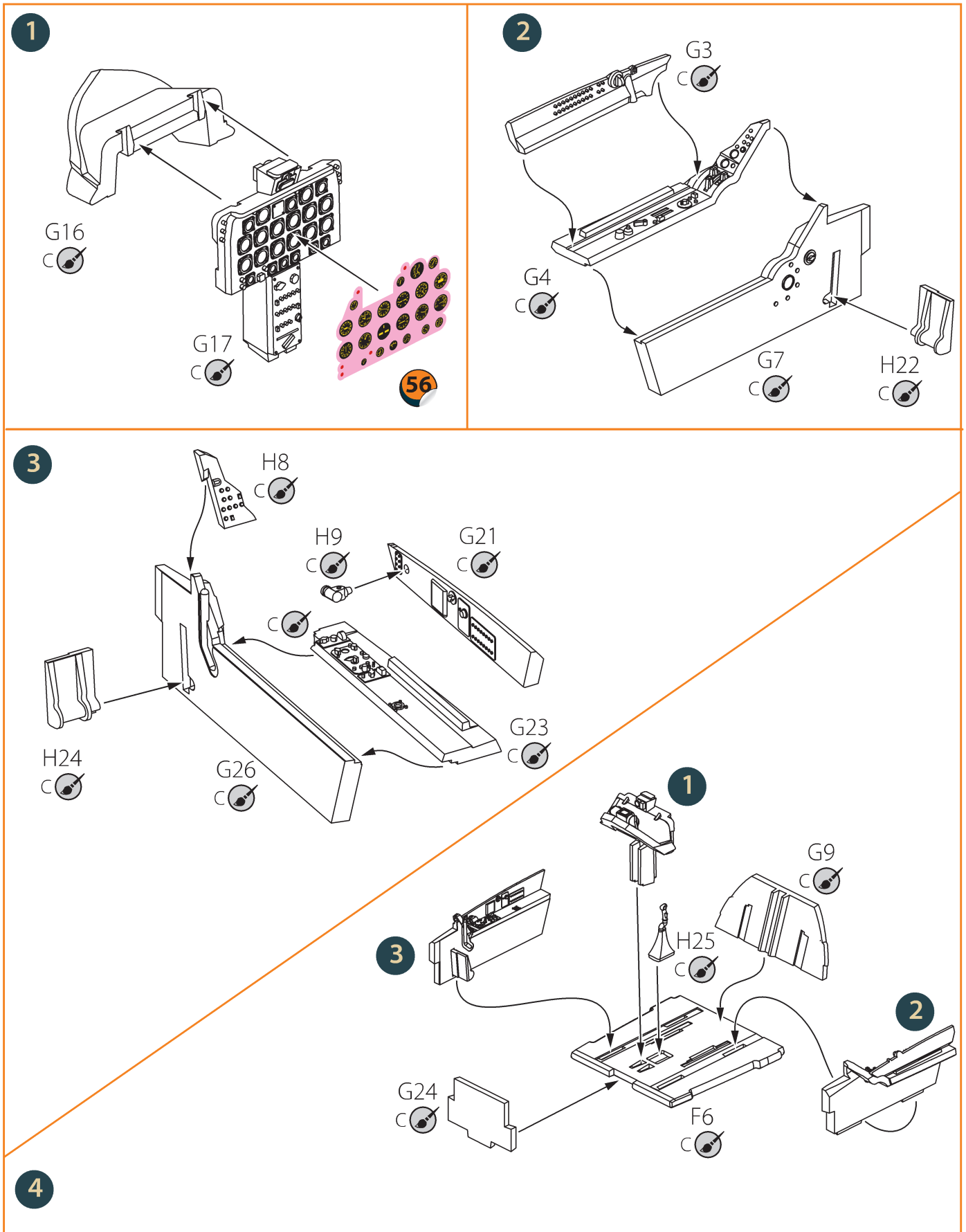


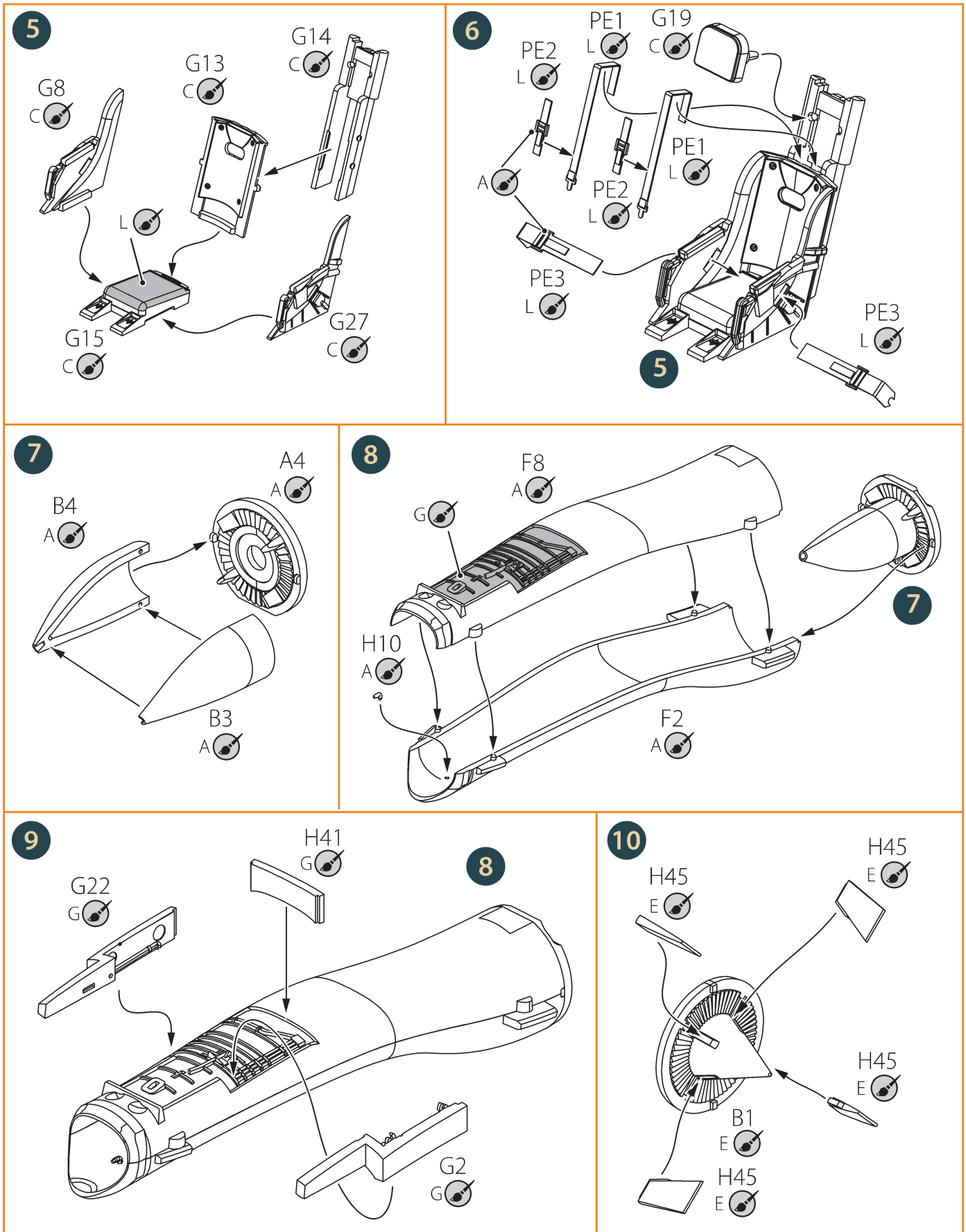


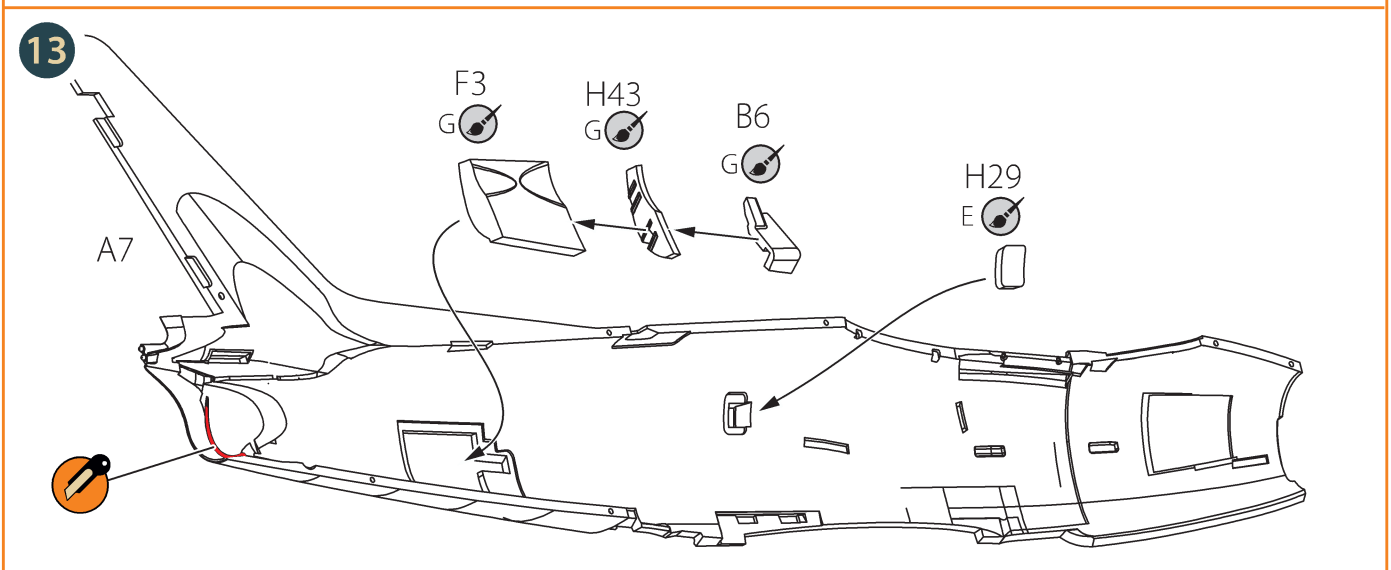
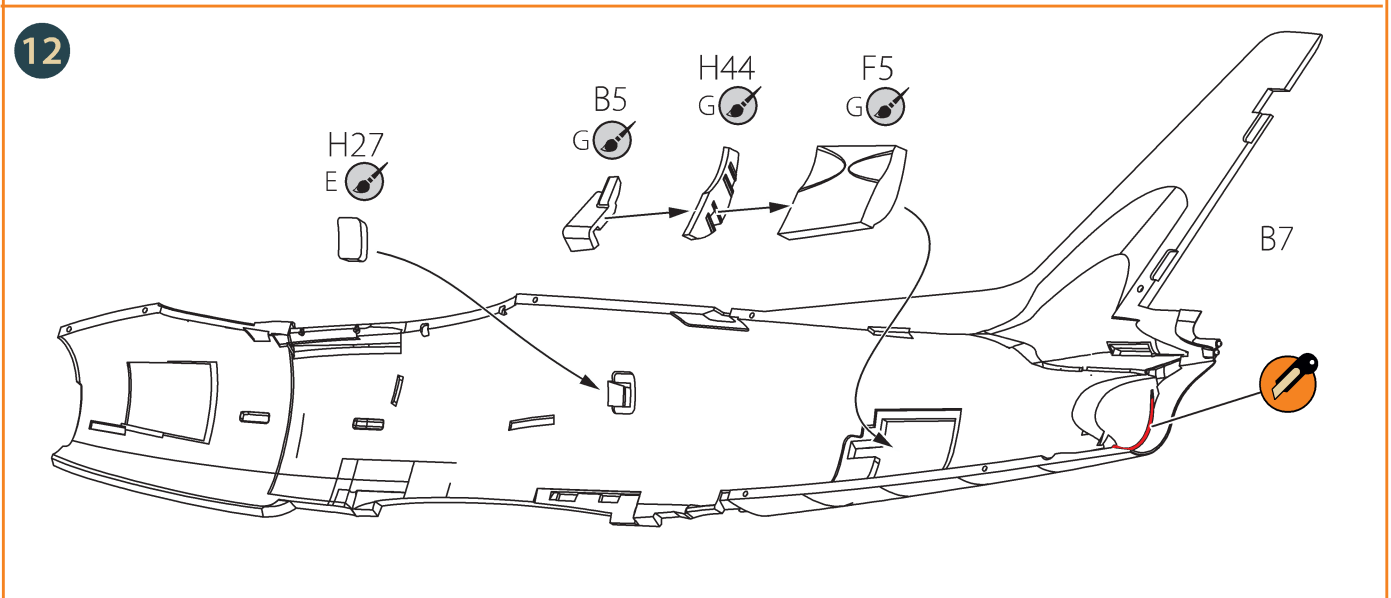
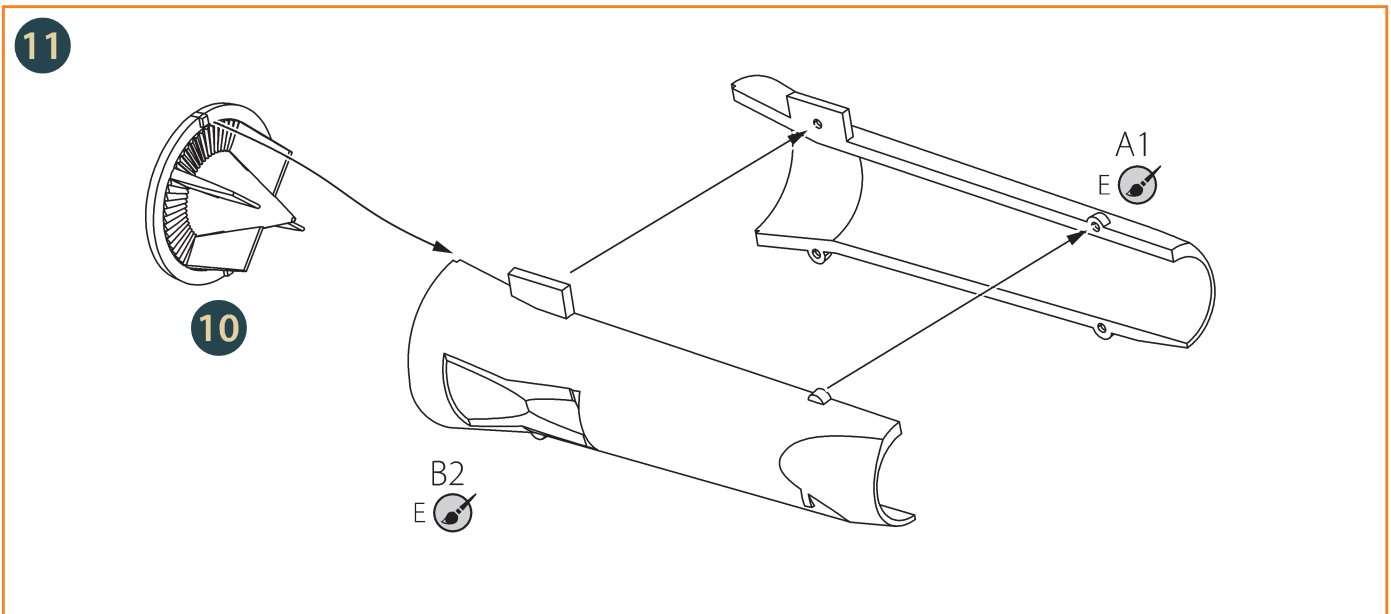
DECAL SHEET

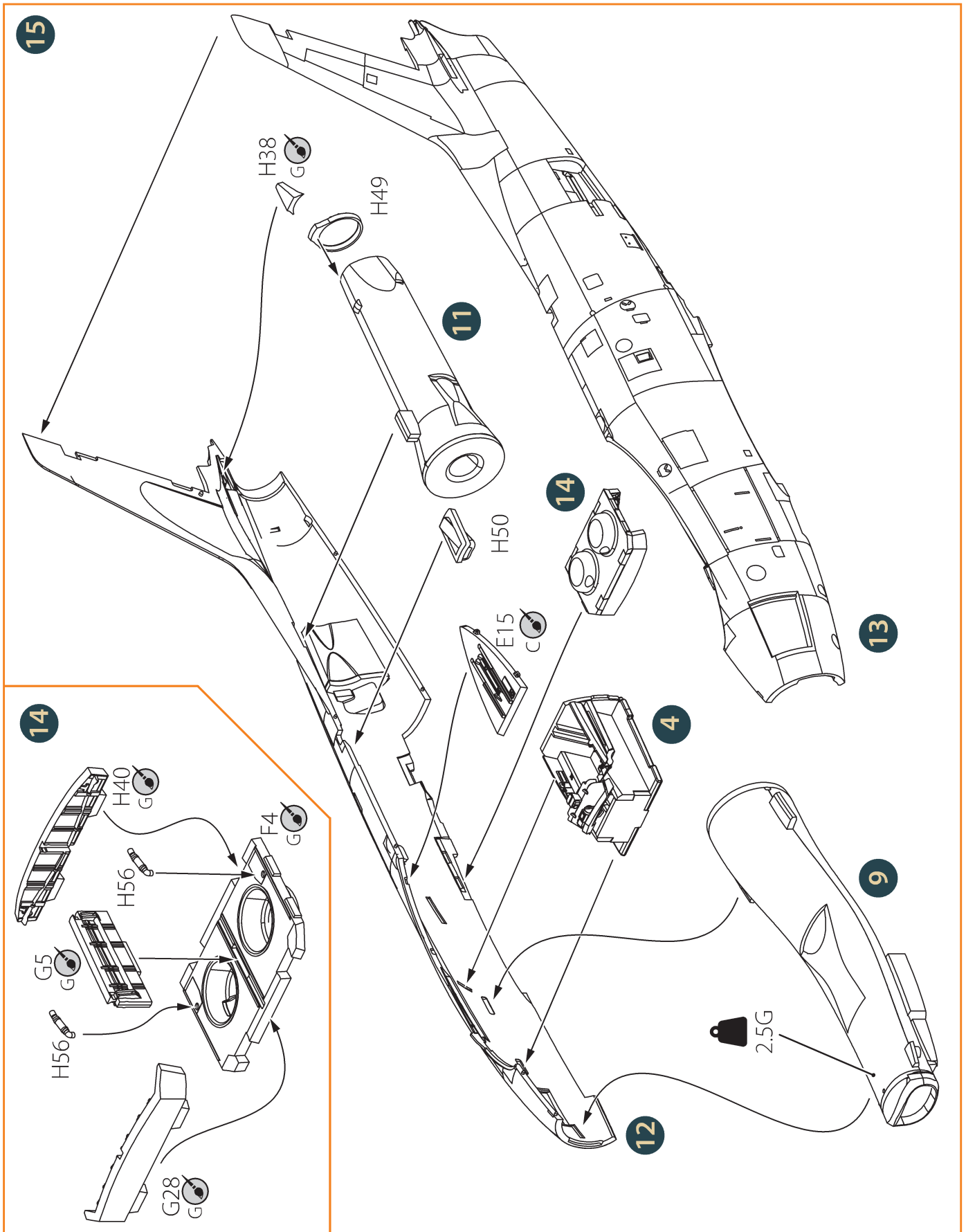
PHOTOETCHED PARTS



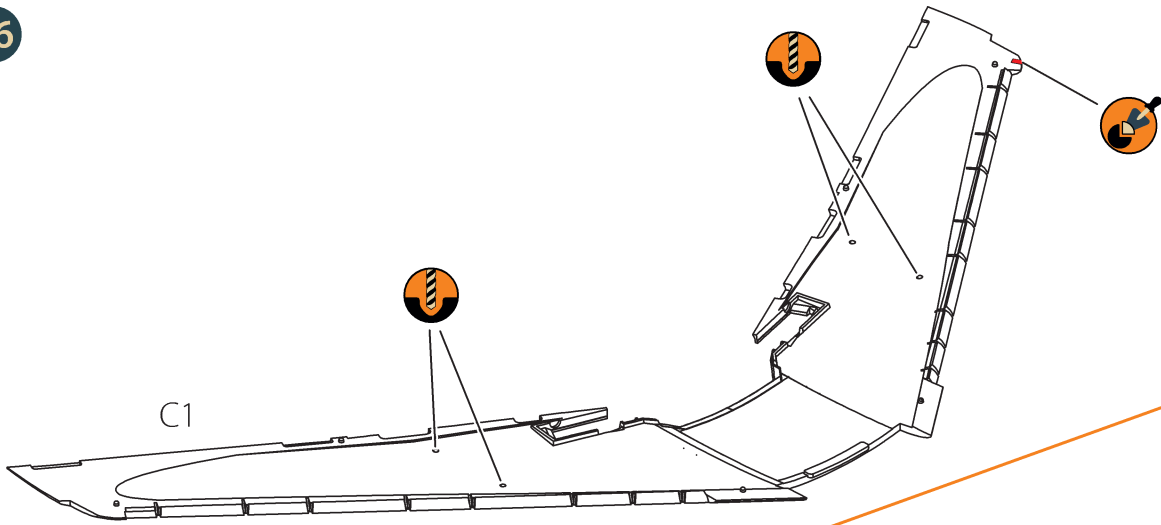




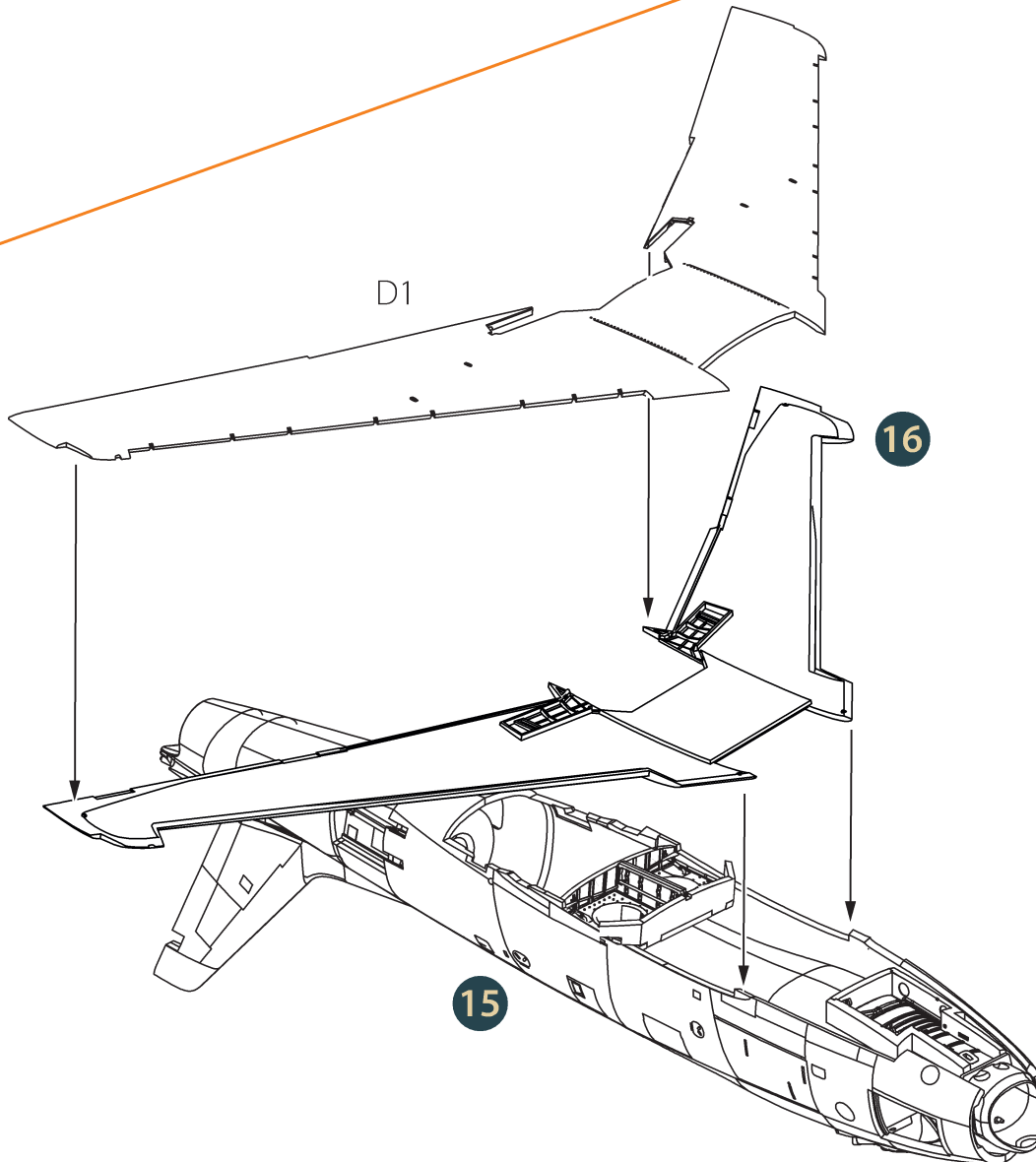


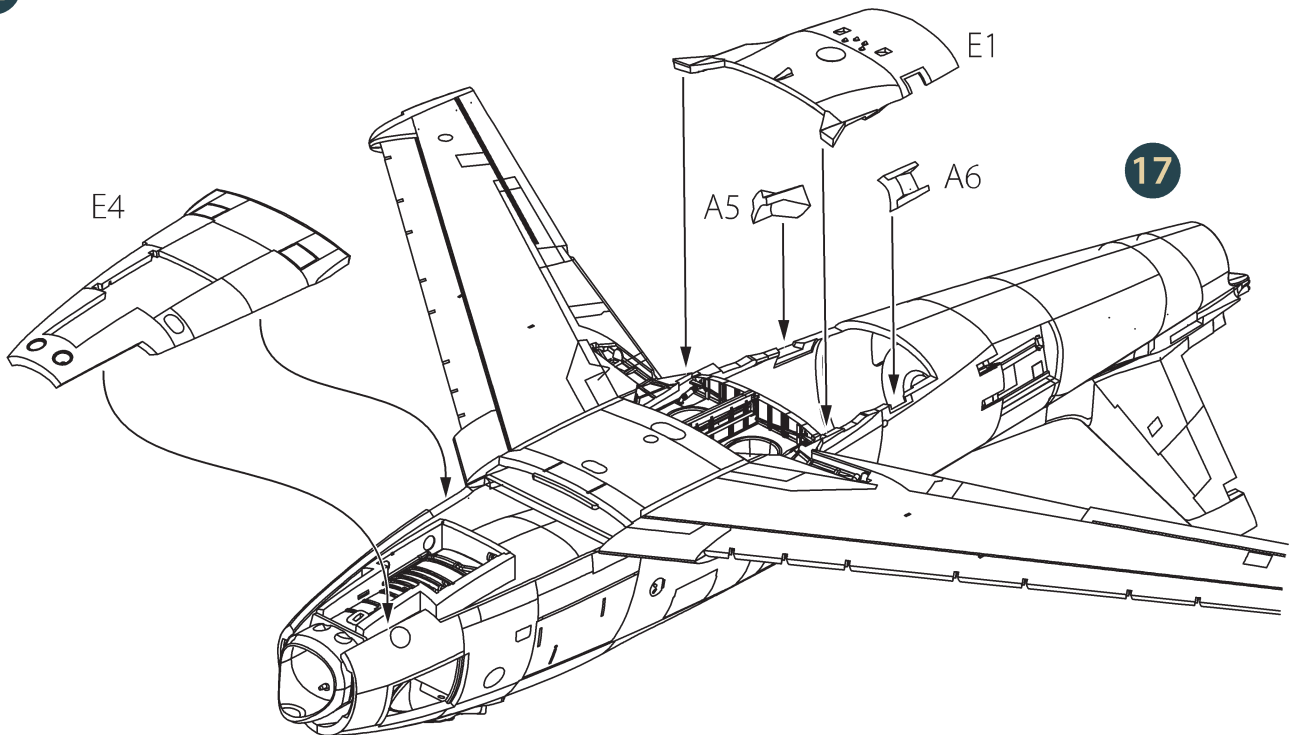
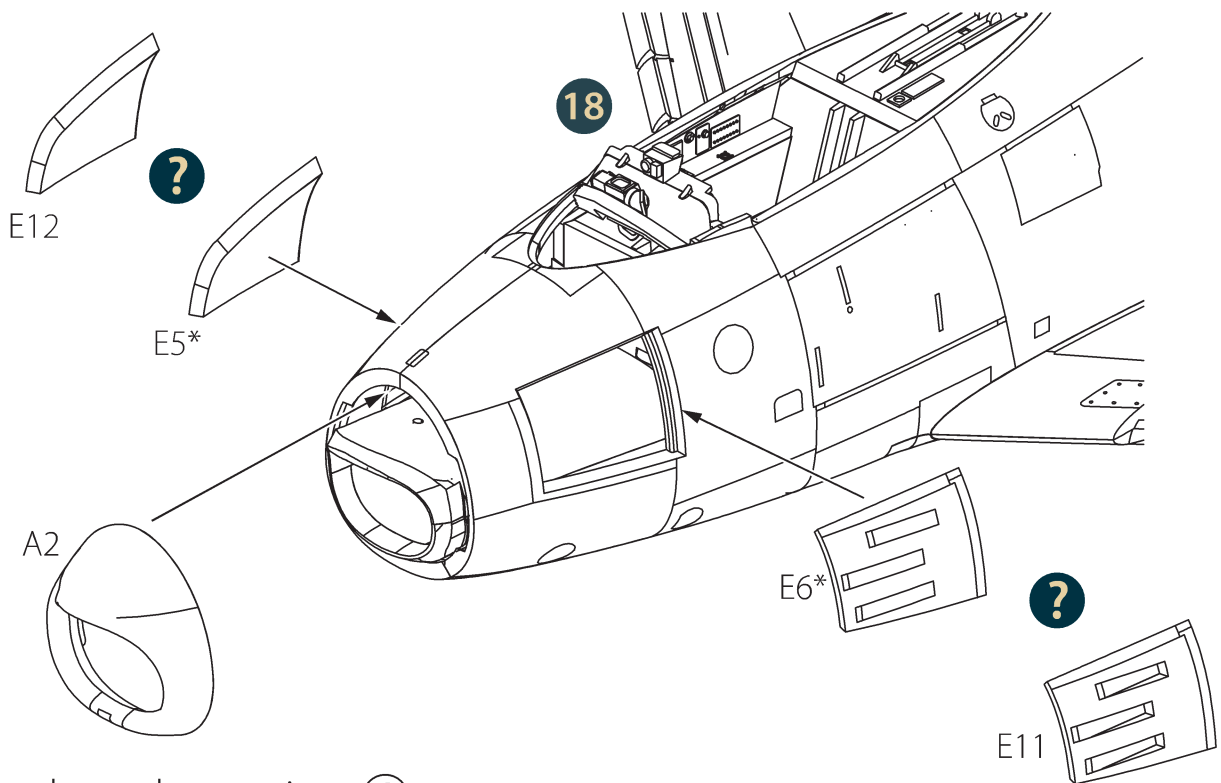


16



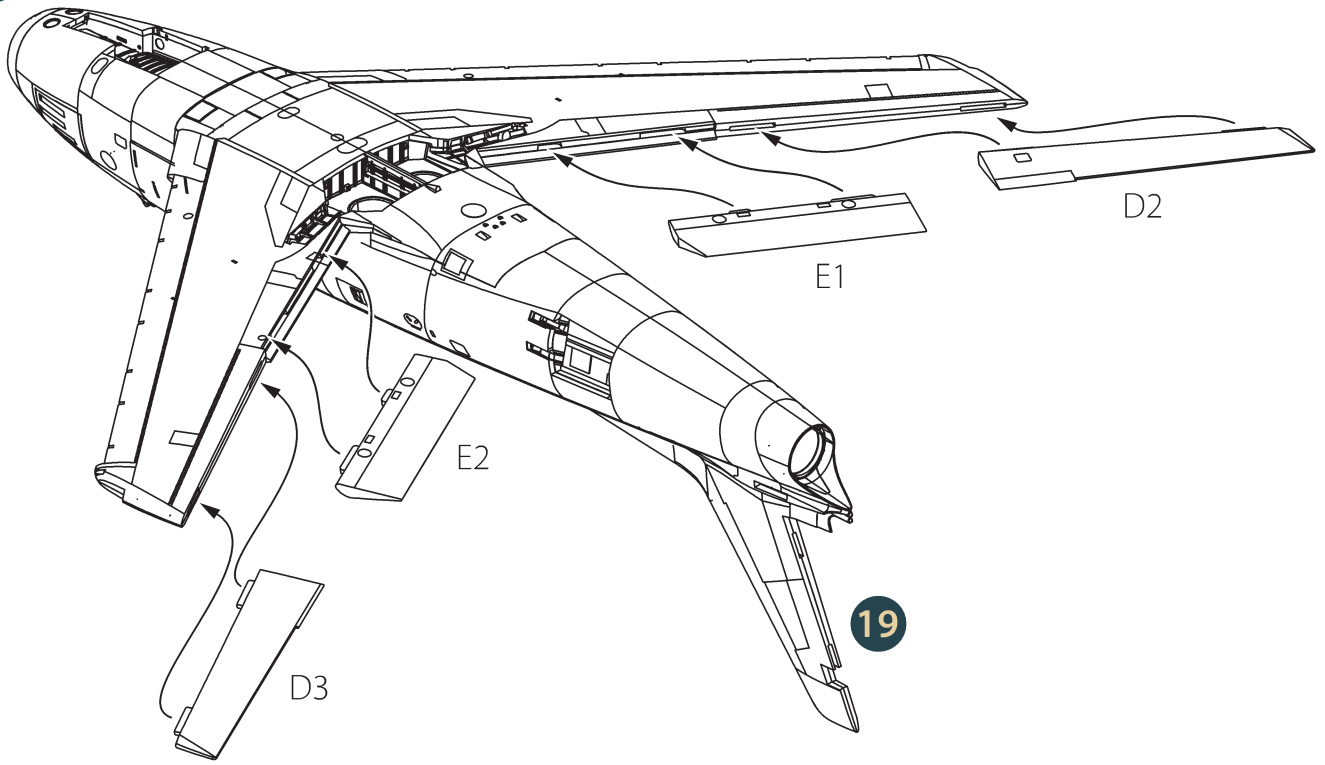
17



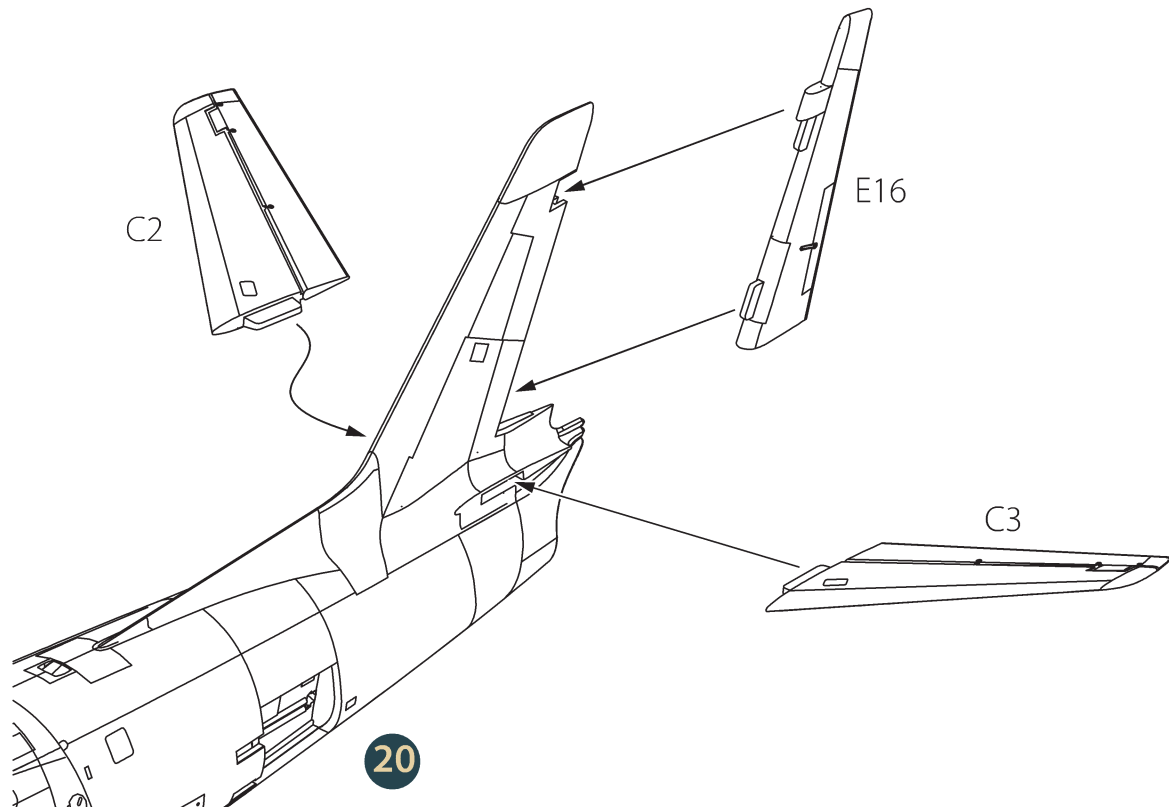
18

19


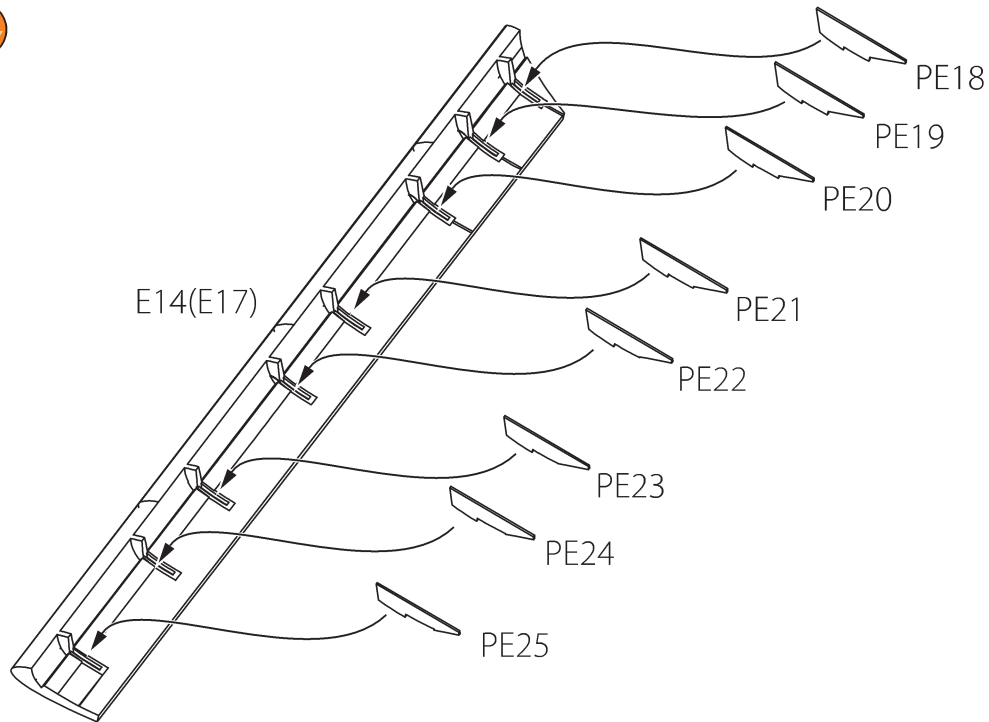
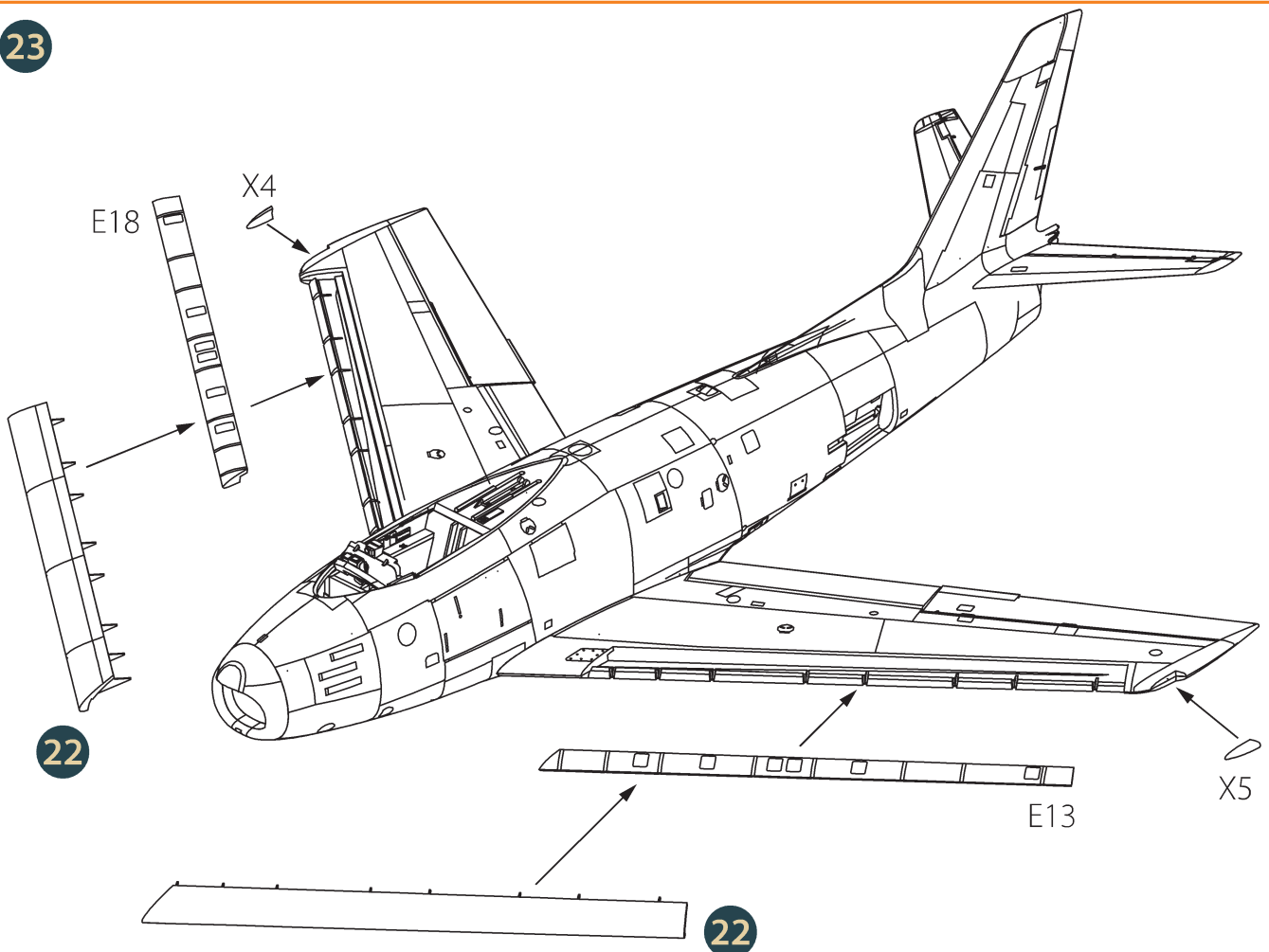
*- for the colour variant ①

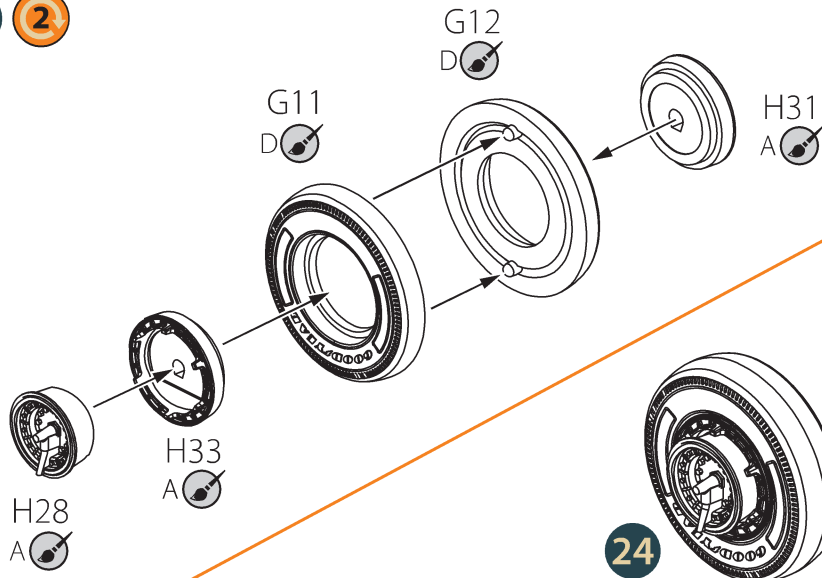
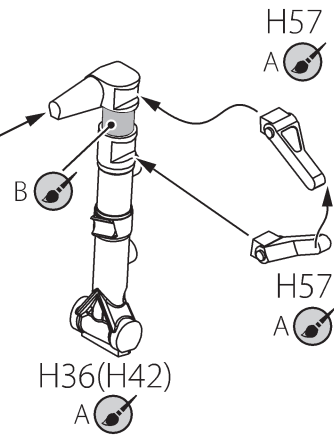
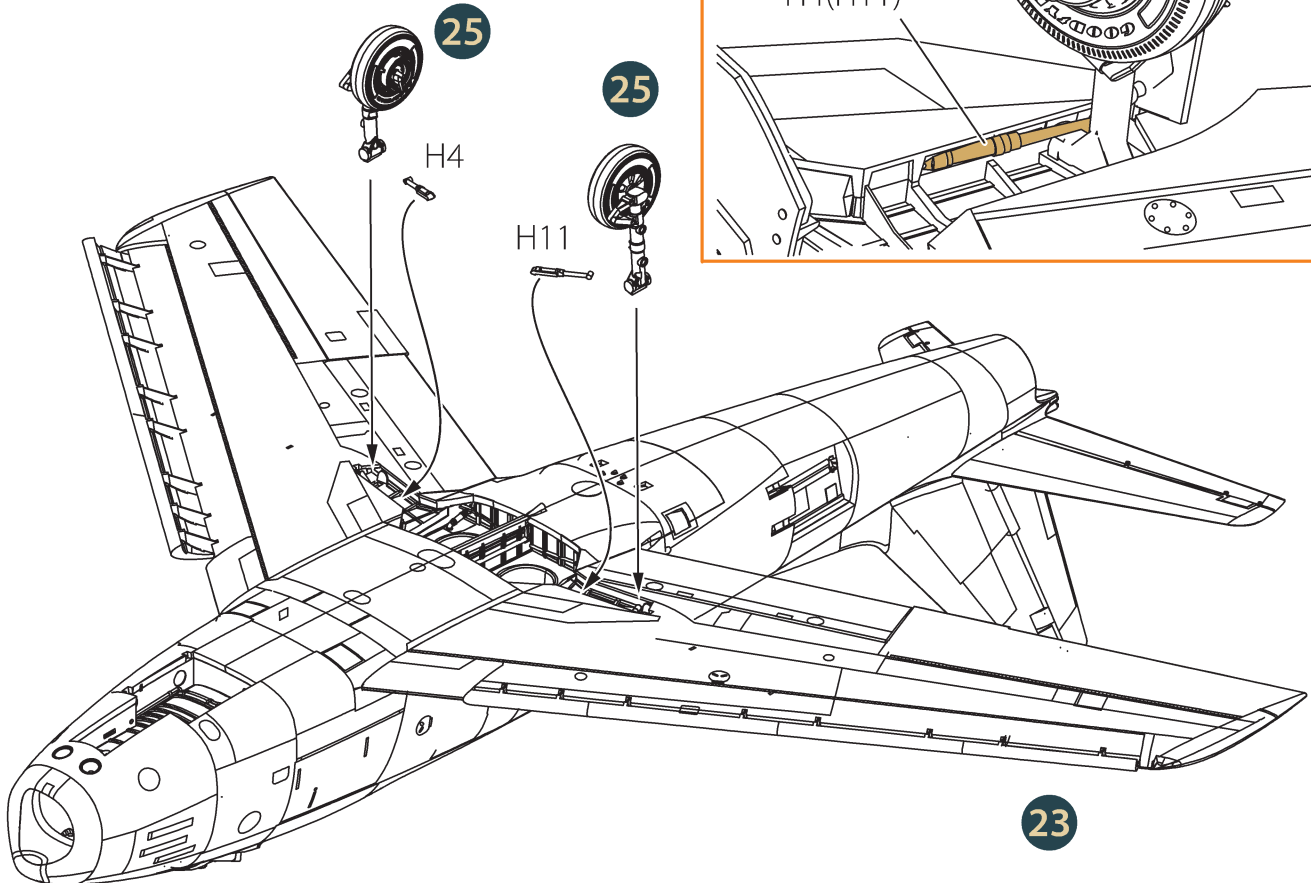
20

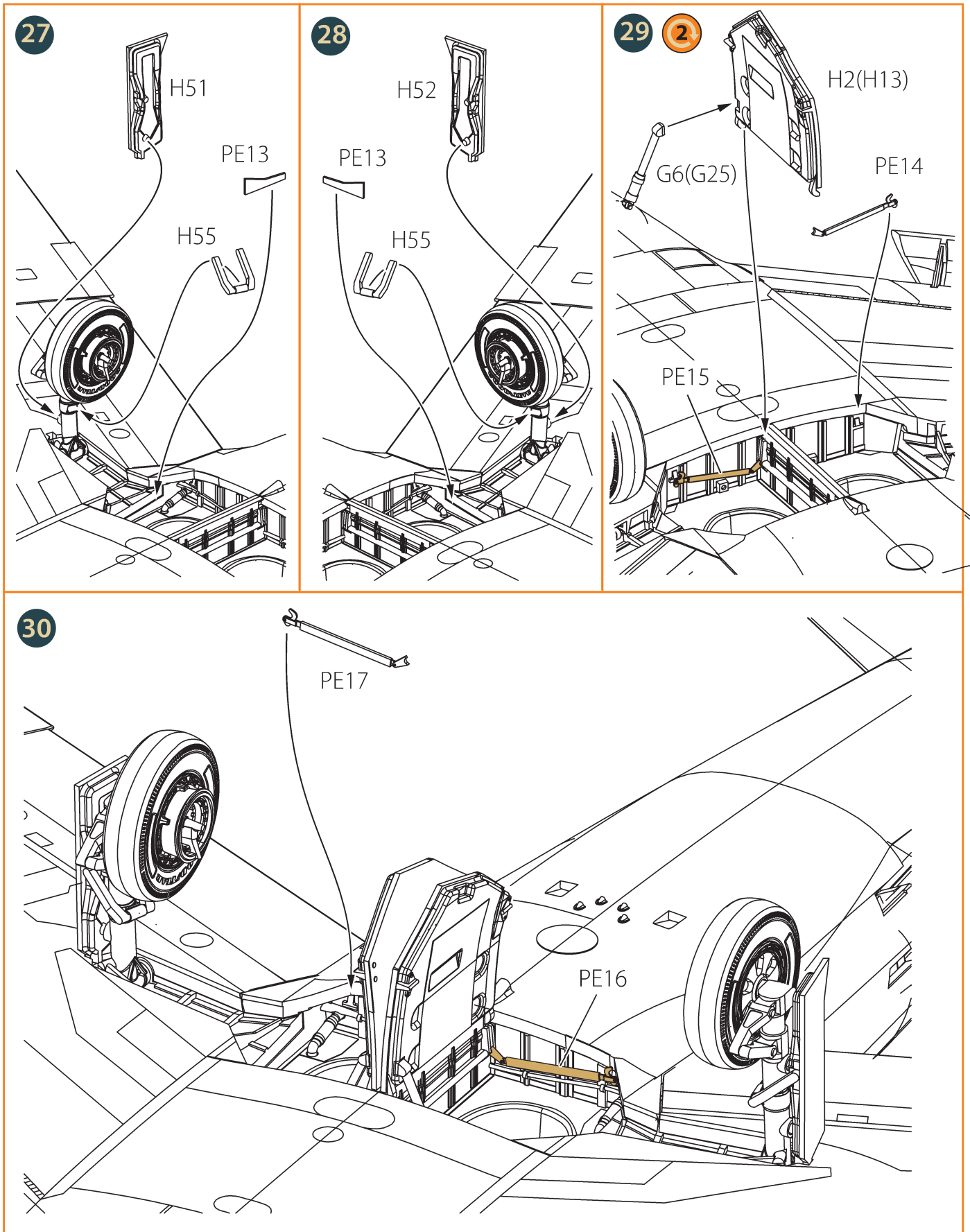


21

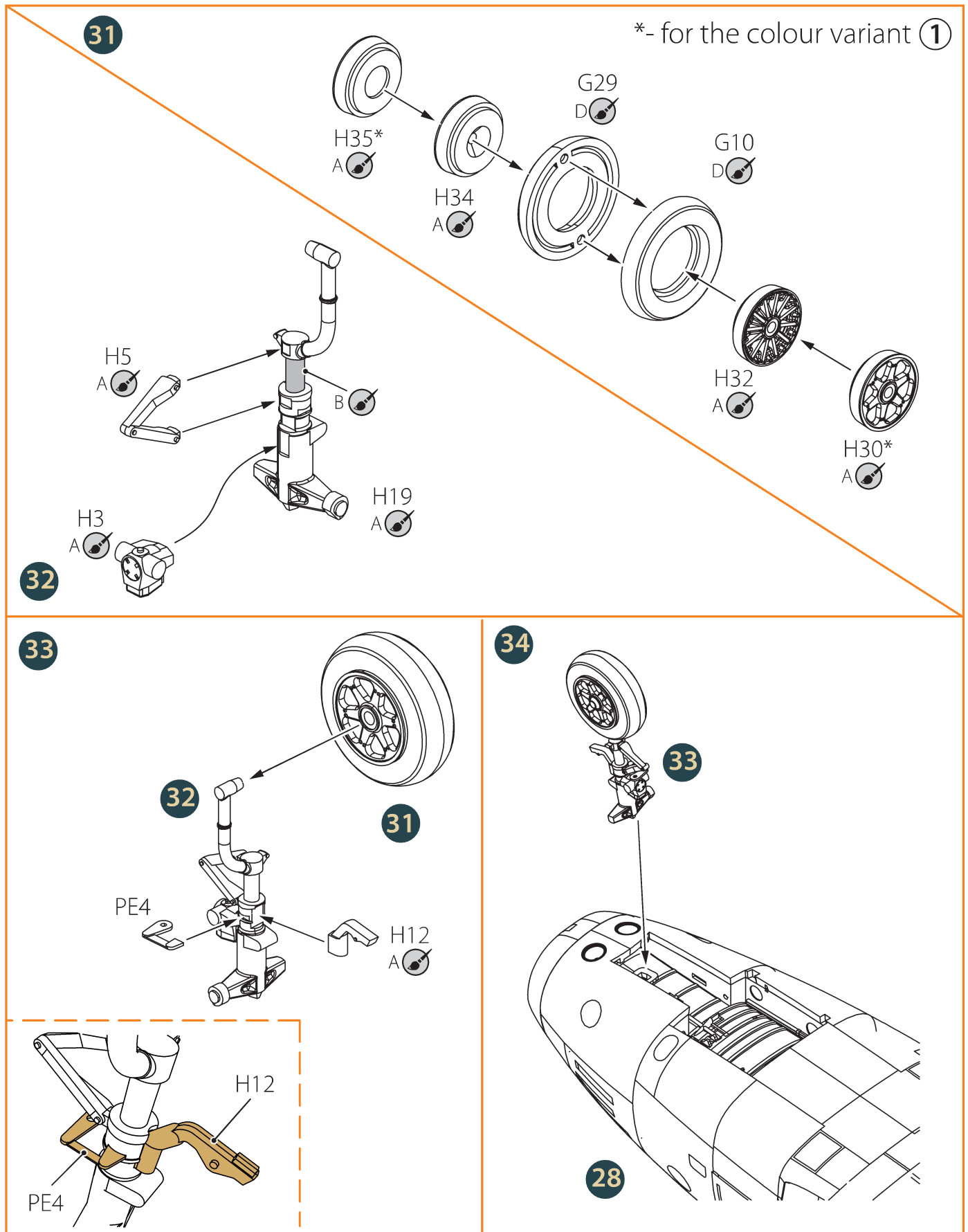


22 **2****23**

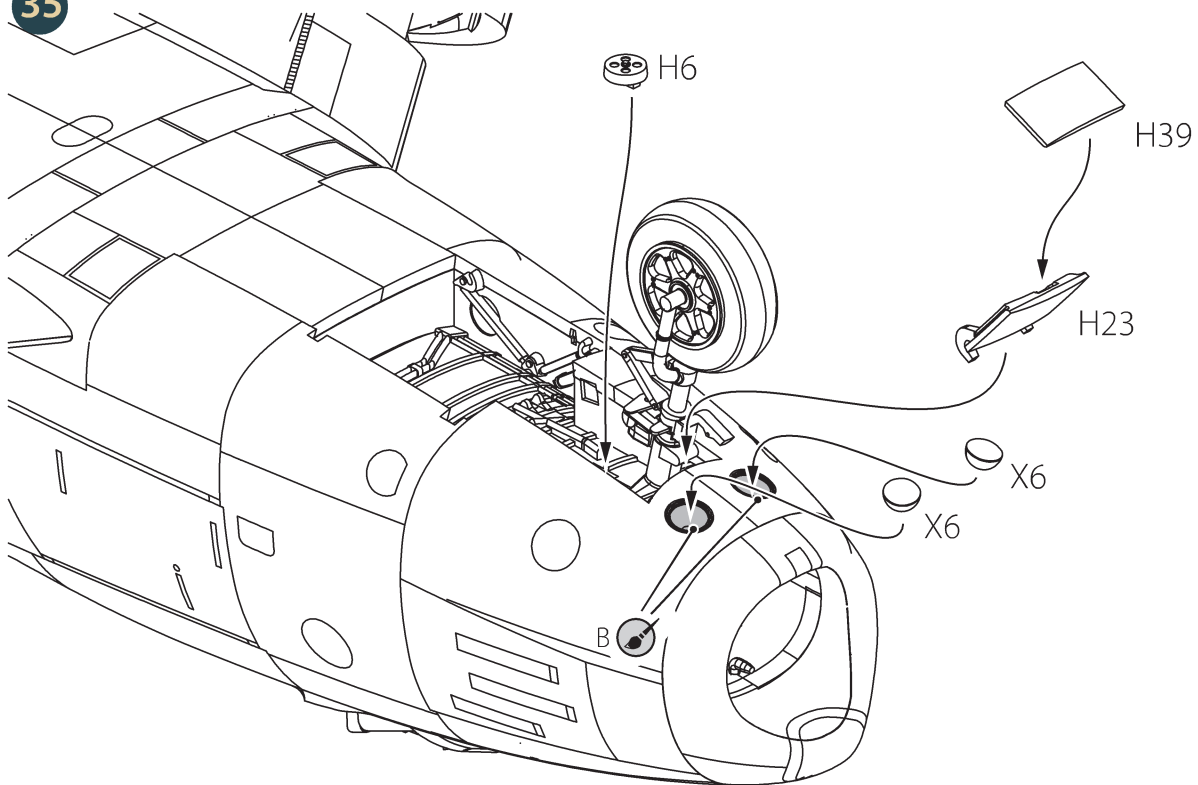
24 **2****24****25** **2****26****23**



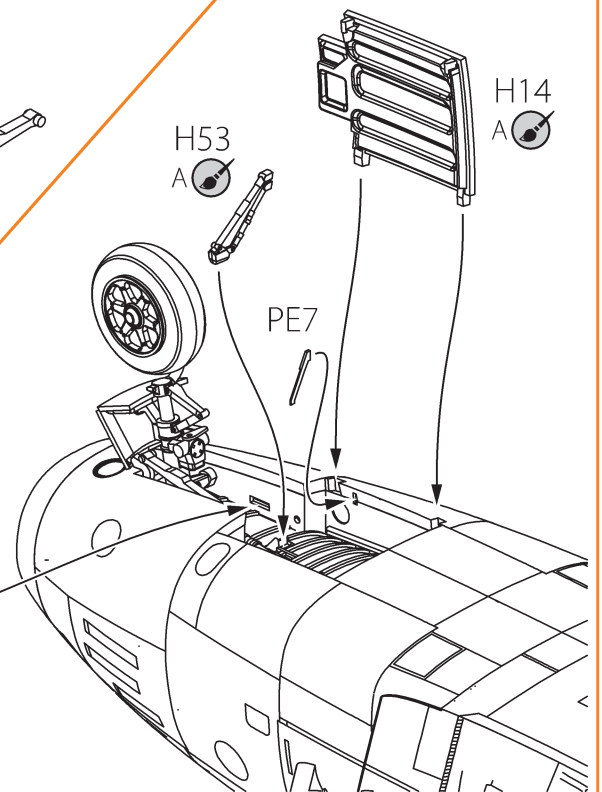
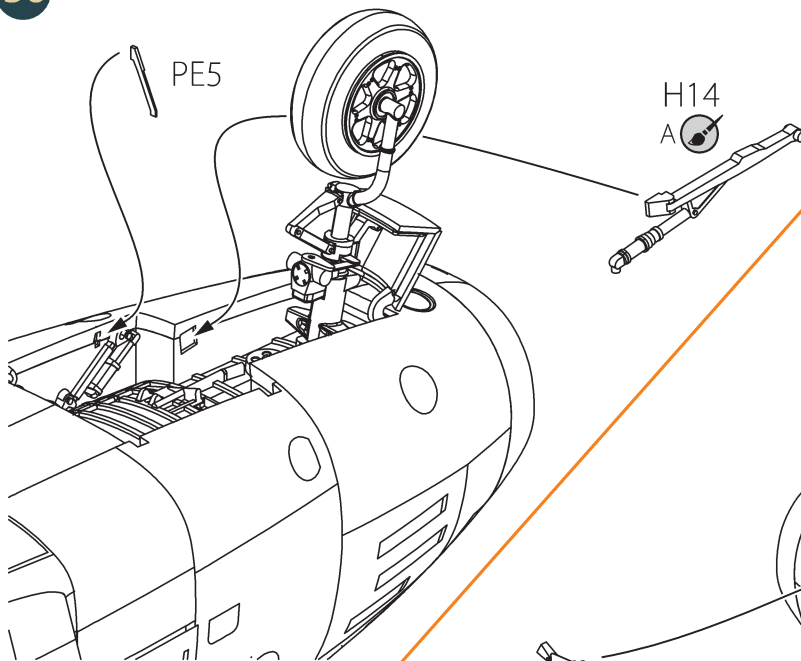
*- for the colour variant ①



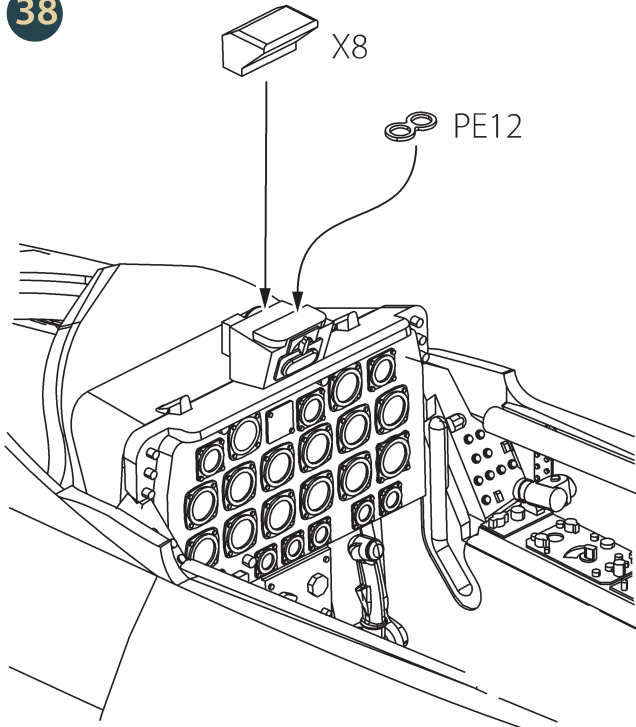
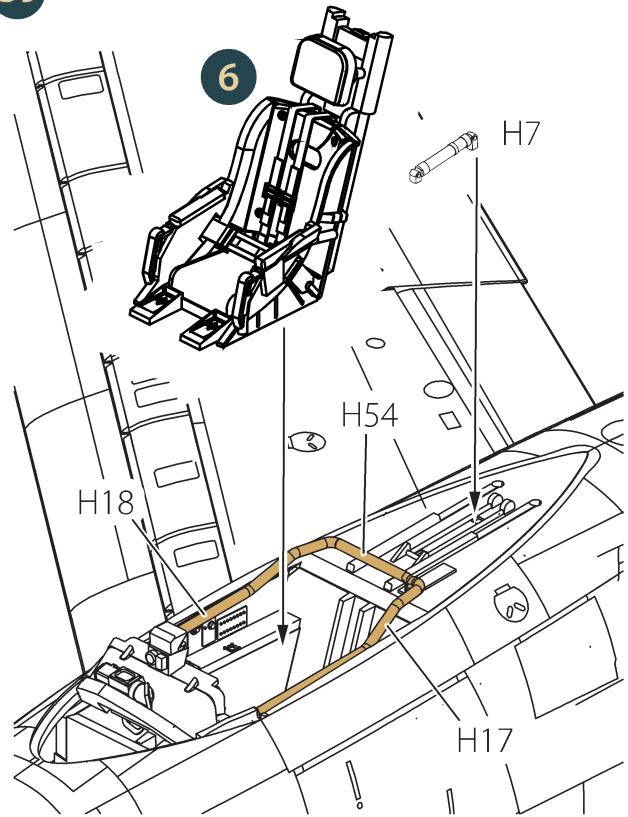
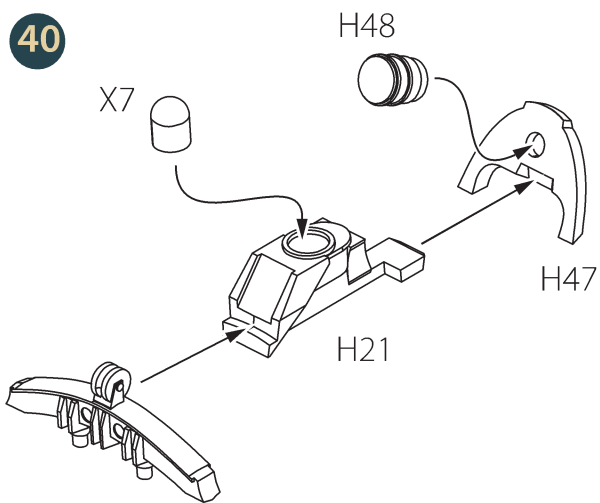
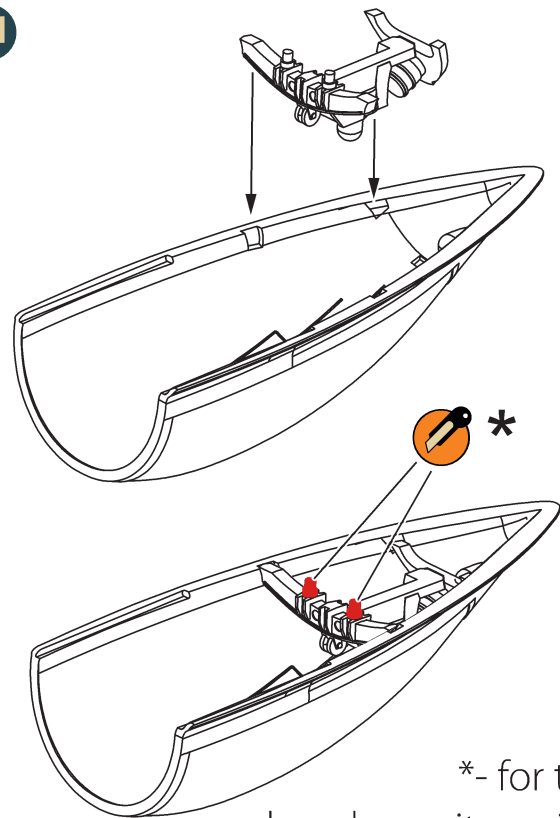
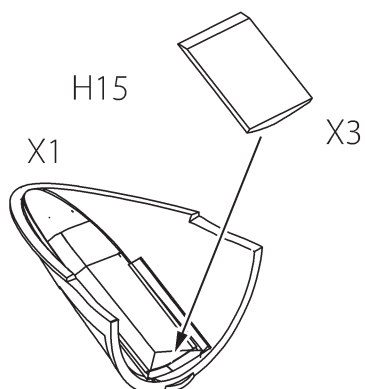
35



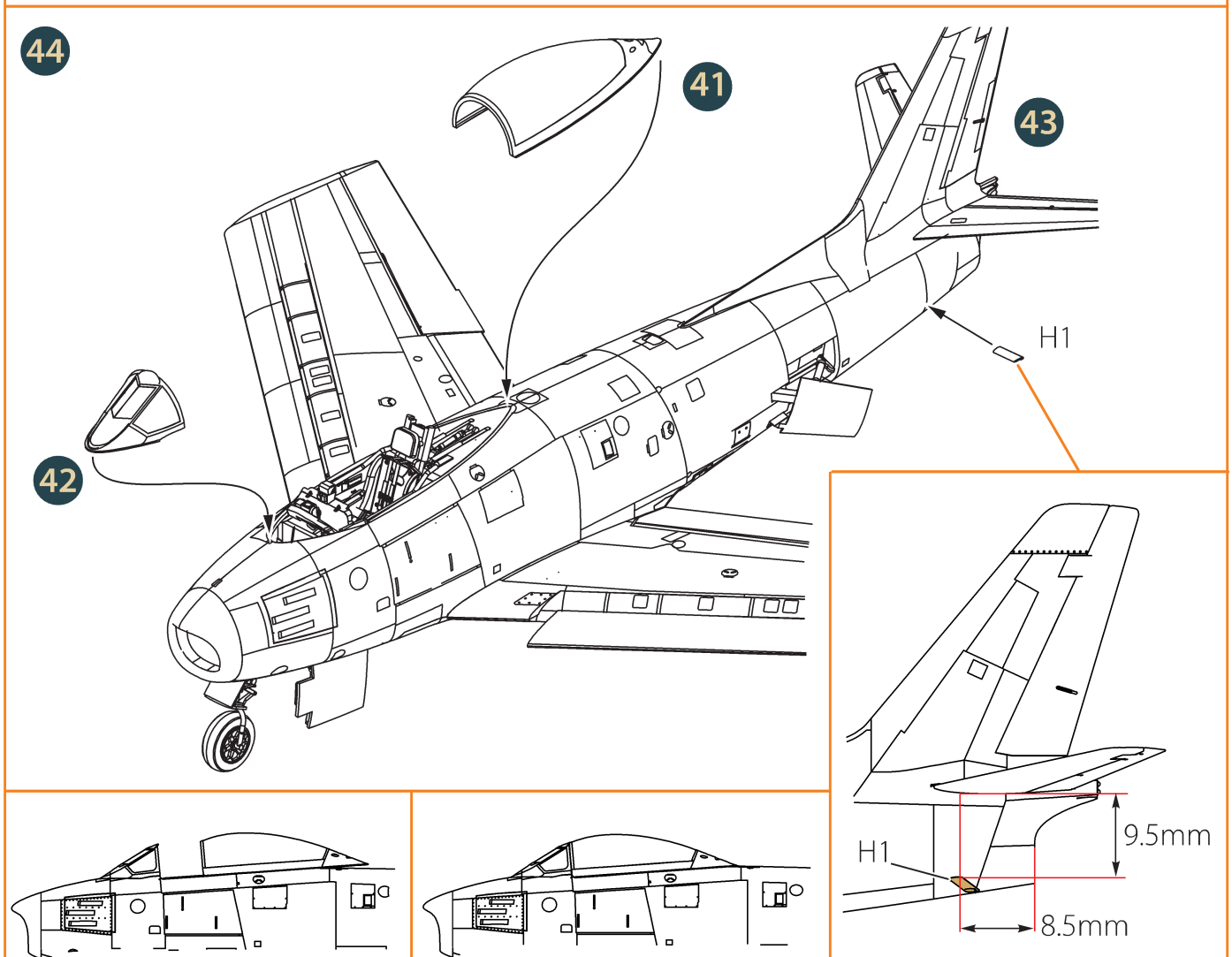
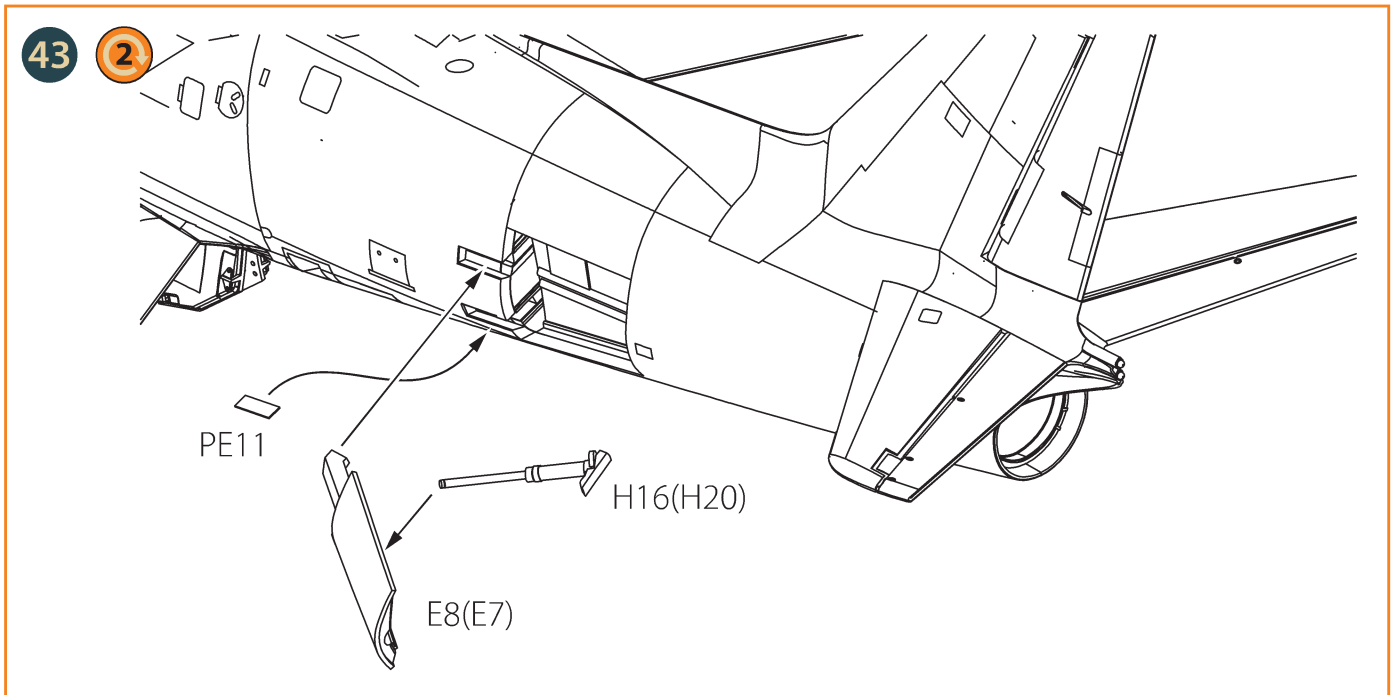
36



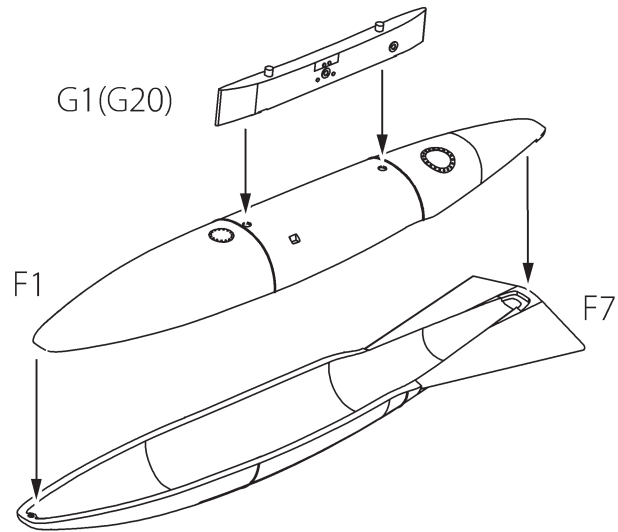
37

38

39

40

41

42


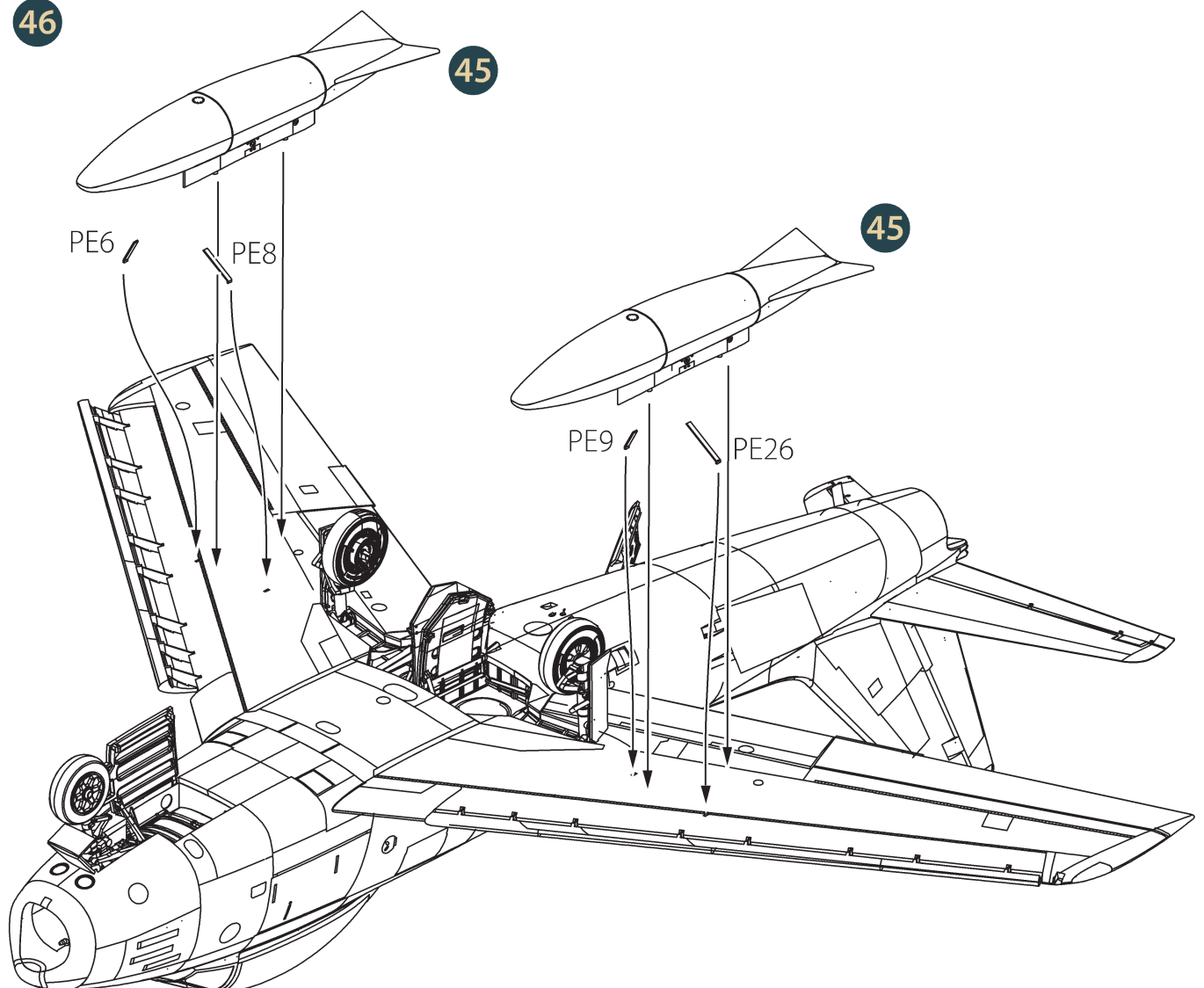
*- for the closed cockpit version



45 2



46





MR. COLOR MC211
A.MIG-0194
ALUMINIUM



MR. COLOR MC203
A.MIG-0191
POLISHED STEEL



MR. COLOR 33
A.MIG-0046
BLACK MATT



MR. COLOR 137
A.MIG-0033
RUBBER & TIRES



MR. COLOR 61
A.MIG-0187
EXHAUST BURNT
IRON METALLIC



MR. COLOR 78
A.MIG-0045
GUN METAL



MR. COLOR 351
A.MIG-0220
ZINC-CHROMATE



MR. COLOR 11
A.MIG-0211
MEDIUM GREY



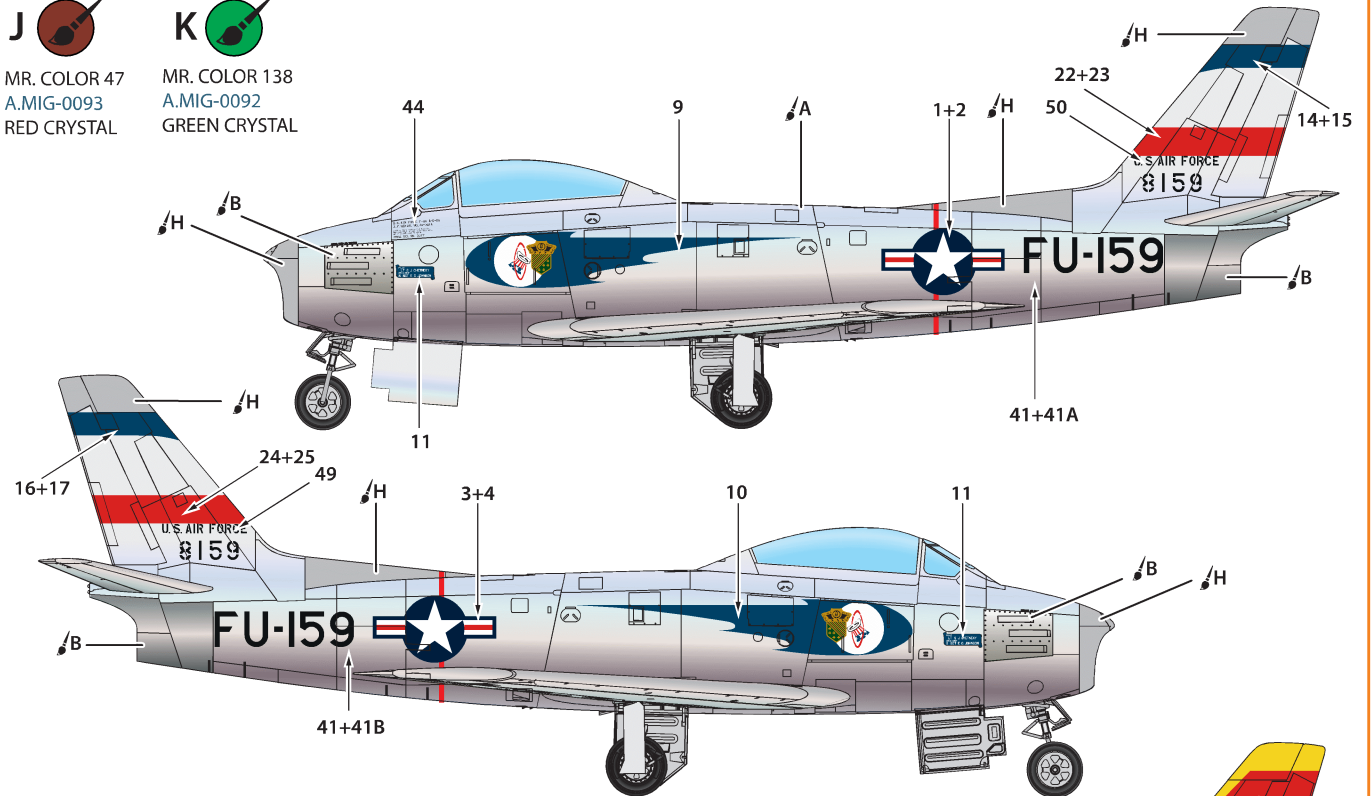
MR. COLOR 3
A.MIG-0049
RED



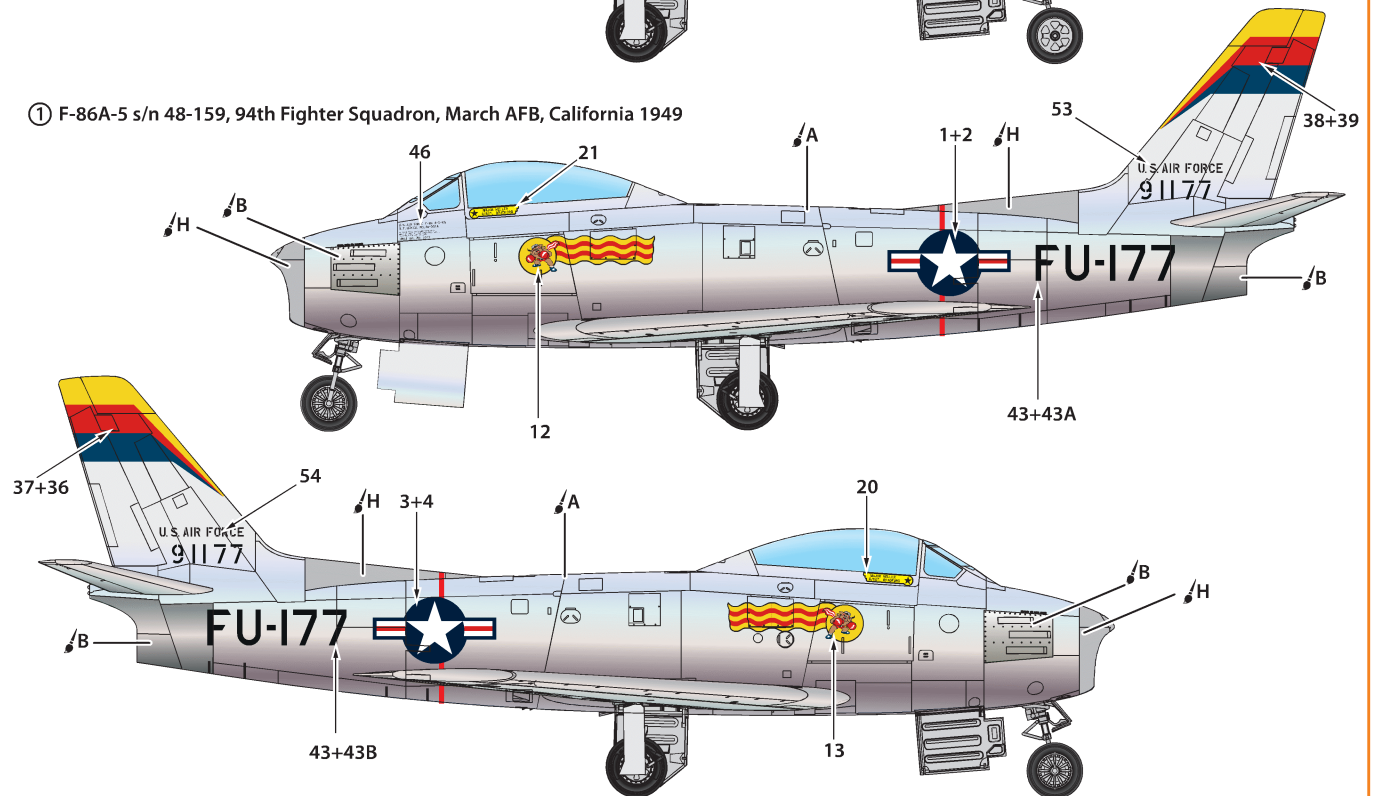
MR. COLOR 47
A.MIG-0093
RED CRYSTAL



MR. COLOR 138
A.MIG-0092
GREEN CRYSTAL



① F-86A-5 s/n 48-159, 94th Fighter Squadron, March AFB, California 1949



② F-86A-5 s/n 49-1177, 62nd FIS, Selfridge AFB, Michigan 1950



MR. COLOR MC211
A.MIG-0194
ALUMINIUM



MR. COLOR MC203
A.MIG-0191
POLISHED STEEL



MR. COLOR 33
A.MIG-0046
BLACK MATT



MR. COLOR 137
A.MIG-0033
RUBBER & TIRES



MR. COLOR 61
A.MIG-0187
EXHAUST BURNT
IRON METALLIC



MR. COLOR 78
A.MIG-0045
GUN METAL



MR. COLOR 351
A.MIG-0220
ZINC-CHROMATE



MR. COLOR 11
A.MIG-0211
MEDIUM GREY



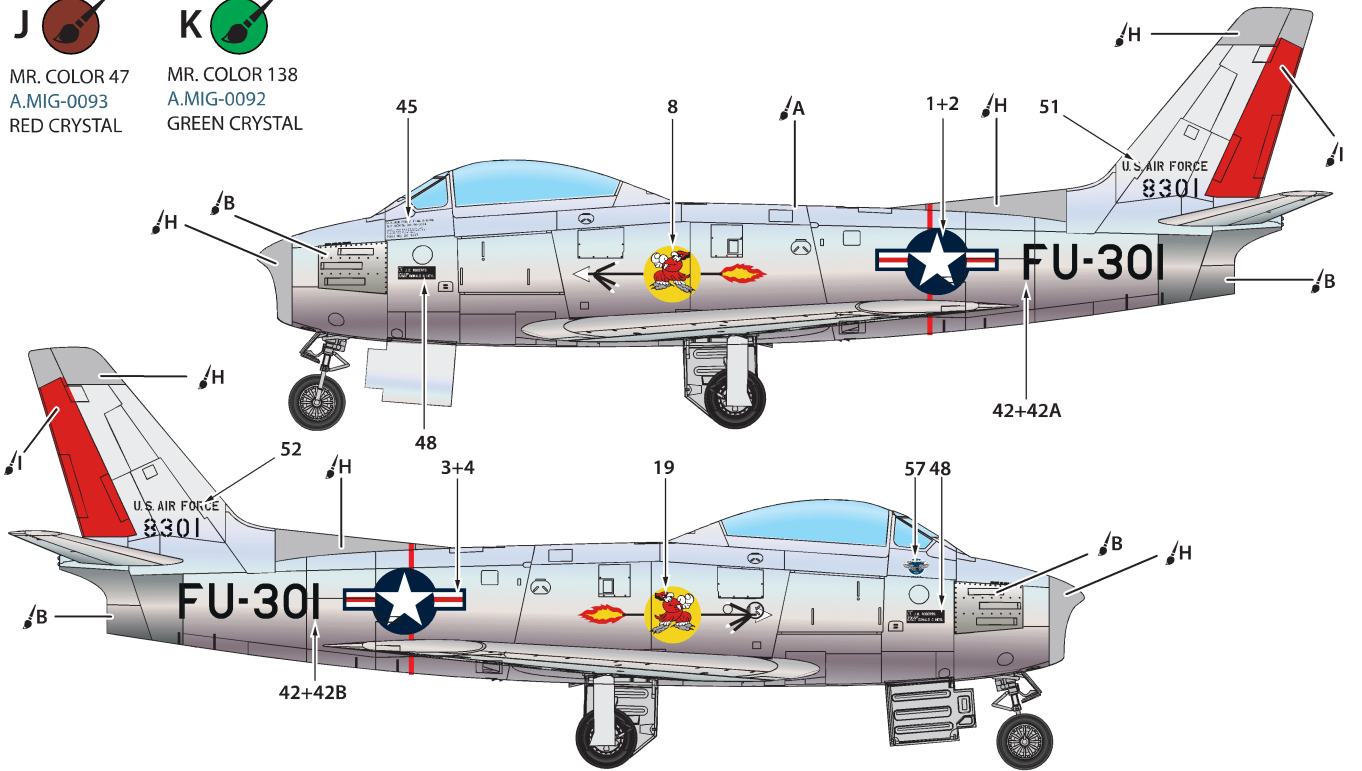
MR. COLOR 3
A.MIG-0049
RED



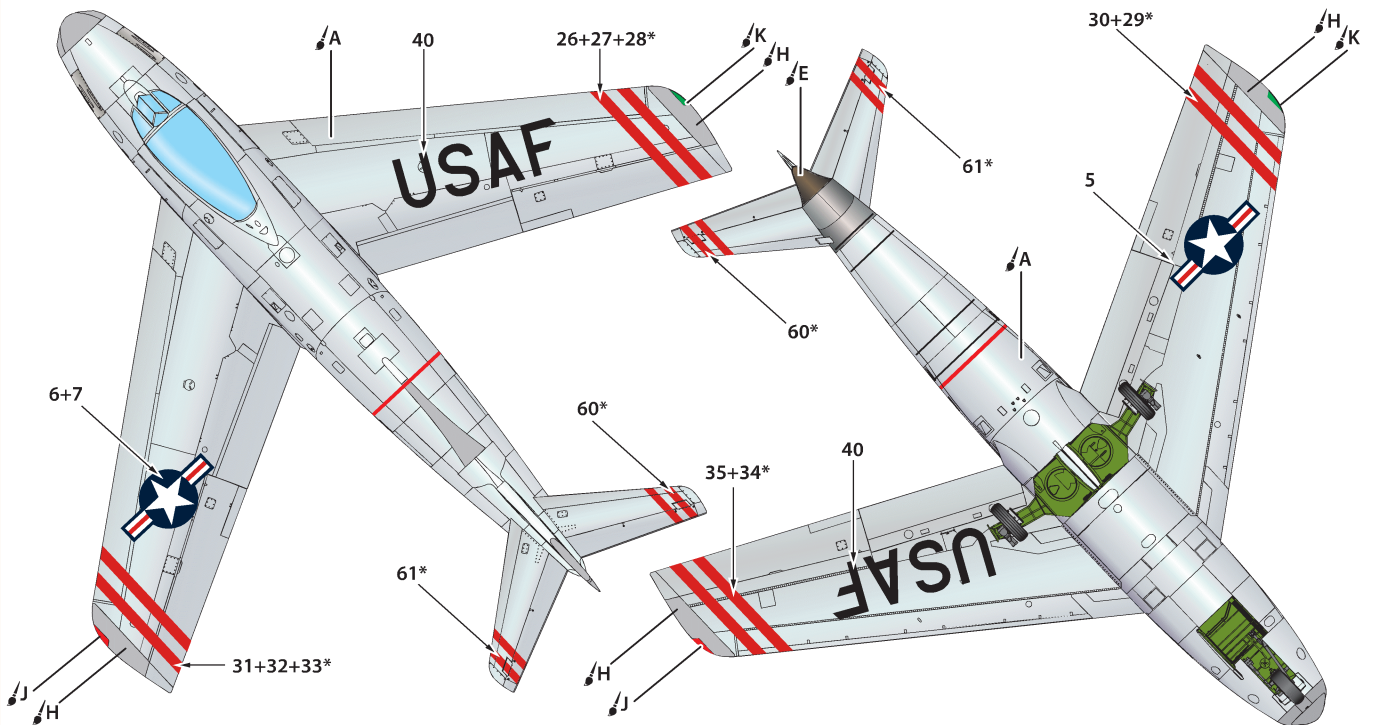
MR. COLOR 47
A.MIG-0093
RED CRYSTAL



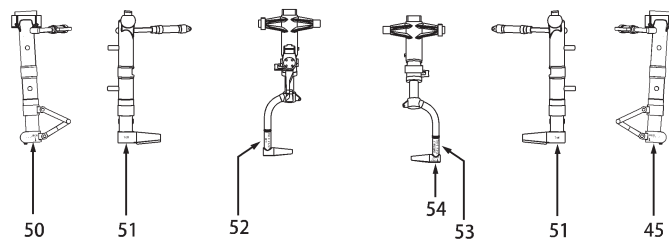
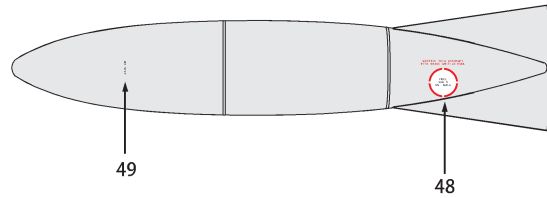
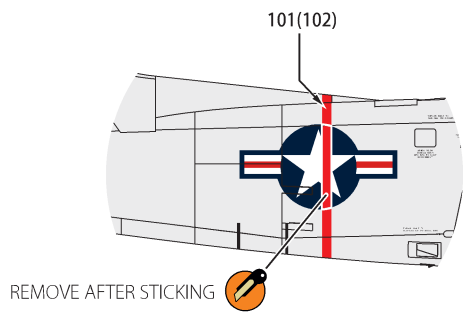
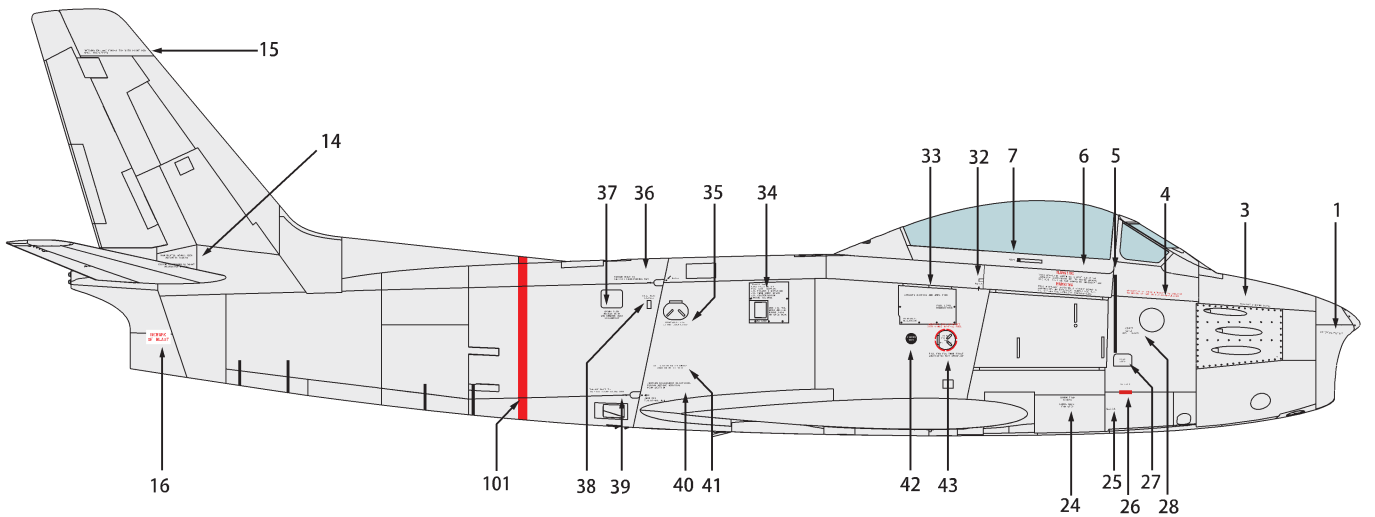
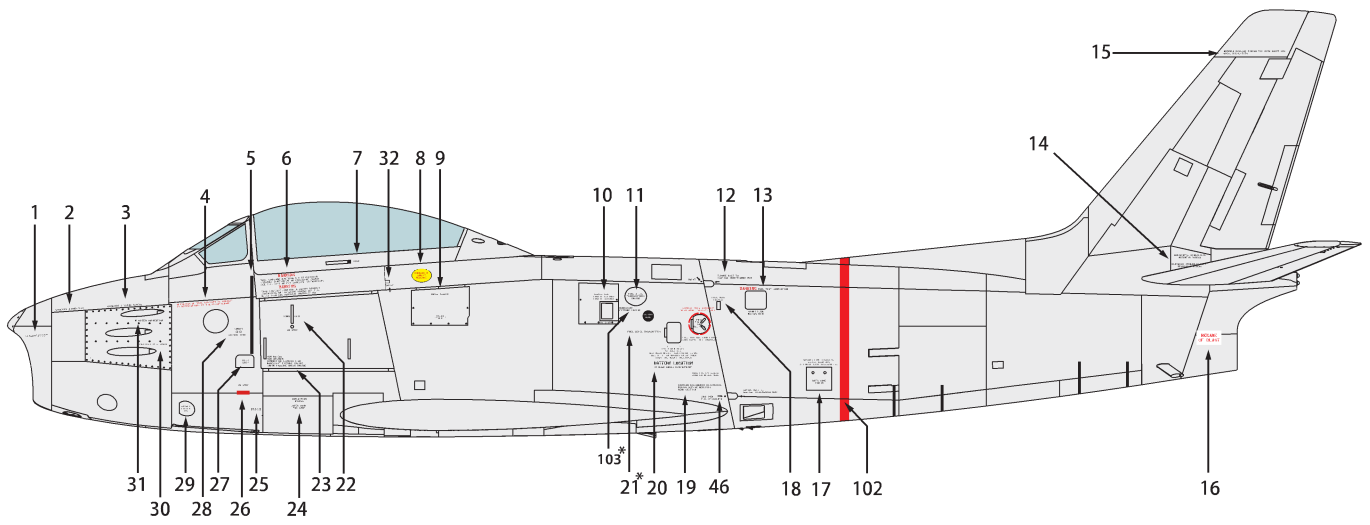
MR. COLOR 138
A.MIG-0092
GREEN CRYSTAL



③ F-86A-S s/n 48-301, 334th Fighter Squadron, Langley AFB, Virginia (USAF Gunnery Meet) 1950.



* - only for 3 paint schemes



*- OPTION

