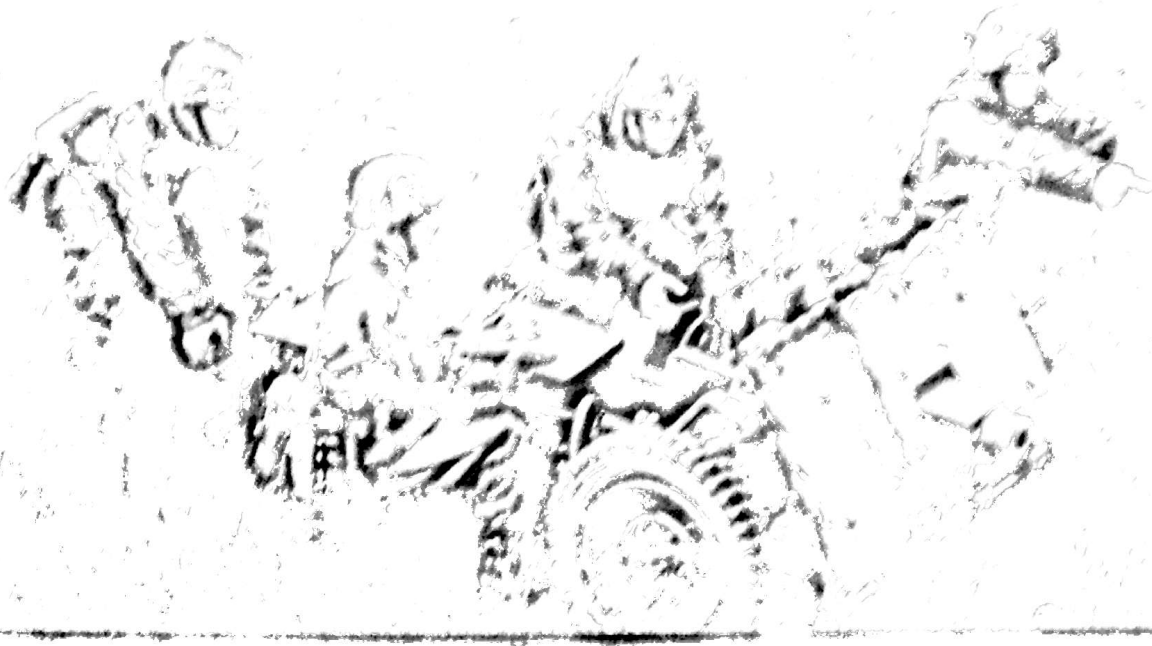


German 75mm le IG18 Infantry Gun with Crew



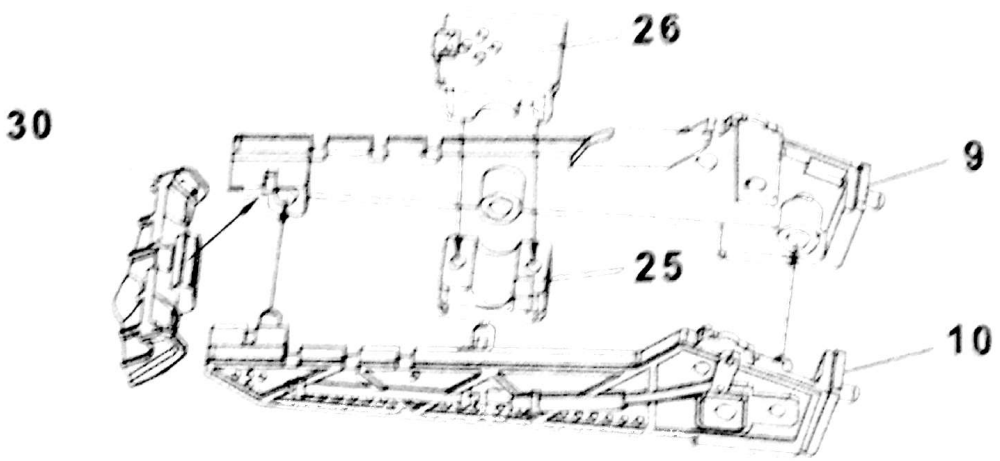
NO. 7510

THE MILITARY MUSEUM COLLECTION

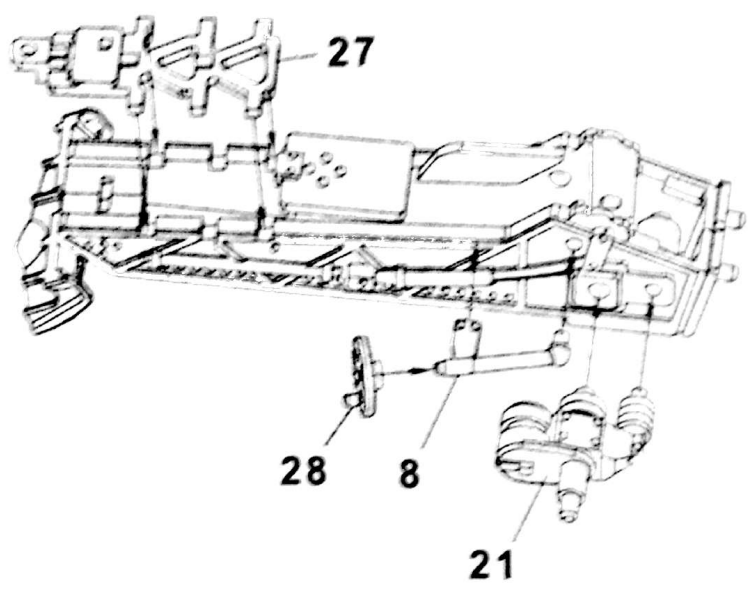
Ready! Aim! Fire! Attack the enemy with your new German 75mm IG18 from Pegasus Hobbies! Superbly detailed, you get two sets of crew, one SS and one Wehrmacht! The gun itself is the 75mm le IG18 howitzer that was developed by Rheinmetall for the German Army in the early 20's! An incredibly detailed model, it can be built with either spoked wheels or pneumatic tires. This gun served throughout the war thanks to its light construction, versatility, and availability as over 8000 were made!

Use a good pair of clippers to remove the parts from their sprues. Use plastic cement on the hard plastic gun parts, and cyanoacrylate (super glue) on the soft plastic crew parts. If using the pneumatic tires, use cyanoacrylate to glue them onto the hard plastic.

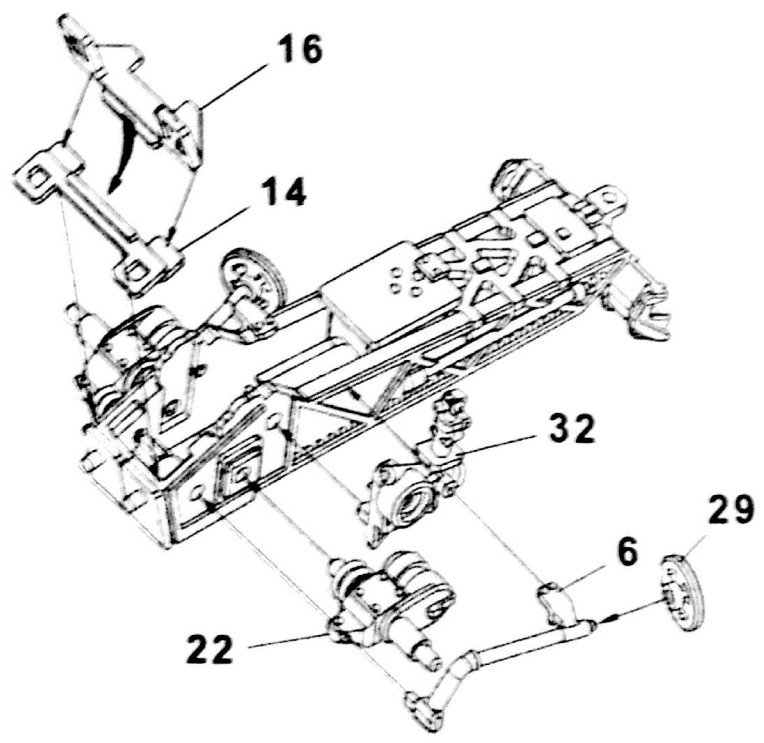
1



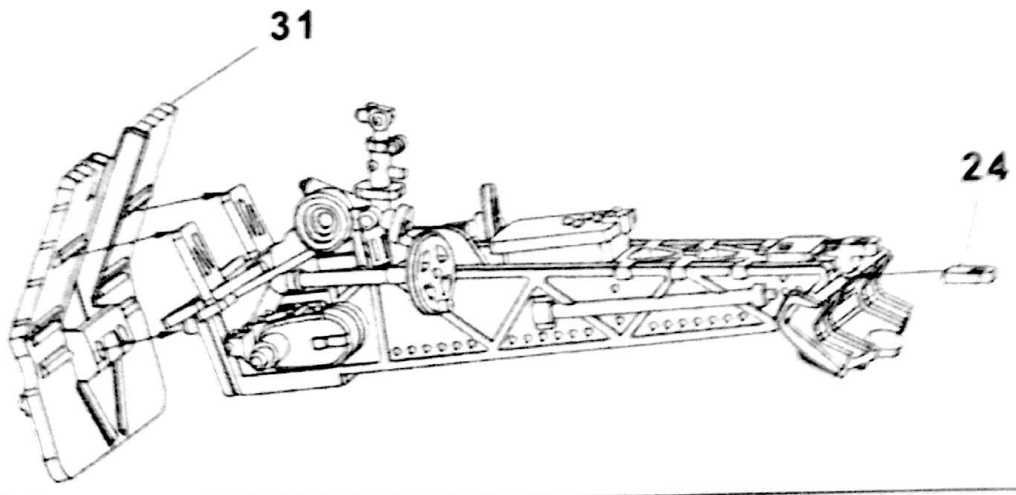
2



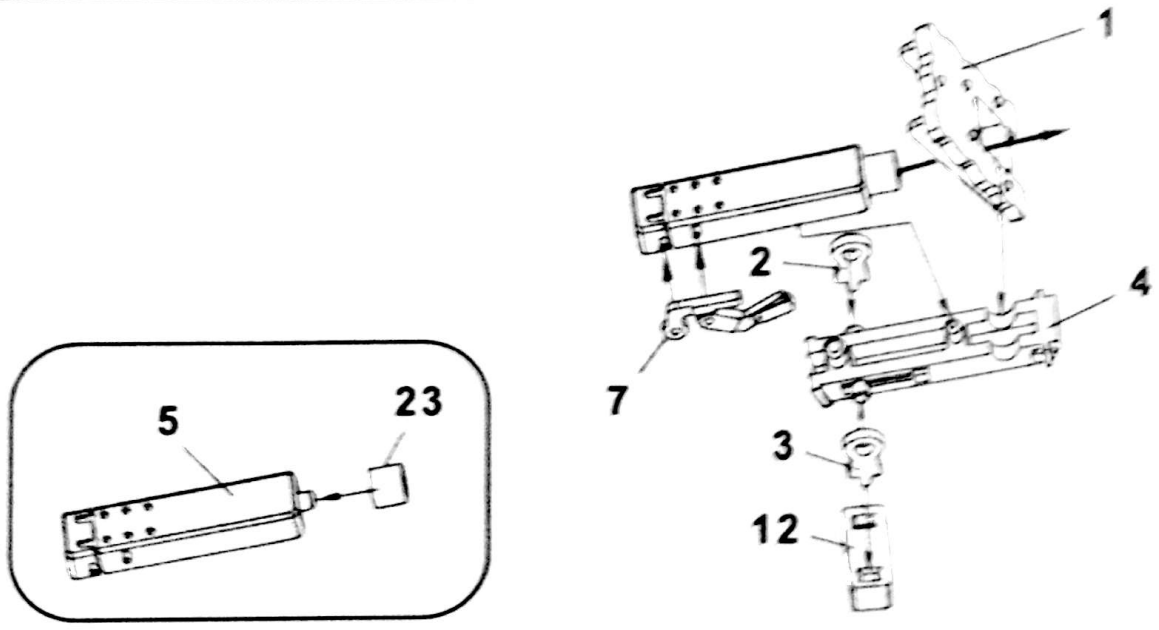
3



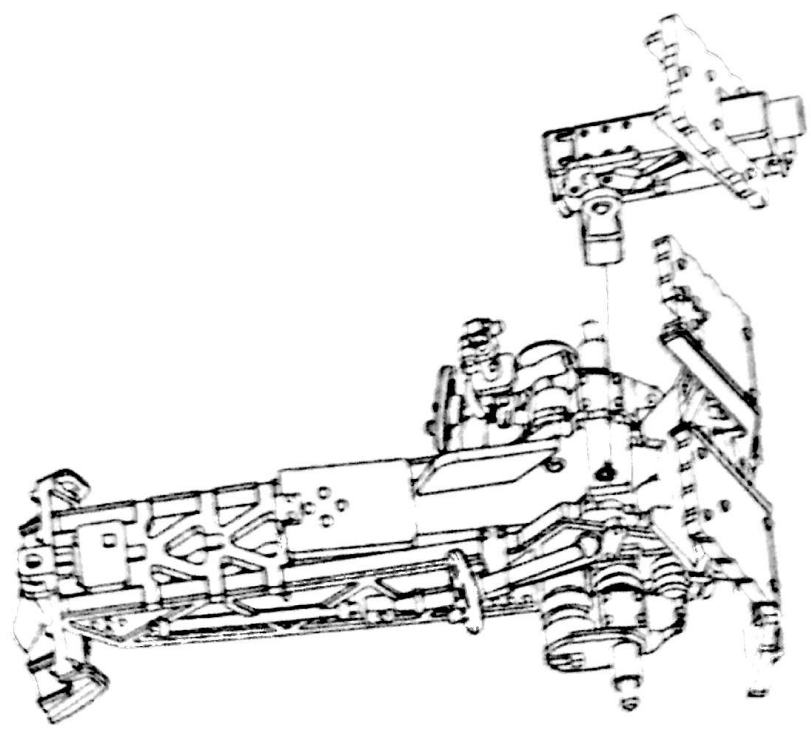
4



5

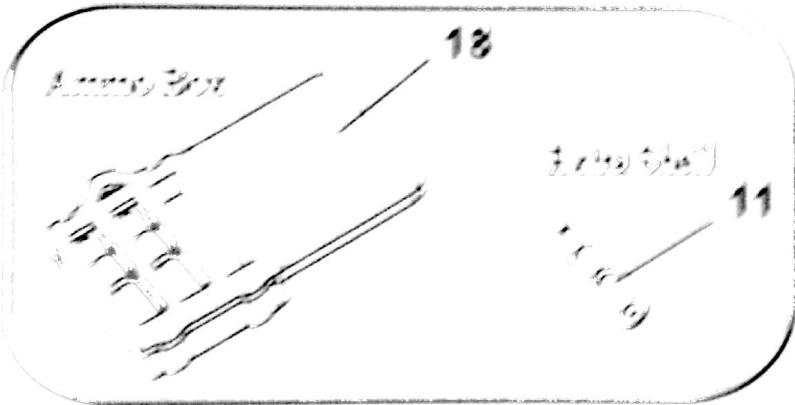
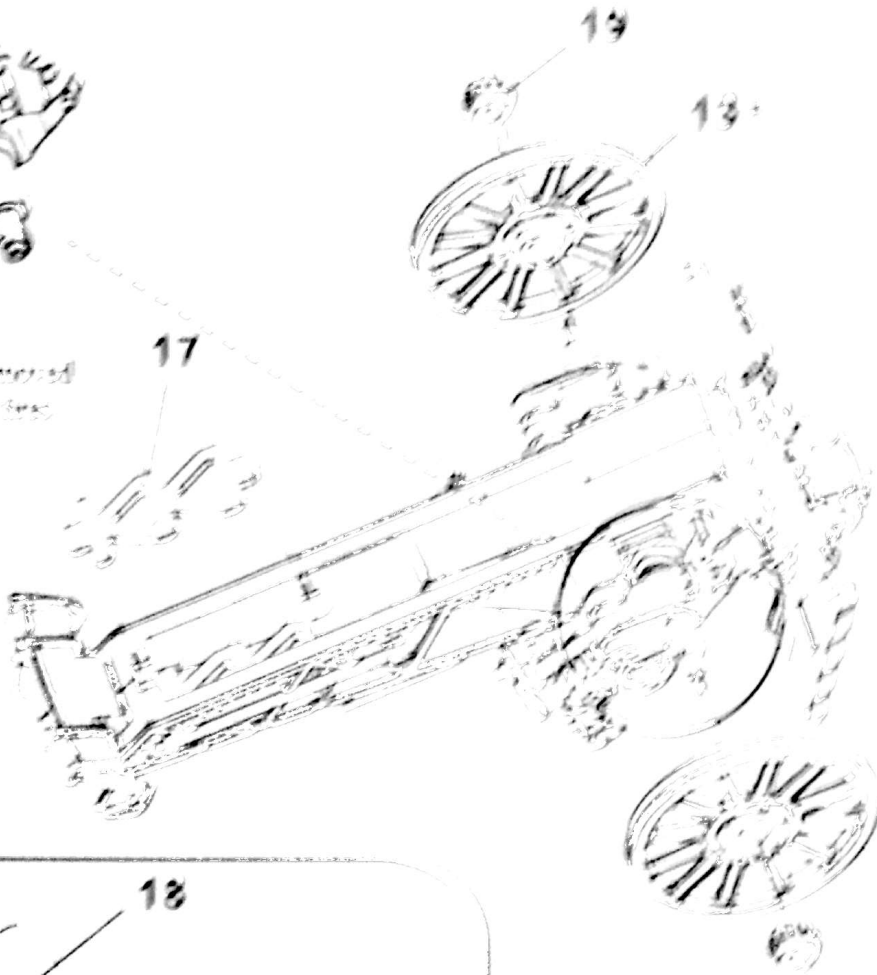


6





This section needs to be removed when mounting pneumatic tires (Both Sides)



* Spoke wheels option shown
Can be built with pneumatic tires

Paint Color Chart	
P1	Field Gray
P2	Flak Blue



* See how to use spray cans for additional painting references