

German SPW-70

东德 SPW-70 装甲输送车

1:35 SCALE

READ BEFORE ASSEMBLY:

- Study and understand these instructions thoroughly before beginning assembly
- When needed, remove photo-etch parts carefully using a modeling knife or photo etch sprue cutter, being careful not to damage or lose small parts.
- Take extra care in handling photo etch parts in order to avoid injury
- Apply instant cement sparingly to photo etch parts where instructed
- Tools recommended(not included in kit):Plastic and instant cements, sprue cutters,long nose pliers,modeling knife, small files, tweezers, pin vise & scissors. Soft cloth and sandpaper will also assist in construction
- Glue and paint are not included in the kit. Use plastic cement and hobby paints only. Color guide for purchasing paint is included in the kit.

装配之前仔细阅读

- 小心用模型锉刀锉平所有零件表面的注射浇口。
- 小心用刀片切下蚀刻片零件，不要遗失小零件。
- 用强力快干胶水粘合蚀刻片零件和金属轴。过量快干胶水使用可能导致可动零件会粘住，小心涂胶。
- 取蚀刻片时应特别注意安全，防止利边划伤手指。
- 某些零件表面需贴水上贴纸，请选择在装配的同时进行。
- 推荐模型工具(自备)：胶水，水口剪刀，长咀钳，刀片，锉刀，镊子，钳，钻，剪刀，瞬间快干胶。
- 软布同砂纸同时也应该是必备工具。
- 请使用塑料胶水和油漆，模型内不含。



配重
Weight



使用强力胶
Cyanoacrylate glue



钻孔
Make hole



切除
Cut / Remove



贴纸
Decal



锉平
File / Sand



选择
Option



不涂胶水
No cement



弯曲
Bend

水贴纸的使用:

- 1.从水贴上剪下印花;
- 2.将印花放入温水中浸10秒, 然后放在干净布上。
- 3.拿着印花纸板将印花移到模型上;
- 4.手指蘸水将印花移到适当的位置;
- 5.用软布轻压印花直至水干, 气泡消失

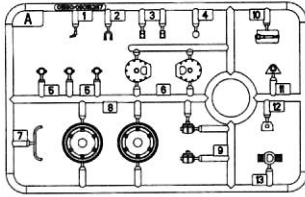
DECAL APPLICATION

- 1.Cut decals from sheet as needed
- 2.Dip the decal in warm water for about 10 seconds and then place on soft clean cloth.
- 3.Hold the decal backing sheet edge and gently slide the decal onto the model in its proper position.

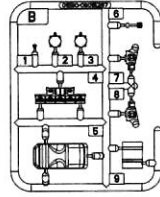
- 4.While still wet,decal can be adjusted for better fit on model by dampening it gently with your finger.
- 5.When placed in the proper position,gently press decal down with a soft cloth until excess water and air bubbles are gone.
- 6.Allow decal to dry completely before handling model

部品图 Part

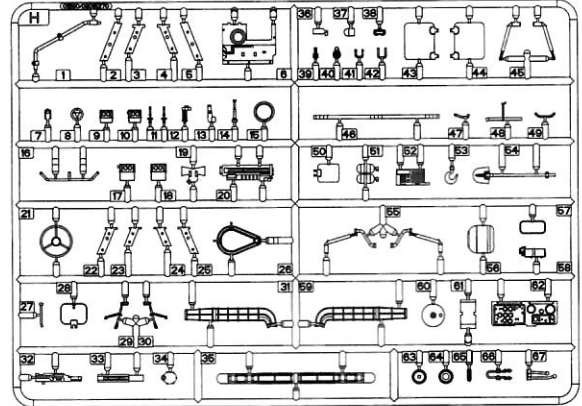
A×4



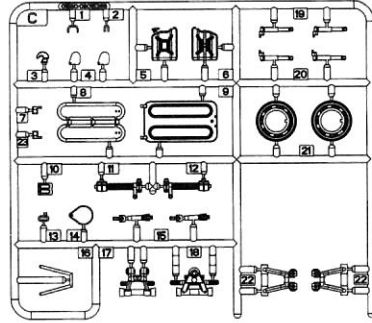
B×2



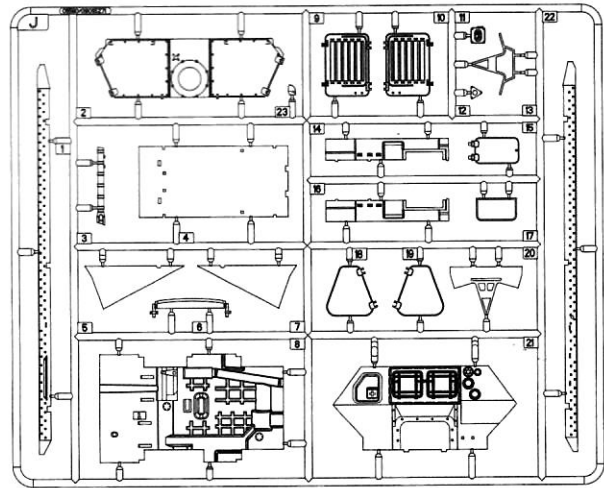
H



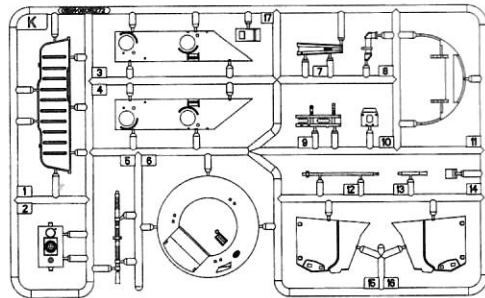
C×4



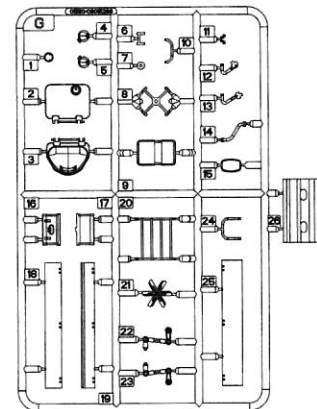
J



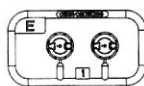
K



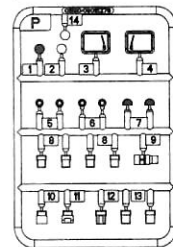
G×2



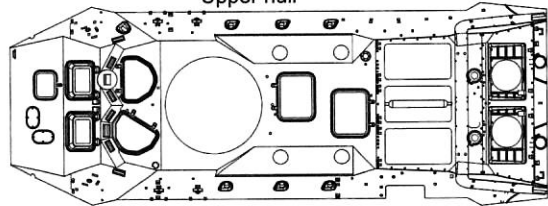
E×4



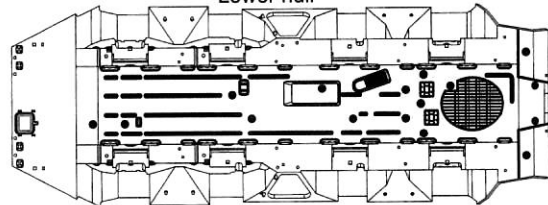
P



《车面》
Upper hull



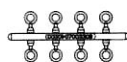
《车底》
Lower hull



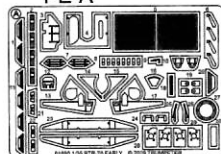
《轮胎》
Tyre × 8



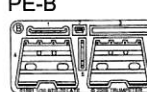
《聚乙烯套》
Poly cap



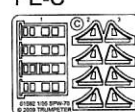
《蚀刻片》
PE-A



《蚀刻片》
PE-B



《蚀刻片》
PE-C



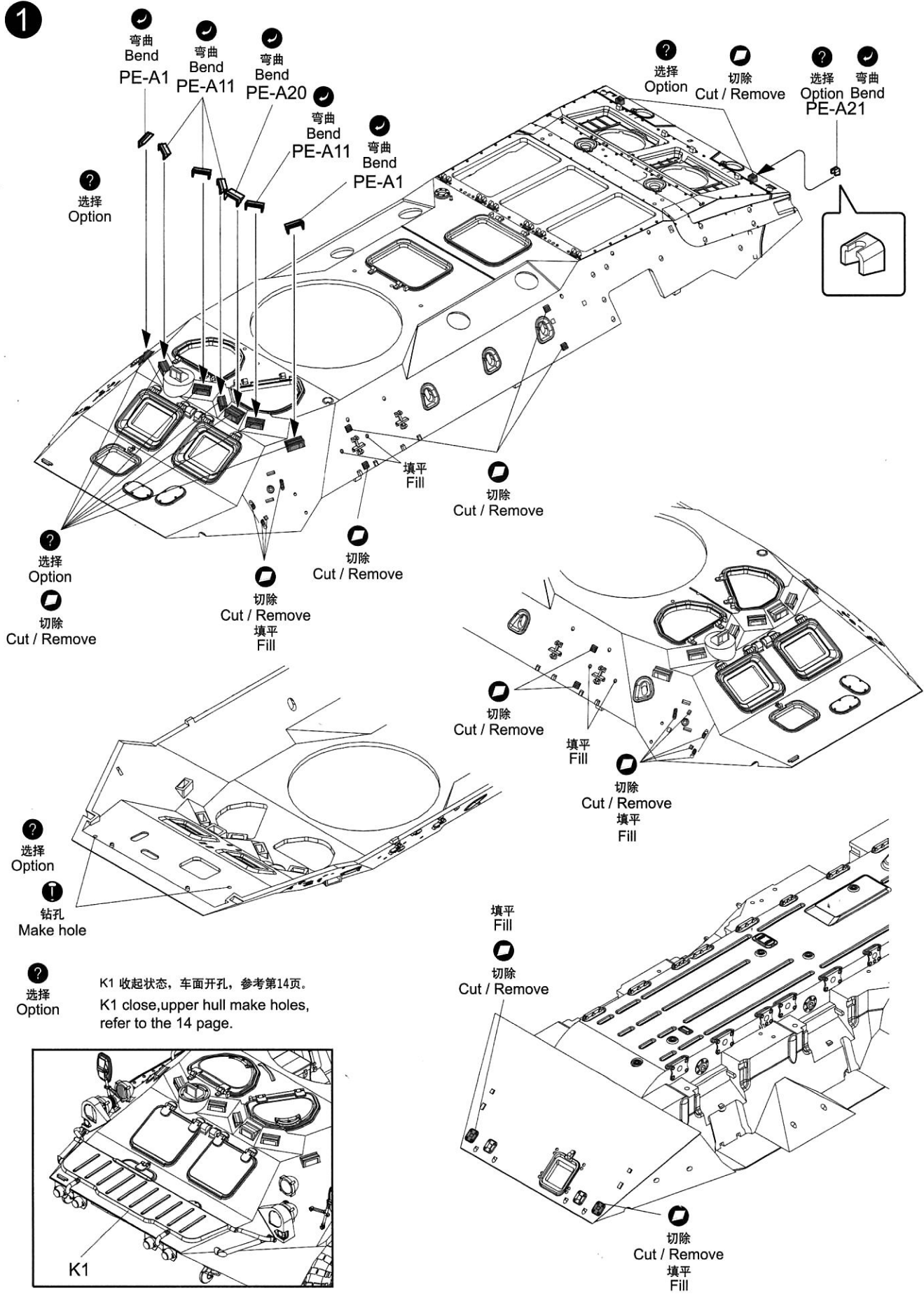
水贴
Decal



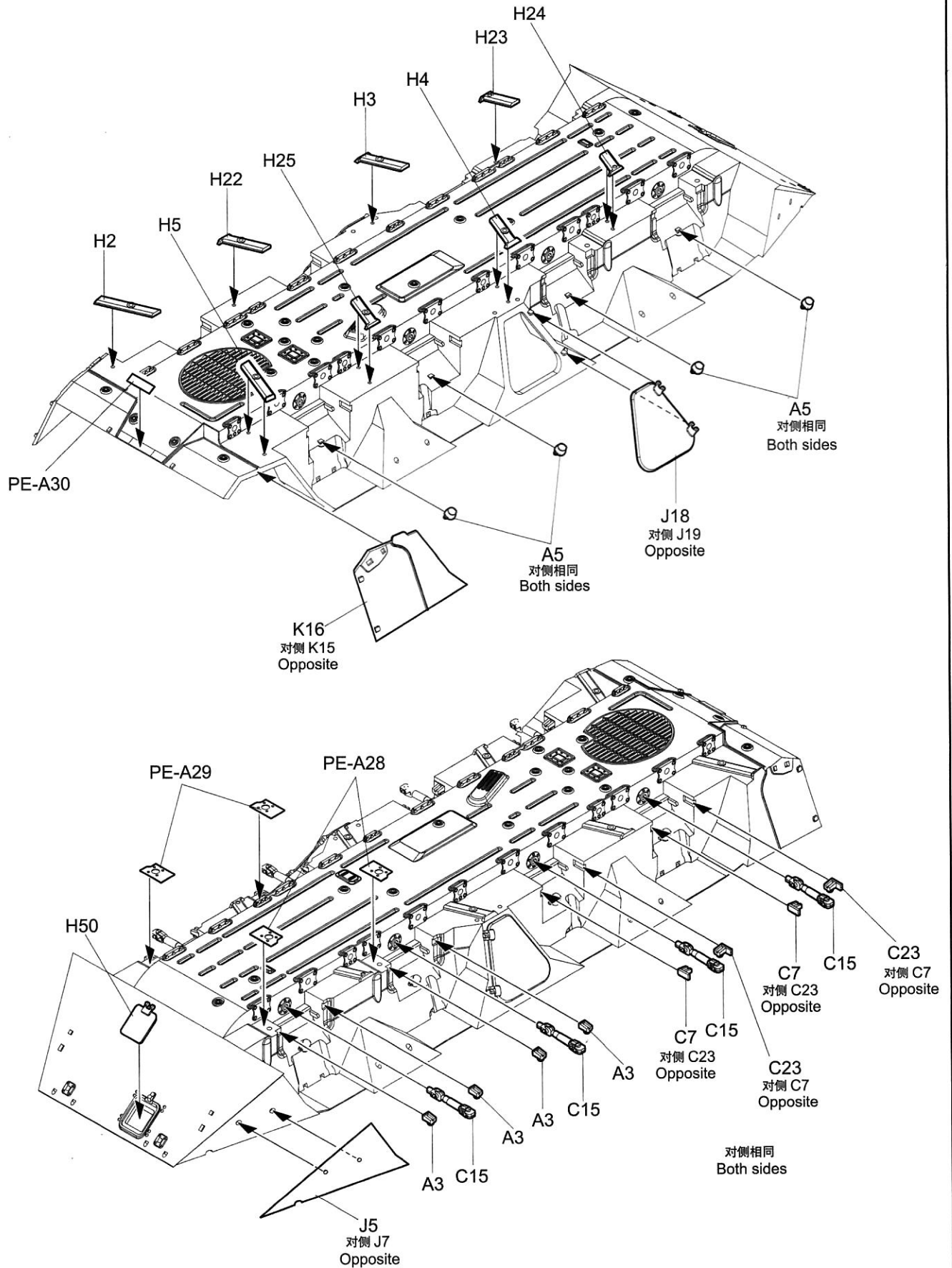
不用部品: P6、P10、PE-B1、PE-B2、PE-B3、PE-B5
Unused parts

01592 1/35 German SPW-70

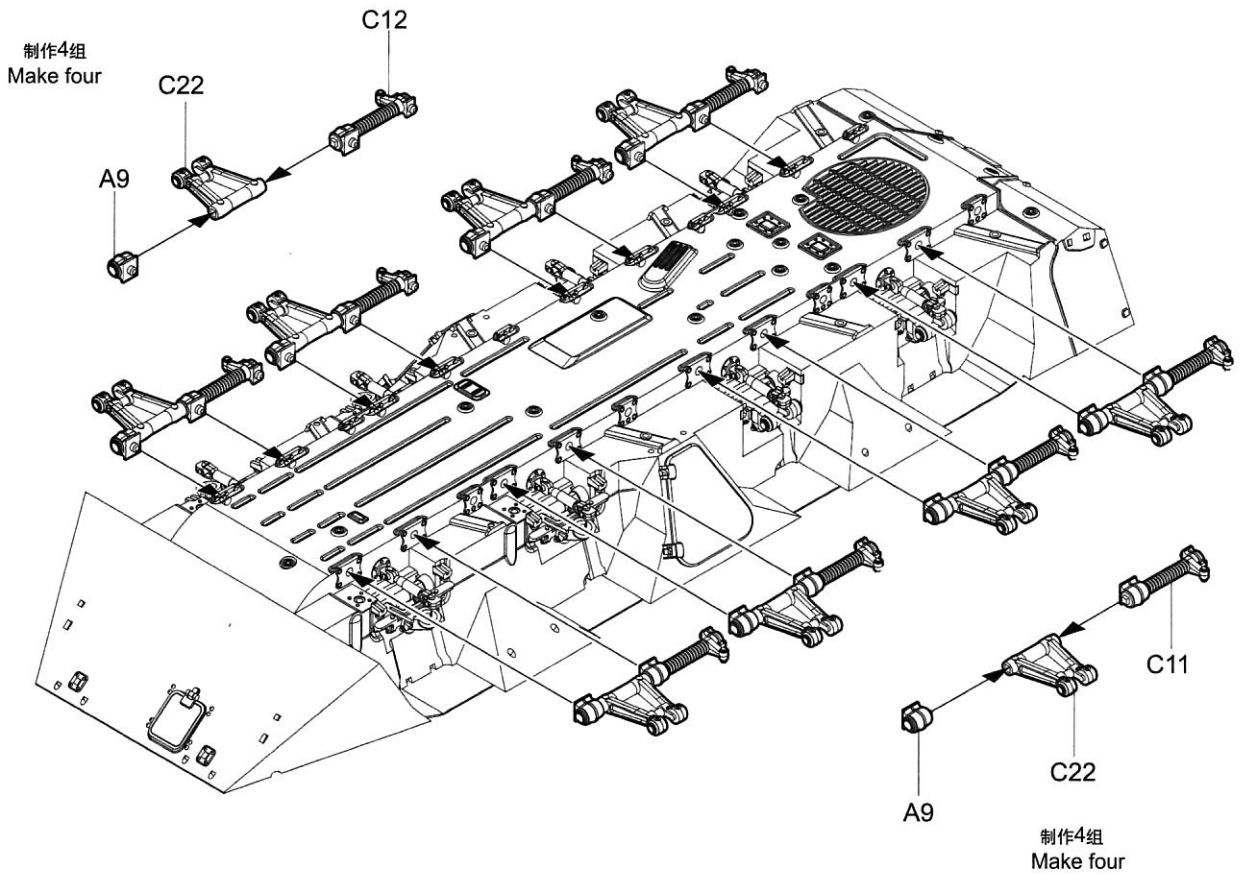
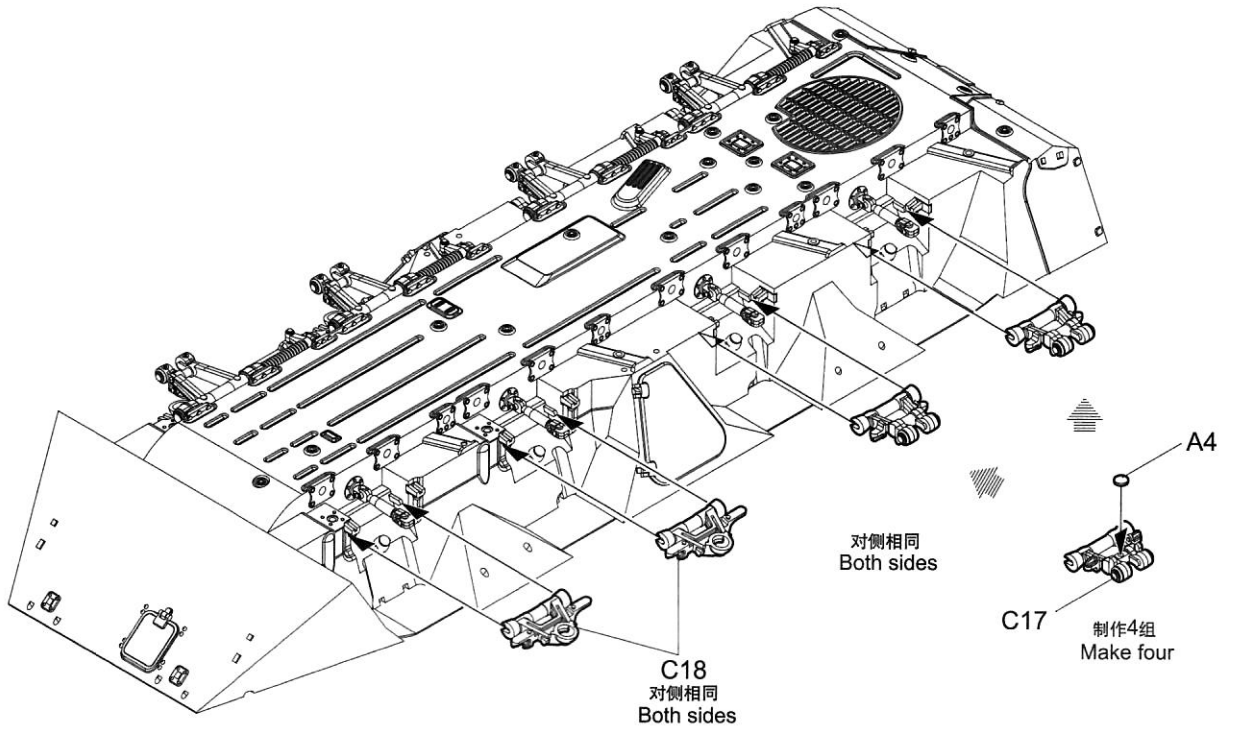
1



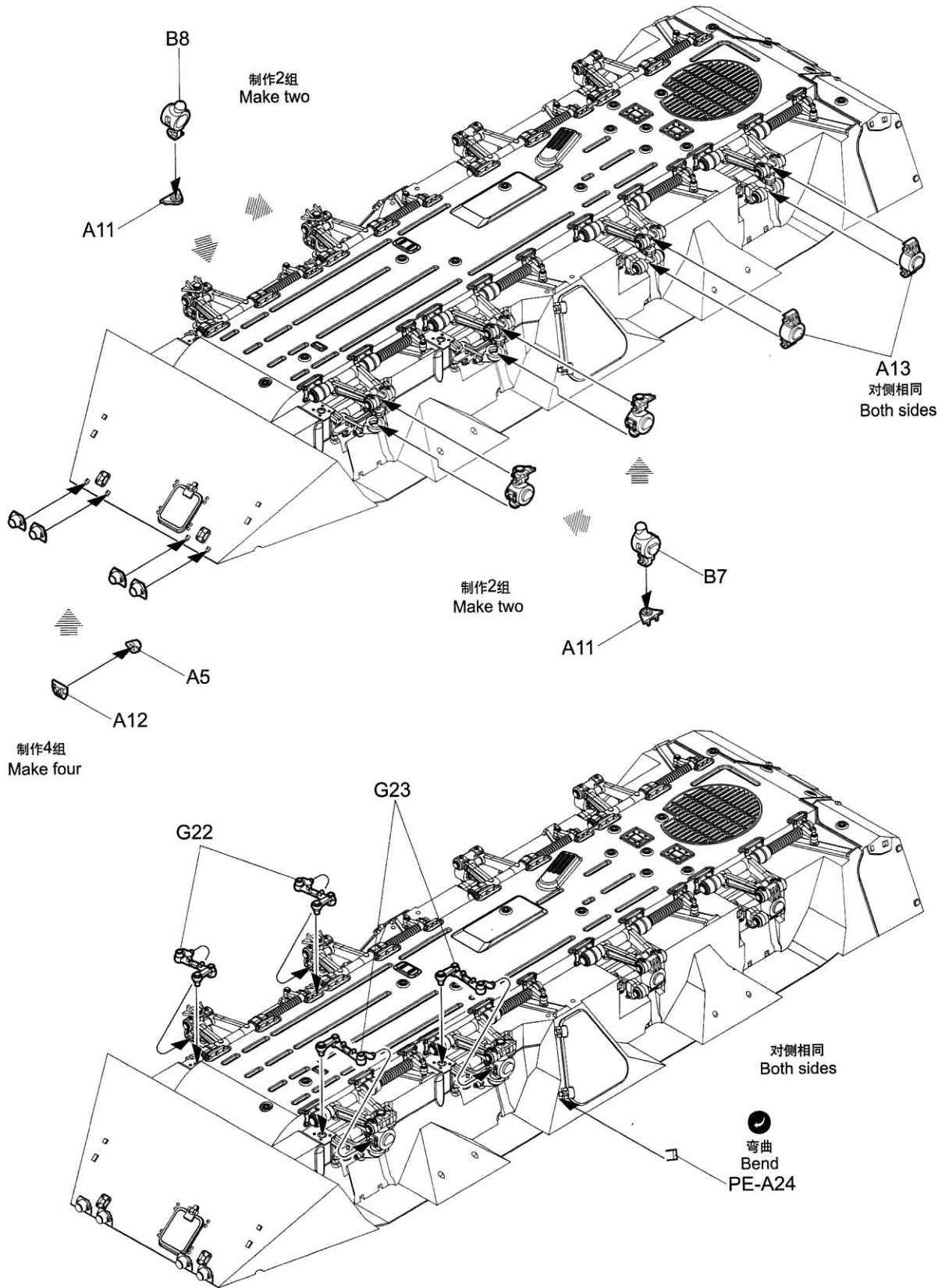
2



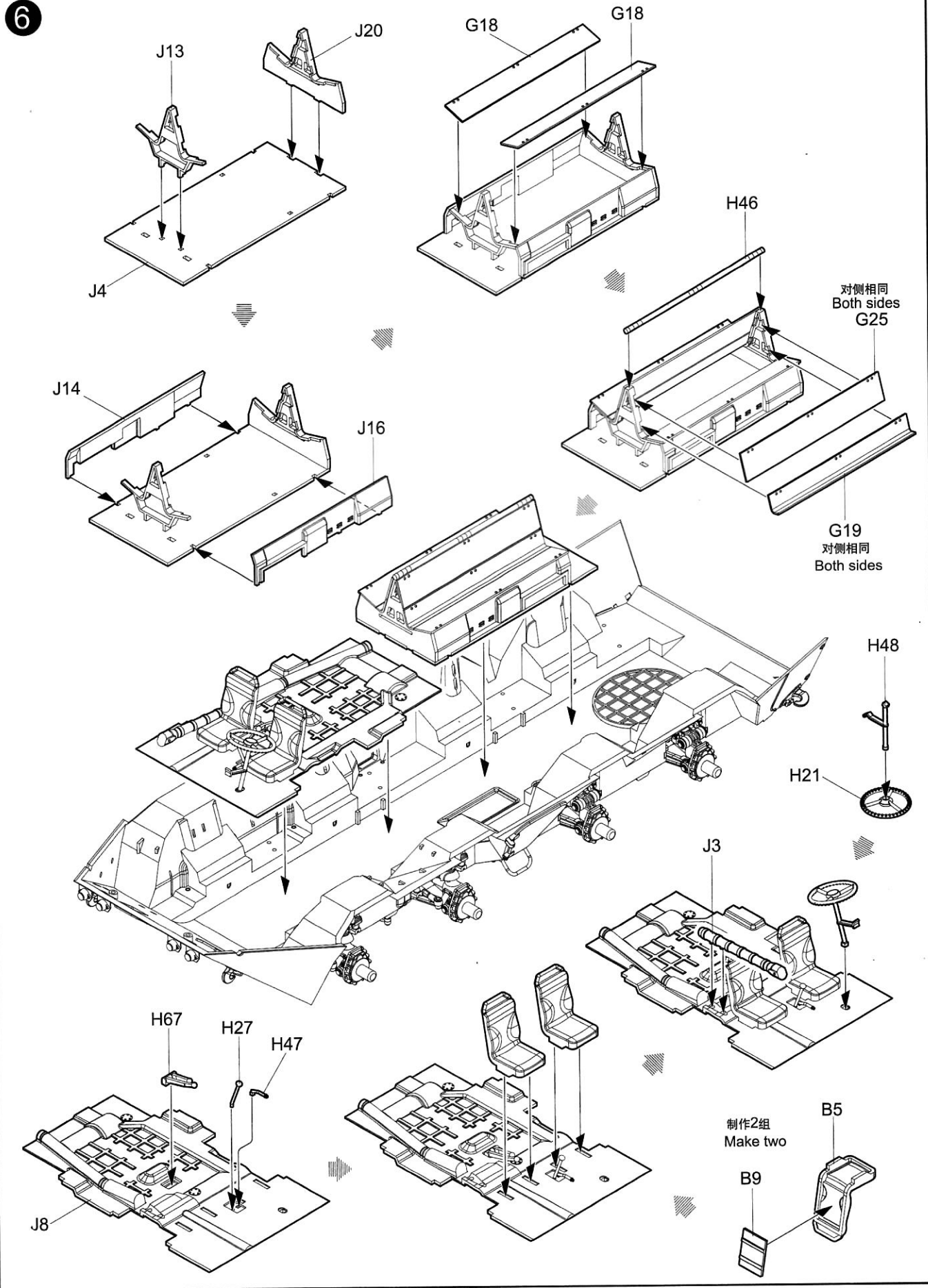
3



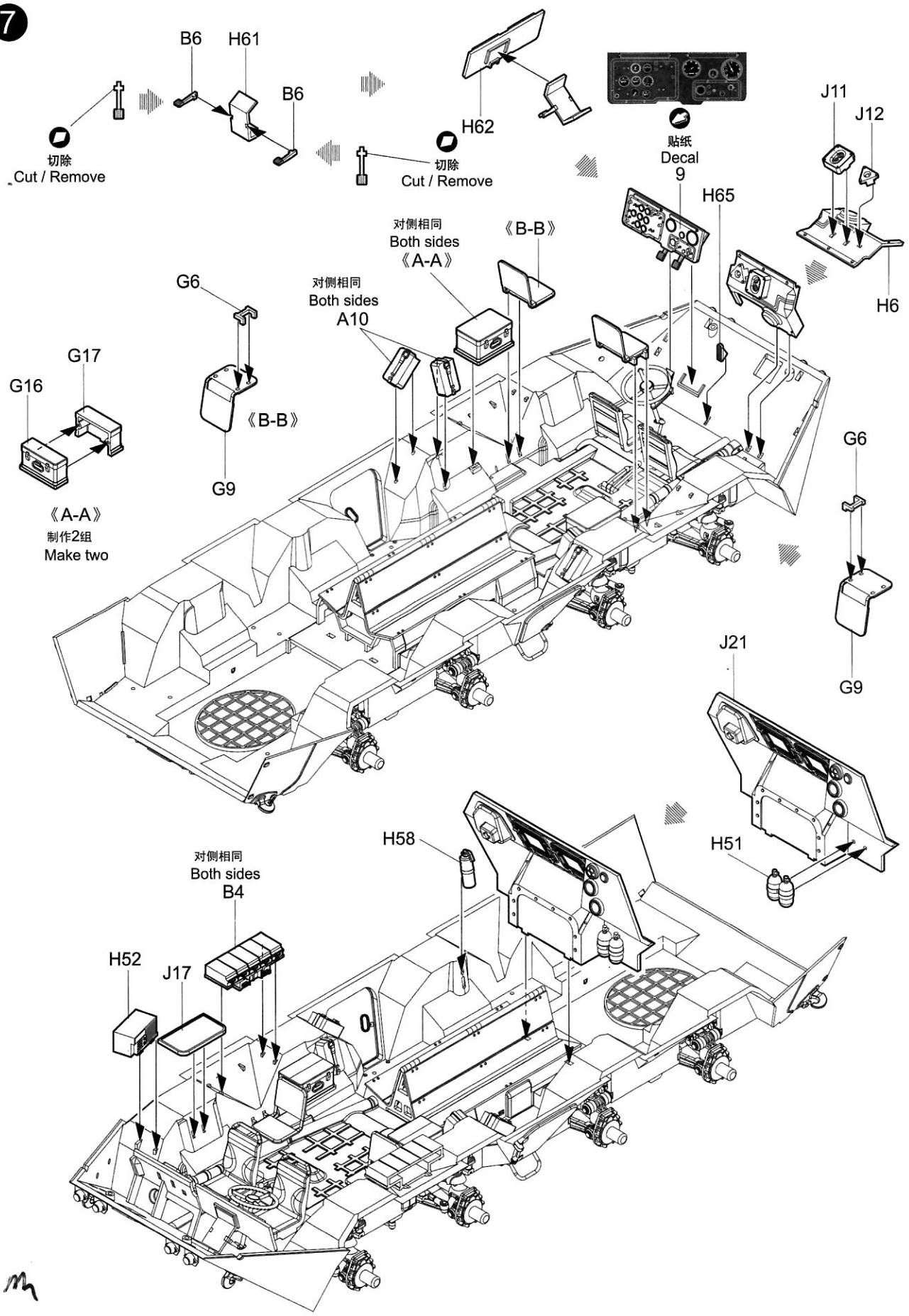
4



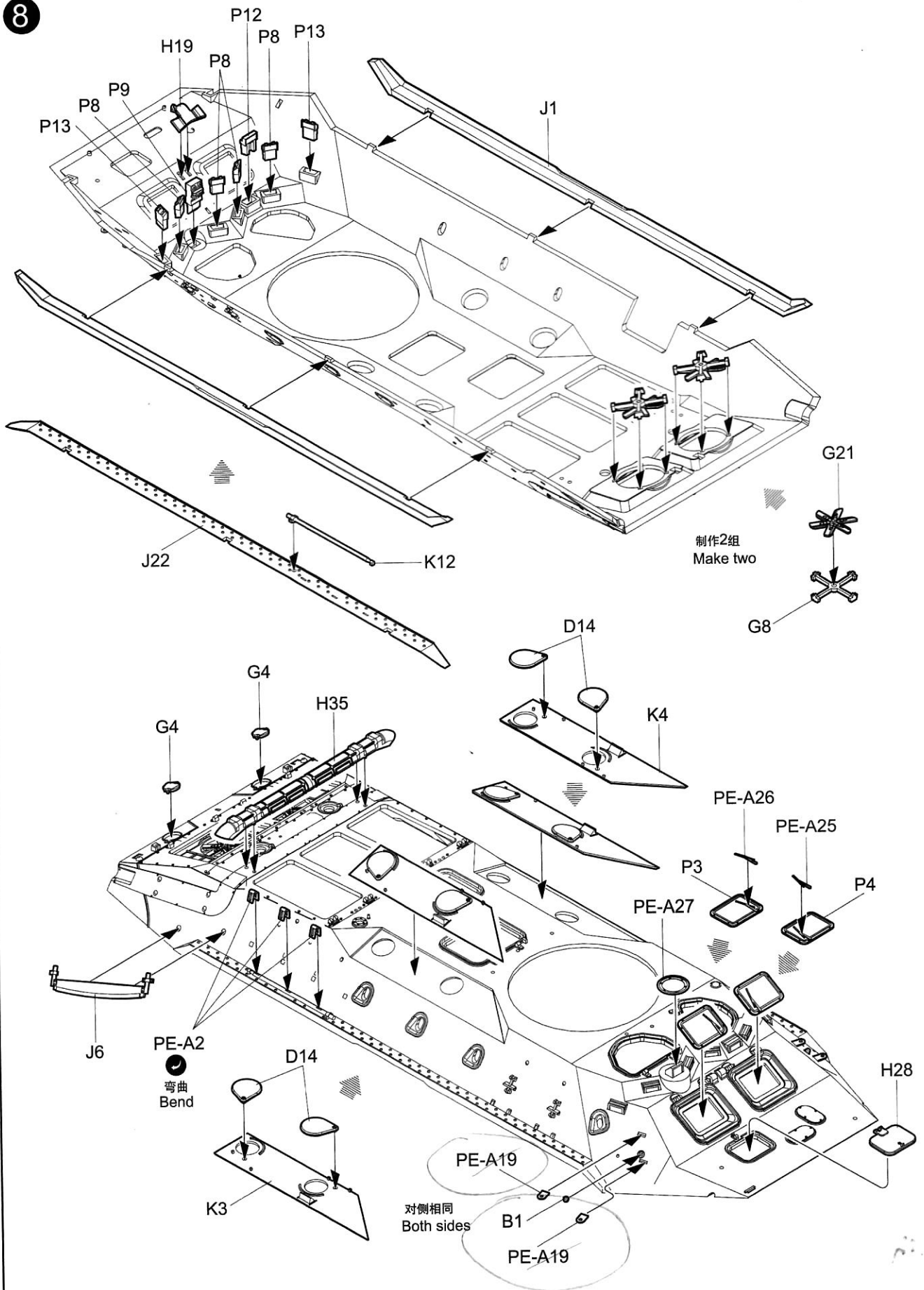
6

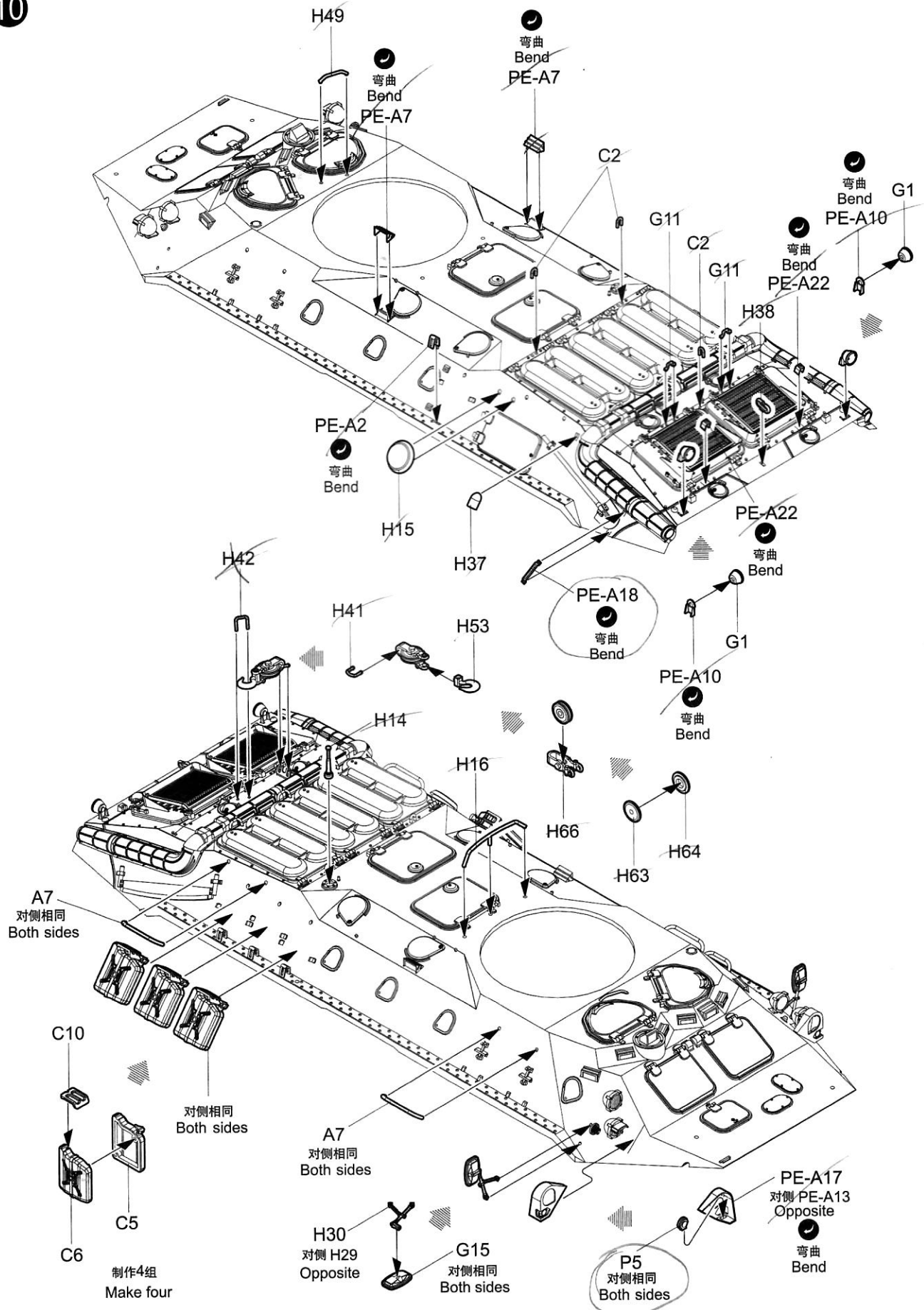


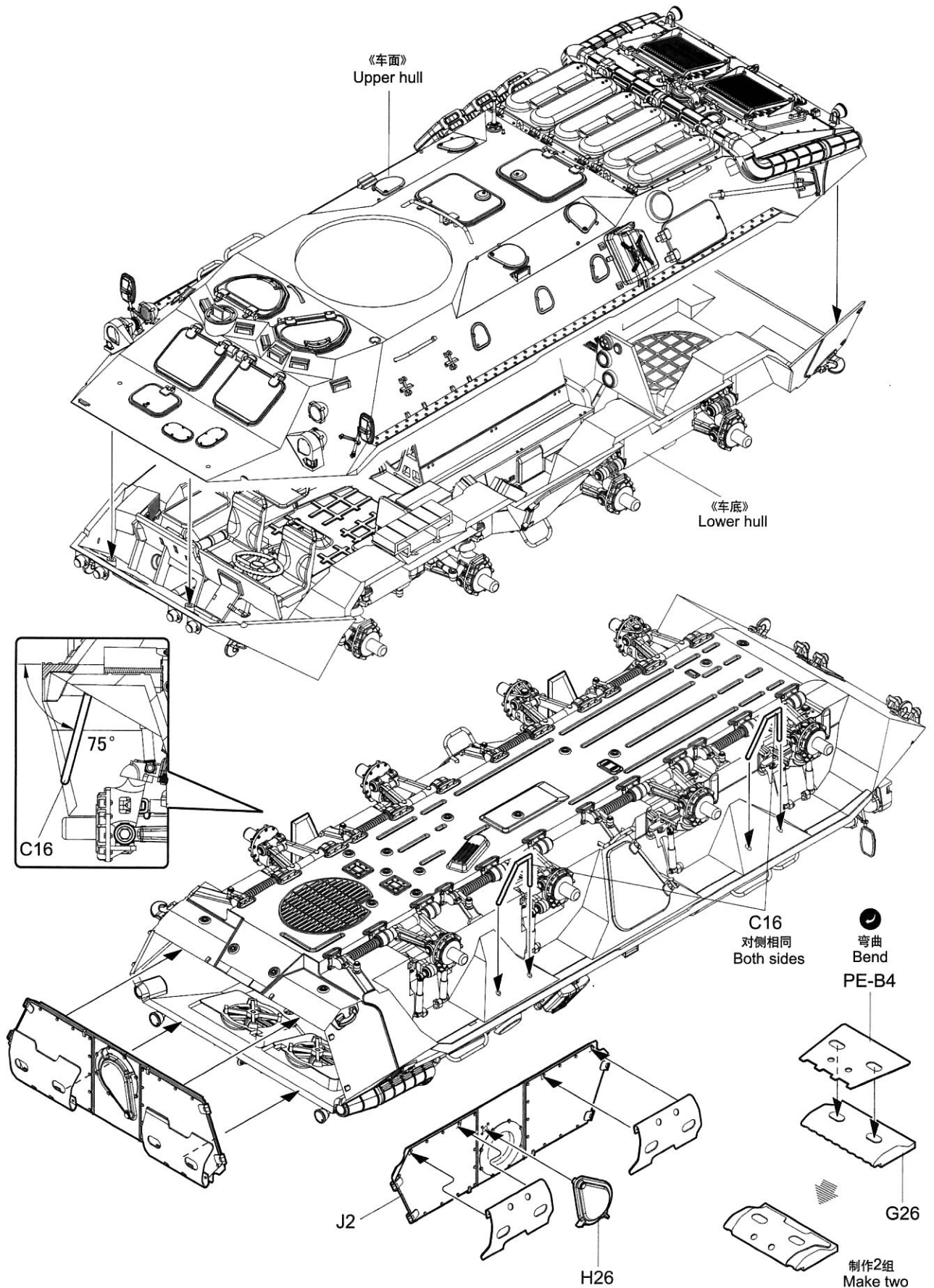
7



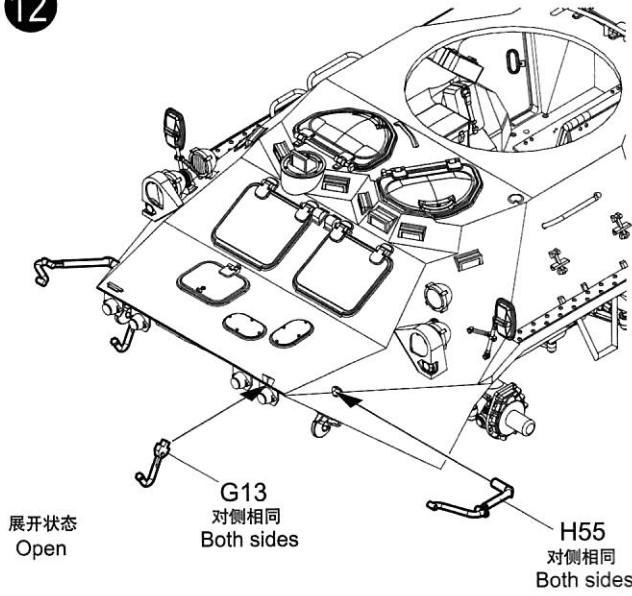
8







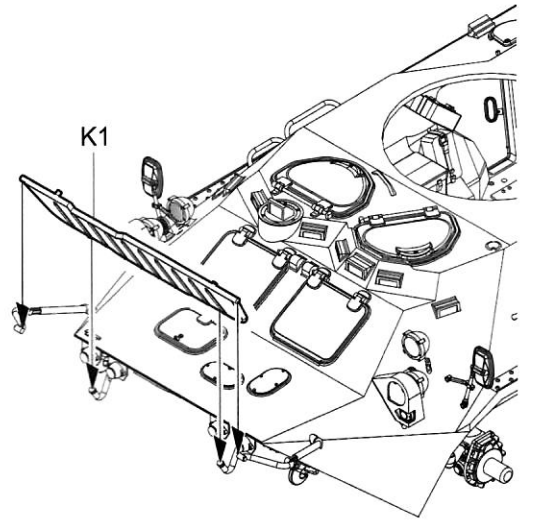
12



展开状态
Open

G13
对侧相同
Both sides

H55
对侧相同
Both sides

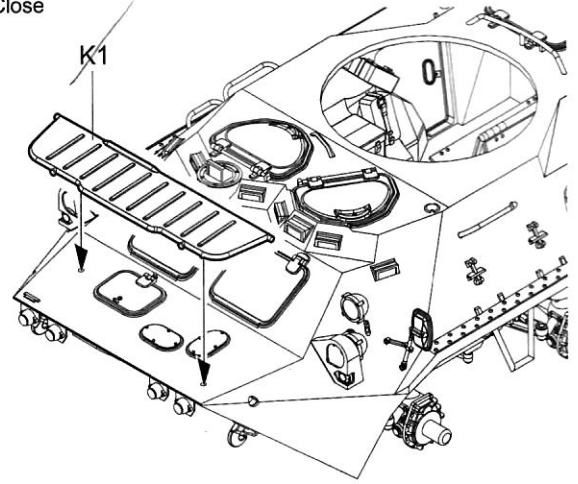


K1

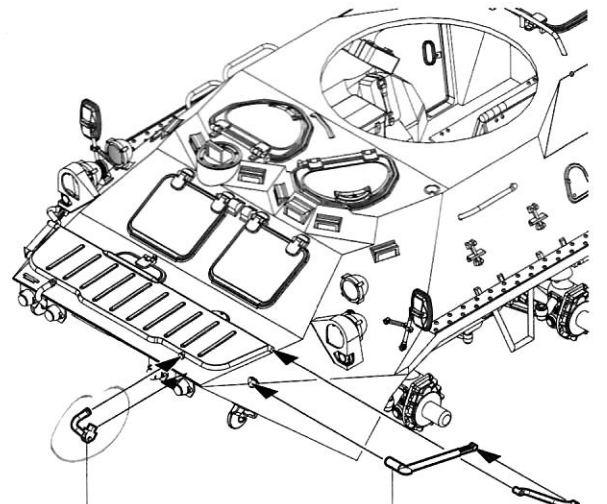
2

选择
Option

收起状态
Close



K1



G12
对侧相同
Both sides

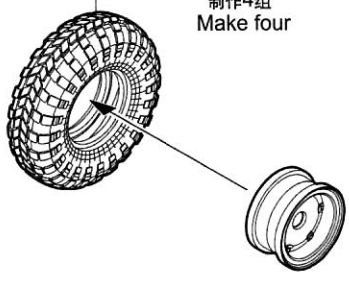
H45
对侧相同
Both sides

G14
对侧相同
Both sides

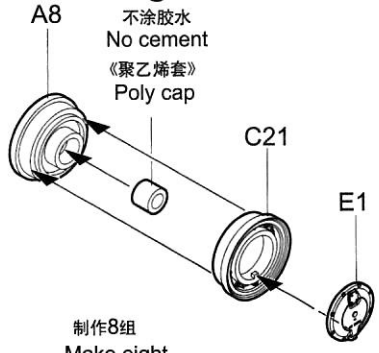
13

《轮胎》
Tyre

《左侧轮胎》
Left tyre
制作4组
Make four

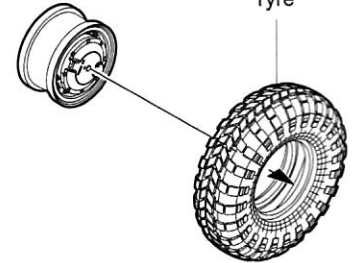


A8
不涂胶水
No cement
《聚乙烯套》
Poly cap



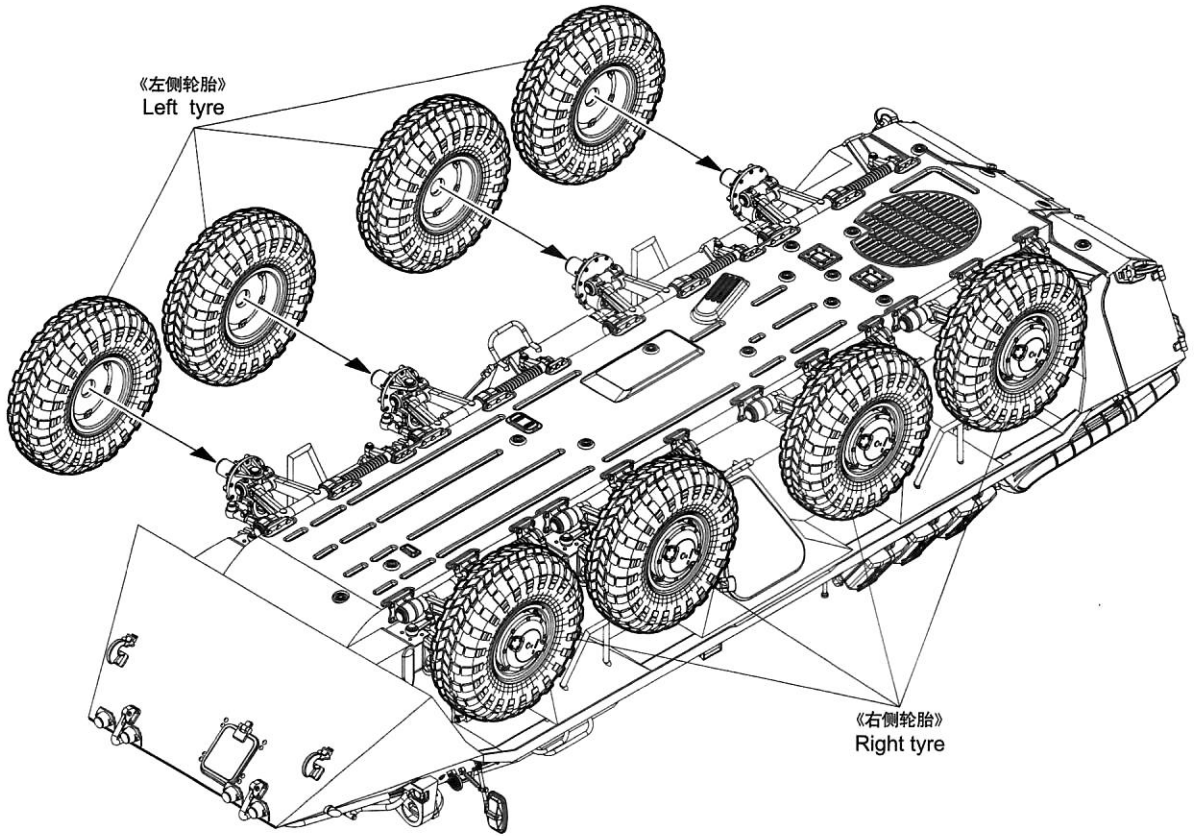
制作8组
Make eight

《右侧轮胎》
Right tyre
制作4组
Make four

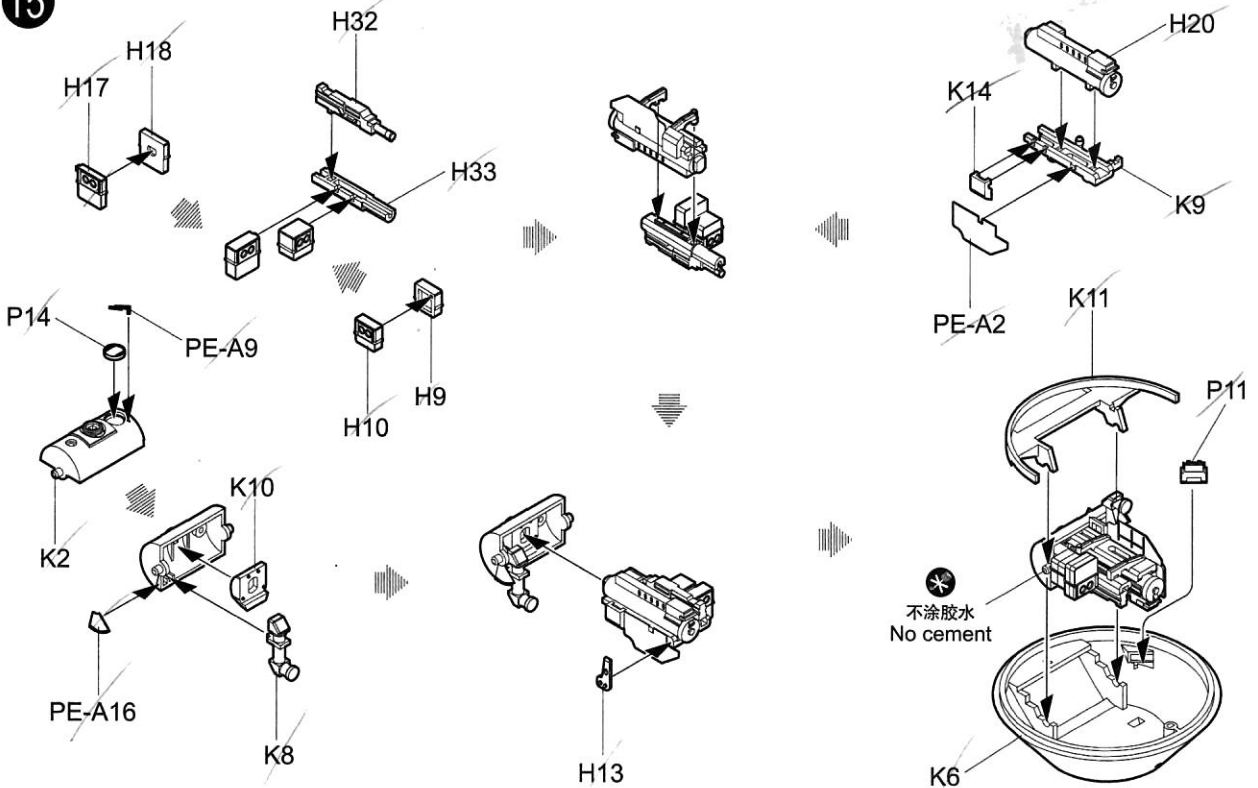


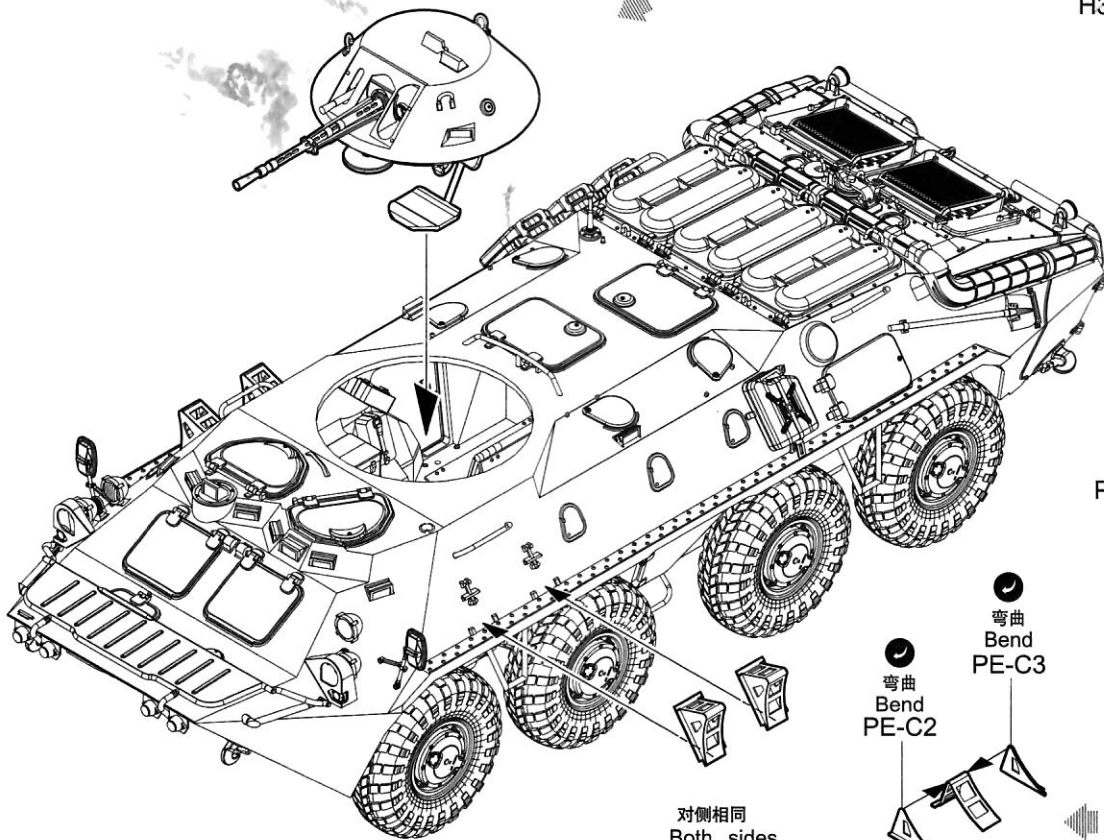
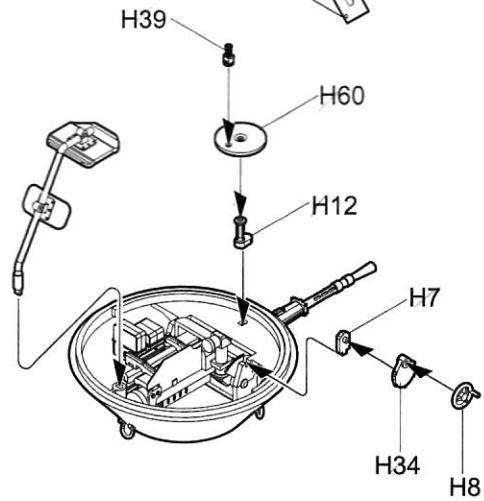
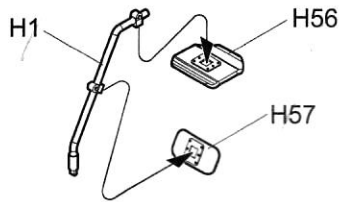
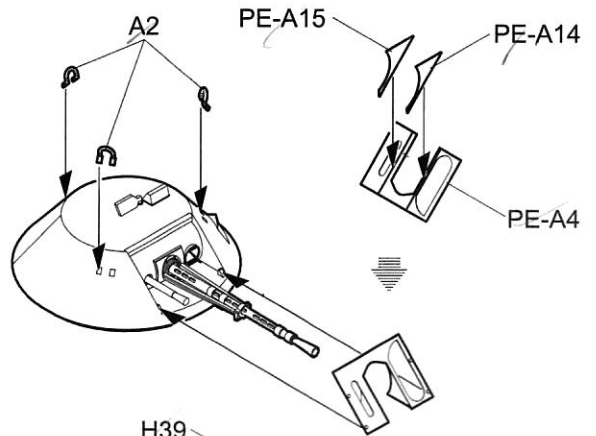
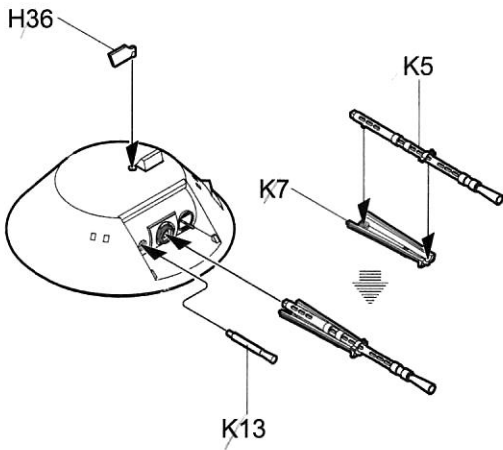
《轮胎》
Tyre

14

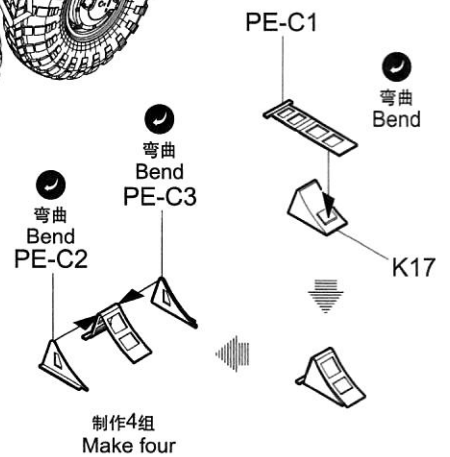


15





对侧相同
Both sides

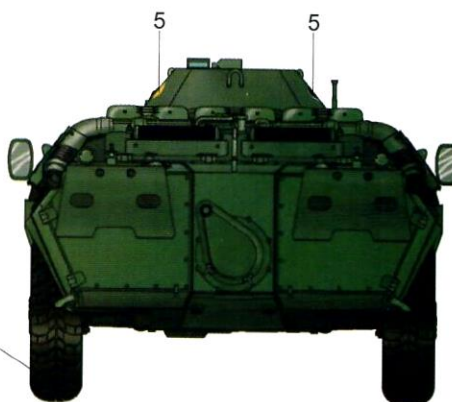
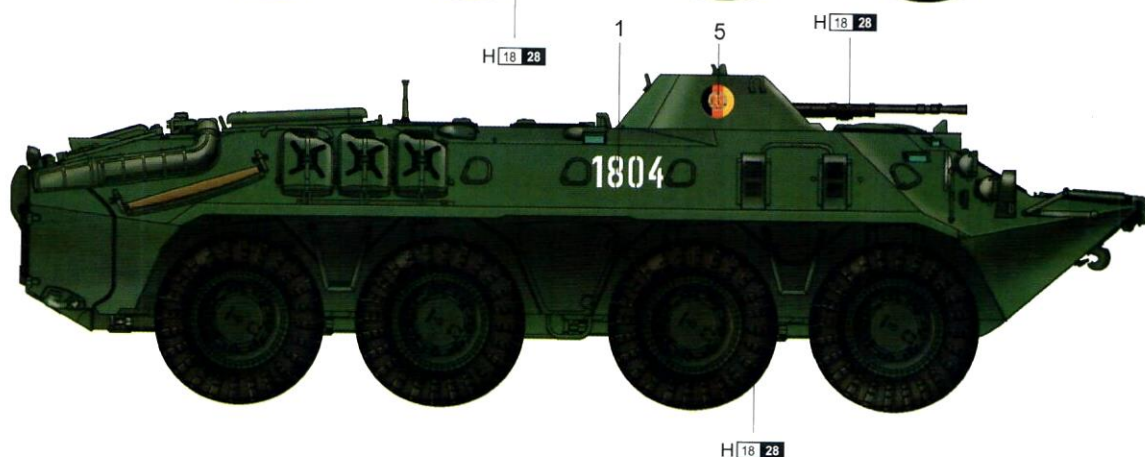
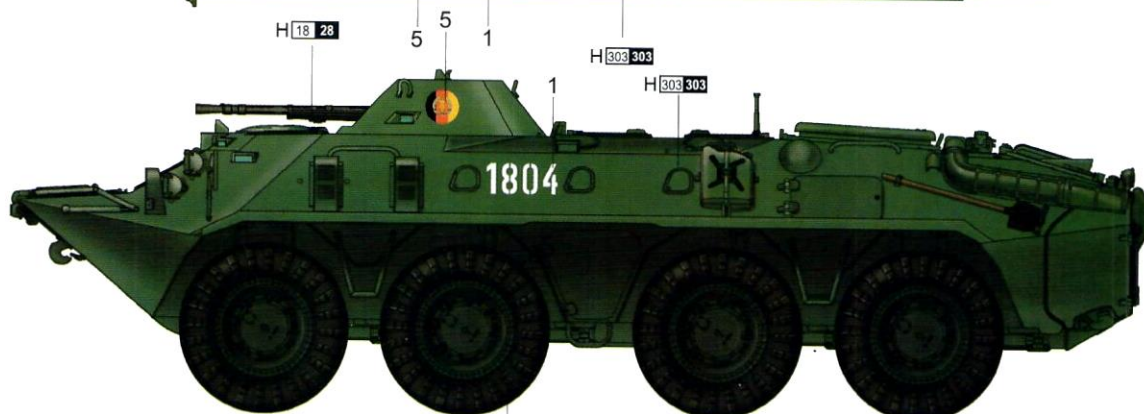
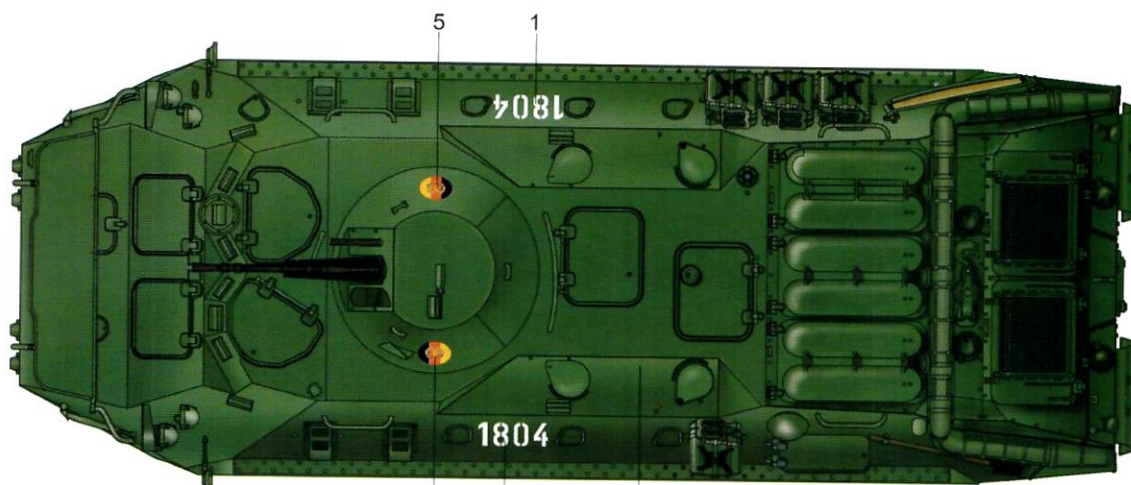


涂装同标贴指示

Painting & Marking guide

PAINT REFERENCE COLOUR

| Color | Mr.Hobby | Vallejo | Model Master | Tamiya | Humbrol |
|--------------------------|-----------|---------|--------------|--------|---------|
| Light Green 绿色 | H 803 303 | — | 1713 | XF20 | 117 |
| Steel/Metal Black 黑灰色 | H 18 28 | 864 | 1402 | — | — |



H 18 28

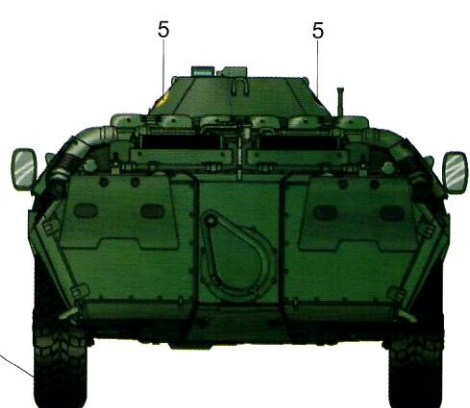
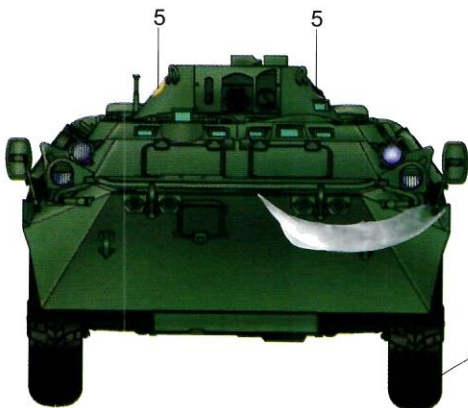
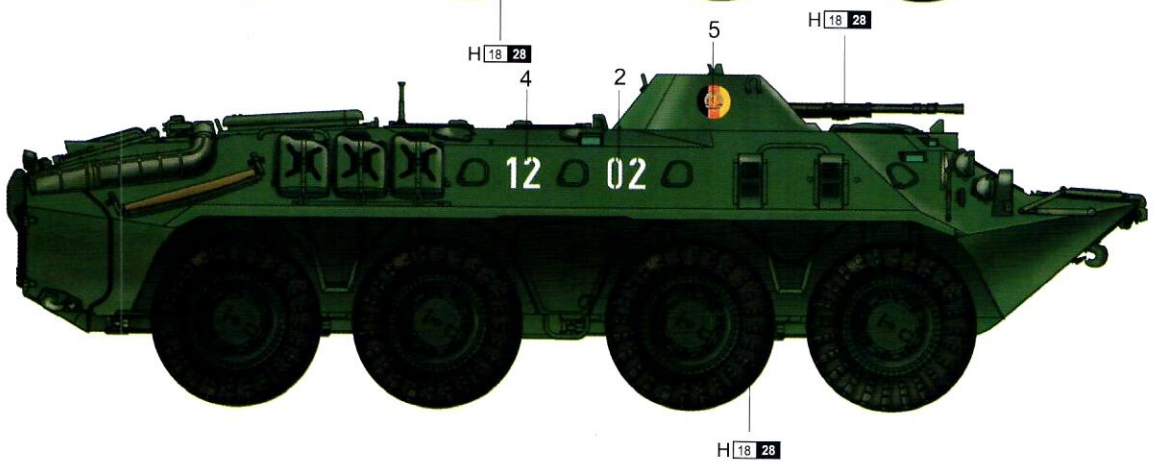
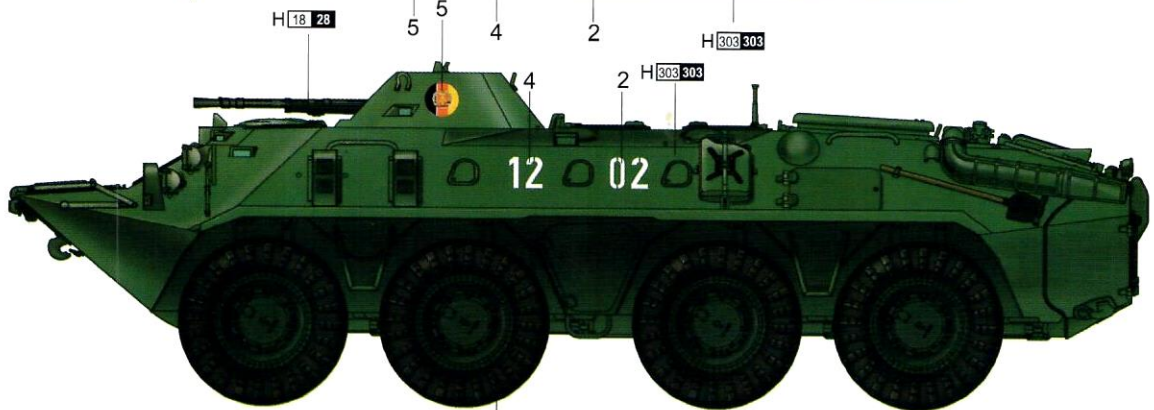
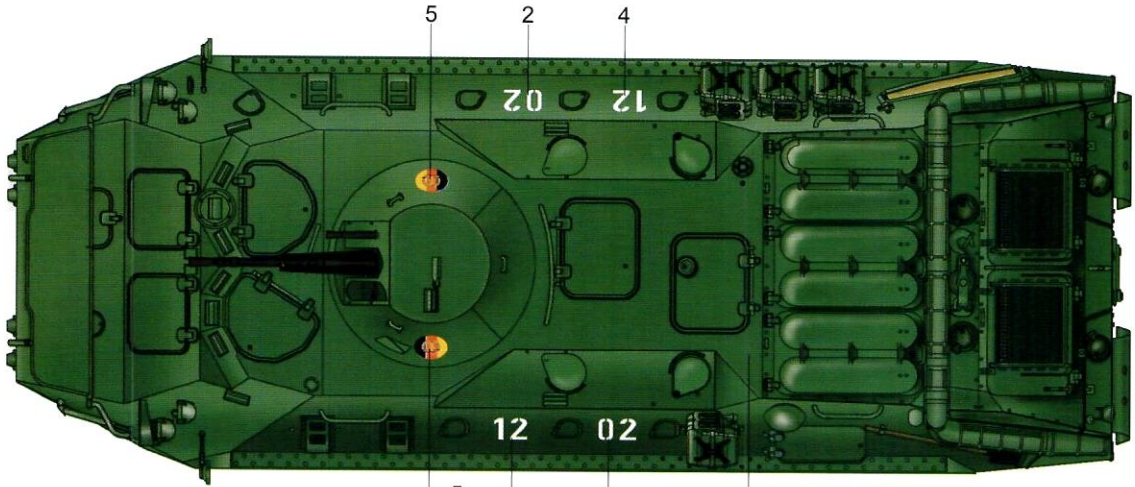
H AQUEOUS HOBBY COLOR Mr. COLOR

涂装同标贴指示

Painting & Marking guide

PAINT REFERENCE COLOUR

| Color | Mr.Hobby | Vallejo | Model Master | Tamiya | Humbrol |
|--------------------------|-----------|---------|--------------|--------|---------|
| Light Green 绿色 | H 303 303 | — | 1713 | XF20 | 117 |
| Steel/Metal Black 黑铁色 | H 18 28 | 864 | 1402 | — | — |



H AQUEOUS HOBBY COLOR

Mr. COLOR