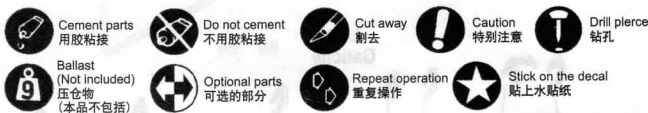
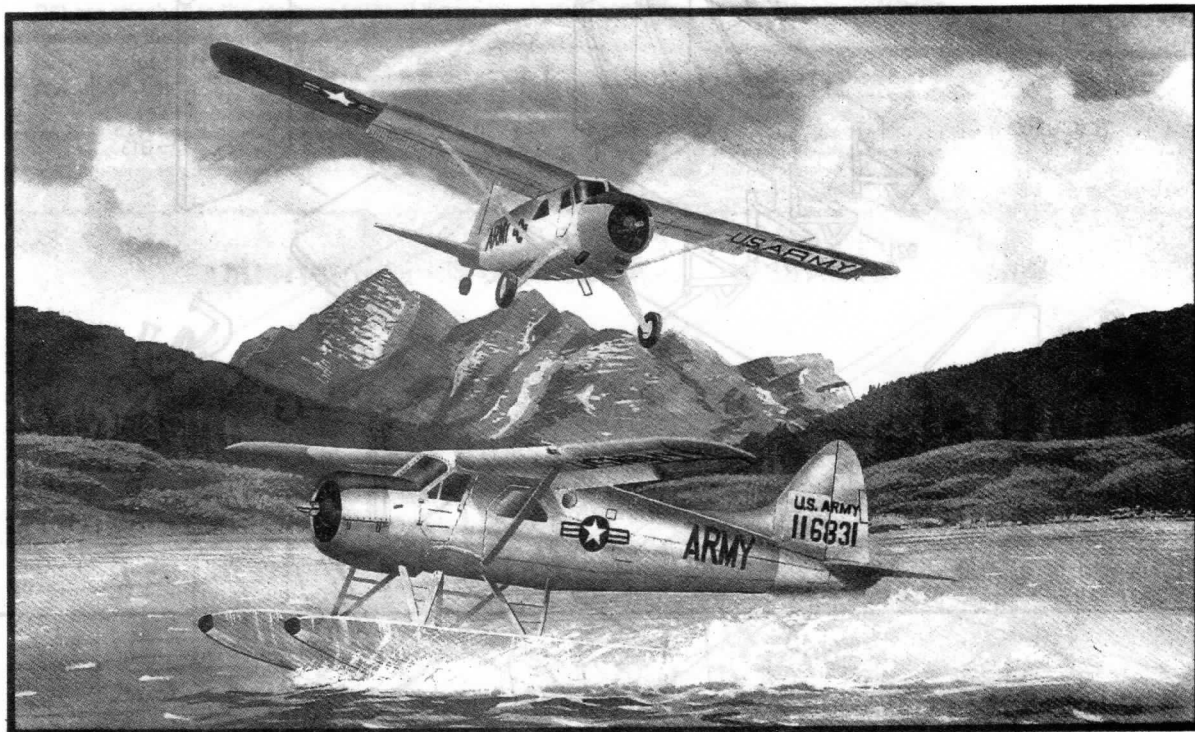


WARNING :
 CHOKING HAZARD-Small parts.
 Not for children under 3 years.

1/72

08M-H1330

DHC-2



Attention-Useful Advice

1. Study the instructions carefully prior to assembly.
2. Check the fitness of each part before assembling.
3. Remove parts from frame with a sharp knife or a pair of scissors and trim away excess plastic. Be careful, do not break off any plastic parts.
4. Don't pull off the parts from frame.
5. Use plastic cement only and use cement sparingly to avoid damaging the model.
6. Paint small parts before detaching them from frame.
7. Remove paint where parts are to be cement.
8. Parts with shadows are not used for this model.

CAUTION

1. Before you start assembly, you should read all the instructions carefully.
2. Please have all the necessary tools ready before start assembling.
3. The removed plastic parts have sharp, pointed or jagged edges. Remove these with a file or sandpaper.
4. Do not use glue or paint near open flame. Keep the window open.
5. Plastic bags can be dangerous. To avoid danger of suffocation, keep this bag away from babies and children.
6. Keep out of the reach of children under 36 months old, as some parts are detachable. Children must not be allowed to suck any parts with this kits.
7. Please keep this instructions for future reference because it contains important information.

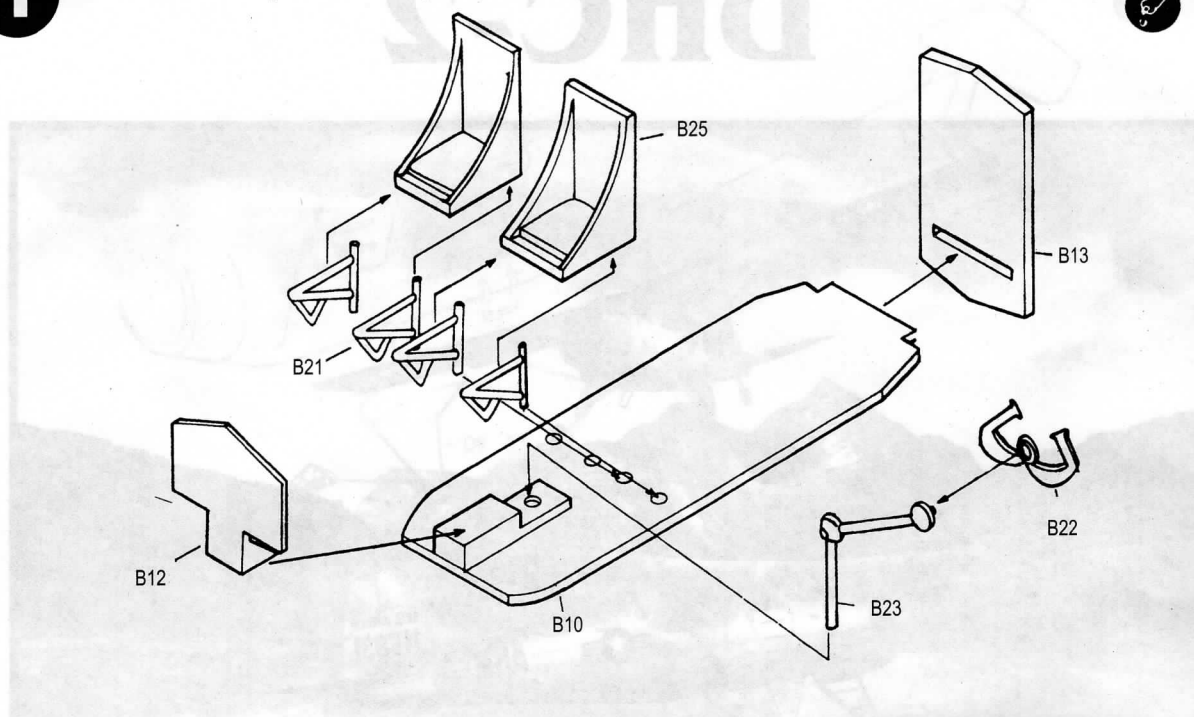
注意:拼装技巧提议

1. 拼装之前请仔细阅读说明书。
2. 拼装之前请检查每部份零件是否吻合。
3. 请用小切刀或模型剪从注塑件中剪去多余的胶片, 请小心, 勿剪断塑胶零件。
4. 切勿从塑胶片中拉断零件。
5. 请使用模型专用胶水粘合, 小心使用胶水以免损坏模型。
6. 请先替小零件涂上颜色, 然后才将小零件从塑胶片中取出。
7. 请刮去零件要沾合处的油漆。
8. 阴影部分的零件不是作为装配此模型之用。

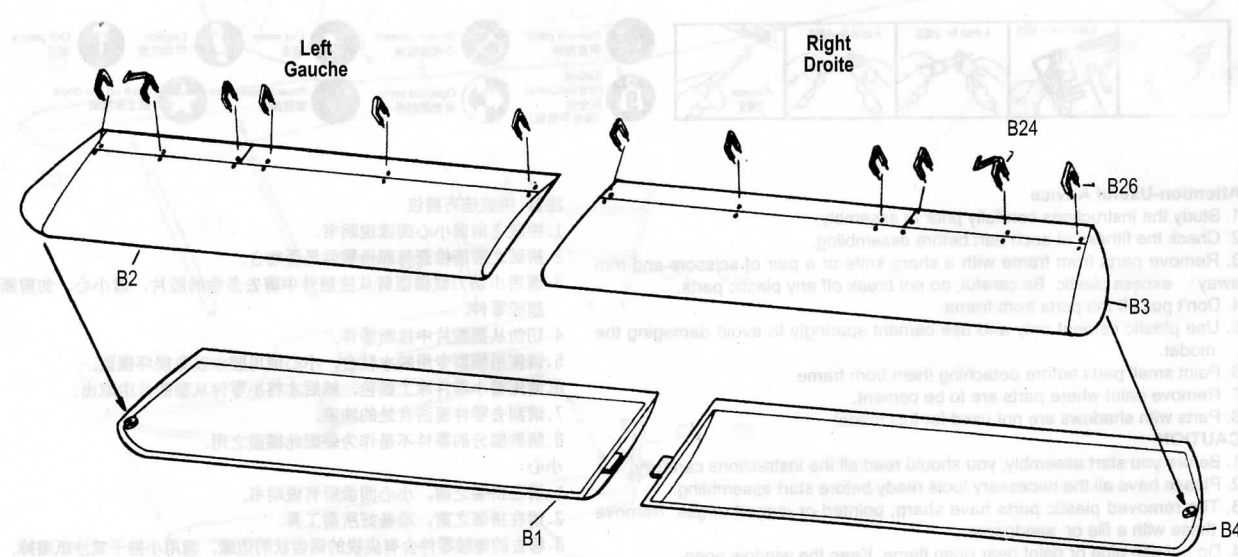
小心:

1. 请在拼装之前, 小心阅读所有说明书。
2. 请在拼装之前, 准备好所需工具。
3. 移去的塑胶零件会有尖锐的锯齿状的边缘, 请用小挫子或沙纸磨掉。
4. 切勿在火旁使用胶水或油漆, 应保持窗户通风。
5. 胶袋可以造成危险, 为避免窒息, 请勿让婴儿及小孩接触此胶袋。
6. 由于部分零件是可以分开的, 切勿让3岁以下小孩接触。禁止让此模型的零件让小孩含入口中。
7. 请保留此说明书作为将来参考之用, 因为此说明书包含重要资料。

1 Interior Assembly / Assemblage de L' Interieur



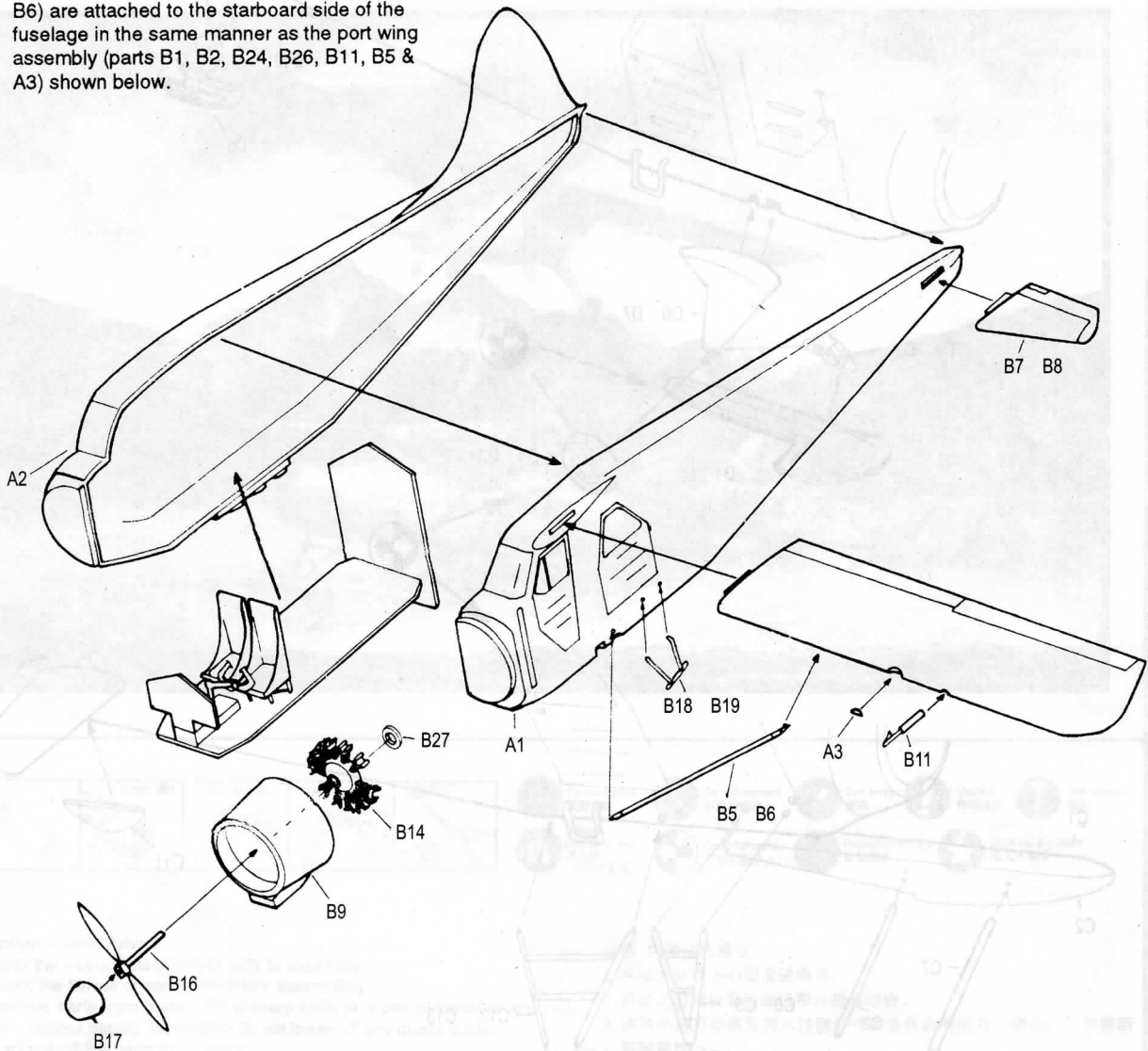
2 Wing Assembly / Assemblage des Ailes



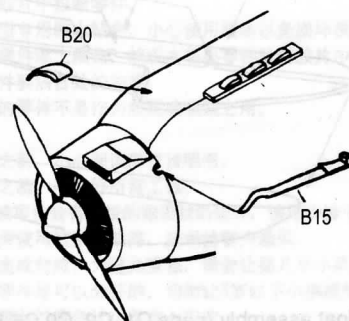
3

Wing & Fuselage Assembly / Assemblage Ailes & Fuselage

The starboard wing assembly (parts B3, B4, B24, B26) and the wing support strut (part B6) are attached to the starboard side of the fuselage in the same manner as the port wing assembly (parts B1, B2, B24, B26, B11, B5 & A3) shown below.

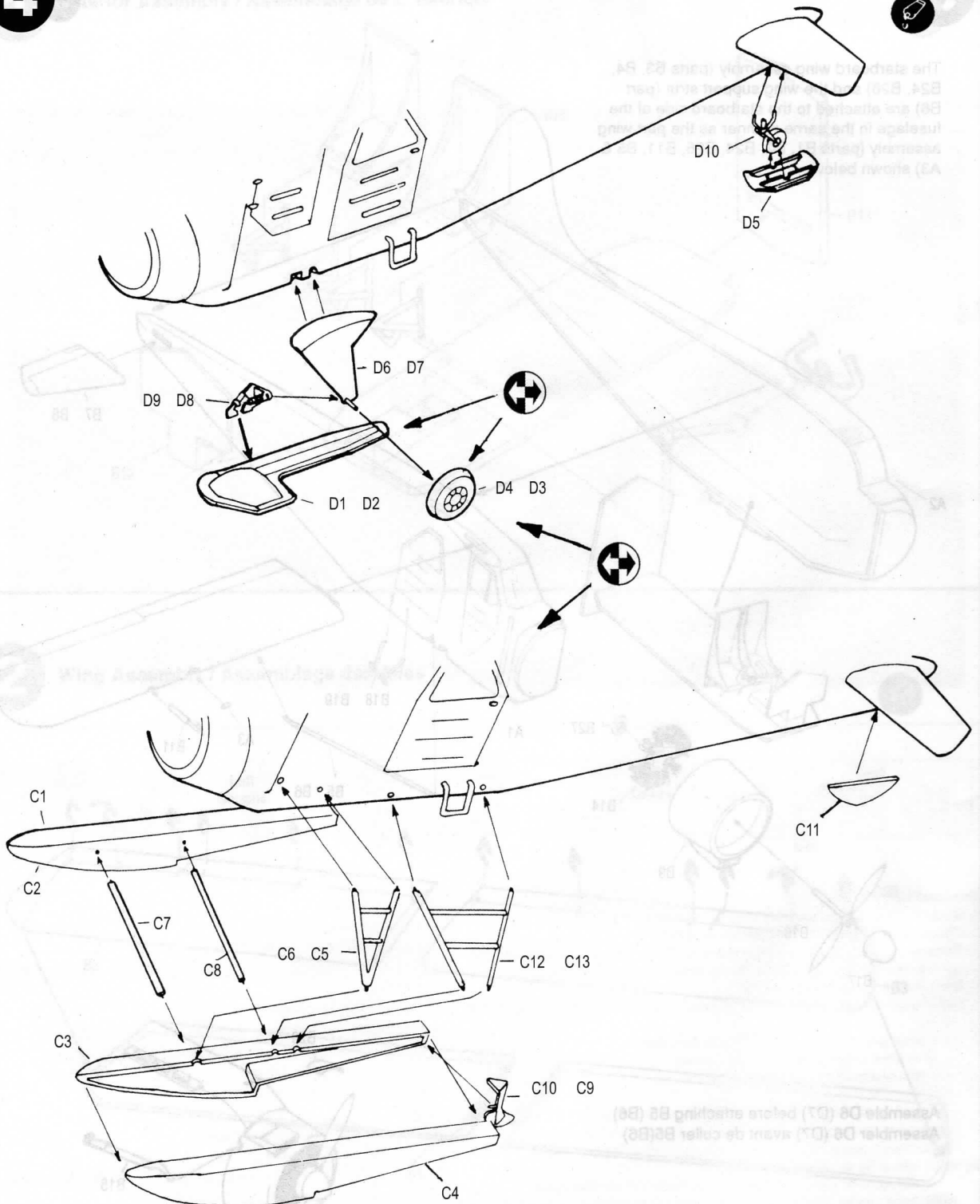


Assemble D6 (D7) before attaching B5 (B6)
 Assembler D6 (D7) avant de coller B5(B6)



4

Landing Gear-Wheels/Skis & Floats / Train D' Atterrissage-Roues et Skies des Flottes



Starboard float assembly (parts C1, C2, C9 C6 & C13 attach to the starboard fuselage like the port float assembly parts (C3, C4, C10, C5 & C12) attach to the port fuselage.