

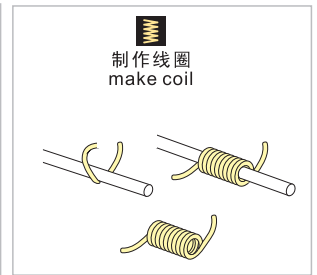
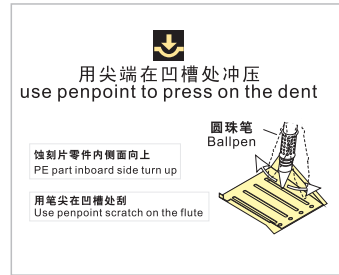
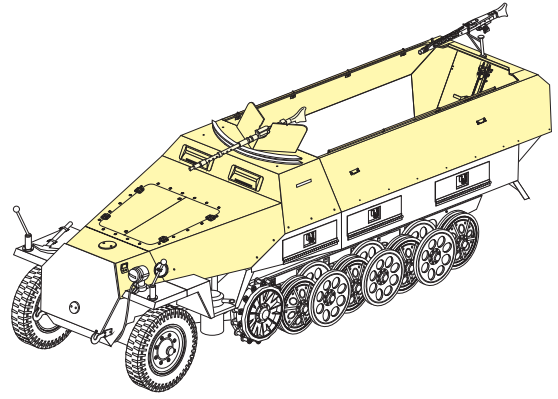
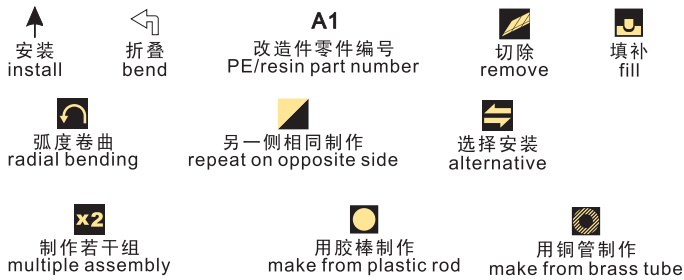
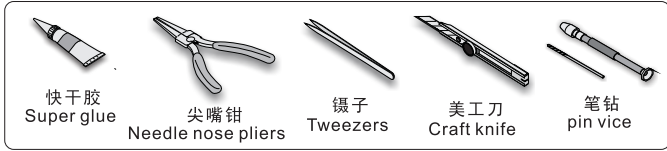
1/35 MILITARY MINIATURE VEHICLE UPGRADE SERIES PE35265

WWII German Sd.Kfz.251 Ausf.D Early Version Armour Plate

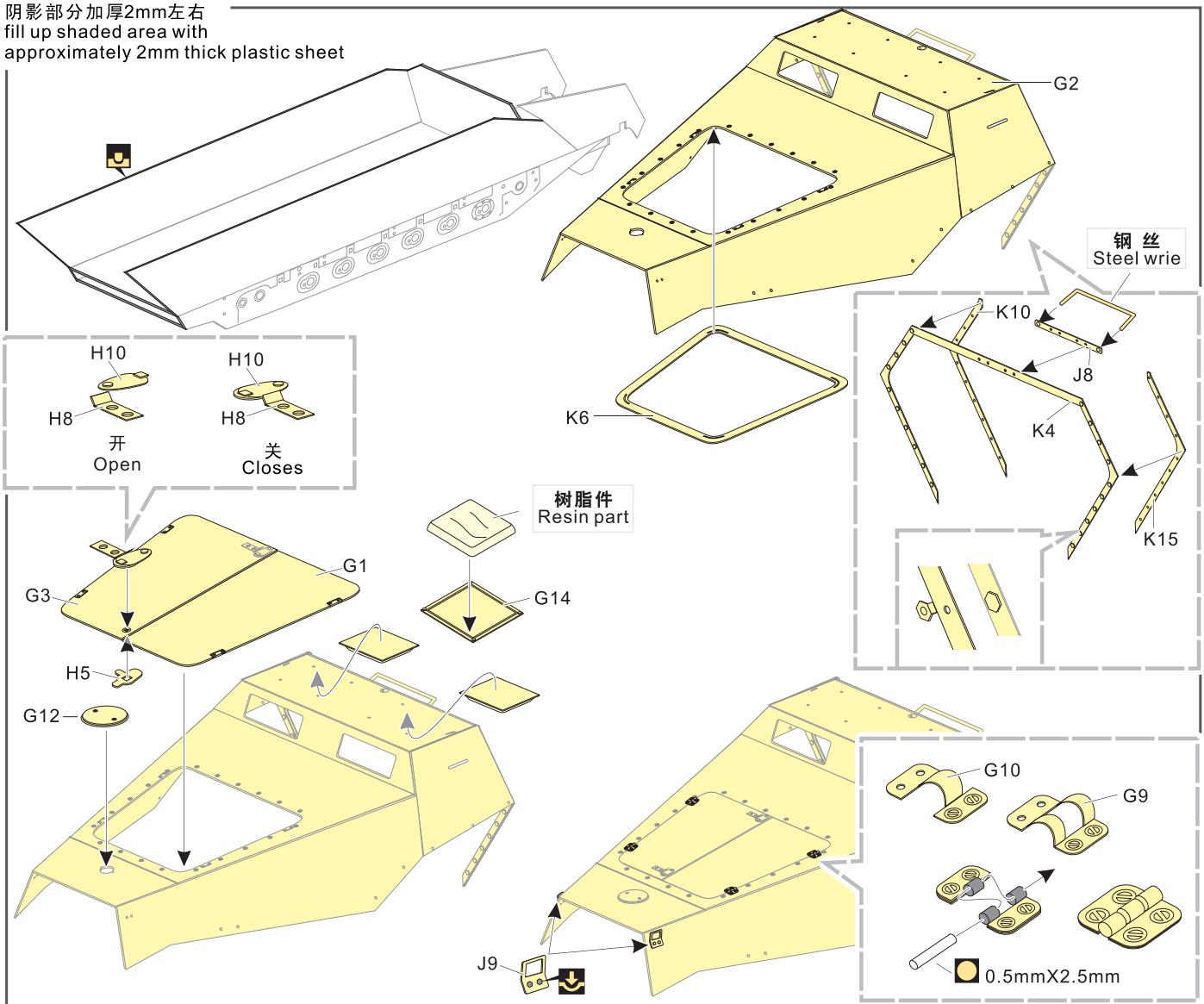
二战德军Sd.Kfz.251 Ausf.D装甲车早期型装甲板改造件

[For DRAGON Kit]

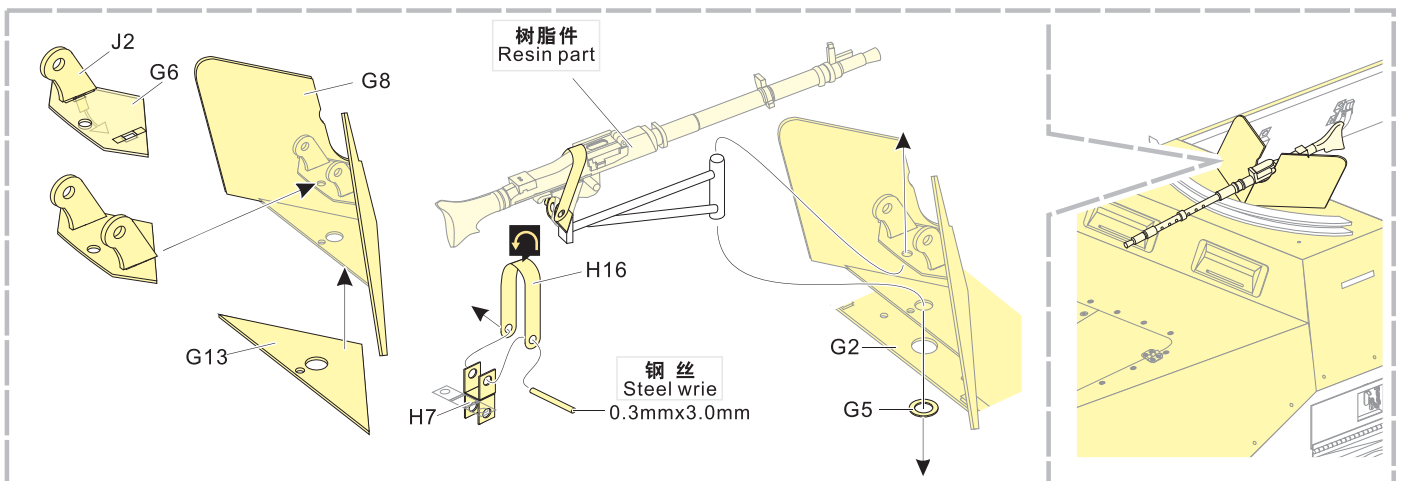
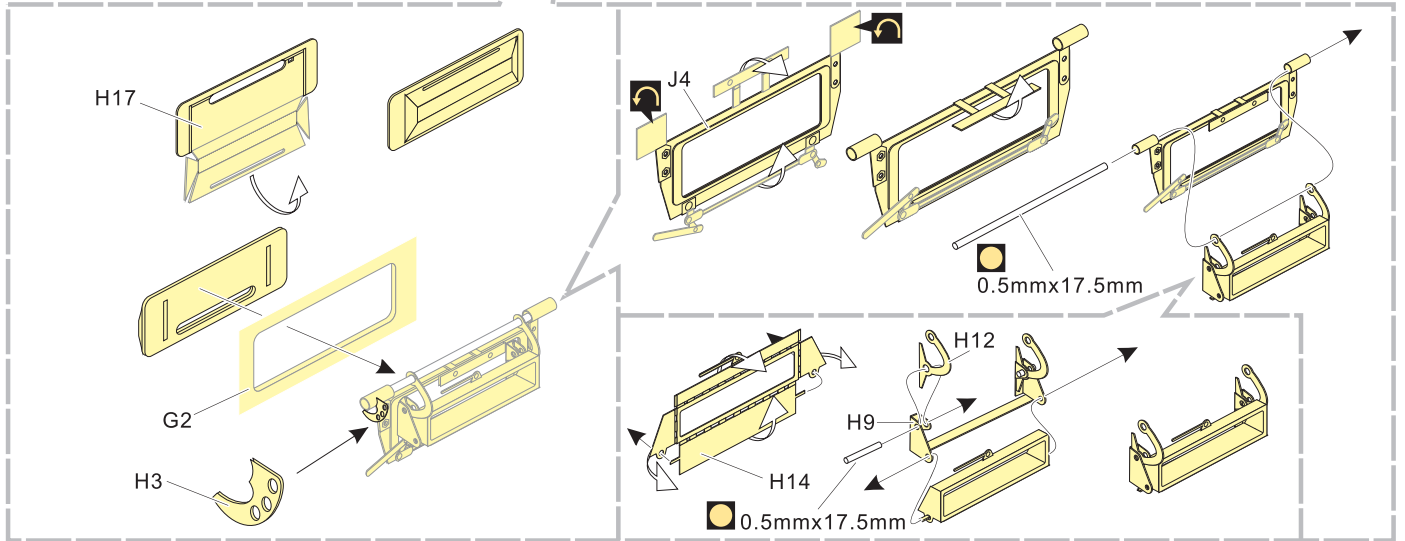
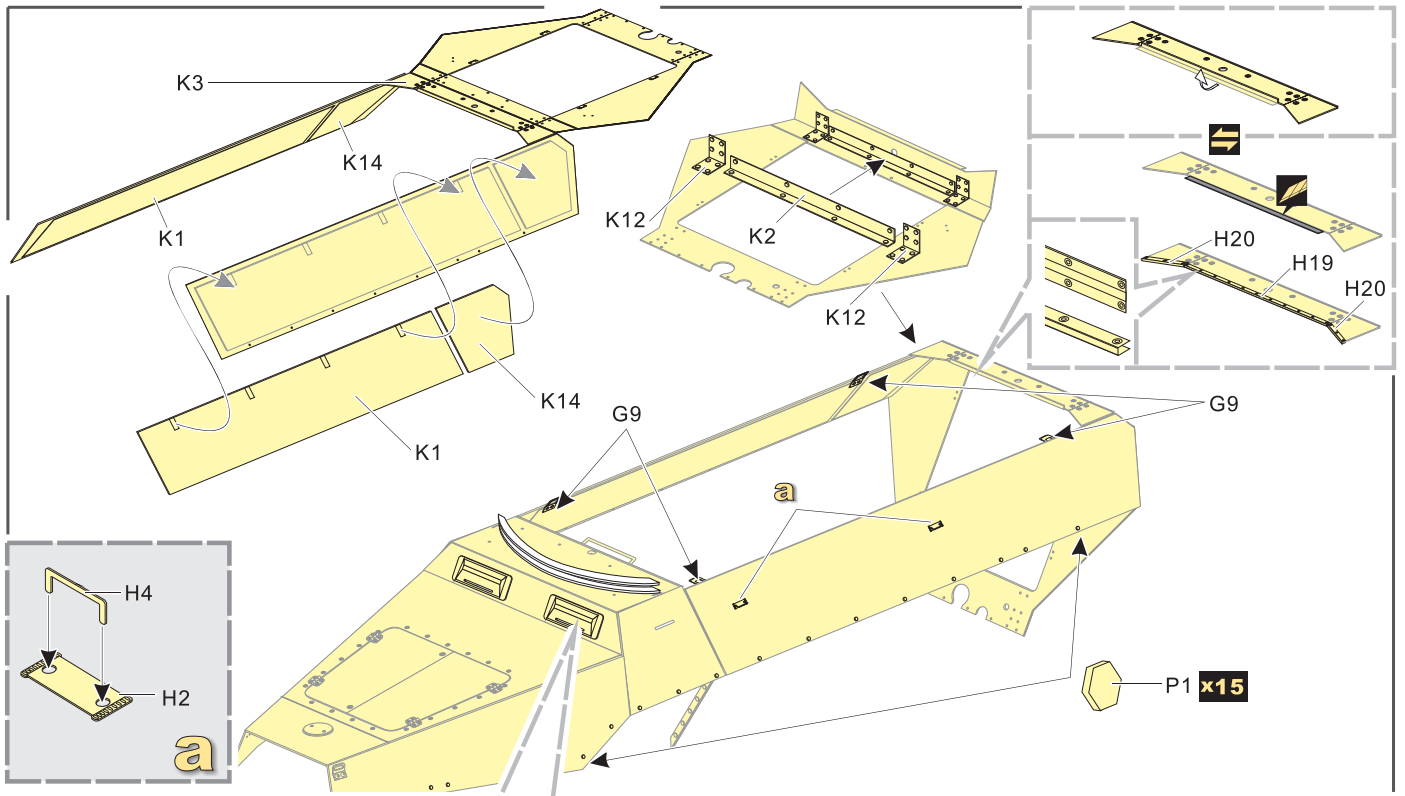
推荐使用工具 RECOMMENDED TOOLS



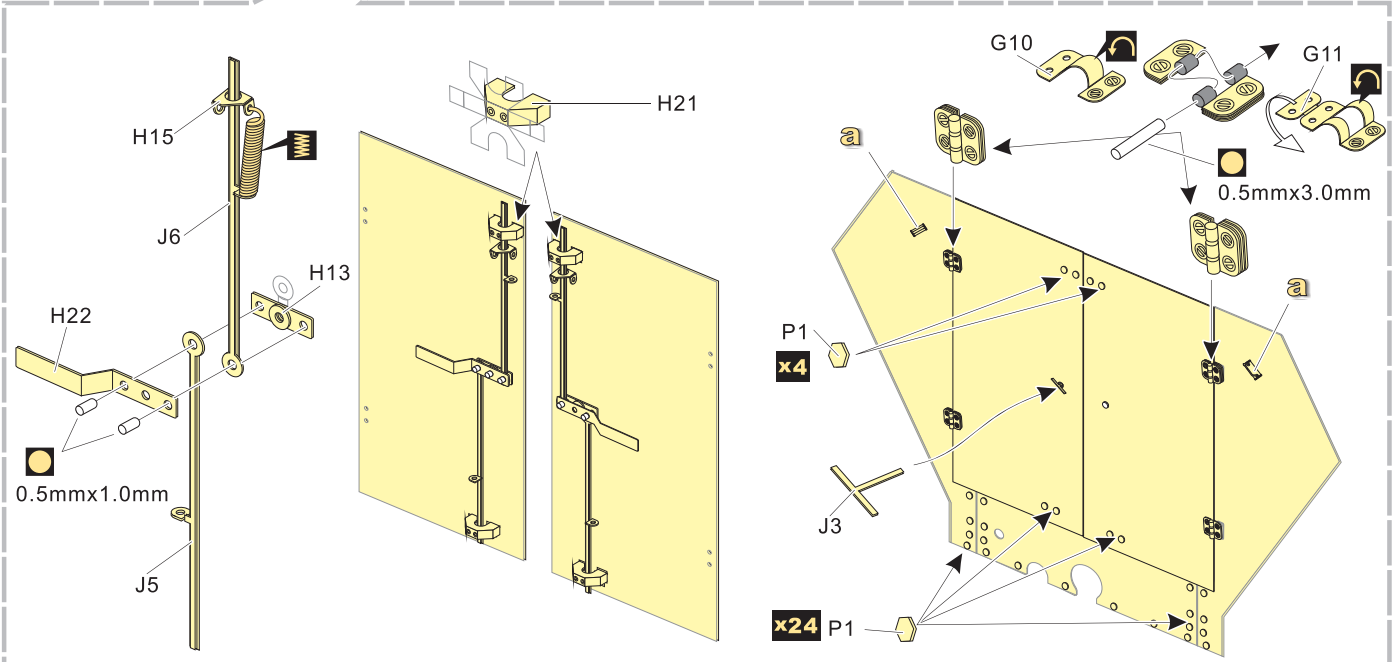
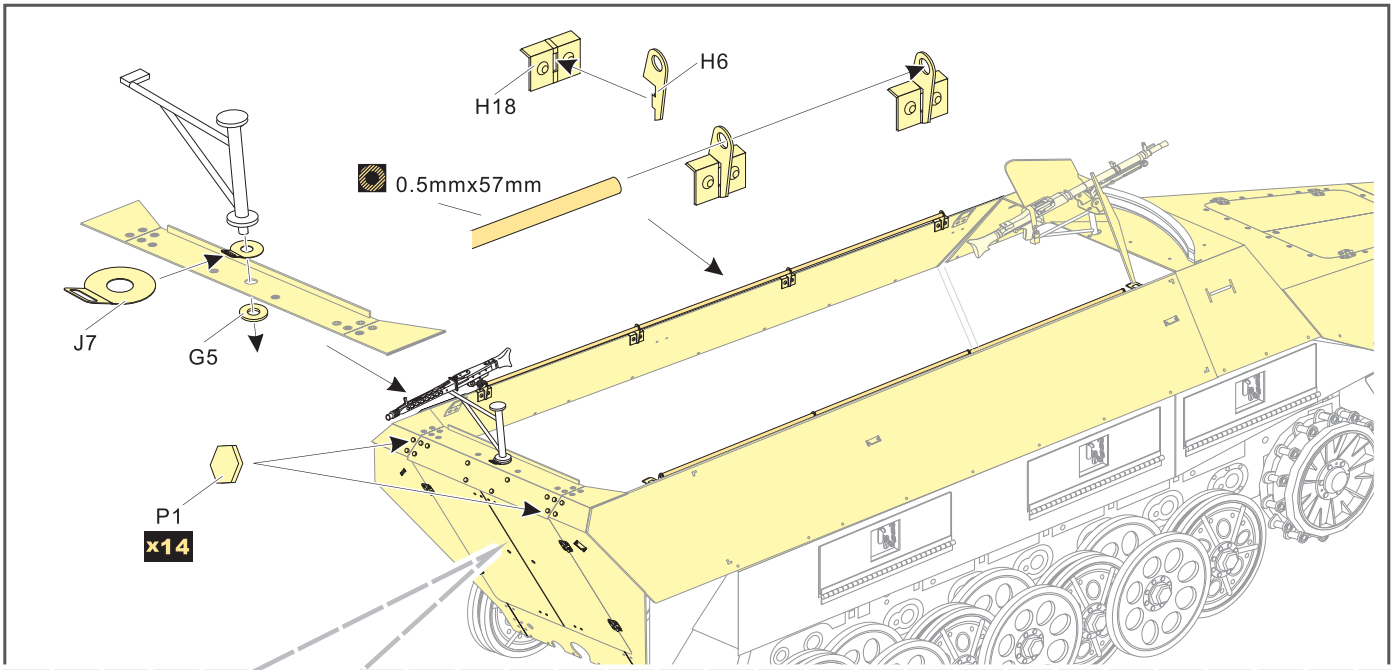
阴影部分加厚2mm左右
fill up shaded area with
approximately 2mm thick plastic sheet



1/35 MILITARY MINIATURE VEHICLE UPGRADE SERIES PE35265



1/35 MILITARY MINIATURE VEHICLE UPGRADE SERIES PE35265



推荐使用PE35258二战德军Sd.Kfz.251/1 Ausf.D装甲运兵车基本改造件进一步升级
We suggest use PE35258 WWII German Sd.Kfz.251/1 Ausf.D Armoured Personnel Carrier for further upgrade.

推荐使用PEA117二战德军 Sd.Kfz.251 /Sd.Kfz.11装甲车重力轮胎式样1进一步升级
We suggest use PEA117 WWII German Sd.Kfz.251 /Sd.Kfz.11 Road Wheels Pattern 1 for further upgrade.

推荐使用PE35263二战德军Sd.Kfz.251/1 Ausf.D装甲运兵车内部座位及杂物箱改造件进一步升级
We suggest use PE35263 WWII German Sd.Kfz.251/1 Ausf.D Armoured Personnel Carrier Back seats & boxes for further upgrade.

推荐使用PE35264二战德军Sd.Kfz.251 Ausf.D装甲车外部杂物箱及翼子板改造件进一步升级
We suggest use PE35264 WWII German Sd.Kfz.251 Ausf.D Side Stowage Bins & Fenders for further upgrade.

推荐使用PE35266二战德军Sd.Kfz.251 Ausf.D装甲车地板改造件进一步升级
We suggest use PE35266 WWII German Sd.Kfz.251 Ausf.D Floor for further upgrade.

