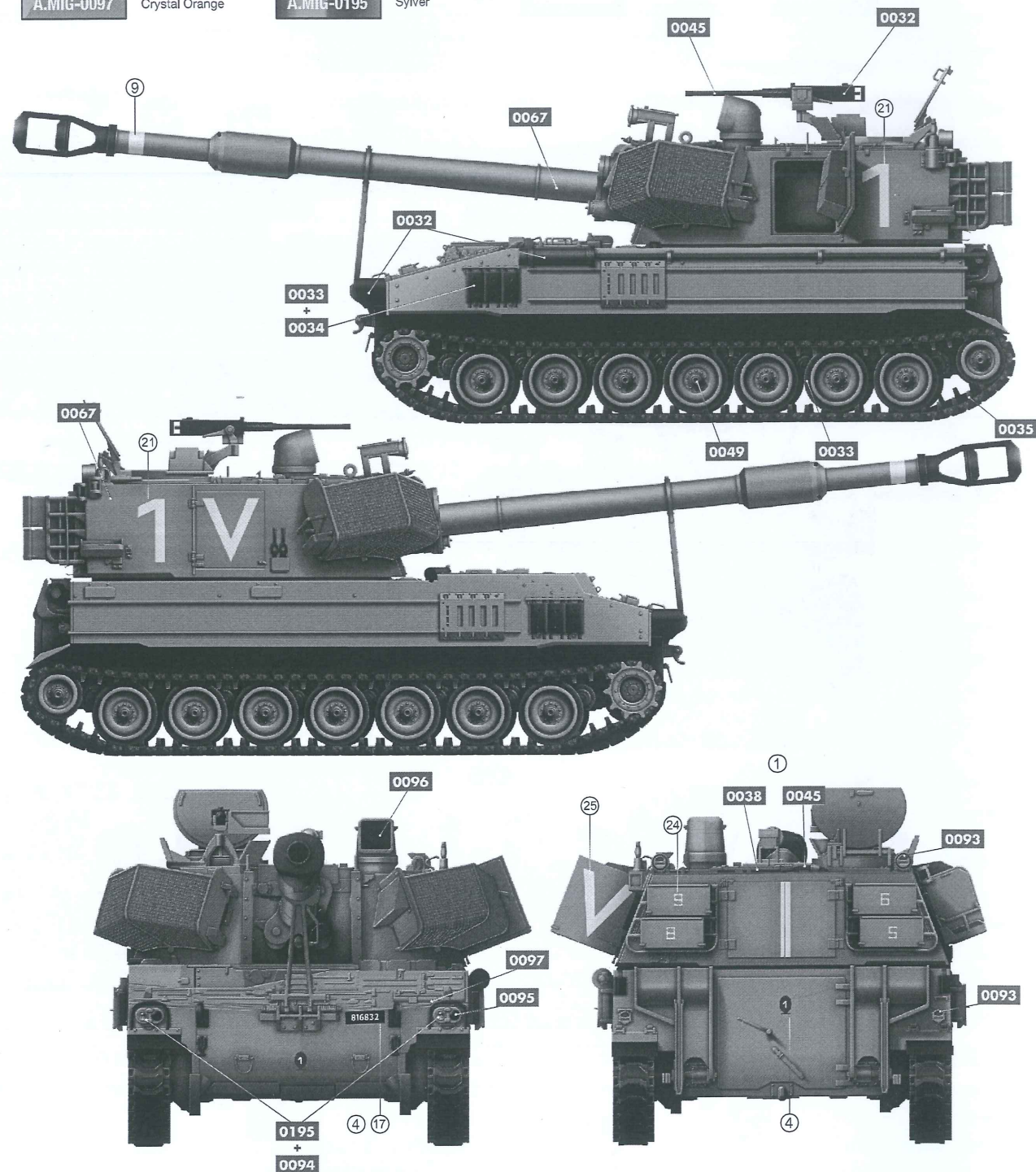


M-109 ROCHEV/M-109 DOHER

- | | | | |
|----------------------------------|----------------------------------|---------------------------------|---|
| A.MIG-0032 Satin Black | A.MIG-0033 Rubber & Tires | A.MIG-0034 Rust Tracks | A.MIG-0035 Dark Tracks |
| A.MIG-0038 New Wood | A.MIG-0045 Gun Metal | A.MIG-0049 Red | A.MIG-0067 Light Sand Grey |
| A.MIG-0093 Crystal Glass | A.MIG-0094 Crystal Glass | A.MIG-0095 Crystal Smoke | A.MIG-0096 Crystal Periscope Green |
| A.MIG-0097 Crystal Orange | A.MIG-0195 Silver | | |



IDF M109 DOHER/ ROCHEV



IDF M109 Doher/Rochev Self Propelled Howitzer

The M109 is an American 155 mm turreted self-propelled howitzer, first introduced in the early 1960s to replace the M44. It has been upgraded a number of times, most recently to the M109A7. The M109 family is the most common Western indirect-fire support weapon of maneuver brigades of armored and mechanized infantry divisions. The M109 has a crew of four: the section chief/commander, the driver, the gunner, and the ammunition handler/loader. The chief or gunner aims the cannon left or right (deflection) and up and down (quadrant).

The M109 self-propelled Howitzer gun, known by IDF as "Rochev" (Rider), entered the Artillery forces' service before the Yom Kippur War (1973). In that war, only one battalion was equipped with these guns, the "Tiger" battalion. This battalion lost almost its entire B battery during the first days of the war. In the photos taken that time you can see the very first model, M109, with the shorter barrel, without the turret baskets and with a travel lock based in the center cover of the engine.

Doher (galloper) was introduced to artillery forces personnel in 1993, Doher is improved Rochev (M109A1 and M109A2). The IDF maintenance units designed it. This model was the last of a series of designs, the only one of which made it into serial production. From this year, until 1997, all of the active service Rochevs were replaced by the Doher. After the active service units received their share, the IDF began to replace some of the reserve units' vehicles. By 2015 reserve units had both the Doher & Rochev.

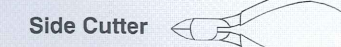
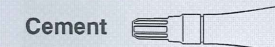
CAUTION ⚠

- *Read carefully and fully understand the instructions before commencing assembly.
- *Keep out of reach of children. Children must not be allowed to put any parts in their mouths, or pull plastic bag over their heads.
- *When using adhesives and paints, please make sure not to use them in closed room or near the fire.
- *When assembling this kit, tools including knives are used. Extra care should be taken to avoid injury.

WARNING: CONTAIN SMALL PARTS NOT FOR CHILDREN UNDER 14 YEARS OF AGE.



TOOLS RECOMMENDED



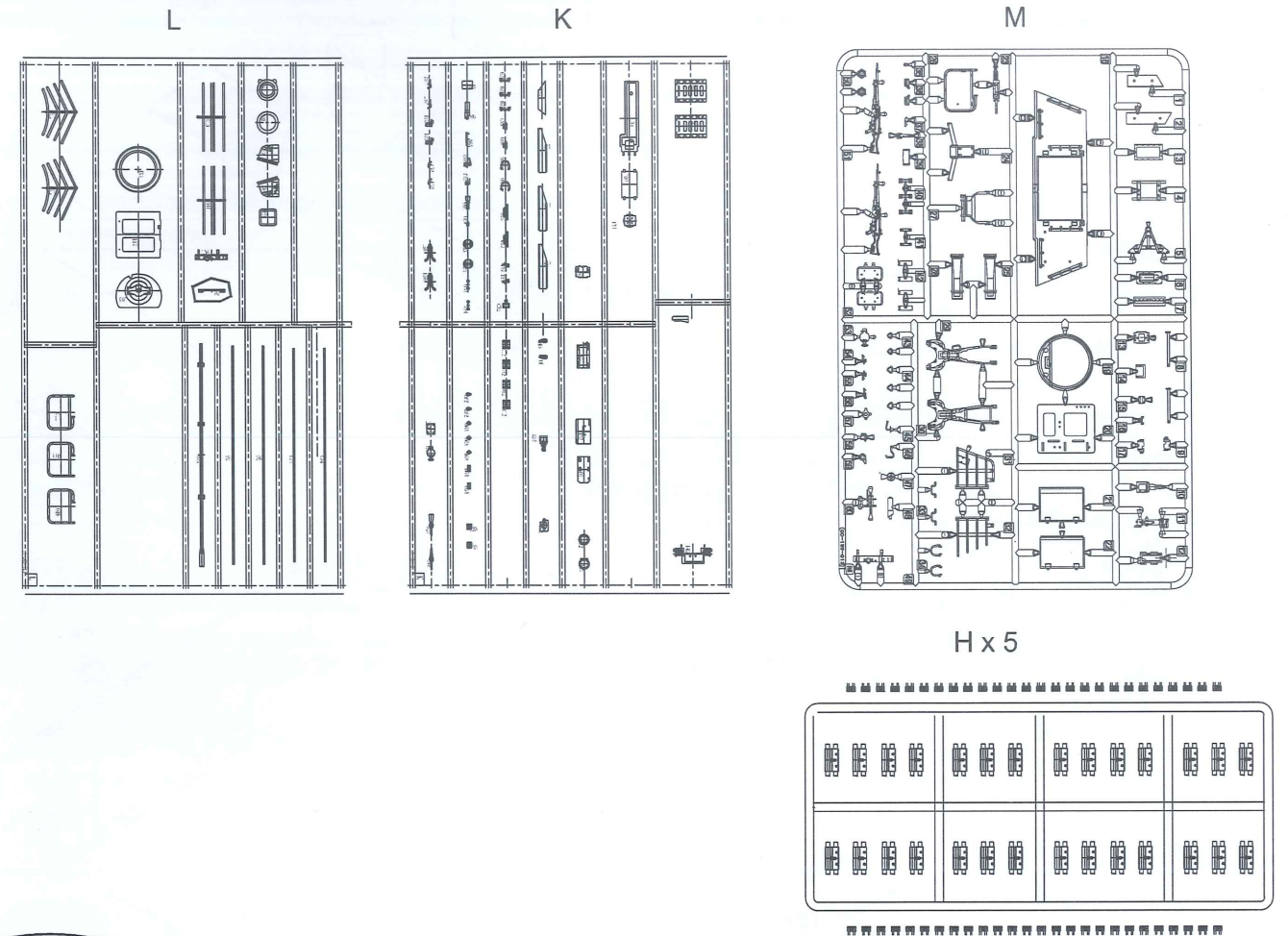
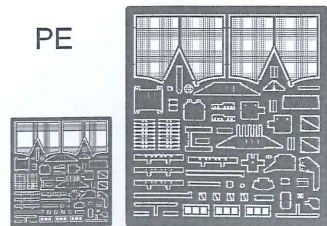
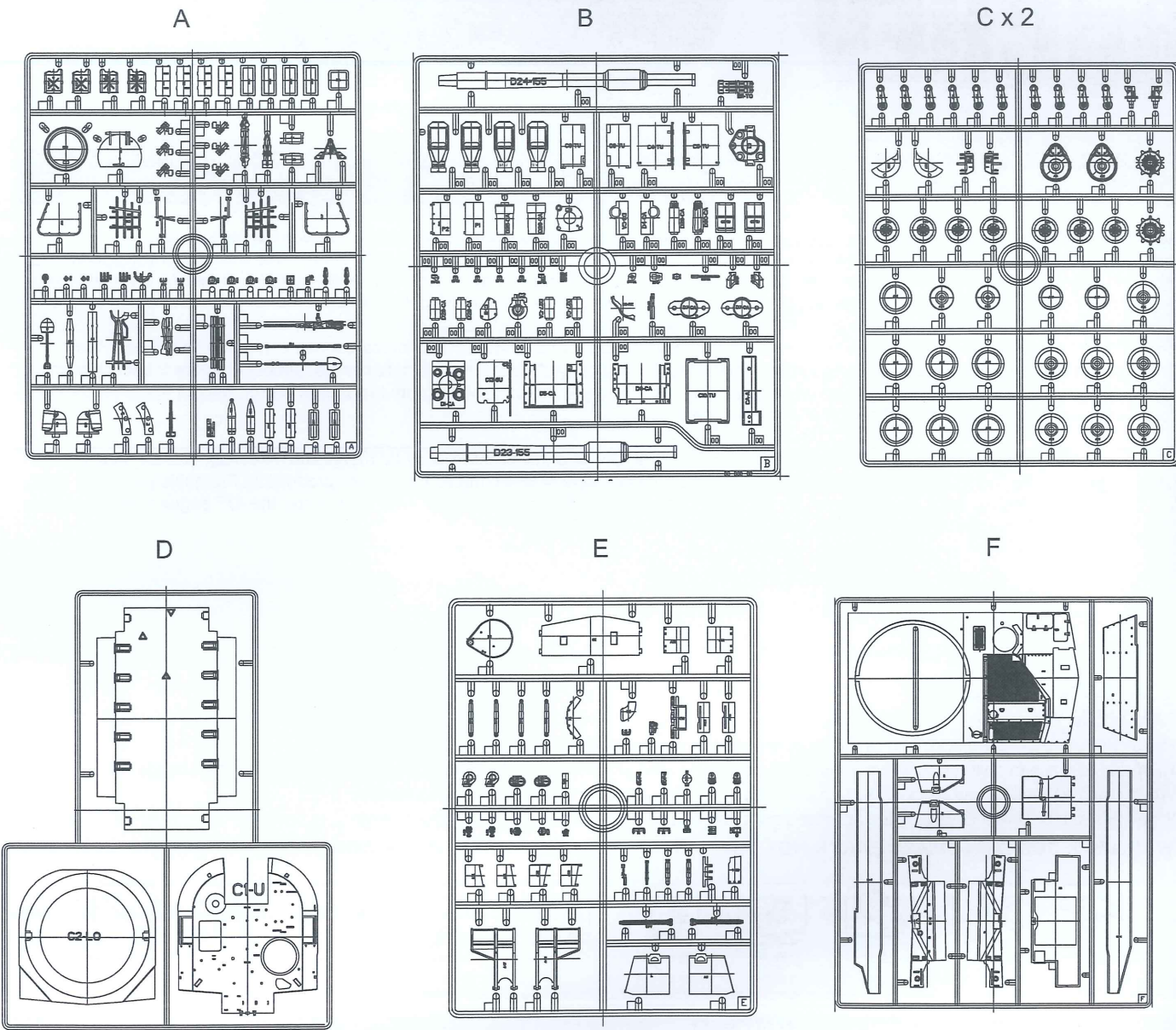
WEATHERING STEPS WITH AMMO PRODUCTS

1 GENERAL WASH A.MIG-1001 Afrika Korps Wash	3 STREAKING A.MIG-1201 Streaking Grime for DAK	5 TRACKS WASH A.MIG-1002 Tracks Wash	7 MUD A.MIG-1702 Turned Earth	9 FUEL A.MIG-1409 Fuel Stains
2 FILTER A.MIG-1505 Gray for Yellow Sand	4 RAINMARKS A.MIG-1258 Streakingbrusher Dust	6 DUST A.MIG-3003 North Africa Dust	8 SPLASHES A.MIG-1751 Dry Steppe	10 OIL A.MIG-1408 Fresh Engine Oil

AFTERMARKET SERVICES CARD

When requesting replacement parts, please take or send this form to your local dealer so that the parts required can be correctly identified. Please note that specifications and availability are subject to change without notice. Or visit <http://www.kineticmodel.com> for latest information. For more information, please contact services@kineticmodel.com

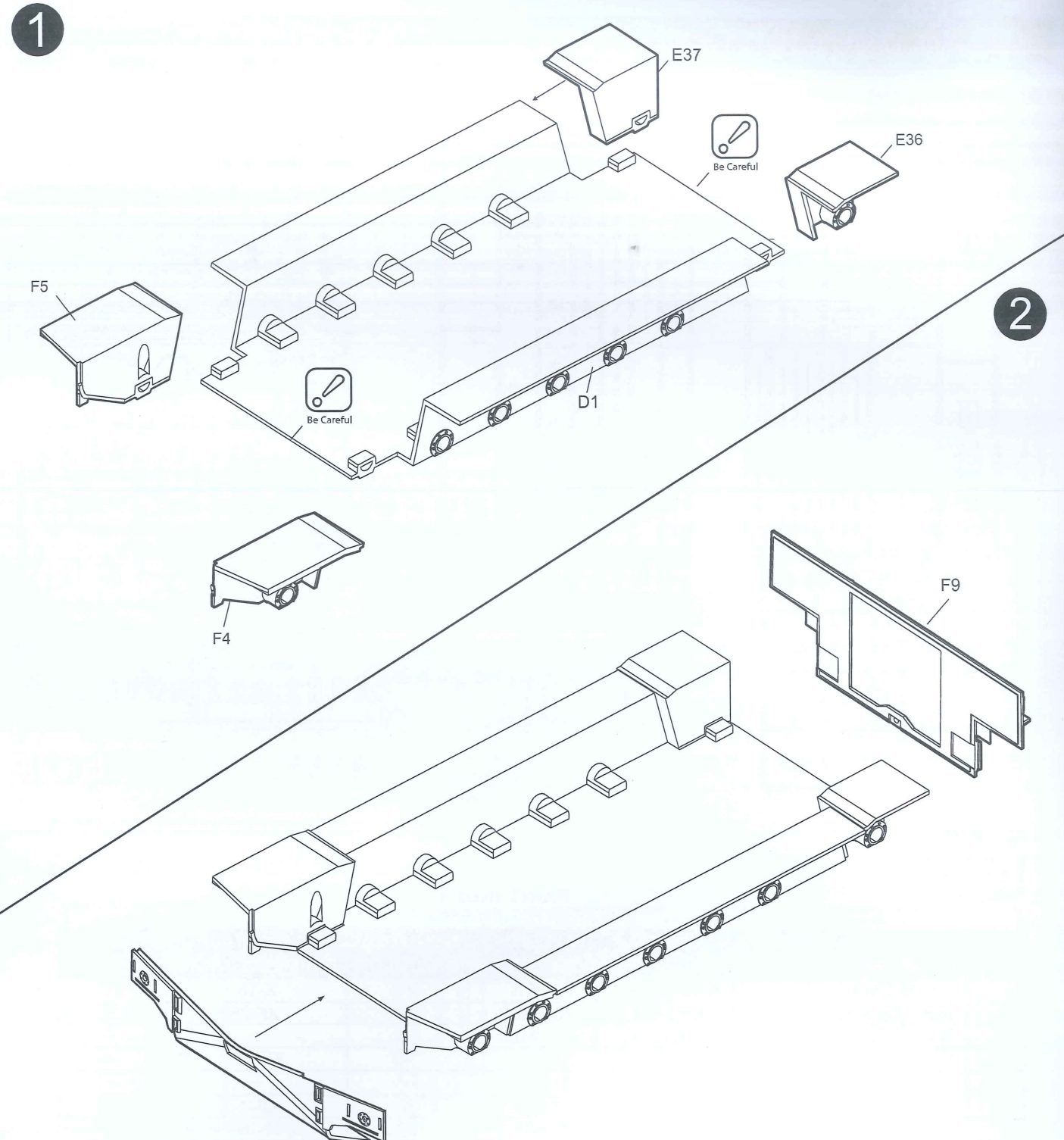
Part Code	K61009	Qty	Item	Qty	Item
00-139-001	Turret Accessories	1	A	00-139-011	Doher/Rochev #1
00-139-002	Turret Accessories	1	B	00-139-012	Doher/Rochev #2
00-139-003	Wheel	2	C	00-139-013	Doher/Rochev #3
00-139-004	Turret and Chassis	1	D	01-139-61009	
00-139-005	Chassis Accessories	1	E	02-139-61009	
00-139-006	Hull and Side Armour	1	F	03-139-61009	
00-139-008	T-136 Tracks	5	H	06-139-61009	
				1	DECAL
				1	BOXTOP
				1	MANUAL
				1	PE



PAINT INDEX

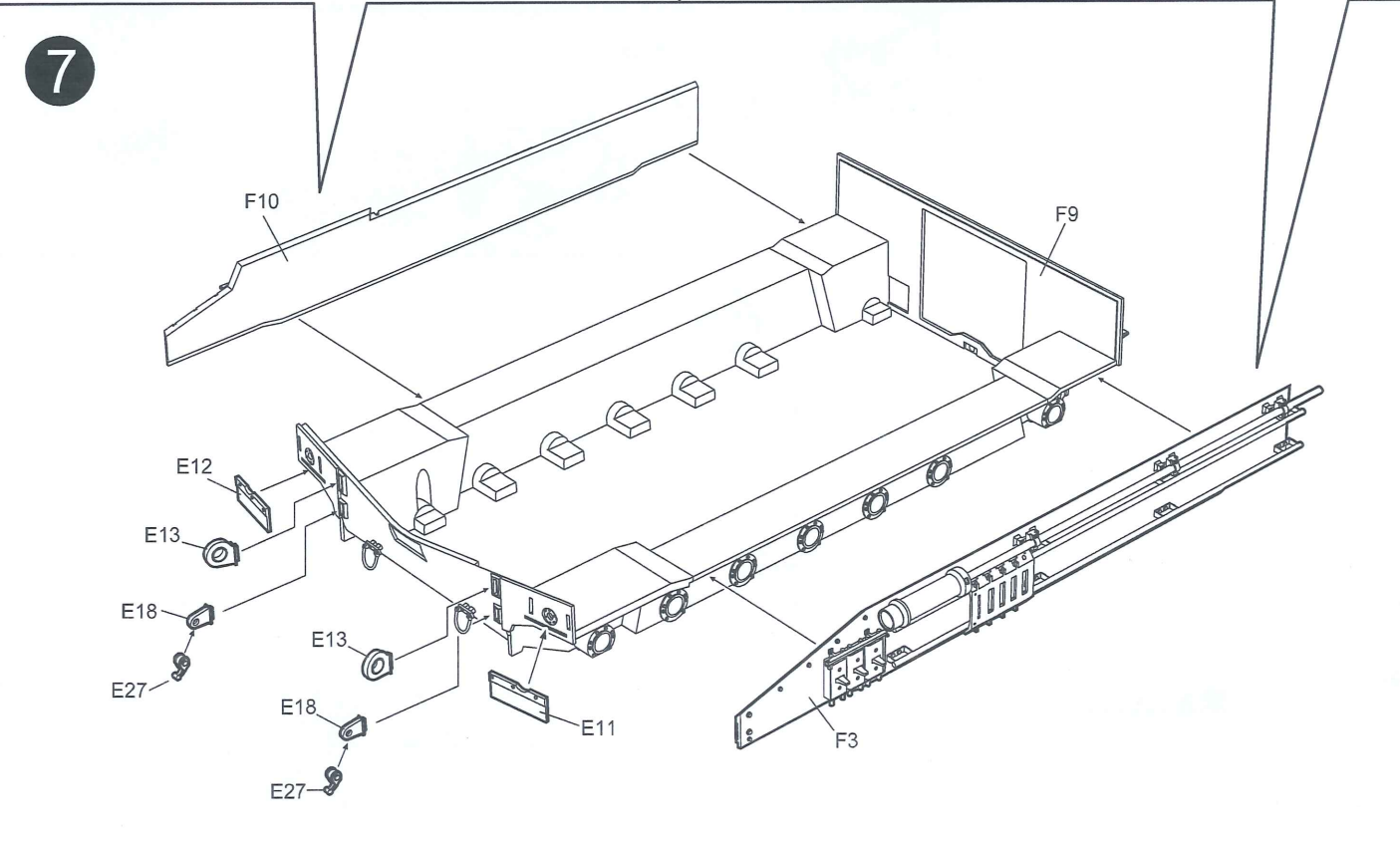
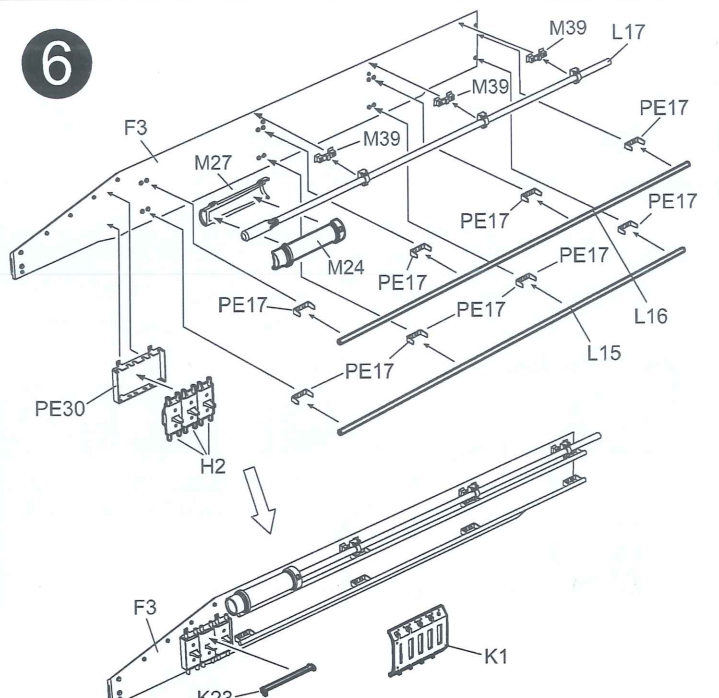
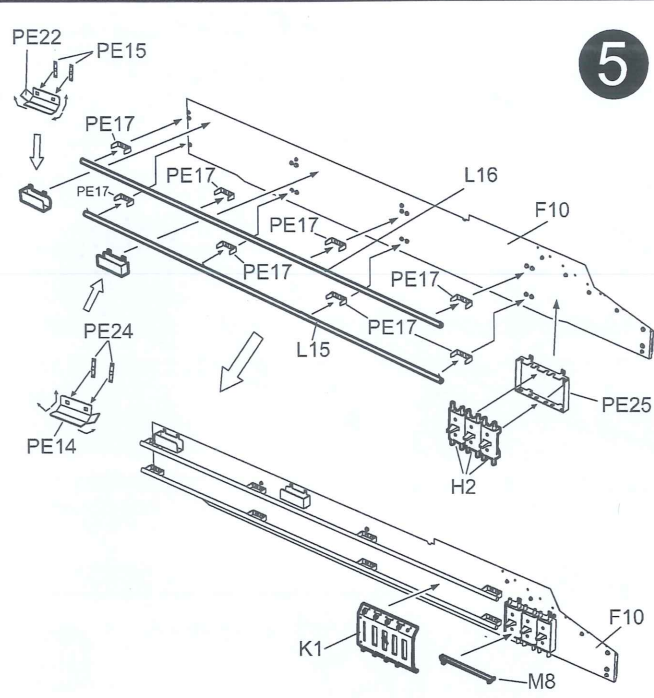
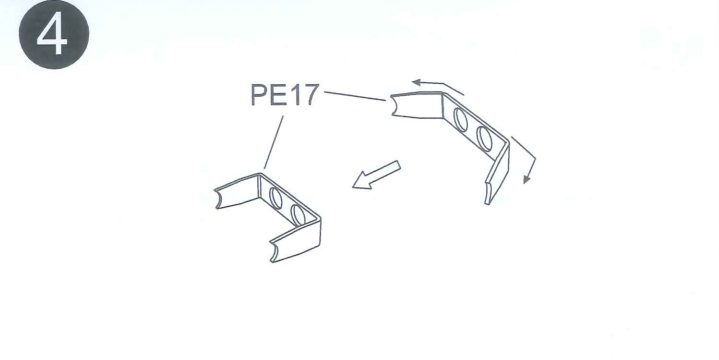
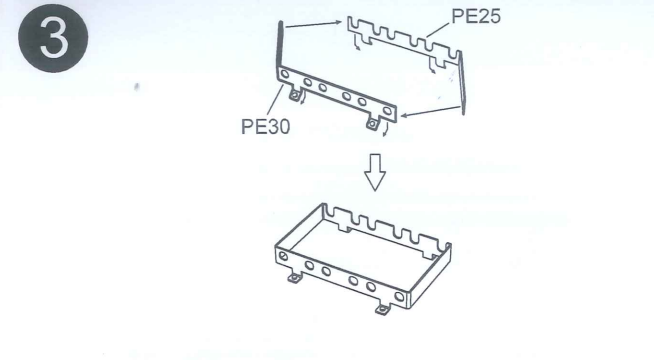
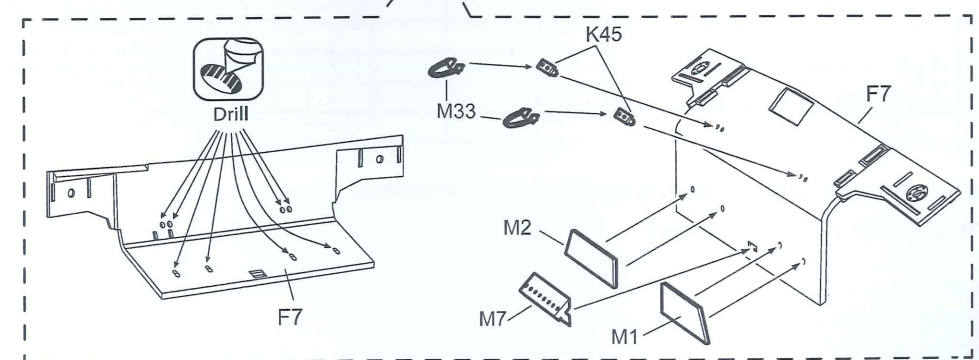
COLOR	AMMO MIG	VALLEJO MODEL COLOR	GSI CREOS MR. COLOR	TAMIYA ENAMEL/ACRYLIC	HUMBROL ENAMEL
SATIN BLACK	A.MIG-032	70.861	2	X-18	21
RUBBER & TIRES	A.MIG-033	70.306	137	XF-85	-
RUST TRACKS	A.MIG-034	71.080	-	-	-
DARK TRACKS	A.MIG-035	70.302	42	XF-84	-
OLD WOOD	A.MIG-036	71.075	-	-	-
RED	A.MIG-049	71.003	3	XF-7	153
GUN METAL	A.MIG-045	70.863	78	X-10	53
LIGHT SAND GREY	A.MIG-067	-	-	-	-
CRYSTAL RED	A.MIG-093	70.934	47	X-27	220
CRYSTAL GLASS	A.MIG-094	-	-	-	-
CRYSTAL SMOKE	A.MIG-095	-	101	-	-
CRYSTAL GREEN PERISCOPE	A.MIG-096	70.936	-	-	-
CRYSTAL ORANGE	A.MIG-097	71.935	49	-	-
SILVER	A.MIG-195	71.063	8	X-11	11

For Color Profile, please go to www.kineticmodel.com for download (type the kit# and go for manual/painting guide)

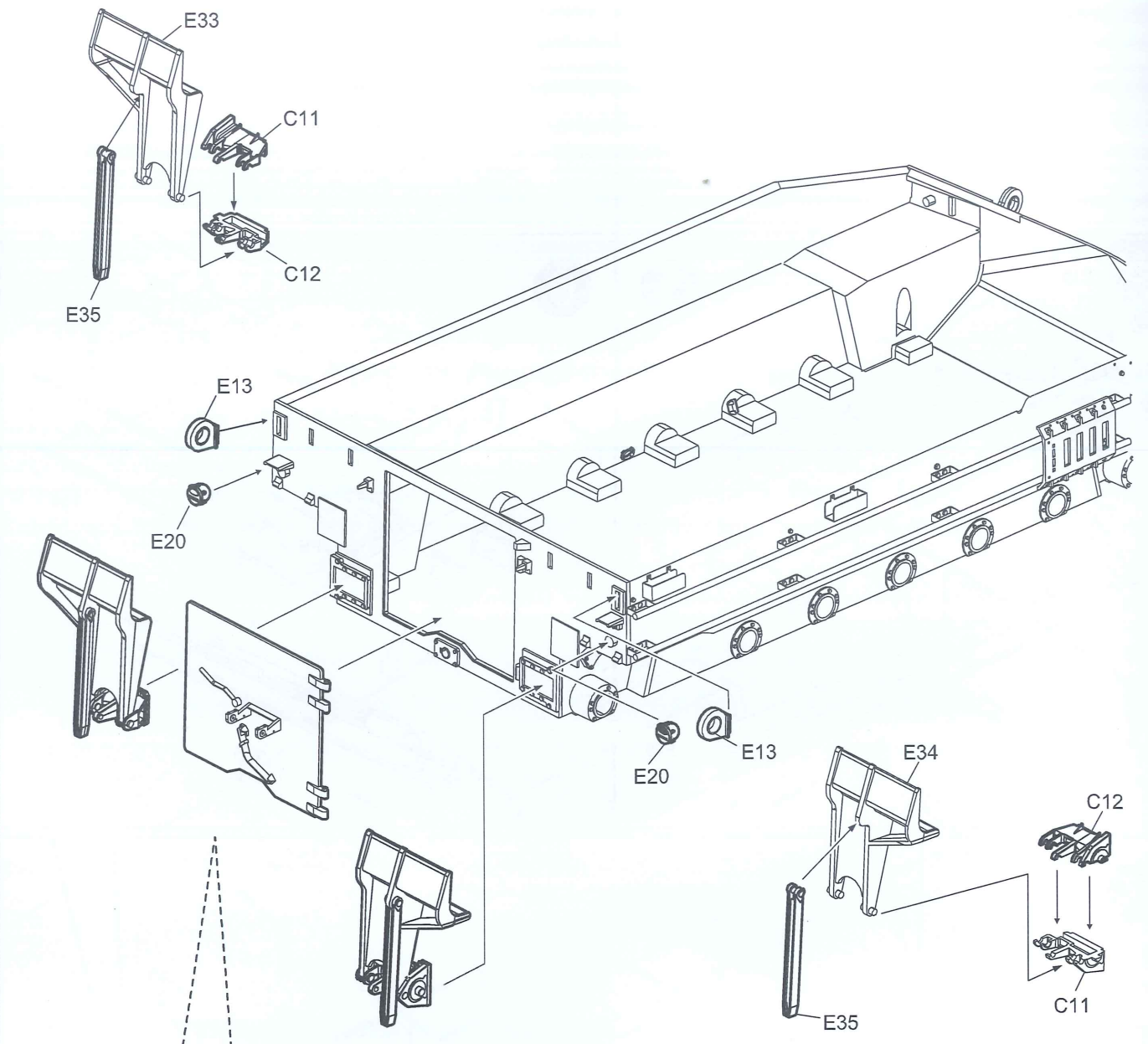


2

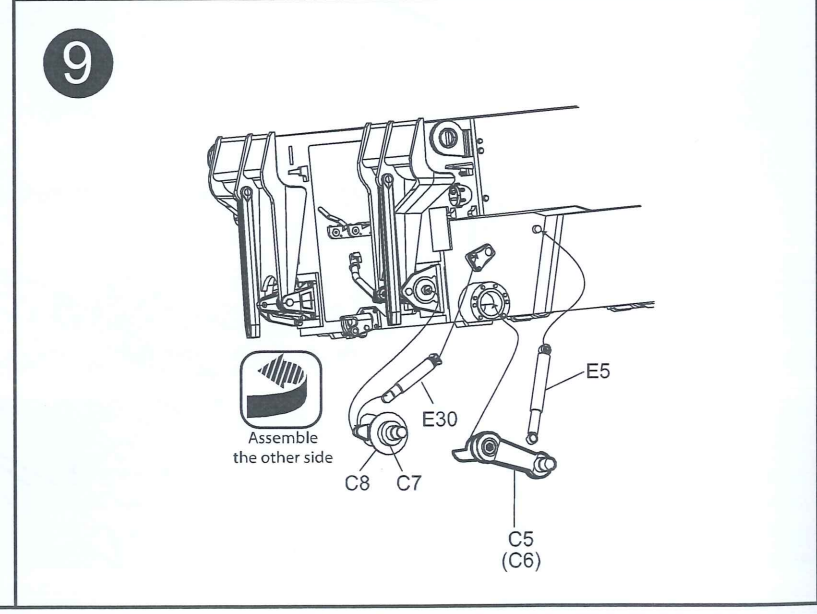
Please use drilling AIDS on separate paper.



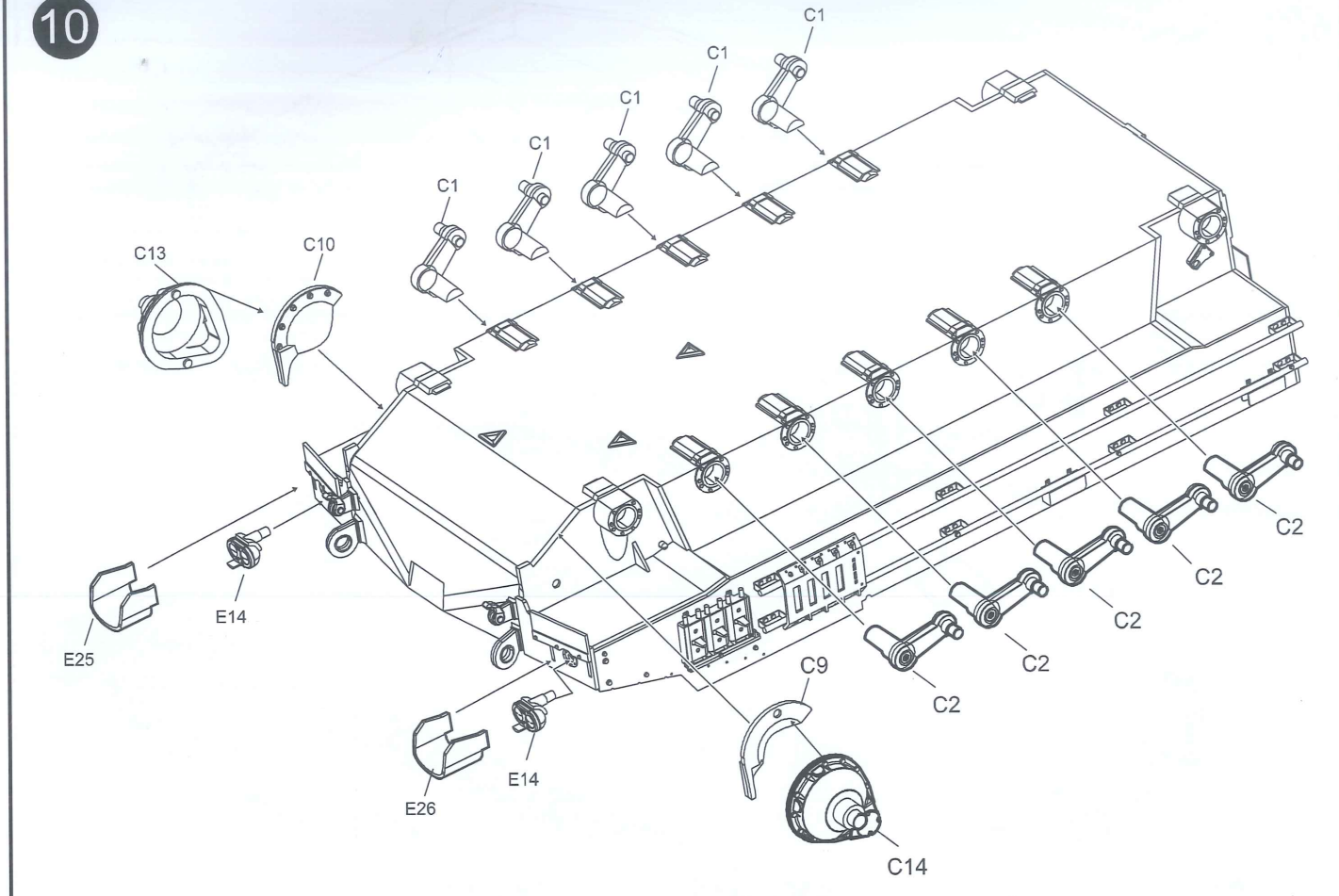
8



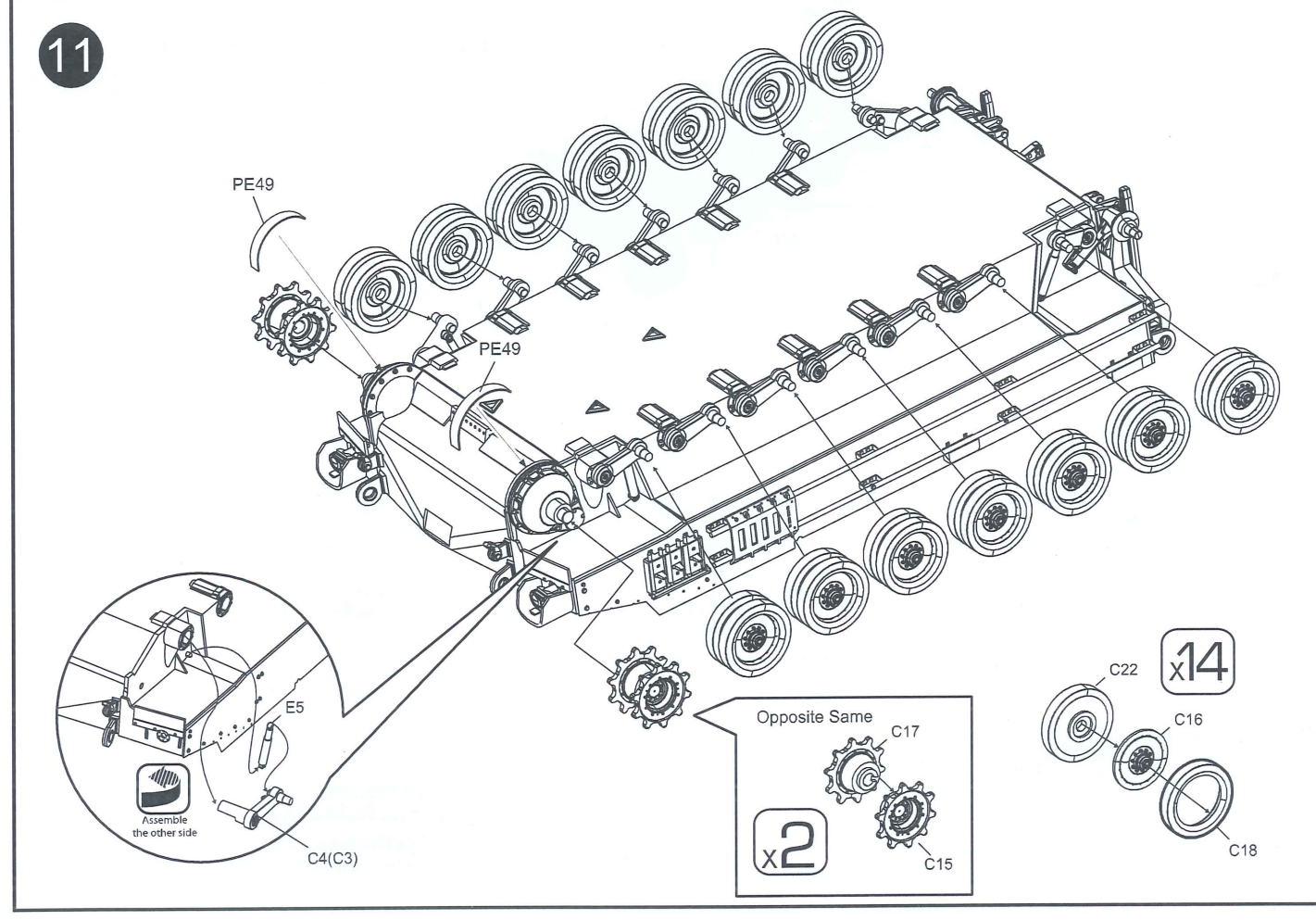
9

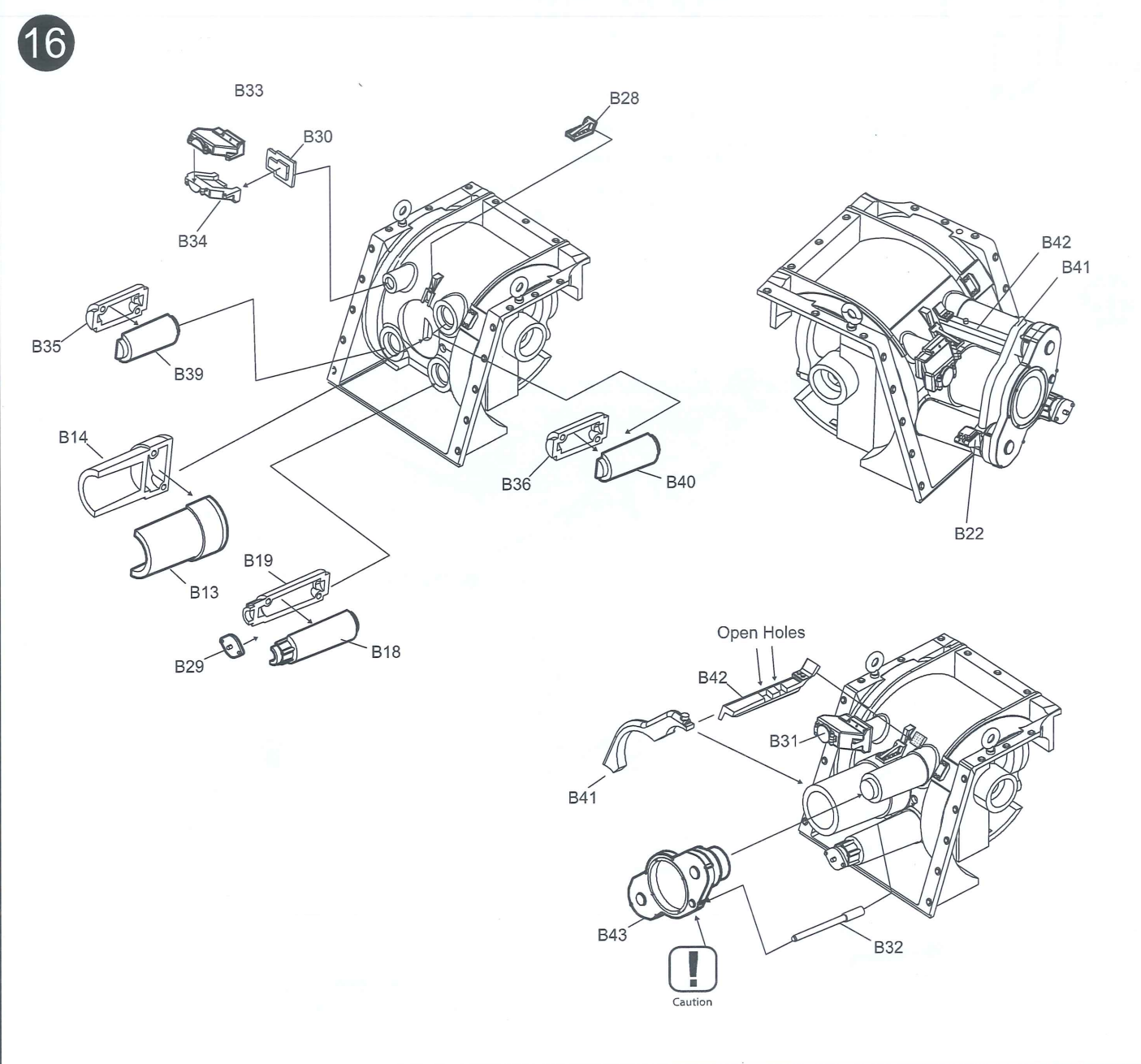
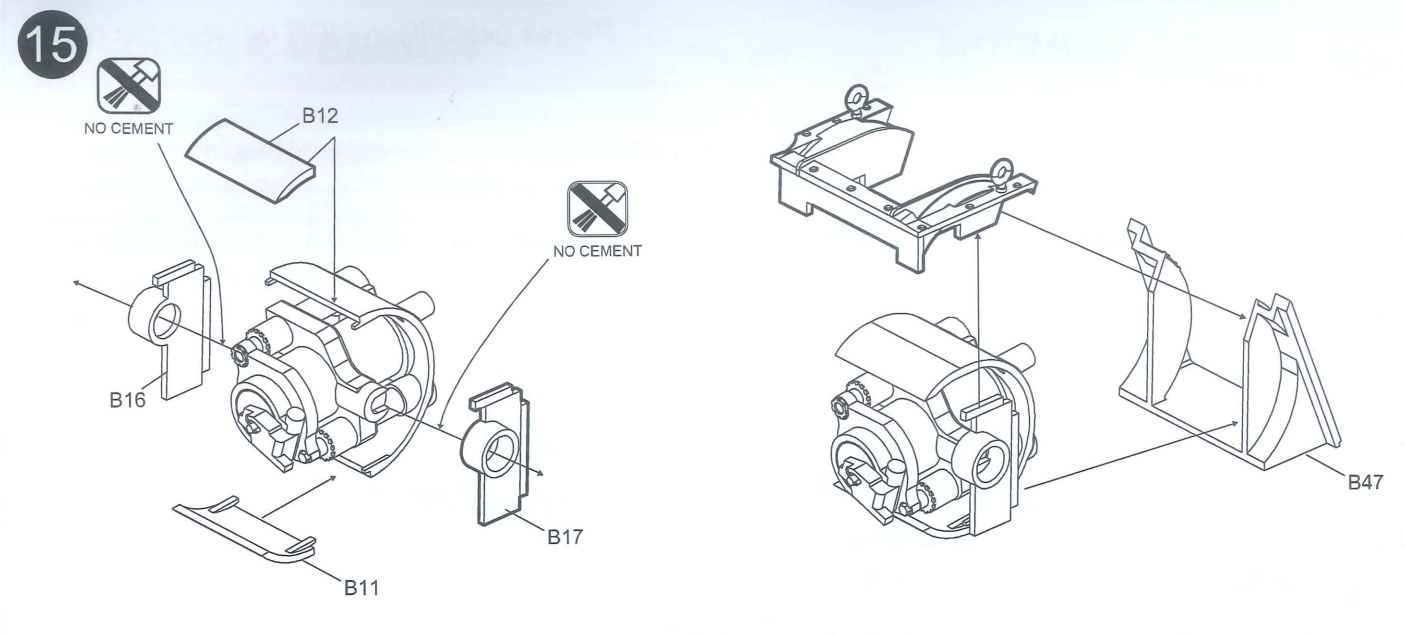
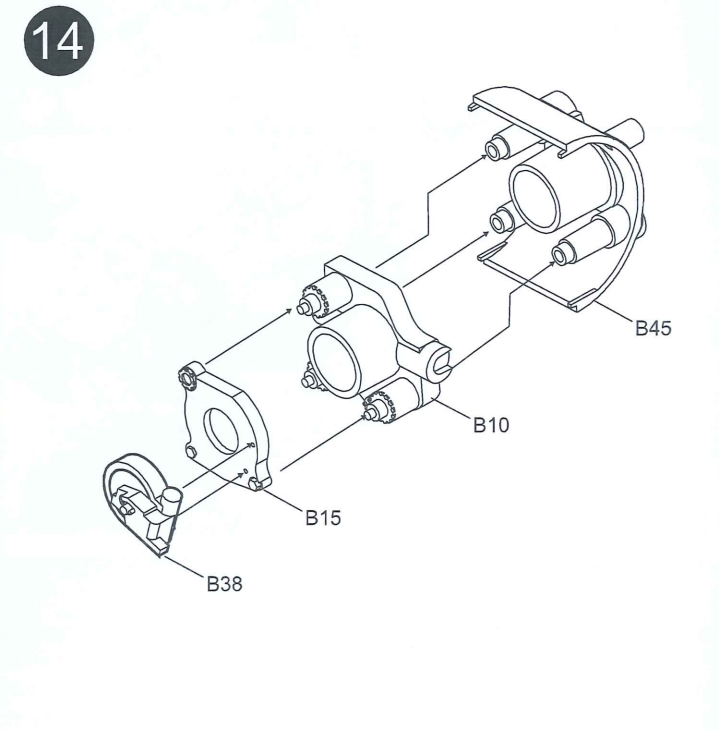
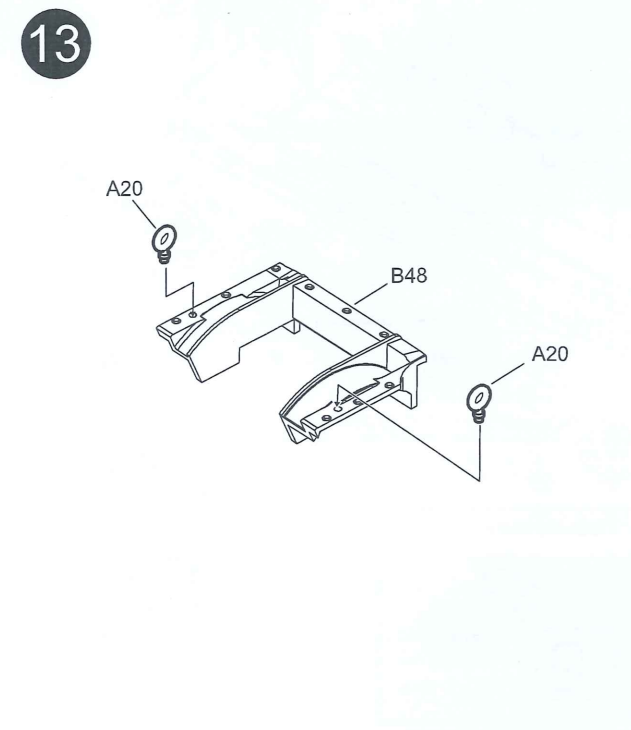
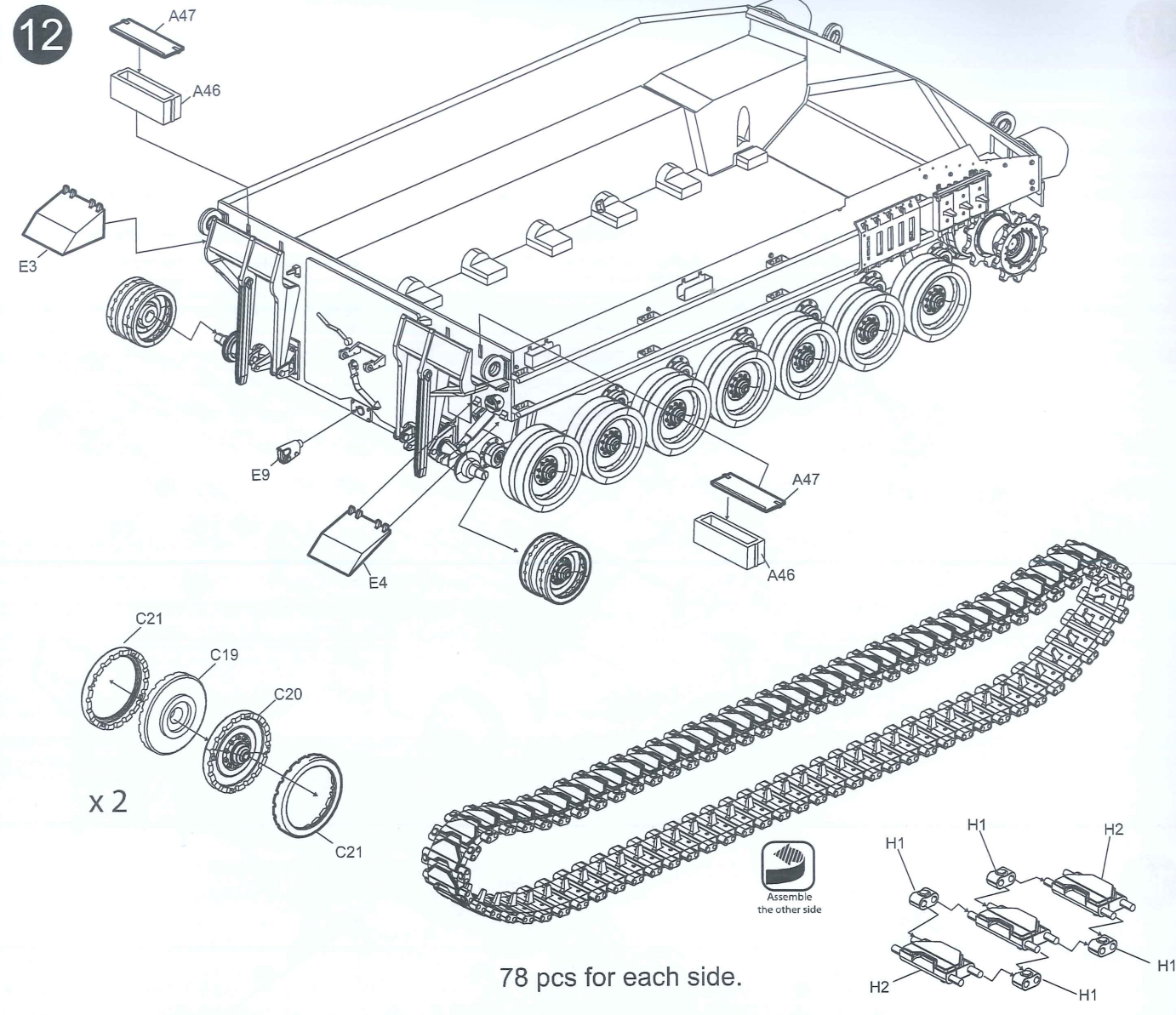


10



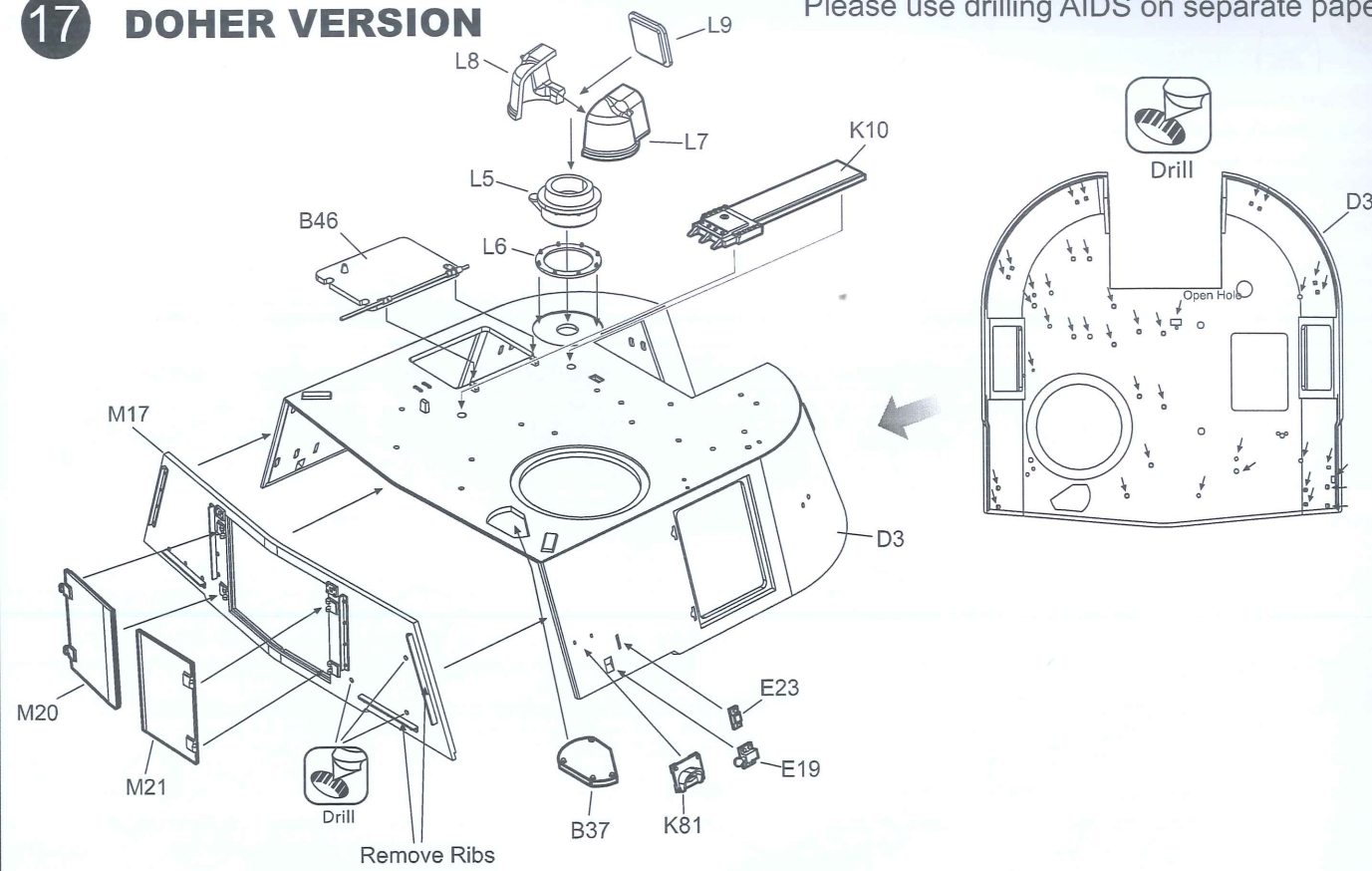
11



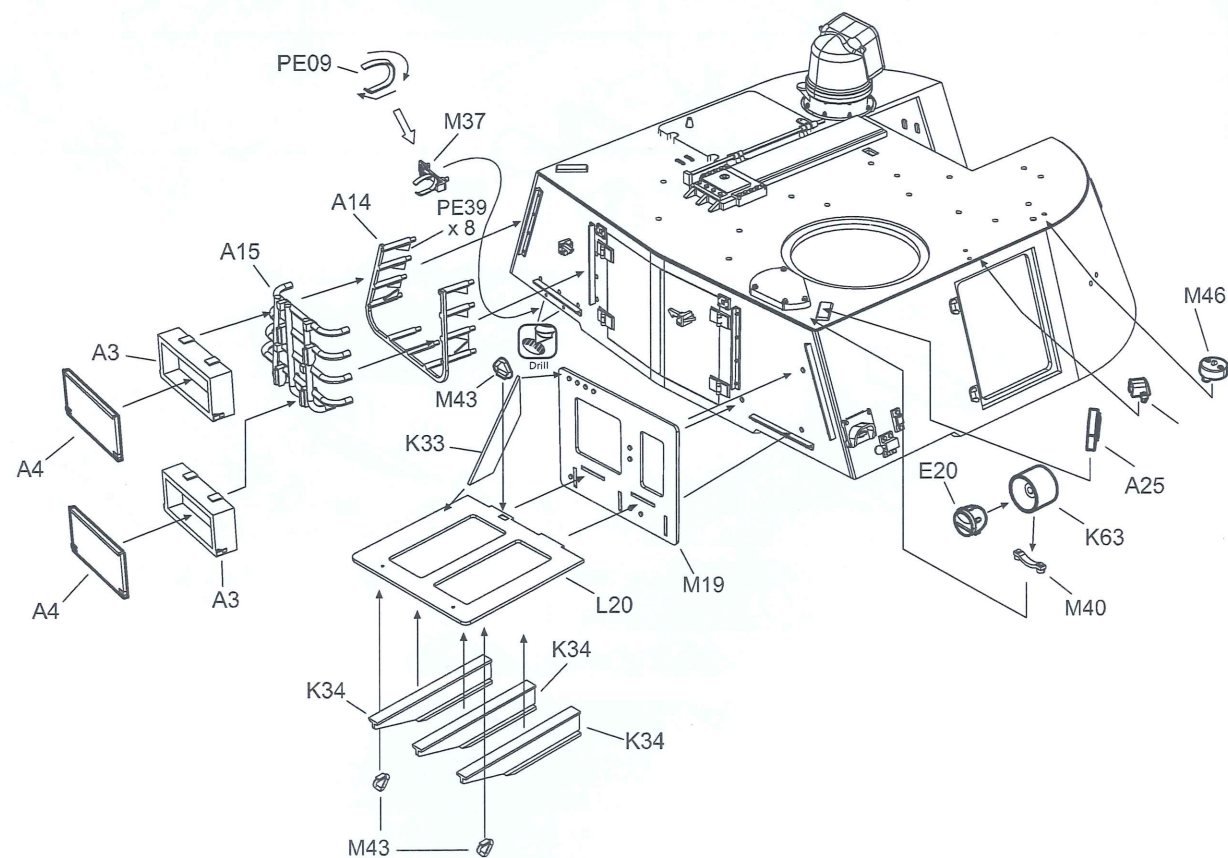


17 DOHER VERSION

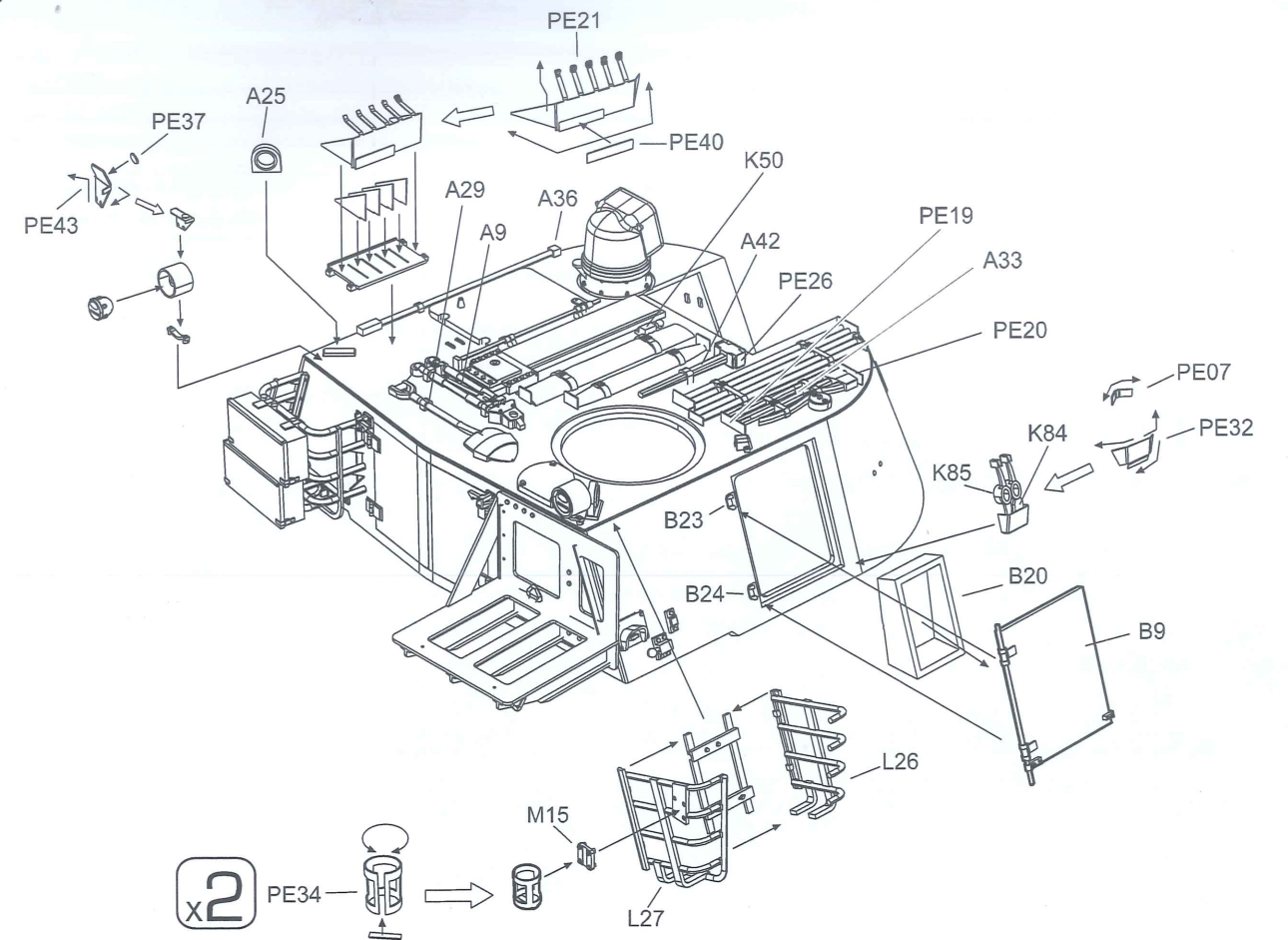
Please use drilling AIDS on separate paper.



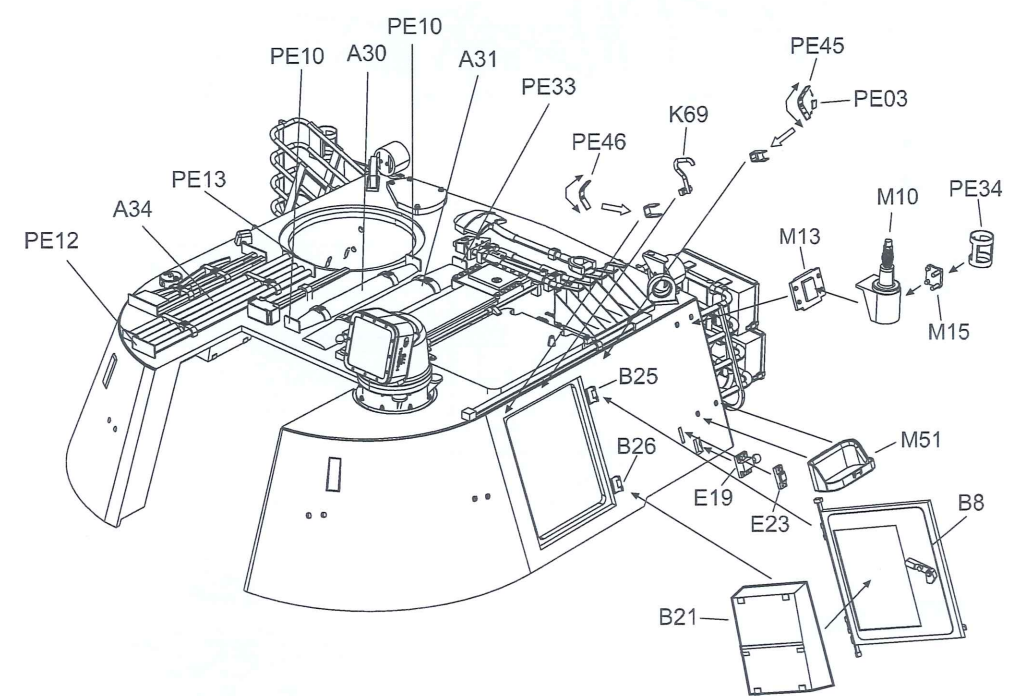
18



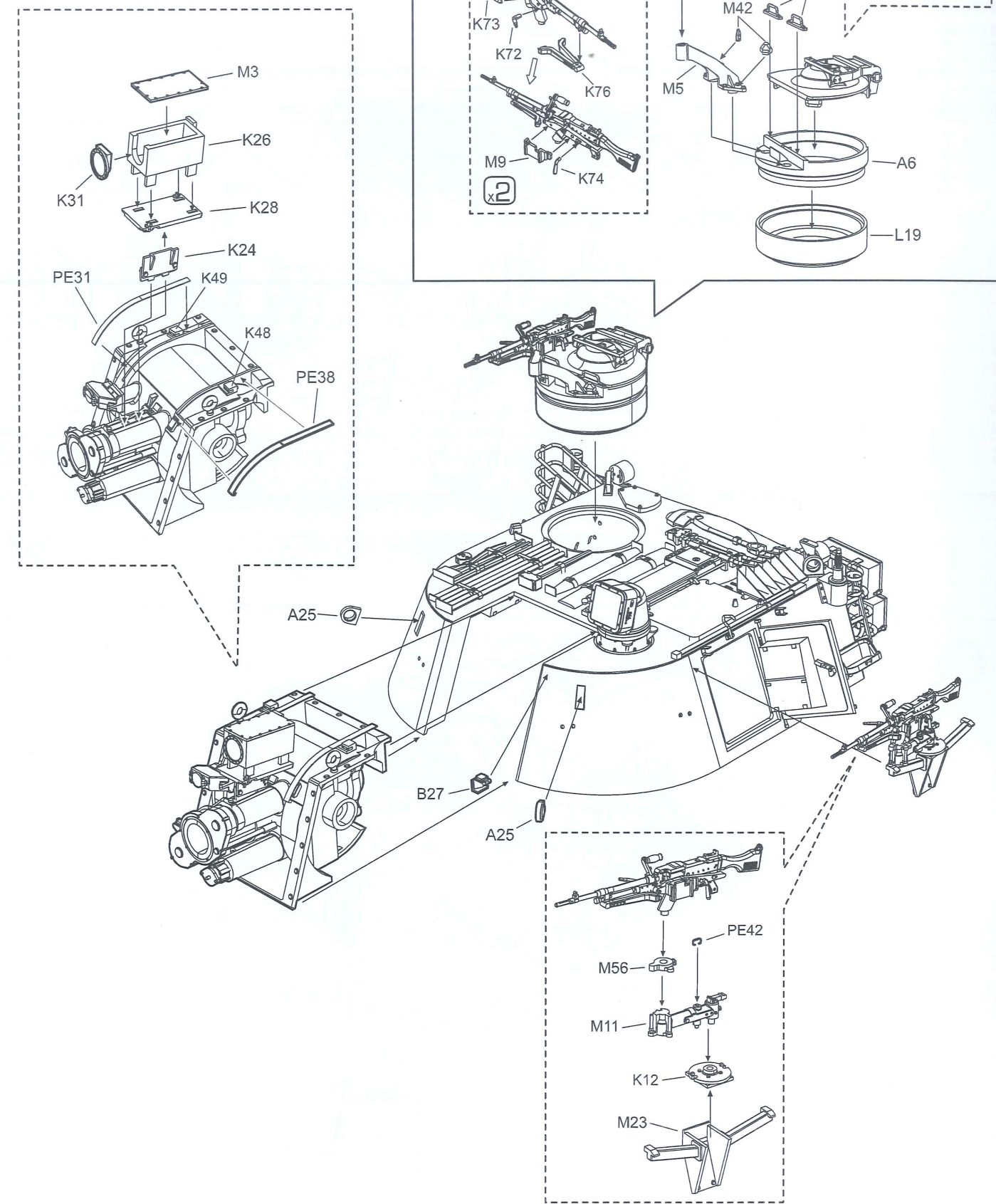
19 DOHER VERSION



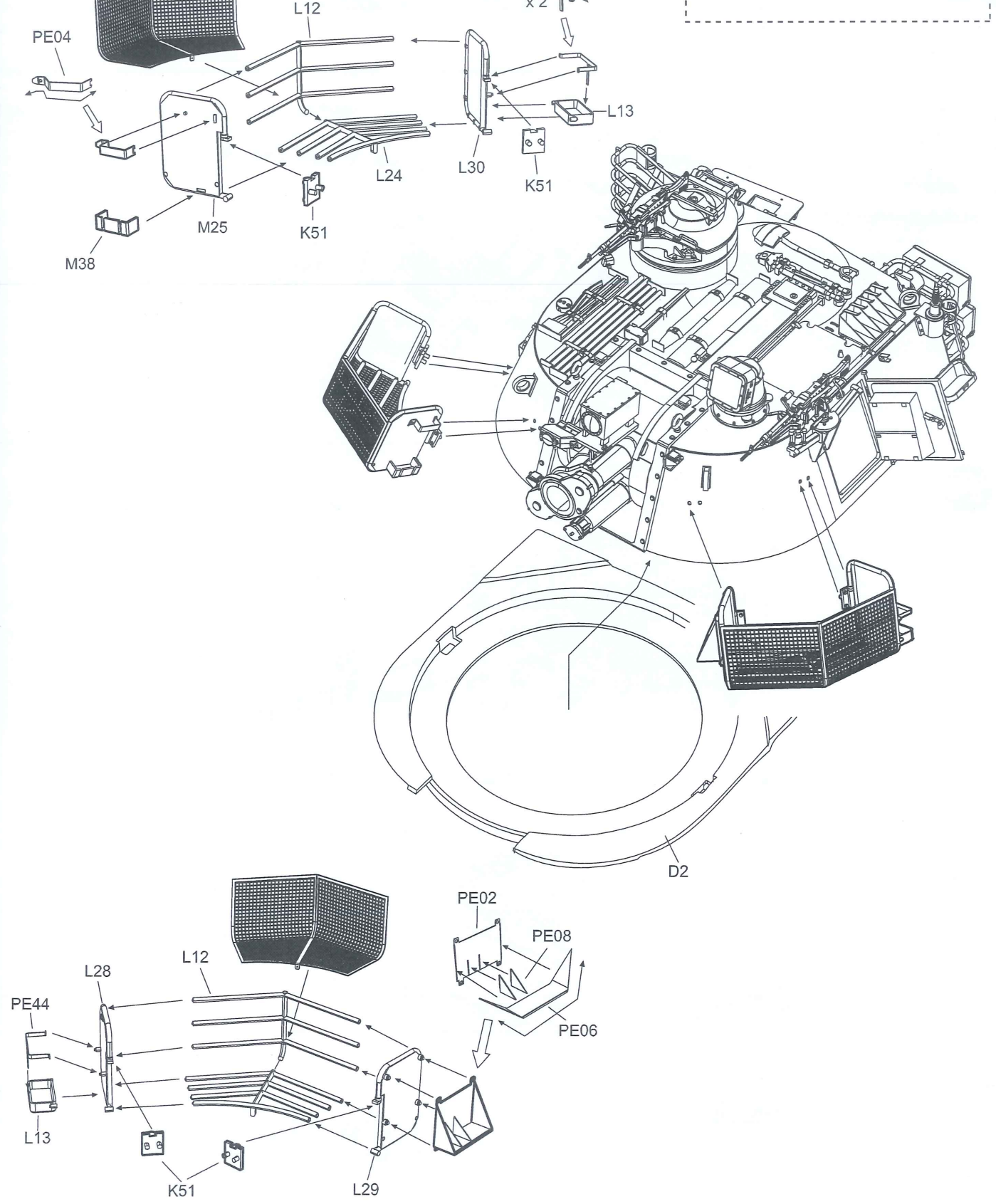
20



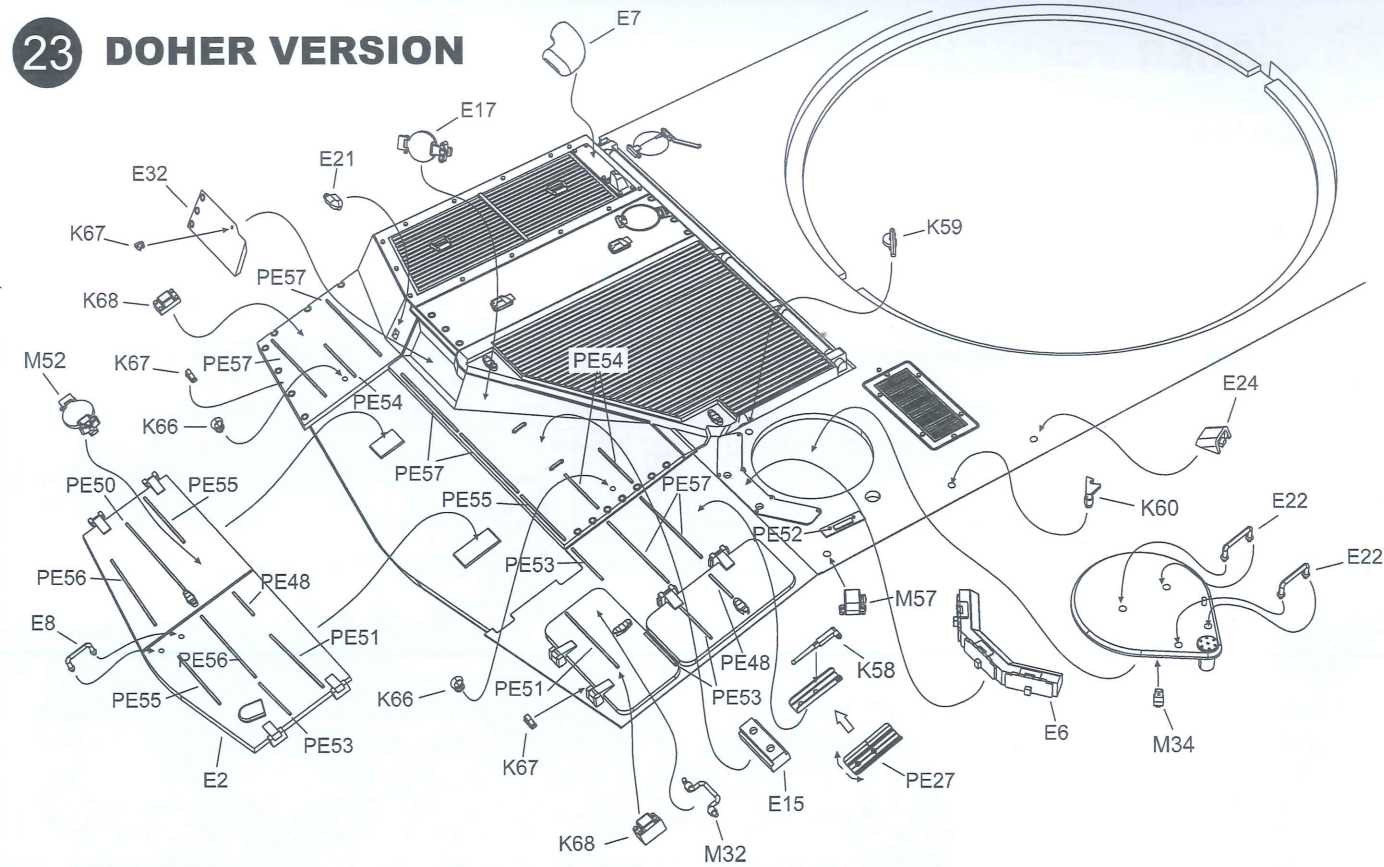
21 DOHER VERSION



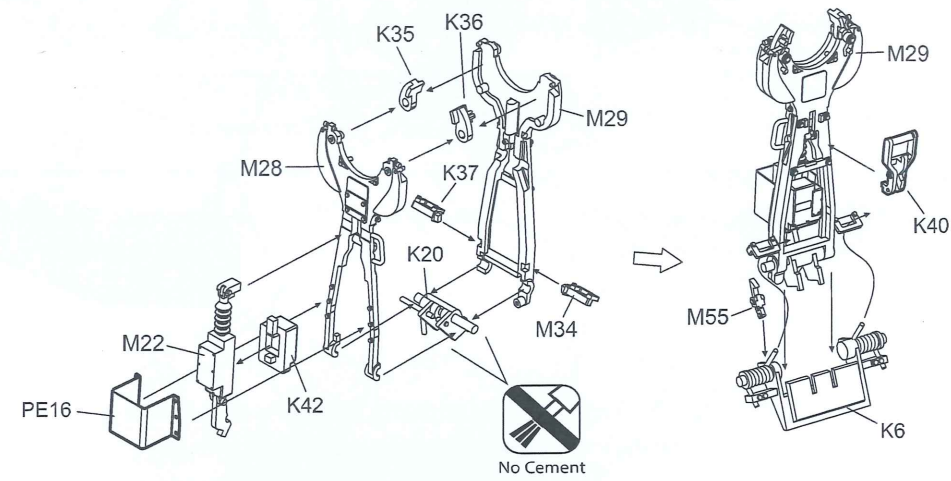
22 DOHER VERSION



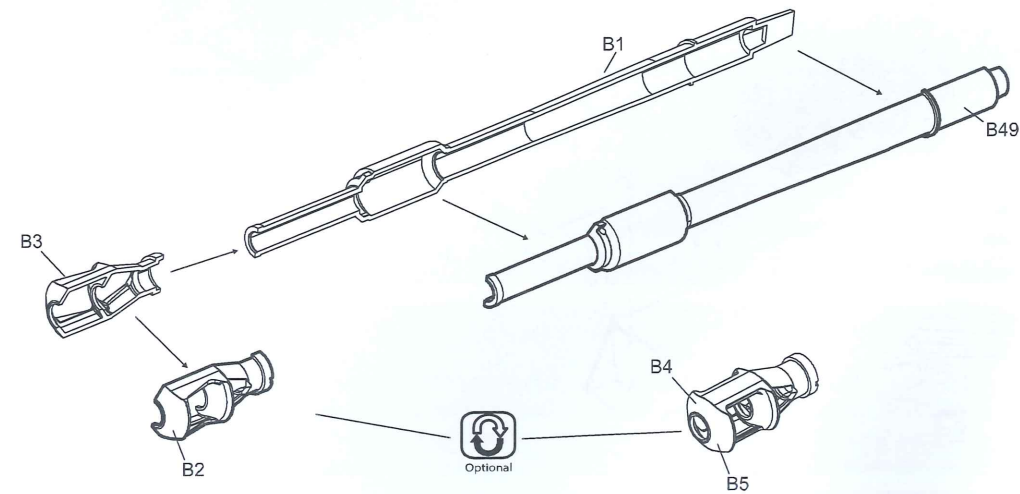
23 DOHER VERSION



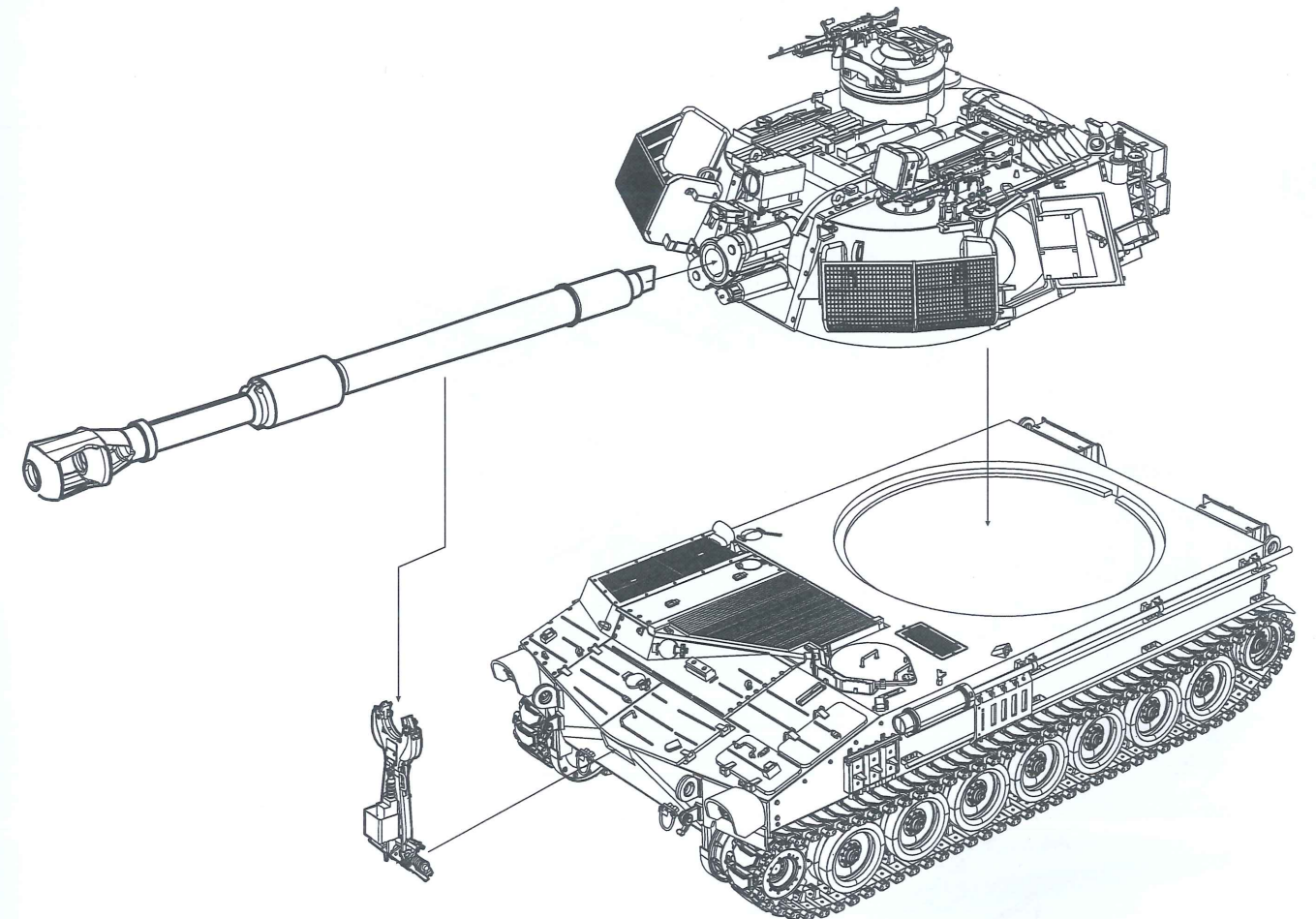
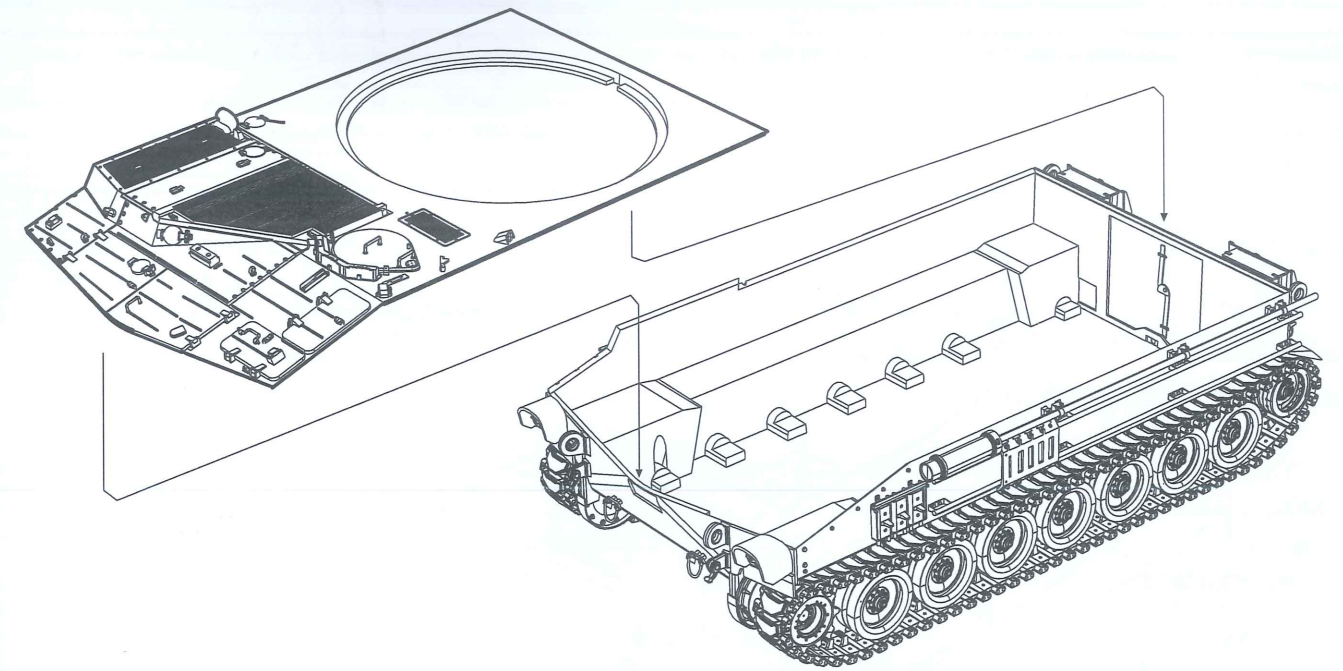
24



25

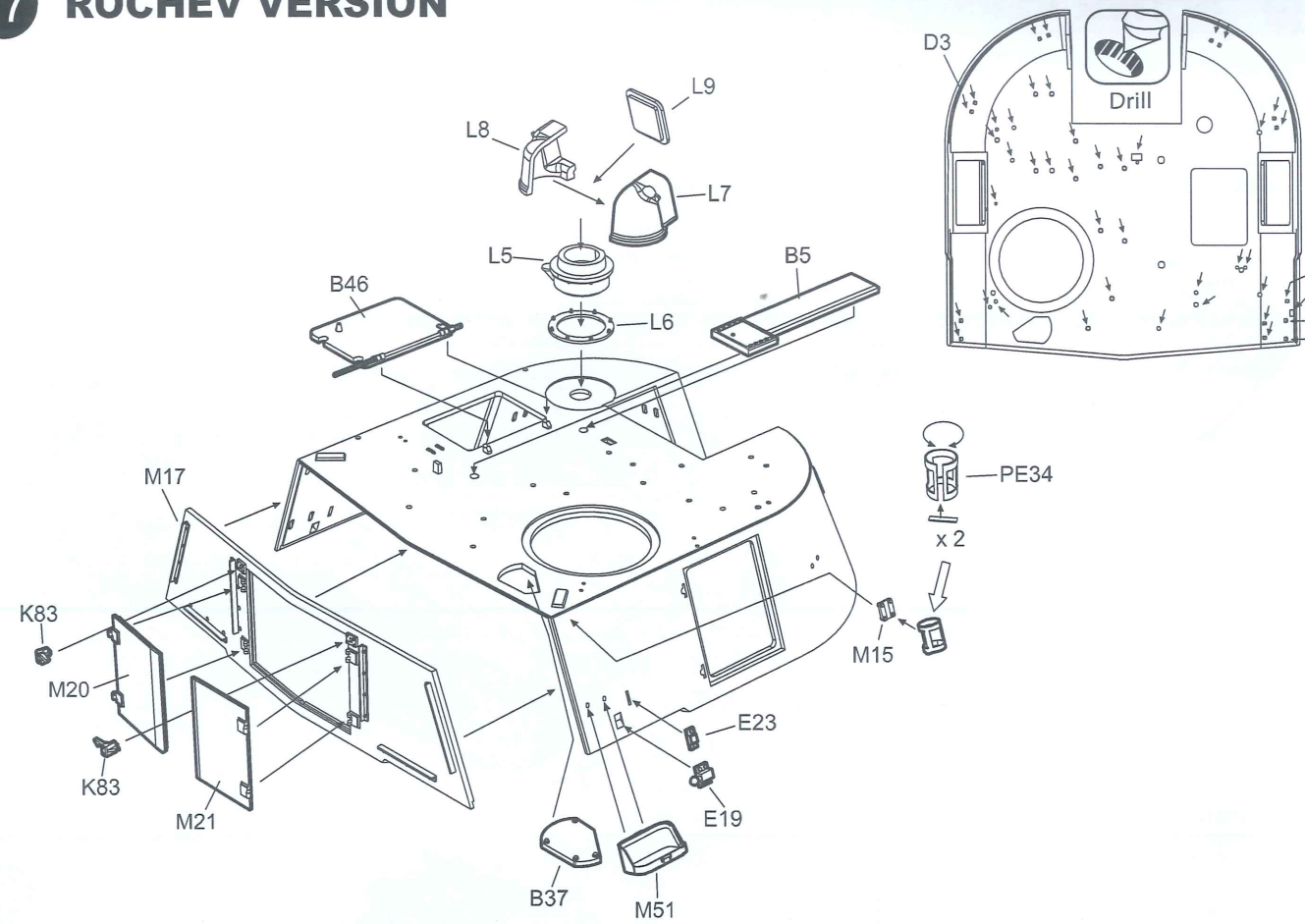


26 DOHER VERSION

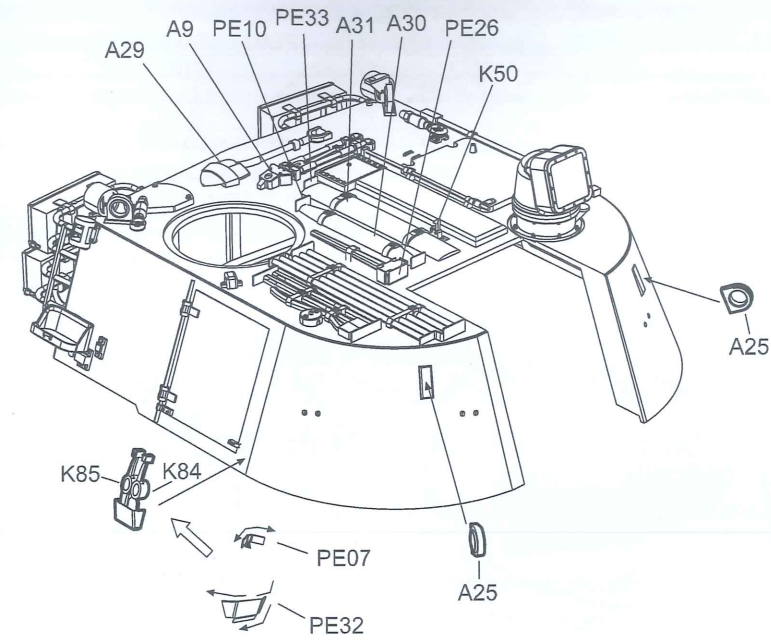


17 ROCHEV VERSION

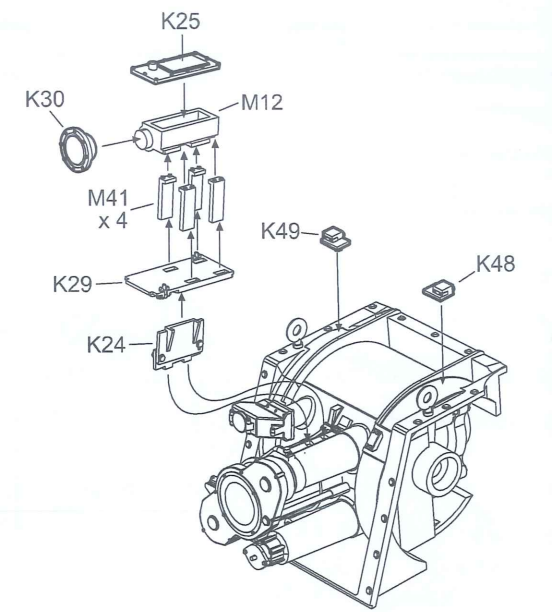
Please use drilling AIDS on separate paper.



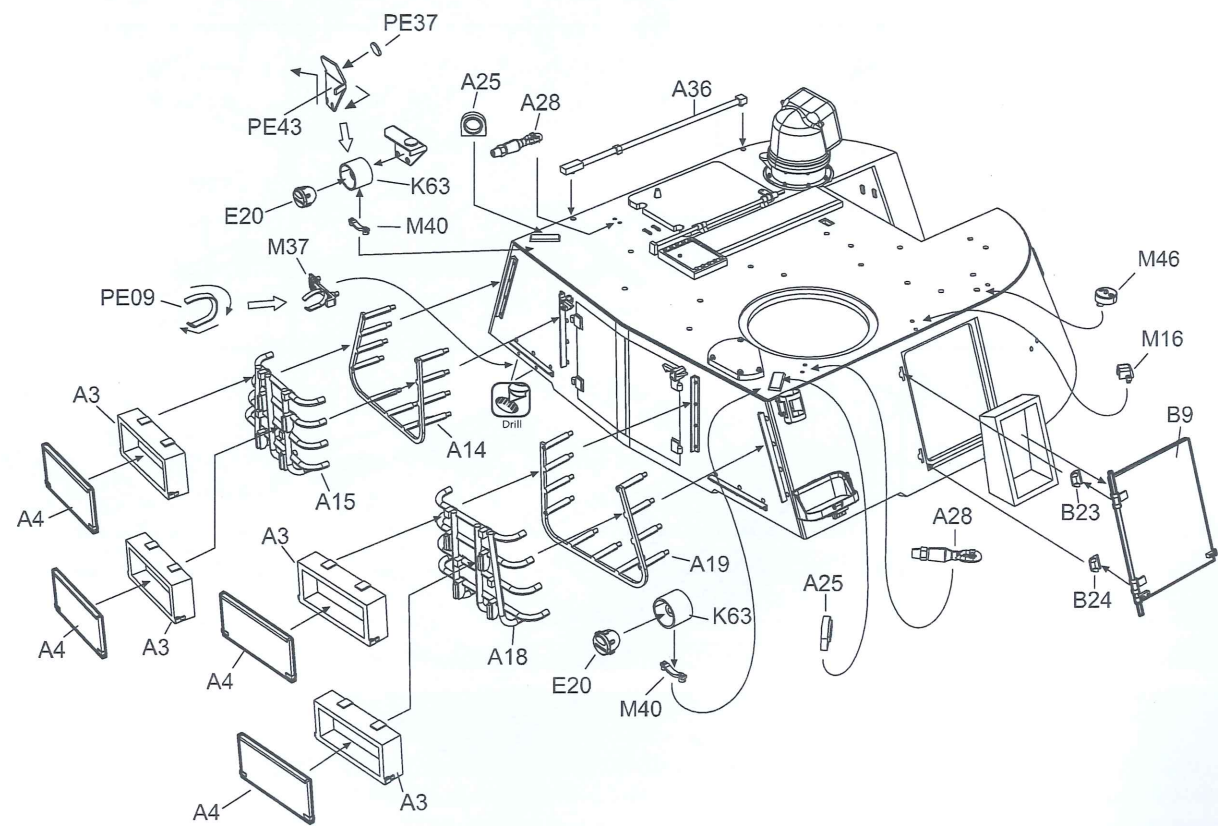
19 ROCHEV VERSION



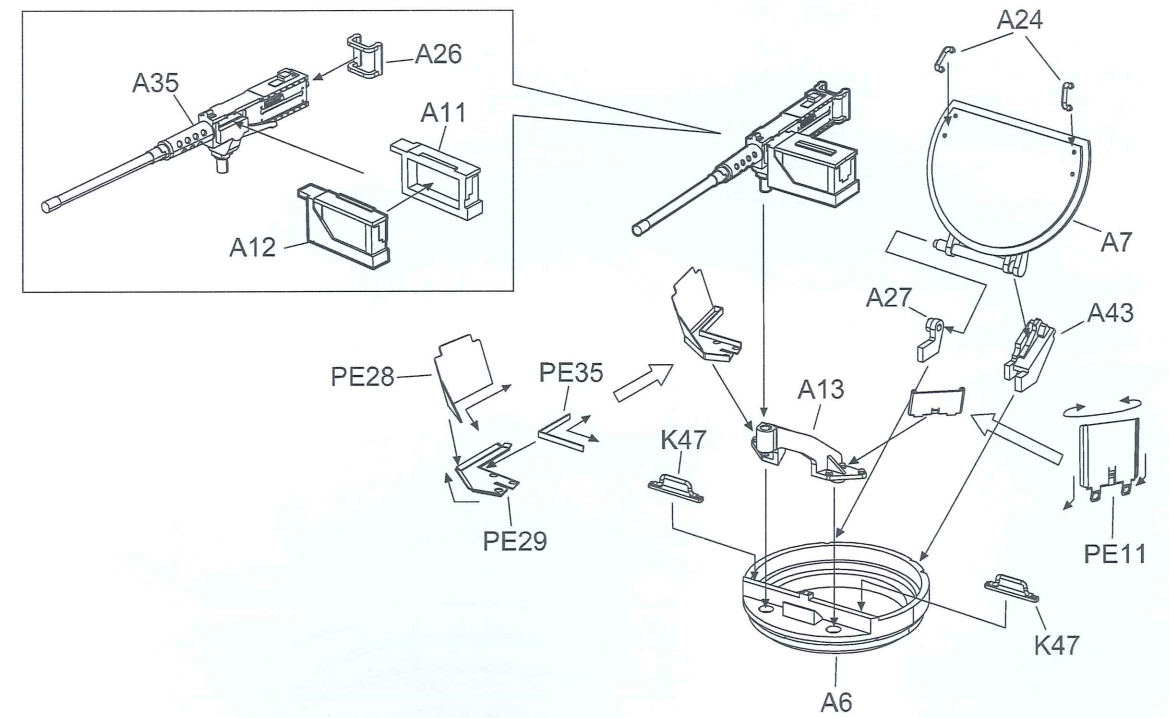
20



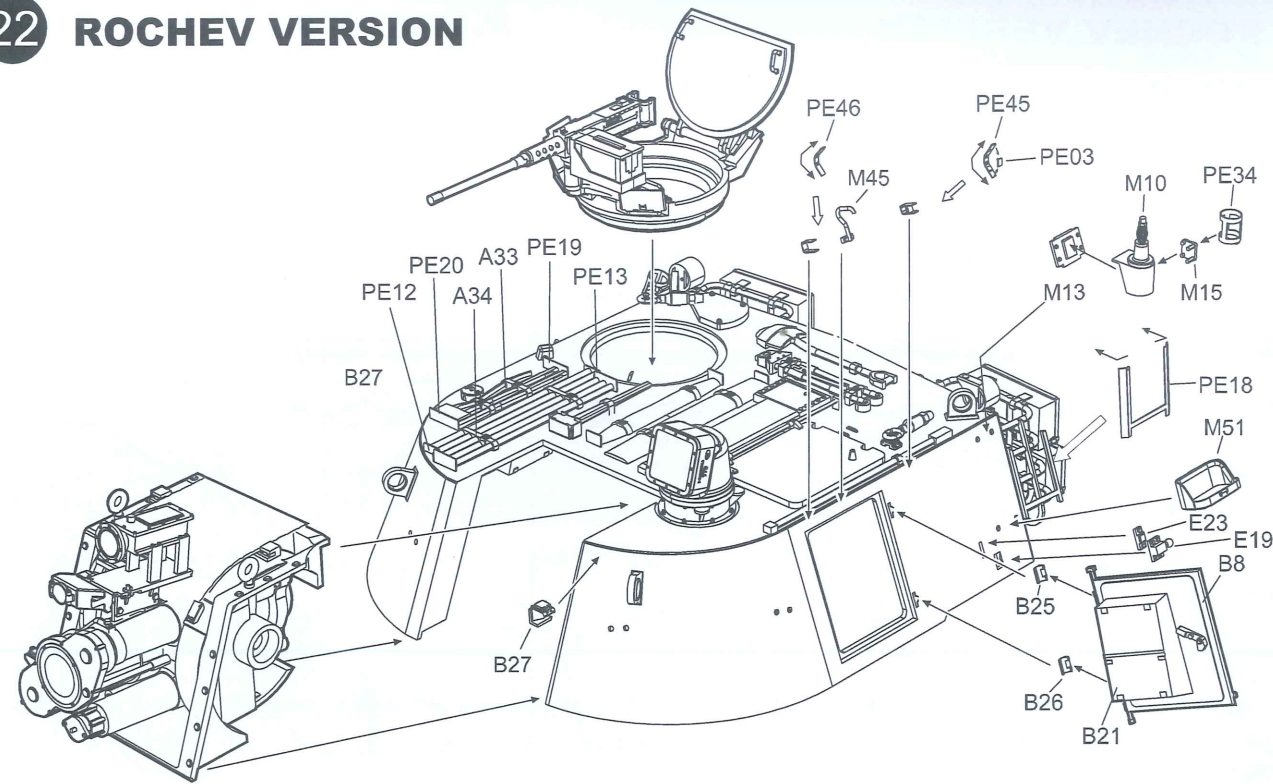
18



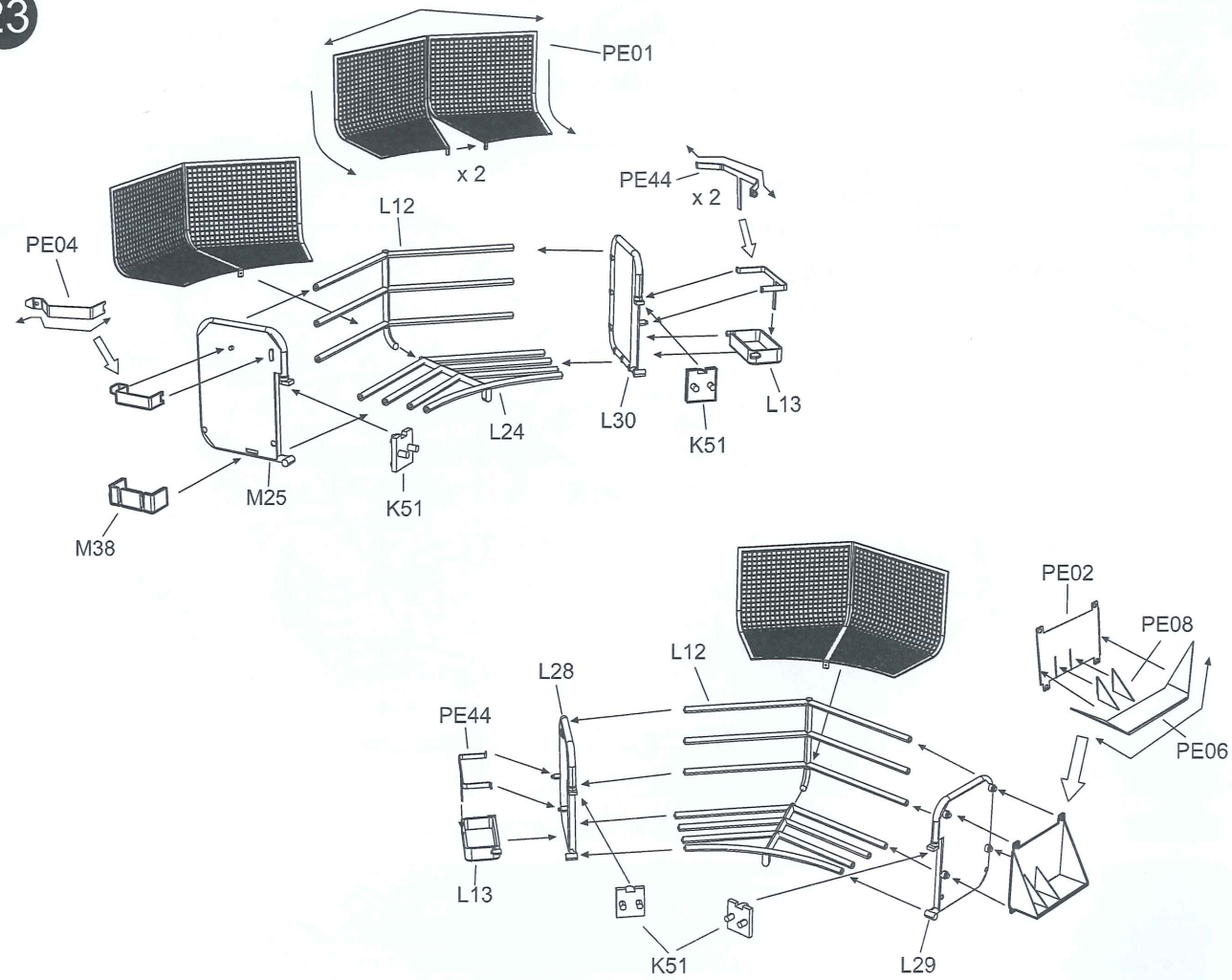
21



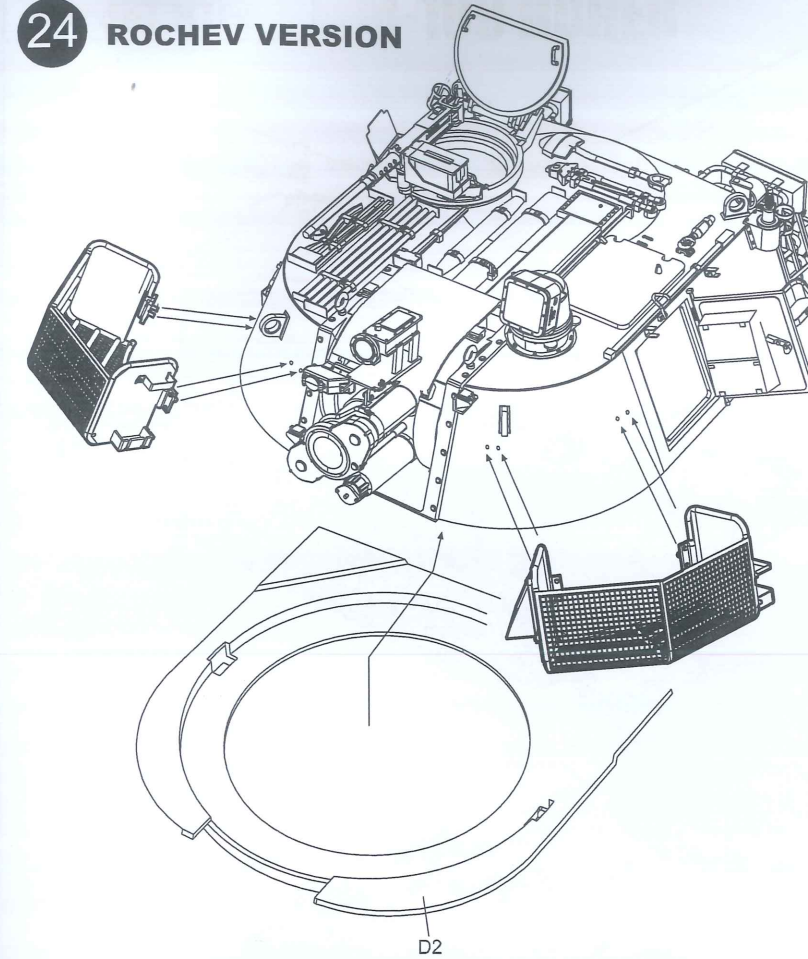
22 ROCHEV VERSION



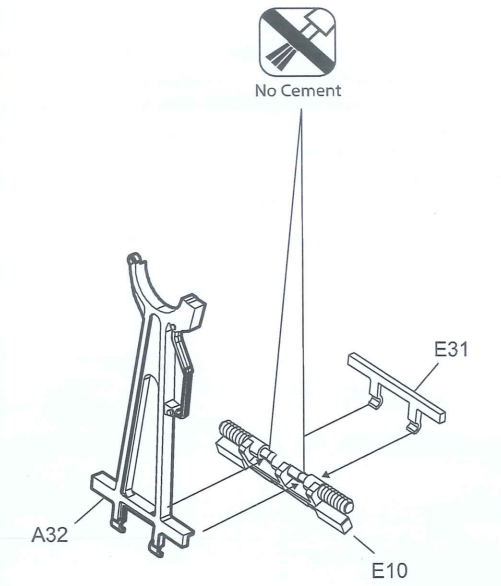
23



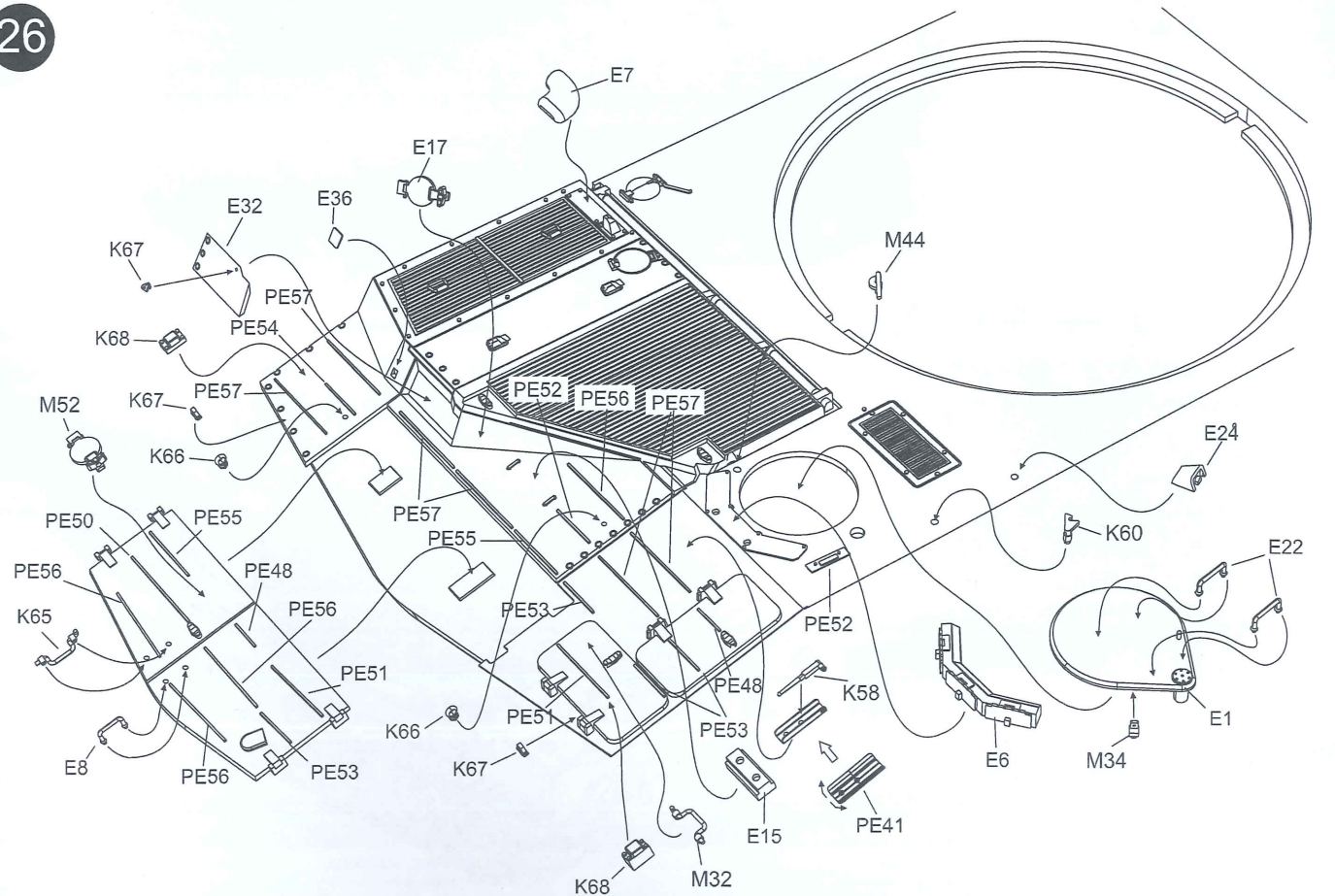
24 ROCHEV VERSION

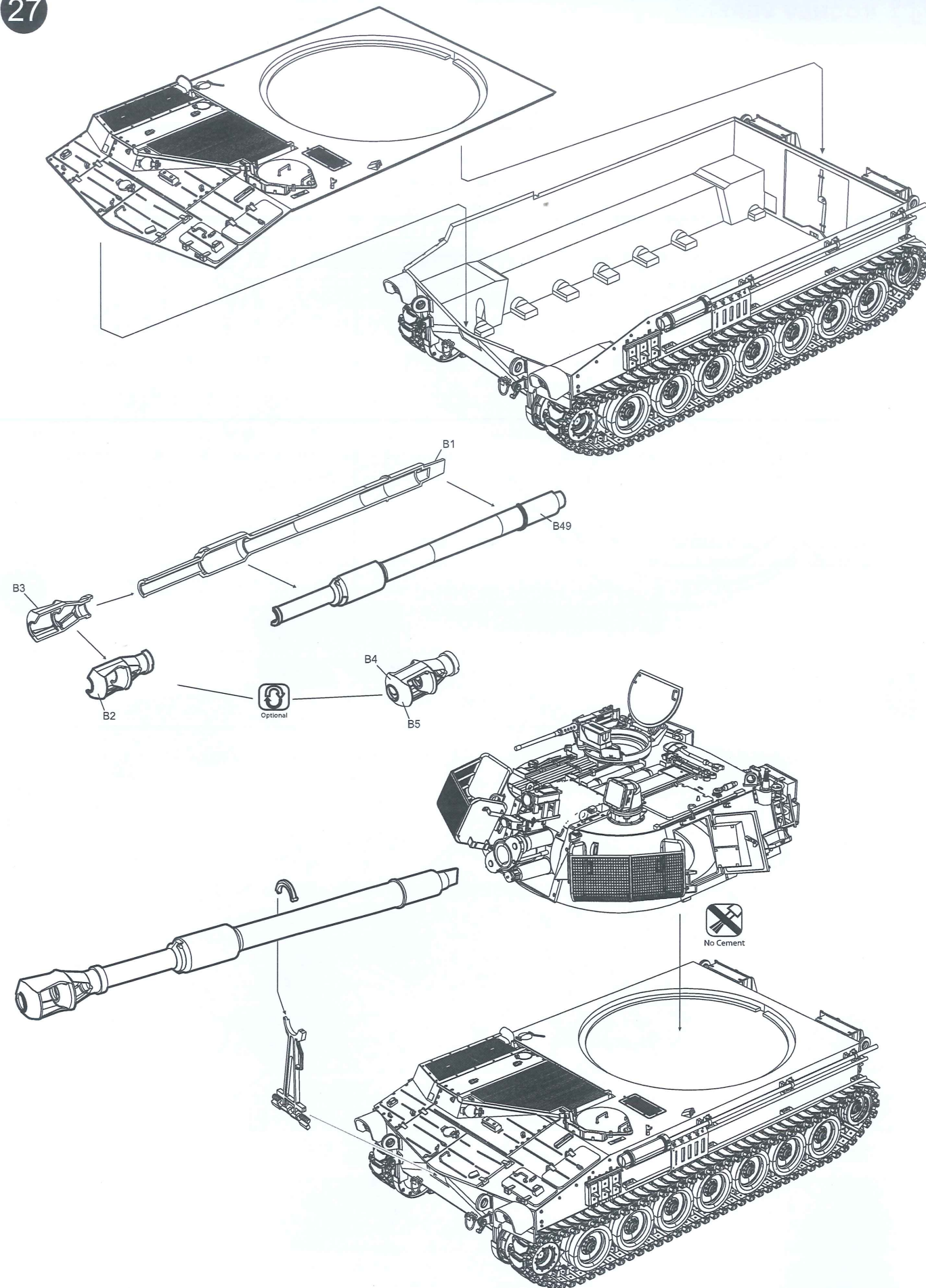


25

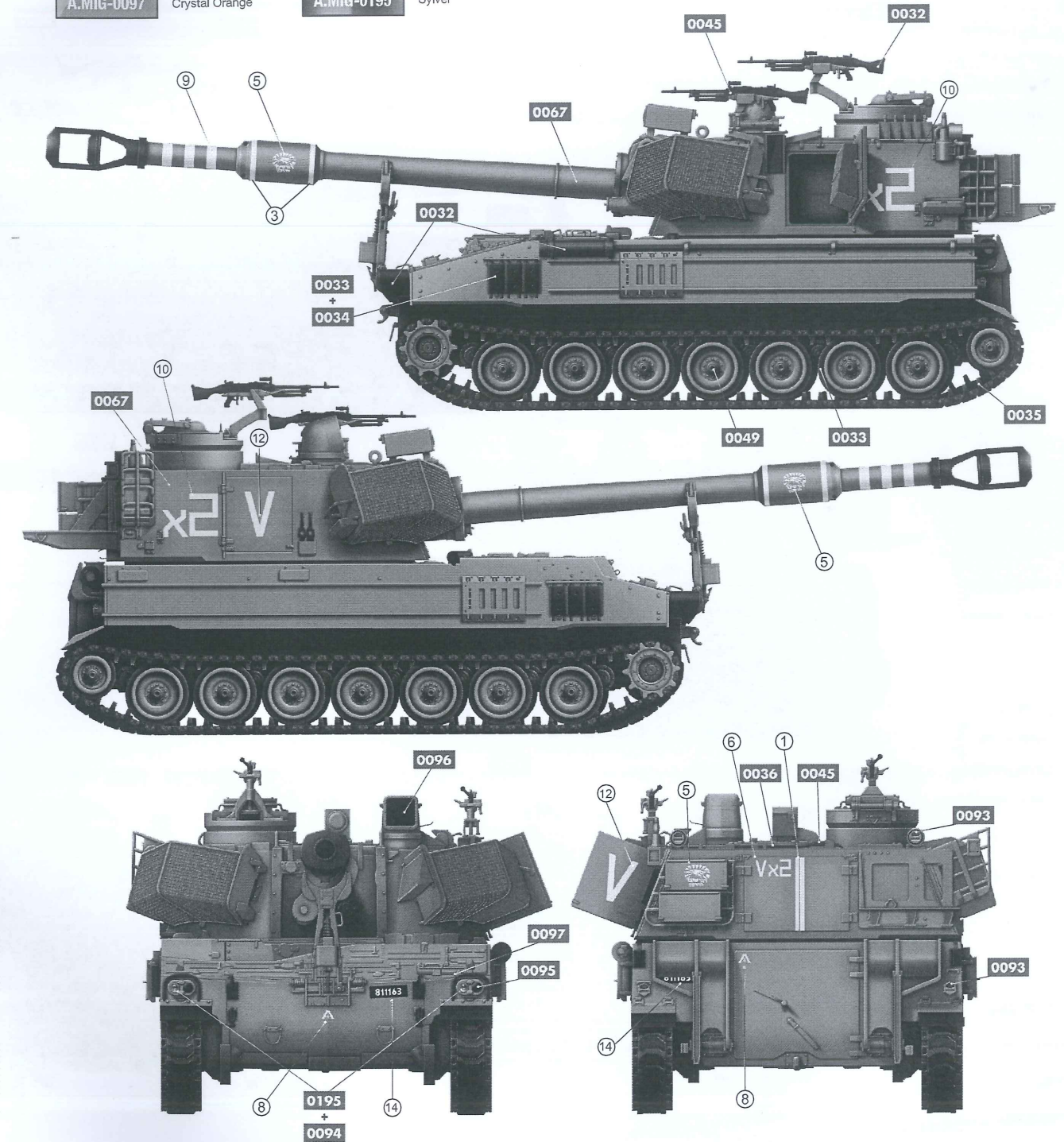


26





- A.MIG-0032 Satin Black
- A.MIG-0033 Rubber & Tires
- A.MIG-0034 Rust Tracks
- A.MIG-0035 Dark Tracks
- A.MIG-0036 Old Wood
- A.MIG-0045 Gun Metal
- A.MIG-0049 Red
- A.MIG-0067 Light Sand Grey
- A.MIG-0093 Crystal Glass
- A.MIG-0094 Crystal Glass
- A.MIG-0095 Crystal Smoke
- A.MIG-0096 Crystal Periscope Green
- A.MIG-0097 Crystal Orange
- A.MIG-0195 Silver

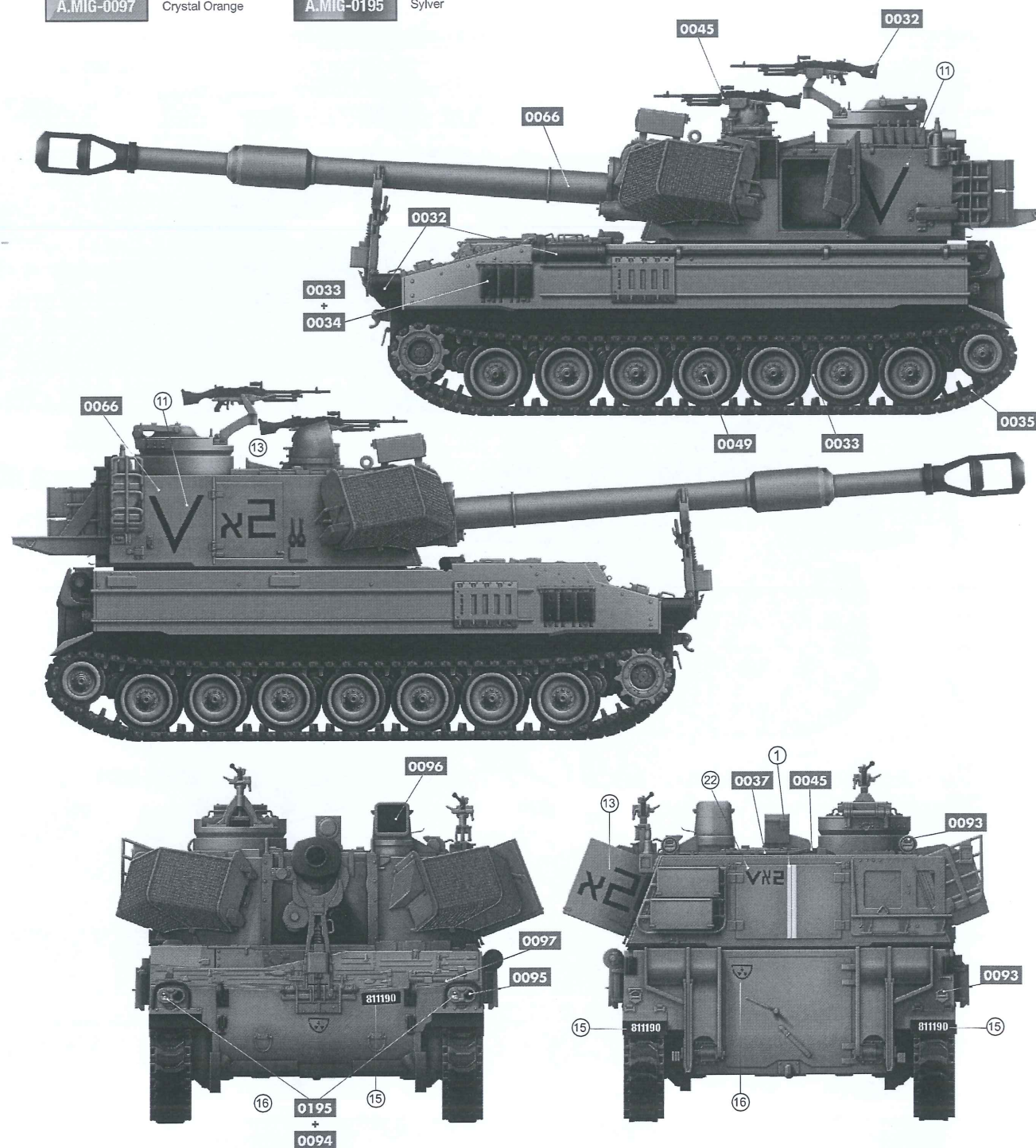


WEATHERING STEPS WITH AMMO PRODUCTS

1 GENERAL WASH A.MIG-1001 Afrika Korps Wash	3 STREAKING A.MIG-1201 Streaking Grime for DAK	5 TRACKS WASH A.MIG-1002 Tracks Wash	7 MUD A.MIG-1702 Turned Earth	9 FUEL A.MIG-1409 Fuel Stains
2 FILTER A.MIG-1505 Grey for Yellow Sand	4 RAINMARKS A.MIG-1258 Streakingbrusher Dust	6 DUST A.MIG-3003 North Africa Dust Pigment	8 SPLASHES A.MIG-1751 Dry Steppe	10 OIL A.MIG-1408 Fresh Engine Oil

M-109 ROCHEV/M-109 DOHER

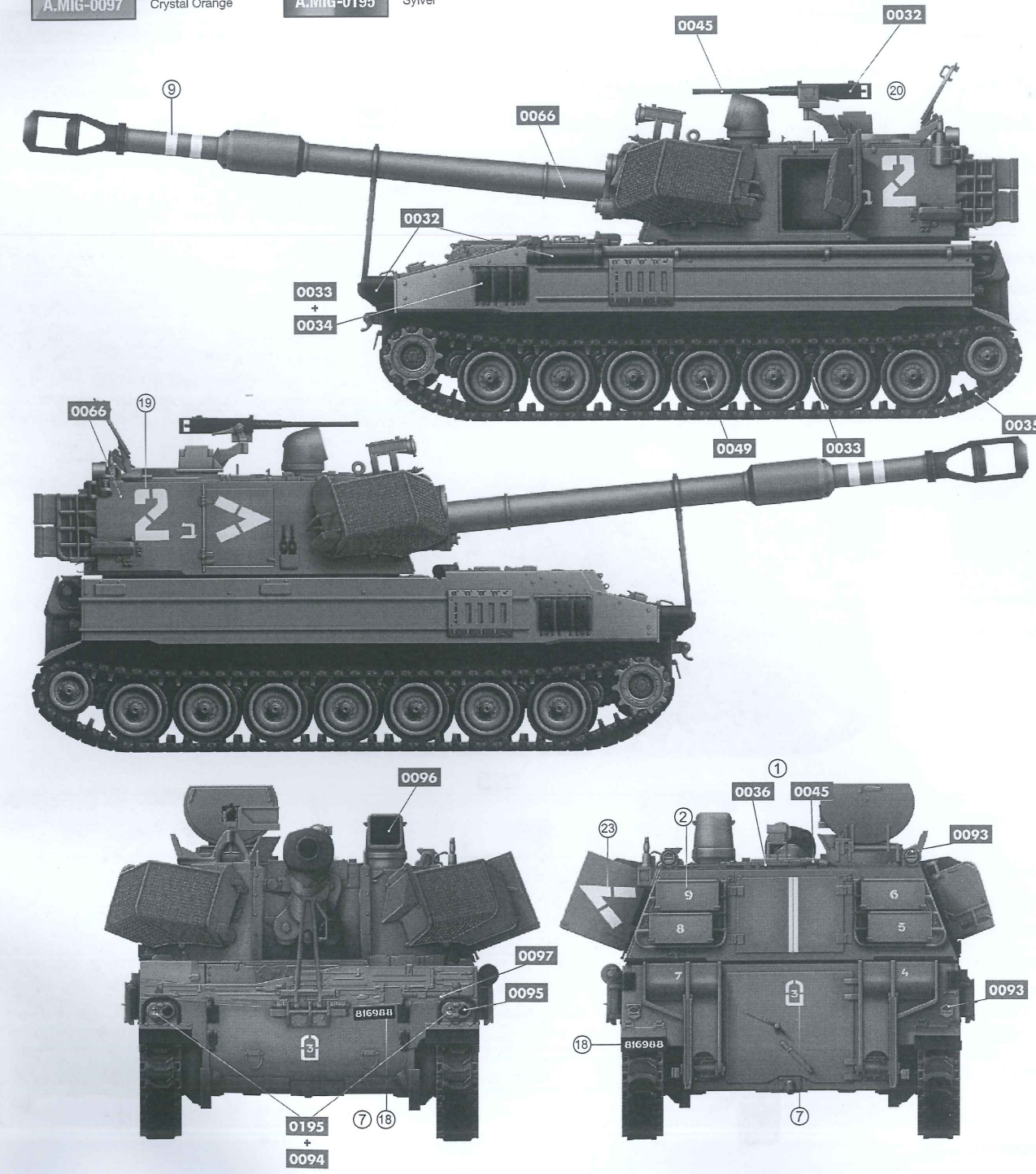
- A.MIG-0032** Satin Black
- A.MIG-0033** Rubber & Tires
- A.MIG-0034** Rust Tracks
- A.MIG-0035** Dark Tracks
- A.MIG-0037** Light Wood
- A.MIG-0045** Gun Metal
- A.MIG-0049** Red
- A.MIG-0066** Faded Sinai Grey
- A.MIG-0093** Crystal Glass
- A.MIG-0094** Crystal Glass
- A.MIG-0095** Crystal Smoke
- A.MIG-0096** Crystal Periscope Green
- A.MIG-0097** Crystal Orange
- A.MIG-0195** Sylver



WEATHERING STEPS WITH AMMO PRODUCTS

1 GENERAL WASH A.MIG-1001 Afrika Korps Wash	3 STREAKING A.MIG-1201 Streaking Grime for DAK	5 TRACKS WASH A.MIG-1002 Tracks Wash	7 MUD A.MIG-1702 Turned Earth	9 FUEL A.MIG-1409 Fuel Stains
2 FILTER A.MIG-1505 Grey for Yellow Sand	4 RAINMARKS A.MIG-1258 Streakingbrusher Dust	6 DUST A.MIG-3003 North Africa Dust Pigment	8 SPLASHES A.MIG-1751 Dry Steppe	10 OIL A.MIG-1408 Fresh Engine Oil

- A.MIG-0032** Satin Black
- A.MIG-0033** Rubber & Tires
- A.MIG-0034** Rust Tracks
- A.MIG-0035** Dark Tracks
- A.MIG-0036** Old Wood
- A.MIG-0045** Gun Metal
- A.MIG-0049** Red
- A.MIG-0066** Faded Sinai Grey
- A.MIG-0093** Crystal Glass
- A.MIG-0094** Crystal Glass
- A.MIG-0095** Crystal Smoke
- A.MIG-0096** Crystal Periscope Green
- A.MIG-0097** Crystal Orange
- A.MIG-0195** Sylver



WEATHERING STEPS WITH AMMO PRODUCTS

1 GENERAL WASH A.MIG-1001 Afrika Korps Wash	3 STREAKING A.MIG-1201 Streaking Grime for DAK	5 TRACKS WASH A.MIG-1002 Tracks Wash	7 MUD A.MIG-1702 Turned Earth	9 FUEL A.MIG-1409 Fuel Stains
2 FILTER A.MIG-1505 Grey for Yellow Sand	4 RAINMARKS A.MIG-1258 Streakingbrusher Dust	6 DUST A.MIG-3003 North Africa Dust Pigment	8 SPLASHES A.MIG-1751 Dry Steppe	10 OIL A.MIG-1408 Fresh Engine Oil