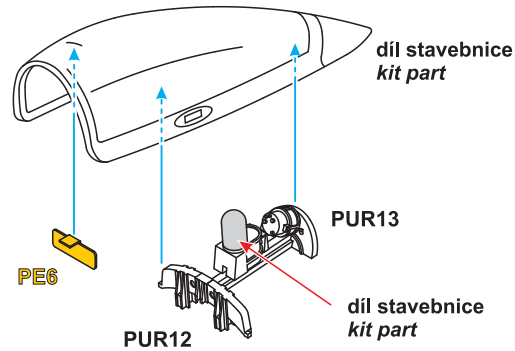
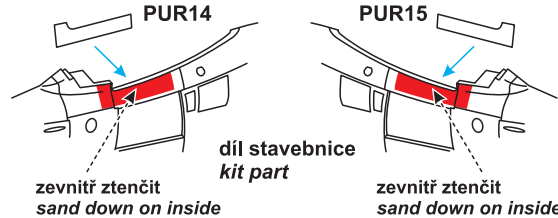
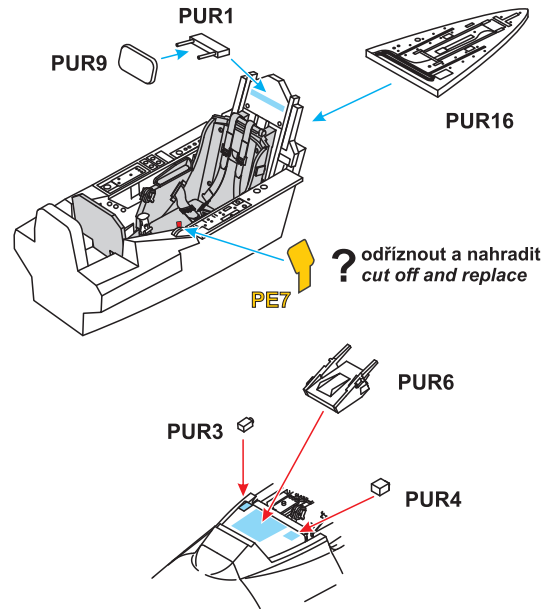
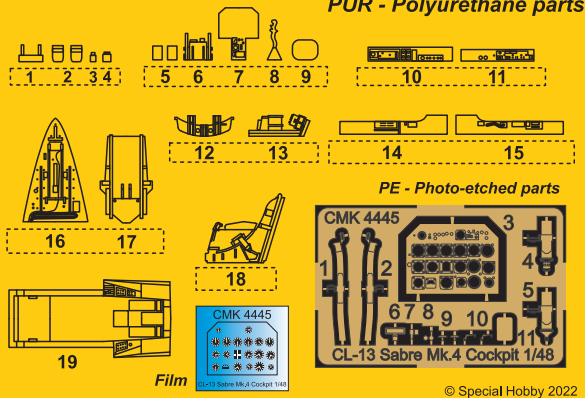


4445
1/48 **Canadair CL-13 Sabre Mk.4**
Cockpit
for Airfix kit



Dřly ohnuté popř. pokroucené vřvem teplotnř změn a stárnutř materiálu, mohou být narovnanř do požadovaného tvaru pomocí proudu teplé vody nebo vzduchu (fěn na vlasy). K lepenř použřit kyanoakrylátové lepidlo! Kontaktnř plochy doporuřujeme před lepenř odmastřt. Různě drátky a tyřinky nejsou přiloženy.

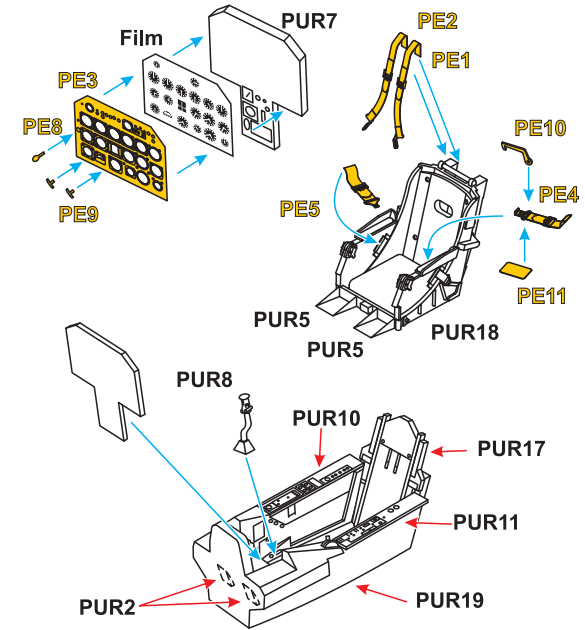
Parts slightly distorted and bent owing to temperature changes or due to material ageing can be straightened to requested shape by hot water or hot air jet (hair dryer). This process can be repeated till result is entirely satisfactory. For best result use cyanoacrylate glue! Contact areas ungrease is recommended before gluing. Wires and rods not included.

Visit our official website and e-shop at
www.cmkkits.com
www.specialhobby.eu
www.facebook.com/specialhobby/



Use this!
CMK H1010
The Razor Saw with Handle (cat. n. H1010)
is a great tool for cutting both plastic and resin.
CMK also offers a wide variety
of coarse / medium / fine saws.

Special Hobby, Mezilesř 718, Praha 9, 193 00, Czech Republic
e-mail: office@specialhobby.eu



Special Hobby
offers for 1/48 CL-13 Sabre (Airfix kit)
4446 Canadair CL-13 Sabre Mk.4 Undercarriage Bays
4447 Canadair CL-13 Sabre Mk.4 Gun Bays
4448 Canadair CL-13 Sabre Mk.4 Airbrakes sets as well

4448
1/48 **Canadair CL-13 Sabre Mk.4**
Airbrakes
for Airfix kit

