

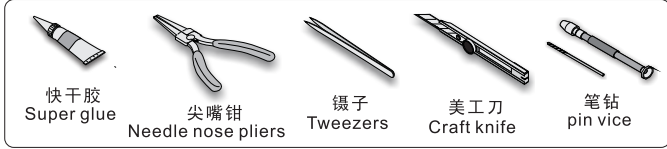
1/35 MILITARY MINIATURE VEHICLE UPGRADE SERIES PE35263

WWII German Sd.Kfz.251/1 Ausf.D Armoured Personnel Carrier Bench & boxes

二战德军Sd.Kfz.251/1 Ausf.D装甲运兵车内部座位及杂物箱改造件

[For DRAGON Kit]

推荐使用工具 RECOMMENDED TOOLS



↑
安装
install

↙
折叠
bend

A1
改造件零件编号
PE/resin part number

✂
切除
remove

■
填补
fill

↻
弧度卷曲
radial bending

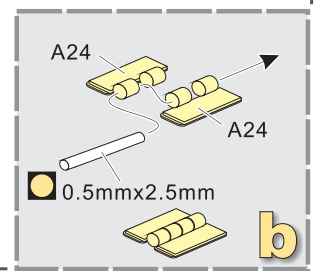
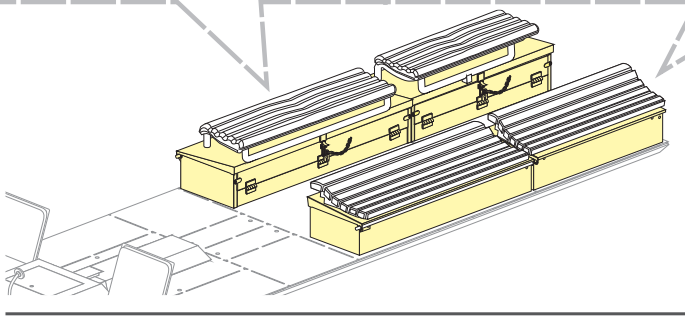
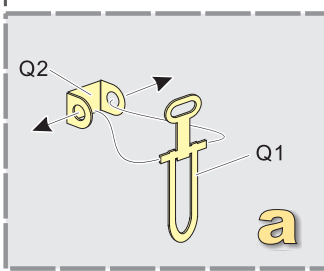
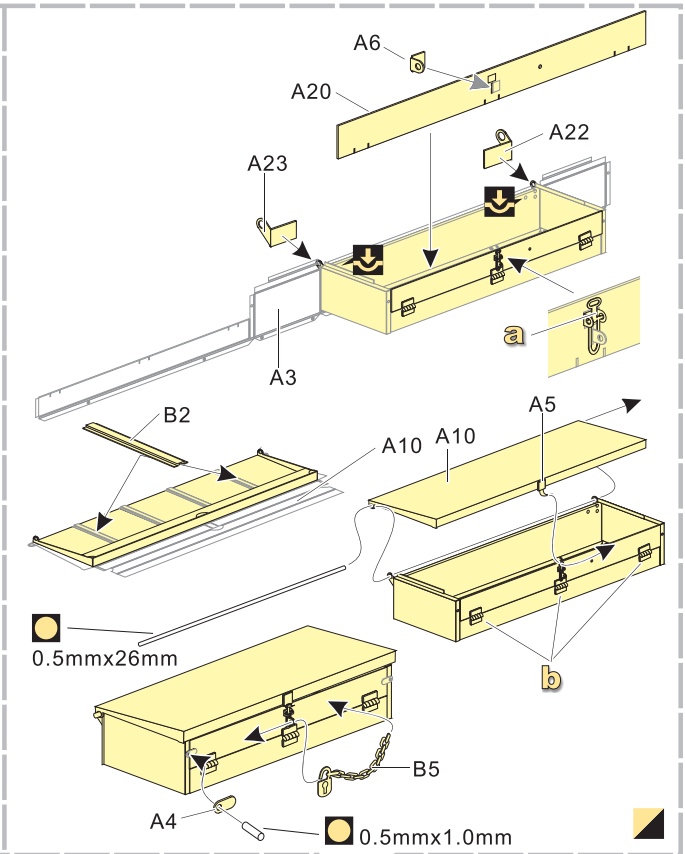
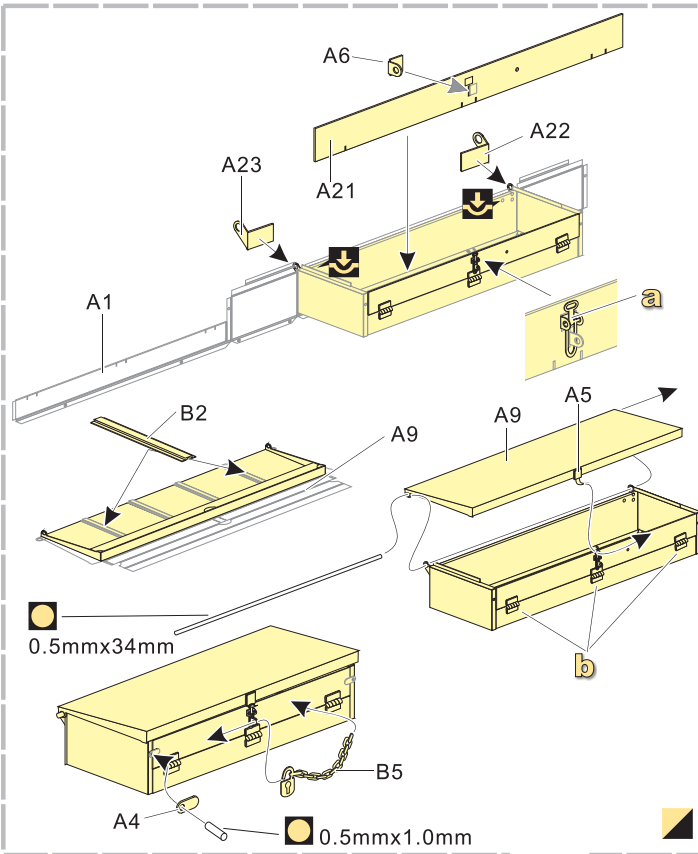
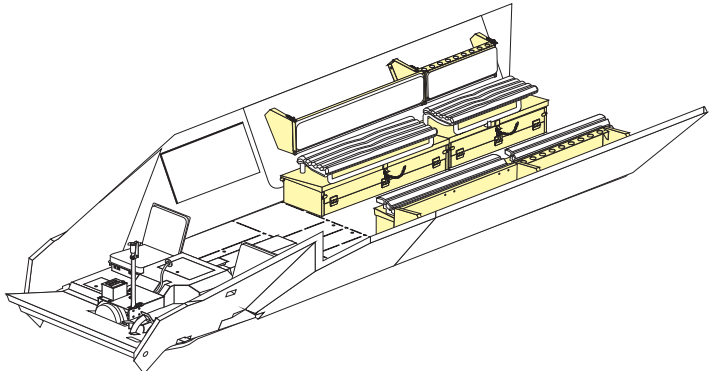
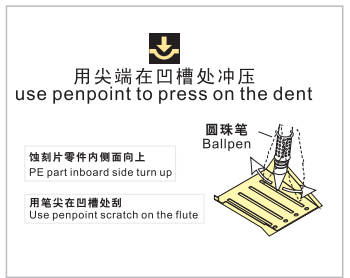
x2
制作若干组
multiple assembly

■
另一侧相同制作
repeat on opposite side

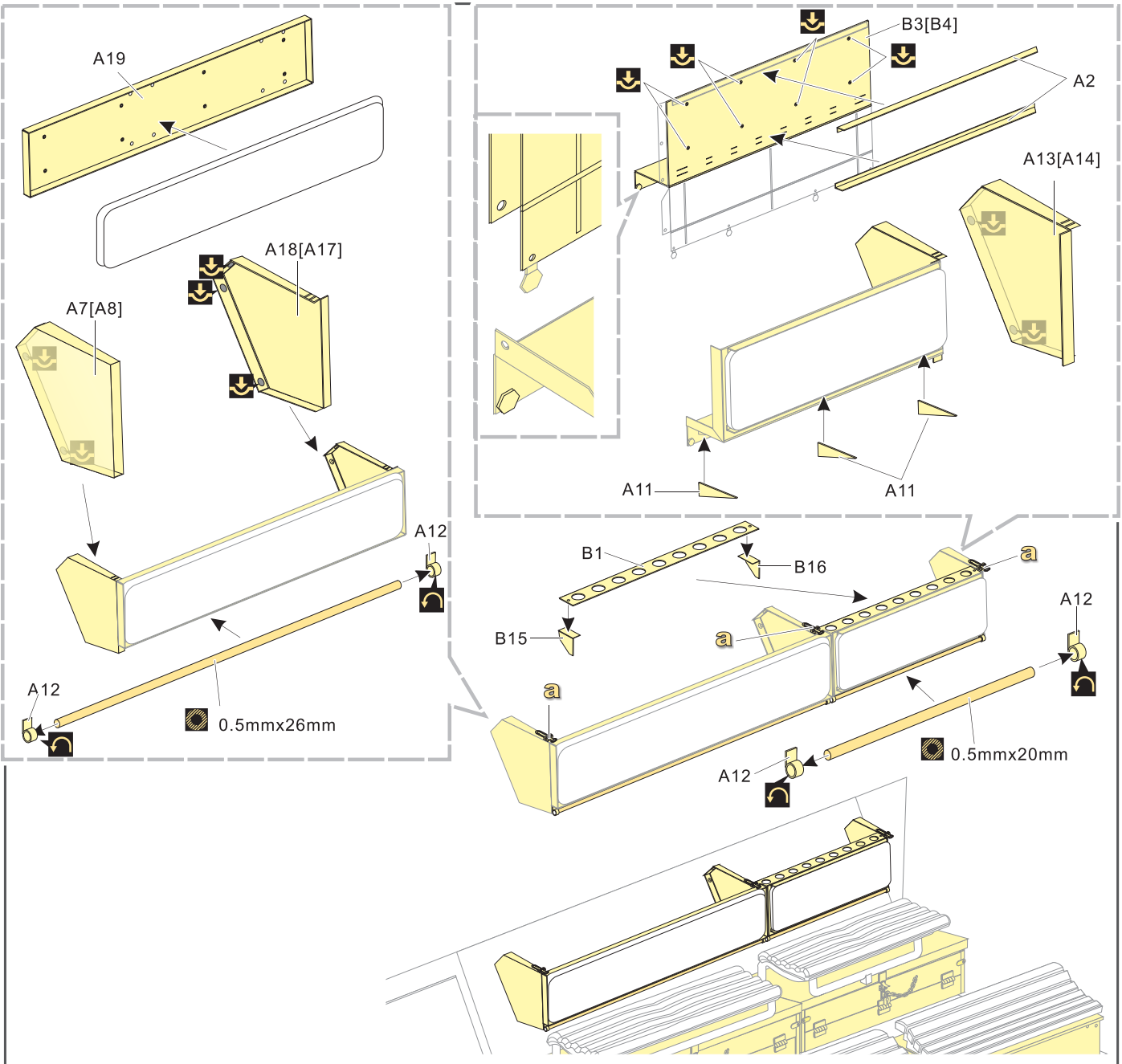
⇄
选择安装
alternative

●
用胶棒制作
make from plastic rod

■
用铜管制作
make from brass tube



1/35 MILITARY MINIATURE VEHICLE UPGRADE SERIES PE35263



推荐使用PE35258二战德军Sd.Kfz.251/1 Ausf.D装甲运兵车基本改造件进一步升级
We suggest use PE35258 WWII German Sd.Kfz.251/1 Ausf.D Armoured Personnel Carrier for further upgrade.

推荐使用PEA117二战德军 Sd.Kfz. 251 /Sd.Kfz.11装甲车重力轮胎式样1进一步升级
We suggest use PEA117 WWII German Sd.Kfz.251 /Sd.Kfz.11 Road Wheels Pattern 1 for further upgrade.

推荐使用PE35265二战德军Sd.Kfz.251 Ausf.D装甲车早期型装甲板改造件进一步升级
We suggest use PE35265 WWII German Sd.Kfz.251 Ausf.D Early Version Armour Plate for further upgrade.

推荐使用PE35264二战德军Sd.Kfz.251 Ausf.D装甲车外部杂物箱及翼子板改造件进一步升级
We suggest use PE35264 WWII German Sd.Kfz.251 Ausf.D Side Stowage Bins & Fenders for further upgrade.

推荐使用PE35266二战德军Sd.Kfz.251 Ausf.D装甲车地板改造件进一步升级
We suggest use PE35266 WWII German Sd.Kfz.251 Ausf.D Floor for further upgrade.

