

German KARL-Geraet 040/041 on Railway Transport Carrier

ドイツ自走臼砲カール用鉄道運搬車(後期型)

德国“卡尔”自行臼炮 晚期铁路运输型

PLEASE READ BEFORE OPERATION!

- * Tools recommended as below: (Not included)
Adhesives; Paints; Side Cutters; Sharp Edged Pliers; Modeling Knife; Modeling File; Nippers; Drill; Scissors; Sand Paper; Soft Cloth; Cyanoacrylate Glue.
- * Make sure to read this instruction listed below before assembling.
- * The kit contains the small parts, they can be dangerous if swallowed by mistake, so keep them away from reach of children.
- * Cut the all parts off carefully and remove the waste parts into the garbage can.
- * More caution and care should be needed for cutting and handling the photo etched parts.
- * Make attention that some parts should be attached the decal when assembled.
- * During assembling, please tear up and throw away the plastic bags, or may cause the dangerous if wearing over head by children's mistake.
- * When using the adhesives and paints, please do not use them in the closed room or near the fire, also must be very careful to protect your eyes, face and clothes.
- * Adult supervised when assembled by children under 14 years old.

装配前请仔细阅读:

- * 推荐使用的模型工具(请自备):
专用模型胶水, 专用模型油漆, 水口剪刀, 长咀钳, 刀片, 锉刀, 镊子钳, 钻, 剪刀, 软布, 砂纸, 瞬间快干胶等。
- * 用水口剪刀或刀片小心切下所有塑胶零件和蚀刻片零件, 不要遗失小零件。
- * 切取蚀刻片时应特别注意防止利边划伤手指。
- * 用模型锉刀小心锉平所有零件表面的注射浇口。
- * 用适量的强力快干胶水粘合蚀刻片零件和金属轴, 切忌过量, 否则可能导致可动零件被粘住。
- * 注意某些零件表面需在装配时同步贴上水贴纸。
- * 制作时应远离幼儿并将包装袋及时收妥, 谨防小孩玩耍而引起意外。



强力胶

Cyanoacrylate glue



配重

Weight



钻孔

Make hole



切除

Cut/Remove



选择

Option



不涂胶水

No cement



贴纸

Decal



弯曲

Bend



填补

Repair



先装

Install it first

The method to apply the decals

1. Cut off the decal from the decal paper and put it into the warm water 40°C for 10 seconds.
2. Take the decal from the water and put it on a piece of clean cloth.
3. Remove the decal slowly from the paper to the targeted location by a wet finger.
4. Use a piece of dry and soft cloth to press it gently on the decal until it getting dry and no bubble existing.

水贴纸的使用方法:

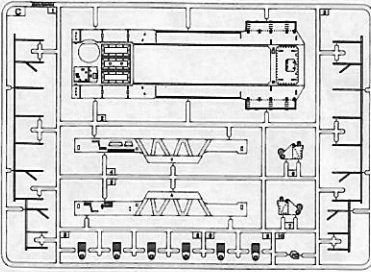
- 一. 把相关的印花从水贴上剪下, 放入40°C左右的温水中浸10秒。
- 二. 然后将印花放在干净的布上。
- 三. 拿上印花纸板, 手指蘸水将印花移到适当的位置。
- 四. 用软干布轻压印花直至水干, 气泡消失。

部品图

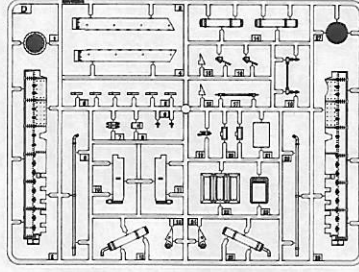
Parts

卡尔臼炮
Morser KARL-Geraet

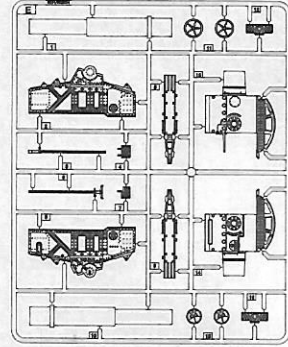
Cx1



Dx1



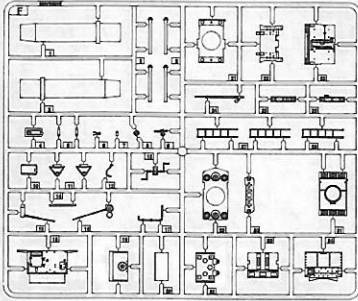
Ex1



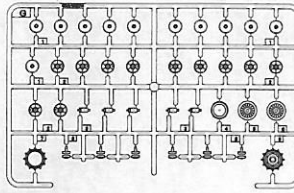
E1718



Fx1



Gx2

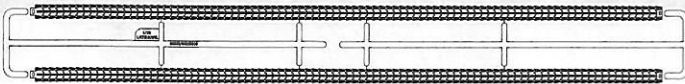


<<金属轴>>
Metal shaft

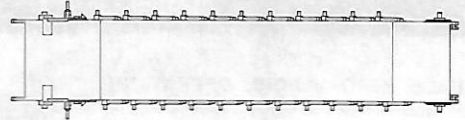
<<弹簧>>
Spring x4



<<履带>>
Track

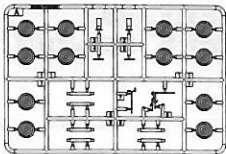


<<车底>>
Lower hull

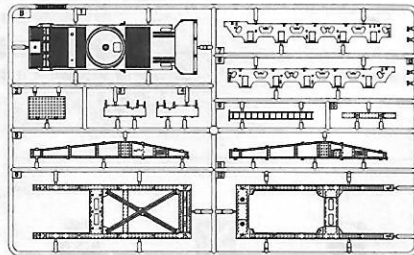


德国卡尔炮铁路运输台车
German Rail Transporter for karl-Gerat

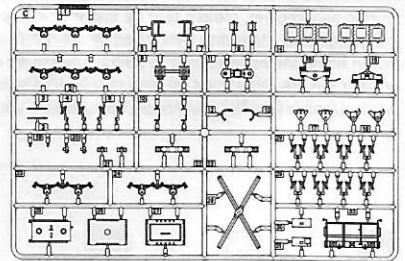
Ax2



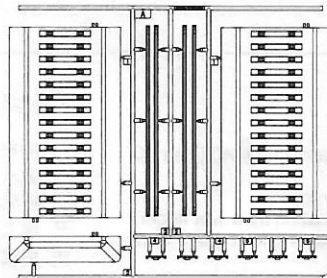
Bx2



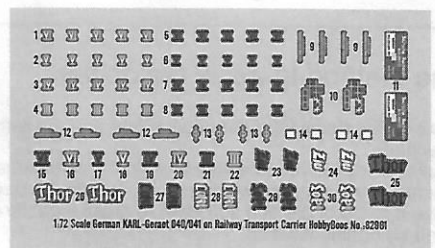
Cx2



Ax2

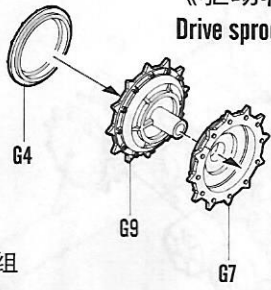


<<水贴>>
Decal



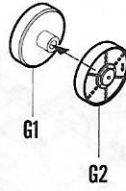
1
STEP

《驱动轮》
Drive sprocket



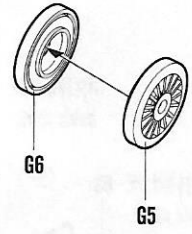
制作2组
Make two

《负重轮》
Road wheel



制作22组
Make twenty-two

《诱导轮》
Idler wheel

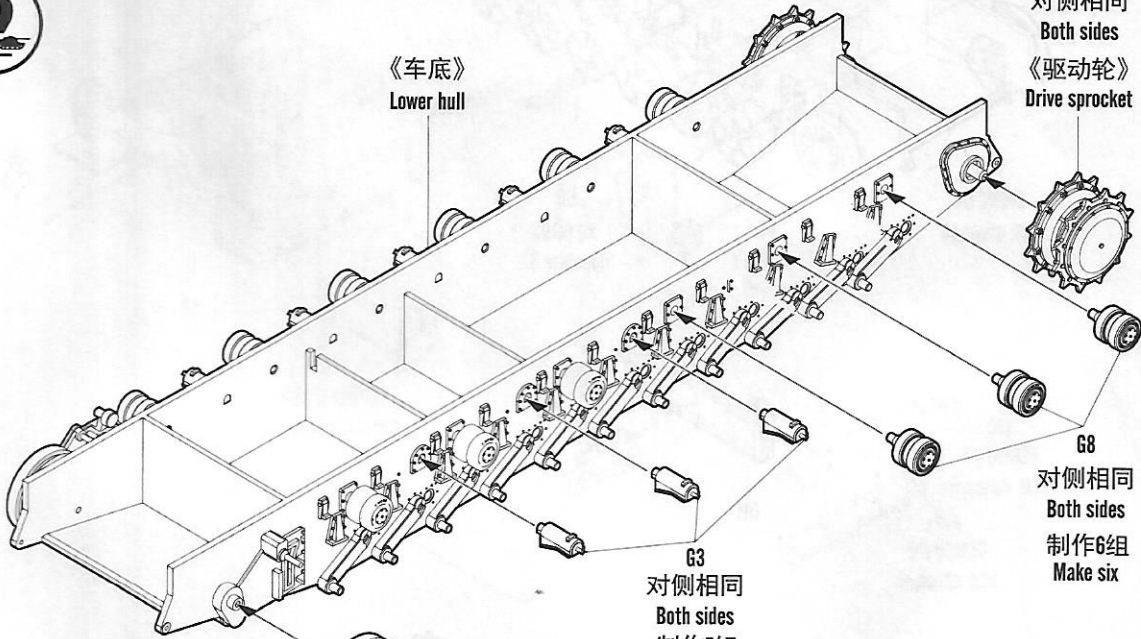


制作2组
Make two

2
STEP

《车底》
Lower hull

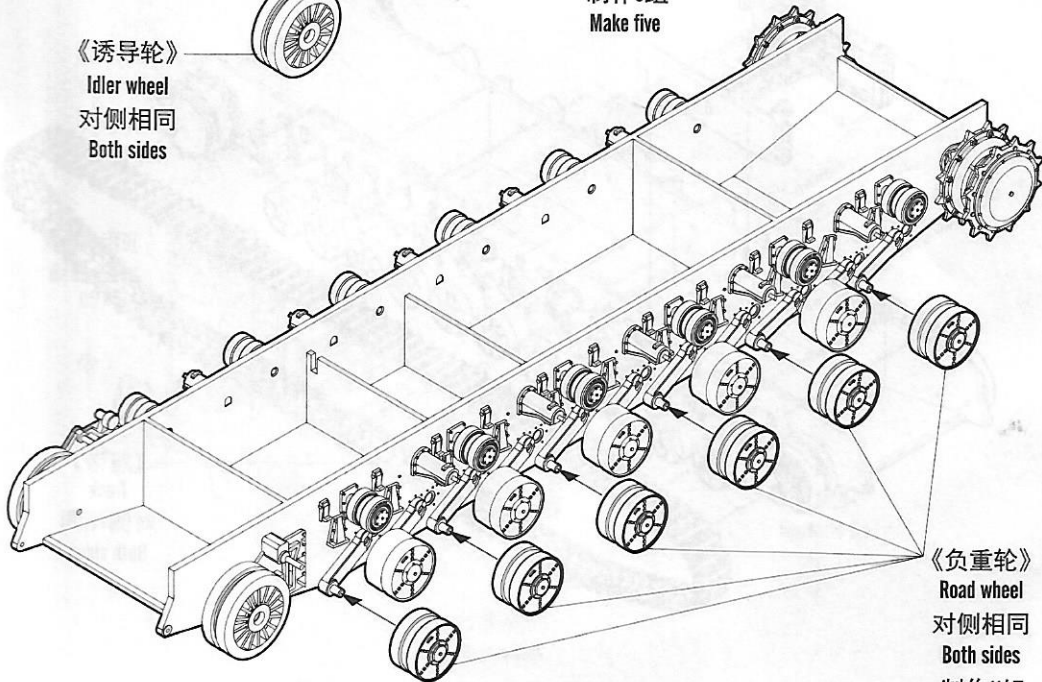
对侧相同
Both sides
《驱动轮》
Drive sprocket



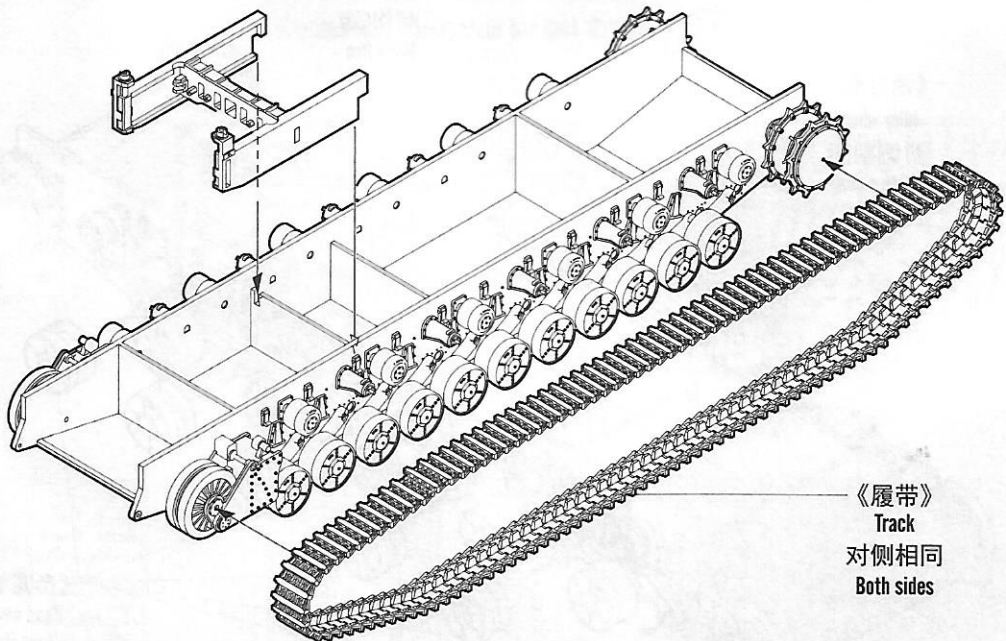
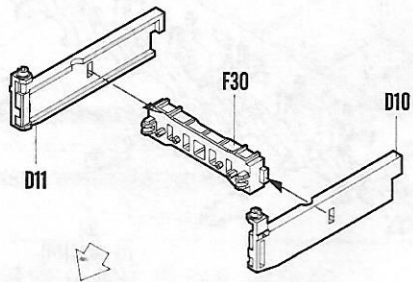
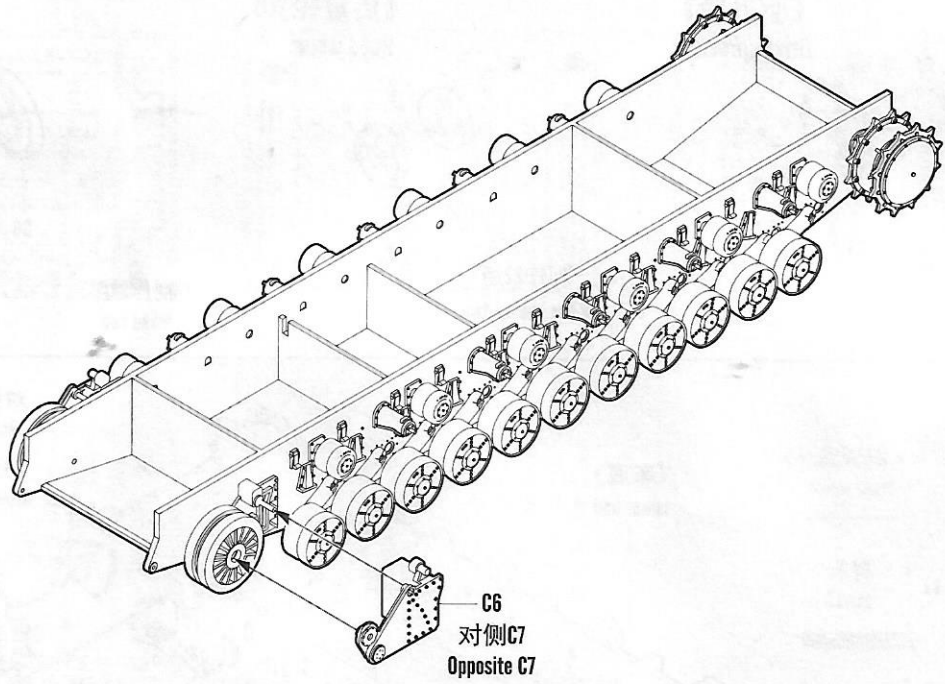
对侧相同
Both sides
制作6组
Make six

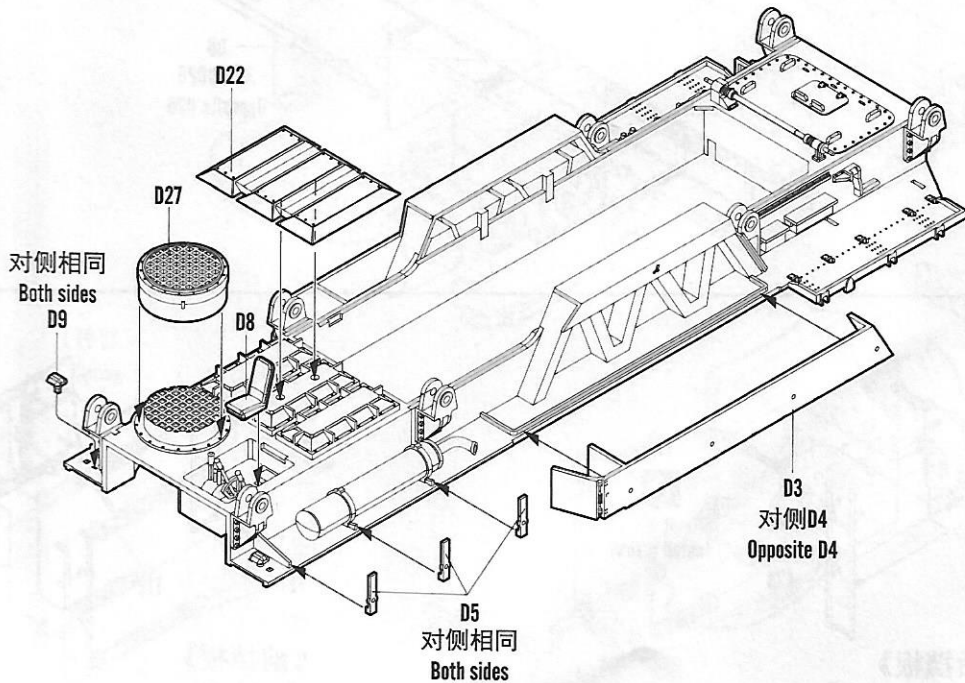
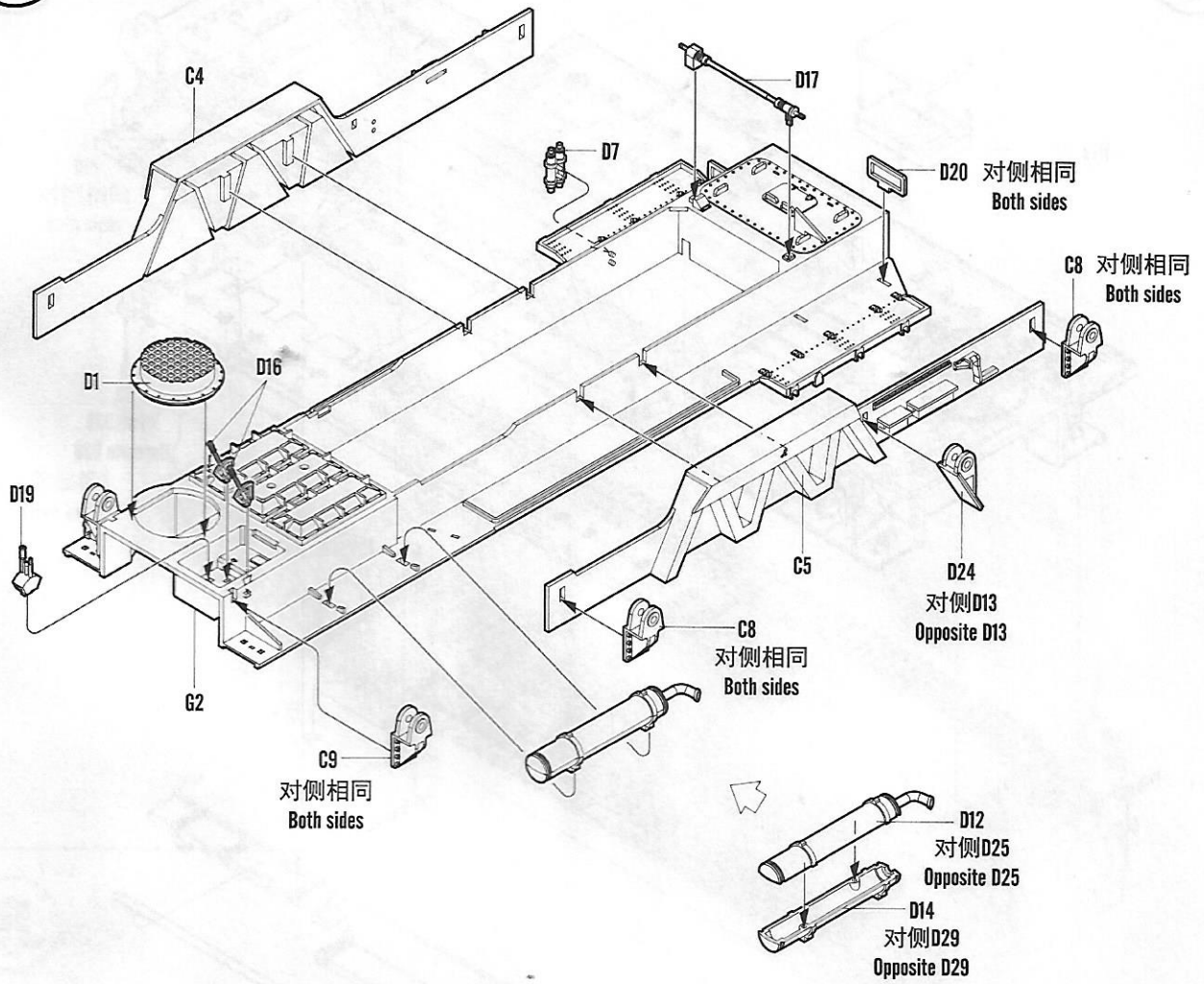
对侧相同
Both sides
制作5组
Make five

《诱导轮》
Idler wheel
对侧相同
Both sides

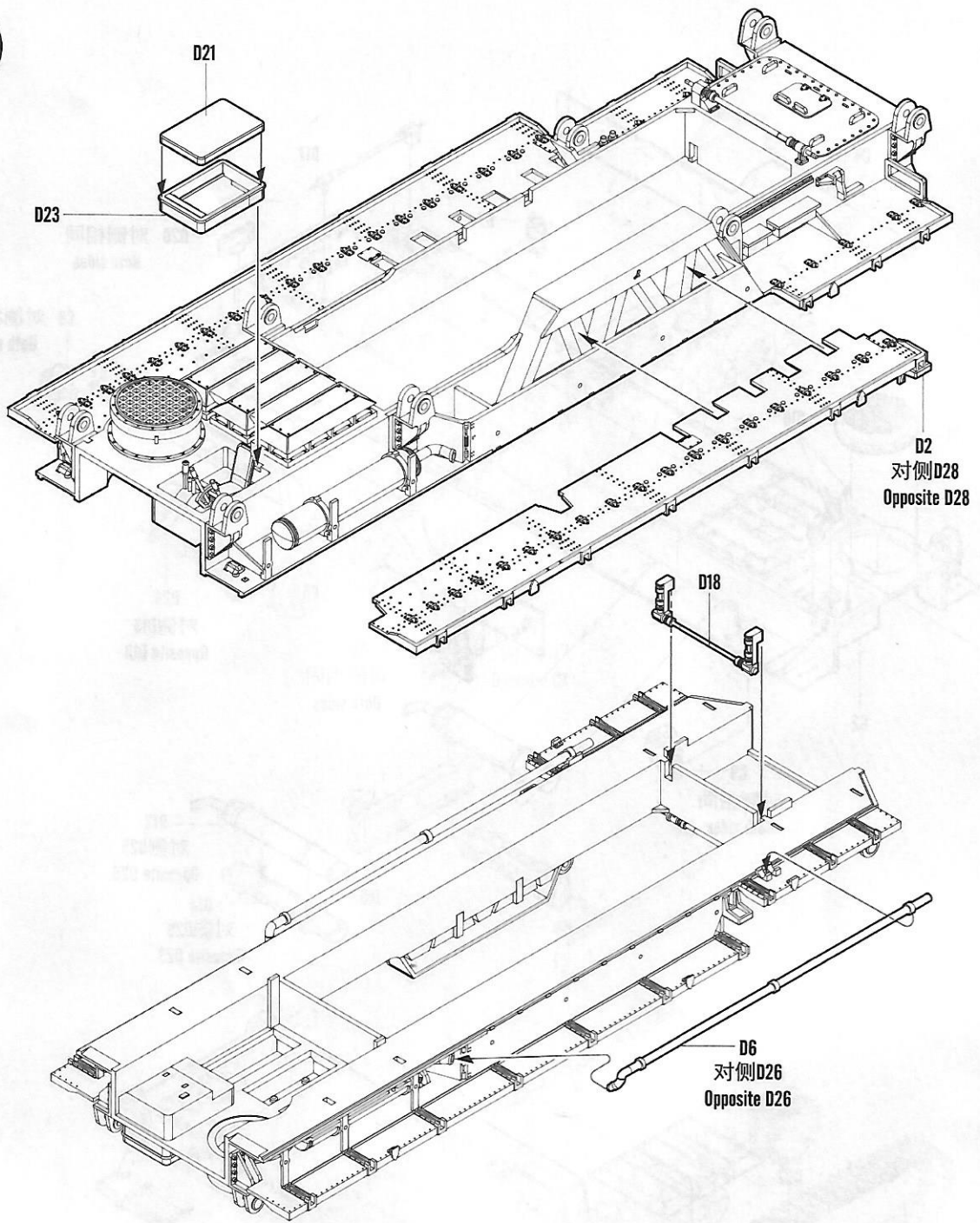


《负重轮》
Road wheel
对侧相同
Both sides
制作11组
Make eleven





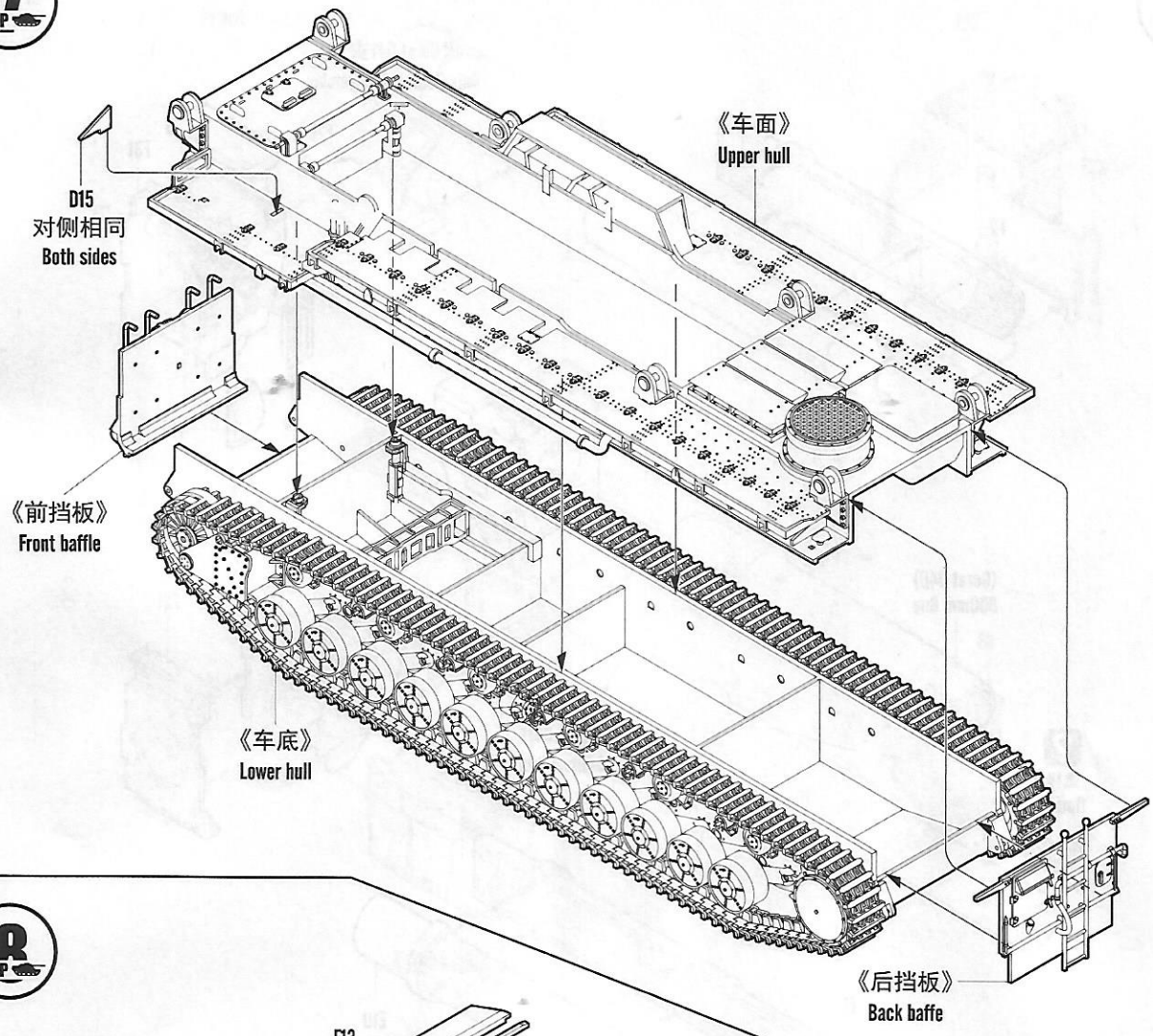
5
STEP



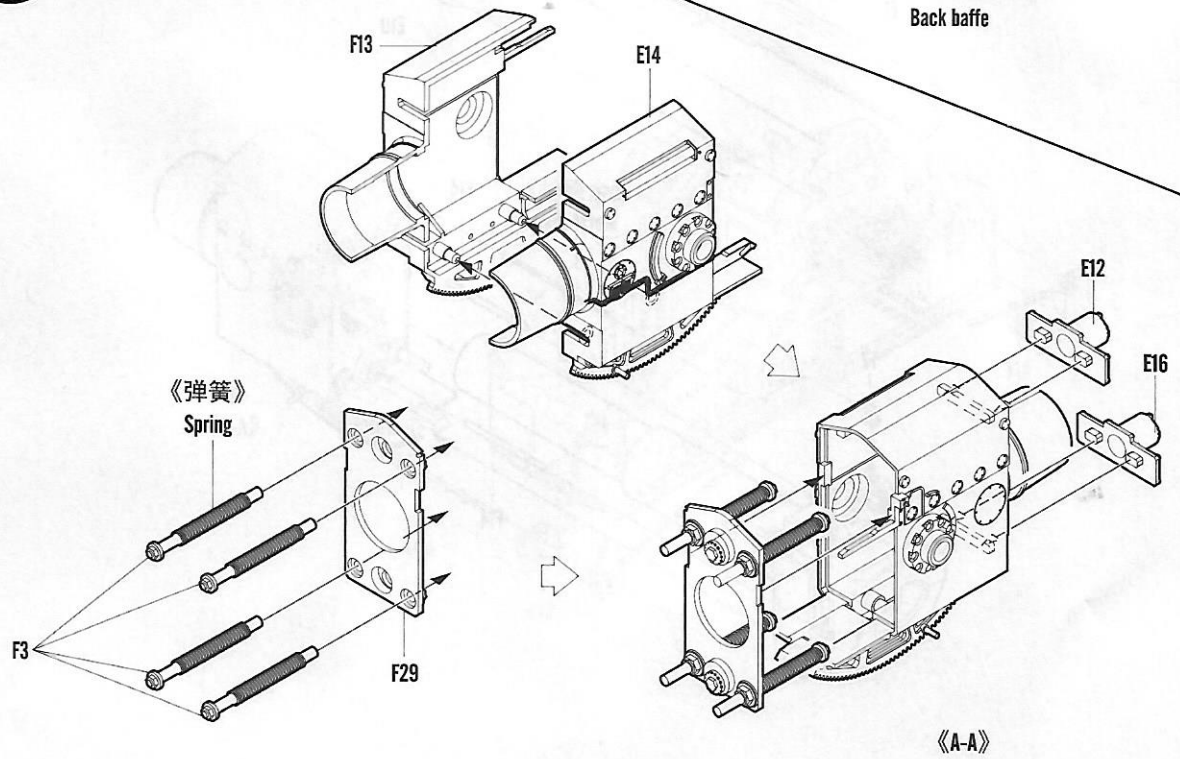
6
STEP



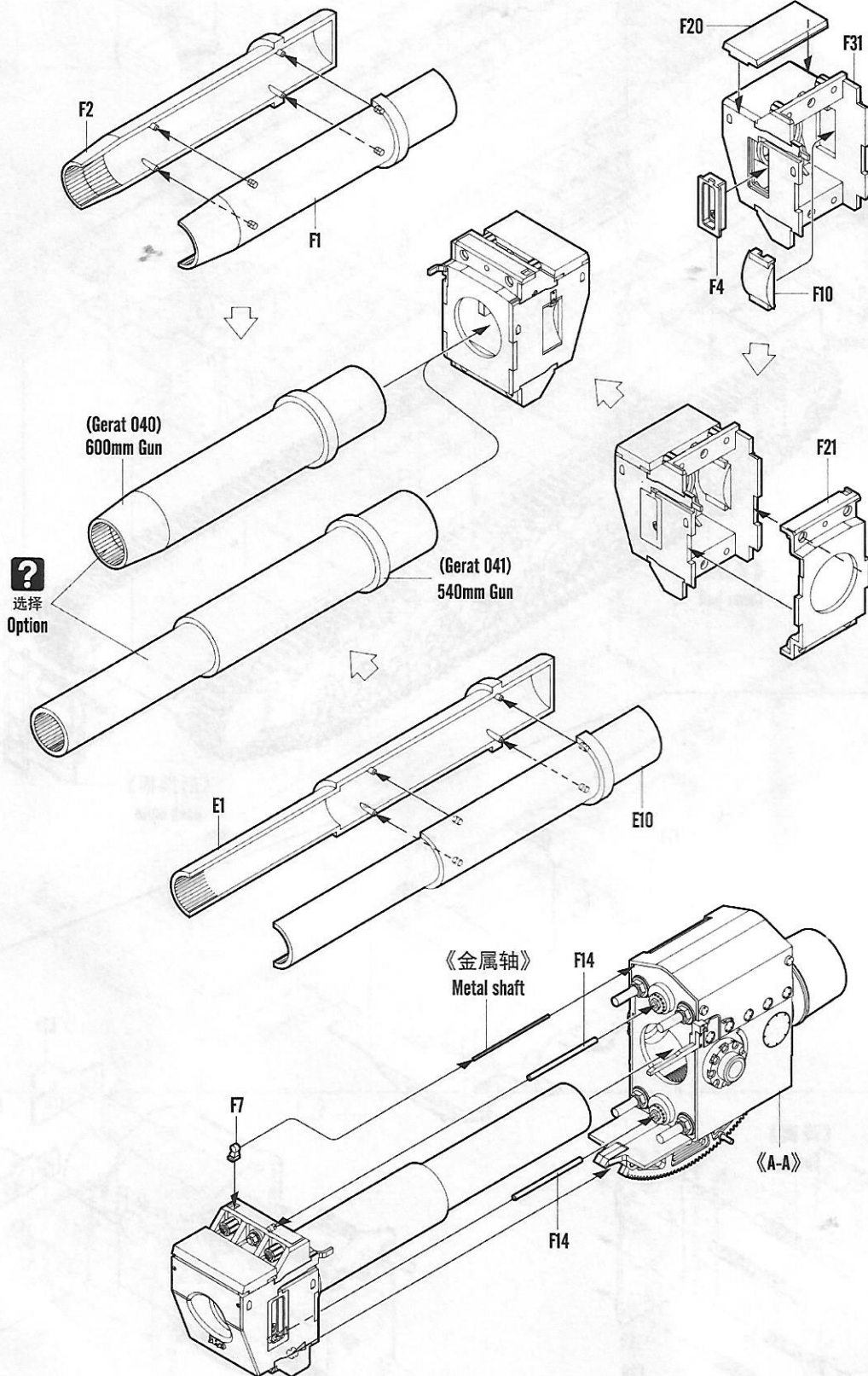
7
STEP



8
STEP

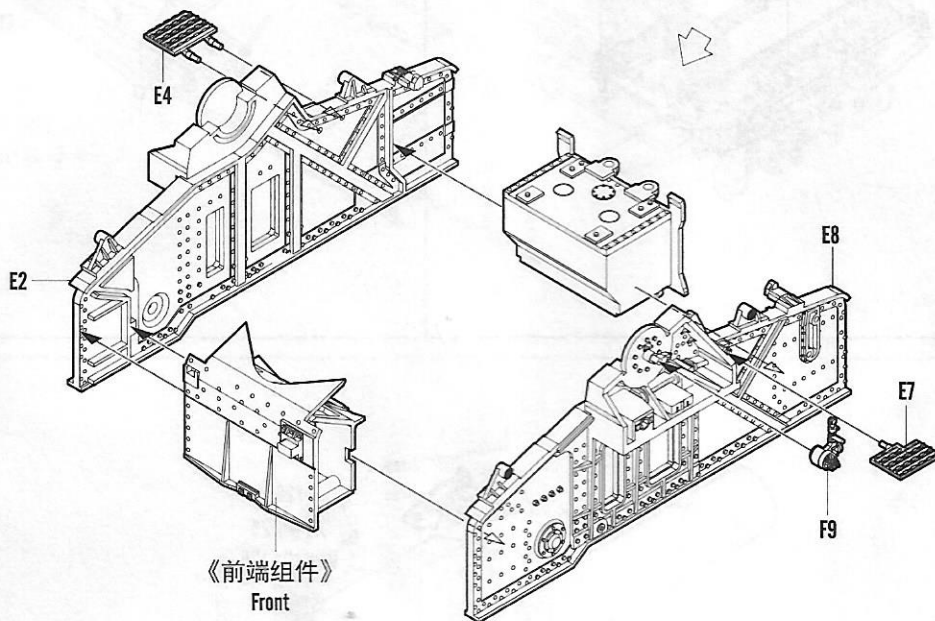
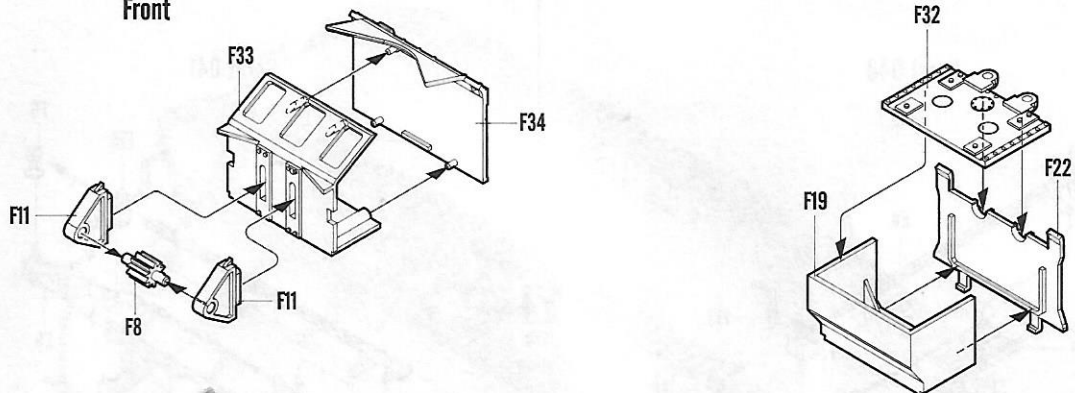


仅 Gerat 041 安装
Only Gerat 041 assembly



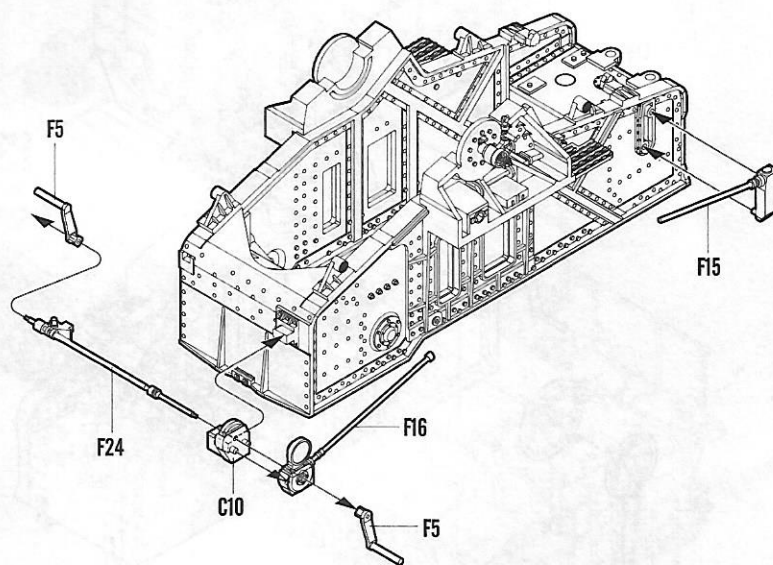
《前端组件》

Front



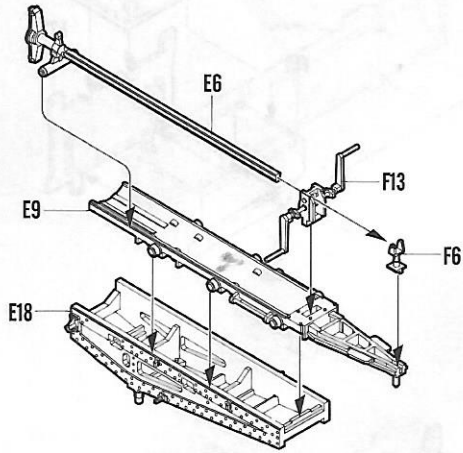
《前端组件》

Front

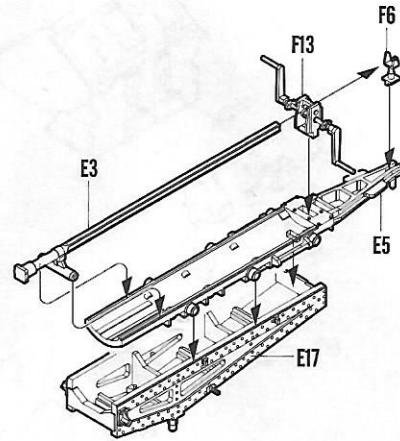


11
STEP

Gerat 040

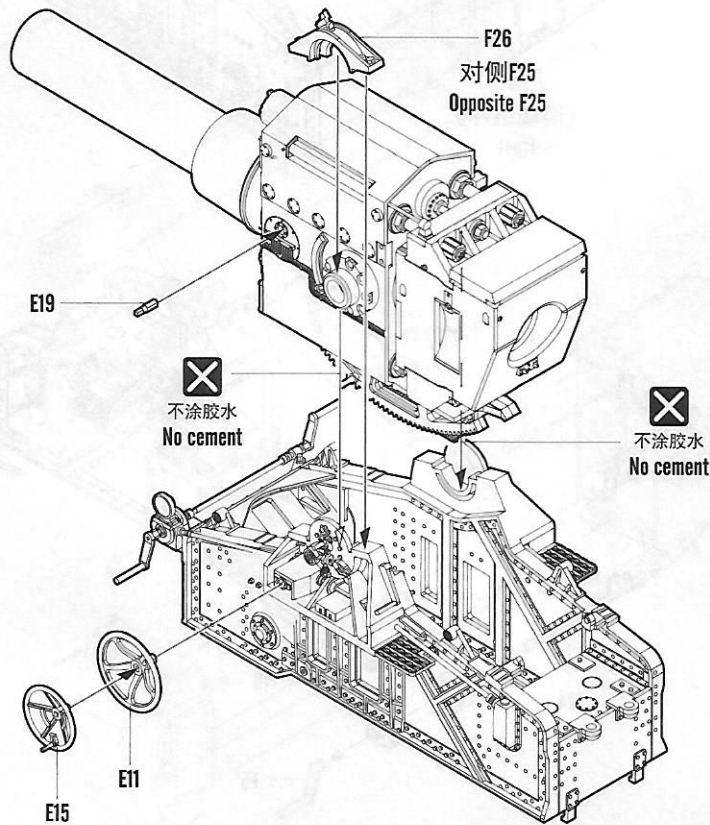


Gerat 041

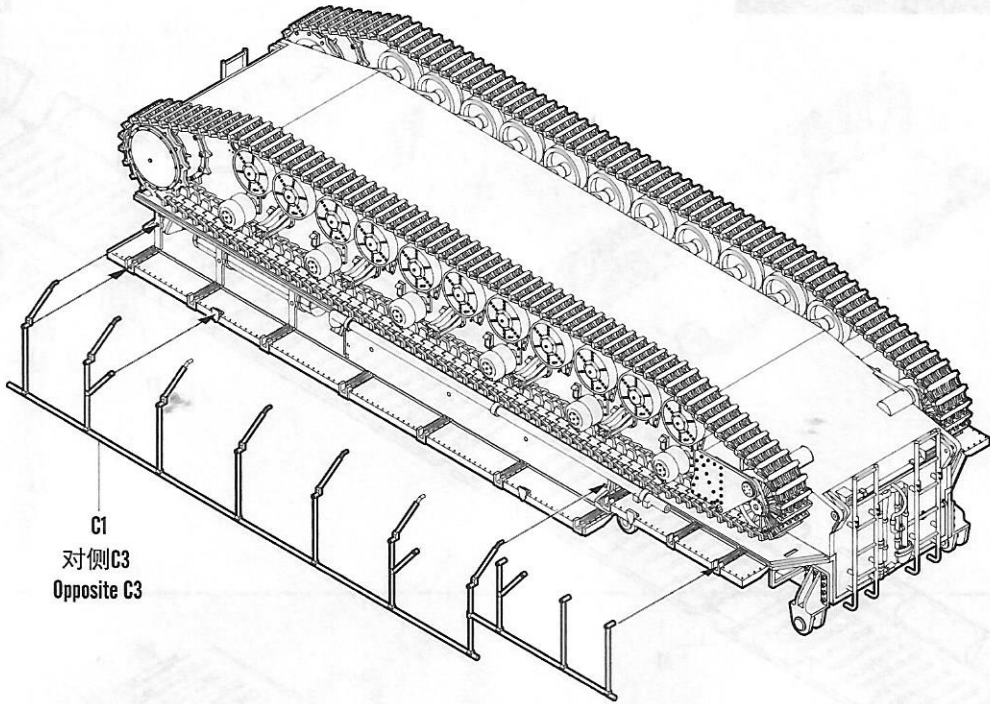


?
选择
Option

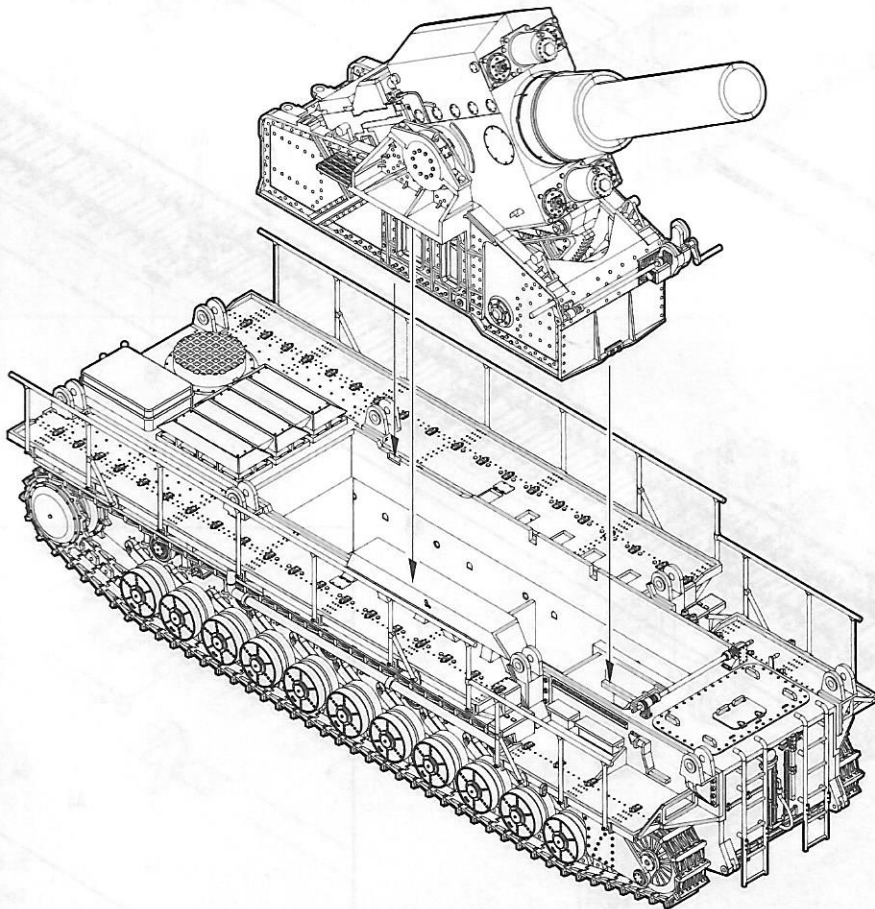
12
STEP



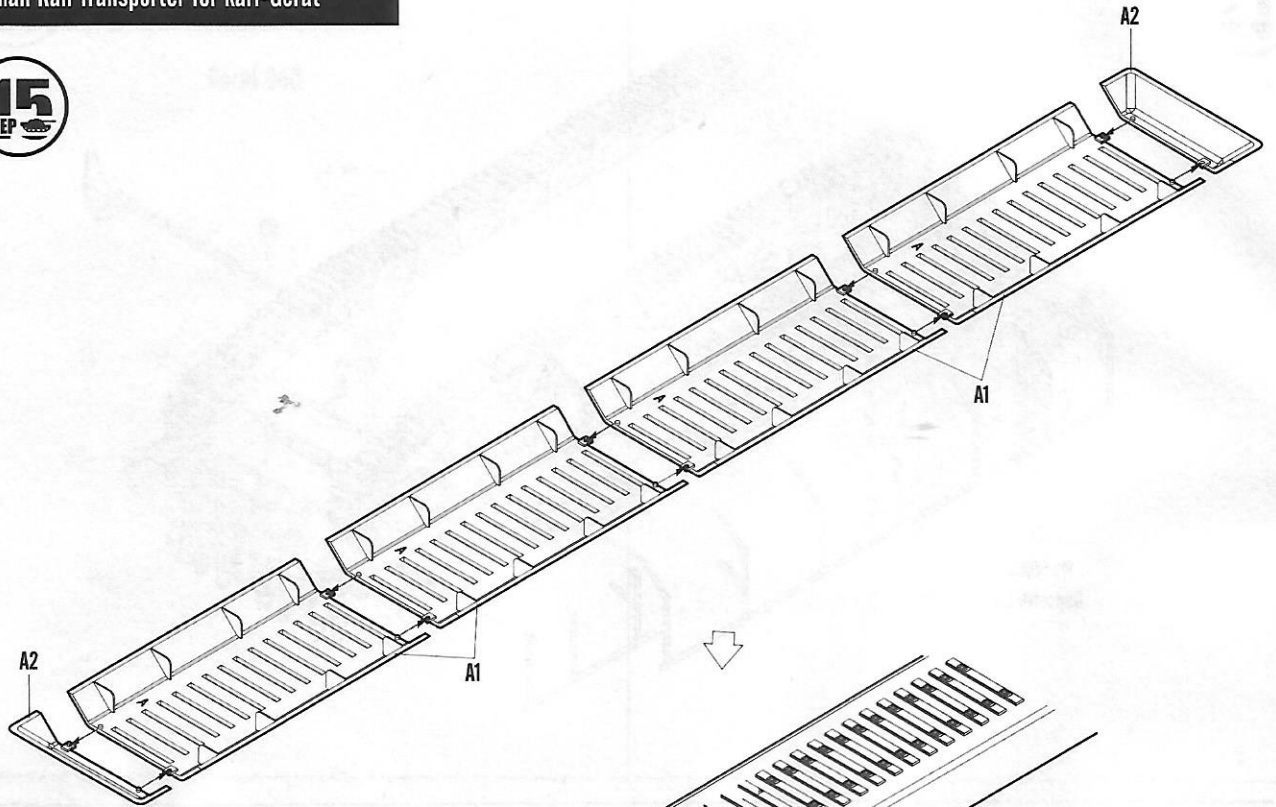
13
STEP



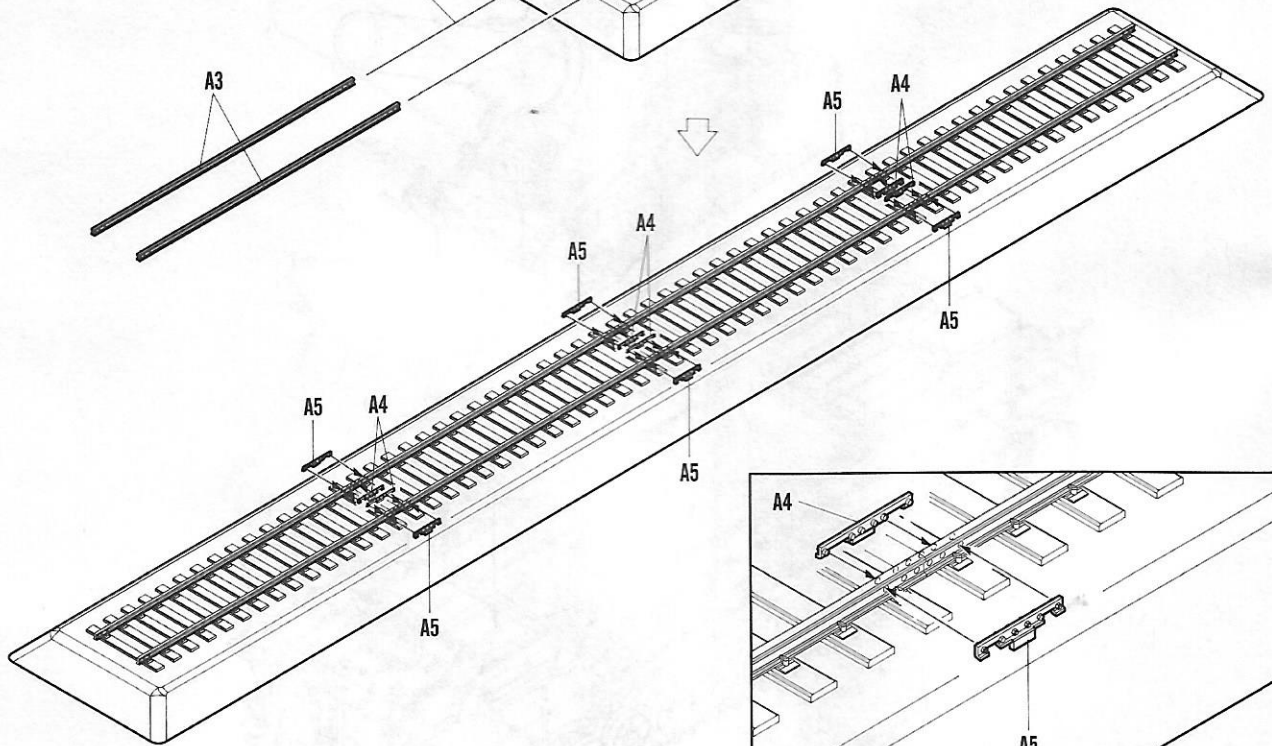
14
STEP

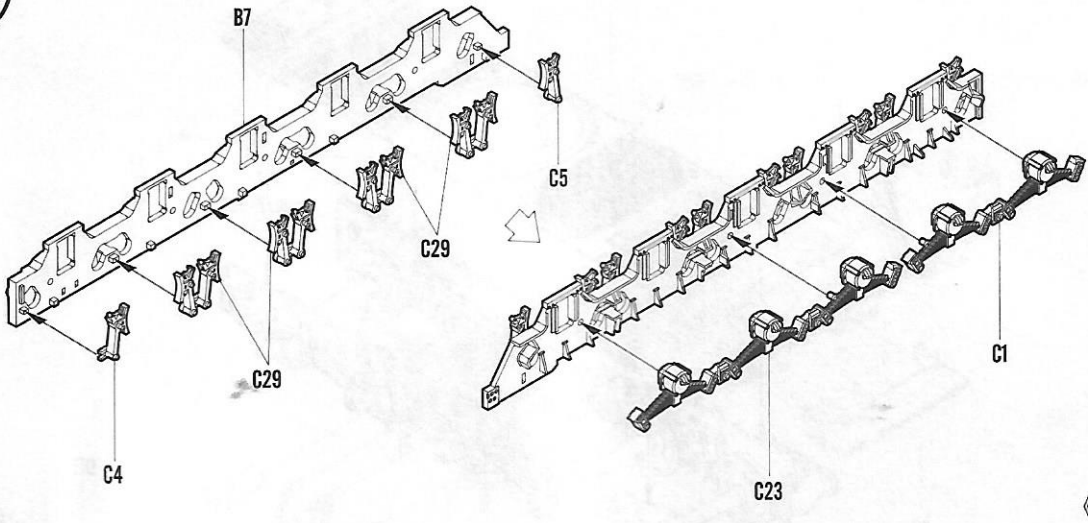


15
STEP

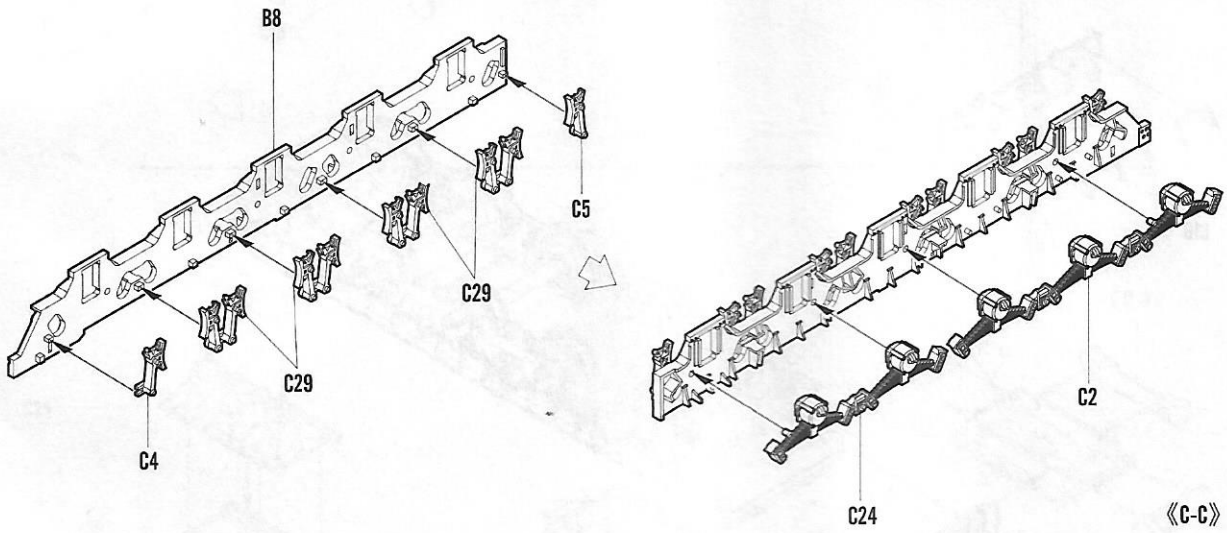


✘
不涂胶水
No cement

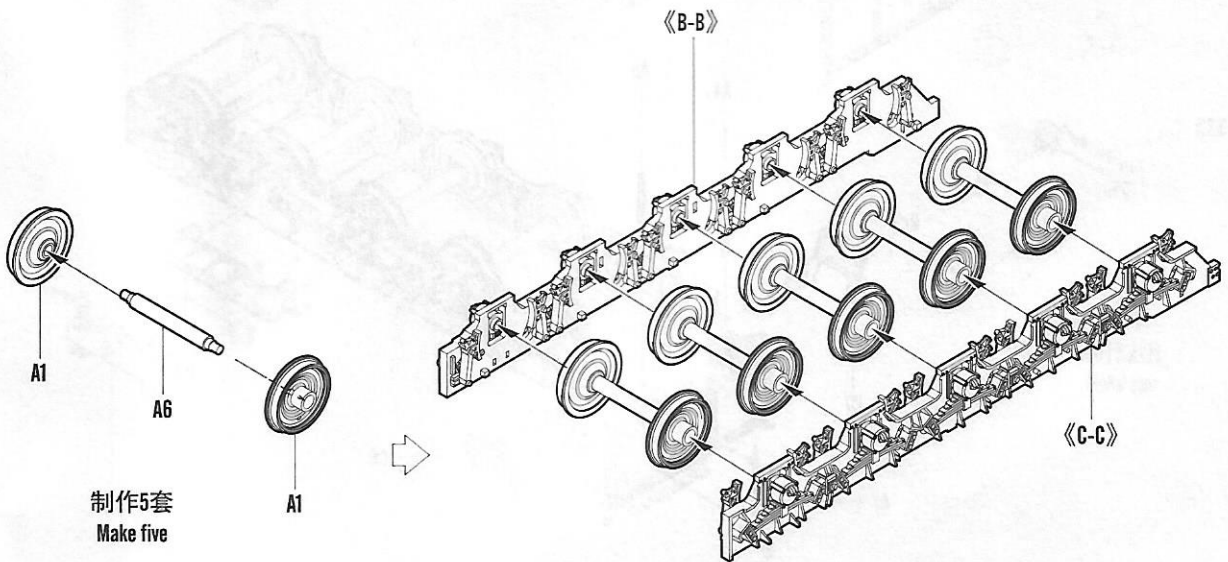




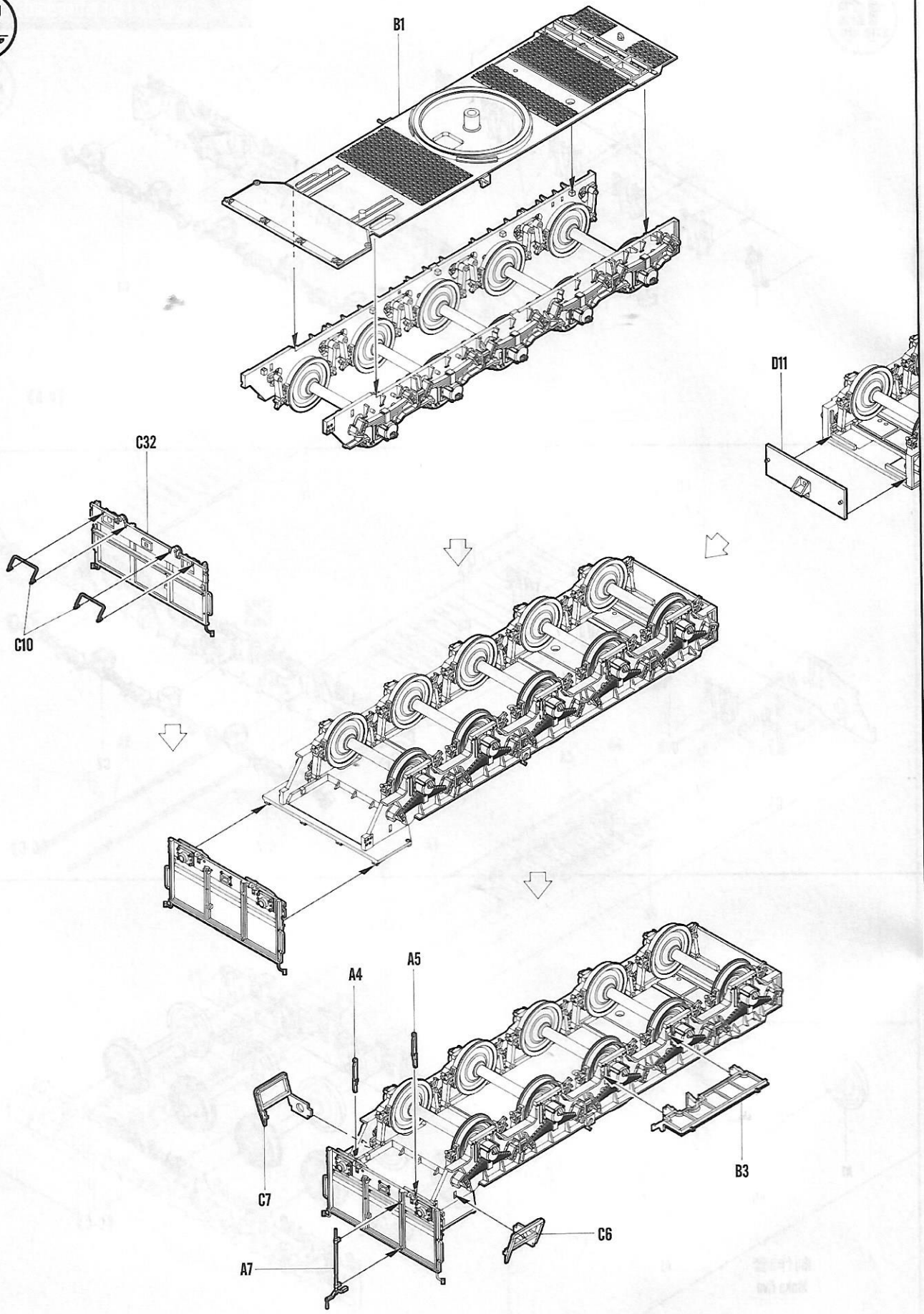
《B-B》

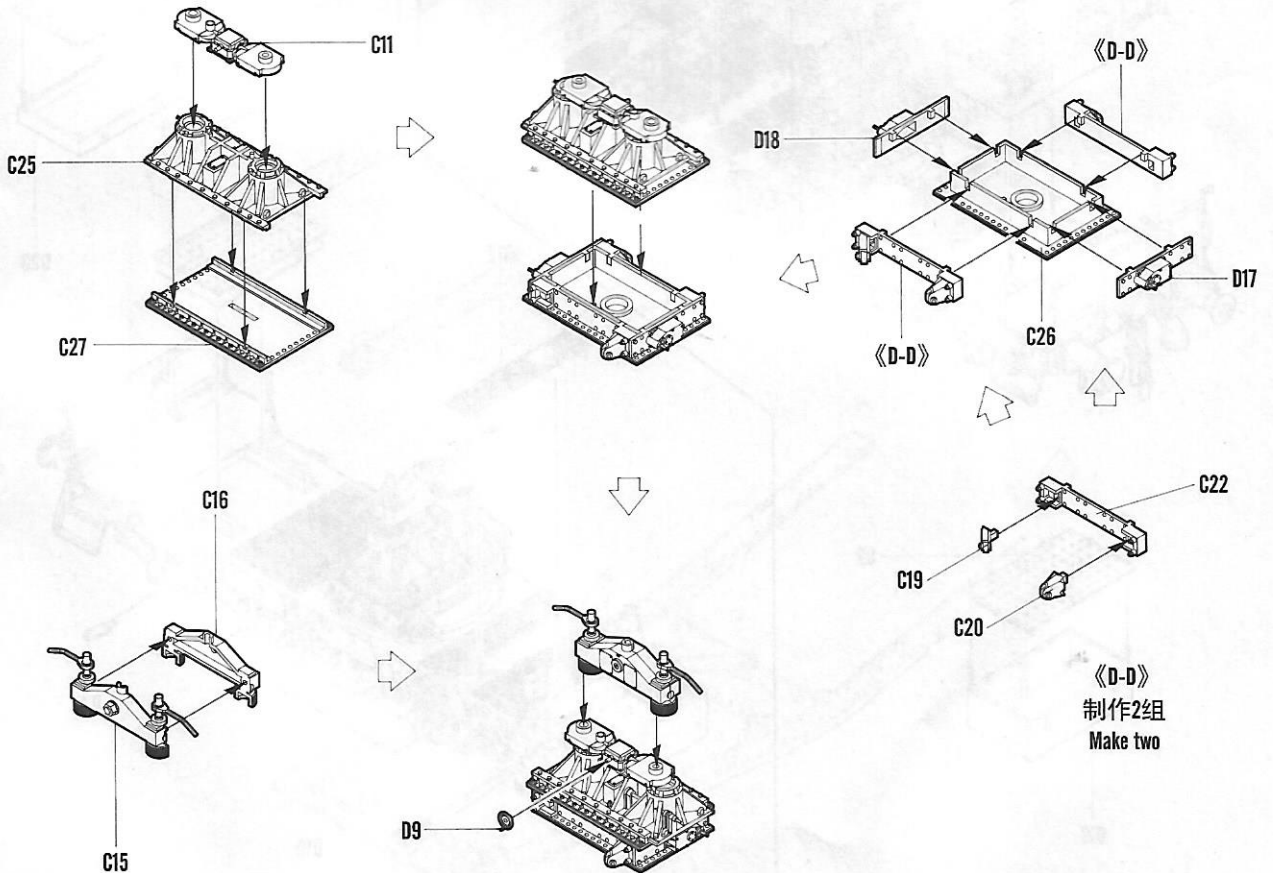
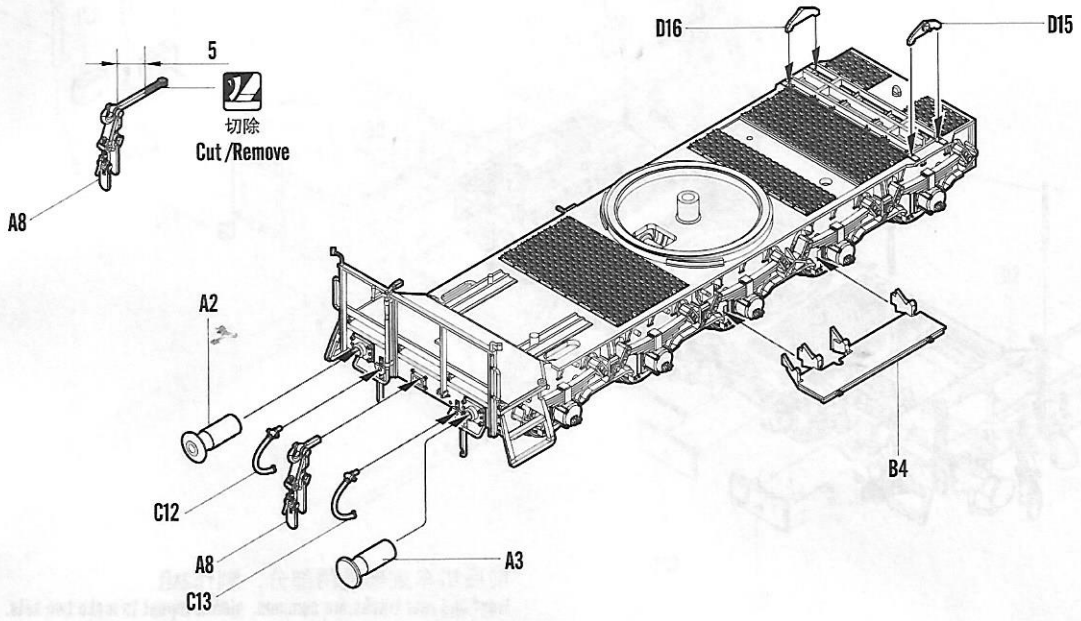


《C-C》

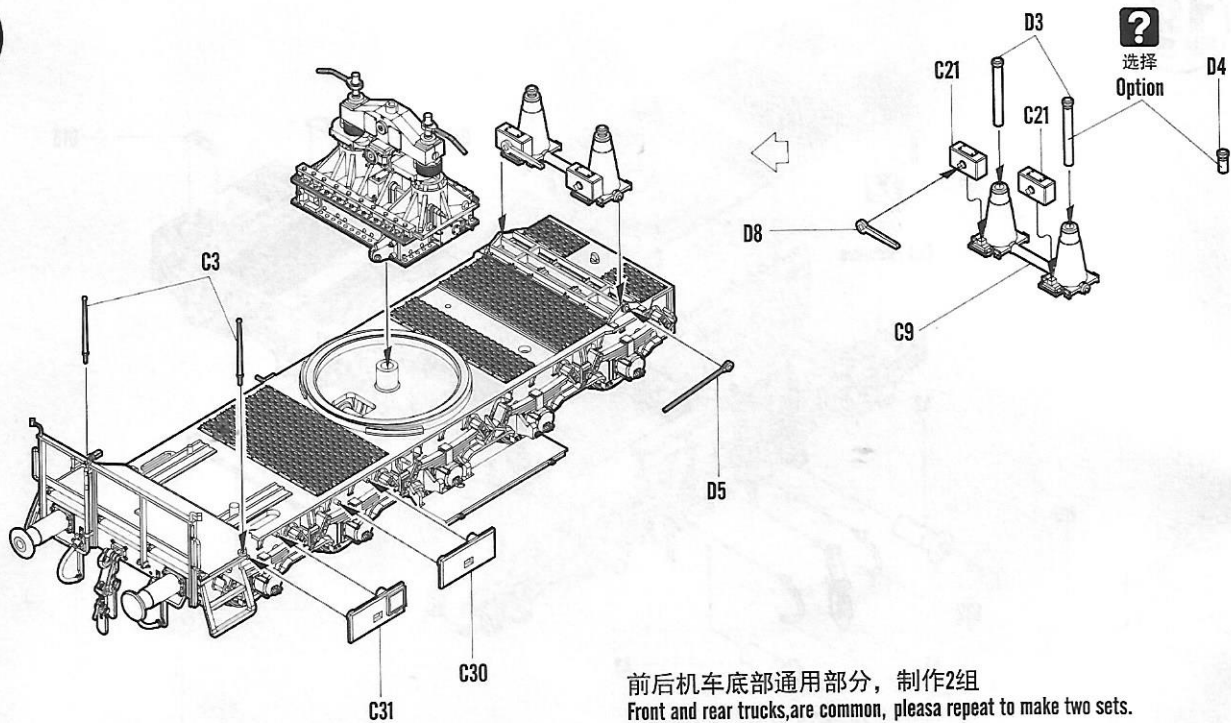


17
STEP



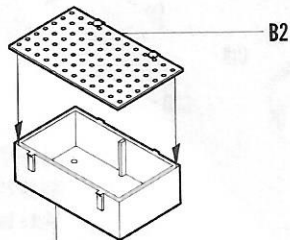
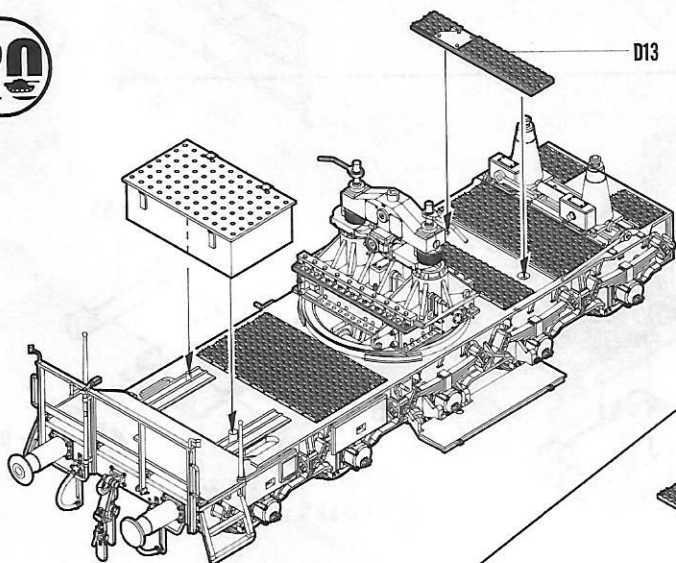


10
STEP



前后机车底部通用部分，制作2组
Front and rear trucks, are common, please repeat to make two sets.

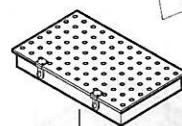
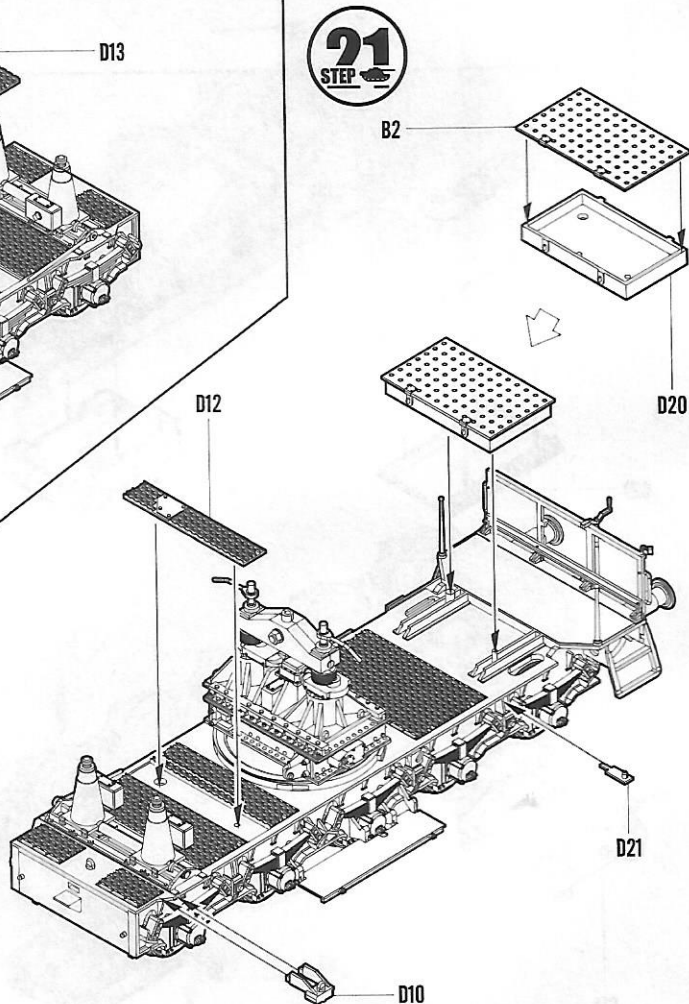
20
STEP



D19

《E-E》

21
STEP

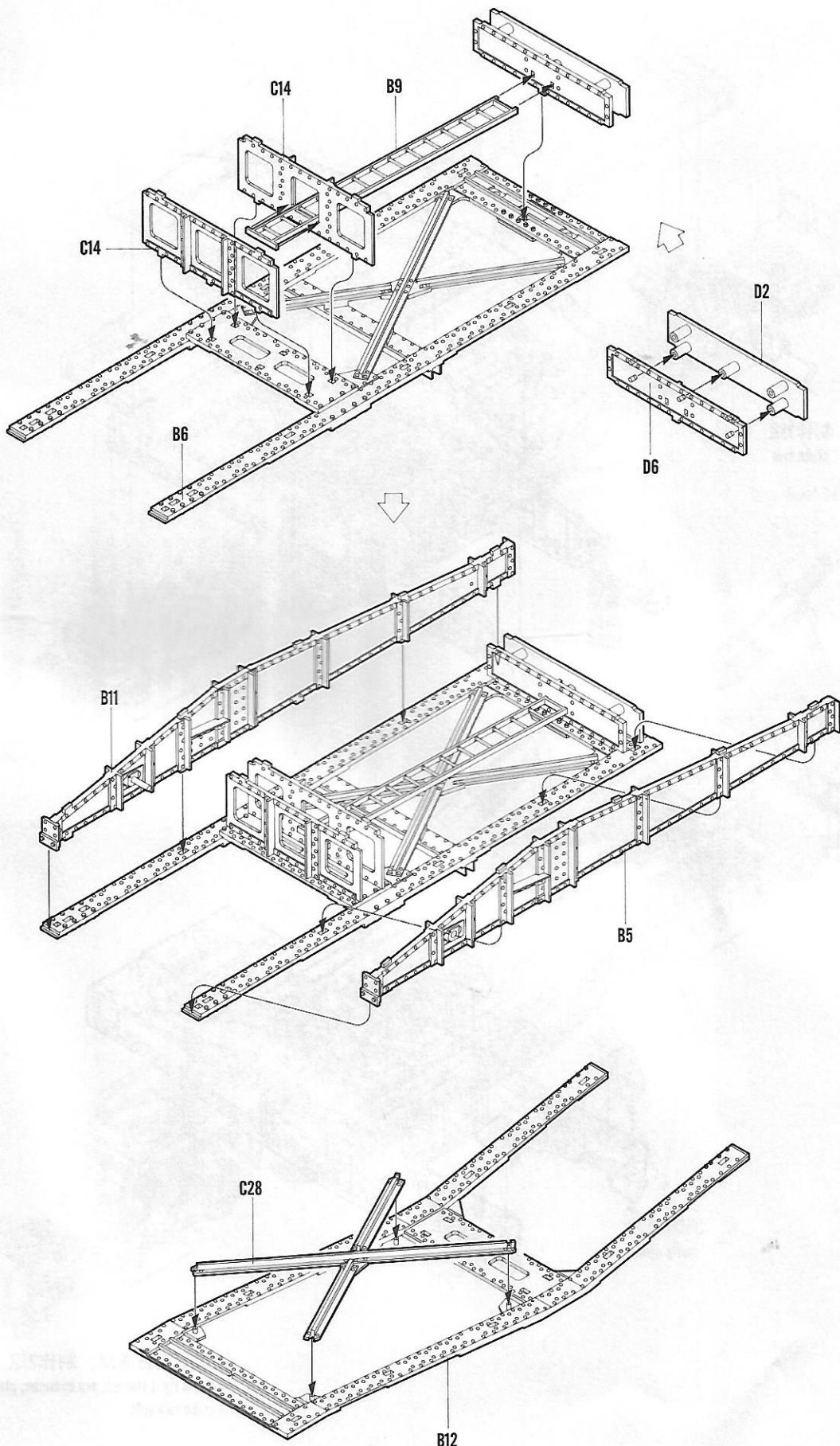


D20

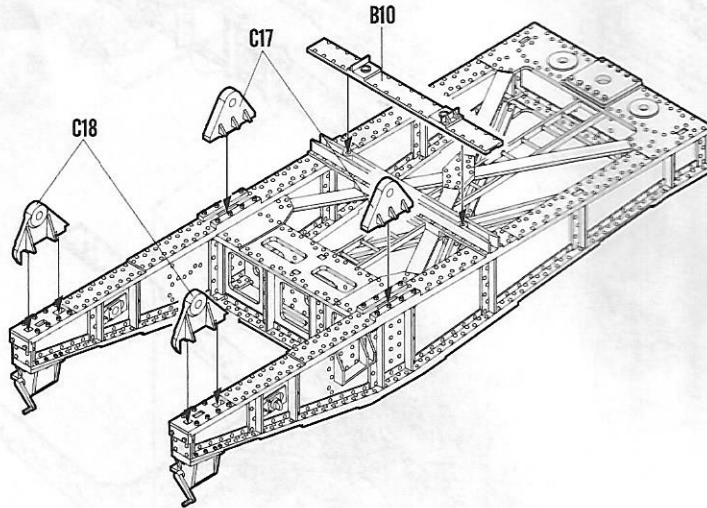
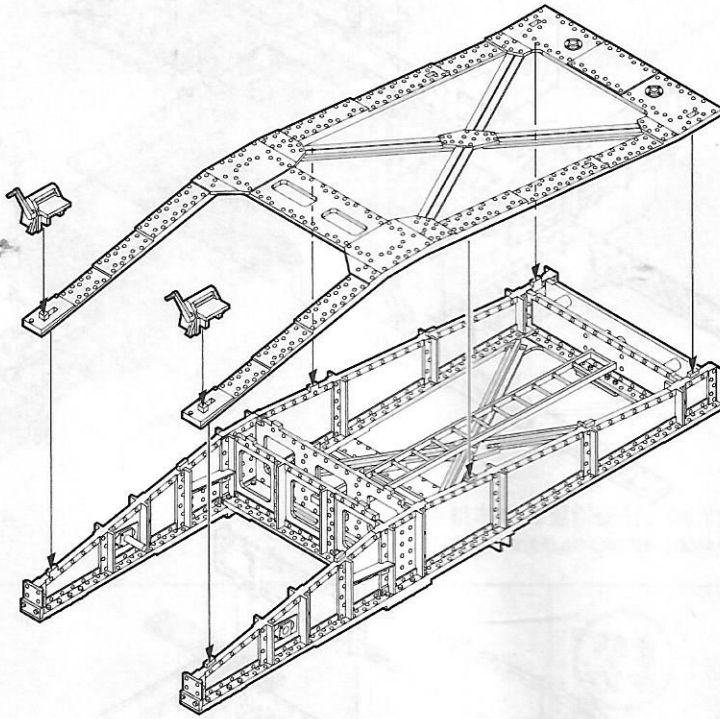
D21

D10

《F-F》



C8
D14
制作2组
Make two



起重架左右通用，制作2组
Left and right frames, are common, please repeat
to make two sets.

