

# Avro Vulcan B.MK2

## 英国“火神”战略轰炸机

### READ BEFORE ASSEMBLY:

- Study and understand these instructions thoroughly before beginning assembly
- When needed, remove photo-etch parts carefully using a modeling knife or photo etch sprue cutter, being careful not to damage or lose small parts.
- Take extra care in handling photo etch parts in order to avoid injury
- Apply instant cement sparingly to photo etch parts where instructed
- Tools recommended(not included in kit):Plastic and instant cements, sprue cutters,long nose pliers,modeling knife, small files, tweezers, pin vise & scissors. Soft cloth and sandpaper will also assist in construction
- Glue and paint are not included in the kit. Use plastic cement and hobby paints only. Color guide for purchasing paint is included in the kit.

### 装配之前仔细阅读

- 小心用模型锉刀锉平所有零件表面的注射浇口。
- 小心用刀片切下蚀刻片零件，不要遗失小零件。
- 用强力快干胶水粘合蚀刻片零件和金属轴。过量快干胶水使用可能导致可动零件会粘住，小心涂胶。
- 取蚀刻片时应特别注意安全，防止利边划伤手指。
- 某些零件表面需贴水上贴纸，请选择在装配的同时进行。
- 推荐模型工具(自备)：胶水，水口剪刀，长咀钳，刀片，锉刀，镊子，钳，钻，剪刀，瞬间快干胶。
- 软布同砂纸同时也应该是必备工具。
- 请使用塑料胶水和油漆，模型内不含。



配重  
Weight



使用强力胶  
Cyanoacrylate glue



钻孔  
Make hole



切除  
Cut / Remove



贴纸  
Decal



锉平  
File / Sand



选择  
Option



不涂胶水  
No cement



弯曲  
Bend



先装  
Install it first

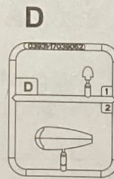
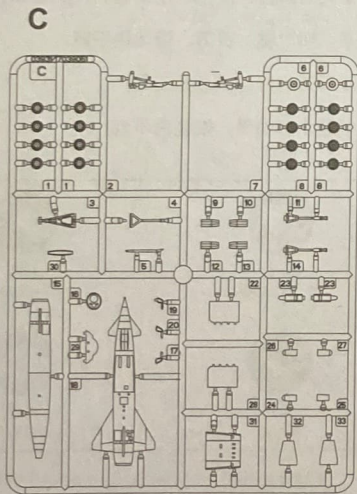
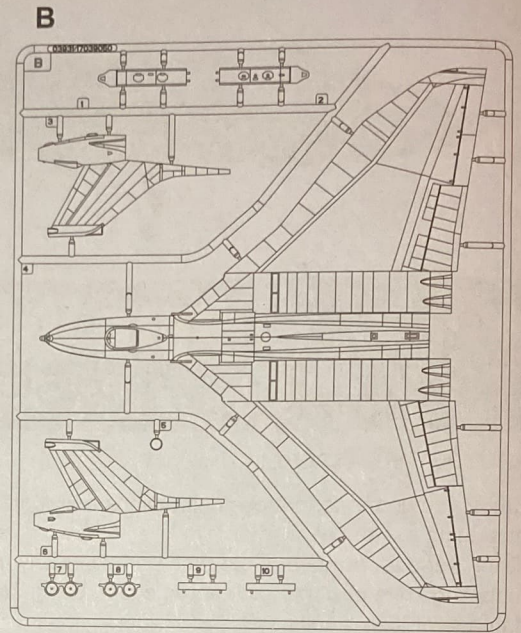
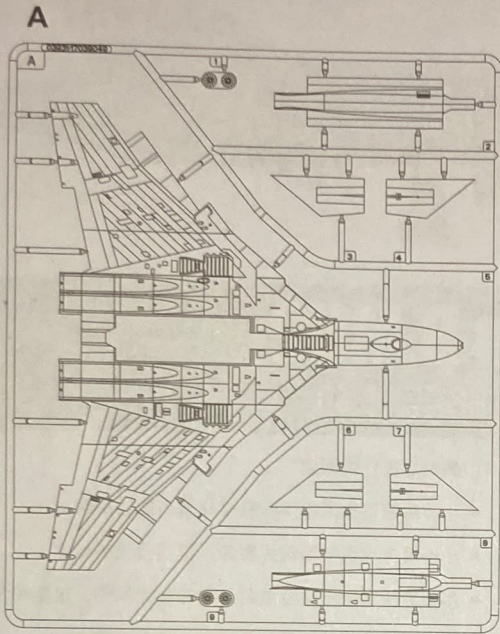
### 水贴纸的使用:

- 1.从水贴纸上剪下印花;
- 2.将印花放入温水中浸10秒,然后放在干净布上。
- 3.拿着印花纸板将印花移到模型上;
- 4.手指蘸水将印花移到适当的位置;
- 5.用软布轻压印花直至水干,汽泡消失

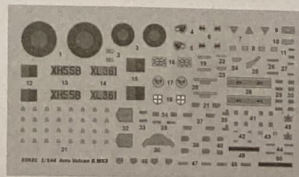
### DECAL APPLICATION

- 1.Cut decals from sheet as needed
- 2.Dip the decal in warm water for about 10 seconds and then place on soft clean cloth.
- 3.Hold the decal backing sheet edge and gently slide the decal onto the model in its proper position.
- 4.While still wet,decal can be adjusted for better fit on model by dampening it gently with your finger.
- 5.When placed in the proper position,gently press decal down with a soft cloth until excess water and air bubbles are gone.
- 6.Allow decal to dry completely before handling model

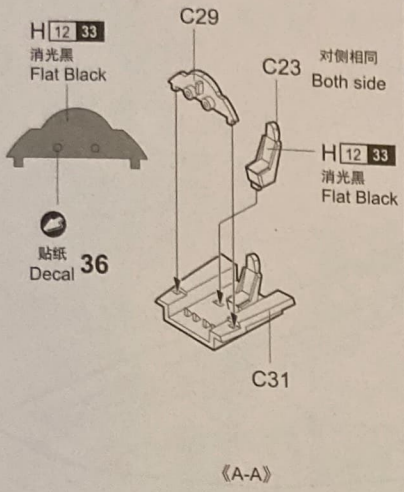
部品图  
Parts



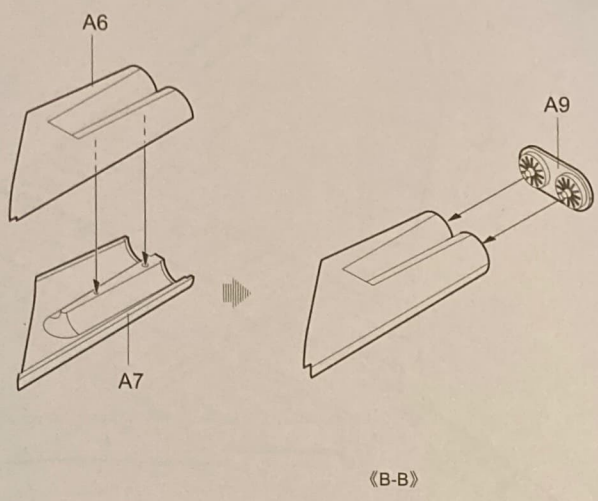
《水貼》  
Decal



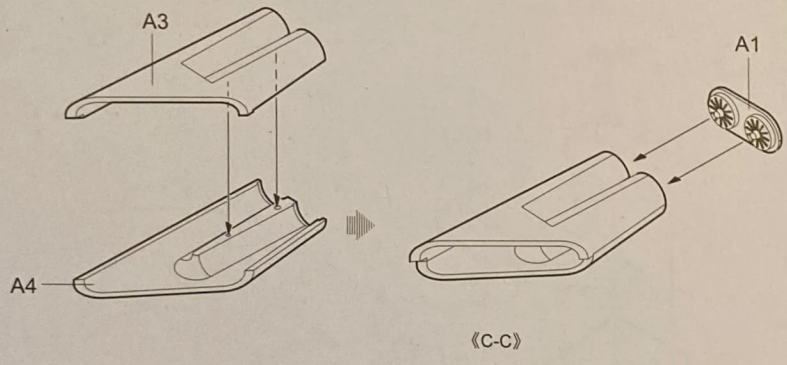
1



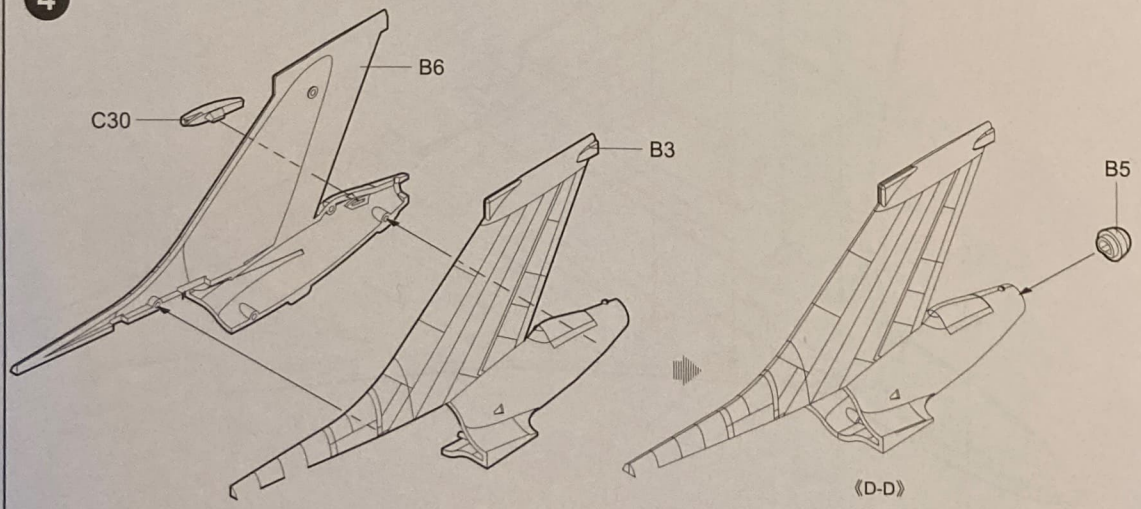
2



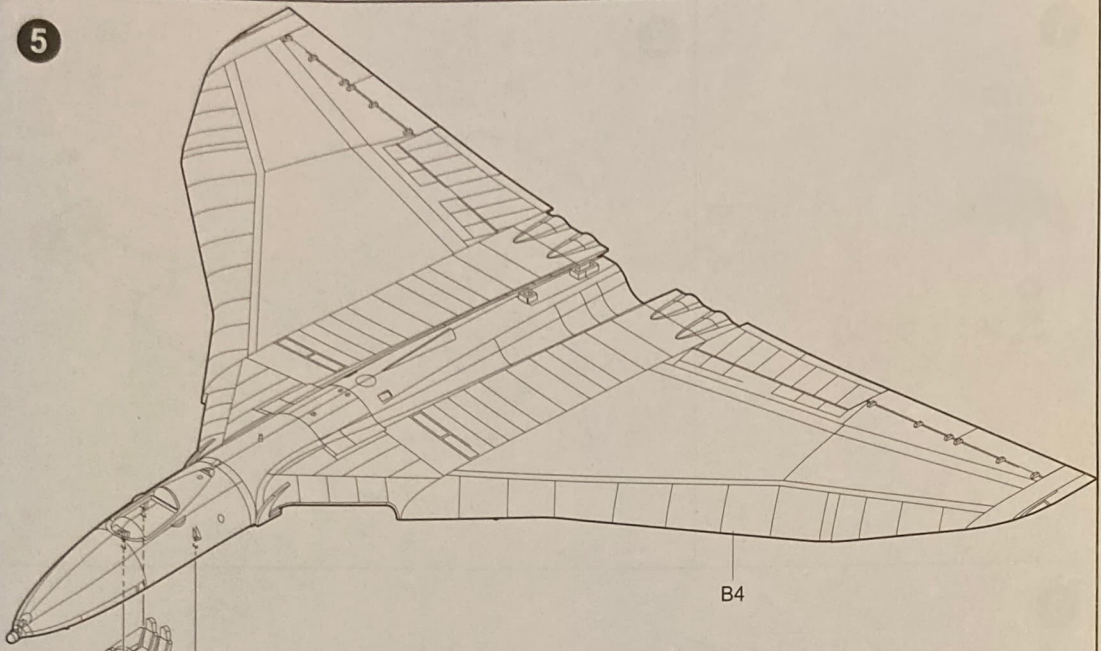
3



4



5

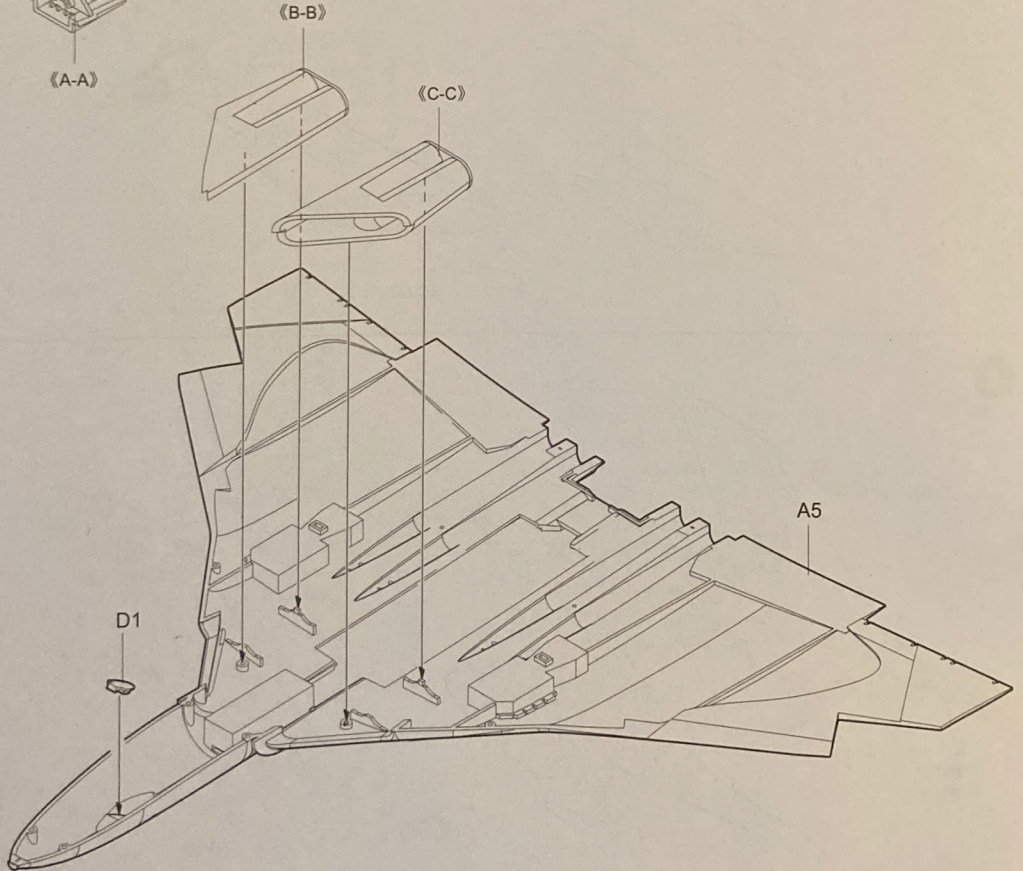


B4

《A-A》

《B-B》

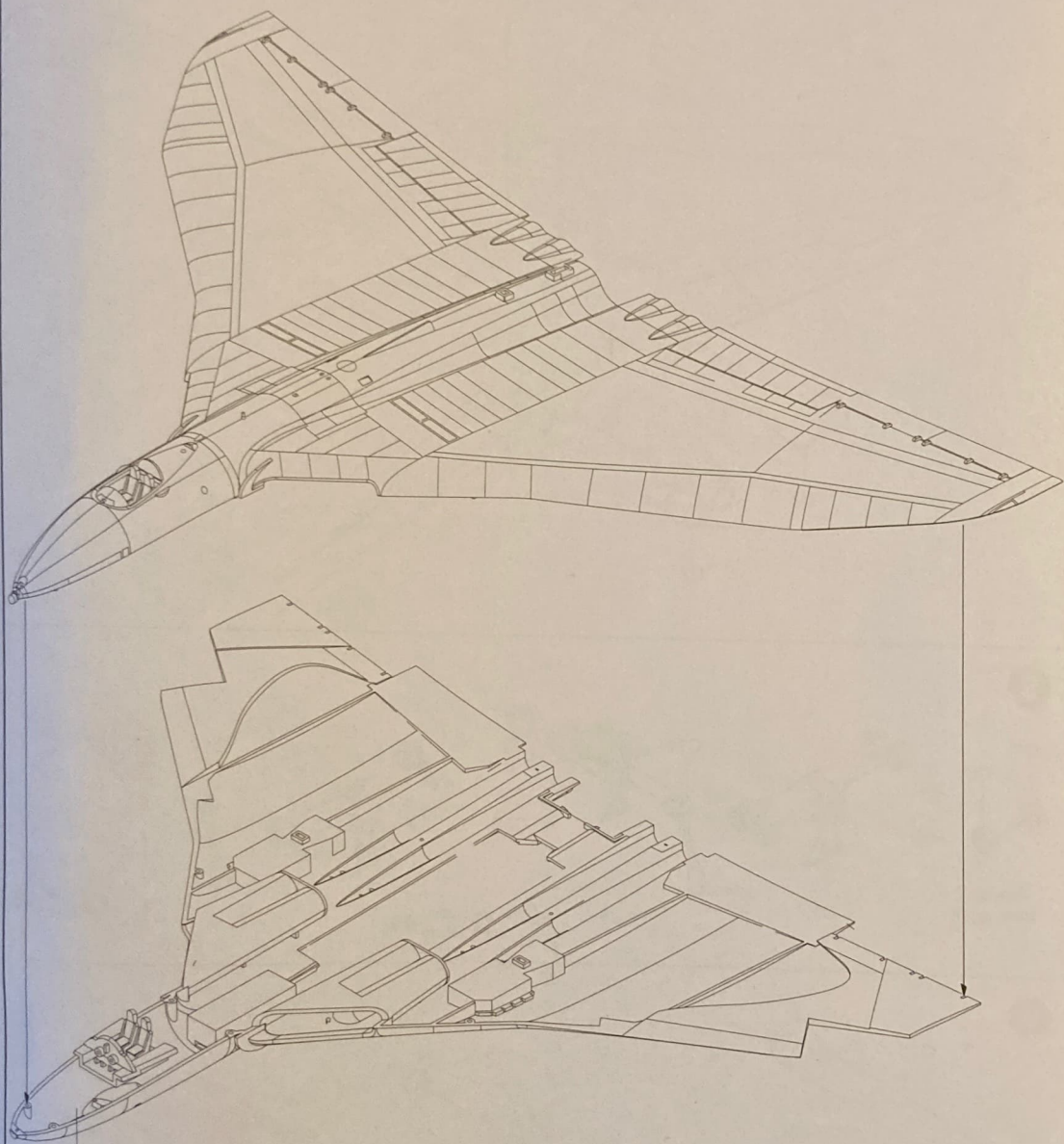
《C-C》



A5

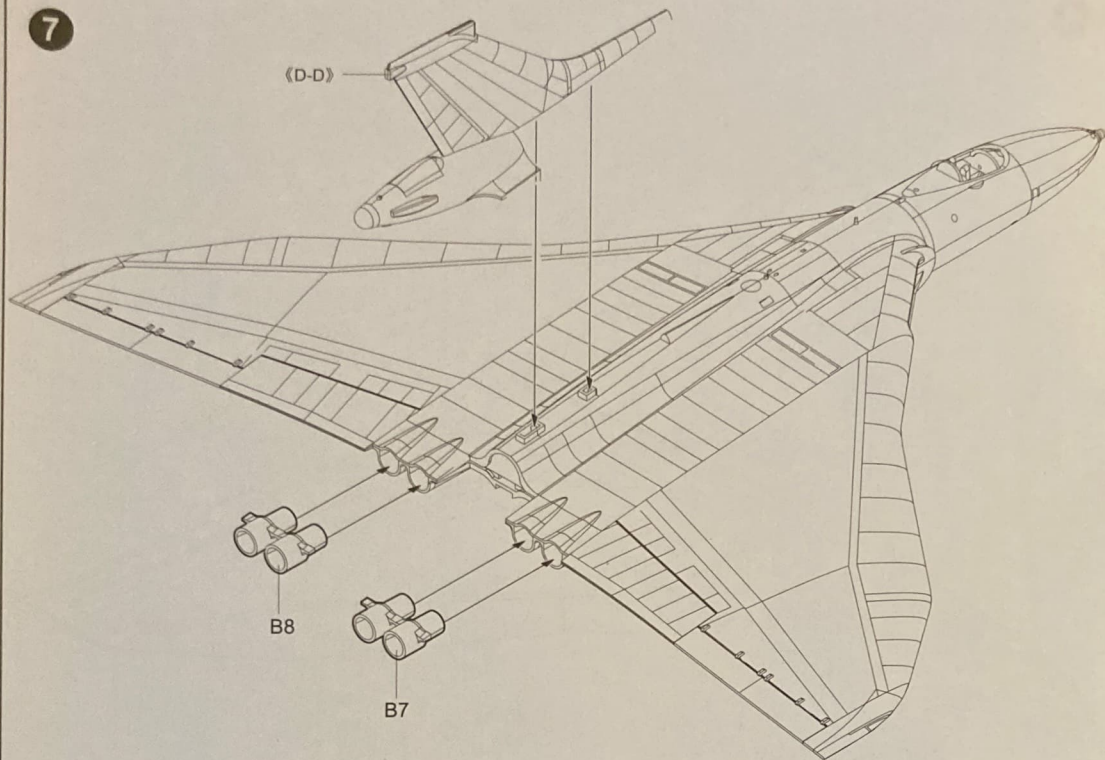
D1

6

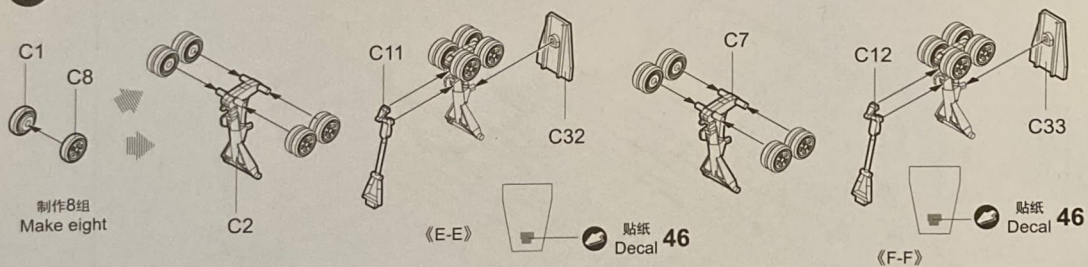


⊕  
配重約 5g  
Weight 5g

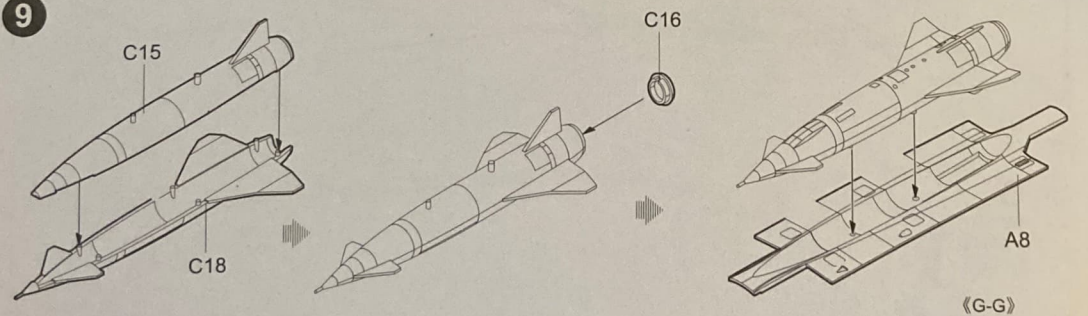
7



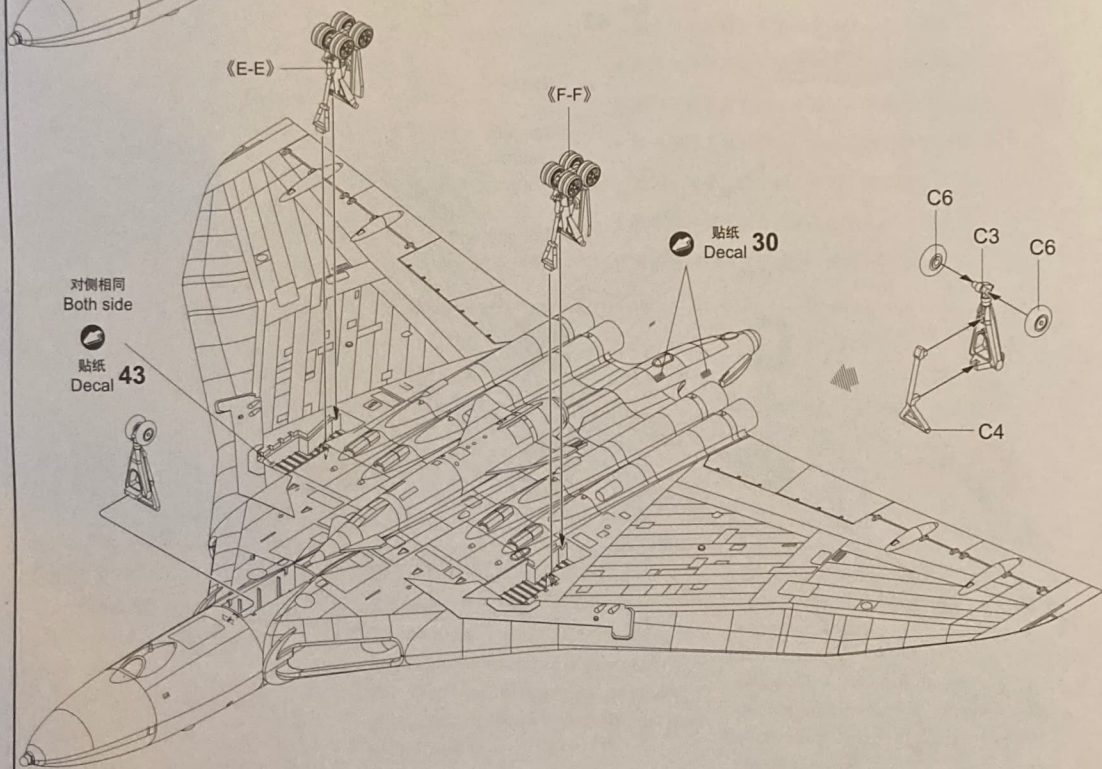
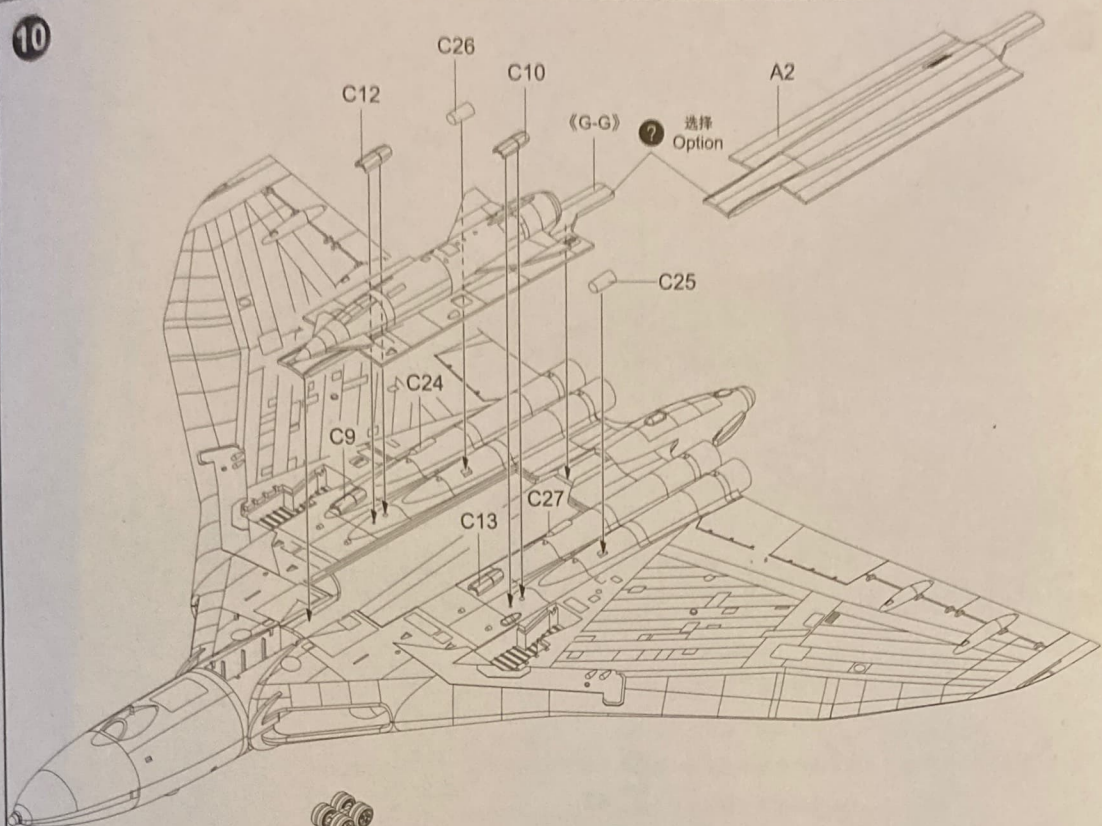
8

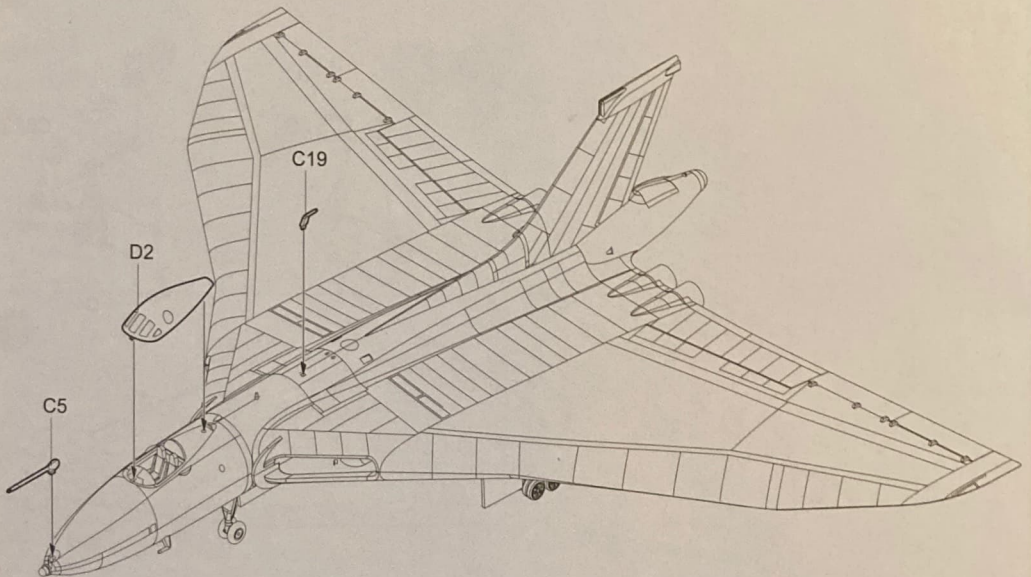
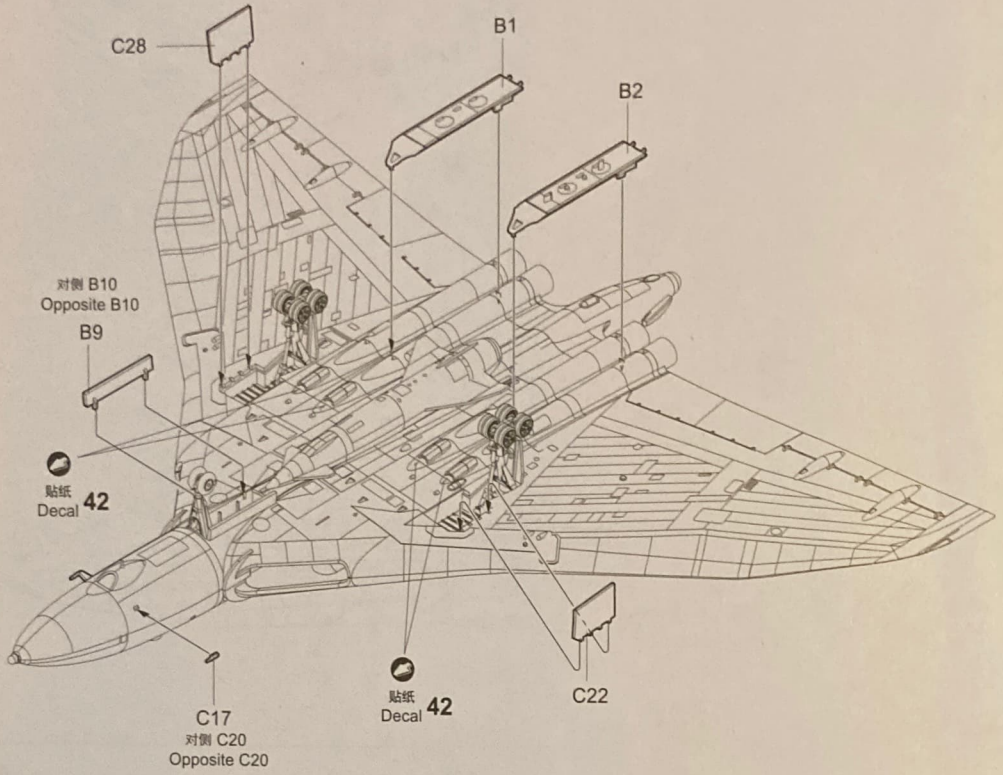


9



10







# 涂装同标贴指示 Painting & Marking guide

**A**

## PAINT-REFERENCE COLOR

| Color              | Mr.Hobby  | Acrycion | Vallejo | Model Master | Tamiya | Humbrol | Color                    | Mr.Hobby  | Acrycion | Vallejo | Model Master | Tamiya | Humbrol |
|--------------------|-----------|----------|---------|--------------|--------|---------|--------------------------|-----------|----------|---------|--------------|--------|---------|
| 深绿色<br>Light Green | H 819 310 | N 619    | —       | 1713         | —      | 117     | 消光黑<br>Flat Black        | H 128 331 | N 121    | 950     | 1749         | XF1    | 33      |
| 白色<br>White        | H 816 310 | N 616    | 991     | 1745         | X2     | 22      | 深绿色<br>Dark Green (Flat) | H 830 330 | N 630    | 892     | —            | —      | 163     |
| 黑色<br>Tire Black   | H 77 137  | N 77     | —       | —            | —      | —       | 中性灰<br>Dark Grey (Flat)  | H 638 338 | N 638    | 992     | 2727         | —      | 156     |
| 锈棕色<br>Burnt Iron  | H 76 61   | N 76     | 863     | 1795         | X10    | 53      |                          |           |          |         |              |        |         |



H □ AQUEOUS HOBBY COLOR

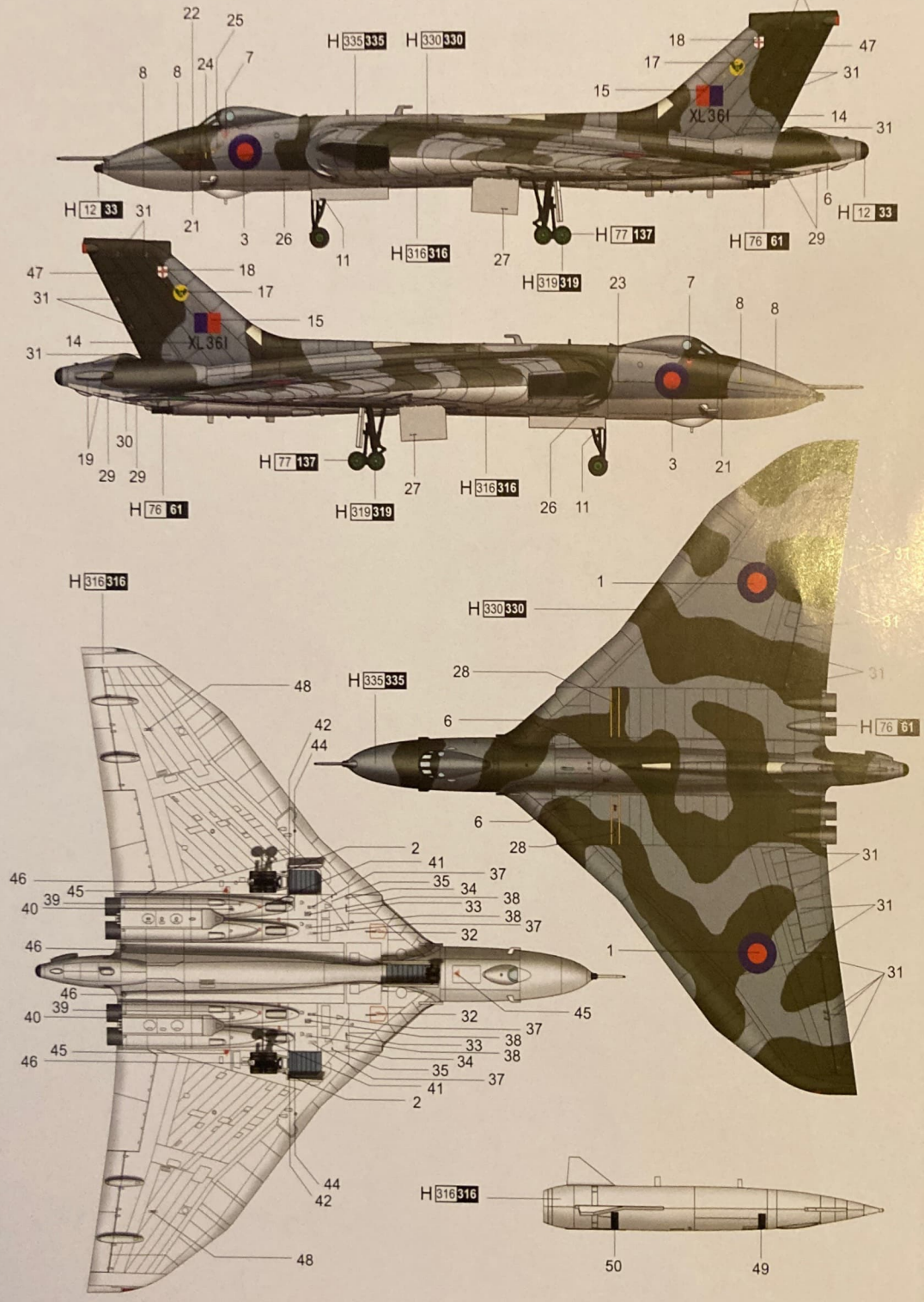
■ Mr. COLOR

N □ ACRYSION COLOR

# 涂装同标贴指示 Painting & Marking guide

**B**

| PAINT REFERENCE COLOR               |           |            |         |              |        |         | PAINT REFERENCE COLOR    |           |            |         |              |        |         |
|-------------------------------------|-----------|------------|---------|--------------|--------|---------|--------------------------|-----------|------------|---------|--------------|--------|---------|
| Color                               | Mr.Hobby  | Acrycion   | Vallejo | Model Master | Tamiya | Humbrol | Color                    | Mr.Hobby  | Acrycion   | Vallejo | Model Master | Tamiya | Humbrol |
| 浅绿色<br>Light Green                  | H[319]319 | N[219] —   | —       | 1713         | —      | 117     | 黑色<br>Flat Black         | H[77] 33  | N[22] —    | 950     | 1749         | XF1    | 33      |
| 白色<br>White                         | H[316]316 | N[216] 991 | 1745    | X2           | 22     | —       | 深绿色<br>Dark Green (flat) | H[330]330 | N[230] 892 | —       | —            | —      | 163     |
| 黑色<br>The Black<br>油毡<br>Burnt Iron | H[77] 137 | N[77] —    | —       | —            | —      | —       | 半铁灰<br>Semi Iron Grey    | H[335]335 | N[235] 992 | 2727    | —            | —      | 156     |
|                                     | H[76] 61  | N[76] 863  | 1795    | X10          | 53     |         |                          |           |            |         |              |        |         |



H[ ] AQUEOUS HOBBY COLOR    ■ Mr. COLOR    N[ ] ACRYSION COLOR