

# Mig-23BN Flogger H

## Mig-23BN “鞭挞者H” 战斗轰炸机

### READ BEFORE ASSEMBLY:

- This kit is not recommended for inexperienced modelers or for children under 14 years of age
- Study and understand these instructions thoroughly before beginning assembly
- When needed, remove photo-etch parts carefully using a modeling knife or photo etch sprue cutter, being careful not to damage or lose small parts.
- Take extra care in handling photo etch parts in order to avoid injury
- Apply instant cement sparingly to photo etch parts where instructed

- Tools recommended(not included in kit):Plastic and instant cements,sprue cutters,long nose pliers,modeling knife, small files, tweezers, pin vise & scissors. Soft cloth and sandpaper will also assist in construction
- Glue and paint are not included in the kit. Use plastic cement and hobby paints only. Color guide for purchasing paint is included in the kit.
- Keep out of reach of children. They must not be allowed to ingest small parts or handle plastic bags in any way.

### 装配之前仔细阅读

- 小心用模型锉刀锉平所有零件表面的注射浇口。
- 小心用刀片切下蚀刻片零件，不要遗失小零件。
- 用强力快干胶水粘合蚀刻片零件和金属轴。过量的快干胶水使用可能导致可动零件会粘住，小心涂胶。
- 取蚀刻片时应特别注意安全，防止利边划伤手指。
- 某些零件表面需贴水贴纸，请选择在装配的同时进行。
- 推荐模型工具(自备)：胶水，水口剪刀，长咀钳，刀片，锉刀，镊子钳，钻，剪刀，瞬间快干胶。
- 软布同砂纸同时也应该是必备工具。
- 请使用塑料胶水和油漆，模型内不含。
- 谨防小孩吮吸塑料零件，或者将塑料袋套在头上，制作时应将套材远离小孩接触。
- 本产品不适合14岁以下没有经验的模型爱好者。

### 水贴纸的使用:

1. 从水贴纸上剪下印花;
2. 将印花放入温水中浸10秒, 然后放在干净布上。
3. 拿着印花纸板将印花移到模型上;
4. 手指蘸水将印花移到适当的位置;
5. 用软布轻压印花直至水干, 气泡消失。

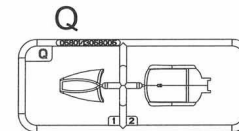
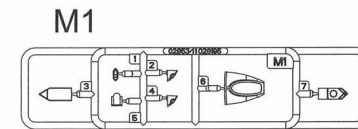
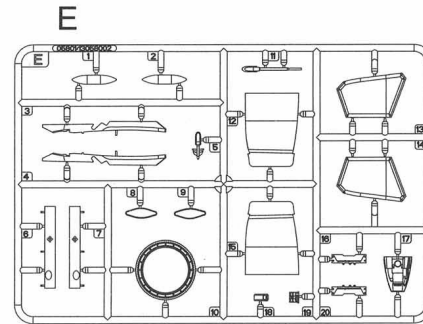
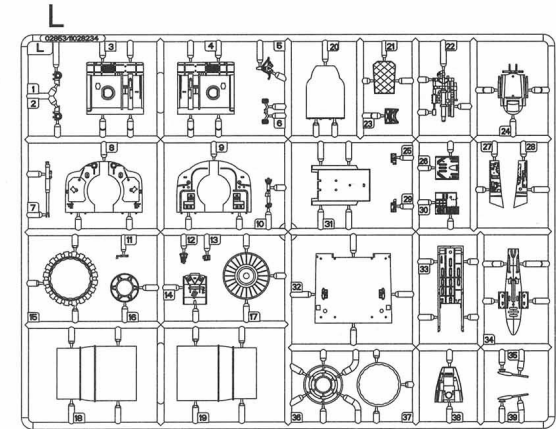
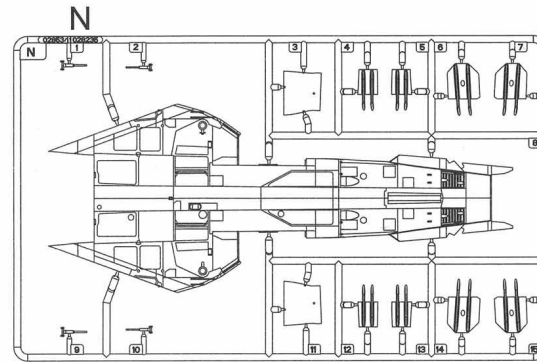
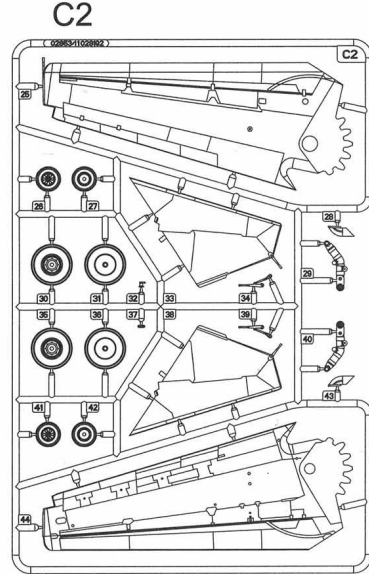
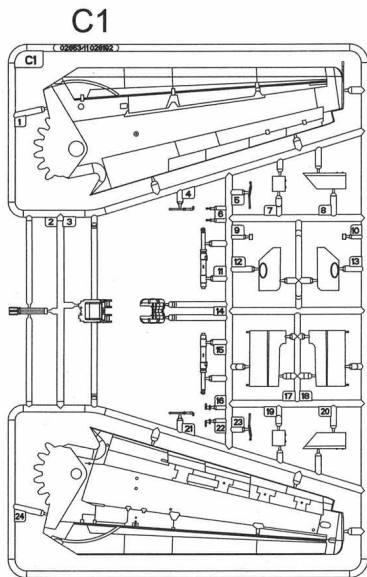
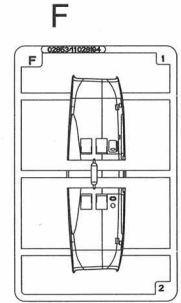
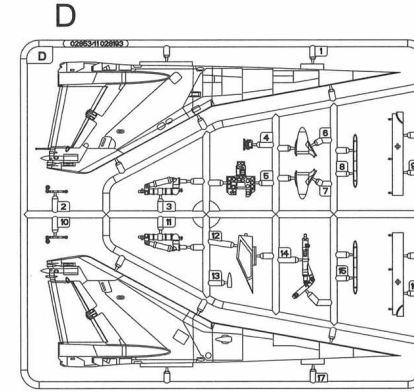
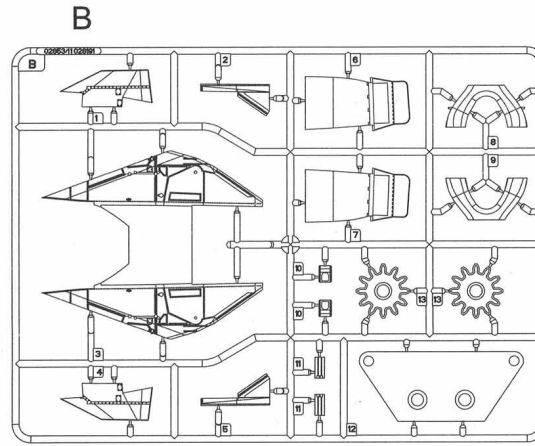
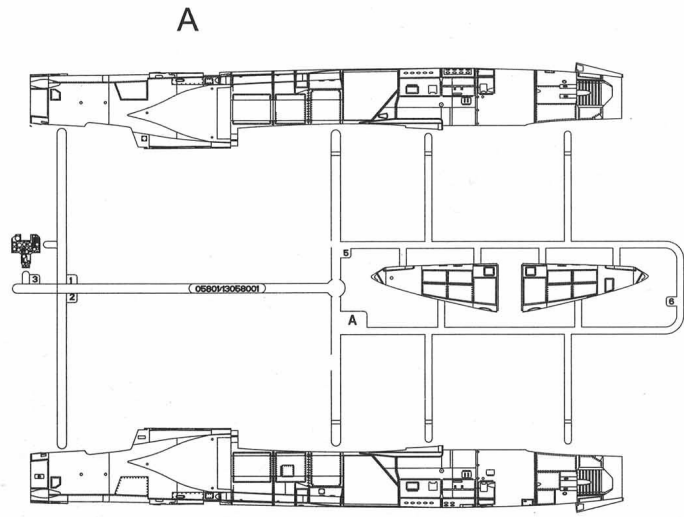
### DECAL APPLICATION:

1. Cut decals from sheet as needed
2. Dip the decal in warm water for about 10 seconds and then place on soft clean cloth.
3. Hold the decal backing sheet edge and gently slide the decal onto the model in its proper position.

4. While still wet,decal can be adjusted for better fit on model by dampening it gently with your finger.
5. When placed in the proper position,gently press decal down with a soft cloth until excess water and air bubbles are gone.
6. Allow decal to dry completely before handling model

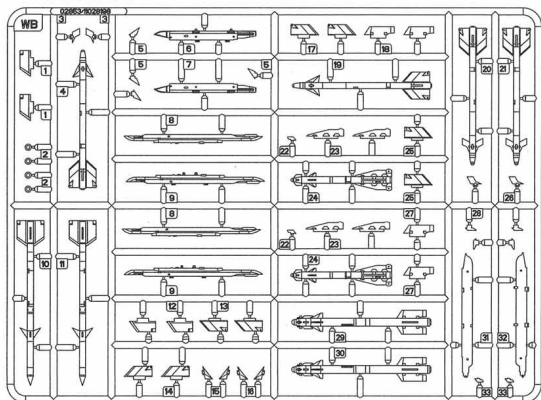


部品图  
Parts

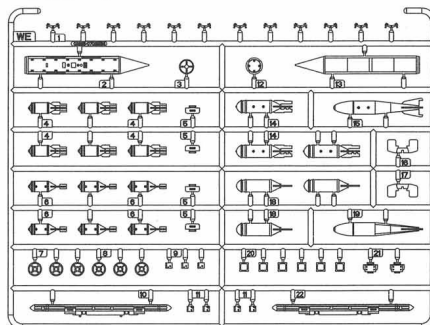


部品图  
Parts

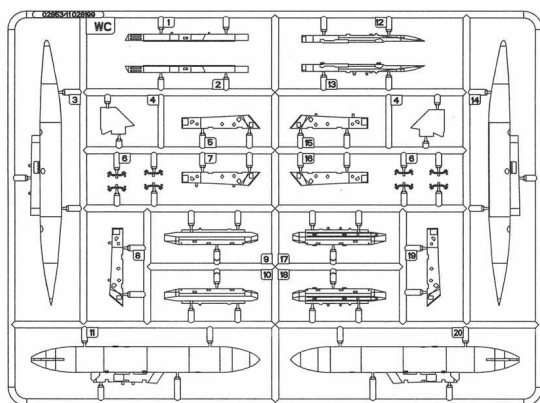
WBX2



WE×4



WCX2



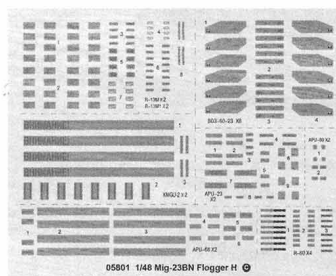
《水贴》A  
Decal A



《水贴》B  
Decal B

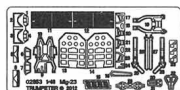


《水贴》C  
Decal C



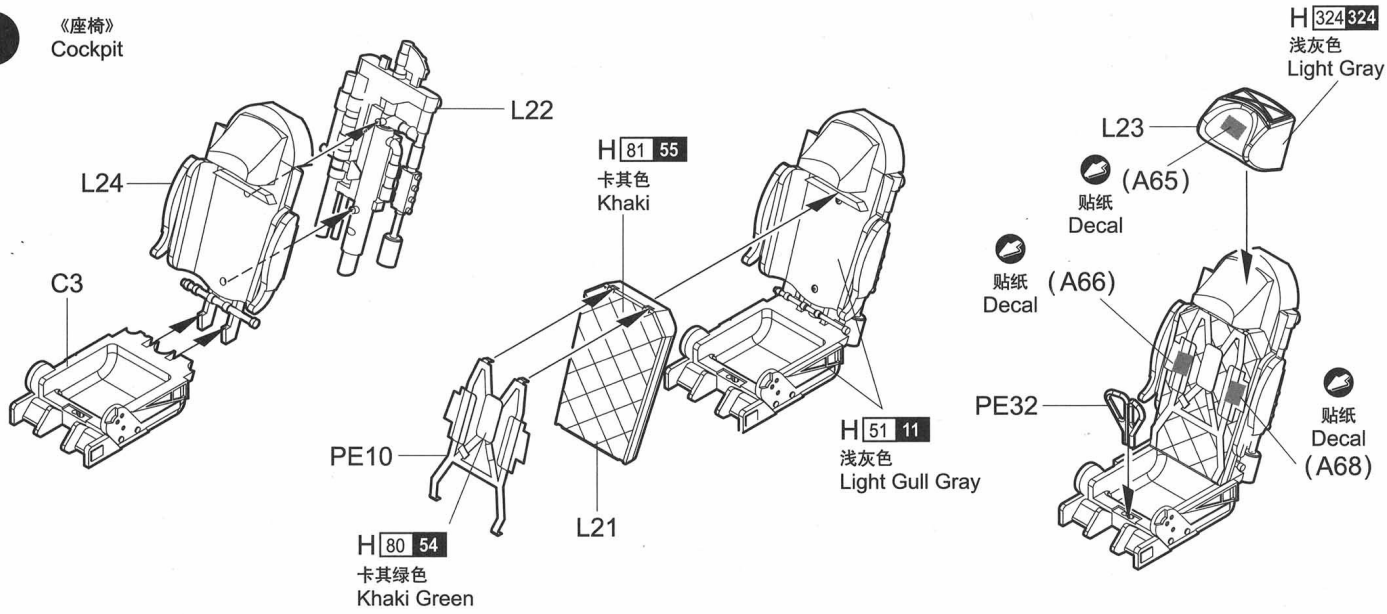
《蚀刻片》

Photo etched part(PE)

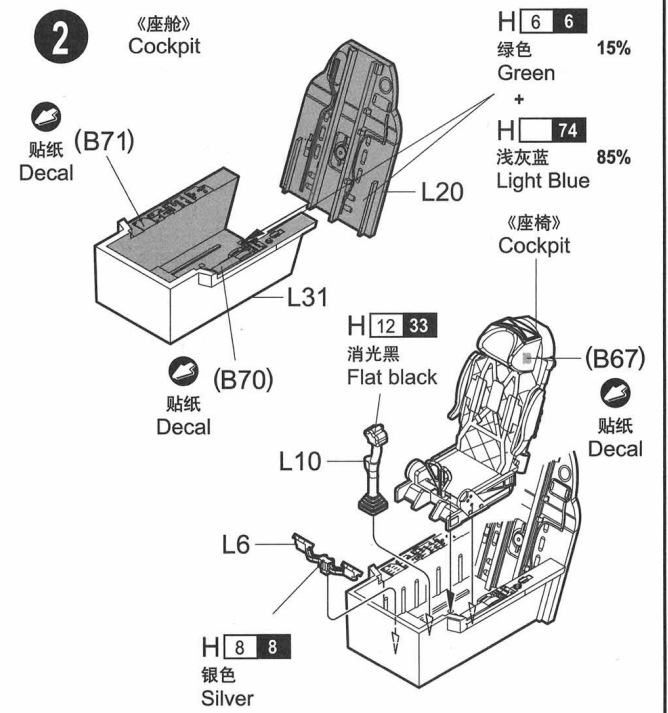


不用的部件: A4、B10、B11、C9、C10、C37、D4、D5、D9、D16、E12、E15、  
Unused parts L38、M3、M6、M7、WC1、WC2、WC12、WC13、  
WB(5、10、11、12、28、29、30、31、32) PE(19、25、26、27、28)

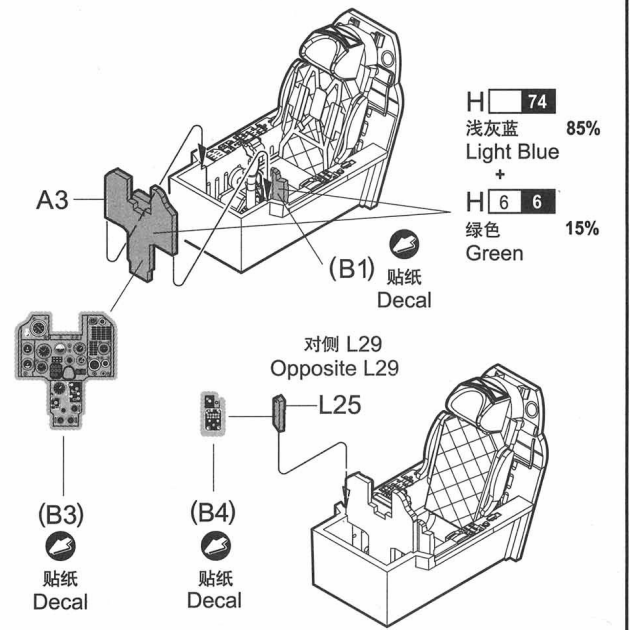
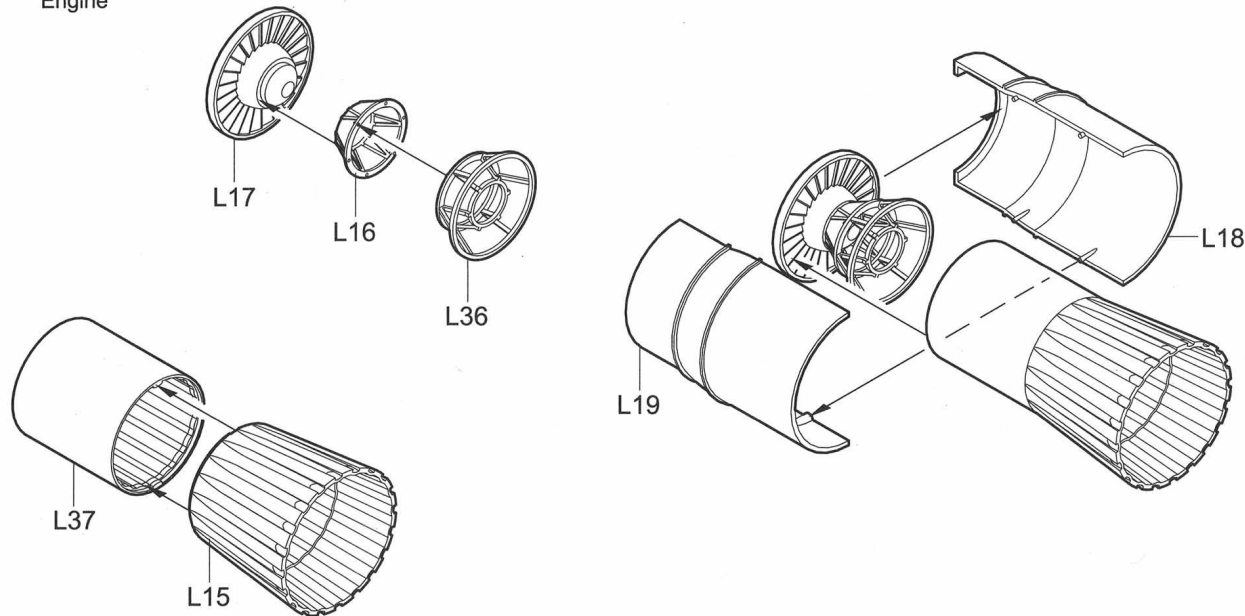
**1** 《座椅》  
Cockpit



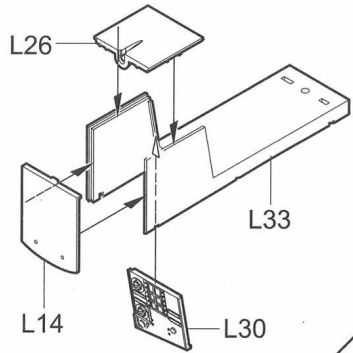
**2** 《座舱》  
Cockpit



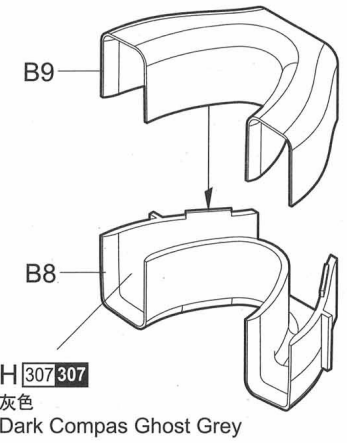
**3** 《发动机》  
Engine



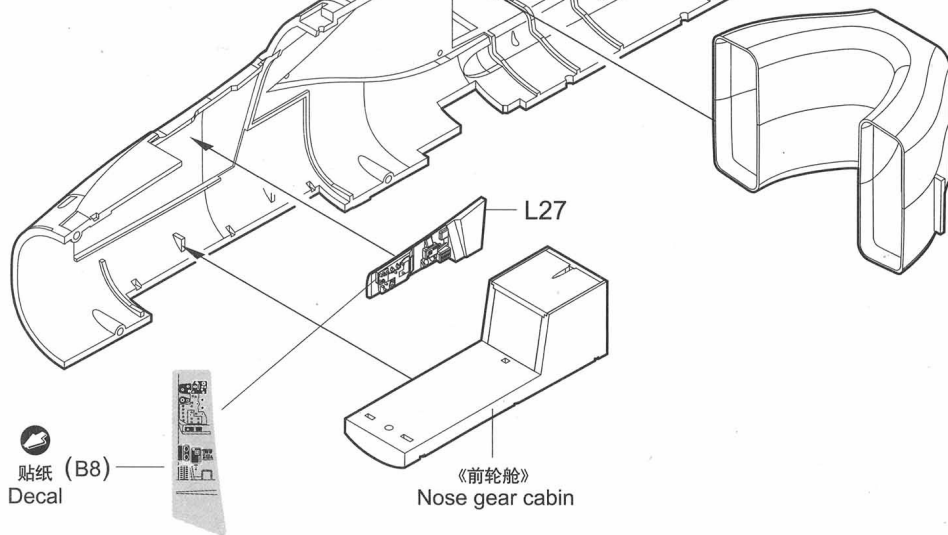
**4** 《前轮舱》  
Nose gear cabin



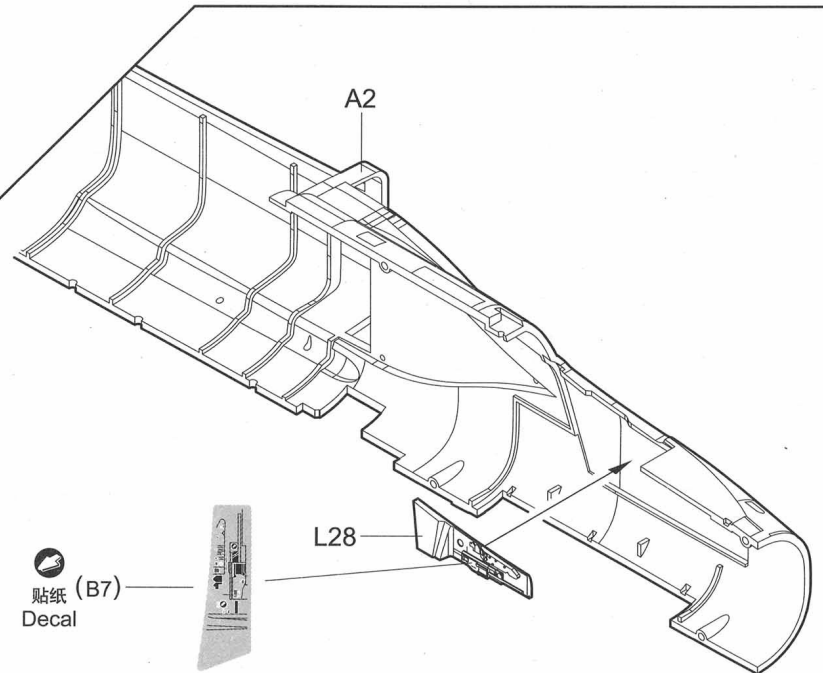
**5**



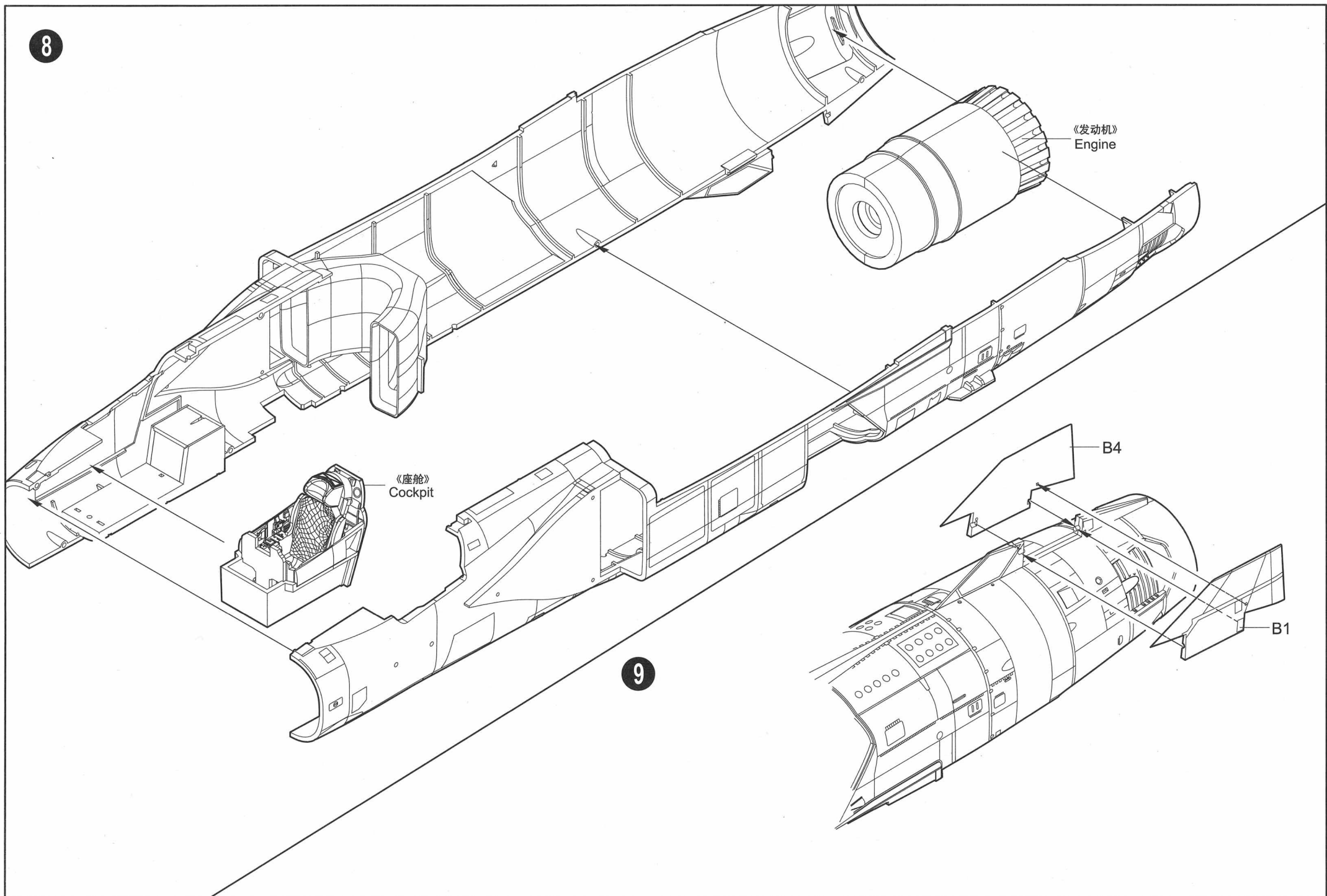
**6**



**7**



8



《发动机》  
Engine

《座舱》  
Cockpit

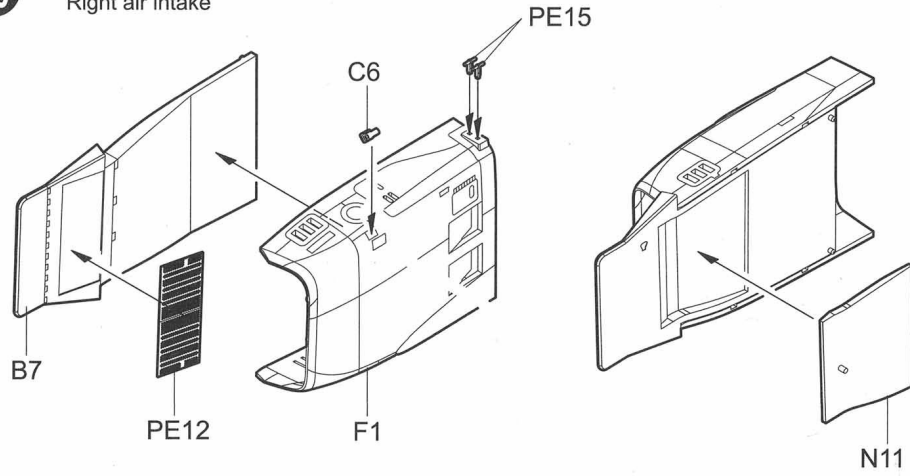
B4

B1

9

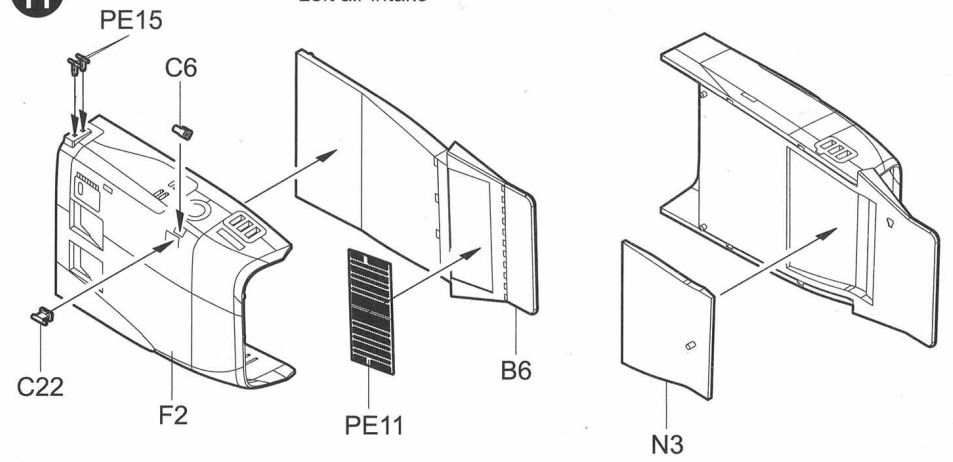
10

《右侧进气道》  
Right air intake



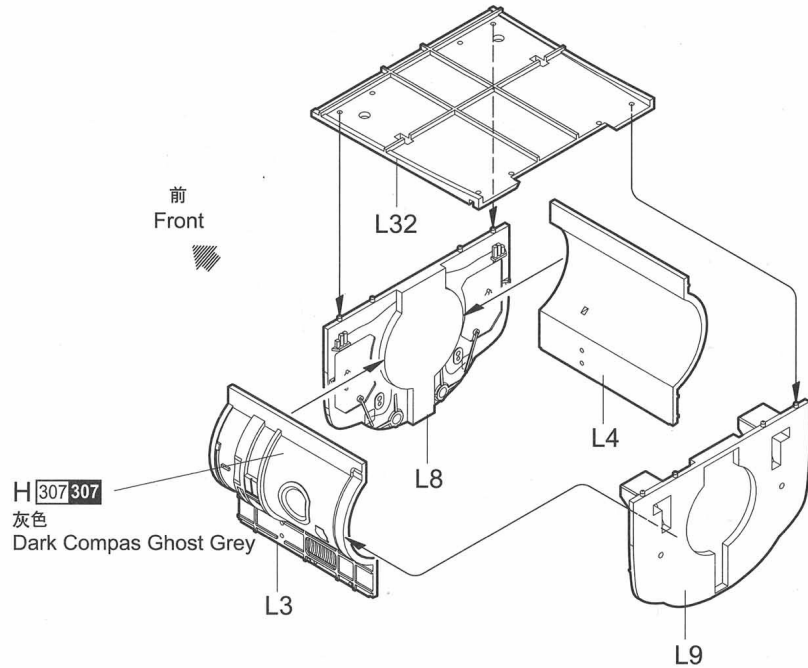
11

《左侧进气道》  
Left air intake



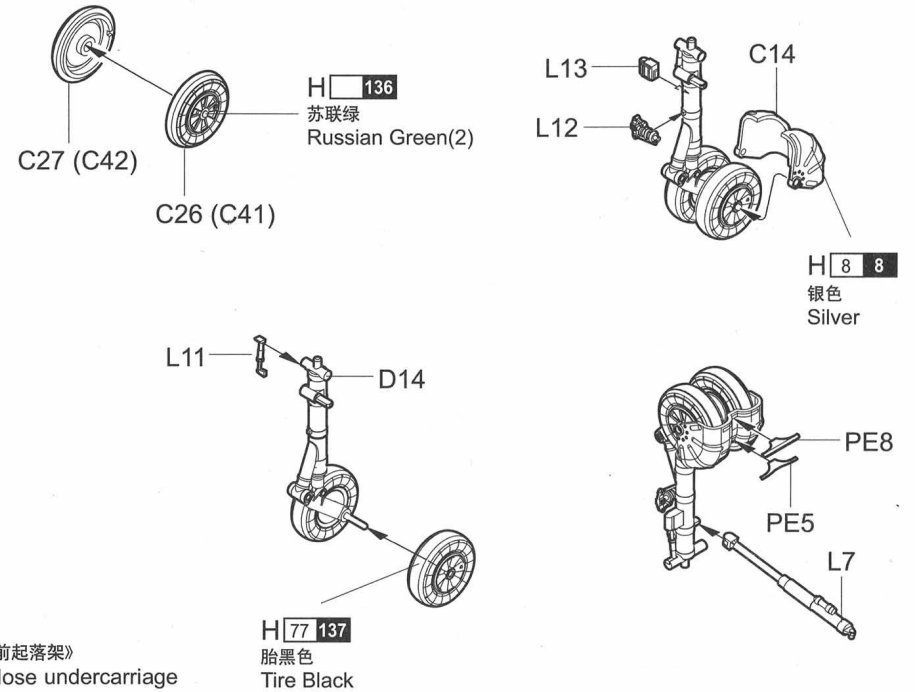
12

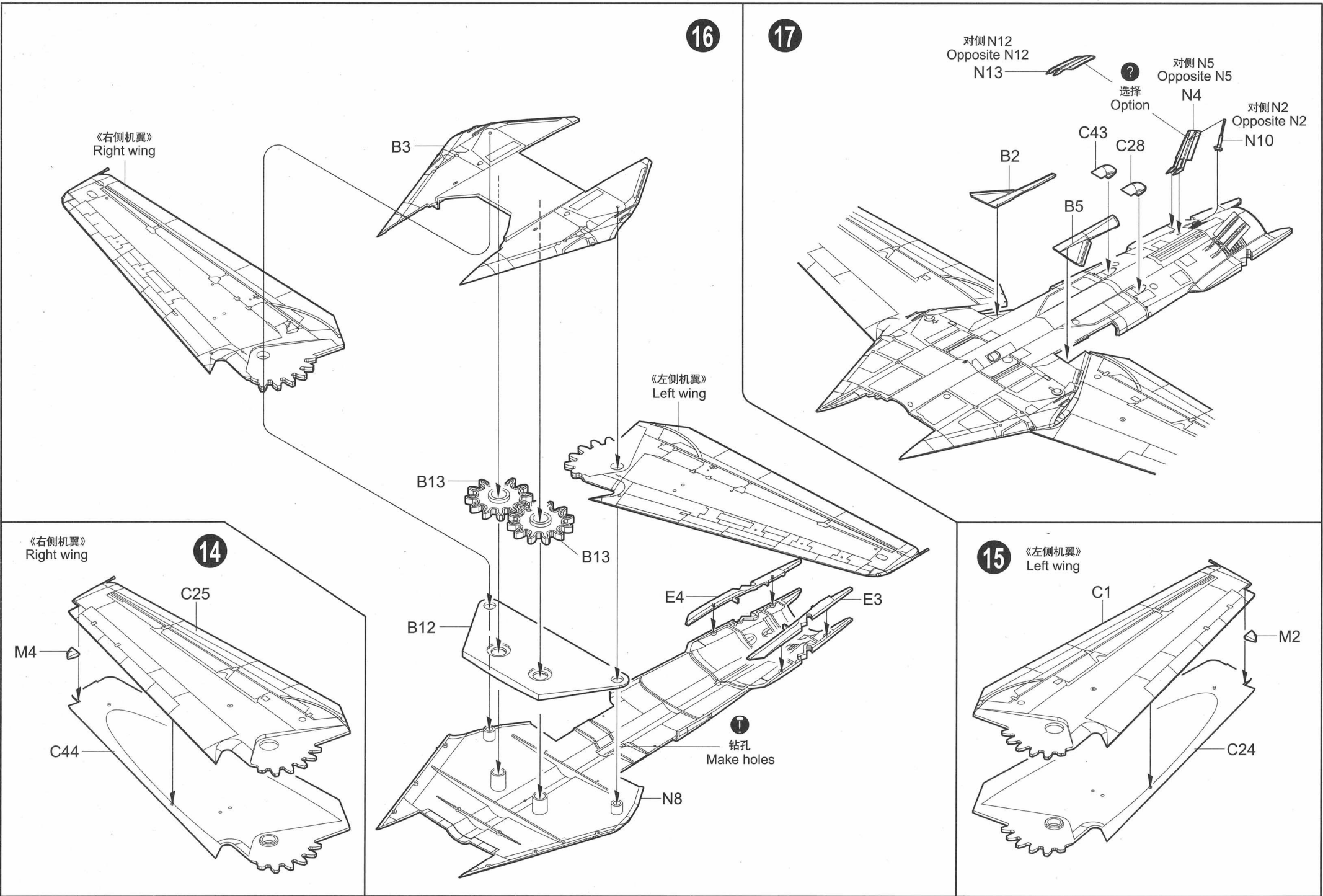
《主轮舱》  
Main gear cabin



13

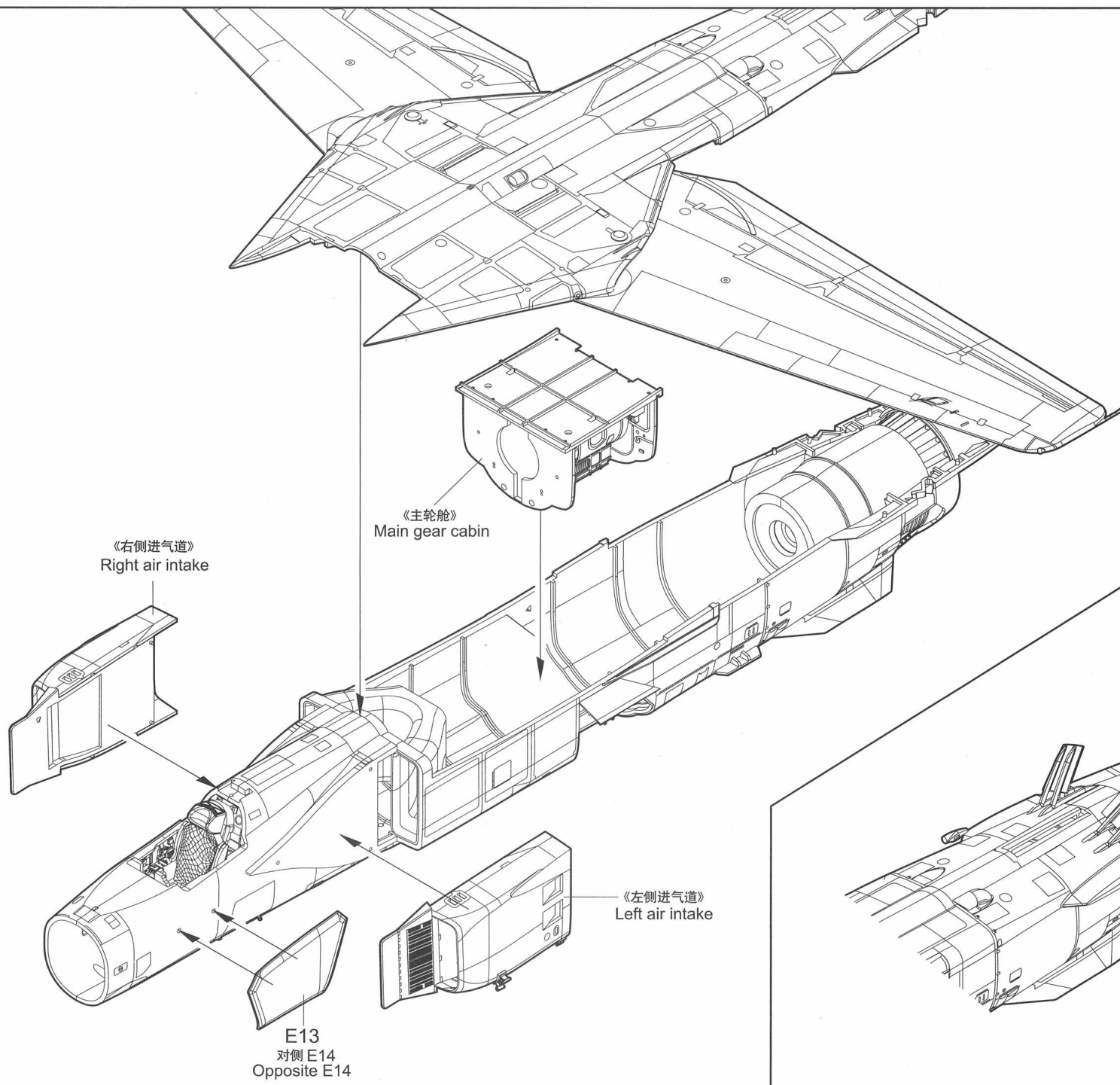
《前起落架》  
Nose undercarriage



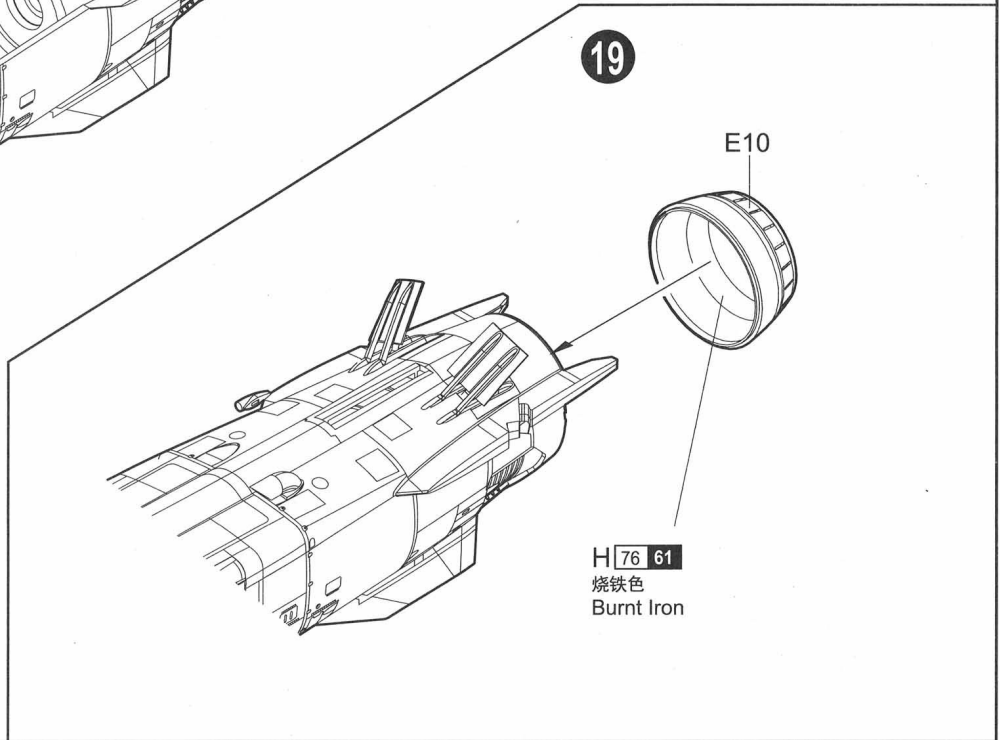


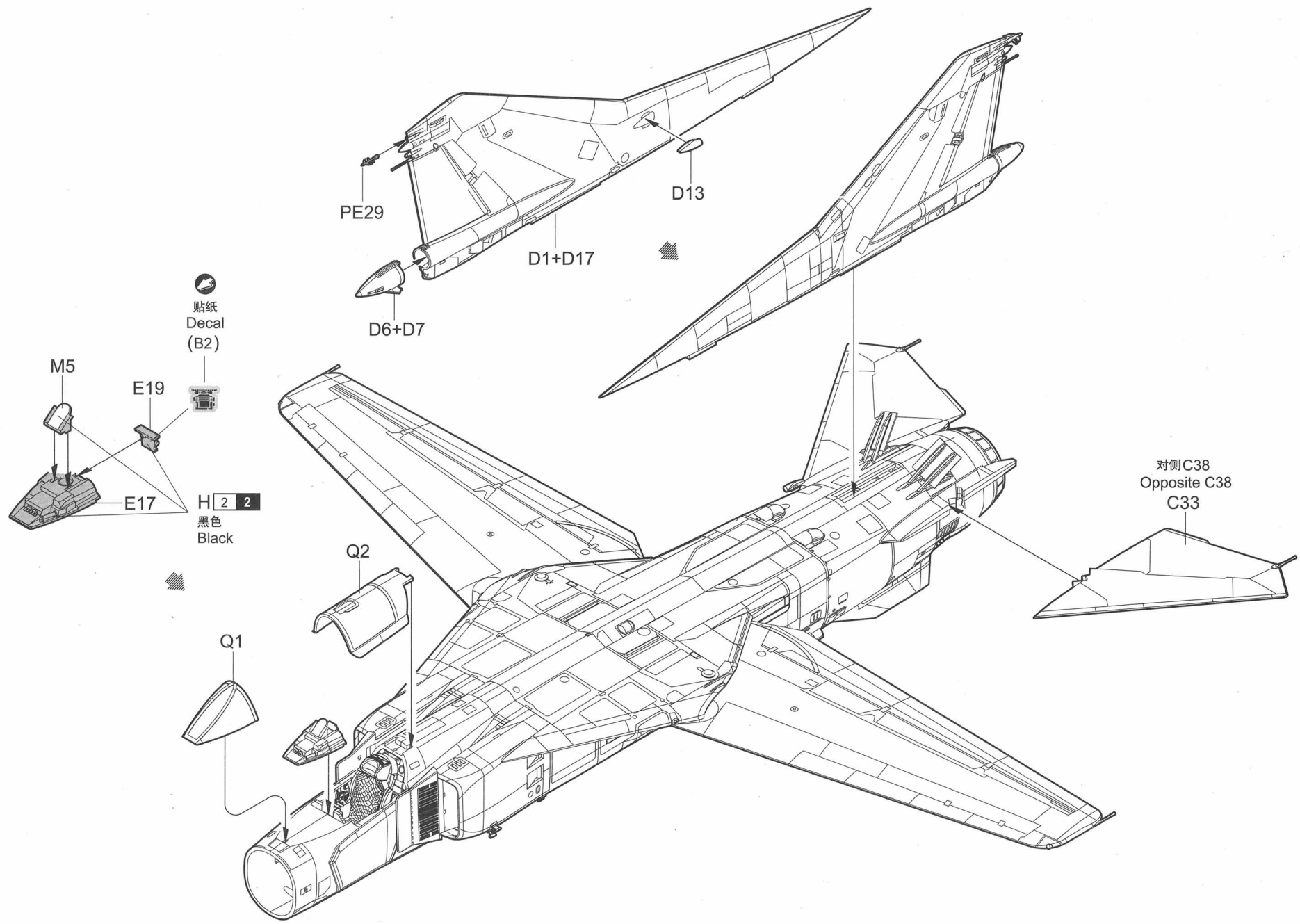


18



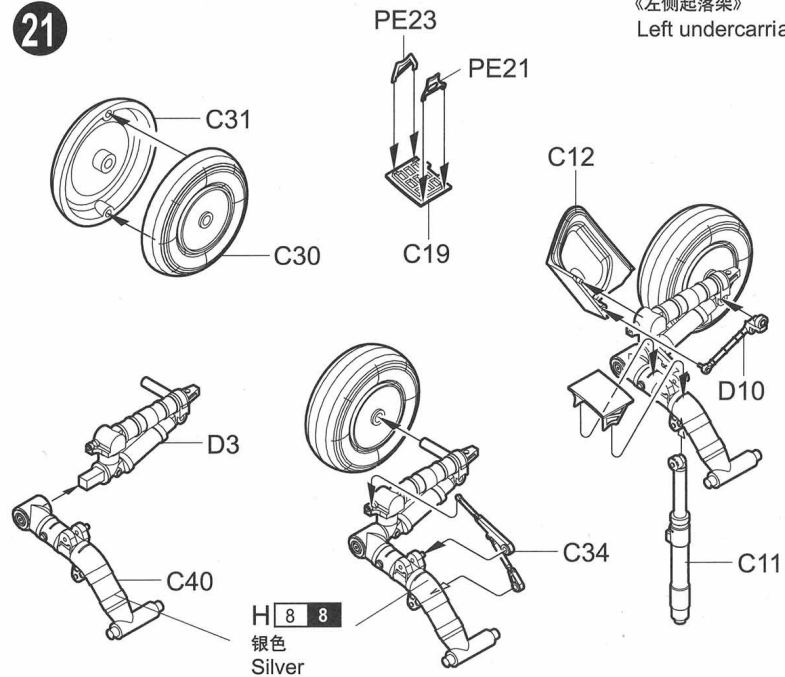
19





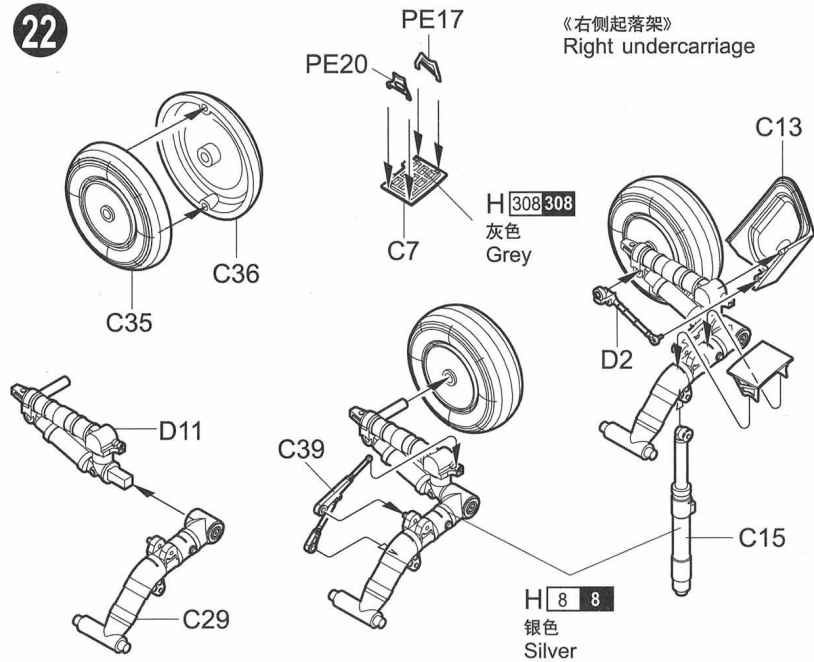
21

《左侧起落架》  
Left undercarriage



22

《右侧起落架》  
Right undercarriage

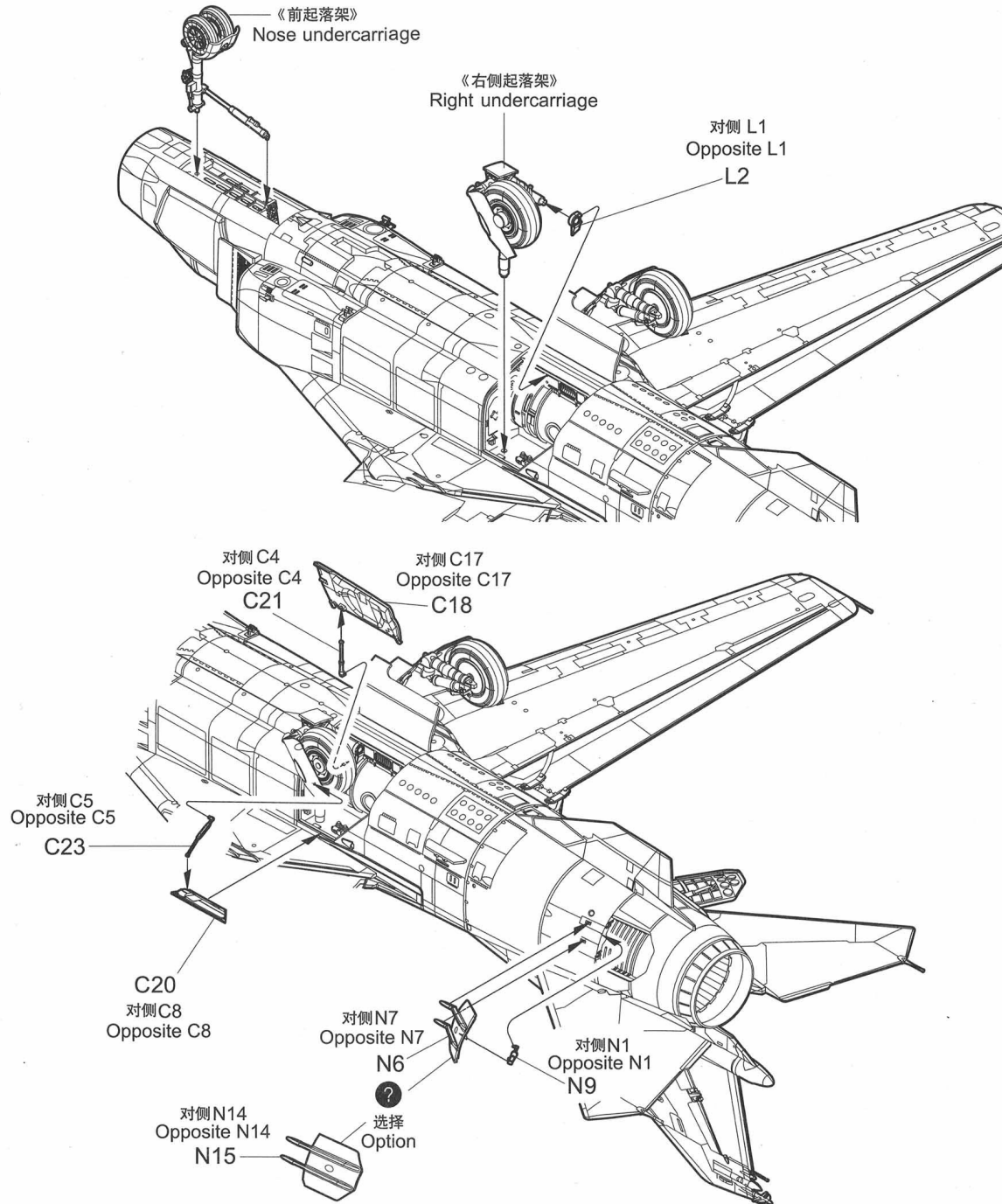


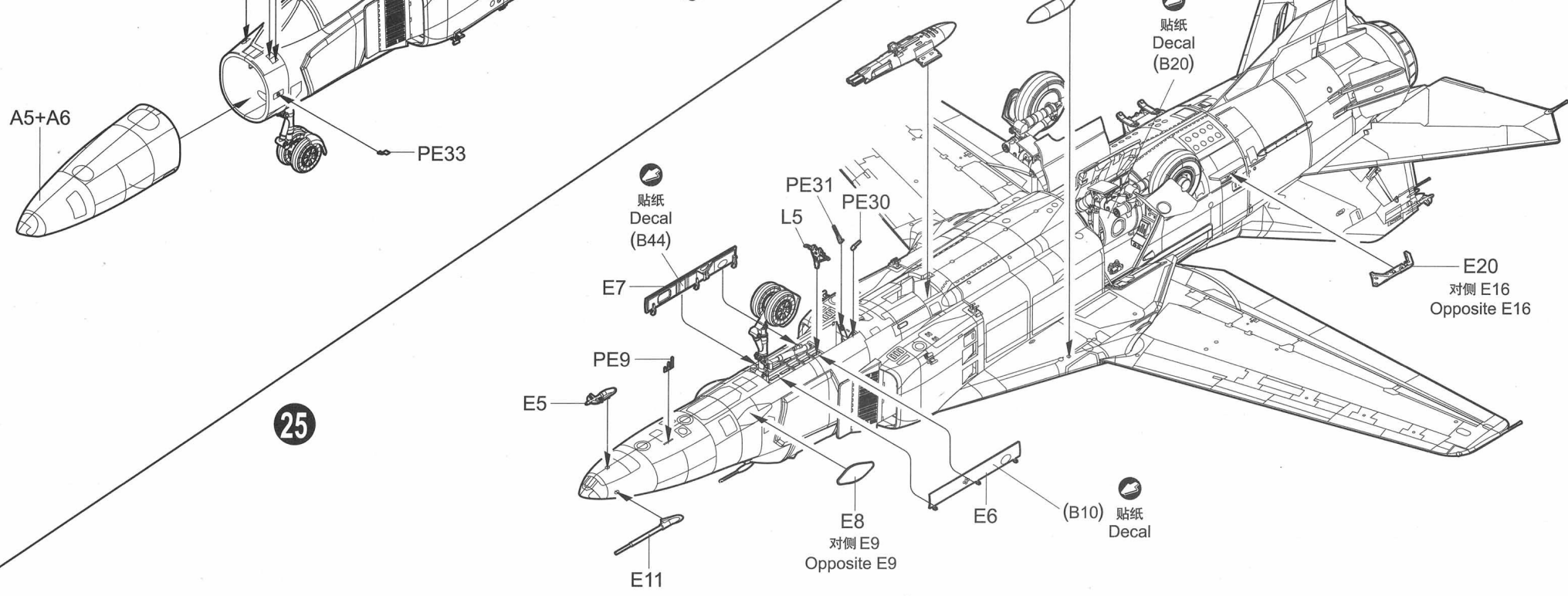
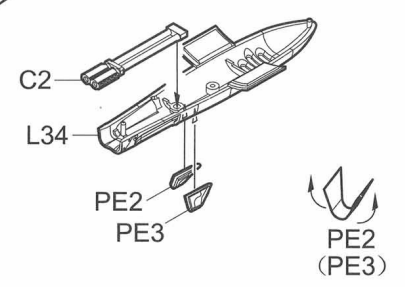
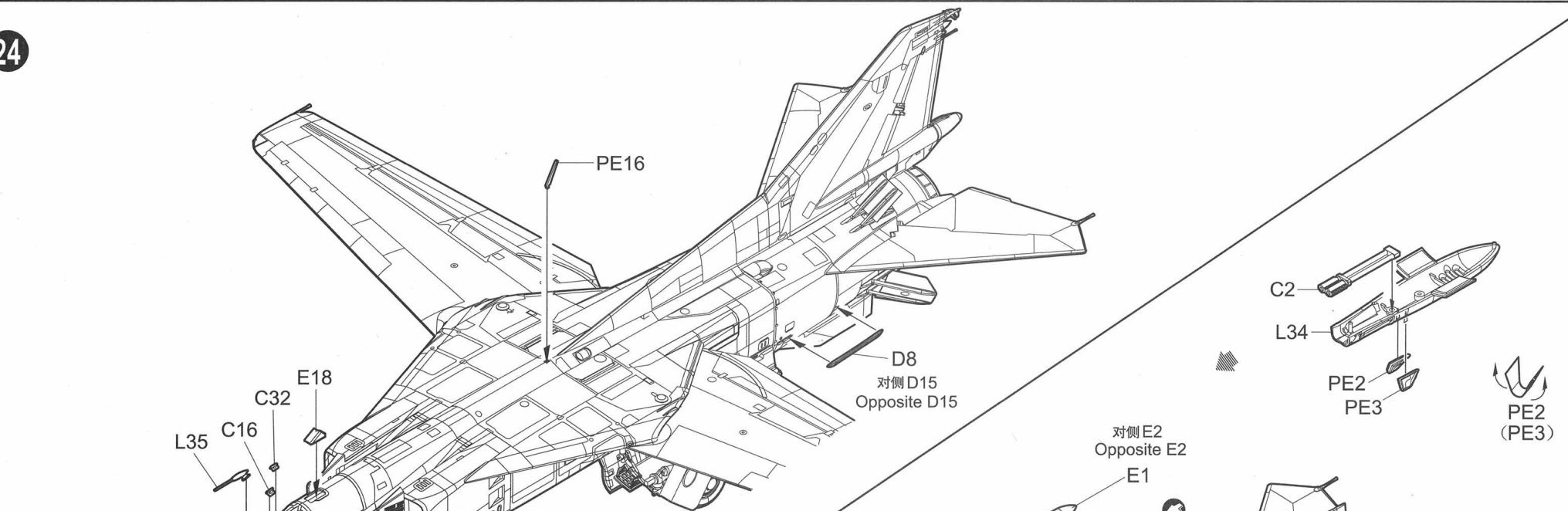
23

《前起落架》  
Nose undercarriage

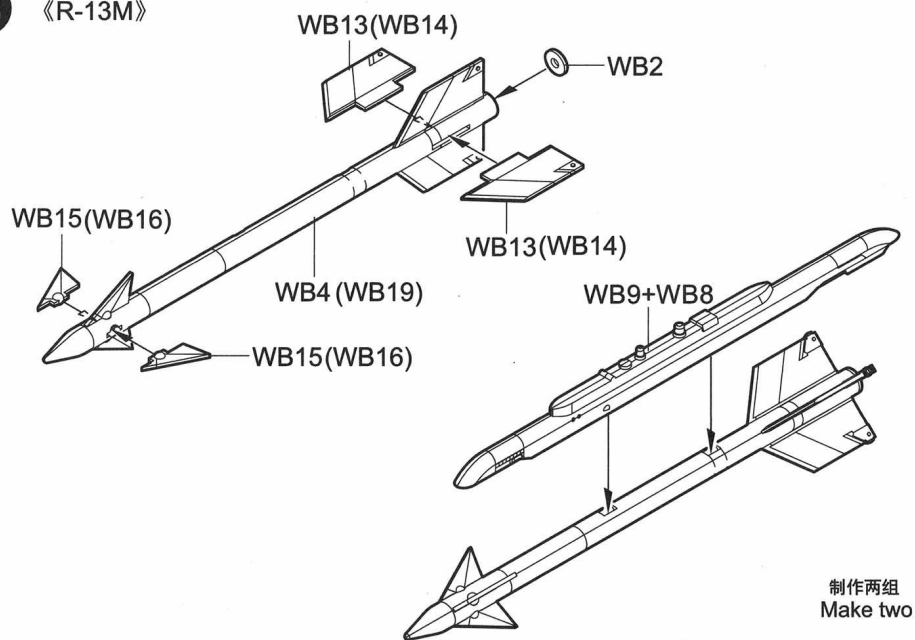
《右侧起落架》  
Right undercarriage

对侧 L1  
Opposite L1  
L2

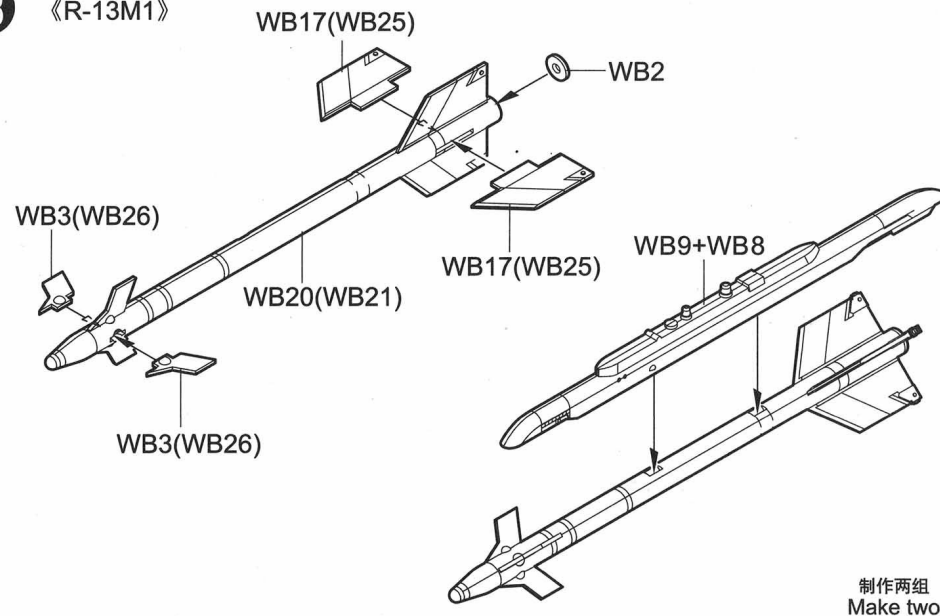




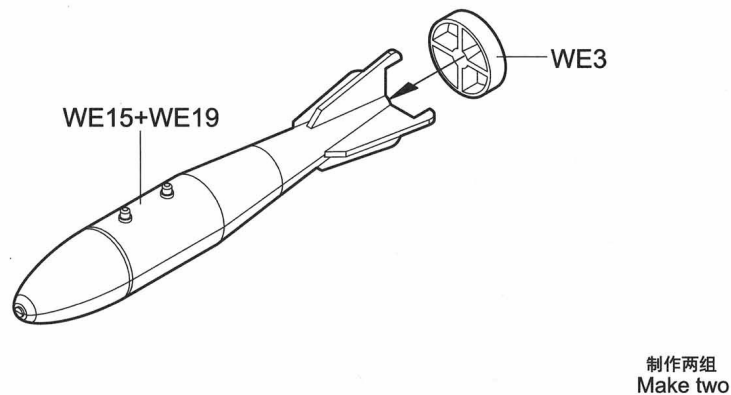
26 《R-13M》



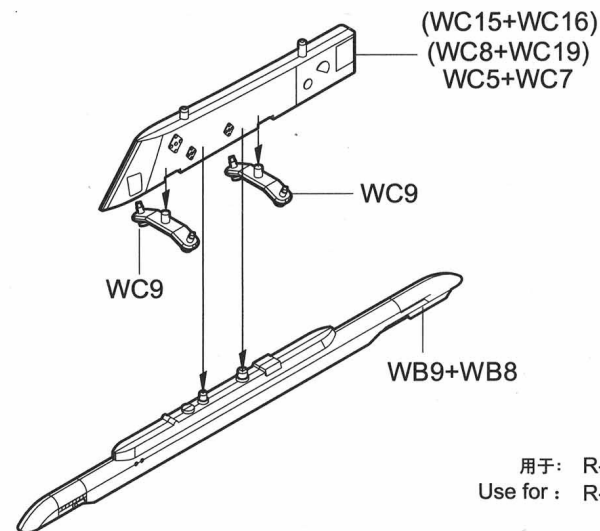
28 《R-13M1》



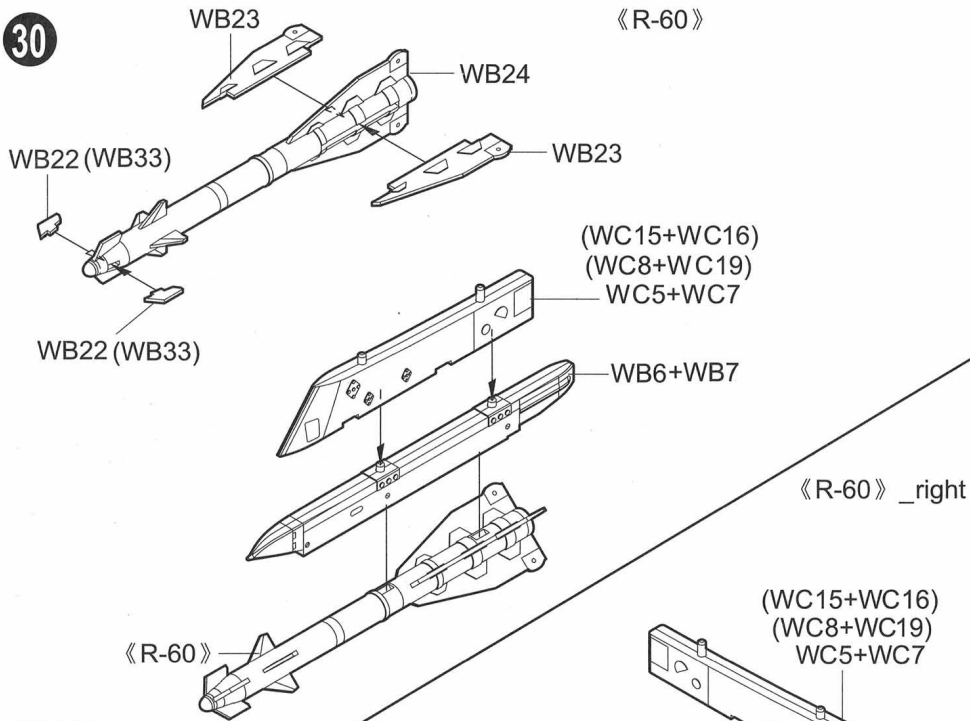
27 《FAB-500》



29

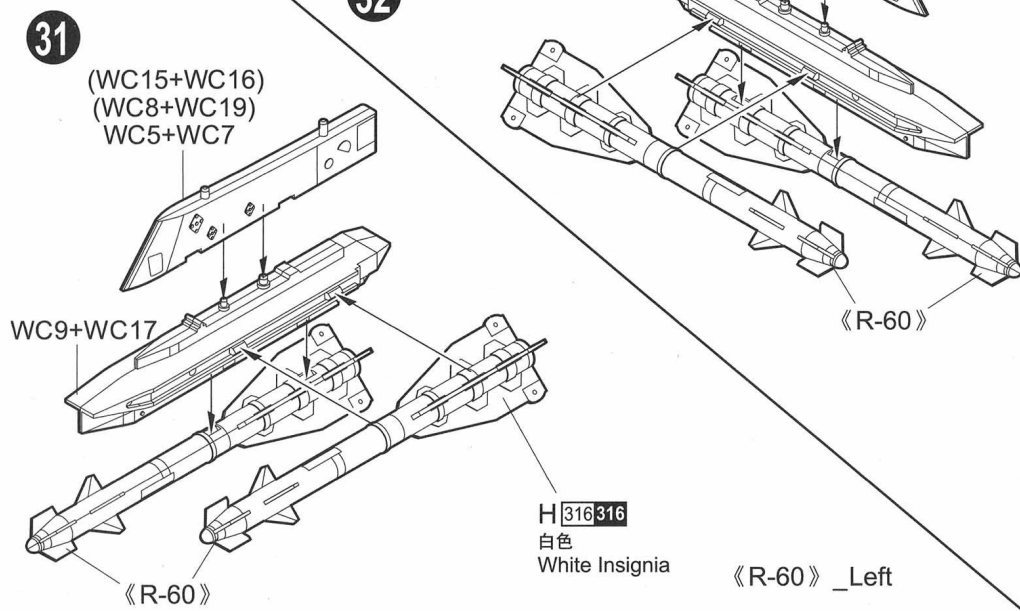


30

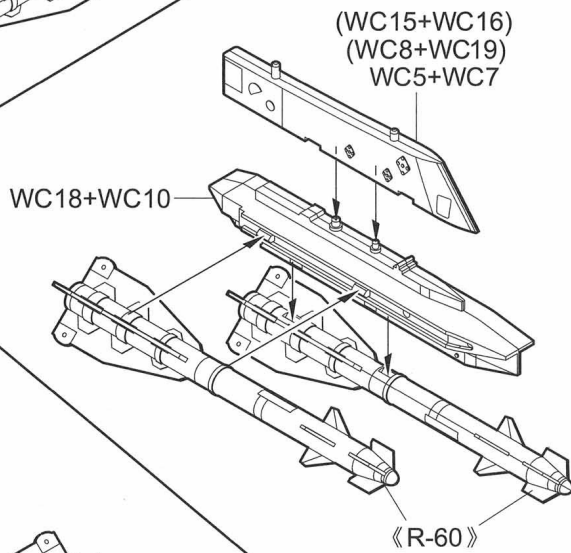


制作两组  
Make two

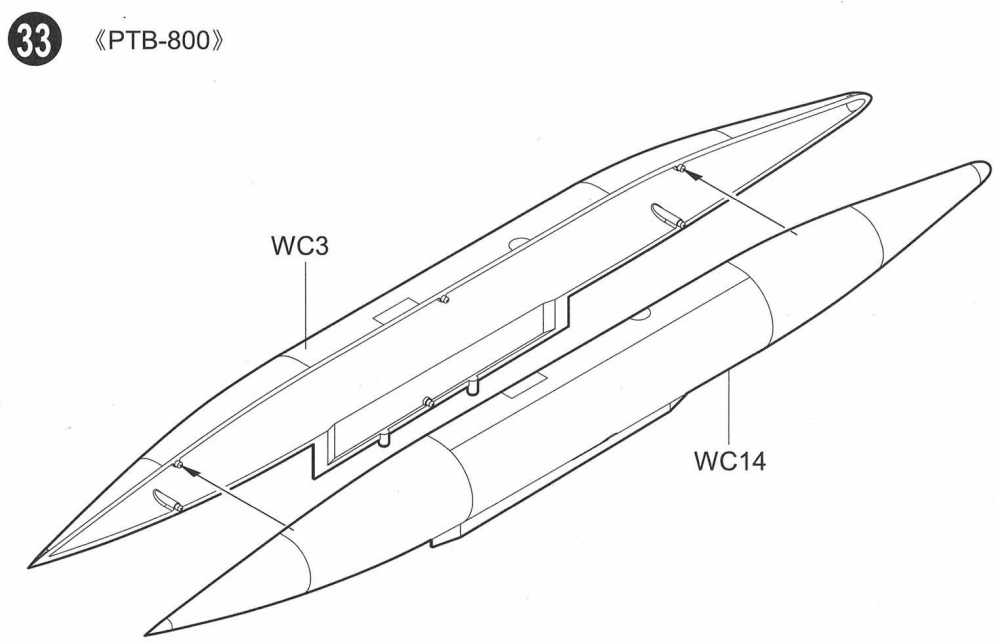
31



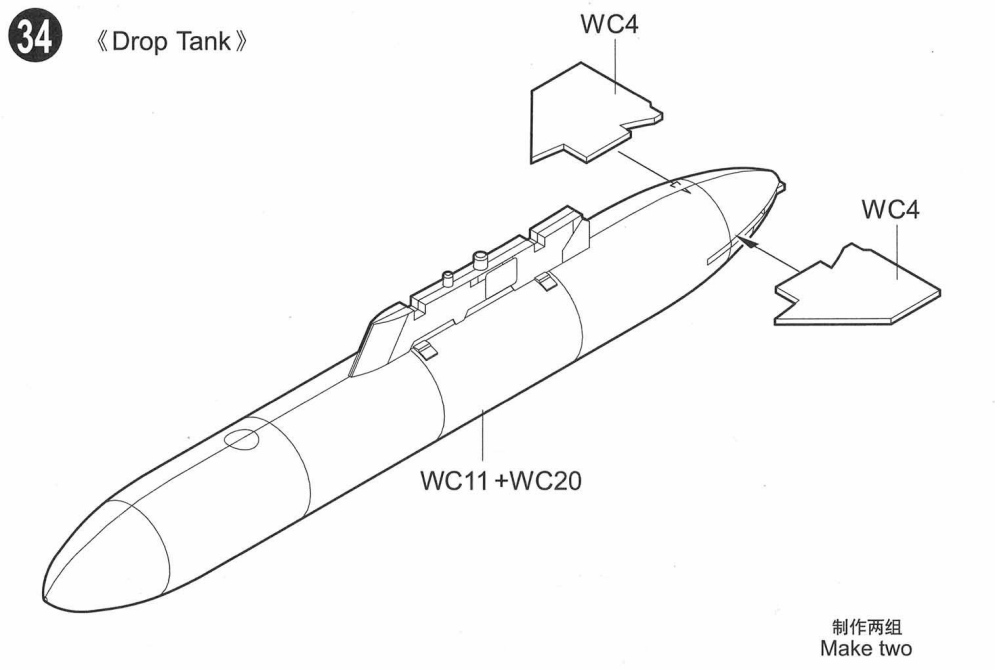
32



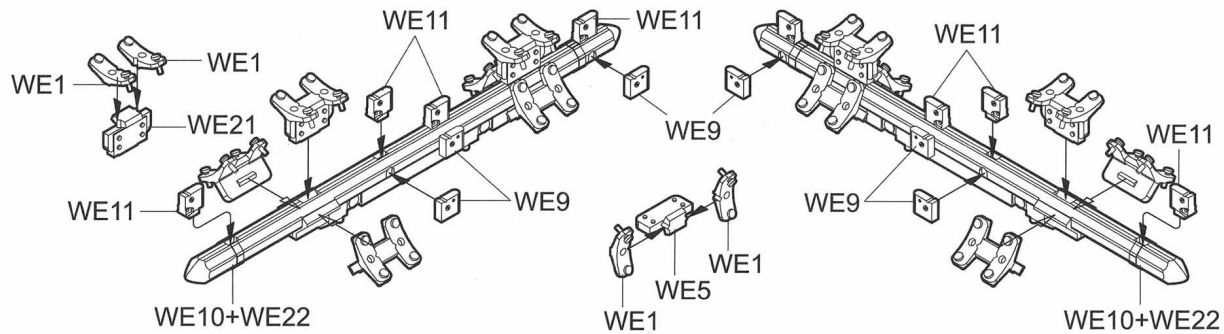
33



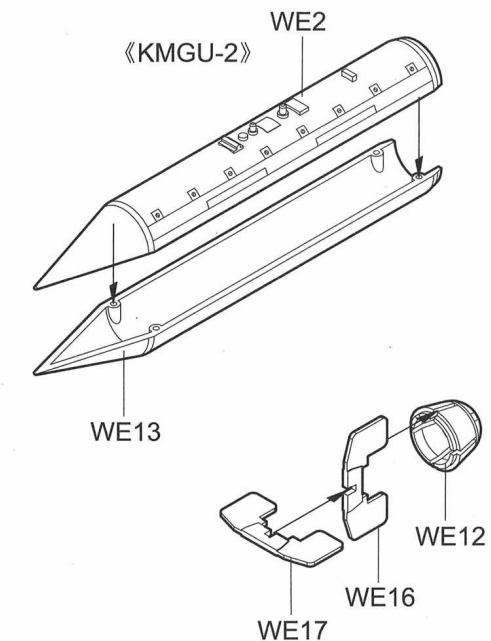
34



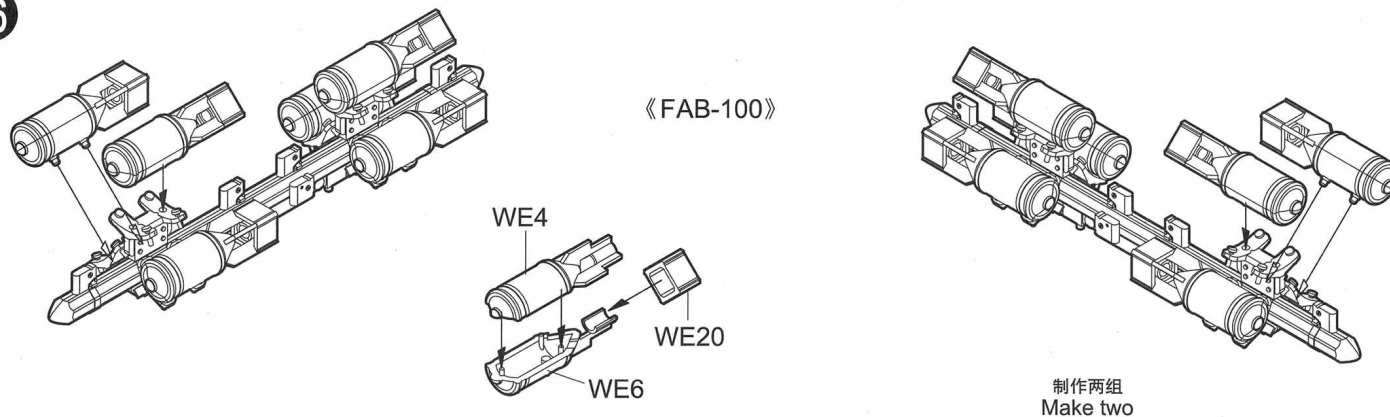
35



38



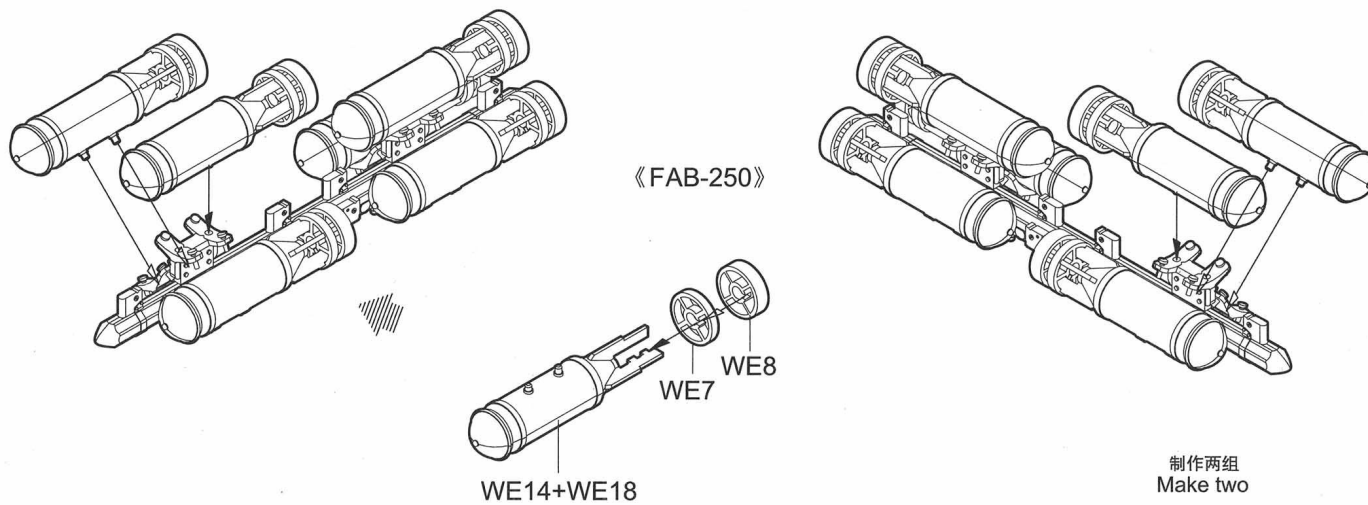
36



《FAB-100》

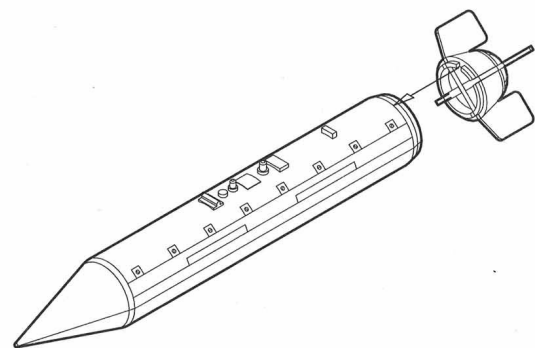
制作两组  
Make two

37

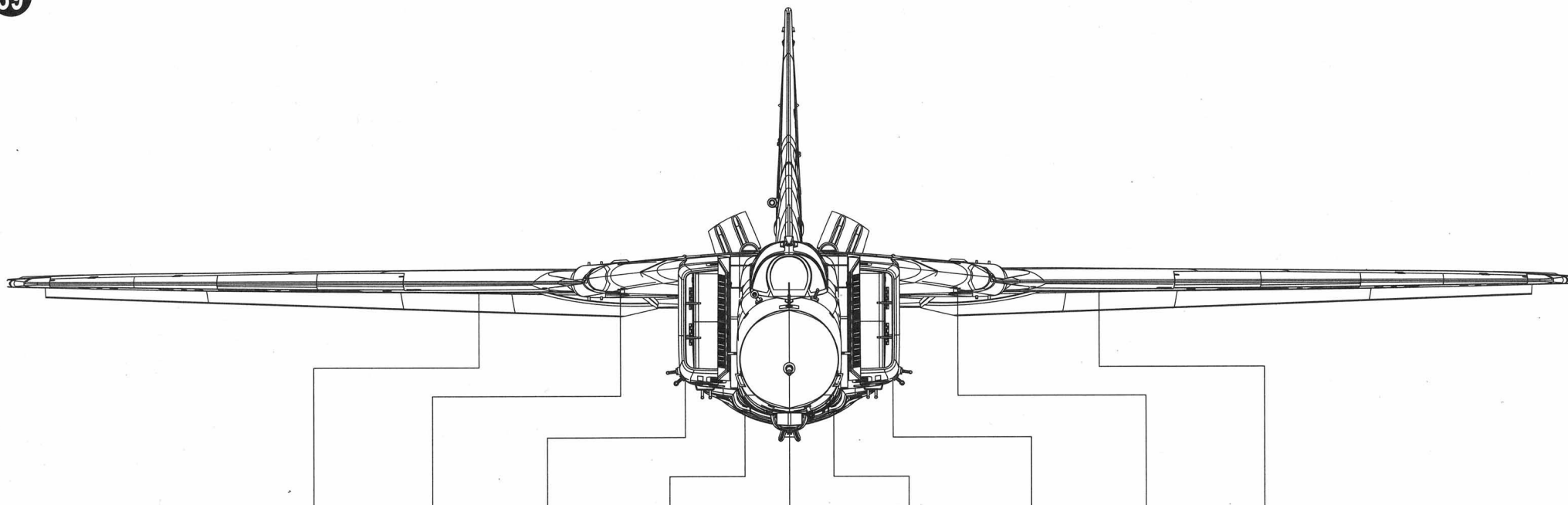


《FAB-250》

制作两组  
Make two



制作两组  
Make two



Sta.No.	1	2	3	4	5	6	7	8	9
Missile/Tank									
FAB-100	●●●●●	●●●●●	●●●●●	●●●●●		●●●●●	●●●●●	●●●●●	●●●●●
FAB-250	●●●●●	●●●●●	●●●●●	●●●●●		●●●●●	●●●●●	●●●●●	●●●●●
FAB-500	●	●		●		●		●	●
R-13M		●		●		●		●	
R-13M1		●		●		●		●	
R-60		●●		●●		●●		●●	
PTB-800					●				
Drop Tank	●								●
KMGU-2		●		●		●		●	

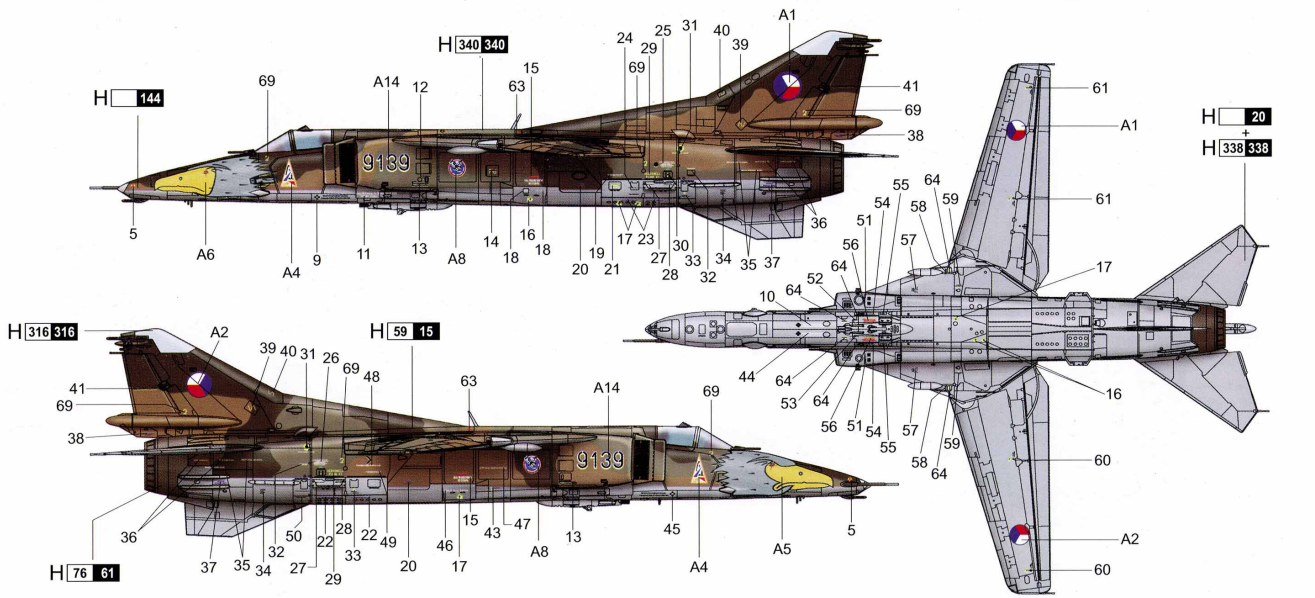


# 涂装同标贴指示 Painting & Marking guide

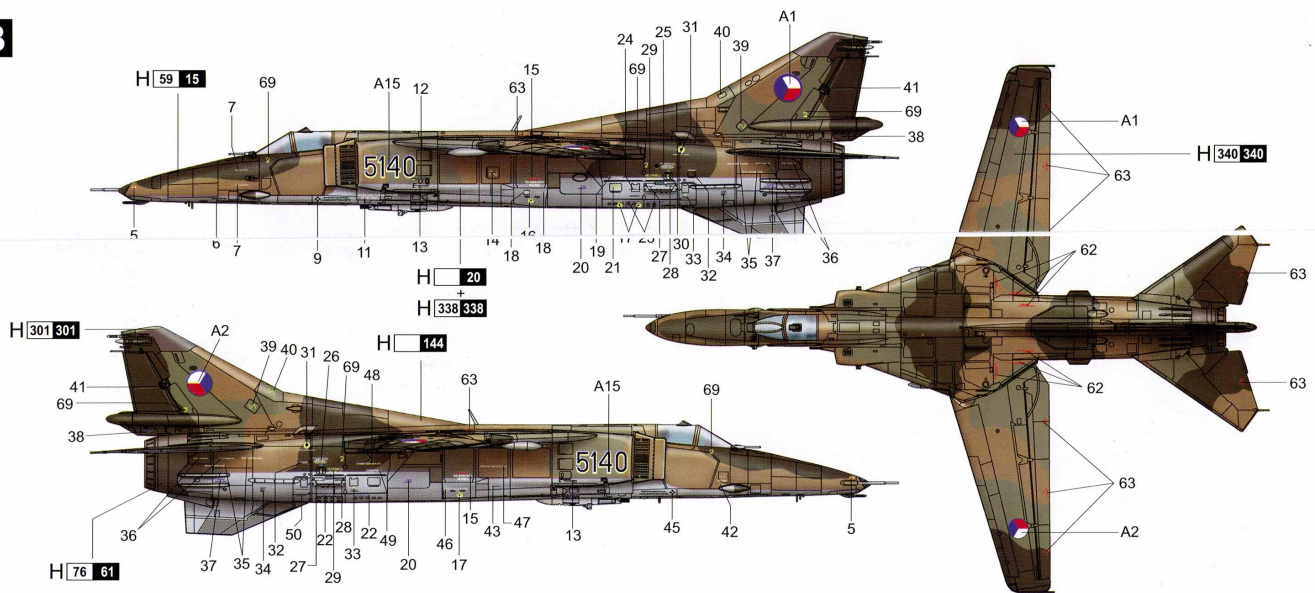
**A**

PAINT REFERENCE COLOUR					
Color	Mr.Hobby	Vallejo	Model Master	Tamiya	Humbrol
1 浅绿色 Light Green	H 340 340	920	-	78	-
2 深蓝色 Dark Blue	H 20	901	1562	-	89
3 黄褐色 Tan	H 27 44	981	-	-	-
4 灰色 Light Gray	H 338 338	-	1732	-	147
5 深绿色 Dark Green	H 330 330	892	-	-	163

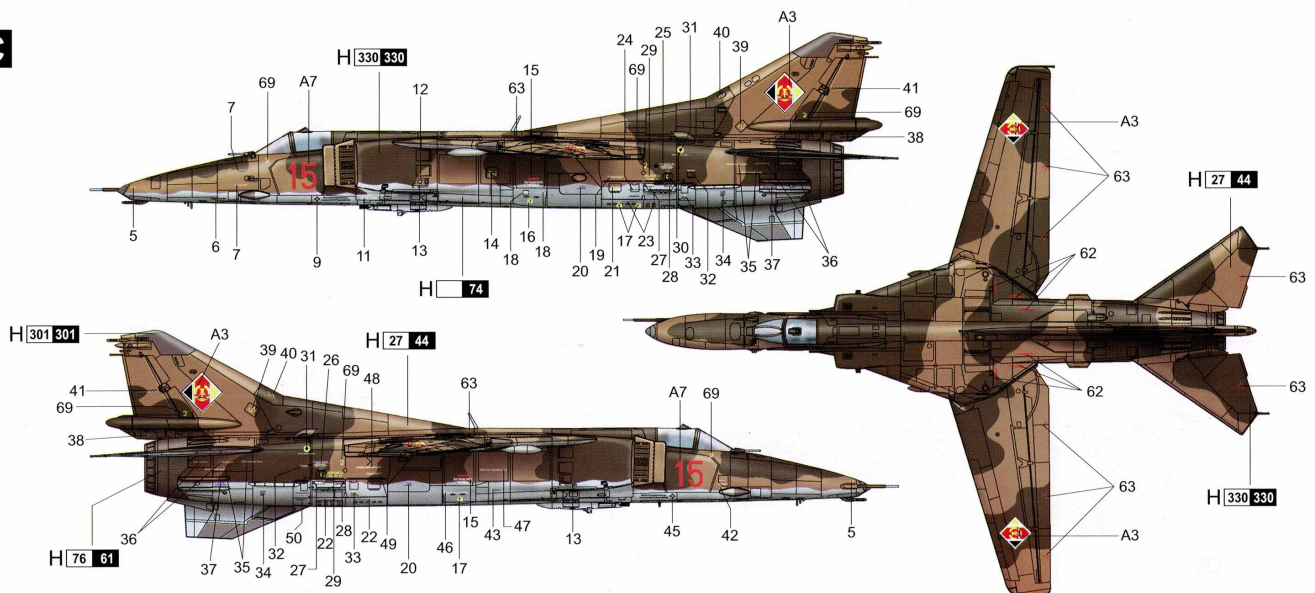
PAINT REFERENCE COLOUR					
Color	Mr.Hobby	Vallejo	Model Master	Tamiya	Humbrol
6 锈褐色 Burnt Iron	H 76 61	863	1795	X10	53
7 绿色 Green	H 59 15	-	1741	XF22	75
8 赭褐色 Tan	H 144	876	1742	-	118
9 白色 White Insignia	H 316 316	991	1745	X2	22
10 灰色 Gray	H 301 301	866	-	XF24	-
11 浅蓝色 Light Blue	H 74	869	-	XF22	-



**B**



**C**



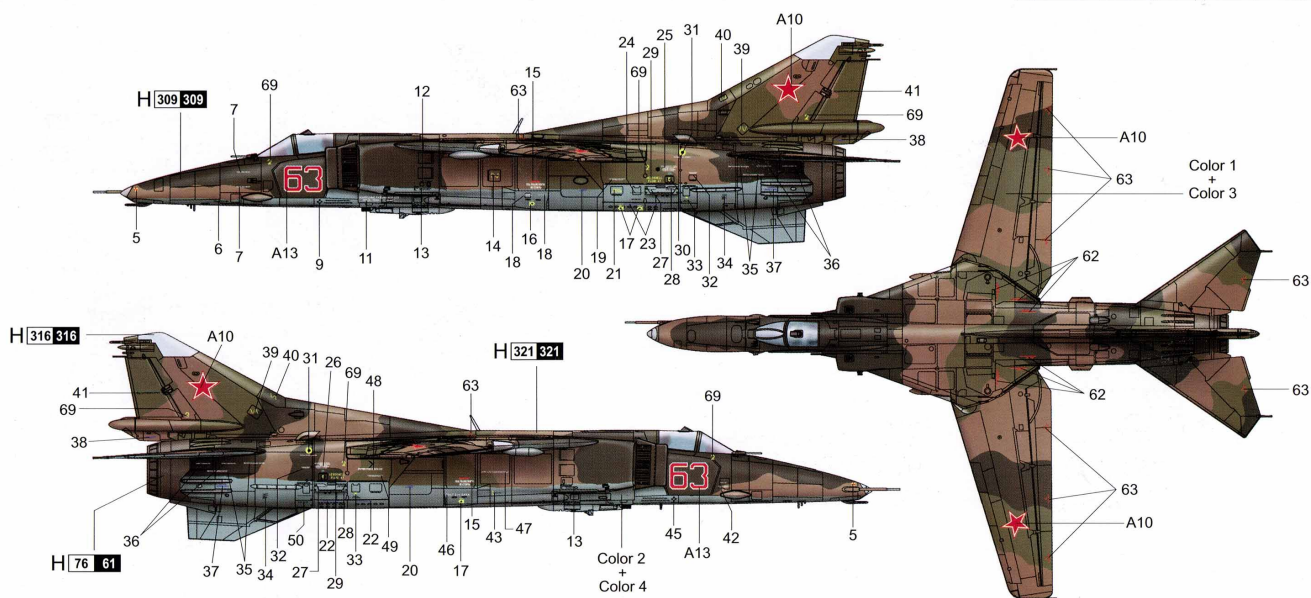
H [ ] AQUEOUS HOBBY COLOR

X [ ] Mr. COLOR

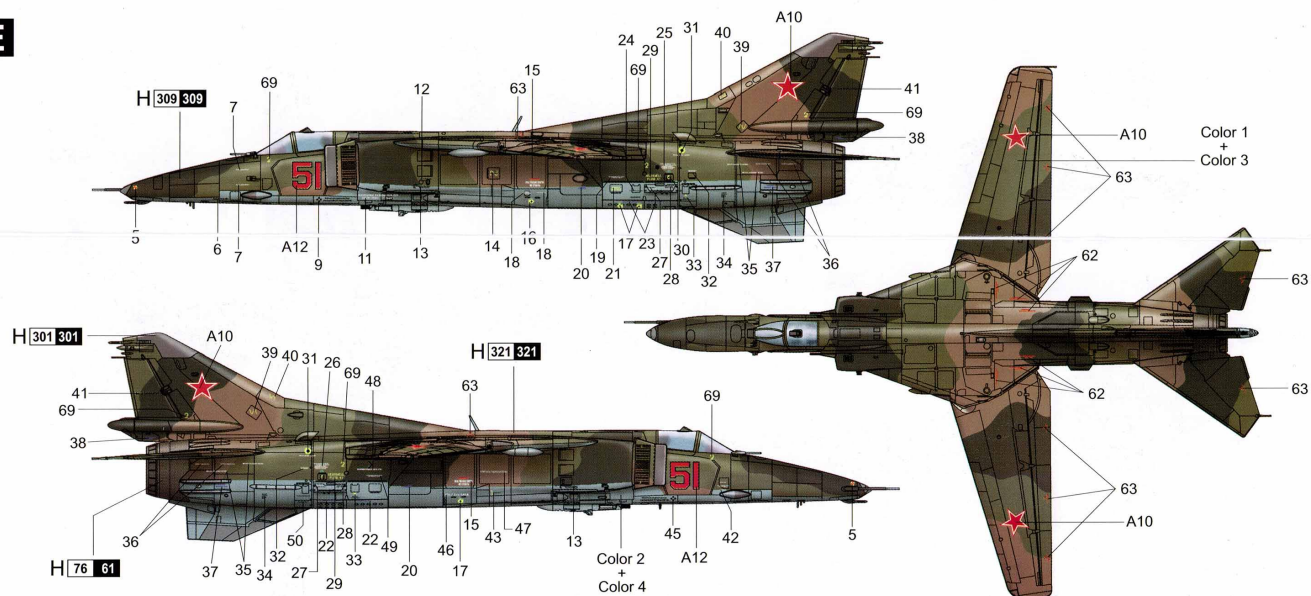
# 涂装同标贴指示 Painting & Marking guide

**D**

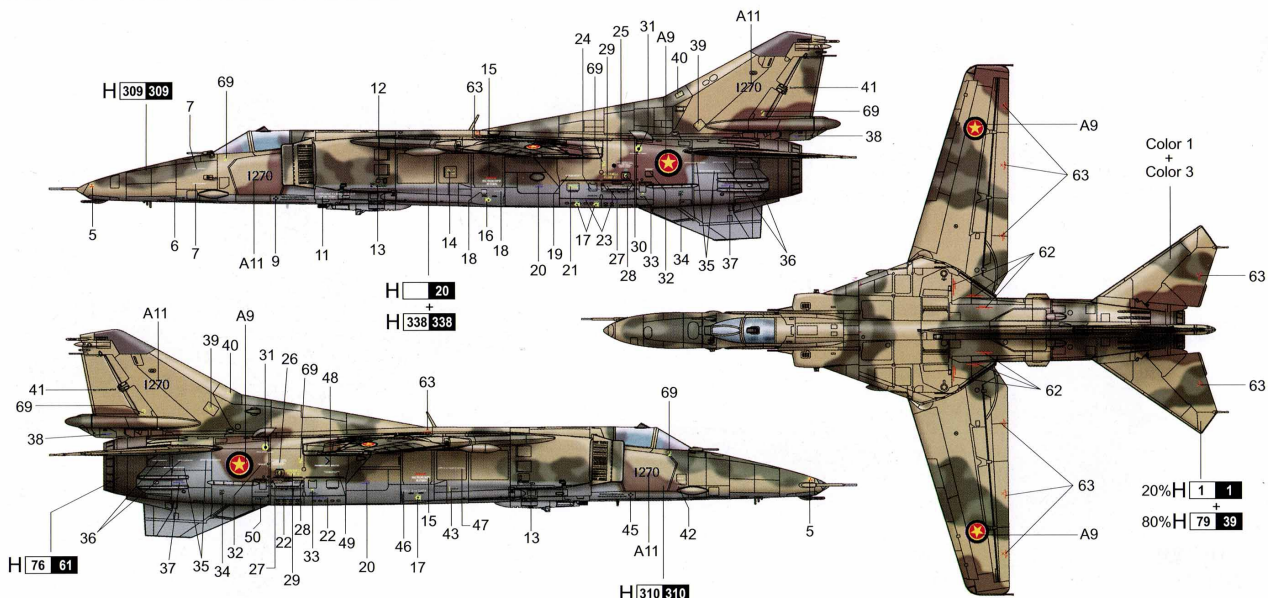
PAINT REFERENCE COLOUR						PAINT REFERENCE COLOUR					
Color	Mr.Hobby	Vallejo	Model Master	Tamiya	Humbrol	Color	Mr.Hobby	Vallejo	Model Master	Tamiya	Humbrol
1 绿色 Matt Colour Green	—	—	1716	—	78	6 赭铁色 Burnt Iron	H[76 61]	863	1795	X10	53
2 浅蓝色 Light Blue	H[20]	901	1562	—	89	7 灰色 Grey	H[301 301]	866	—	XF24	—
3 鼠牌内绿色 Interior Green	H[58 27]	—	—	—	—	8 砂黄色 Sandy Brown	H[79 39]	824	—	XF59	93
4 灰色 Light Grey	H[338 338]	—	1732	—	147	9 白色 White Insignia	H[316 316]	991	1745	X2	22
5 暗绿色 Dark Green	H[321 321]	929	—	—	—	10 绿色 Green	H[309 309]	893	1710	XF58	116
						11 白色 White	H[1 1]	842	1745	X2	22



**E**



**F**



H[X] AQUEOUS HOBBY COLOR    X Mr. COLOR

# 涂装同标贴指示 Painting & Marking guide

## PAINT REFERENCE COLOUR

Color	Mr.Hobby	Vallejo	Model Master	Tamiya	Humbrol
银色 Silver	H 8 8	997	1546	X11	11
浅蓝色 Light Blue	H 20	901	1562	-	89
Flat black 消光黑	H 12 33	950	1749	XF1	33
灰色 Medium Grey	H 306 306	870	1725	XF20	-

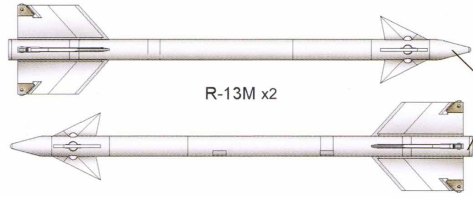
## PAINT REFERENCE COLOUR

Color	Mr.Hobby	Vallejo	Model Master	Tamiya	Humbrol
绿色 Green	H 6 6	969	2716	X5	3
白色 White	H 316 316	991	1745	X2	22
深灰色 Gray Blue	H 337 337	-	1721	XF20	145
灰色 Light Grey	H 338 338	-	1732	-	147



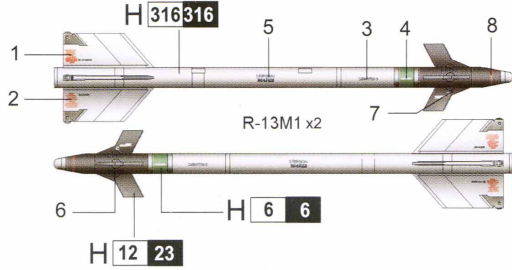
R-60 x4

H 316 316



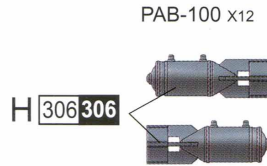
R-13M x2

H 316 316



R-13M1 x2

H 12 23



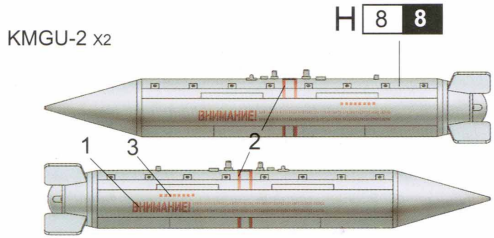
PAB-100 x12

H 306 306



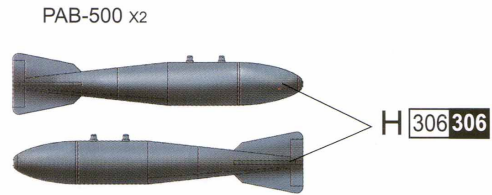
PAB-250 x12

H 306 306



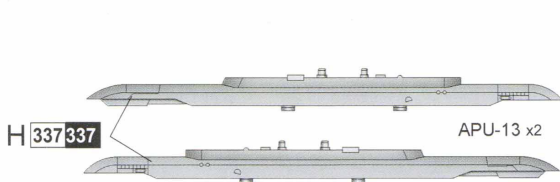
KMGU-2 x2

H 8 8



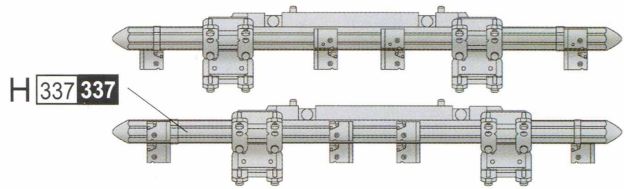
PAB-500 x2

H 306 306

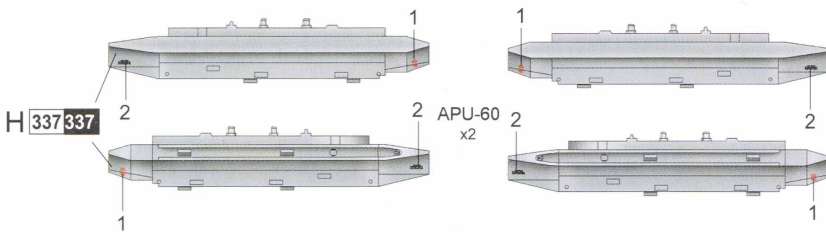


APU-13 x2

H 337 337

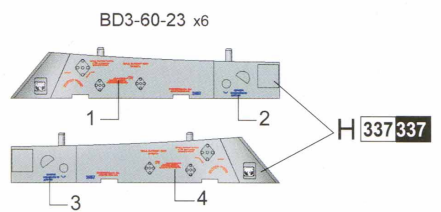


H 337 337



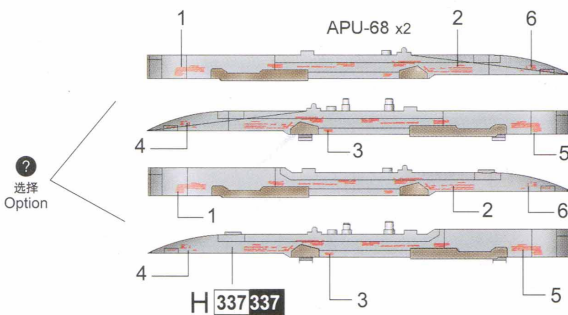
APU-60 x2

H 337 337



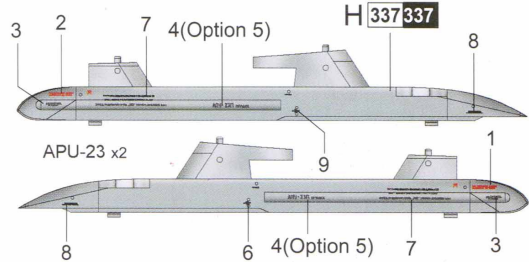
BD3-60-23 x6

H 337 337



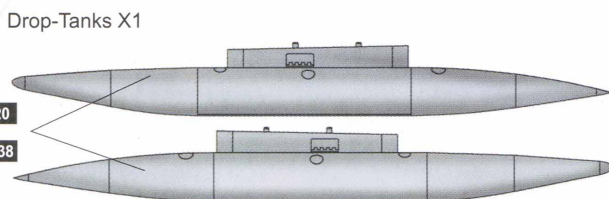
APU-68 x2

H 337 337



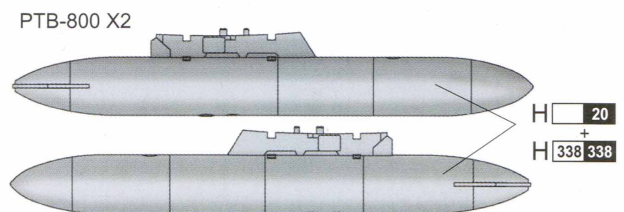
APU-23 x2

H 337 337



Drop-Tanks X1

H 20 + H 338 338



PTB-800 X2

H 20 + H 338 338

H X AQVEOUS HOBBY COLOUR

X MR.COLOUR