

British Cruiser Tank A9 and A9CS

英军巡航坦克 A9/A9CS

1/35 SCALE



Tank, Cruiser, Mk. I (A9)

Developed in 1934, Tank Cruiser MK. I, code A9, was the first ever built British cruiser tank. The A9 is designed not only to perform reconnaissance and patrol tasks but also capable of making forays deep into enemy territory.

The A9 played a very important role in British tank technical development; such as it was the first British tank employed periscopes and hydraulic turret traverse system. It was also the first British Tank with a hull shaped that can provide ballistic protection from anti-tank mines and being the first vehicle to perform deep wading.

Tank, Cruiser, MK. I (A9) according to their own weaponry can be sub-divided into two variants.

1. Tank Cruiser MK. I (A9 MK. I)

Equipped with a QF 2-pounder cannon, one coaxial mounting 0.33 inch Vickers water-cooled machine guns in the gun turret. Another two 0.33-inch Vickers water-cooled machine guns, mounting in the two machine gun turrets.

2. Tank Cruiser MK. I CS (A9 MK. I CS)

The CS (Close Support) version had a 3.7 inches (94 mm) howitzer in the gun turret assigned for infantry support role with other weaponry remain unchanged. The production run A9 tank weight 12.5 tons, has 15/64 inch (6 mm) to 35/64 inch (14mm) armour plate and could manage 25mph (40.23 kph) on road, while off road 15 mph (24.14 kph) only. The A9 tank had been intended to sacrifice armour for speed that made it relatively poorly armoured. As a result, it was ineffective to perform the cruiser tank duty such as forays deep into enemy territory. A total of 125 A9s were built.

MK. I 巡航坦克, 代号 A9

巡航坦克概念是一类能够快速移动, 但装甲薄弱, 用于执行侦察、警戒、巡逻等任务外, 亦善于敌后穿插突袭的快速坦克。开发于1934年的A9巡航坦克可以说是英国巡航坦克系列的原组作品。

A9在英国坦克技术开发过程中同样发挥了非常重要的作用, 例如A9是第一辆采用潜望镜, 第一辆拥有液压力用于炮塔自转的坦克。同样A9亦是第一辆应用特别车体结构, V型船体, 可以提供对反坦克地雷的较佳保护, 并且A9也是第一辆可以进行潜渡河流攻击的坦克。

MK. I 巡航坦克根据自身武器装备的不同可以分为二个型号。

MK. I 巡航坦克

主炮塔1门2磅快炮和一挺同轴0.33英寸维克斯水冷式机枪。另有两挺0.33英寸维克斯水冷式机枪, 分别安装在两个单人机枪炮塔内。

MK. IA CS 巡航坦克 (CS = 近接支援)

主炮换上3.7吋榴弹炮, 其余武备相同



中文

ILLUSTRATION 图示说明:

CORRECT METHOD FOR APPLYING DECALS : 正确使用水贴纸的方法:

1. Clean model parts surface with wet cloth.
将需要贴水贴之部位表面擦干净。
2. Cut out the decal parts and dip them in cold water for 15 ~20 seconds.
将所需之贴纸剪下泡在清水里约15至20秒。
3. Place it on correct position of the model kit.
将湿透之贴纸取出置放于正确之位置旁。
4. Slide off the decal from the base paper on to the model kit surface with a cotton stick.
用棉花棒轻推贴纸表面使其从底纸滑出至模型表面之正确位置。
5. When decal get dry then complete.
待其自然干透后即完成。

ICON INSTUCTION: 图标说明:



Open Hole
钻孔



Remove
切除



Make 2 pics
同样的制作二组



Bend
曲折



Optional
可以选择采用



Apply Decal
贴水贴纸



Instant Glue For Metal
瞬间接着剂,金属用



Fill Hole
把孔填平



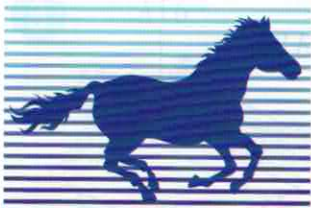
Do not cement
不用粘合

COLOR SUGGESTION: 涂装指引:

Color 涂料表		Hobby Color	MR. Hobby	Humbrol	Tamiya
Tyre black	轮胎黑	C-137	H-77	85	/
Steel	黑铁色	C-28	H-18	53	XF-10
Rust	铁锈色	/	H-344	/	X-23
Wood Brown	木棕色	C-43	H-27	9	XF-57
Clear blue	透明蓝	C-50	H-93	/	/
NO.34 Slate	岩石色	C-126	/	/	/
NO.28 Silver Grey	银灰色	C-101	/	/	/
G3 Khaki Green	G3卡其绿色	C-54	/	/	/
G4 Dark Green	G4深绿色	C-70	/	/	/
Light stone 61	沙石色	/	H71+H-11	(8)74+(1)26	XF-59+60
Mustard yellow	芥末黄	C-27	/	/	/

READ BEFORE ASSEMBLING: 组装必读:

- Carefully Study instruction before assembling. 组装前请阅读清楚制作指引。
- Keep plastic model glue and tools away from children. 胶水,油漆及工具勿让小孩接触。
- Do not use cement or paint near open flame or sparks. 胶水及油漆勿接触火种。
- Do not work in closed room. 勿在密封地方制作模型。



BRONCO

Bronco Models

Copyright © 2017

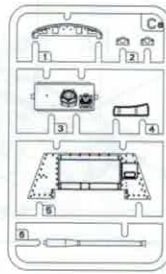
Made in China

中国制造

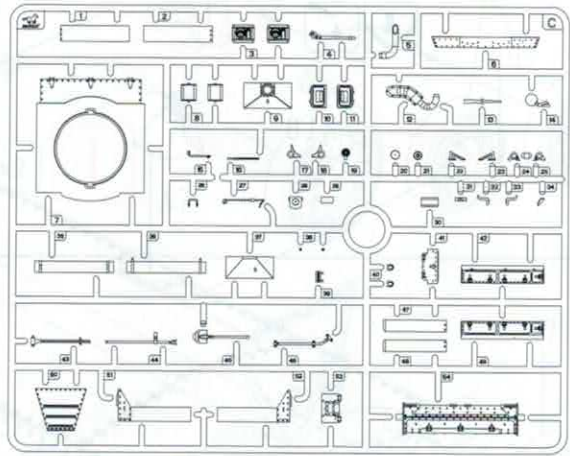
No used parts
不要部件



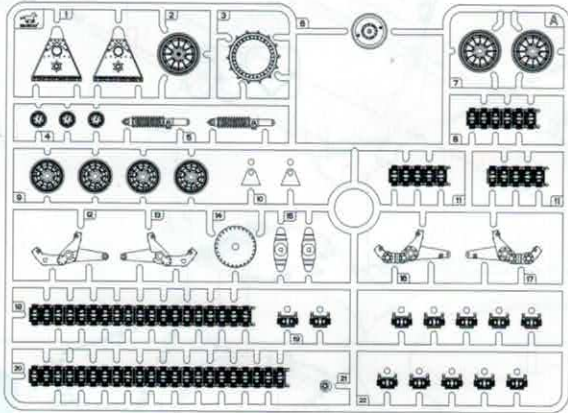
Ca × 1



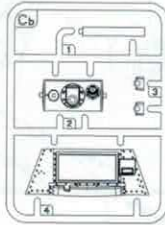
C × 1



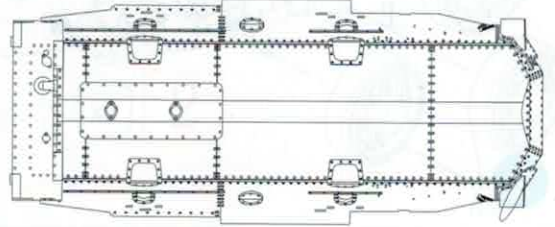
A × 2



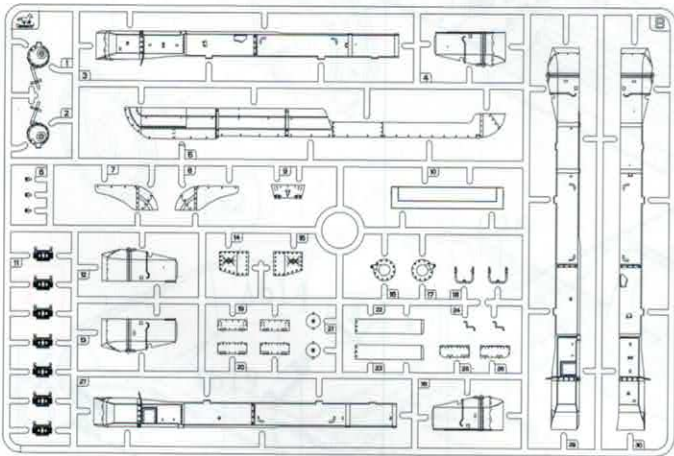
Cb × 1



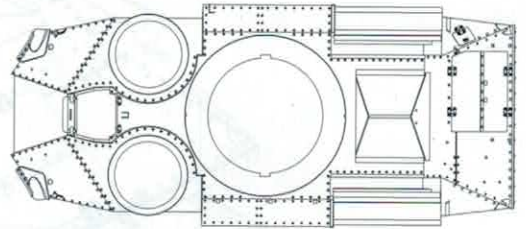
E × 1



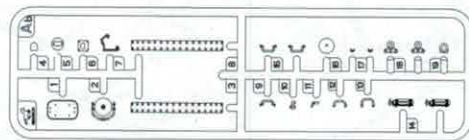
B × 1



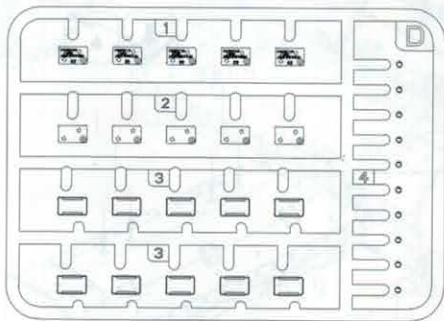
H × 1



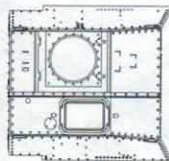
Ab × 2



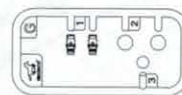
D × 2



F × 1



G × 1



Left

I2 × 1

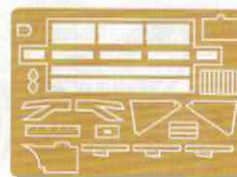


Right

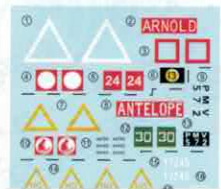
I1 × 1



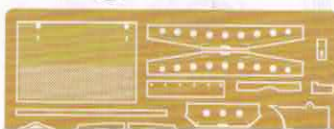
Pa × 1



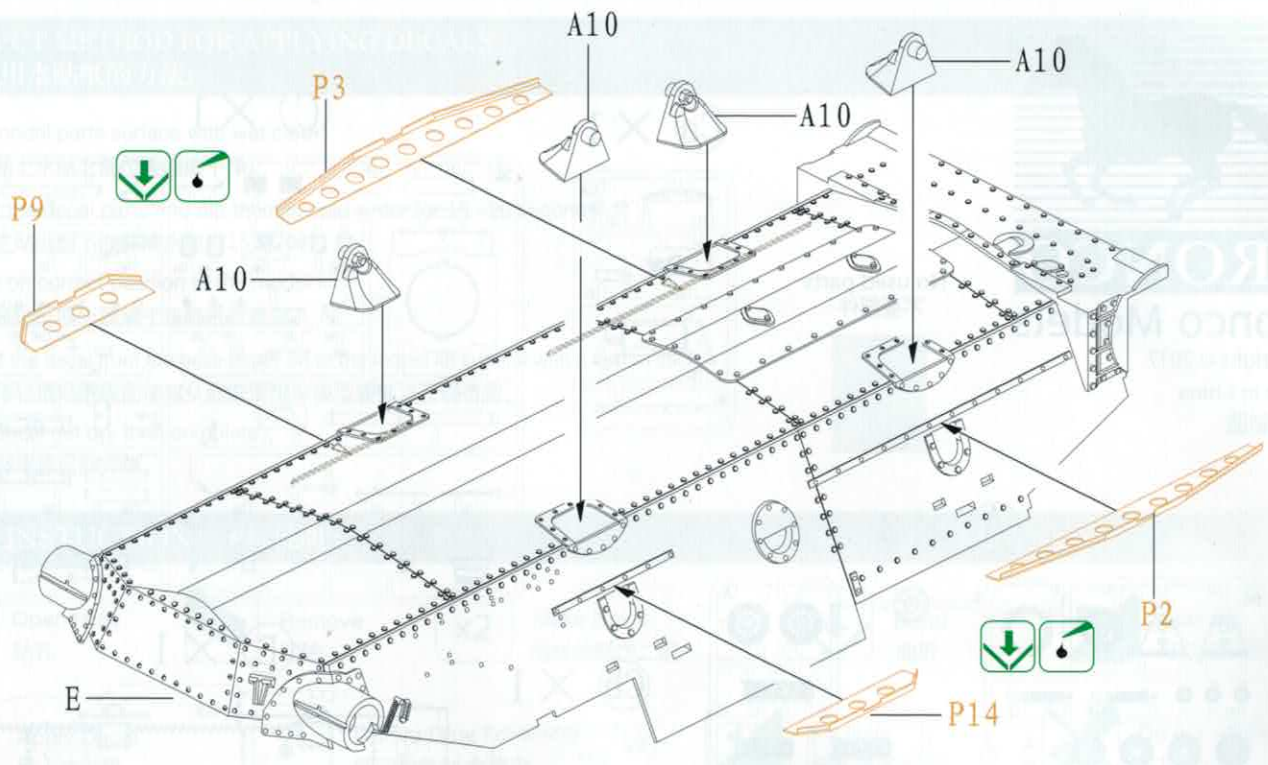
Decal × 1



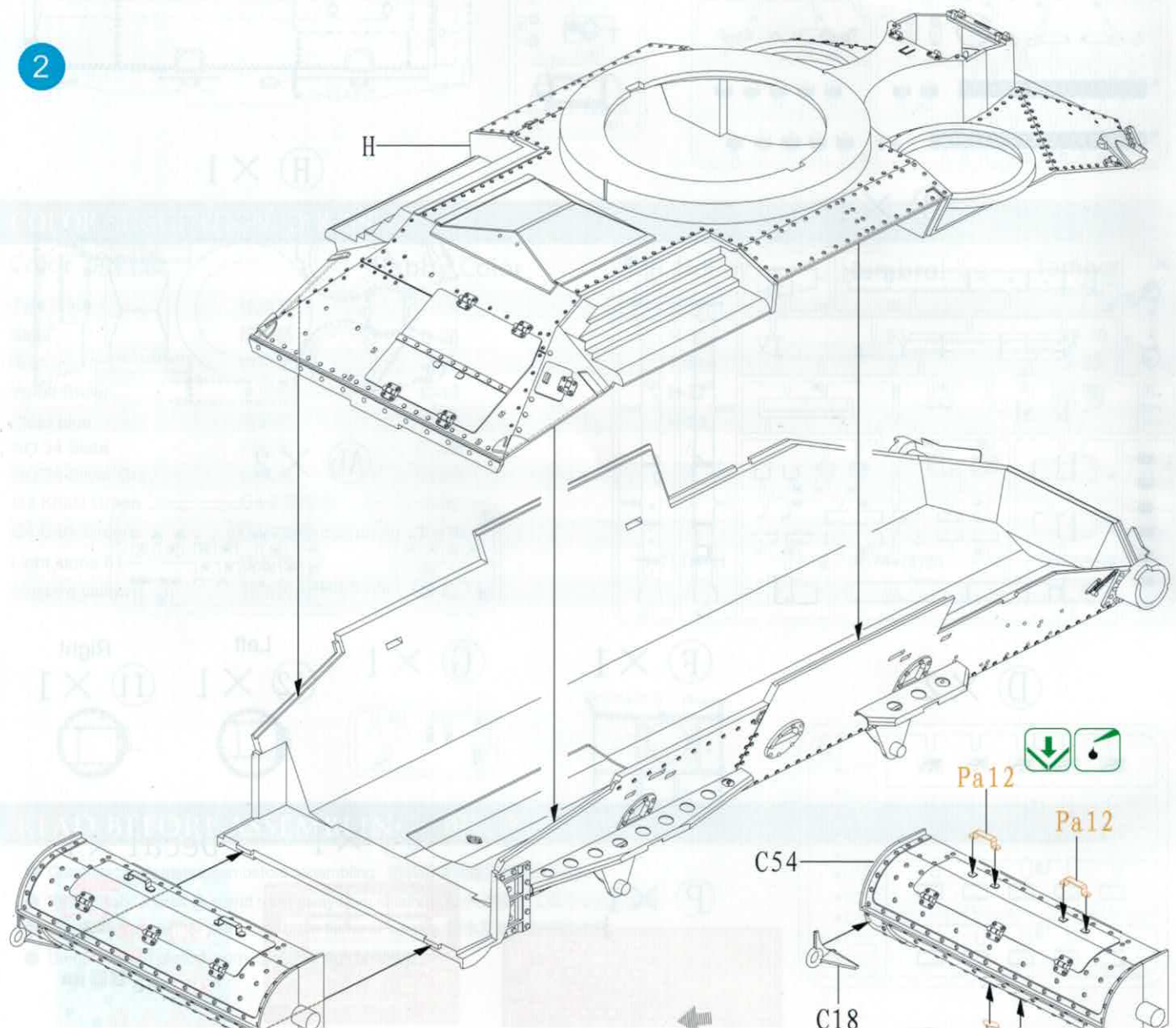
P × 1

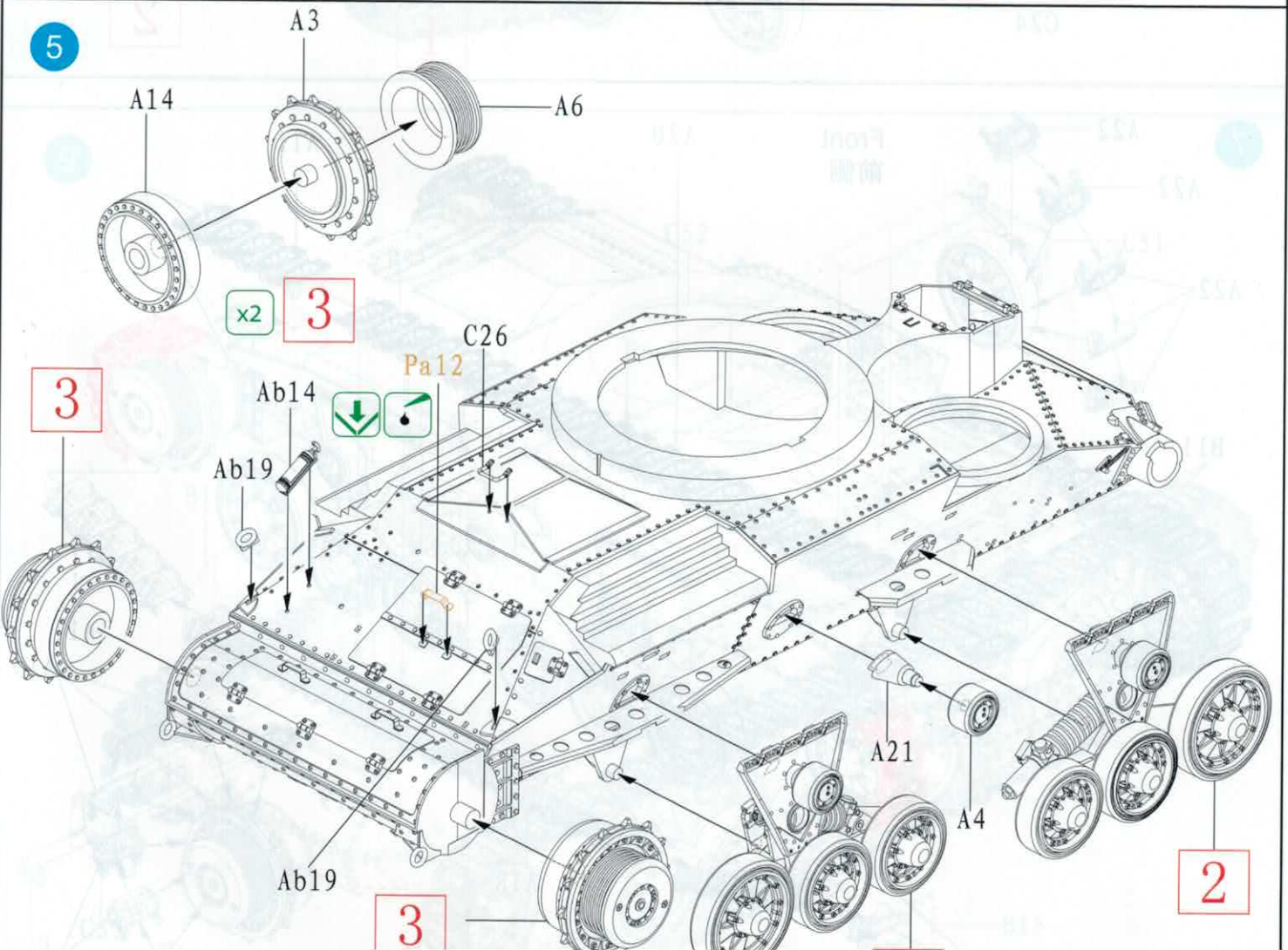
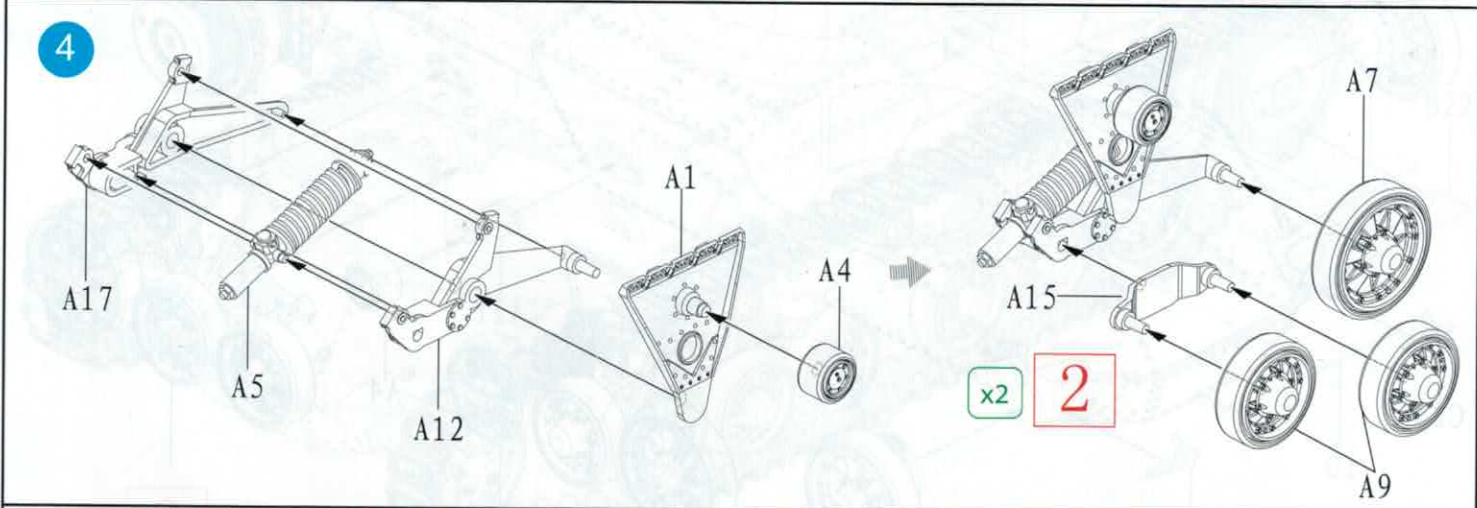
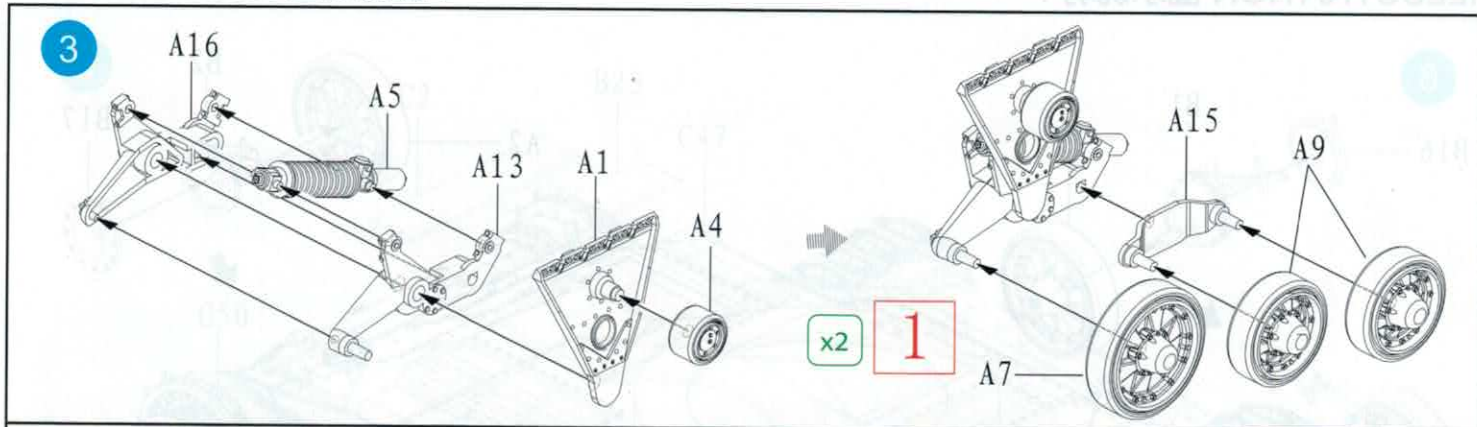


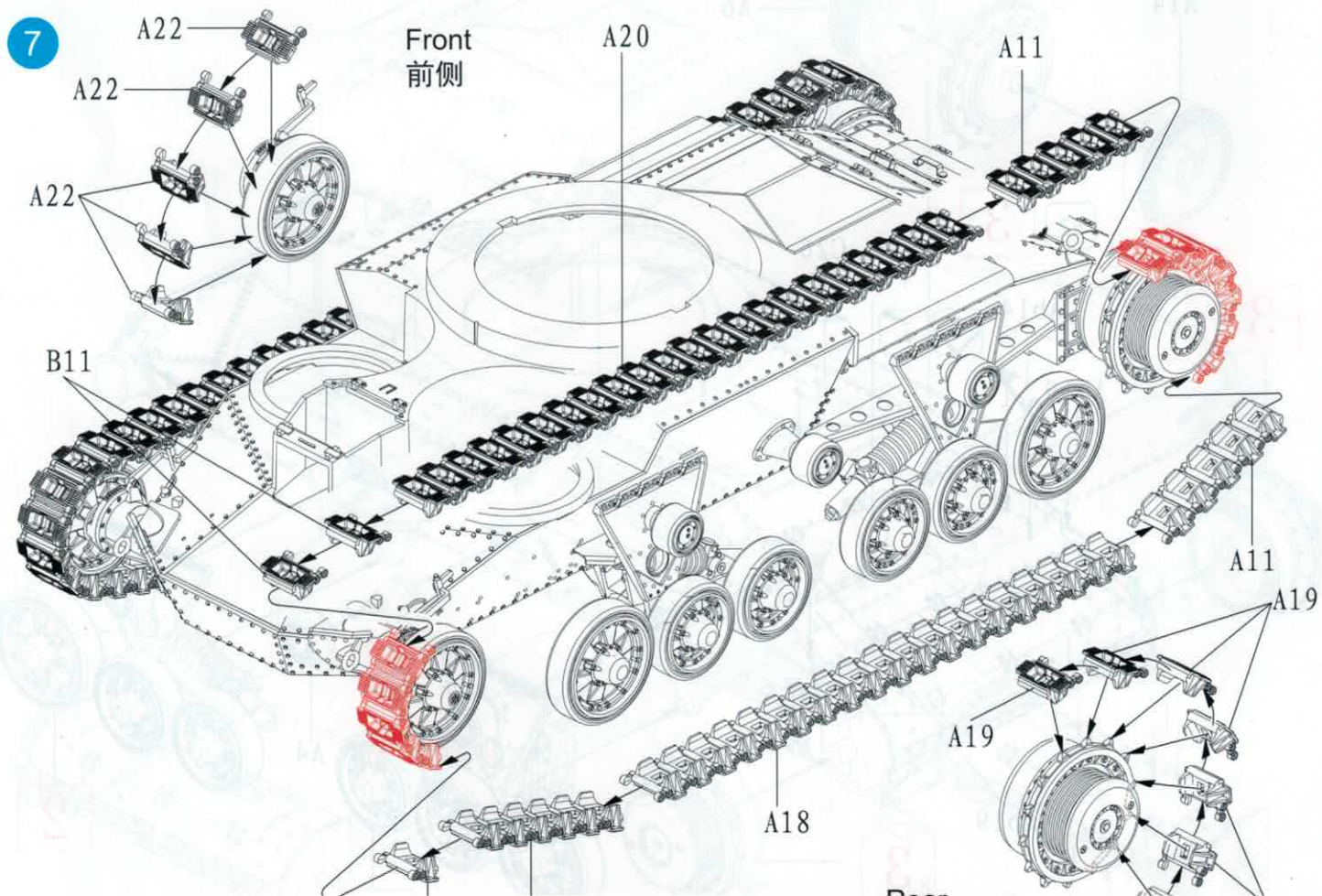
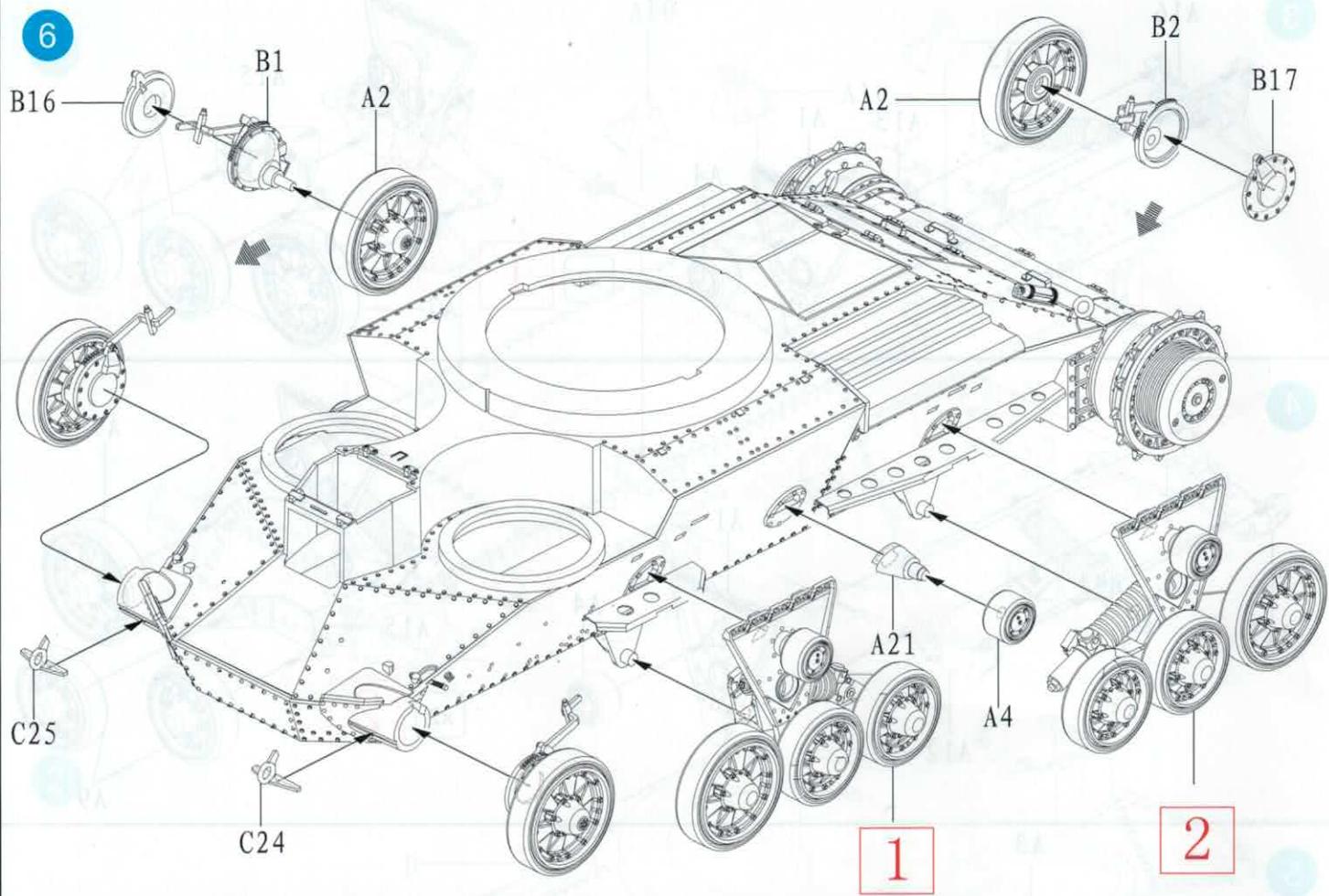
1



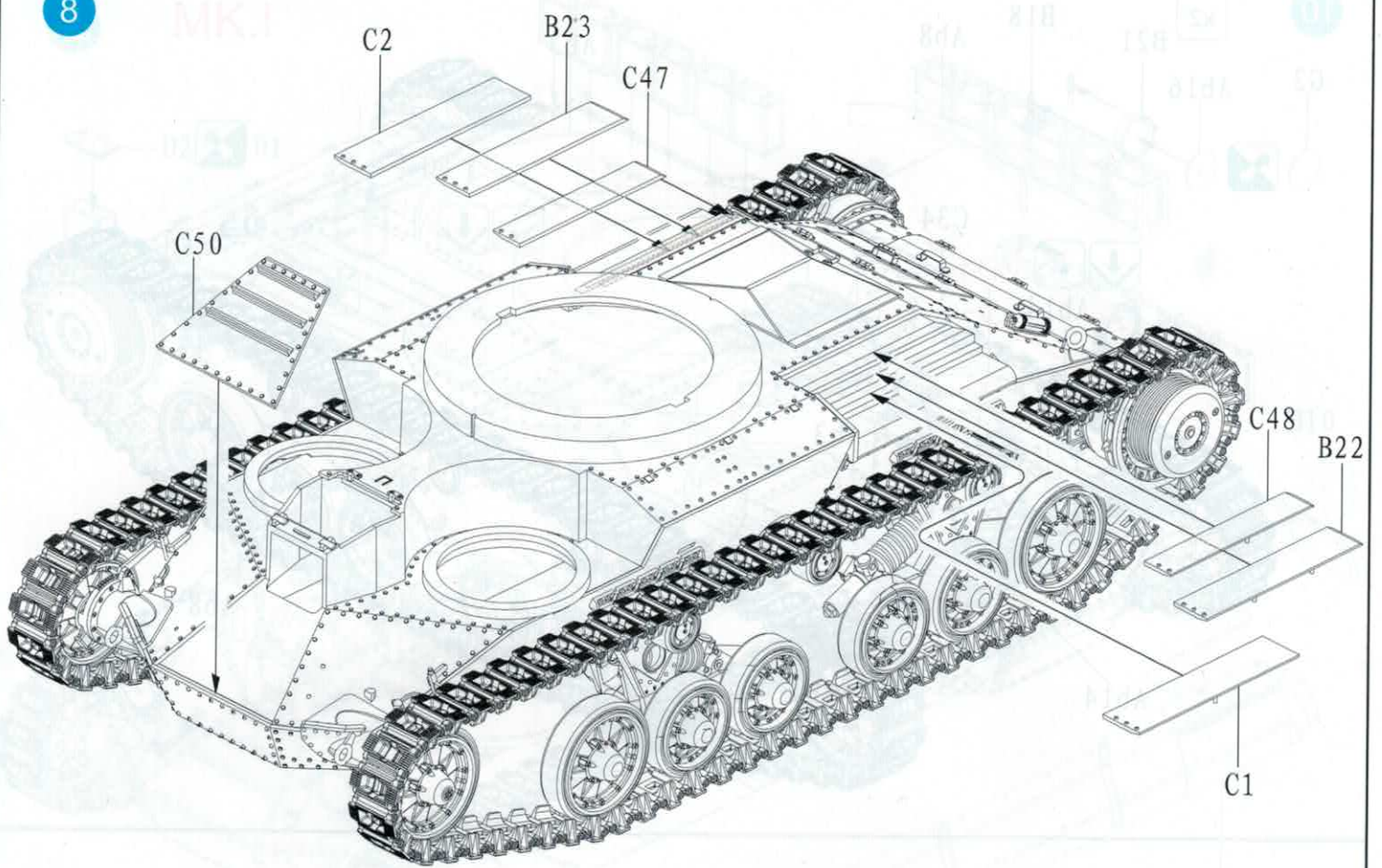
2



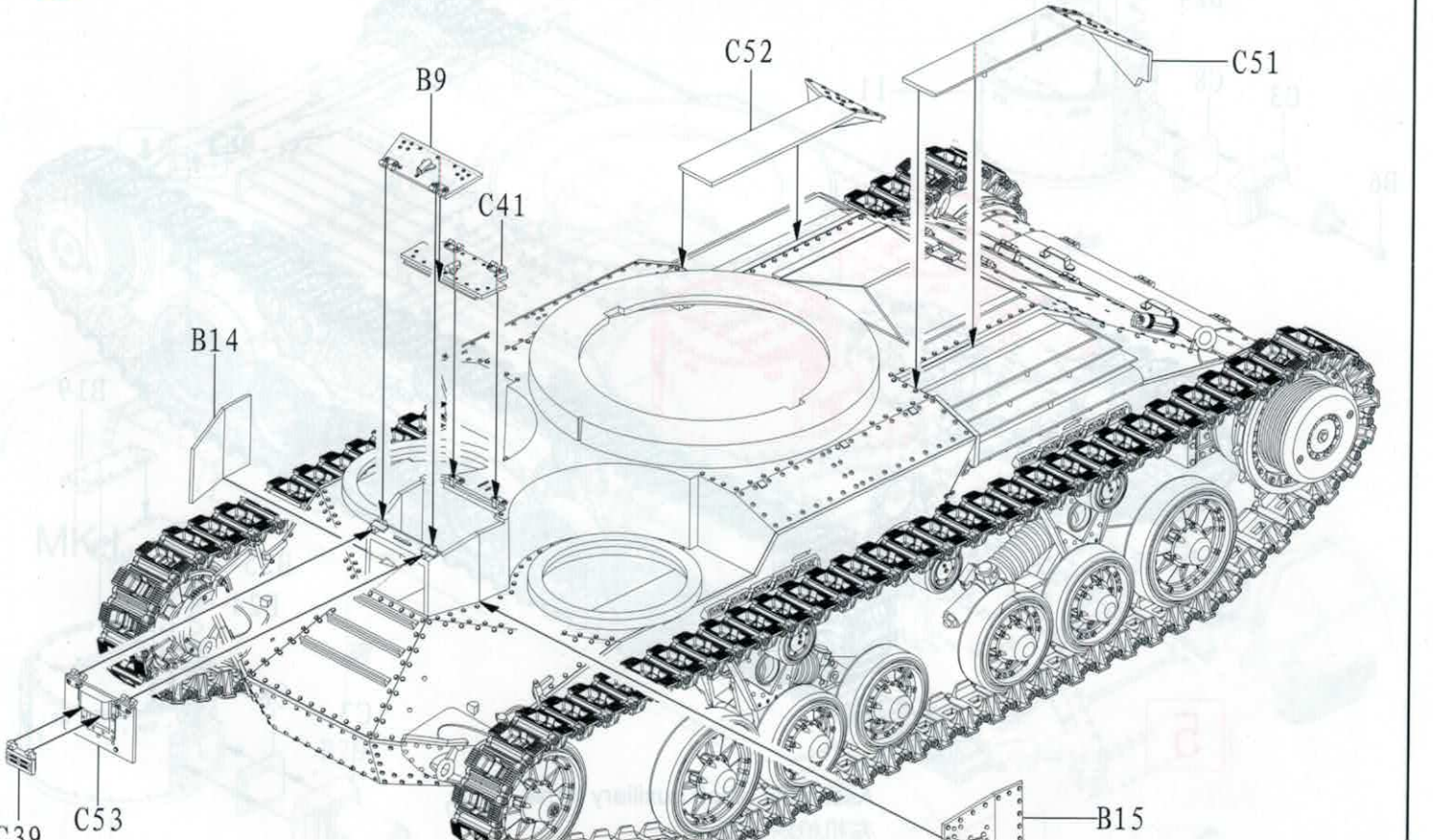


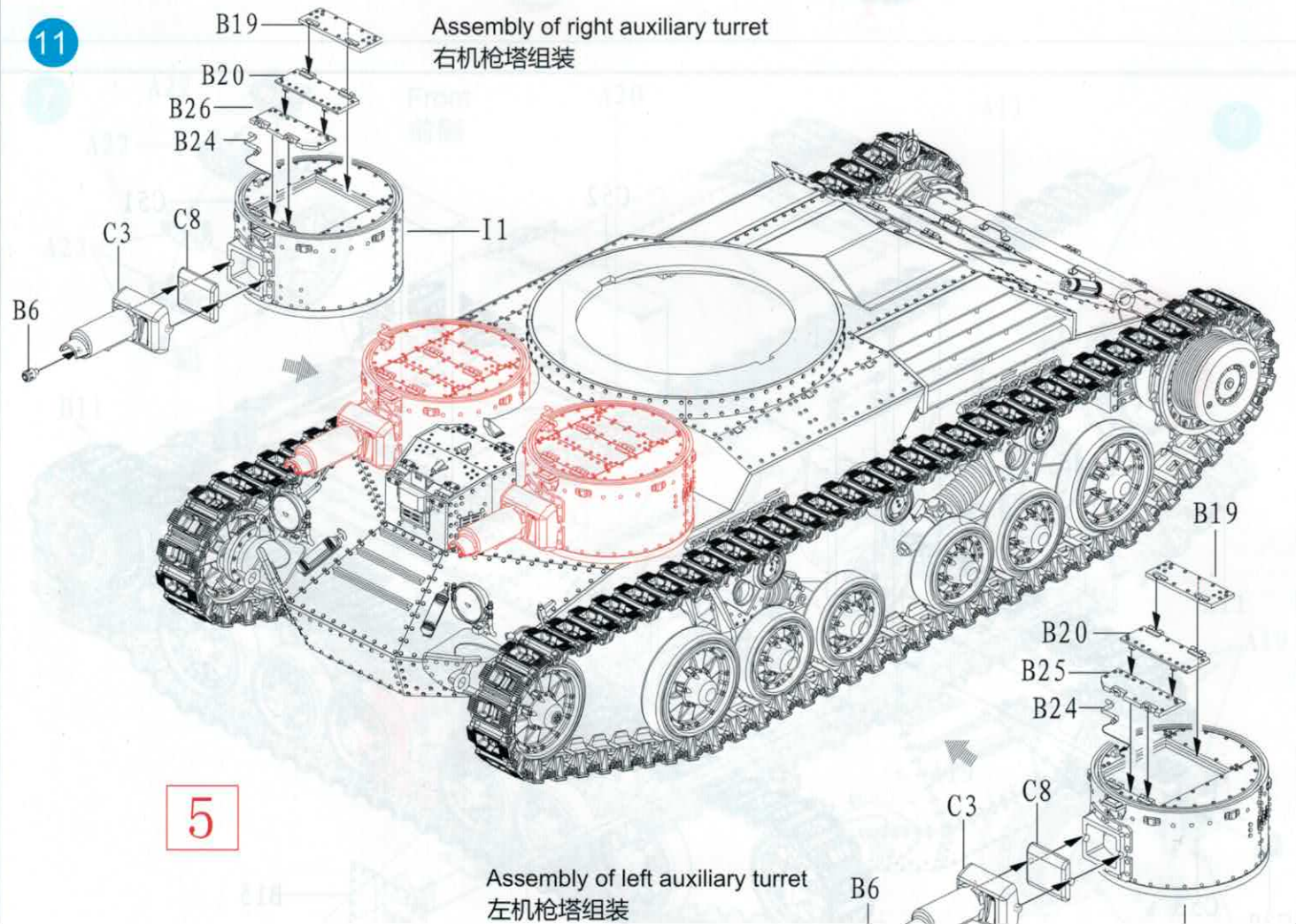
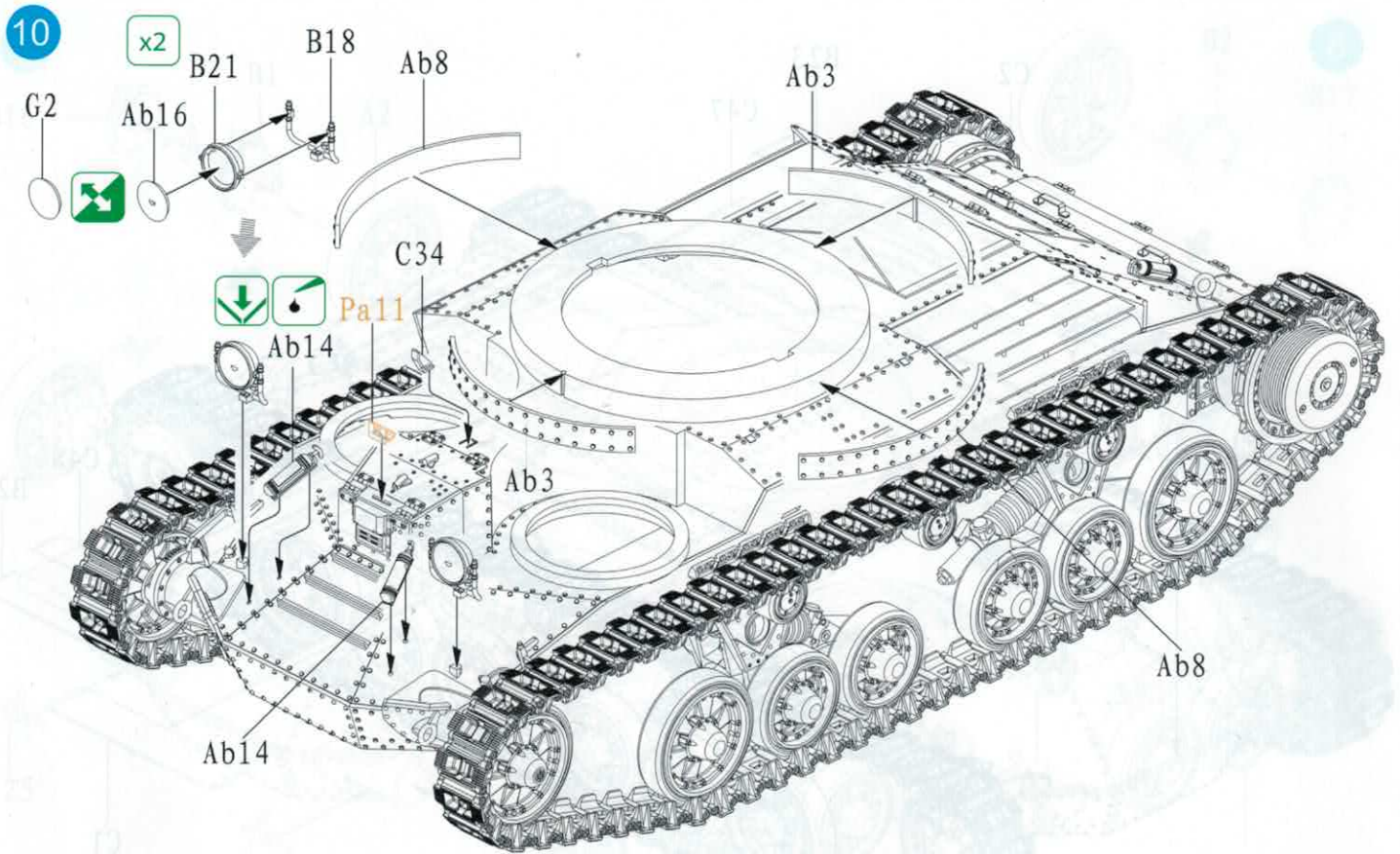


8

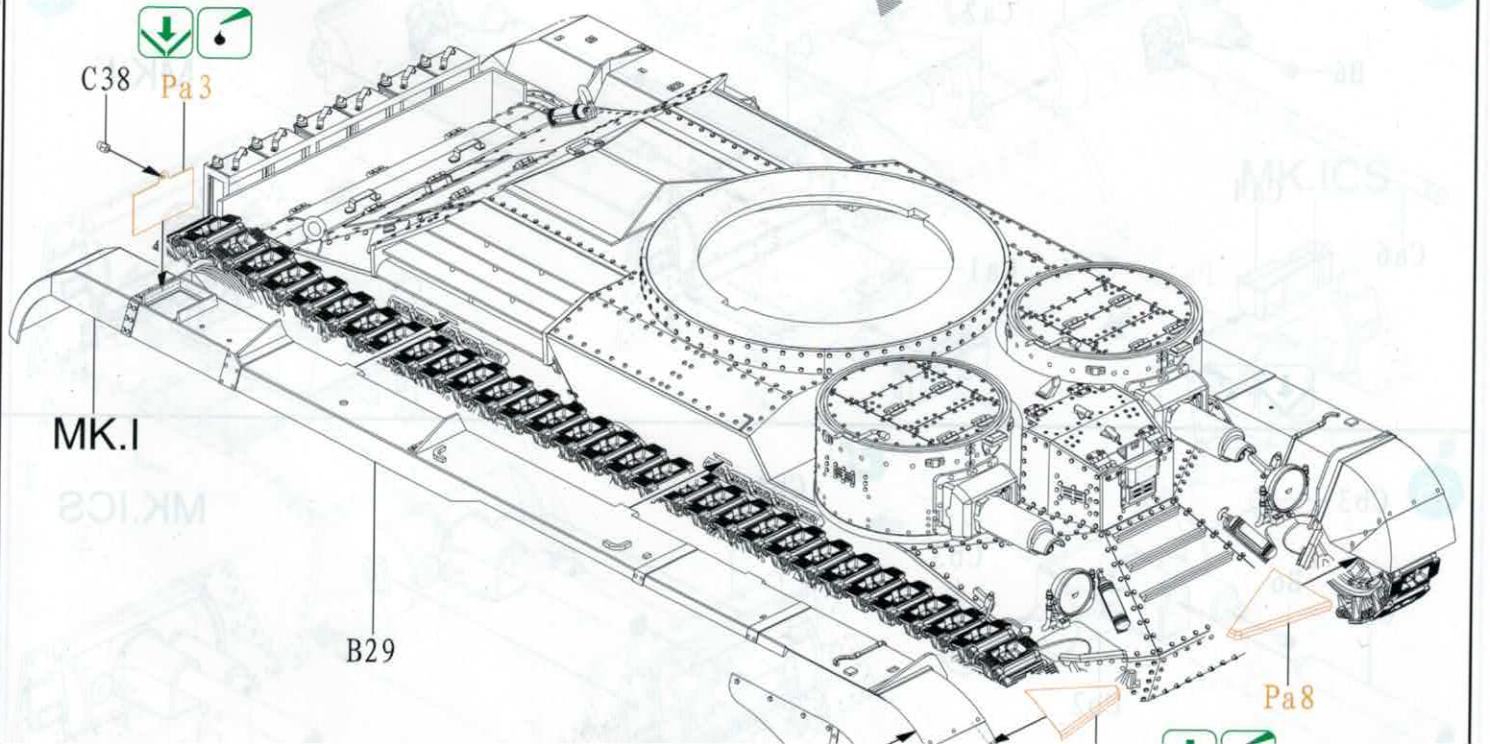
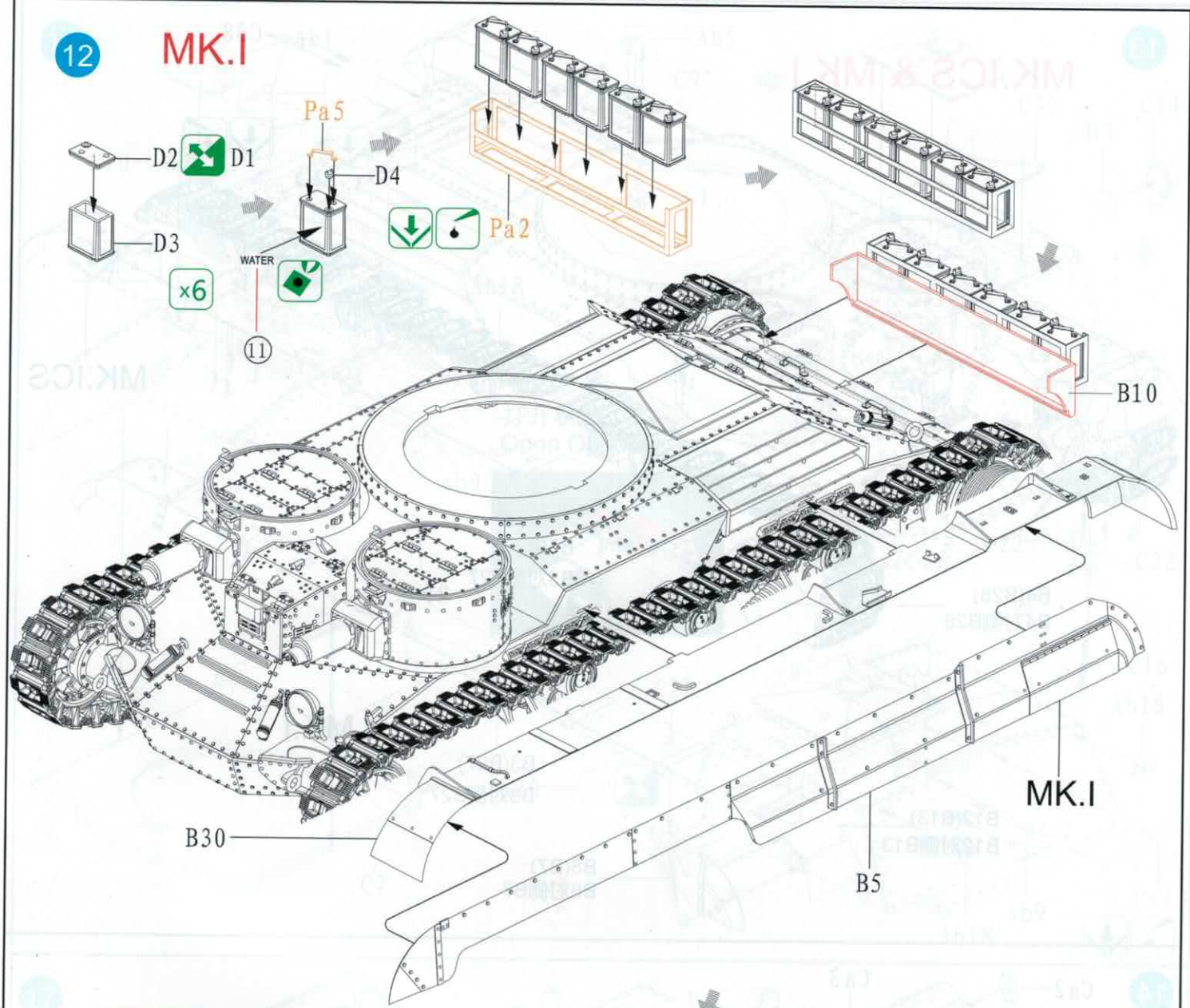


9



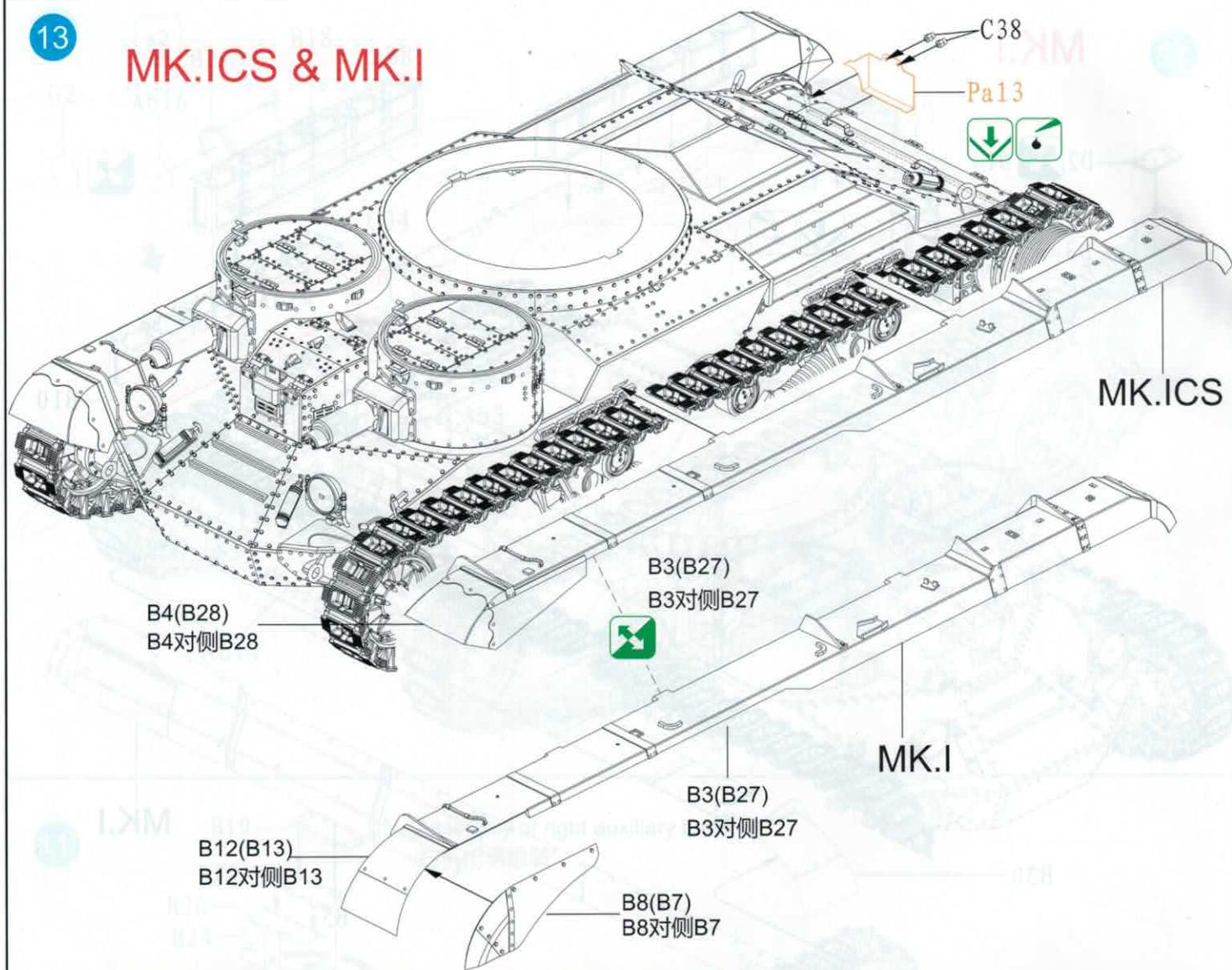


12 MK.I

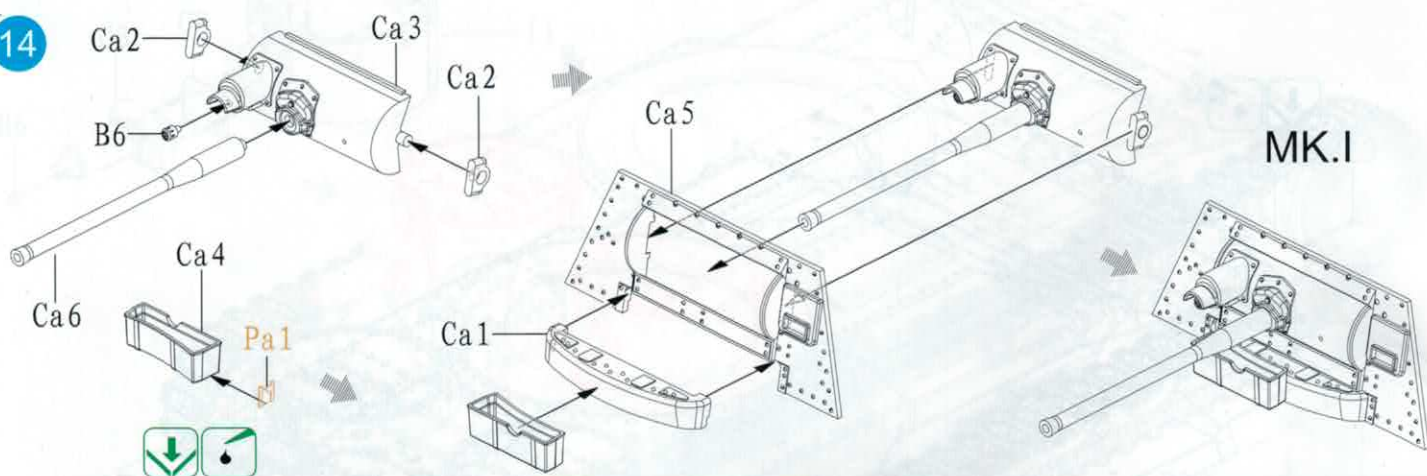


13

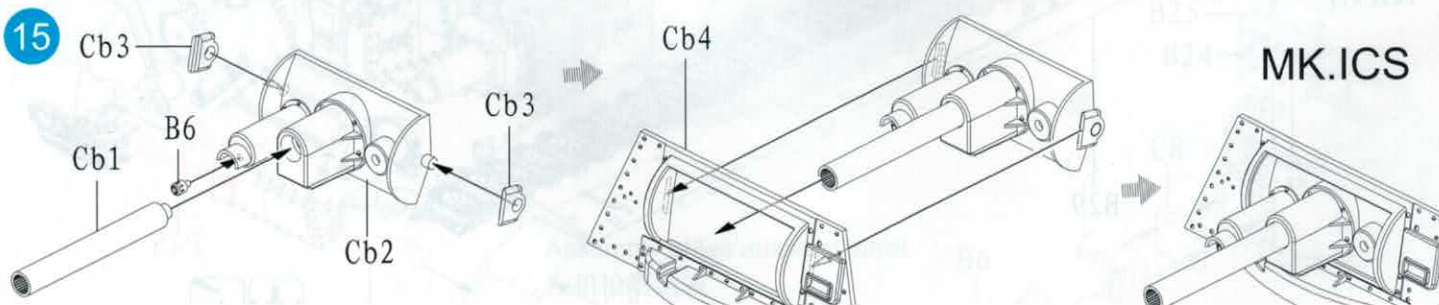
MK.ICS & MK.I

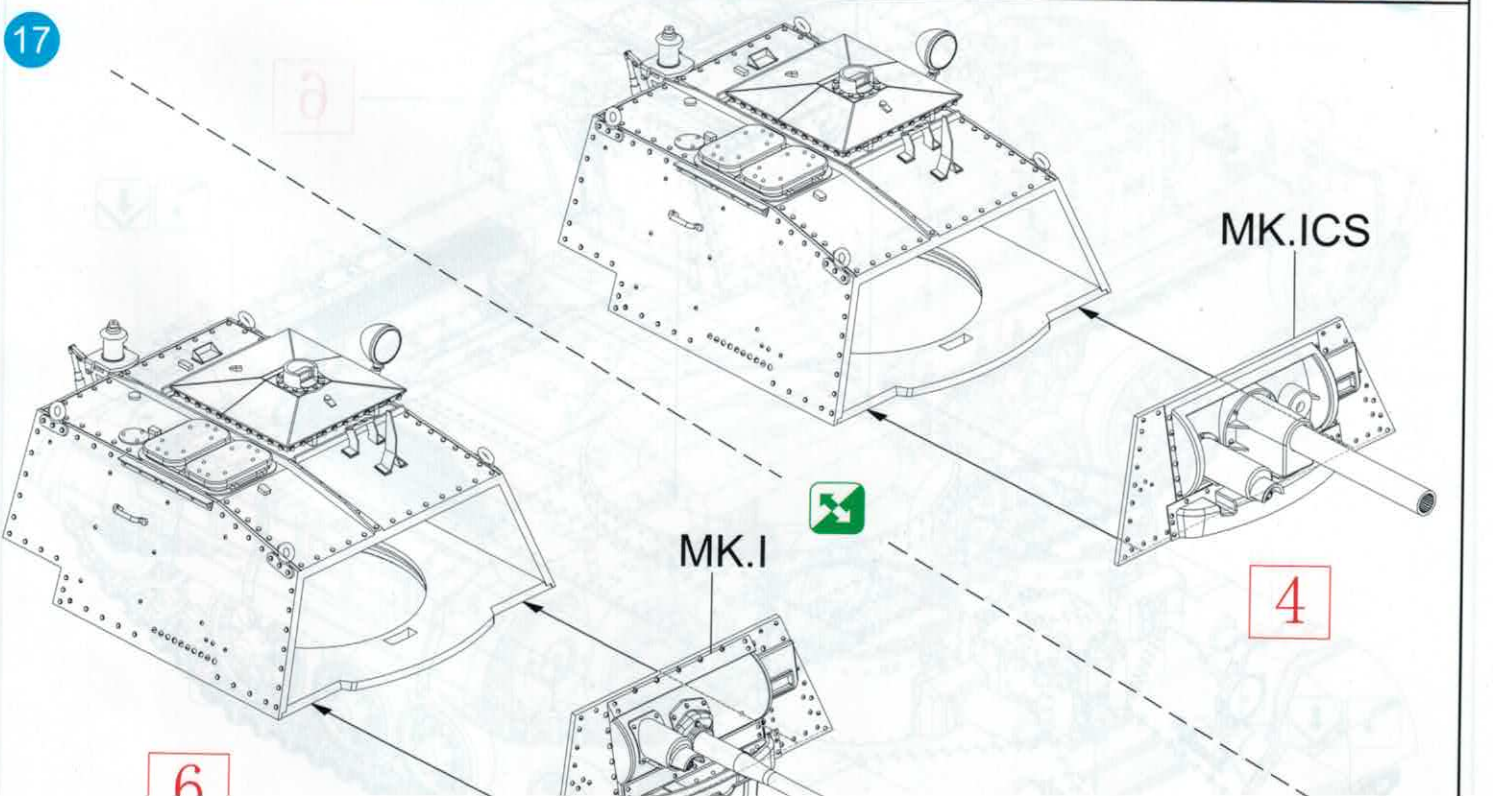
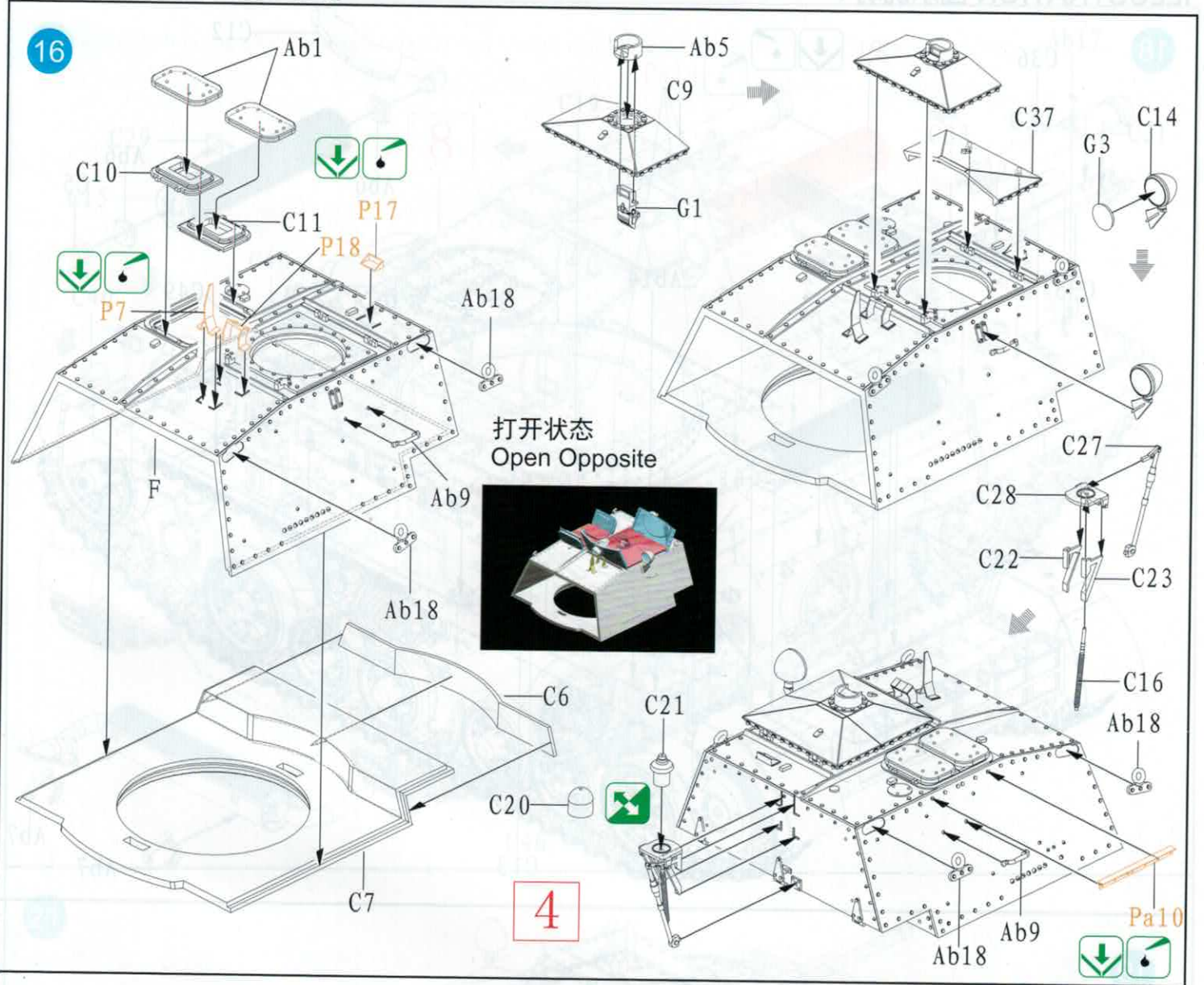


14

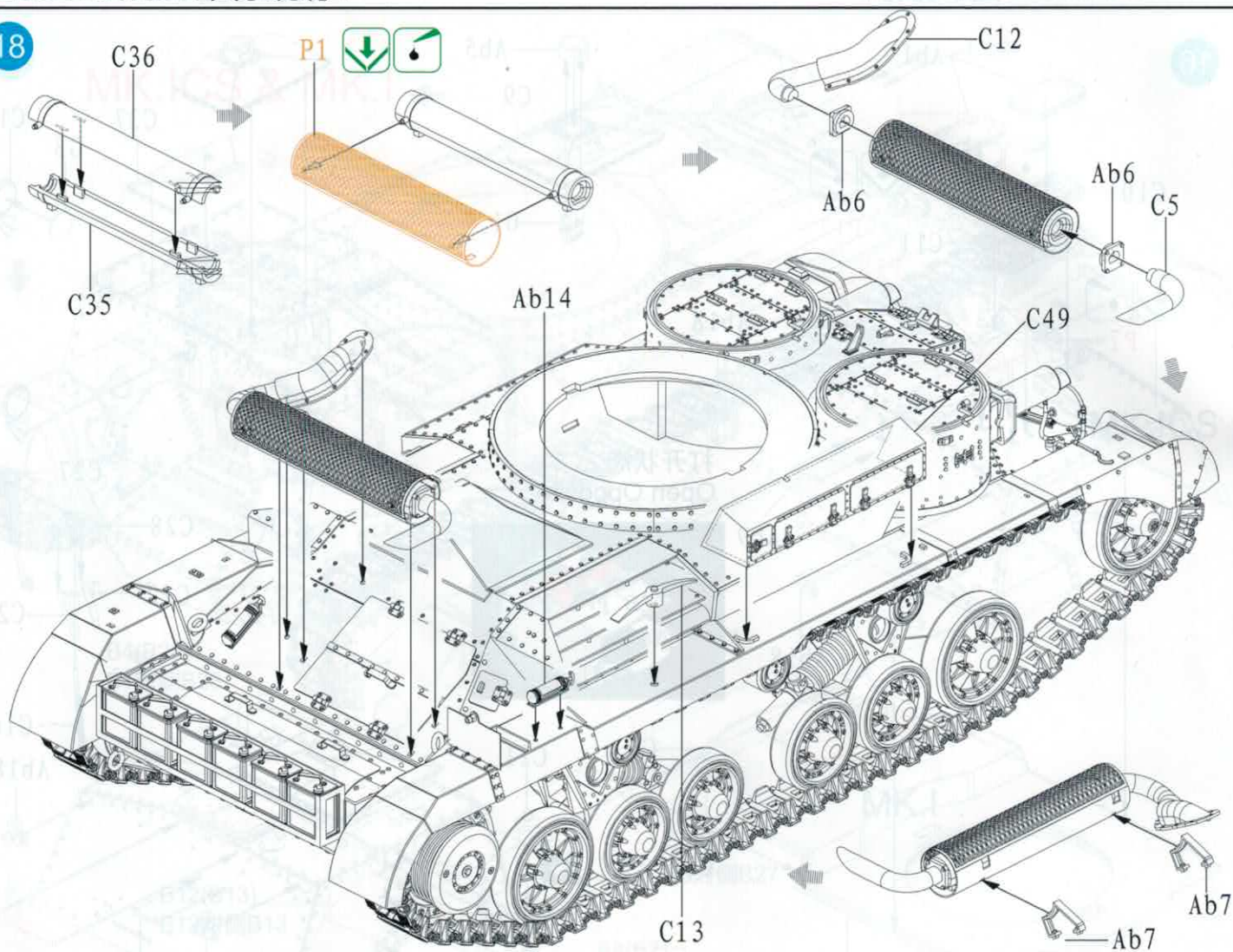


15

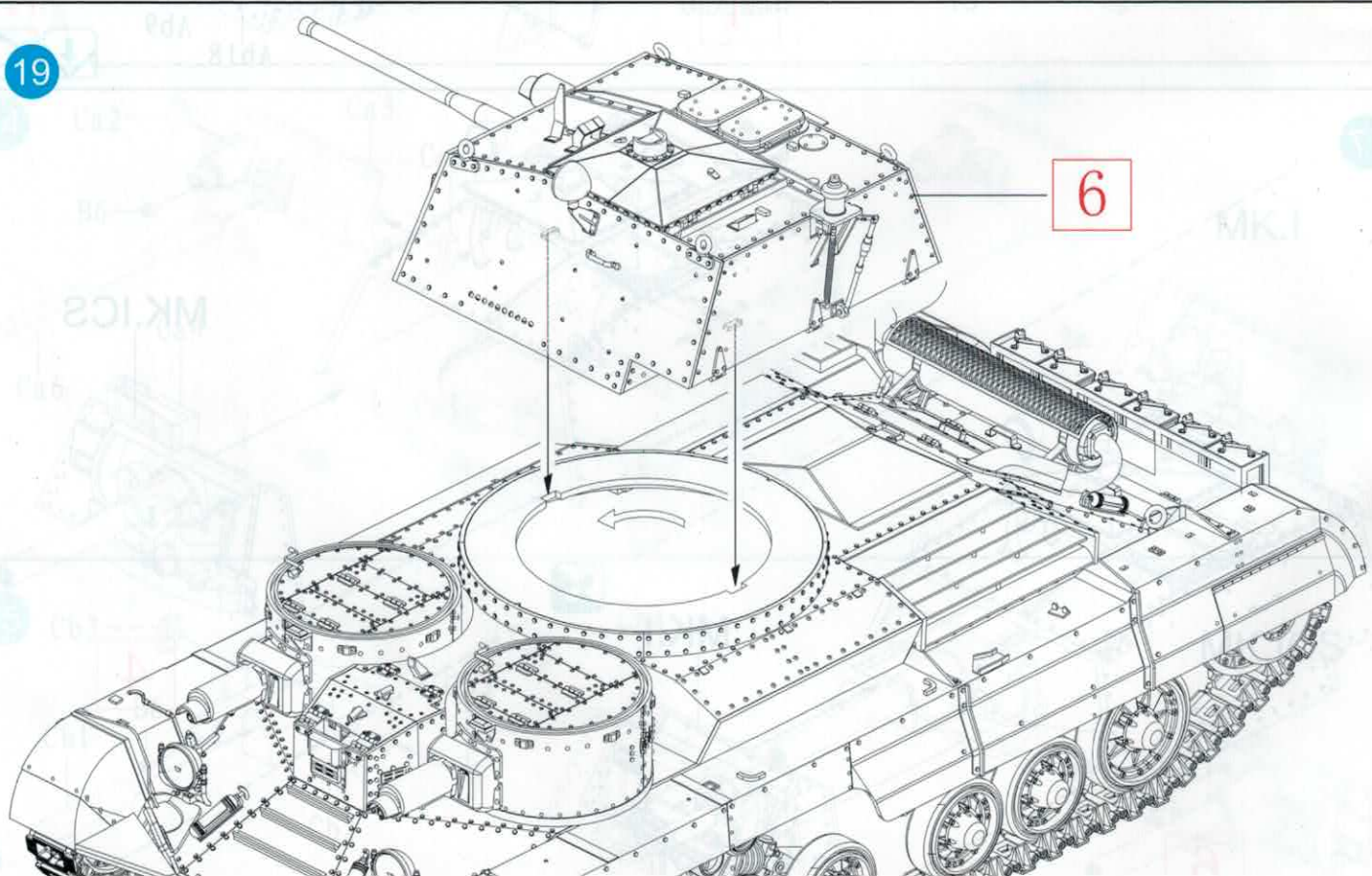




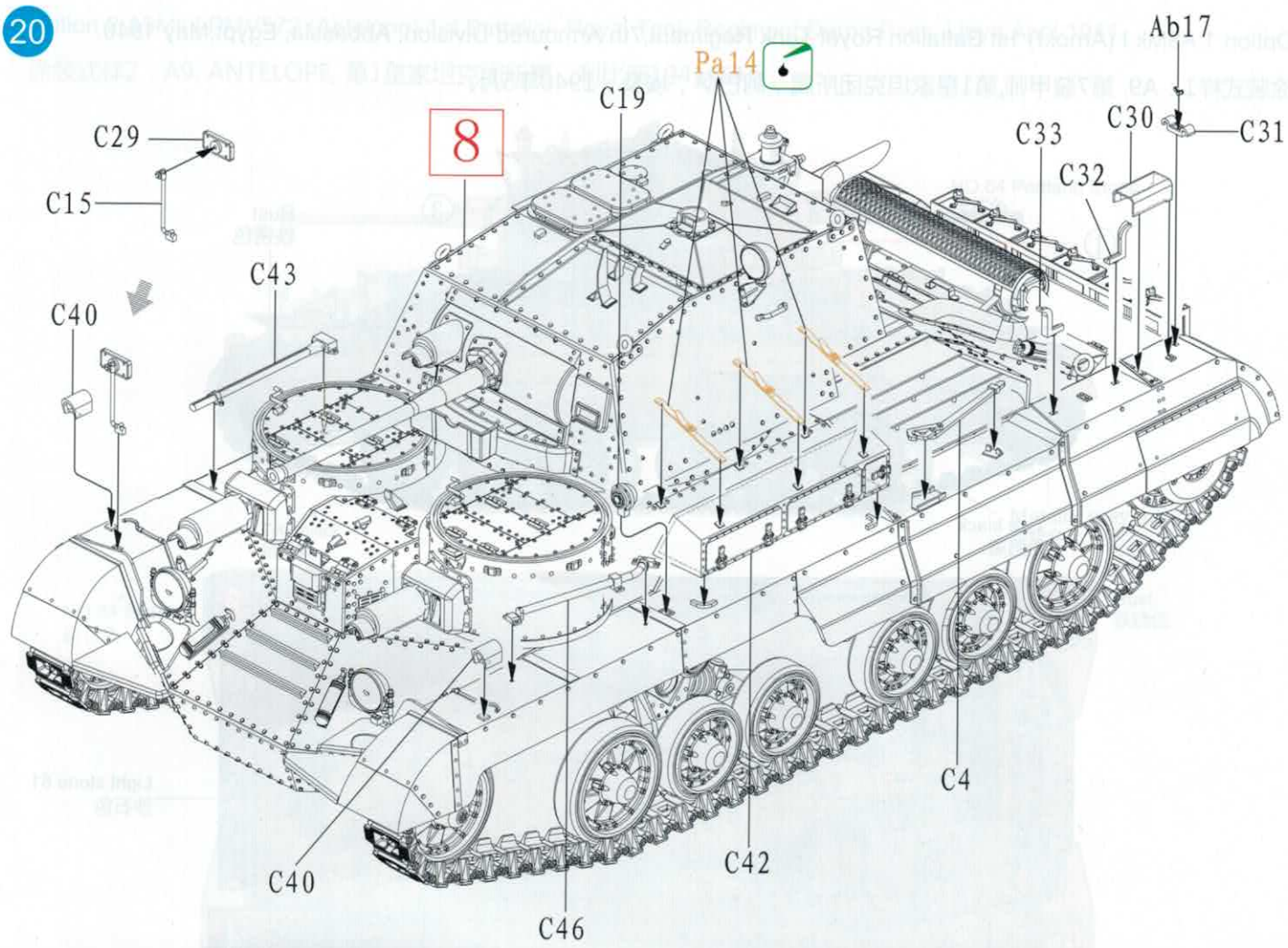
18



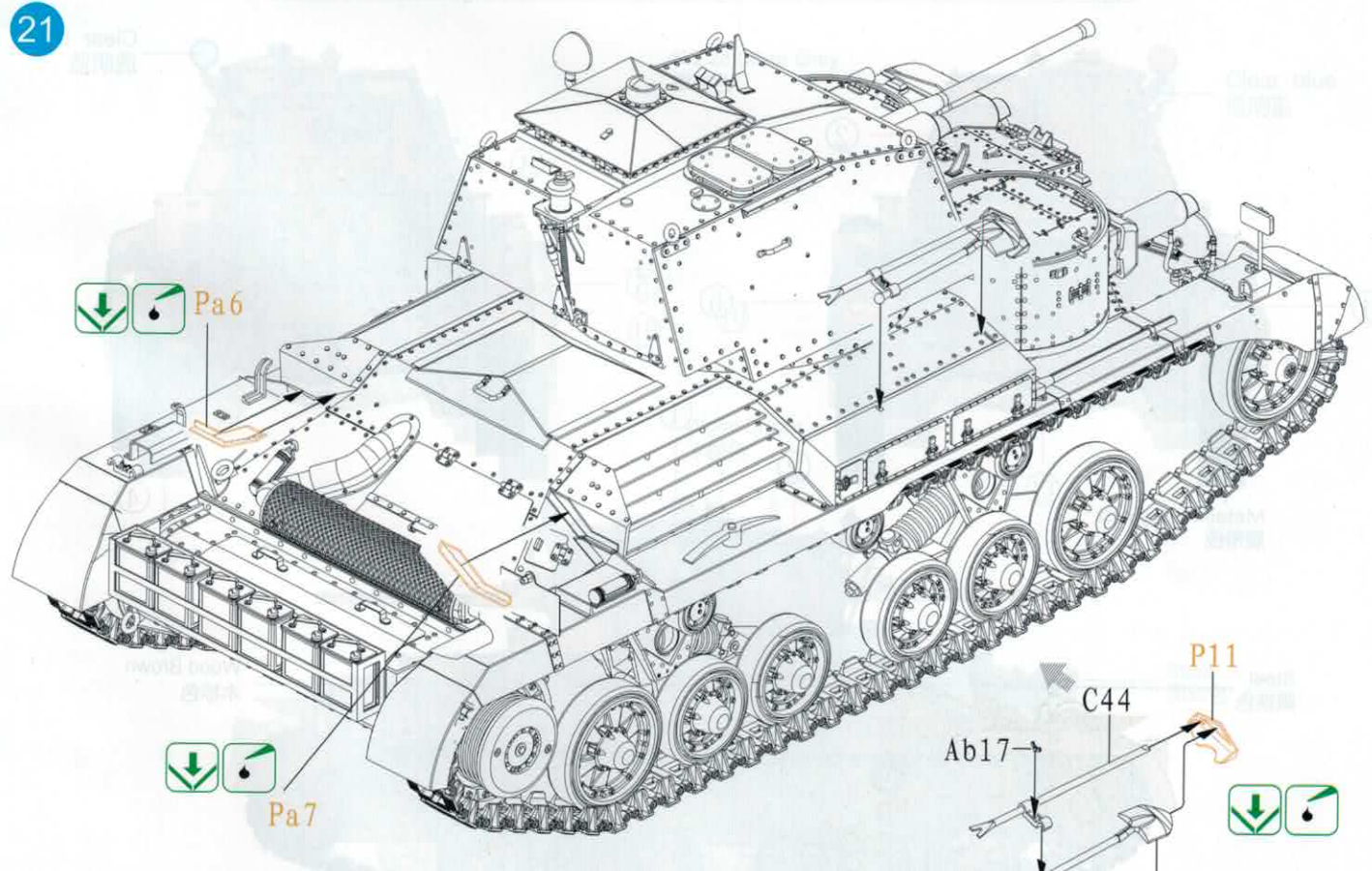
19



20



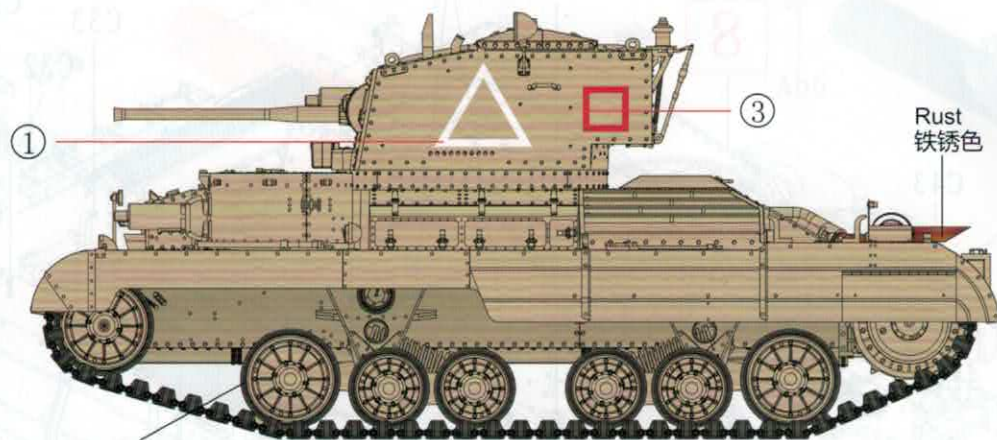
21



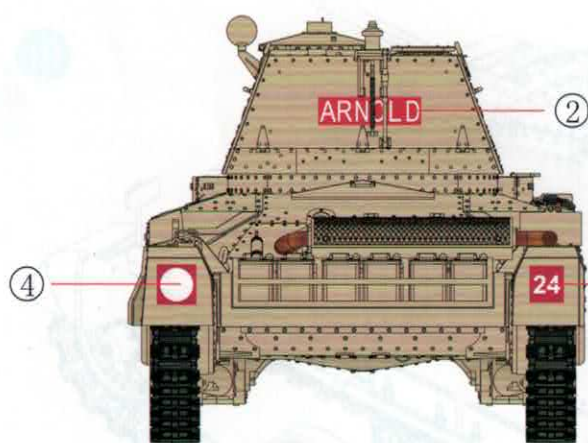
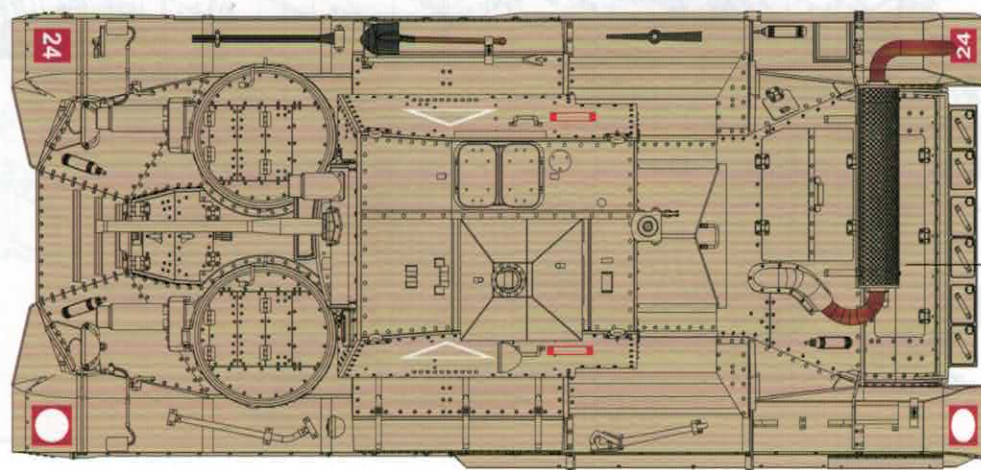
DECAL&COLOUR GUIDE 水贴及涂色指示：

Option 1:A9Mk.I (Arnold) 1st Battalion Royal Tank Regiment,7th Armoured Division, Abbassia, Egypt,May 1940.

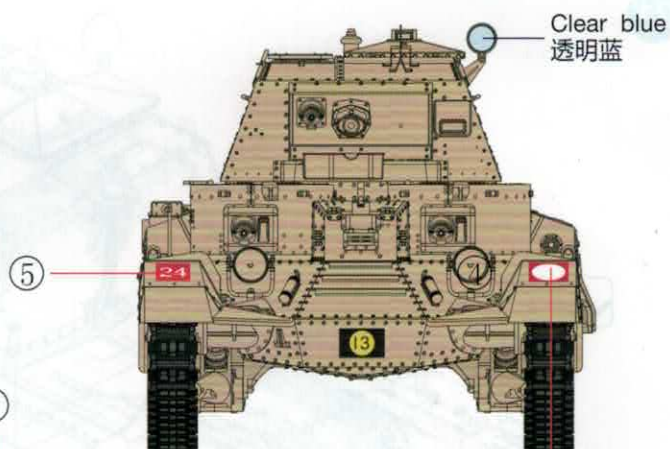
涂装式样1：A9，第7装甲师，第1皇家坦克团所属，阿巴萨，埃及，1940年5月。



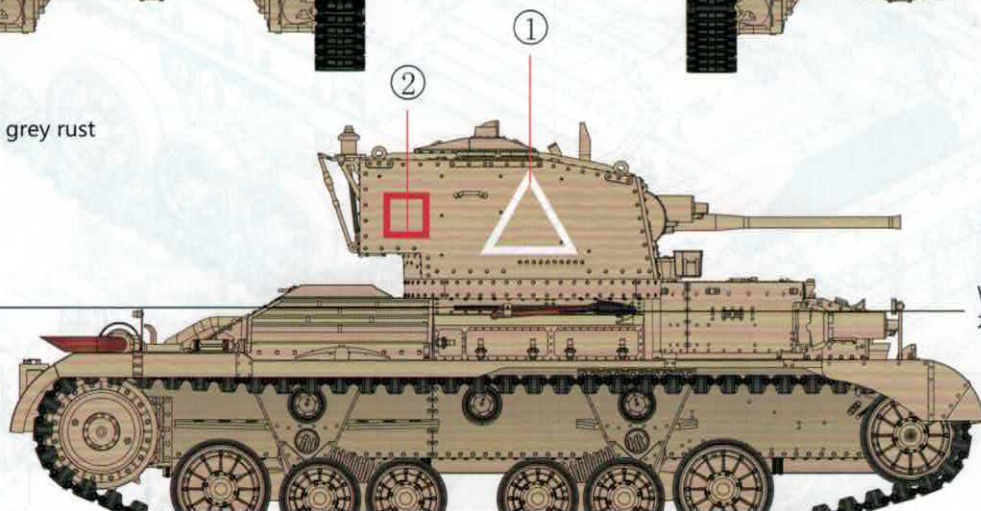
Rust
铁锈色



Metallic grey rust
履带色



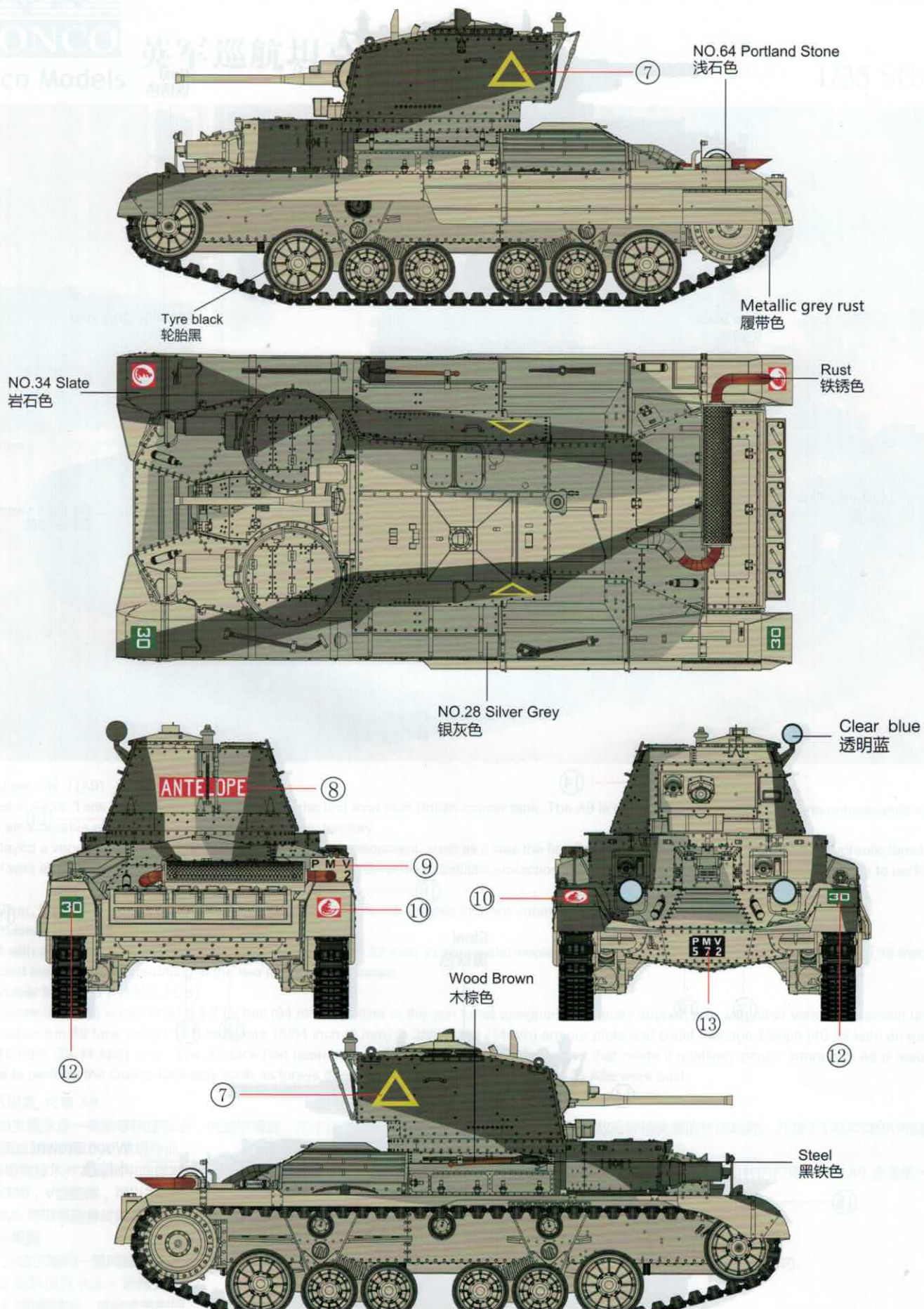
Steel
黑铁色



DECAL & COLOUR GUIDE 水贴及涂色指示 :

Option 2: A9Mk.I PMV572 (Antelope) 1st Battalion Royal Tank Regiment, Derna Pass, Libya, April 1941.

涂装式样2 : A9, ANTELOPE, 第1皇家坦克团所属, 利比亚1941年4月。



DECAL&COLOUR GUIDE 水贴及涂色指示：

Option 3:A9CS Mk.I T7245, HQ,A Squadron,3rd Battalion Royal Tank Regiment, 2nd Tank Brigade,
1st Armoured Division,Calais,France,May 1940.

涂装式样3：A9CS, T7245 第1装甲师,第2坦克旅，第3皇家坦克团，HQ,A中队所属，法国加来，1940年5月。

